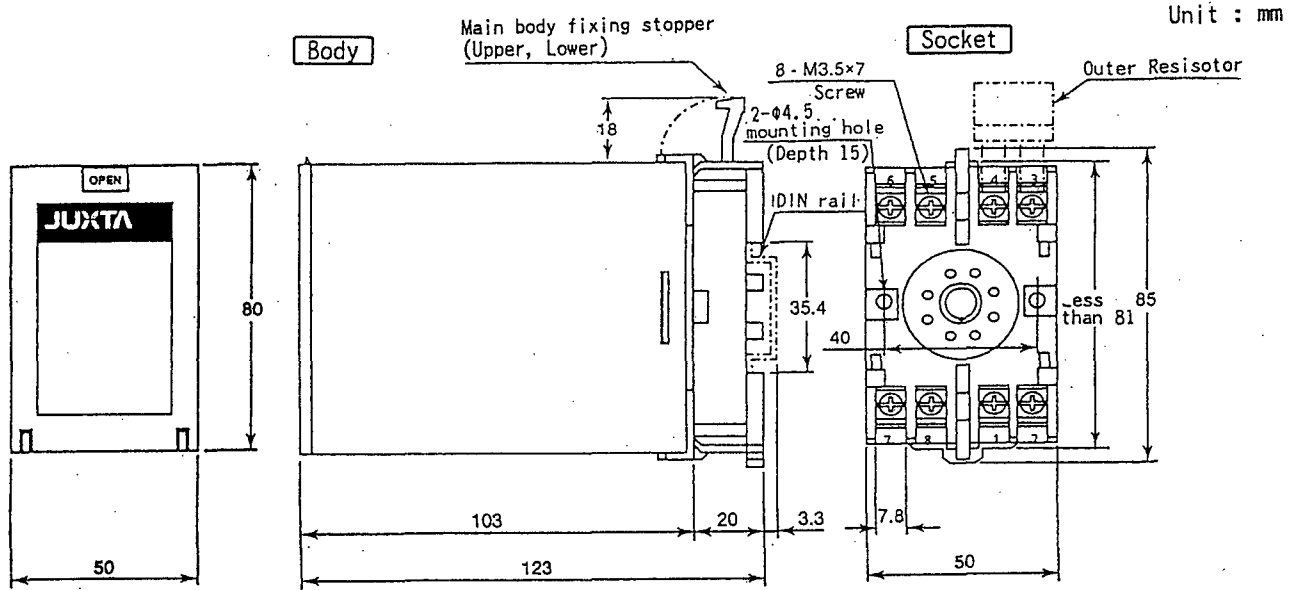
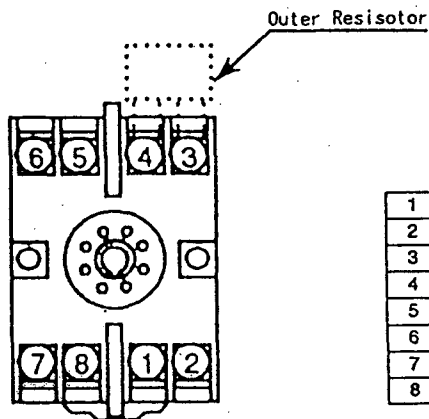


EXTERNAL DIMENSION



TERMINAL ARRANGEMENT



1	OUTPUT	(+)
2	OUTPUT	(-)
3	INPUT	(+)
4	INPUT	(-)
5		
6	GND	
7	SUPPLY	(L+)
8	SUPPLY	(N-)