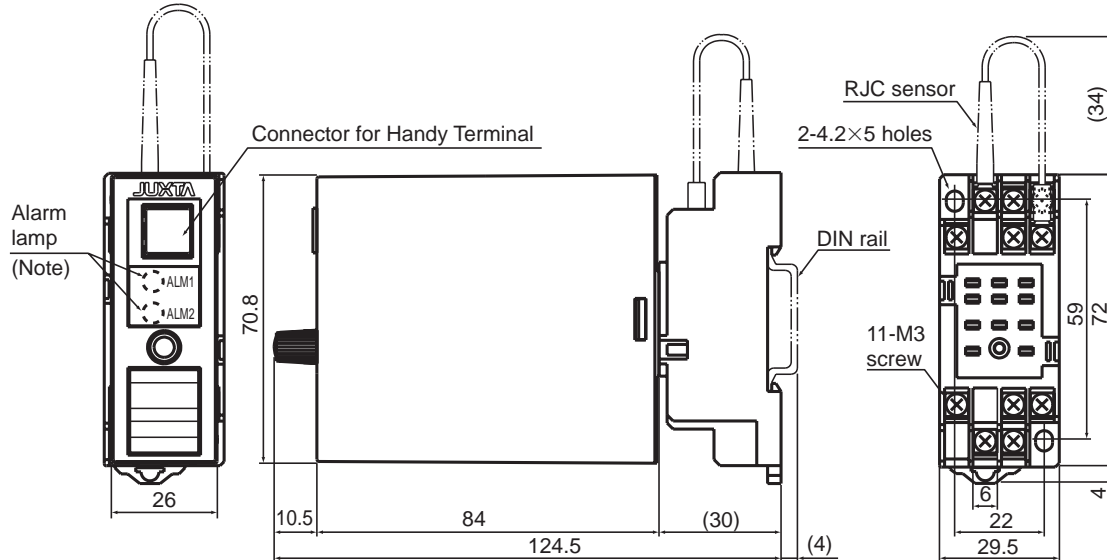


SD 77J01U07-01E

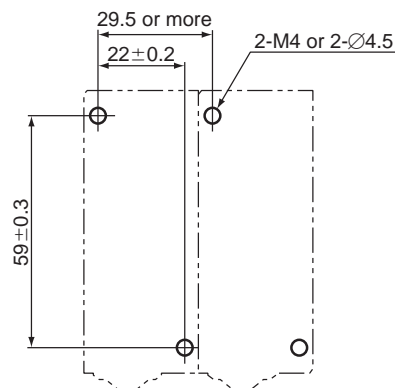
Unit: mm

External Dimensions

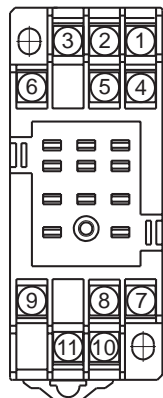


Note : Only when output-2 is alarm output

Mounting Dimensions



Terminal Arrangement



Terminal No.	Signal	Thermocouple	RTD	mV input	Output-2 Analog output	Output-2 Communication output	Output-2 Alarm output
1	Input	(+)	(A)	(+)	←	←	←
2	Output-2	→	→	→	(+)	B (+)	ALM1
3	Input	(-) [RJC]	(B)	(-)	←	←	←
4	Input	→	(B)	N.C.	←	←	←
5	Output-2	→	→	→	(-)	A (-)	COM
6	Output-2	→	→	→	N.C.	COM	ALM2
7	Output-1	(+) →					
8	GND	GND →					
9	Output-1	(-) →					
10	Supply	(L+) →					
11	Supply	(N-) →					

Note : In case of one output type, output-2 is N.C.