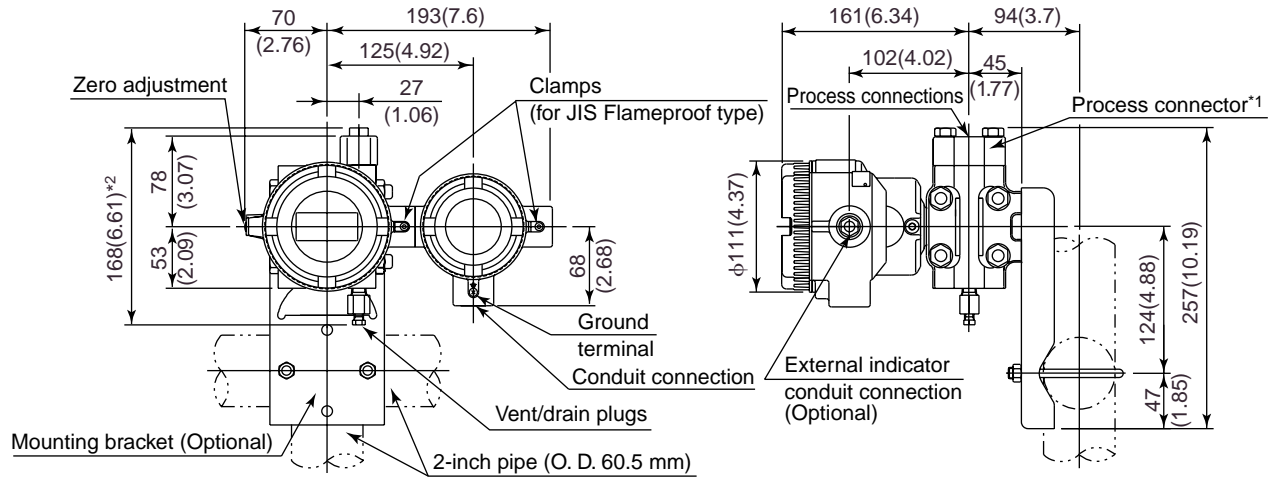
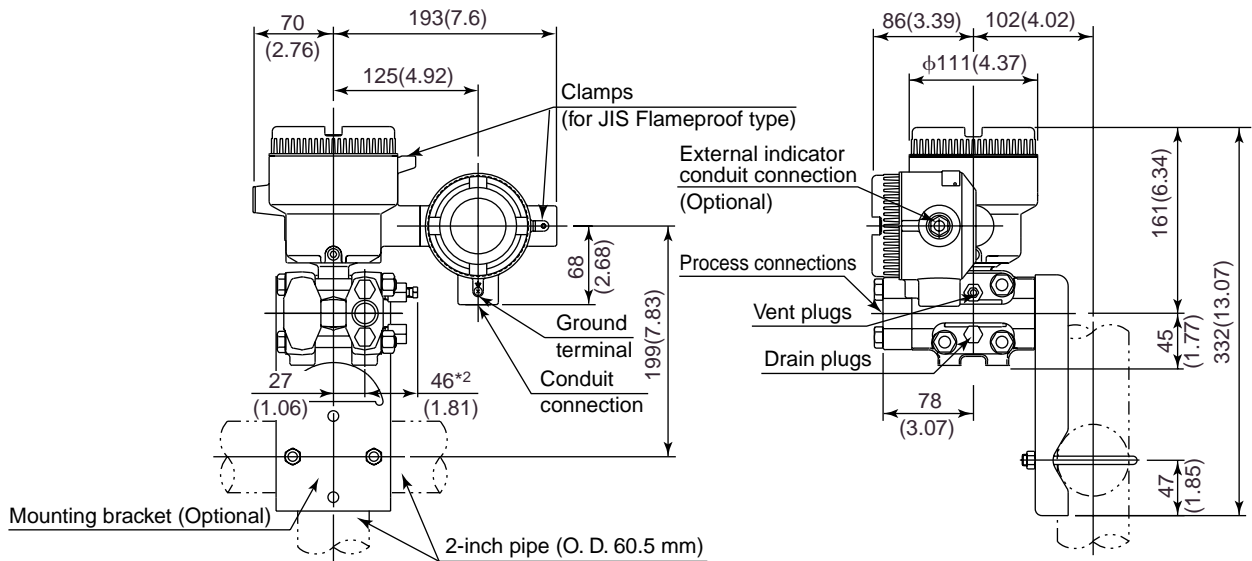


### ● Vertical Impulse Piping Type

Unit: mm (approx. inch)



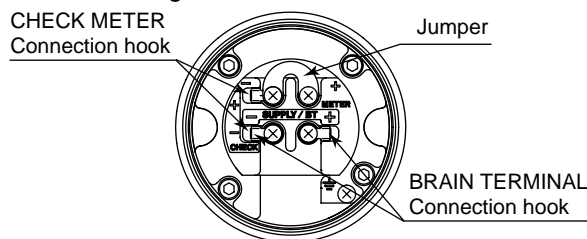
### ● Horizontal Impulse Piping Type



\*1: When Installation code 1 is selected, the positions of process connectors and vent/drain plugs on above figure are reversed. (i.e. the process connectors are at the downside)

\*2: When Optional code K1 or K2 is selected, add 10 mm(0.39 inch) to the value in the figure.

### ● Terminal Configuration



### ● Terminal Wiring

SUPPLY/BT $\begin{smallmatrix} + \\ - \end{smallmatrix}$	Power supply and output terminal
METER $\begin{smallmatrix} + \\ - \end{smallmatrix}$	External indicator(ammeter) terminal
$\text{---} \perp$	Ground terminal