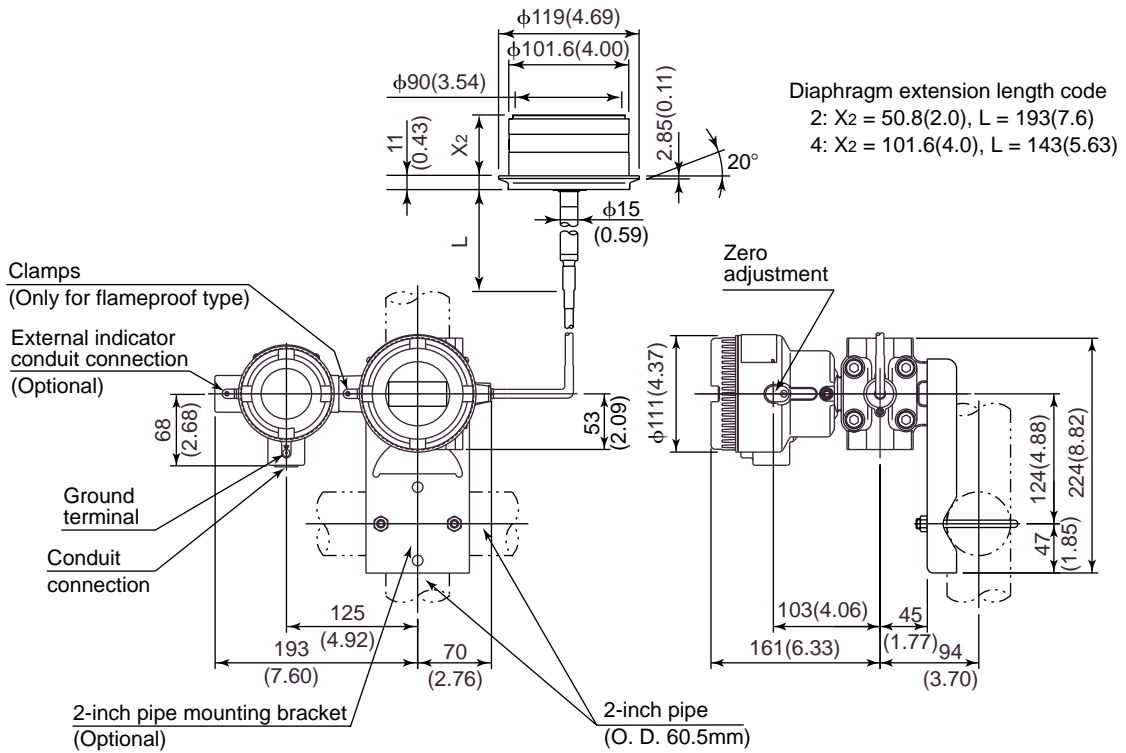


Drawings

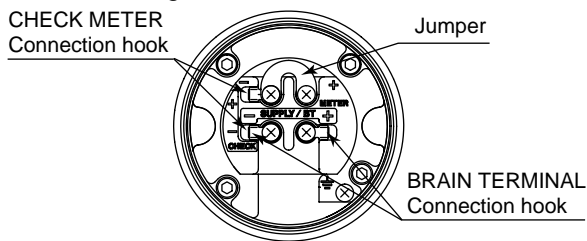
Model EJ438NS Sanitary Type Gauge Pressure Transmitter (Left Side Terminal Box)

DP *harp*

Unit: mm (approx. inch)



● Terminal Configuration



● Terminal Wiring

| | |
|--|--------------------------------------|
| SUPPLY/BT $\begin{matrix} + \\ - \end{matrix}$ | Power supply and output terminal |
| METER $\begin{matrix} + \\ - \end{matrix}$ | External indicator(ammeter) terminal |
| — — | Ground terminal |