

Drawings

EJX310A Absolute Pressure Transmitter Universal Flange

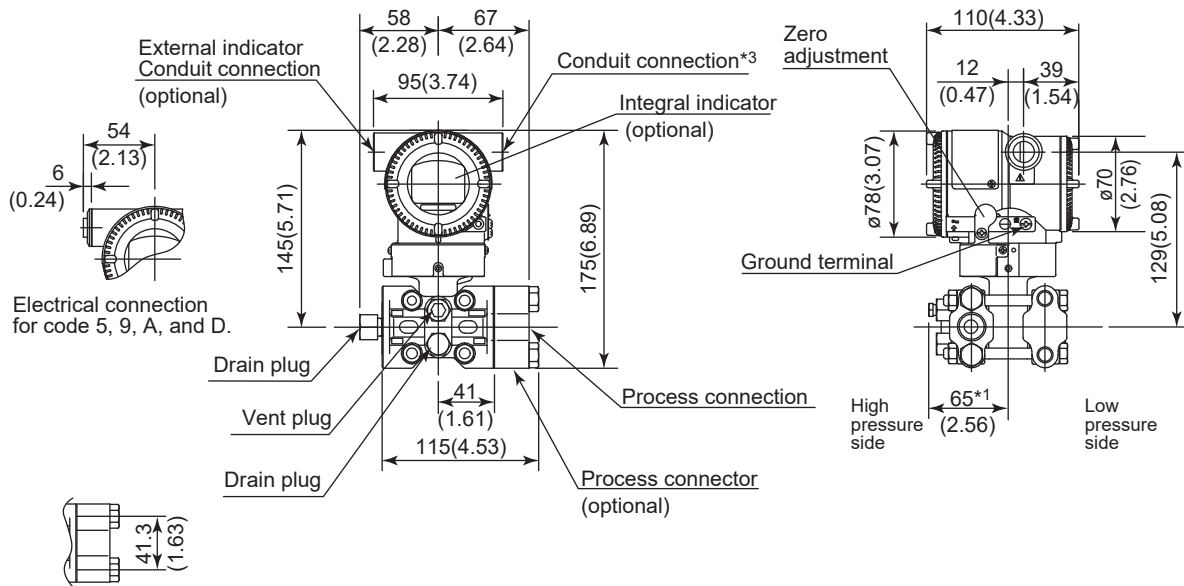
DP *harp* EJX™

SD 01C25D01-05E

[Style: S2]

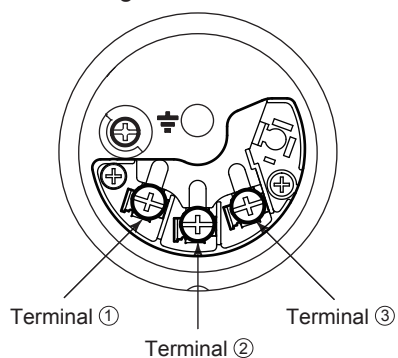
Unit: mm (approx. inch)

● Universal Flange (Installation code U)



- *1: When Option code K1, K2, K5, K6, K41, K42, K45, or K46 is selected, add 15 mm(0.59 inch) to the value.
- *2: When electrical connection code 7 or C is selected, a blind plug is protruded up to 8 mm from the conduit connection.
- *3: When option code PP is selected, a blind plug is attached to the conduit connection on both sides.

- Terminal Configuration



- Terminal Wiring

SUPPLY	+	①	Power supply and output terminals
	-	②	
CHECK	+	③	External indicator (ammeter) terminals*1*2
or	-	②	
ALARM	+	③	Status contact output terminals*2 (when /AL is specified)
	-	②	
			Ground terminal

*1: When using an external indicator or check meter, the internal resistance must be 10 Ω or less. A check meter or indicator cannot be connected when /AL option is specified.

*2: Not available for FOUNDATION Fieldbus and PROFIBUS PA communication types.