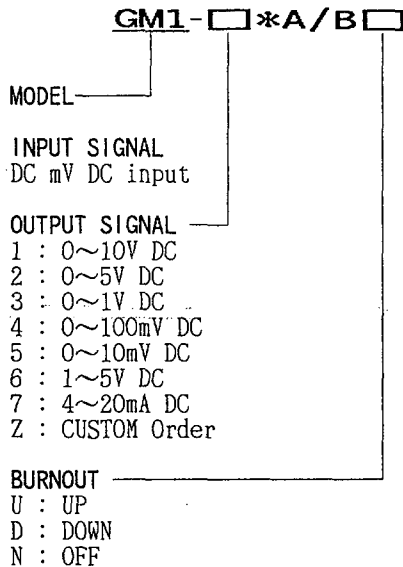


General Specifications

Model GM1
mV Transmitter

Scott

Model GM1 mV Transmitter inputs mV signal and converts it into various DC voltage signals or 4~20mA DC signal.



POWER SUPPLY
20~130V DC/80V~130V AC
AC/DC use

ORDERING INFORMATION	
● Model Code	: (Example) GM1-1*A/BU
● Input	: (Example) 0~50mV DC

RELATED EQUIPMENT	
● HB Type Transmitter Storing Box	

Input & Output	
Input signal	: DC mV DC input
Measuring range	: -50~+150mV DC
Input resistance	: 1MΩ (4kΩ when power OFF)
Zero elevation	: Within ±50mV Within 3 times of measuring span
Span	: 3~100mV DC (Standard span is more than 10mV)
Input outer resistance	: Less than 500Ω
Permissible applicable voltage	: Less than 4V
Output signal	: DC current or voltage signal
Zero adjust range	: ±5% of span
Span adjust range	: ±10% of span
Standard Performance	
Accuracy rating	: ±0.1% of span
Response speed	: 150ms 63% response (10~90%)
Burnout	: Yes (select UP, DOWN, OFF) Burnout time is less than 60 seconds
Insulation resistance	: More than 100MΩ (at 500V DC) between input~output~power supply~ground
Withstand voltage	: 1000V AC/minute between input~ output~power supply~ground
Ambient temperature	: 0~50°C
Ambient humidity	: 5~90% RH (no condensation)
Power supply voltage	: AC/DC use 20~130V DC (no polarity), 80~138V AC, 47~63Hz
Effect of power voltage fluctuation	: Less than ±0.1% of span for fluctuation of 20~130V DC, 80~138V AC
Effect of ambient temperature change	: Less than ±0.2% of span for 10°C change
Power dissipation	: 100V AC Drive 7.2VA 24V DC Drive 117mA
Mounting, Shape & Accessories	
Mounting method	: Rack mounting
Connecting method	: M4 screw terminal connection
External dimension	: 148x27x244mm (HxWxD) including socket
Weight	: About 290g
Accessories	: Spare fuse 0.5A ... 1 Tag number label .. 4

Output Resistance and Allowable Load Resistance

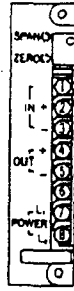
DC Current Output Type		
Output Signal	Output Resistance	Allowable Load Resistance
4~20mA DC	5MΩ or more	0~750Ω
2~10mA DC		0~1500Ω
1~5mA DC		0~3000Ω
0~20mA DC		0~750Ω
0~16mA DC		0~900Ω
0~10mA DC		0~1500Ω
0~1mA DC		0~15KΩ
Others, I ₁₀₀ is 24mA or less		(15/I ₁₀₀)Ω or less

I₁₀₀ : 100% output current value

DC Voltage Output Type		
Output Signal	Output Resistance	Allowable Load Resistance
0~10mV DC	100Ω or less	250KΩ or more
0~100mV DC		
0~1V DC	1Ω or less	2KΩ or more
0~10V DC		10KΩ or more
0~5V DC		2KΩ or more
1~5V DC		2KΩ or more
-5~+5V DC		2KΩ or more
Others, V ₁₀₀ is 10V or less	V ₁₀₀ ≤ 100mV : 100Ω or less V ₁₀₀ > 100mV : 1Ω or less	250KΩ or more 10KΩ or more

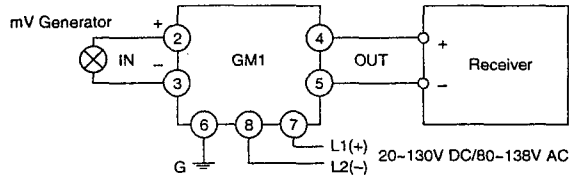
V₁₀₀ : 100% output voltage value

TERMINAL ARRANGEMENT

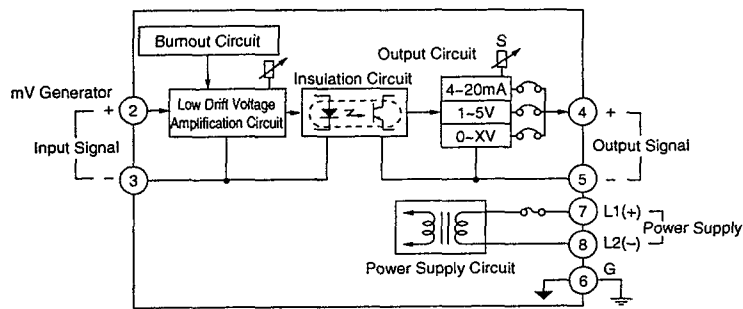


1	
2	INPUT (+)
3	INPUT (-)
4	OUTPUT (+)
5	OUTPUT (-)
6	GND G
7	SUPPLY L1(+)
8	SUPPLY L2(-)

WIRING

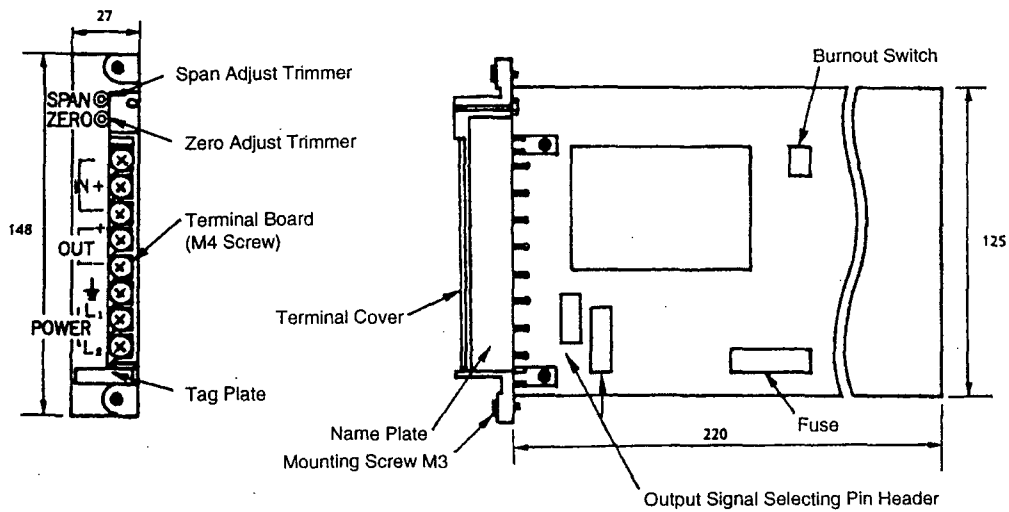


BLOCK DIAGRAM



EXTERNAL DIMENSIONS

Unit: mm



Subject to change without notice for grade up of quality and performance