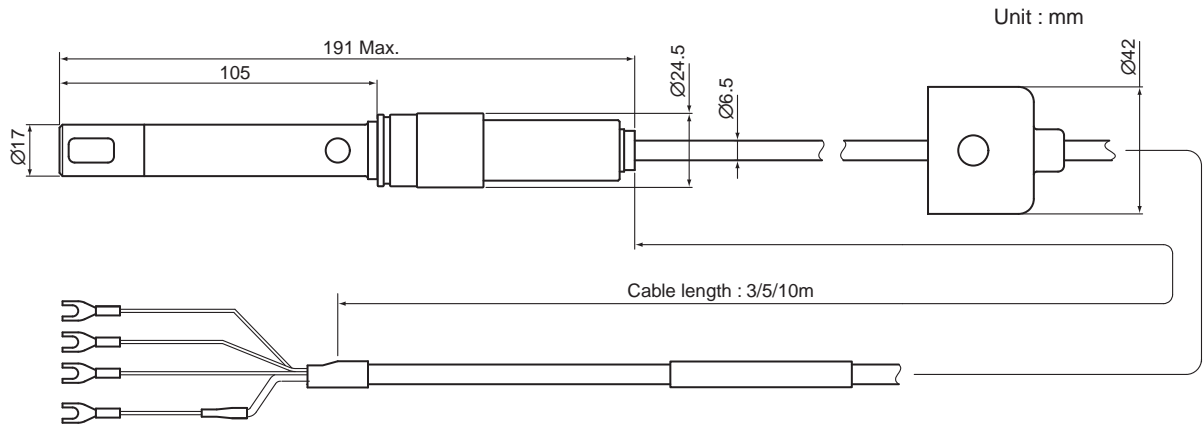


Drawings

Model OR10FP KCI Refillable ORP Sensor

Unit: mm

• OR10FP-□□-AA-HST-NN



	Model and code	Length (mm)	Weight (kg)
	OR10FP-03-AA-HST-NN	3000	Approx. 0.3
	OR10FP-05-AA-HST-NN	5000	Approx. 0.45
	OR10FP-10-AA-HST-NN	10000	Approx. 0.8

Unless otherwise specified, differences in the dimensions are specified as : General tolerance=(Criteria of tolerance class IT18 in JIS B0401-1986)/2.