

SD 01B04M01-02E

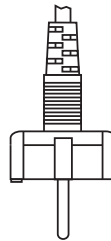
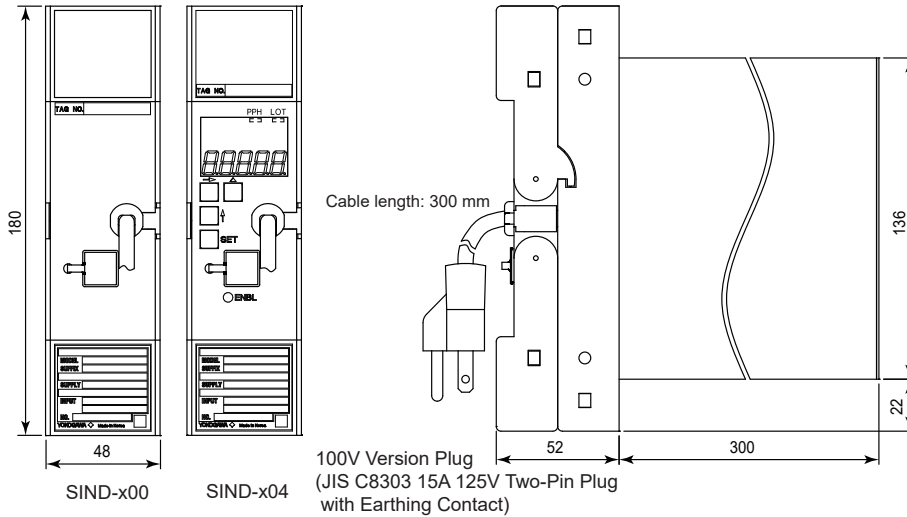
<External Dimensions>

Trigonometry

Unit: mm

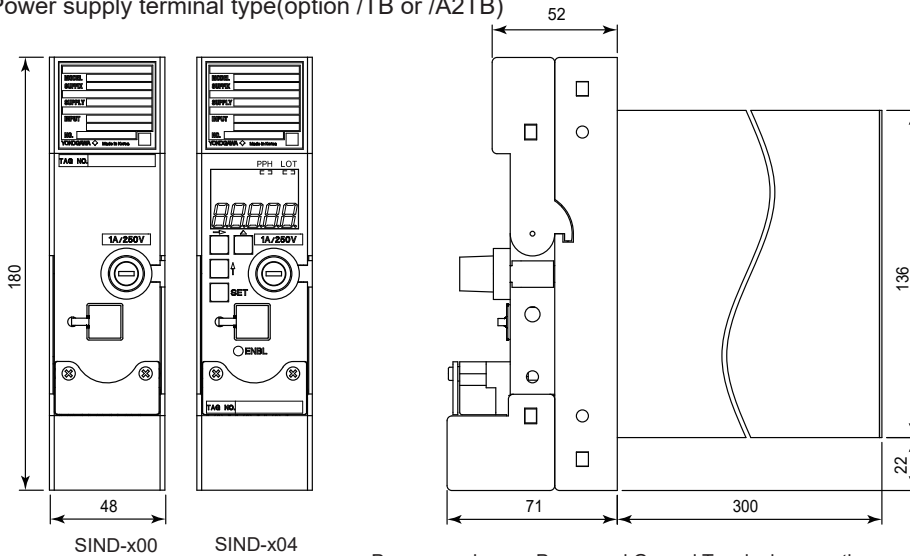
General tolerance = ±(value of tolerance class IT18 based on JIS B 0401-2016) / 2

Power supply plug type



220V Version Plug
(CEE Publication 7 Standard Sheet VII 10/16A 250V
Two-Pole Plug with Dual-Earthing Contacts)

Power supply terminal type(option /TB or /A2TB)



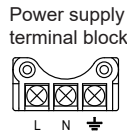
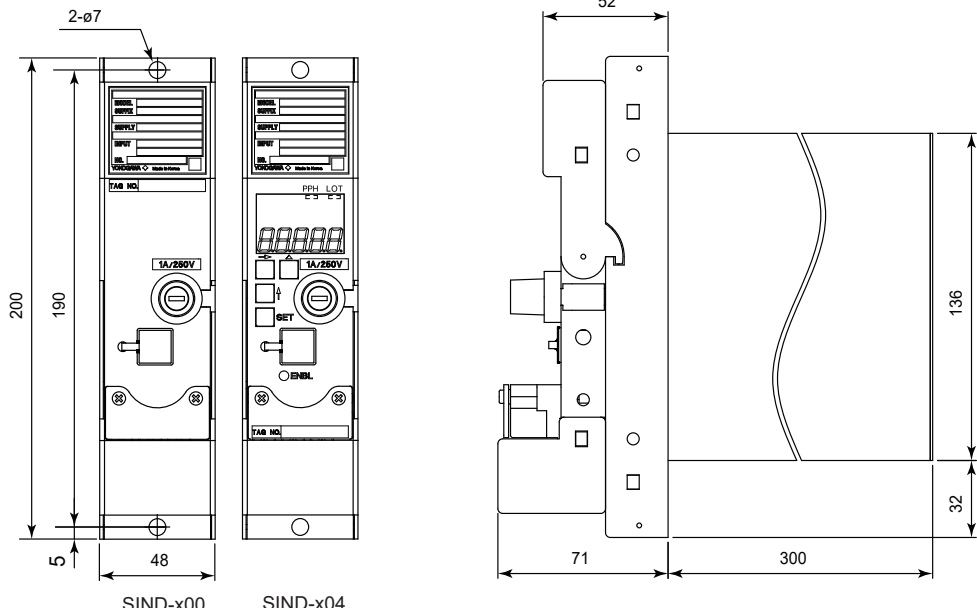
Power supply
terminal block



Power and Ground Terminal connection
(Connection screw: M4)

Symbol	Description
L	+ > Power supply
N	- > Power supply
⊕	Ground

Power supply terminal type(option /REK)

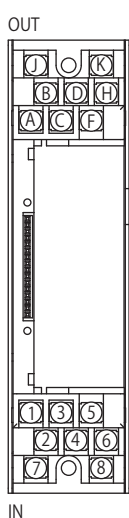


Power and Ground Terminal connection (Connection screw: M4)

Symbol	Description
L	+ > Power supply
N	- > Power supply
⏏	Ground

Weight
SIND Body: 0.7 kg
Rack Case: 1.0 kg

Terminal arrangement



Terminal Connections (Screw: M4)

Terminal Designation	Description	
	SICD Counter Drive Pulse	Transistor Contact
A	-	+ Transistor contact-1 (*2, 3, 4)
B		COM
C	-	+ Transistor contact-2 (*2, 3, 4)
D		
F	+	
H		
J		
K		

- Do not connect to the output terminal when the terminal is not in use.
- *1: Pulse signals can also be used to drive an electromagnetic counter of rating 24 V DC, 150 mA or less.
 - *2: Transistor contact output can be used to provide a pulse output signal to a computer or used to drive another counter when combined with an external power supply.
 - *3: When terminals A and C are shorted, a pulse signal with ON time of 60 ms is generated across between terminals A-C and F, and terminals A-C and B.
 - *4: When a counter other than SICD is used, connect a surge voltage protective diode in parallel with the counter coil.

Terminal Connections (Screw: M4)

Terminal Designation	Description
1	+ > Input (1 to 5 V DC)
2	- > Input (1 to 5 V DC)
3	
4	
5	
6	
7	
8	

