

Drawings

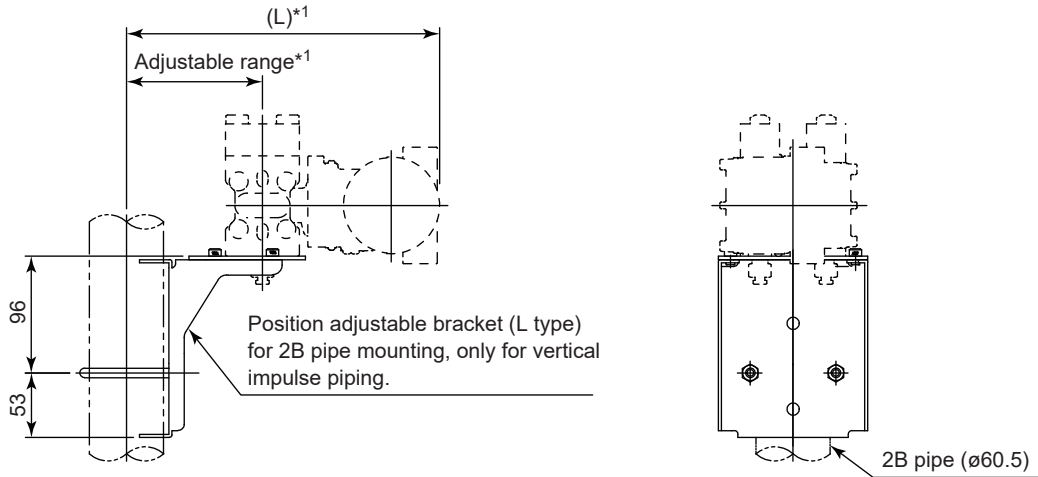
EJX-A, EJA-E Position Adjustable Bracket (Bracket Code P)



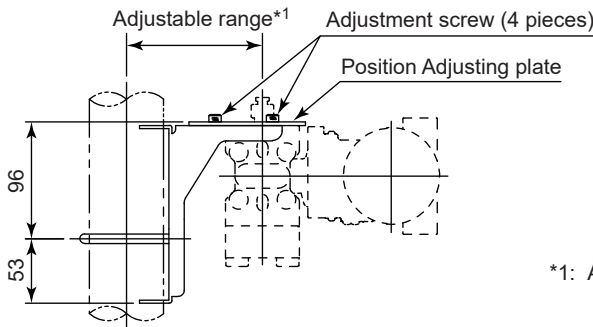
SD 01C25B14-01EN

Unit: mm

Process Connection Upside (Installation Code: 2, 6)



Process Connection Downside (Installation Code: 3, 7)



*1: Adjustable range varies by inverting the adjusting plate.

“-” mark in the table shows all the codes are applicable.

Model	Suffix Code			L	Adjustable range
	Measurement span (capsule)	Wetted parts material	Installation		
EJX110A, EJA110E*2 EJX910A	M, H, V	S, L	2, 6 (Upside)	220~277	75~132
	F	S		234~291	
	L, M, H, V	H, M, T, A, B, W		234~291	
EJX115A, EJA115E	M, H	S		220~277	
	F	S		234~291	
EJX120A, EJA120E	-	-		234~291	
EJX310A, EJA310E	-	-		220~277	
EJX430A, EJA430E	-	S, L		220~277	
		H, M, T, A, B, W		234~291	
		-		220~277	
EJX440A, EJA440E	-	-	220~277		
EJX130A, EJA130E EJX930A	-	-	234~291		
EJX110A, EJA110E*2 EJX910A	M, H, V	S, L	3, 7 (Downside)	233~277	88~132
	F	S		247~291	
	L, M, H, V	H, M, T, A, B, W		247~291	
EJX115A, EJA115E	M, H	S		233~277	
	F	S		247~291	
EJX120A, EJA120E	-	-		247~291	
EJX310A, EJA310E	-	-		233~277	
EJX430A, EJA430E	-	S, L		233~277	
		H, M, T, A, B, W		247~291	
		-		233~277	
EJX440A	-	-	233~277		
EJX130A EJX930A	-	-	271~291	112~132	

*2: When /HD or /HD2 is specified, see the “L” for measurement span code F.