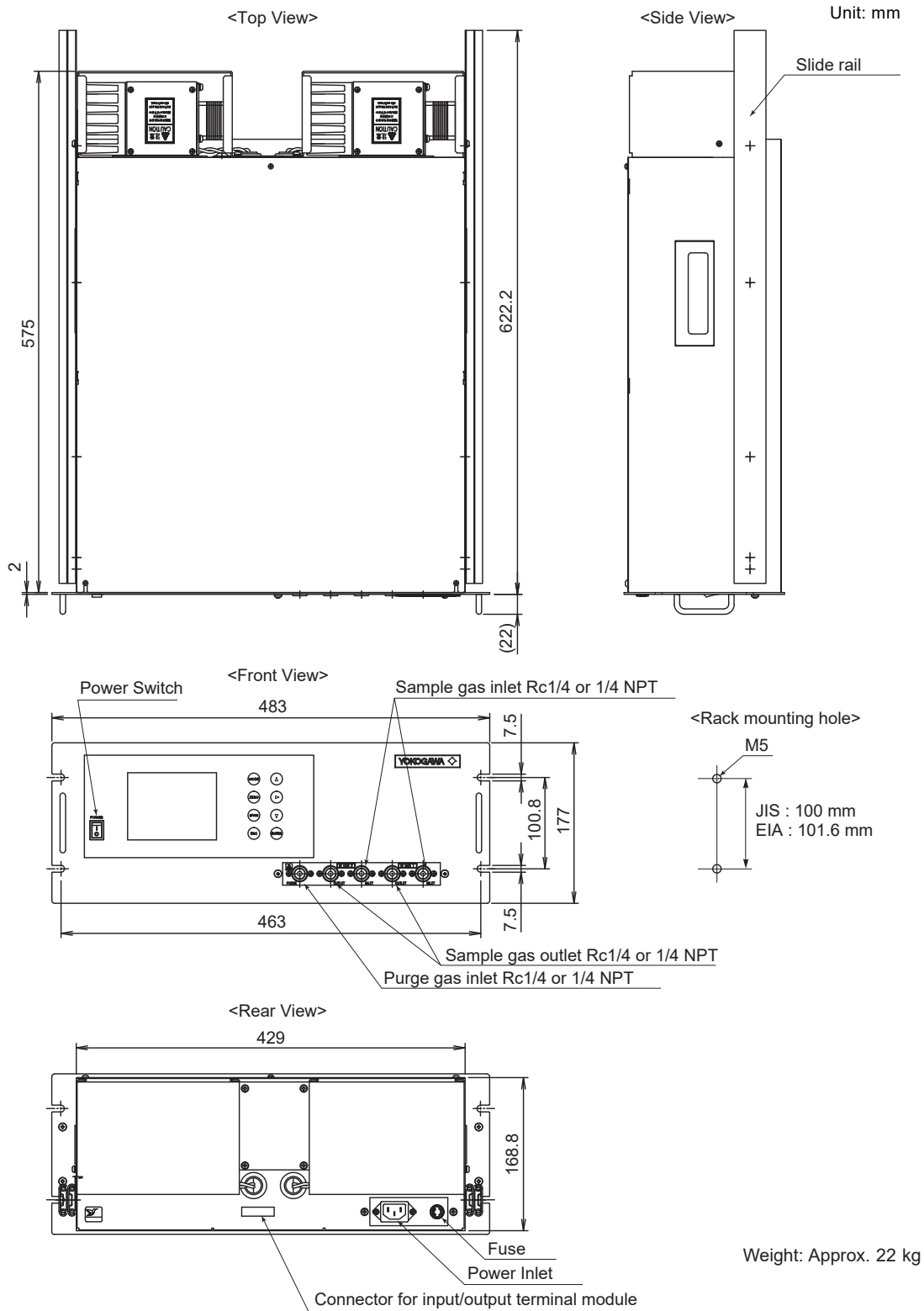


Drawings

Model IR400 Infrared Gas Analyzer

[Style: S4]

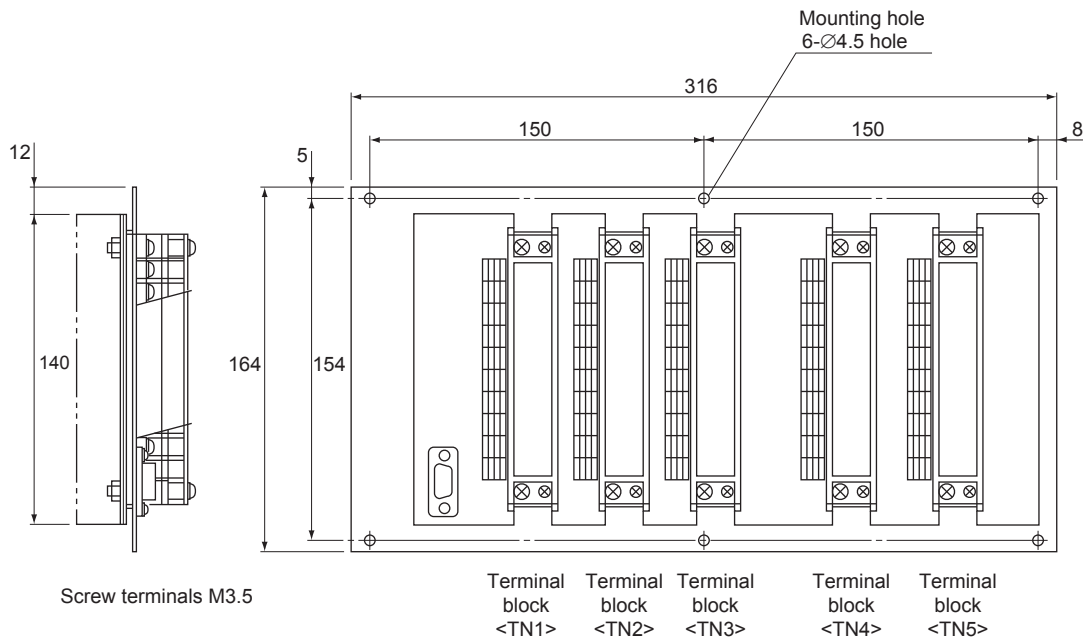


Unless otherwise specified, differences in the dimensions are specified as: General tolerance = \pm (Criteria of tolerance class IT18 in JIS B0401-1998)/2.

Accessory

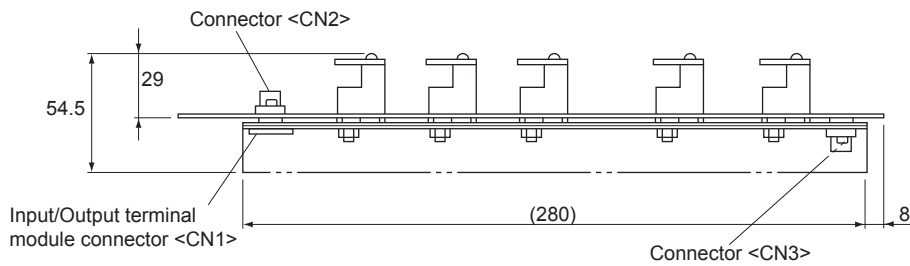
• Input/Output Terminal Module

Unit: mm

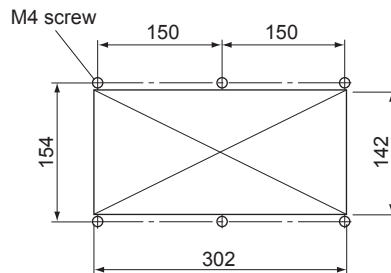


Screw terminals M3.5

Terminal block <TN1> Terminal block <TN2> Terminal block <TN3> Terminal block <TN4> Terminal block <TN5>



Dimensions for Mounting Input/Output Terminal Module

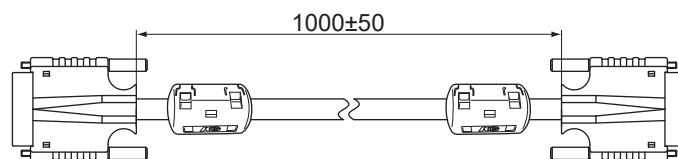


Cut M4 screw holes at 6 positions.
Drill a rectangular hole of 302 x 142 mm or more in the center.

F05.ai

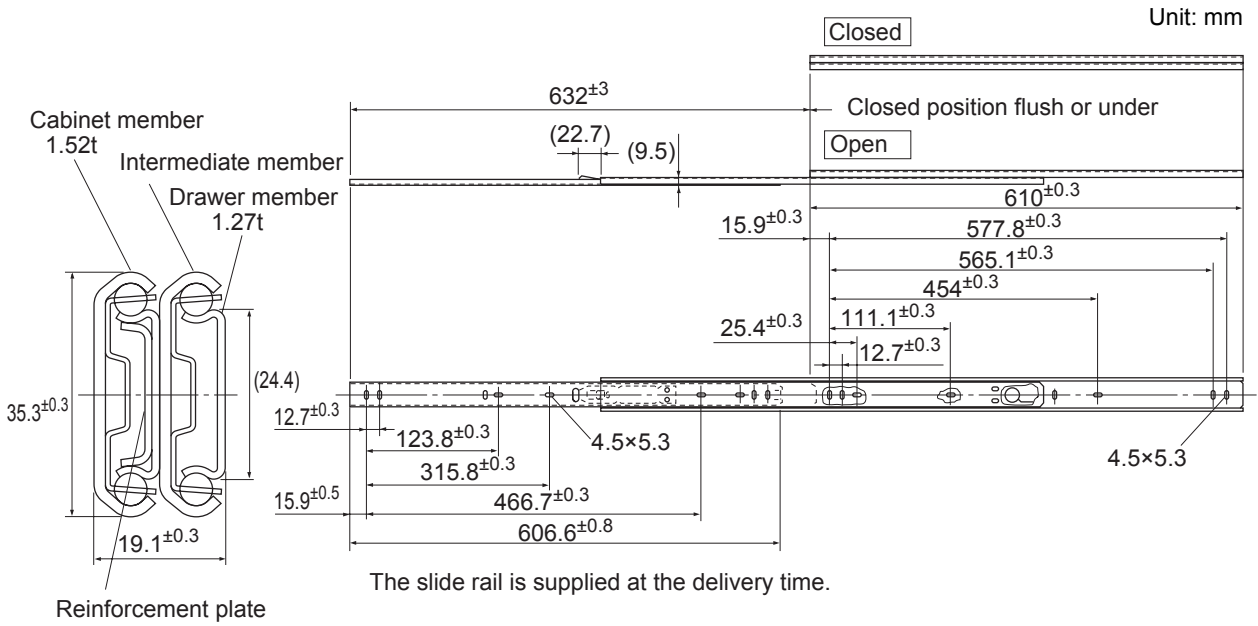
• Cable for connecting Input/Output Terminal

Unit: mm



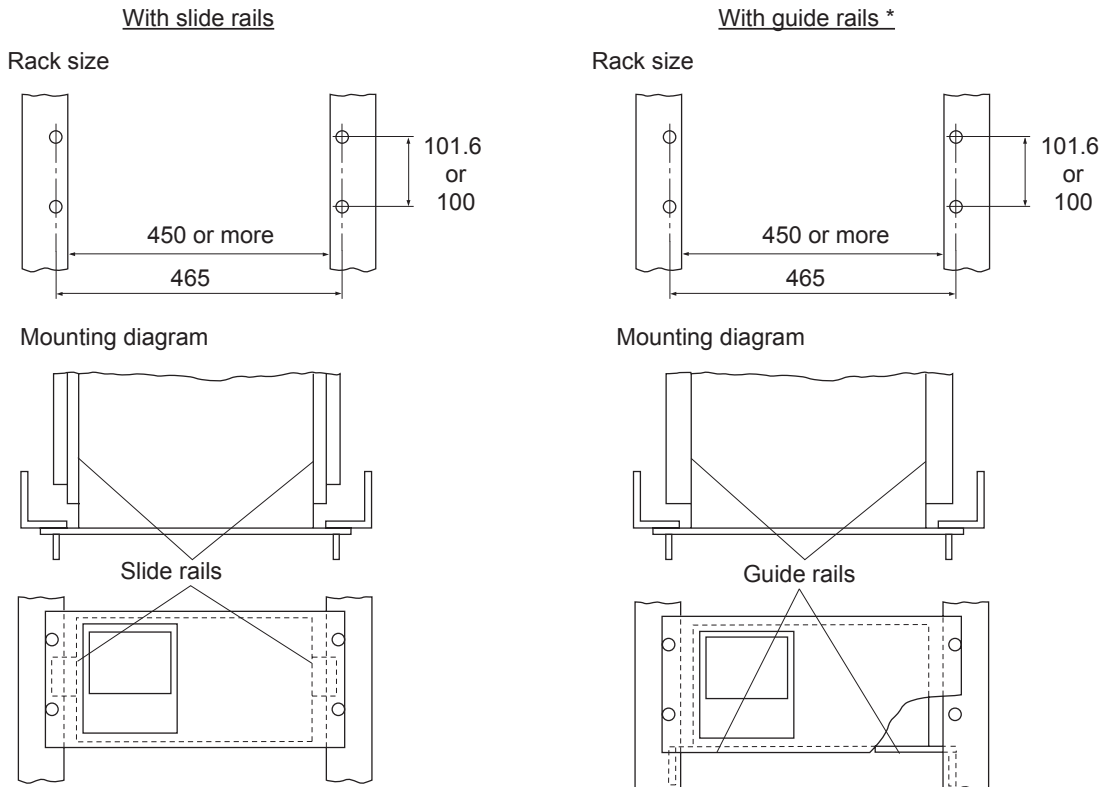
Unless otherwise specified, differences in the dimensions are specified as: General tolerance = \pm (Criteria of tolerance class IT18 in JIS B0401-1998)/2.

- **Slide Rail**
Model: equivalent to 305A-24/Accuride International Inc.



<19-inch rack mounting method>

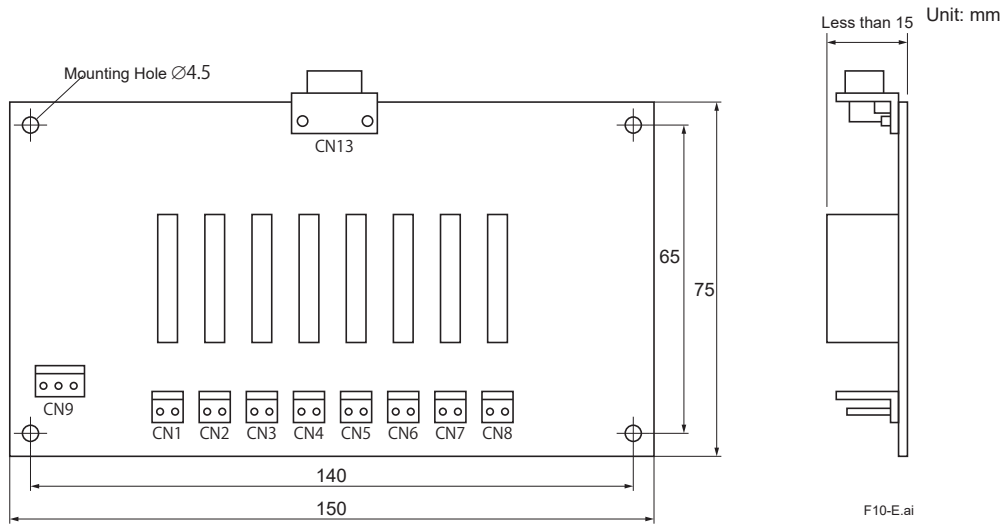
For easy maintenance, we recommended the mounting method which allows the rack to be drawn out along the slide rail.



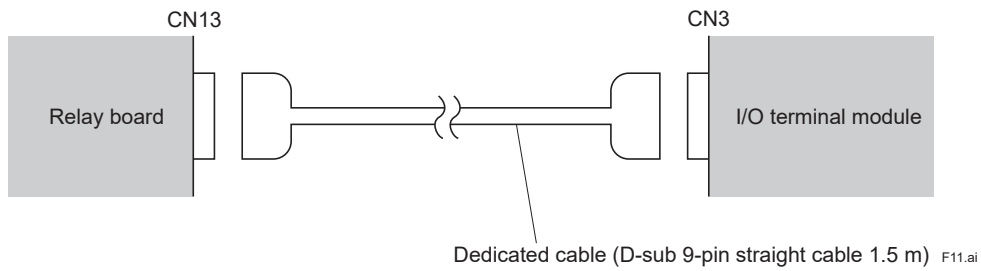
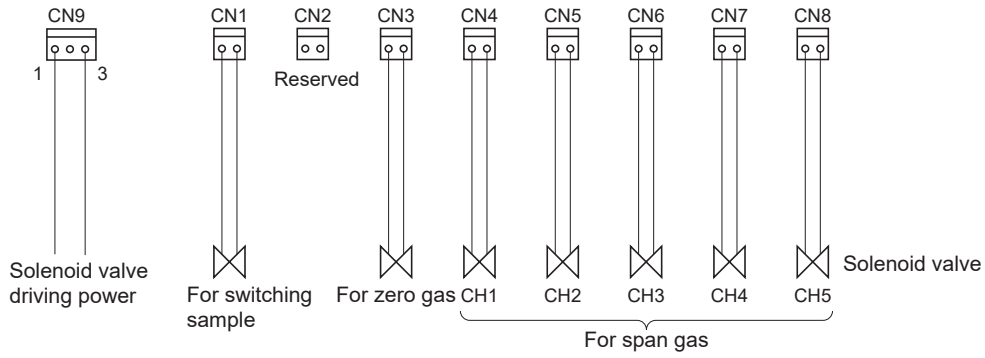
* For mounting with guide rails, a maintenance space (200 mm or more) should be provided on top of the main unit.

Unless otherwise specified, differences in the dimensions are specified as: General tolerance = ±(Criteria of tolerance class IT18 in JIS B0401-1998)/2.

□ **Dedicated Relay Board (option code /R)**

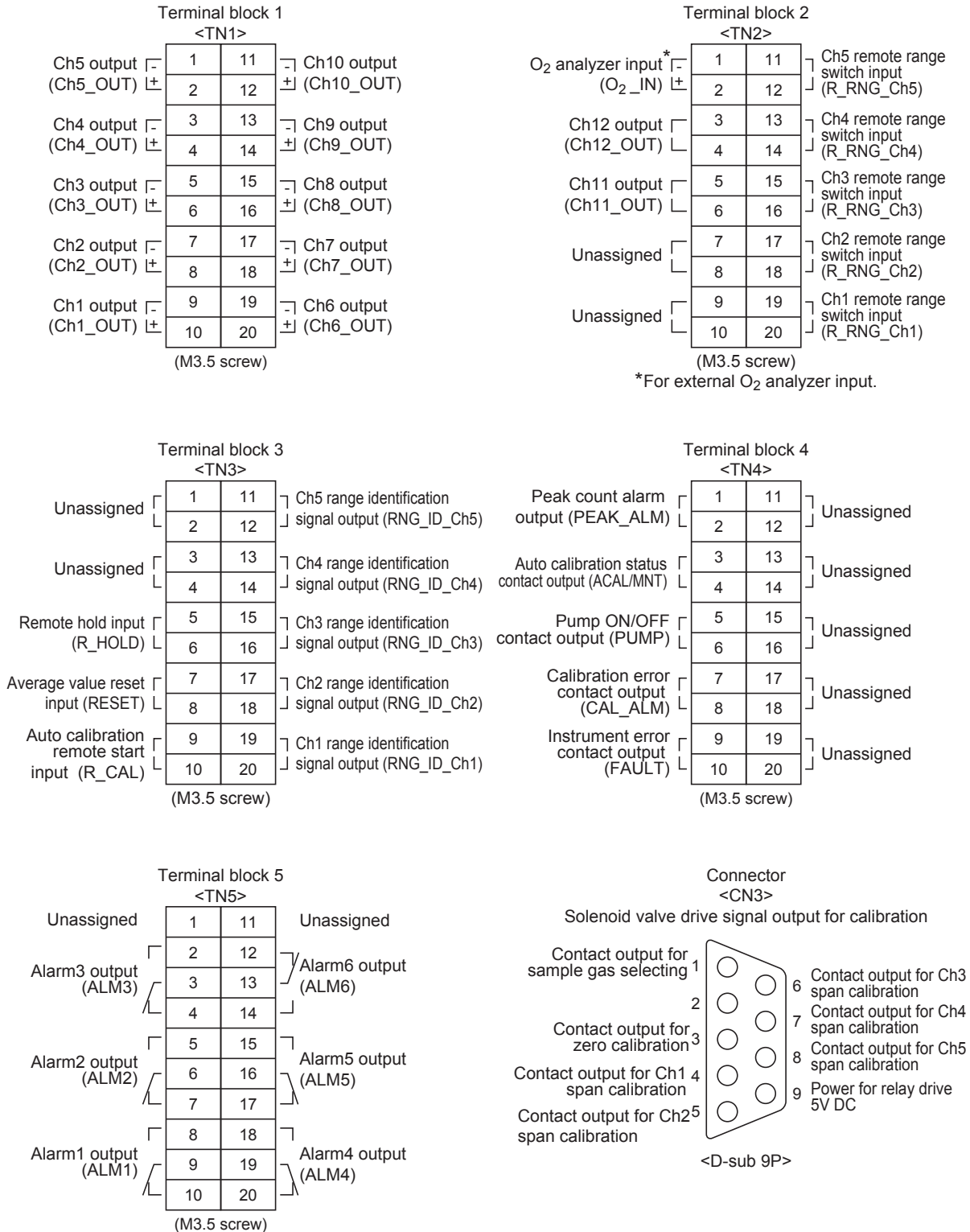


<How to connect>



Unless otherwise specified, differences in the dimensions are specified as: General tolerance = \pm (Criteria of tolerance class IT18 in JIS B0401-1998)/2.

External Connection Diagram



Note 1: Unassigned terminals are used for internal connection. So they should not be used as repeating terminals either.
 Note 2: The allocation of each channel (Ch1 to Ch12) depends on measured gas components. Refer to the table on the next page.

F08.ai