



E7N Drive/Bypass Technical Manual



Model: E7N

Document Number: TM.E7N.01

Quick Reference for Bypass Parameters

Parameter Number	Factory Setting	User Setting	Parameter Number	Factory Setting	User Setting	Parameter Number	Factory Setting	User Setting	Parameter Number	Factory Setting	User Setting
A1-00	0		b5-04	100		E1-05	208V, 230V or □ 460V		L1-05	0.2	
A1-01	2		b5-06	100					L2-01	2	
A1-03	0		b5-07	0		E1-06	60		L2-02	kVA Dep.	
A1-04	0		b5-08	0		E1-07	3		L2-03	kVA Dep.	
A1-05	0		b5-09	0		E1-08	18		L2-04	kVA Dep.	
A2-01			b5-10	1		E1-09	1.5		L2-05	Voltage Dep.	
A2-02			b5-11	0		E1-10	10.8		L3-01	1	
A2-03			b5-12	0		E1-11	0		L3-02	120	
A2-04			b5-13	0		E1-12	0		L3-04	1	
A2-05			b5-14	1		E1-13	0		L3-05	1	
A2-06			b5-15	0		E2-01	kVA Dep.		L3-06	120	
A2-07			b5-16	0		E2-03	kVA Dep.		L4-01	0	
A2-08			b5-17	0		E2-05	kVA Dep.		L4-02	2	
A2-09			b5-18	0		F6-01	3		L4-05	0	
A2-10			b5-19	0		F6-02	0		L4-06	80	
A2-11			b5-20	1		F6-03	1		L5-01	10	
A2-12			b5-21	1		F6-05	0		L5-02	0	
A2-13			b5-22	0		H1-01	70		L5-03	10	
A2-14			b5-23	0		H1-02			L6-01	0	
A2-15			b5-24	0		H1-03	See Table □ 5.1		L6-02	15	
A2-16			b5-25	0					L6-03	10	
A2-17			b5-26	0					L8-01	0	
A2-18			b5-27	60		H1-04	4		L8-02	kVA Dep.	
A2-19			b5-28	0		H1-05	6		L8-03	4	
A2-20			b5-29	1		H2-01	0		L8-06	kVA Dep.	
A2-21			b5-30	0		H2-02	3B		L8-09	1	
A2-22			b8-01	0		H3-02	100		L8-10	0	
A2-23			b8-04	kVA Dep.					L8-11	300	
A2-24			b8-05	20		H3-03	0		L8-12	45	
A2-25			b8-06	0		H3-08	See Table □ 5.1		L8-15	1	
A2-26			C1-01	30					L8-18	1	
A2-27			C1-02	30					L8-19	20	
A2-28			C1-03	30		H3-09	See Table □ 5.1		n1-01	1	
A2-29			C1-04	30					n1-02	1	
A2-30			C1-09	10		H3-10	100		n3-01	5	
A2-31			C1-11	0		H3-11	0		n3-02	150	
A2-32			C2-01	0.2		H3-12	0.3		n3-03	1	
b1-01	See Table □ 5.1		C2-02	0.2		H3-13	0		n3-04	40	
			C4-01	1		H4-01	2		o1-01	6	
			C4-02	200		H4-02	100		o1-02	1	
b1-02	1		C6-02	kVA Dep.		H4-03	0		o1-03	0	
b1-03	0		C6-03	kVA Dep.		H4-04	8		o1-05	3	
b1-04	1		C6-04	kVA Dep.		H4-05	50		o1-06	0	
b1-07	0		C6-05	0		H4-06	0		o1-07	2	
b1-08	1		d1-01	10.0		H4-07	0		o1-08	3	
b1-11	0		d1-02	6.0		H4-08	0		o2-01	0	
b1-12	0		d1-03	0		H5-01	1F		o2-02	0	
b2-01	0.5		d1-04	0		H5-02	See Table □ 5.1		o2-03	1	
b2-02	50		d1-17	6					o2-04	kVA Dep.	
b2-03	0		d2-01	100		H5-03	0		o2-05	1	
b2-04	0		d2-02	0		H5-04	3		o2-06	1	
b2-09	0		d2-03	0		H5-05	1		o2-07	0	
b3-01	2		d3-01	0		H5-06	5		o2-08	1	
b3-02	120		d3-02	0		H5-07	See Table □ 5.1		o2-09	1	
b3-03	2		d3-03	0					o2-10	0	
b3-05	0.2		d3-04	1		H5-08	See Table □ 5.1		o2-12	0	
b3-14	1		d4-01	0					o2-14	0	
b4-01	0		d4-02	10		H5-09	10		o2-15	0	
b4-02	0		E1-01	208V, 240V or 480V		L1-01	1		o3-01	0	
b5-01	0					L1-02	8		o3-02	1	
b5-02	2		E1-03	F		L1-03	3		T1-02	kVA Dep.	
b5-03	5		E1-04	60		L1-04	1		T1-04	kVA Dep.	

Warnings and Cautions

This Section provides warnings and cautions pertinent to this product, that if not heeded, may result in personal injury, fatality, or equipment damage. Yaskawa is not responsible for consequences of ignoring these instructions.

WARNING

YASKAWA manufactures component parts that can be used in a wide variety of industrial applications. The selection and application of YASKAWA products remain the responsibility of the equipment designer or end user. YASKAWA accepts no responsibility for the way its products are incorporated into the final system design. Under no circumstances should any YASKAWA product be incorporated into any product or design as the exclusive or sole safety control. Without exception, all controls should be designed to detect faults dynamically and fail safely under all circumstances. All products designed to incorporate a component part manufactured by YASKAWA must be supplied to the end user with appropriate warnings and instructions as to that part's safe use and operation. Any warnings provided by YASKAWA must be promptly provided to the end user. YASKAWA offers an express warranty only as to the quality of its products in conforming to standards and specifications published in the YASKAWA manual. **NO OTHER WARRANTY, EXPRESS OR IMPLIED, IS OFFERED.** YASKAWA assumes no liability for any personal injury, property damage, losses, or claims arising from misapplication of its products.

WARNING

- Read and understand this manual before installing, operating, or servicing this Drive and Bypass Unit. All warnings, cautions, and instructions must be followed. All activity must be performed by qualified personnel. The Drive must be installed according to this manual and local codes.
- Do not connect or disconnect wiring while the power is on. Do not remove covers or touch circuit boards while the power is on.
- Before servicing, disconnect all power to the equipment. The internal capacitor remains charged even after the power supply is turned off. Status indicator LEDs and Digital Operator display will be extinguished when the DC bus voltage is below 50 VDC. To prevent electric shock, wait at least five minutes after all indicators are OFF and measure DC bus voltage level to confirm safe level.
- Do not perform a withstand voltage test on any part of the unit. This equipment uses sensitive devices and may be damaged by high voltage.
- The Drive and Bypass unit is not suitable for circuits capable of delivering more than the specified RMS symmetrical amperes. Install adequate branch short circuit protection per applicable codes. Refer to the specification. Failure to do so may result in equipment damage and/or personal injury.
- Do not connect unapproved LC or RC interference suppression filters, capacitors, or overvoltage protection devices to the output of the Drive. These devices may generate peak currents that exceed Drive specifications.
- To avoid unnecessary fault displays caused by contactors or output switches placed between Drive and motor, auxiliary contacts must be properly integrated into the control logic circuit.
- YASKAWA is not responsible for any modification of the product made by the user; doing so will void the warranty. This product must not be modified.
- Verify that the rated voltage of the Drive and Bypass unit matches the voltage of the incoming power supply before applying power.



- Some drawings in this manual may be shown with protective covers or shields removed, to describe details. These must be replaced before operation.
- Observe electrostatic discharge procedures when handling circuit cards to prevent ESD damage.
- The equipment may start unexpectedly upon application of power. Clear all personnel from the Drive, motor, and machine area before applying power. Secure covers, couplings, shaft keys, and machine loads before energizing the Drive and Bypass unit.
- Please do not connect or operate any equipment with visible damage or missing parts. The operating company is responsible for any injuries or equipment damage resulting from failure to heed the warnings in this manual.

■ Intended Use

Drives and Bypass Units are intended for installation in electrical systems or machinery.

For use in the European Union, the installation in machinery and systems must conform to the following product standards of the Low Voltage Directive:

EN 50178, 1997-10, Equipping of Power Systems with Electronic Devices

EN 60201-1, 1997-12 Machine Safety and Equipping with Electrical Devices

Part 1: General Requirements (IEC 60204-1:1997)/

EN 61010, 1997-11 Safety Requirements for Information Technology Equipment

(IEC 950:1991 + A1:1992 + A2:1993 + A3:1995 + A4:1996, modified)

■ Other

The Drive and Bypass unit is suitable for use on a circuit capable of delivering not more than 100,000 RMS symmetrical amperes, 240 Vac maximum (240 V Class) and 480 Vac maximum (480 V Class) only when option "D" (Fused Disconnect) is specified.

The above statement remains valid when option "B" is specified, however the statement becomes invalid if option "G" is specified.

This manual is for reference only and subject to change without notice.

Introduction

This Section describes the applicability of the Manual

◆ Product Description

The E7N Bypass unit provides a means of bypassing the Drive while allowing the motor to operate at full speed, directly from the AC line. It incorporates an AC Drive and two contactor Bypass arrangement in a single UL listed enclosure. The two electrically interlocked IEC rated contactors isolate the Drive from the load when operating in Bypass mode.

Control logic provides industry standard Hand/Off/Auto functions and safety circuit interlocks in both drive and Bypass operating modes.

E7N Bypass components include: a fused 120 VAC control circuit transformer, an input disconnect, motor overload relay, control keypad and indicating lights.

The E7 Drive, a component of the E7N Bypass package, is a Pulse Width Modulated Drive for 3-Phase AC induction motors. This type of Drive is also known as an Adjustable Frequency Drive, Variable Frequency Drive, AC Drive, AFD, ASD, VFD, and Inverter. In this manual, the E7 Drive will be referred to as the “Drive”.

The Drive is a variable torque AC drive, designed specifically for HVAC applications in building automation, including fans, blowers and pumps. A new benchmark for size, cost, performance, benefits, and quality, the Drive includes numerous built-in features such as network communications, H/O/A, PI, parameter storage and copy functions.

The Drive has embedded communications for the popular building automation protocols, Johnson Controls Metasys® N2 and Siemens APOGEE™ FLN, as well as Modbus®. An optional LONWORKS®, or BACnet interface card is also available.

The LED keypad/operator is equipped with Hand/Off/Auto functions and copy feature. User parameter settings can be recovered at any time via “User Initialization”. Optional DriveWizard software allows upload/download, as well as graphing and monitoring of drive parameters from a PC for ease of drive management.

Built-in PI control eliminates the need for closed loop output signals from a building automation system. It includes feedback display, inverse, square root and differential control functions, and maintains setpoint for closed loop control of fans and pumps for pressure, flow, or temperature regulation.

This manual is applicable to E7 Drives defined by model numbers CIMR-E7U____ contained within Bypass units defined by model numbers E7N____.

This manual is subject to change as product improvements occur. The latest version of the manual can be obtained from the Yaskawa website www.yaskawa.com. The date shown on the rear cover is changed when revisions are made.

This manual may describe trademarked equipment, which is the property of other companies. These trademarks are the property of the registered owner companies and may include the following:

APOGEE™ FLN, trademark of Siemens Building Technologies, Inc.

Metasys®, trademark of Johnson Controls Inc.

Modbus®, trademark of Schneider Automation, Inc.

LONWORKS®, trademark of Echelon Corporation

BACnet

Other Documents and Manuals are available to support special use or installation of this product. These documents may be provided with the product or upon request or downloaded from www.drives.com. Documents may include the following:

TM.E7.01.USER ... Manual included on CD ROM with product

TM.E7.02.Programming ... Manual included on CD ROM with product

TM.E7.11.Modbus ... Manual included on CD ROM with product

TM.AFD.20.LONWORKS ... Manual included on CD ROM with product

TM.E7.21.APOGEE ... Manual included on CD ROM with product

TM. E7.22. Metasys ... Manual included on CD ROM with product

DriveWizard ... Software and Manual...Included on CD ROM with product

Option Instructions ... Included on CD ROM with product

◆ Definitions of Acronyms and Abbreviations

AC	Alternating Current	LRA	Locked Rotor Amperes
AIC	Amps Interrupting Capacity	MCP	Motor Circuit Protector
CB	Circuit Breaker	MTBF	Mean Time Between Failures
CIMR	Control Induction Motor Rotation	NC	Normally Closed
CN	Connector	NEC	National Electrical Code
CPT	Control Power Transformer	NEMA	National Electrical Manufacturers Association
CPU	Central Processing Unit	NO	Normally Open
DIP	Dual Inline Package	OLR	Over Load Relay
FLA	Full Load Amperes	PCB	Printed Circuit Board
FVFF	Forced Ventilated, inlet Filter, outlet Filter	PI	Proportional plus Integral control action
HOA	Hand/Off/Auto	RTS	Request To Send
HP	Horsepower	SFS	Soft Start
IEC	International Electrotechnical Commission	TB	Terminal Block
IGV	Inlet Guide Vanes	THD	Total Harmonic Distortion
IPM	Intelligent Power Module	VA	Volt Amperes
KVA	Kilo Volt Amperes	VAC	Volts Alternating Current
LED	Light Emitting Diode	VAV	Variable Air Volume

◆ Terminology in This Manual

“Standard” or “Configured” options - are available with standard lead times

“Engineered” or “Custom” options - are available only with extended lead times

◆ Resources Available

Table of Resources	
Manuals, Installation Guides, and CD's	
Document Number	Description
TM.E7.01	E7 Drive User Manual
TM.E7.02	E7 Drive Programming Manual
TM.E7.21	E7 APOGEE™ FLN Technical Manual
TM.E7.22	E7 Metasys® N2 Technical Manual
TM.E7B.01	E7B Drive/Bypass Technical Manual
TM.E7L.01	E7L Drive/Bypass Technical Manual
IG.AFD.20	LonWorks® Option Card CM048 Installation Guide
IG.AFD.50	Pressure Transducer 3-15 PSI Analog Input Option Card AI-010 Installation Guide
IGE7B.02	E7B Drive/Bypass System with Touchpad Control Panel (Option T or Y) Installation Guide
IGE7.03	E7 Drive Wiring Installation Guide
CD.E7.01	CD-ROM, Drives for Building Automation
Software	
Document	Description
SW.DW.14.DriveWizard6.1	DriveWizard™ Software, Version 6.1
E7 ESP	Energy Savings Predictor for E7 Drives
SW.E7HET.01	E7 Harmonic Estimating Tool
Flyers, Bulletins, Price Book And Specifications	
Document	Description
FL.E7.01	Flyer, E7 Drives, 1/2 to 500 HP
FL.E7.02	Flyer, E7 18-Pulse Drive
FL.E7.03	Flyer, Building Automation Products
FL.E7.04	Flyer, E7B Drive/Bypass System, 1/2 to 500 HP
FL.E7L.01	Flyer, E7L Drive/Bypass System, 1/2 to 60 HP
BL.E7.01	Bulletin, multi-page, E7 Drives and Bypass Packages
BL.E7.02	Bulletin, Significant Cost Savings HVAC Drives for Buildings
BL.E7N.01	Bulletin, multi-page, E7N Narrow Bypass Package shown actual size
E7.DRG	Binder, E7 Drive Resource Guide
PB.E7.01	Price Book, E7 Drives and E7 Packages
SGE7.01	Section 15172 Mechanical Engineering Specifications
SGE7.10	E7 Drive Mechanical Submittal Specification
SGE7B.10	E7B Drive/Bypass Mechanical Submittal Specification with 22mm Operators
SGE7B.11	E7B Drive/Bypass Mechanical Submittal Specification with Touchpad and LED Keypad
SGE7B.12	E7B Drive/Bypass Mechanical Submittal Specification with Touchpad and LCD Keypad
SGE7L.10	E7L Drive/Bypass Mechanical Submittal Specification
SGE7N.10	E7N Narrow Bypass Package Mechanical Submittal Specification

See also www.yaskawa.com.

Notes:

Table of Contents

Quick Reference Parameter List	Inside front cover
Warnings and Cautions	i
Introduction.....	iii

Chapter 1 - Physical Installation1-1

Bypass Model Number and Enclosure Style	2
Enclosure Data	3
Confirmations upon Delivery	5
Bypass Product Options	7
Bypass Component Descriptions	9
Exterior and Mounting Dimensions	15
Checking and Controlling Installation Site	18

Chapter 2 - Electrical Installation.....2-1

Termination Configuration - Power Wiring	2
Control Wiring	8
Wiring Diagram	23
Electrical Overview.....	25

Chapter 3 - Control Panel3-1

Digital Operator and Control Panel Display	2
Drive Main Menus	11
Example of Changing a Parameter	22

Chapter 4 - Start Up and Operation4-1

Start Up Introduction	2
Bypass Unit Start Up Preparation	4
Bypass Unit Start Up Procedure	5
Bypass Unit Operation Description	10

Chapter 5 - Programming5-1

Regarding Chapter 5.....	2
Bypass Unit Basic Programming Parameters	4
Drive Parameters	10

Chapter 6 - Diagnostics & Troubleshooting 6-1

E7N Bypass PCB and H/O/A Control Panel Diagnostics 2
Drive Diagnostics 6
Drive Troubleshooting 19
Drive Main Circuit Test Procedure 25
Drive Date Stamp Information 29

Chapter 7 - Maintenance 7-1

E7N Maintenance 2
Removing and Replacing the Drive in a Bypass Unit 7

Appendix A - Parameters A-1

Parameter List 2
Monitor List 26
Fault Trace List 28
Fault History List 29
Decimal to Hex Conversion..... 30

Appendix B - Capacity Related Parameters B-1

Drive Capacity 2

Appendix C - Specifications C-1

Standard Drive and Bypass Specifications 2

Appendix D - Communication D-1

E7N and Serial Communication 2
Using Modbus Communication 3
Metasys N2 Point Database 16
APOGEE FLN Point Database 20

Appendix E - Peripheral Devices E-1

Branch Circuit Short Circuit Protection 2
Branch Circuit Overload Protection 3
Peripheral Devices 4

Chapter 1

Physical Installation

This chapter describes the checks required upon receiving and the installation process for a Drive and Bypass unit.

Bypass Model Number and Enclosure Style	2
Enclosure Data	3
Bypass Unit Enclosures	4
Confirmations upon Delivery	5
Receiving Checks	5
Nameplate Information	5
Bypass Product Options	7
Bypass Component Descriptions	9
Bypass Unit Front Control Panel	9
Internal Bypass Panel.....	11
Exterior and Mounting Dimensions	15
Dimensions and Weights	17
Checking and Controlling Installation Site	18
Installation Site	18
Controlling the Ambient Temperature	19
Protecting the Bypass Unit from Foreign Matter	19
Installation Orientation and Enclosure Considerations	19

Bypass Model Number and Enclosure Style

The Bypass covers two voltage ranges: 208 VAC and 480 VAC. Ratings applicable are from 1/2 to 50 HP.

Table 1.1 Bypass				
Voltage	Bypass Base Model Number	HP	Bypass Continuous Output Current (Amps)	Uses Basic Drive Model Number
	NEMA 1			
208 VAC	E7NVD002	0.5	2.4	CIMR-E7U22P2
	E7NVD003	0.75	3.5	CIMR-E7U22P2
	E7NVD004	1	4.6	CIMR-E7U22P2
	E7NVD007	2	7.5	CIMR-E7U22P2
	E7NVD010	3	10.6	CIMR-E7U22P2
	E7NVD016	5	16.7	CIMR-E7U23P7
	E7NVD024	7.5	24.2	CIMR-E7U27P5
	E7NVD030	10	30.8	CIMR-E7U27P5
	E7NVD046	15	46.2	CIMR-E7U2011
	E7NVD059	20	59.4	CIMR-E7U2015
E7NVD074	25	74.8	CIMR-E7U2018	
480 VAC	E7NVB001	0.5	1.1	CIMR-E7U42P2
	E7NVB001	0.75	1.6	CIMR-E7U42P2
	E7NVB002	1	2.1	CIMR-E7U42P2
	E7NVB003	2	3.4	CIMR-E7U42P2
	E7NVB004	3	4.8	CIMR-E7U42P2
	E7NVB007	5	7.6	CIMR-E7U43P7
	E7NVB011	7.5	11	CIMR-E7U45P5
	E7NVB014	10	14	CIMR-E7U47P5
	E7NVB021	15	21	CIMR-E7U49P0
	E7NVB027	20	27	CIMR-E7U4011
	E7NVB034	25	34	CIMR-E7U4015
	E7NVB040	30	40	CIMR-E7U4018
	E7NVB052	40	52	CIMR-E7U4024
E7NVB065	50	65	CIMR-E7U4030	

Enclosure Data

Table 1.2 208V Enclosure Data

Input Volts	HP ¹	Drive Model CIMR-	Bypass ² Model Number	NEC FLA	OL 110% 1 min	Heat ³ Loss Watts	Enclosure Dimensions ⁴			Weight ⁵ of Assembly	Electrical Schematic
							H	NEMA 1 W inches	D		
208	0.5	E7U22P21	E7N_D002	2.4	2.6	68	41.43	8.38	11.5	70 lbs	DS.E7N.01
	0.75	E7U22P21	E7N_D003	3.5	3.8	68					
	1	E7U22P21	E7N_D004	4.6	5.1	78					
	2	E7U22P21	E7N_D007	7.5	8.2	110					
	3	E7U22P21	E7N_D010	10.6	11.7	141					
	5	E7U23P71	E7N_D016	16.7	18.4	202					
	7.5	E7U27P51	E7N_D024	24.2	26.6	273					
	10	E7U27P51	E7N_D030	30.8	33.9	365					
	15	E7U20111	E7N_D046	46.2	50.8	578	52.38	15.43	14.25	150 lbs	
	20	E7U20151	E7N_D059	59.4	65.3	653					
	25	E7U20181	E7N_D074	74.8	82.3	746					

Note 1: Horsepower rating is based on a standard NEMA B 4-pole motor.

Note 2: The underscore position in these model numbers codes for the enclosure type: V = NEMA1.

Note 3: Heat loss is the amount of heat dissipated by the drive at full load with all standard options available inside the enclosure. Drive heat sink losses are included in the heat loss data.

Note 4: Height dimension (H) excludes the mounting screw tabs. Depth dimension (D) excludes the disconnect handle.

Note 5: This data represents the total weight with all possible standard options. Weight could be less depending on the options specified.

Note 6: All standard options are available in this size enclosure.

Table 1.3 480V Enclosure Data

Input Volts	HP ¹	Drive Model CIMR-	Bypass ² Model Number	NEC FLA	OL 110% 1 min	Heat ³ Loss Watts	Enclosure Dimensions ⁴ NEMA 1 inches			Weight ⁵ of Assembly	Electrical Schematic
							H	W	D		
480	0.5	E7U42P21	E7N_B001	1.1	1.2	57	41.43	8.38	11.5	70 lbs	DS.E7N.01
	0.75	E7U42P21	E7N_B001	1.6	1.8	57					
	1	E7U42P21	E7N_B002	2.1	2.3	62					
	2	E7U42P21	E7N_B003	3.4	3.7	89					
	3	E7U42P21	E7N_B004	4.8	5.3	121					
	5	E7U43P71	E7N_B007	7.6	8.4	155					
	7.5	E7U45P51	E7N_B011	11.0	12.1	217					
	10	E7U47P51	E7N_B014	14.0	15.4	318					
	15	E7U49P02	E7N_B021	21.0	23.1	404					
	20	E7U40111	E7N_B027	27.0	29.7	408					
	25	E7U40151	E7N_B034	34.0	31.4	485					
	30	E7U40181	E7N_B040	40.0	44.0	618	52.38	15.43	14.25	150 lbs	
	40	E7U40241	E7N_B052	52.0	57.2	1090					
	50	E7U40301	E7N_B065	65.0	71.5	1045					

Note 1: Horsepower rating is based on a standard NEMA B 4-pole motor.

Note 2: The underscore position in these model numbers codes for the enclosure type: V = NEMA1.

Note 3: Heat loss is the amount of heat dissipated by the drive at full load with all standard options available inside the enclosure. Drive heat sink losses are included in the heat loss data.

Note 4: Height dimension (H) excludes the mounting screw tabs. Depth dimension (D) excludes the disconnect handle.

Note 5: This data represents the total weight with all possible standard options. Weight could be less depending on the options specified.

Note 6: All standard options are available in this size enclosure.

◆ Bypass Unit Enclosures

All Bypass units are intended for non-hazardous locations. Various enclosure types are provided to protect against the application environmental conditions:

■ NEMA Type 1 Enclosures

These are constructed for indoor use to provide a degree of protection against incidental contact with enclosed electrical equipment and falling dust or dirt.

Confirmations upon Delivery

◆ Receiving Checks

Check the following items as soon as the Drive and Bypass unit is delivered.

Item	Method
Has the correct model of Bypass unit been delivered?	Check the model number on the nameplate on the right side of the Bypass unit. Reconcile with packing slip and/or order information.
Is the Bypass unit damaged in any way?	Inspect the entire exterior of the Bypass unit to see if there are any dents, scratches or other damage resulting from shipping.
Are any screws or other components loose?	Use a screwdriver or the appropriate tool to check for tightness.

If you find any irregularities in the above items, contact the shipping company, the distributor or representative you purchased the Bypass unit from or your Yaskawa office immediately.

The Bypass unit is thoroughly tested at the factory. Any damages or shortages evident when the equipment is received must be reported immediately to the commercial carrier that transported the material. Shipping damage is not covered by the Yaskawa warranty. After unpacking and inspecting for damage, verify that internal wire connections have not come loose during shipment by spot checking wire terminations with a screwdriver or the appropriate tool.

Bypass unit storage must be in a clean and dry location. Maintain the factory packaging and provide covering as needed to protect the Bypass unit from construction site dirt, water, debris and traffic prior to and during construction.

◆ Nameplate Information

A nameplate is attached to the right side of the enclosure and the inside of the door of each Bypass unit.

The nameplate shown below is an example for a standard Bypass unit.


A.C. INPUT	
Volts: 480	Hz: 50/60
Phase: 3	Amps: 71.6
A.C. OUTPUT	
Volts: 0-480	Hz: 0-60
Phase: 3	Amps: 65
Serial No: 4W033727440-0002	
Model No.: E7NVB065R	
Type: E7N BYPASS	
W.D.: DS.E7N.01	
Inst. Manual: TM.E7N.01, CD.E7.01	
 YASKAWA	
UNPN0001	

Fig 1.1 Bypass Nameplate
(Example)

■ Drive Nameplate Information

A nameplate is also attached to the right side of the Drive inside the Bypass enclosure. The following nameplate is an example for a standard Drive.

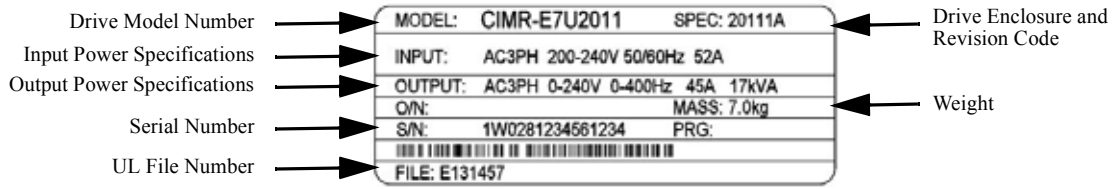


Fig 1.2 Drive Nameplate (Example)

■ Bypass Unit Model Numbers

The model number on the nameplate of the Bypass unit indicates the enclosure, voltage, Drive rated current and options of the Bypass unit in alphanumeric codes.

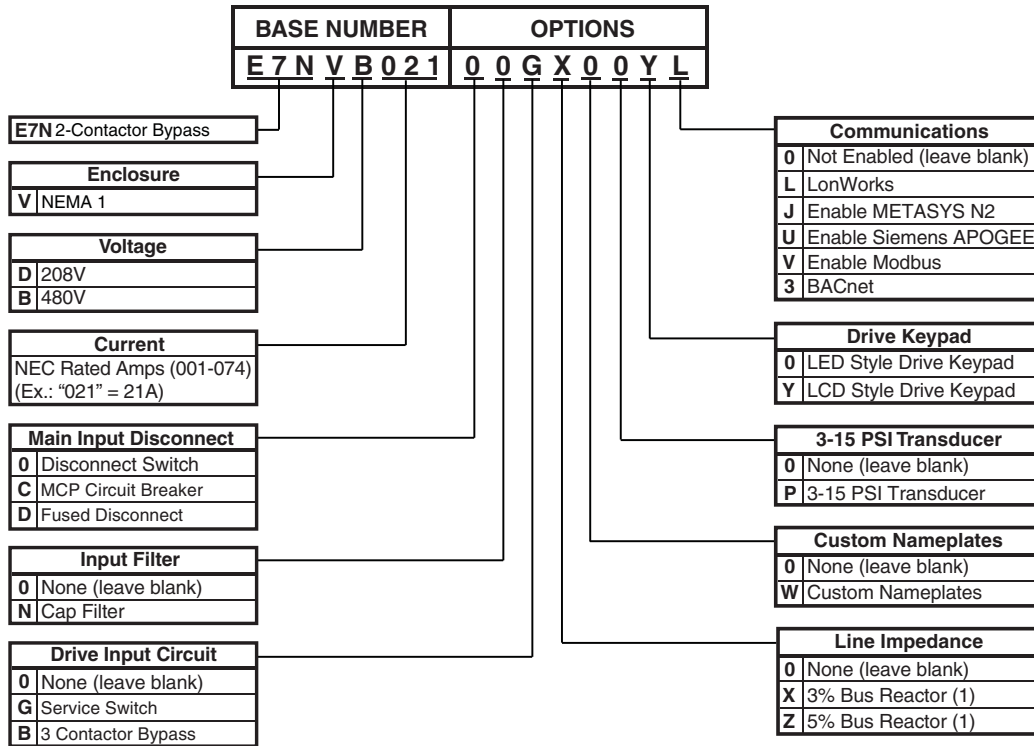


Fig 1.3 Bypass Unit Model Number

NOTE

(1) 3% and 5% DC Bus Chokes are only available as an option on base numbers up to E7NVB074 and E7NVB040. Larger drives have a DC Bus Choke as standard.

Bypass Product Options

■ Option B

3 Contactor bypass: Isolates the drive circuit by adding a separate drive input contactor (100 kA short circuit current rating is provided when using this option in conjunction with option D below).

■ Option C

Motor Circuit Protector (MCP)/Disconnect: Replaces the standard input disconnect switch and provides short circuit protection integral with the Drive and Bypass package. The MCP includes a through the door, padlockable operator mechanism. Without this option, short circuit protection must be provided by others on the input side of the Drive and Bypass unit.

■ Option D

Fused input disconnect replaces the standard input disconnect switch and provides 100kA of short circuit protection for the drive and bypass package.

■ Option G

Drive Input Disconnect Switch: Provides a disconnect means for the input side of the Drive, for Drive isolation capability during Bypass operation. This disconnect is located inside the enclosure with an integral operating handle.

■ Option J

Enable Embedded Serial Communications: A no cost option. The Drive in a Bypass unit is capable of network communication via one of 3 embedded protocols. Specifying option J will enable the Metasys N2 protocol and will provide the necessary parameter settings and wiring (jumpers) to be network ready when delivered (Project specific H5-0X parameters are setup by the user).

■ Option L

Serial Communication, Echelon LonWorks: An isolated RS-422/485 circuit board provides LonTalk protocol for network communication to a BAS. This option plugs into the CN2 connection on the Drive control circuit board.

■ Option N

Input Capacitive Network Radio Frequency Interference Filter: Electronic equipment can be sensitive to low levels of voltage distortion and electrical noise. This passive wye-delta capacitive filter is intended for installation on the VFD input in order to protect other sensitive electronic loads, it provides attenuation of conducted RFI and EMI.

■ Option P

Pressure to Electrical Transducer: This transducer is employed when converting a pneumatic signal to an electrical signal for use as the Drive speed command input. The need for this option comes up on retrofit applications when the pneumatic signal that formerly controlled the pneumatic actuator on Inlet Guide Vanes (IGV), for example, is now to be used to control the fan speed via the Drive. This option is wired to terminals TB5-7, TB5-8 and TB5-9, parameters H3-10 and H3-11 are used for final field calibration of this input if there is jobsite variation from the typical 3 to 15 PSIG pneumatic signal input range.

■ Option U

Enable Embedded Serial Communications: A no cost option. The Drive in a Bypass unit is capable of network communications via one of 3 embedded protocols. Specifying option U will enable the Siemens APOGEE protocol and provide the necessary parameter settings and wiring (jumpers) to be network ready when delivered (Project specific H5-0X parameters are setup by the user).

■ Option V

Enable Embedded Serial Communications: A no cost option. The Drive in a Bypass unit is capable of network communications via one of 3 embedded protocols. Specifying option U will enable the Modbus protocol and provide the necessary parameter settings and wiring (jumpers) to be network ready when delivered (Project specific H5-0X parameters are setup by the user).

■ Option X

3% DC Bus Reactor: Attenuates harmonic distortion by limiting the rate of rise of the input current. The bus reactor is wired to the Drive (+1) and (+2) DC bus terminals to provide the equivalent impedance of a 3% input reactor. This option is only used on the low end of the horsepower range where DC bus reactors are not a standard Drive component (25 HP and below @ 208 VAC, 25 HP and 30 HP and below @ 480 VAC.)

■ Option Y

LCD Keypad: Offers 5 lines of display with 16 characters on each line for expanded data presentation capability in English (or other language) format.

■ Option Z

5% DC Bus Reactor: Attenuates harmonic distortion by limiting the rate of rise of the input current. The bus reactor is wired to the Drive (+1) and (+2) DC bus terminals to provide the equivalent impedance of a 5% input reactor. This option is only used on the low end of the horsepower range where DC bus reactors are not a standard Drive component (25 HP and below @ 208 VAC, 25 HP and 30 HP and below @ 480 VAC.)

■ Option 3

Serial Communication, BACnet interface: An isolated RS-422/485 circuit board provides BACnet protocol for network communication to a BAS. This option plugs into the CN2 connection on the Drive control circuit board.

Bypass Component Descriptions

◆ Bypass Unit Front Control Panel

The external appearance, component names, and terminal arrangement of the Bypass unit is shown in Figures 1.4 through 1.8.

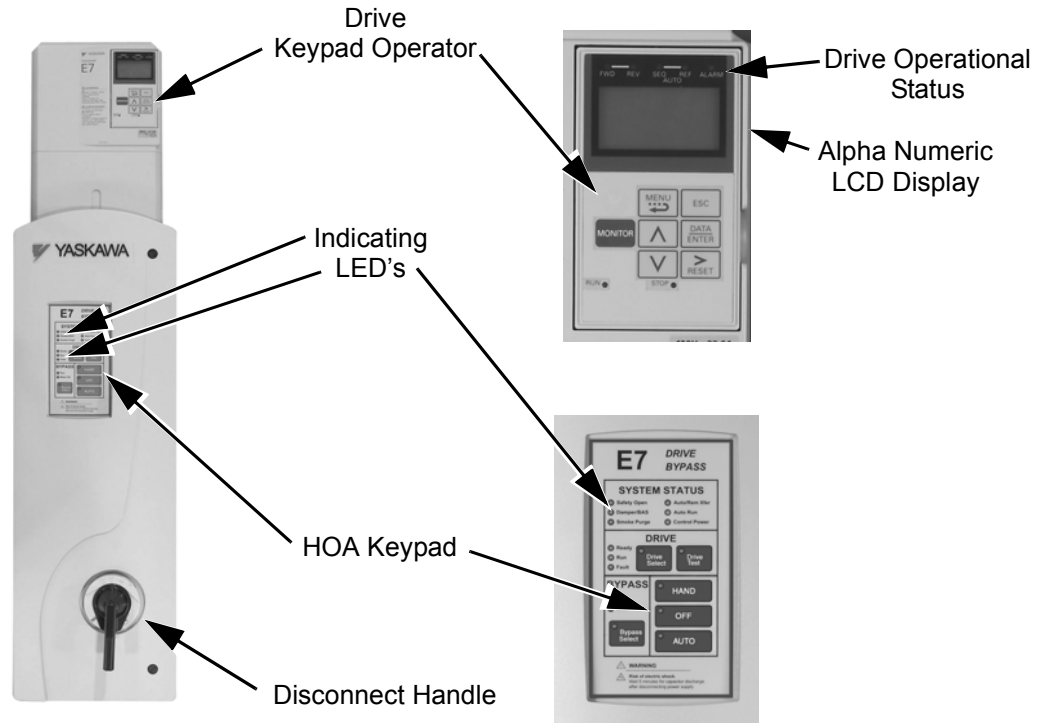


Fig 1.4 E7N Bypass Unit Appearance & E7N Control Panel with Keypad Operator Controls

■ Keypad Control Panel Operator

In a Bypass unit the Drive keypad control panel operator is mounted flush with the hinged door of the enclosure. The Keypad Control/Operator is equipped with 6 LED illuminated selector keys: Hand, Off, Auto, Drive Select, Bypass Select and Drive Test. The E7N also features 11 other status LED indicators: Control Power, Drive Ready, Drive Run, Drive Fault, Bypass Run, Motor O/L, Safety Open, Damper/BAS Interlock, Smoke Purge, Auto Transfer and Auto Run. The membrane over the Drive keypad is non-removable on these Bypass units (In order to use the keypad copy function on a Bypass unit - order a separate keypad, part number CDR001115).

The Keypad Control/Operator has a digital alpha/numeric display and keypad, in the upper portion, for Drive operation and programming. The row of LEDs above the alpha/numeric display indicate Drive operational status. The row of LEDs below the alpha/numeric display indicate the Drive menu that is presently active.

The lower portion of the Keypad Control/Operator displays the operating mode status via LEDs and controls the HAND/OFF/AUTO functions for both the Drive and Bypass via a touchpad. The general rule for LED colors, in the lower portion of the control panel, is:

- Green = Normal Status
- Amber = Abnormal Status
- Red = Fault Status

■ Input Disconnect Switch

Electrically located on the input power side of the Bypass unit, the disconnect provides a through the door padlockable operator mechanism. The Bypass three phase input power connection is made to the input terminals of the disconnect. The door mounted rotary operating mechanism is a convenient means of disconnecting the Bypass unit from line power for equipment maintenance. The disconnect must be in the OFF position in order to open the enclosure door. The rotary handle can be padlocked in the OFF position.

This disconnect switch DOES NOT provide branch short circuit protection. A device to provide branch short circuit protection MUST be provided by others upstream of the E7N Bypass unit.



Fig 1.5 Disconnect Handle Positions – OFF, ON Shown in the “OFF” position



Fig 1.6 Disconnect Handle Positions – Shown OFF, With Padlock

◆ Internal Bypass Panel

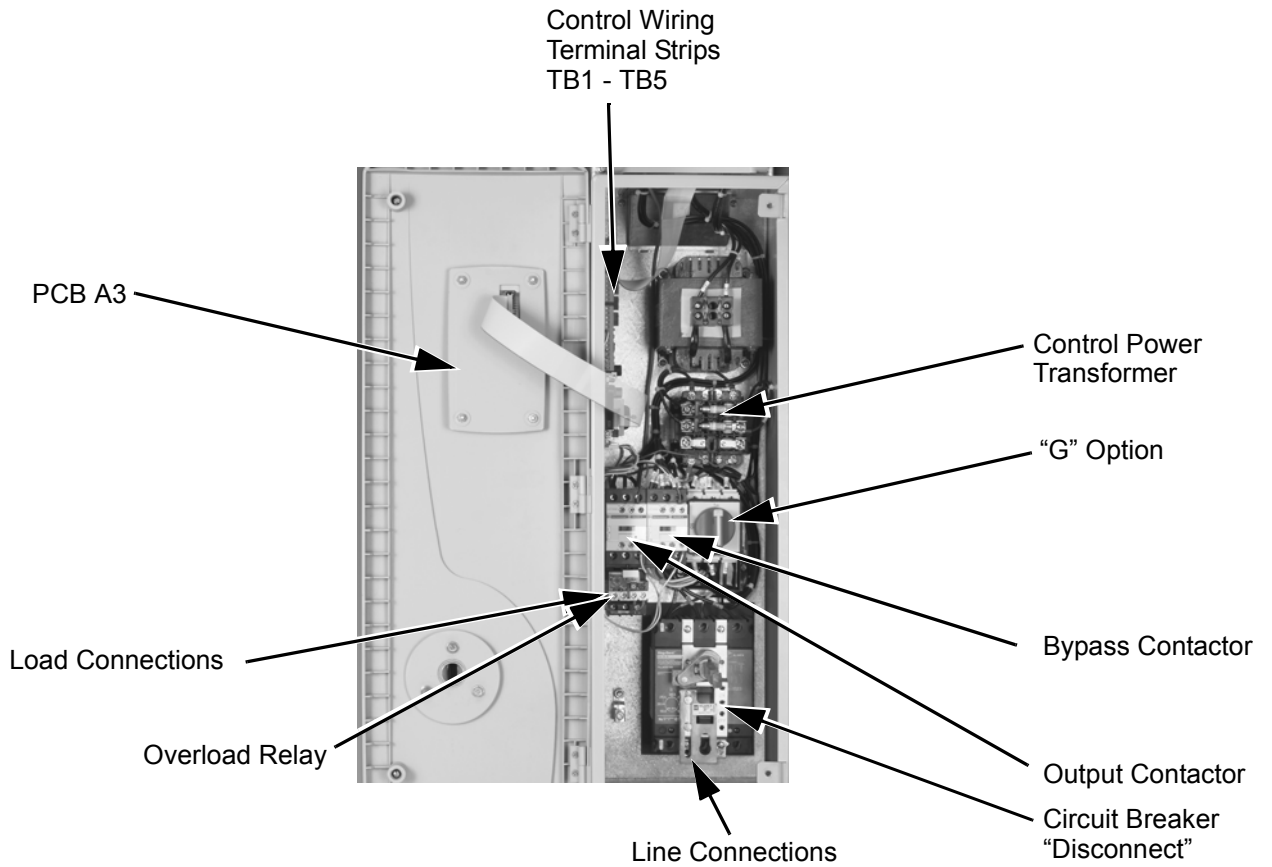


Fig 1.7 Internal Bypass Panel

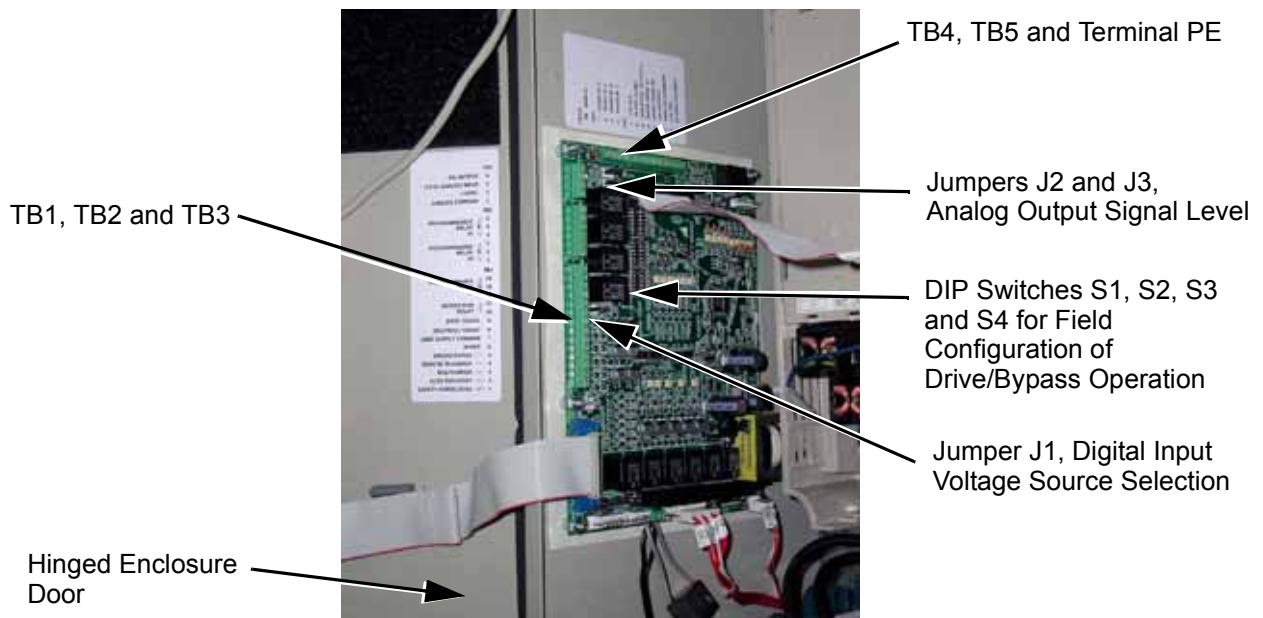


Fig 1.8 PCB A2 Control Logic and Connections

■ Contactors

The Bypass is a “2 contactor” or “3 contactor” Bypass circuit employing IEC rated contactors in an electrically interlocked arrangement to allow mutually exclusive operation in Drive or Bypass modes.

The control logic and “soft start” characteristic of the Drive limit the Drive input and output contactors to motor FLA current or less. For this reason, the Drive output contactor has a lower current rating than the Bypass contactor. The Bypass contactor is exposed to motor inrush current (LRA) when starting the motor across-the-line and therefore requires a higher current rating.

■ OverLoad Relay

The OverLoad Relay (OLR) is mounted to the contactor assembly or back panel (depending on rating), just above the Bypass contactor (see Figure 1.7). Electrically on the output power side of the Bypass unit, the adjustable thermal OLR provides overload protection for the motor in both the Drive and Bypass operating modes. The Bypass three phase output power connection to the motor is made to the output terminals of the overload relay. The OLR is set up in the factory to be a manual reset device, requiring operator attention if an overload trip-out is experienced.

■ Control Power Transformer

A Control Power Transformer (CPT) is provided to power the Bypass 120 VAC control circuit. The VA capacity is determined by the control circuit and optional functions specified for the unit. The CPT primary is fused in both legs, the secondary is fused when required by NEC (transformer VA and wire size dependent). One side of the transformer secondary is grounded to the Bypass enclosure.

■ Electronic Bypass Control Logic

Operating elements such as indicating LEDs and selector buttons, as well as the control logic, have been incorporated into a PCB assembly to eliminate the potential for loose wires after shipment and to control factory costs.

The operating elements are located on PCB A3, mounted to the inside of the enclosure door and ribbon cable connected to the control logic PCB A2.

The control logic PCB A2 is mounted to the left hand side of the enclosure and contains the control circuit field wiring terminal strips (TB1 through TB5).

■ Drive/Bypass logic interlocks explained

The Bypass 120 VAC logic circuit is interconnected with the Drive multi-function digital input terminals and multi-function digital output terminals to allow a single customer interface to control both Drive and Bypass circuits. These Drive terminals are therefore not available for other field use. All field control connections are landed at terminal strips TB1 through TB5 on control logic PCB A2.

■ PCB Jumpers explained

J1 is a field configuration jumper to allow the user to select the internal 120 VAC power supply, a customer supplied 120 VAC power supply or a customer supplied 24 VDC power supply for the digital inputs.

J2 and J3 are field configuration jumpers to allow the user to select the signal level (0 to 10 VDC or 4 to 20 mA) for the two analog output signals.

■ DIP Switch Selectable Functions:

The DIP switches used to select these functions are located on the logic controller Printed Circuit Board (PCB) A2 (See Figure 1.9). The factory default is shown on the wiring diagram in Chapter 2 or Schematic diagram DS.E7N.01.

DIP switches S1, S2, S3 and S4 allow the user to configure various project specific functions of the E7N including:

- Serial Communication terminating resistor
- Speed command source
- Analog input signal level
- Activate or inactivate functions:
 - Auto transfer to Bypass on Drive Fault
 - Safety interlock circuit
 - BAS interlock circuit
- Power-up mode selection
- Function of 3 SPDT programmable output relays:
 - Annunciate Running in Bypass mode
 - Damper actuator energized - employed to energize damper actuator
 - Annunciate Auto-Transfer to Bypass
 - Annunciate Running in Drive mode
 - Annunciate Run command received from serial comm
 - Annunciate Hand mode
 - Annunciate Auto mode
 - Annunciate Drive, motor or control fault

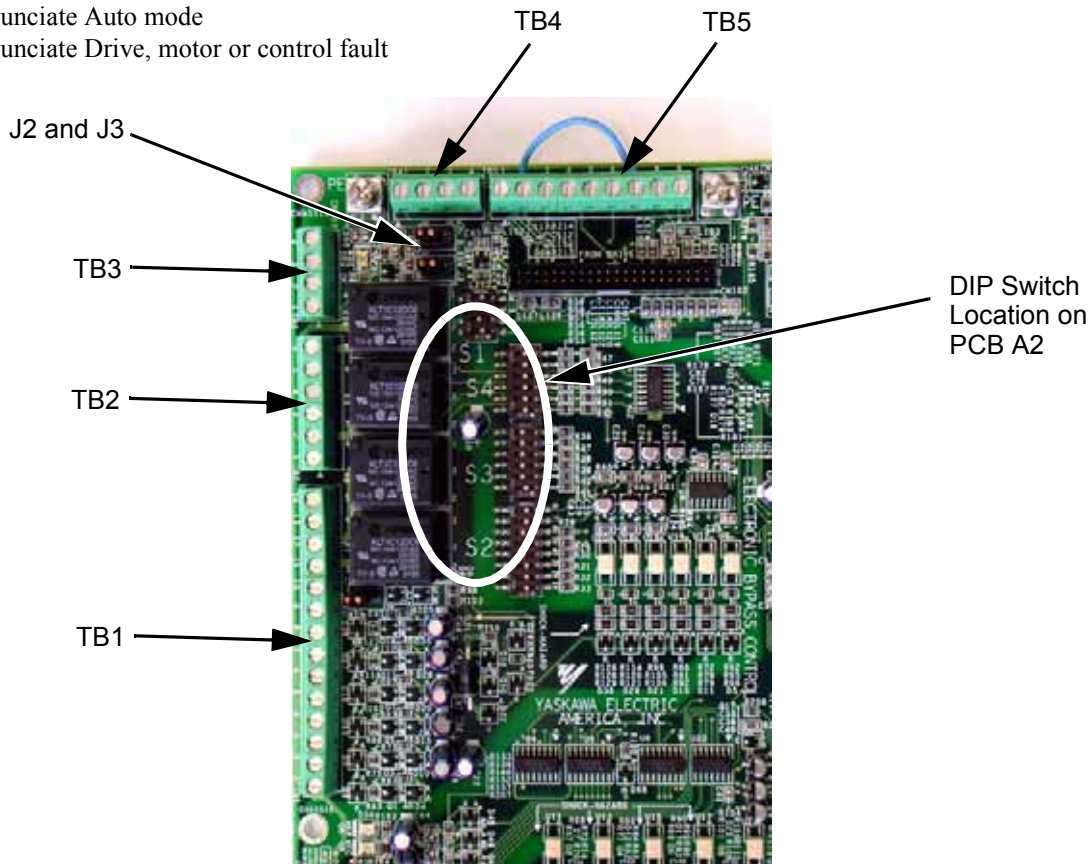


Fig 1.9 Printed Circuit Board A2, DIP Switches for Drive/Bypass Operational Configuration



DIP Switches are “ON” when moved toward the enclosure door.

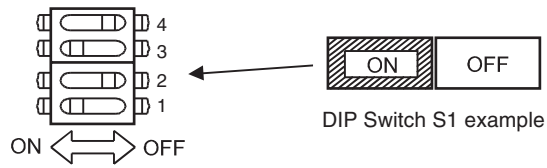
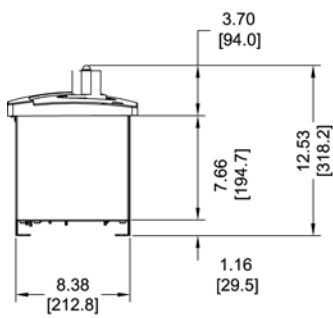
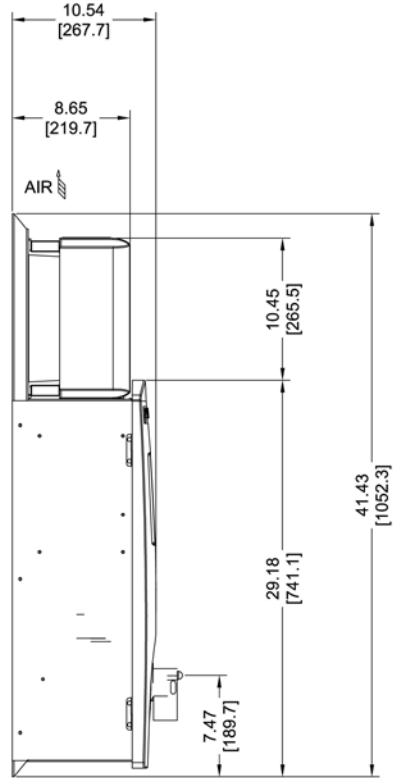
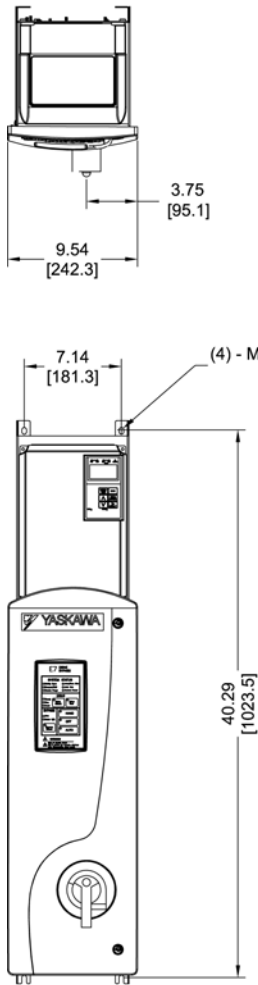


Fig 1.10 DIP Switches S1 to S4 for Drive/Bypass Operational Configuration

Exterior and Mounting Dimensions

FOR REFERENCE ONLY UNLESS PROPERLY ENDORSED



NOTES:

1. LED OPERATOR SHOWN
2. MAXIMUM DIMENSIONS SHOWN WHEN APPLICABLE
3. DIMENSIONS ARE IN inch [mm].

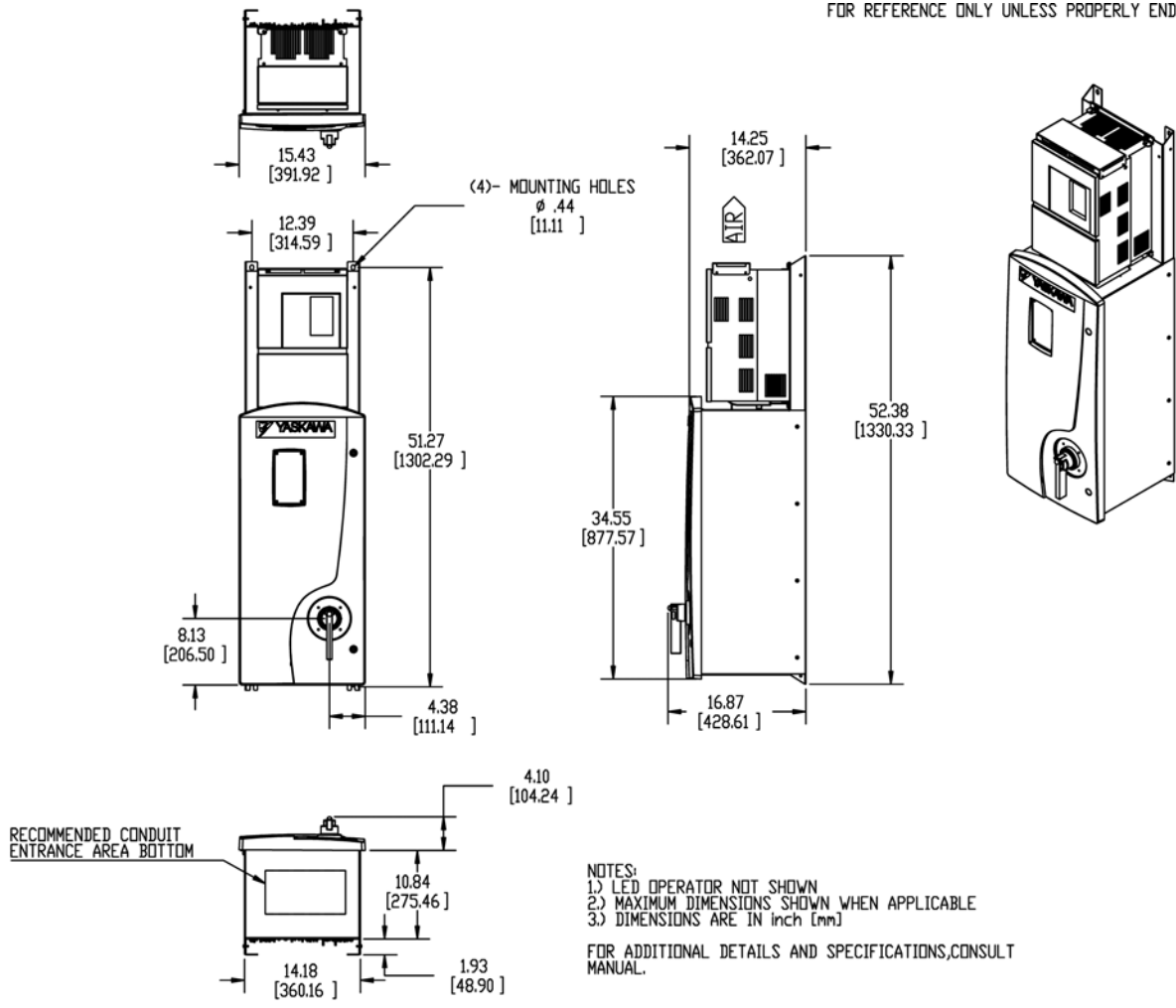
PROJECT NAME:	_____
SYSTEM/TAG #:	_____
MODEL #:	_____
HP:	_____
AMPS:	_____
VOLTS:	_____
WEIGHT:	_____

FOR ADDITIONAL DETAILS AND SPECIFICATIONS, CONSULT MANUAL

Drawing Number:
DD.E7N.203.01

Fig 1.11 Enclosure 1 for up to 10 HP, 208 VAC and up to 20 HP, 480 VAC
 NEMA 1

FOR REFERENCE ONLY UNLESS PROPERLY ENDORSED



PROJECT NAME:	_____
SYSTEM/TAG #:	_____
MODEL #:	_____
HP:	_____
AMPS:	_____
VOLTS:	_____
WEIGHT:	_____

FOR ADDITIONAL DETAILS AND SPECIFICATIONS, CONSULT MANUAL

Drawing Number:

DD.E7N.255.01

Fig 1.12 Enclosure 2 for 15 ~ 25 HP, 208 VAC and 25 ~ 50 HP, 480 VAC
NEMA 1

◆ Dimensions and Weights

Table 1.5 Bypass Dimensions and Weights

Rated Input Voltage	Continuous Output Current (Amps)	Nominal HP ⁽¹⁾	Bypass E7N-	NEMA 1 Dimensions inches (mm)			Wall Mounting Dimensions H x W	Drawing Number	Weight (lbs) ⁽³⁾
				Height ⁽²⁾	Width	Depth			
208V	2.4	1/2	D002	41.43 (1052.3)	8.38 (212.9)	11.5 (292.1)	40.29" H 7.14" W	DD.E7N.203.01	70 lbs
	3.5	3/4	D003						
	4.6	1	D004						
	7.5	2	D007						
	10.6	3	D010	52.38 (1330.4)	15.43 (391.9)	14.25 (361.9)	51.27" H 12.39" W	DD.E7N.255.01	150 lbs
	16.7	5	D016						
	24.2	7.5	D024						
	30.8	10	D030						
46.2	15	D046	52.38 (1330.4)	15.43 (391.9)	14.25 (361.9)	51.27" H 12.39" W	DD.E7N.255.01	150 lbs	
59.4	20	D059							
74.8	25	D074							
480V	1.1	1/2	B001	41.43 (1052.3)	8.38 (212.9)	11.5 (292.1)	40.29" H 7.14" W	DD.E7N.203.01	70 lbs
	1.6	3/4	B002						
	2.1	1	B003						
	3.4	2	B004						
	4.8	3	B007	52.38 (1330.4)	15.43 (391.9)	14.25 (361.9)	51.27" H 12.39" W	DD.E7N.255.01	150 lbs
	7.6	5	B011						
	11	7.5	B014						
	14	10	B021						
	21	15	B027	52.38 (1330.4)	15.43 (391.9)	14.25 (361.9)	51.27" H 12.39" W	DD.E7N.255.01	150 lbs
	27	20	B034						
	34	25	B040						
	40	30	B052						
52	40	B065							
	65	50	B065						

(1) Horsepower rating is based on standard NEMA B 4-pole motor design

(2) Height dimension includes the mounting screw tabs.

(3) Data represents the total weight of the drive with all possible standard options, not shipping weight.

Checking and Controlling Installation Site

Install the Bypass unit as described below and maintain the specified operating conditions.

◆ Installation Site

Location of the Bypass unit is important to achieving proper performance and design operating life. Install the Bypass unit as close as possible to the motor. The NEMA type 1 enclosed units should be installed in an area where it will be protected from: Direct sunlight, rain or moisture, corrosive gasses or liquids, vibration and dust or metallic particles. The ambient air available for cooling the unit should be 104° F (40° C) or less.

Wall mount units require a minimum 6 inch clearance above and below, to achieve adequate heat sink cooling.

No side clearance is required for cooling because the cooling air flow is in and out of the enclosure door at the front surface of the unit (do not block the air flow louvers). Clearance for the opening swing of the enclosure door should be considered when placing these units. The door is hinged on the left and must open through at least a 90 degree swing with a 120 to 180 degree swing being preferable (minimum clearance is 1.5”).

Install the Bypass unit under the following conditions in UL pollution degree 1 & 2 environments. This excludes wet locations where surfaces may become conductive due to moisture and contaminant loading.

Type	Ambient Operating Temperature	Humidity	Plenum Rated
NEMA Type 1	14 to 104°F (-10 to + 40°C)	95% RH or less (no condensation)	Yes

Observe the following precautions when mounting the Bypass unit.

- Install the Bypass unit in a clean location that is free from oil mist and dust.
- Install the Bypass unit in an environment where metal shavings, oil, water, or other foreign matter will not get into the Bypass enclosure.
- Install the Bypass unit in a location free from radioactive materials.
- Install the Bypass unit in a location free from harmful gasses and liquids.
- Install the Bypass unit in a location without excessive vibration.
- Install the Bypass unit in a location free from chlorides.
- Install the Bypass unit in a location not in direct sunlight.
- Install the Bypass unit on a non-combustible surface.

◆ Controlling the Ambient Temperature

To enhance the reliability of operation, the Bypass unit should be installed in an environment free from extreme temperature variations. Do not store this Technical Manual or any other documents on the top surface of the Bypass unit, they may cover the heat sink cooling air discharge opening and cause the unit to overheat.

If the Bypass unit is installed in an enclosure (such as an electrical control box in an air handling unit), use a cooling fan or air conditioner to maintain the Bypass unit internal air temperature below 113°F (45°C).

◆ Protecting the Bypass Unit from Foreign Matter

During Bypass unit installation and project construction, it is possible to have foreign matter, such as metal shavings or wire clippings, fall inside the Bypass unit. To prevent foreign matter from falling into the Bypass unit, place a temporary cover over the unit.

Always remove the temporary cover from the Bypass unit before start-up. Otherwise, ventilation will be reduced, causing the Bypass unit to overheat.

◆ Installation Orientation and Enclosure Considerations

Install the Bypass unit vertically so as not to reduce the cooling efficiency. When installing the Bypass unit, always provide the recommended installation clearances to allow normal heat dissipation.

When preparing to mount the unit, lift it by the base (or lifting rings when provided), never by the enclosure door. For effective cooling and proper maintenance, the wall mounted units must be installed on a flat non-flammable vertical surface using four mounting screws.

For all units, the Disconnect handle should be in the OFF position to open the enclosure door. The wall mount units have two full turn fasteners, CCW to open, that require a flat blade screwdriver to open the enclosure door.

Notes:

Chapter 2

Electrical Installation

This chapter describes wiring and the electrical installation process for a Drive and Bypass unit.

Termination Configuration - Power Wiring	2
Field Wiring, Pressure Wire Connector, Wire Type, Range and Tightening Torque Specifications	3
Cable Length between Drive and Motor	4
Grounding	5
Wire Routing	6
E7 Drive Main Circuit Configurations 208 VAC	7
E7 Drive Main Circuit Configurations 480 VAC	7
Control Wiring	8
Bypass Field Control Wire Landing	8
Annunciation Contacts	9
Building Automation System Run/Stop Circuit:	10
Safety Interlock Circuit:	10
Building Automation System Interlock Circuit (Drive and Bypass enable input):	10
Analog Inputs	12
Analog Outputs	14
Serial Communications	15
Remote Transfer to Bypass	17
Smoke Purge Operation	17
Multi-Function Digital Inputs	17
DIP Switch Programmable Functions Summary	18
Bypass Controller PCB	19
Wiring Checks	20
Control Circuit Wiring Precautions	20
Bypass Control Circuit Terminal Functions	21
Wiring Diagram	23
Electrical Overview	24

Termination Configuration - Power Wiring

The input disconnect switch is located in the upper right hand side of the Bypass unit. The three phase input power connection is made to the input terminals of the disconnect. See Figure 2.1 for a representative example. The OverLoad Relay (OLR) is mounted to the contactor assembly or back panel (depending on rating), just above the bypass contactor. The Bypass three phase output power connection to the motor is made to the output terminals of the OverLoad Relay.

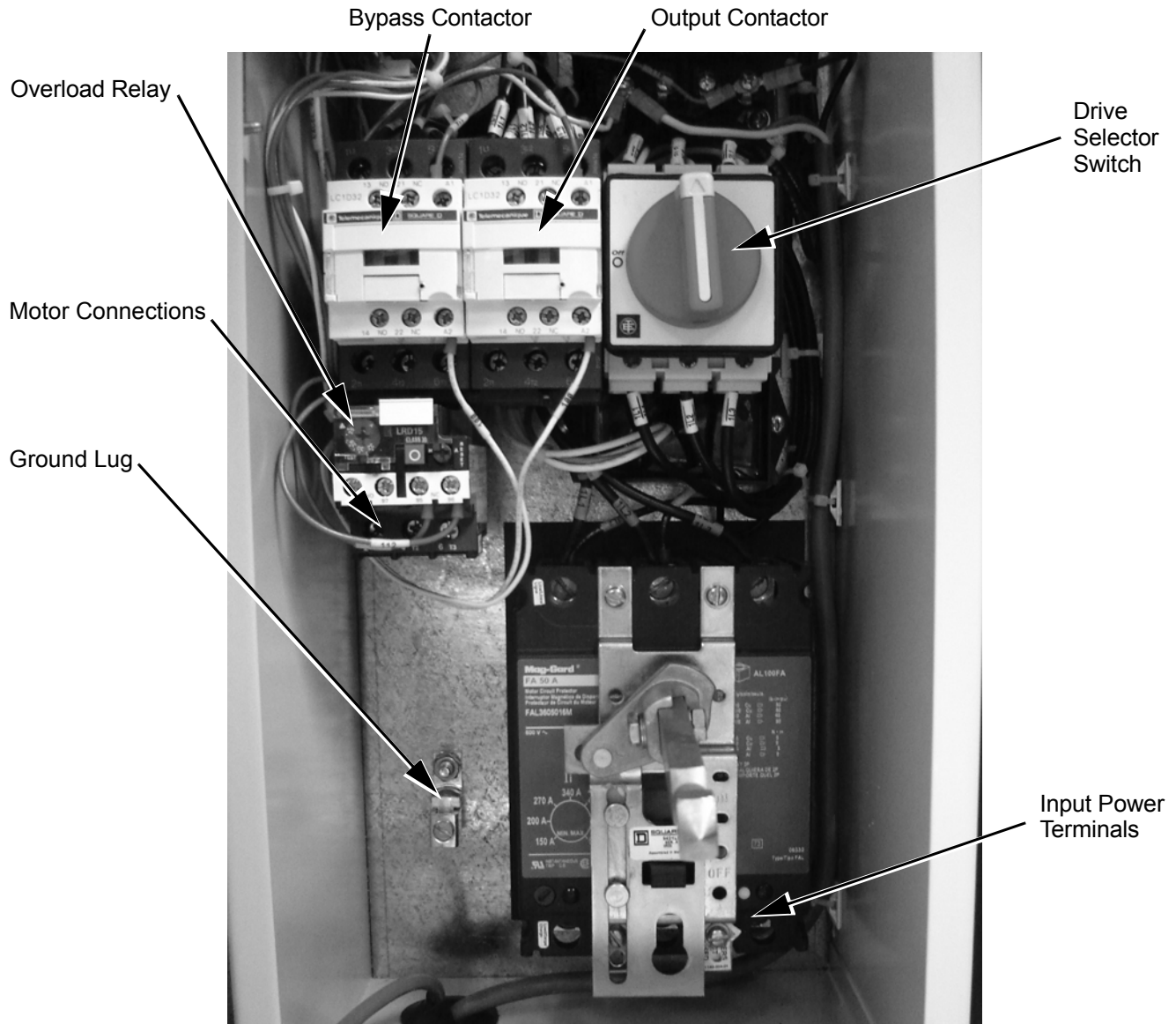


Fig 2.1 Typical Input Power Connection

◆ Field Wiring, Pressure Wire Connector, Wire Type, Range and Tightening Torque Specifications

CUSTOMER WIRING REQUIREMENTS												
<ul style="list-style-type: none"> • FOR 0 TO 100 AMPS, USE A MINIMUM OF 60°-75°C COPPER WIRE. • FOR ABOVE 100 AMPS, USE A MINIMUM OF 75°C COPPER WIRE. 												
TABLE 2		A.C. LINE WIRING										
E7 BYPASS MODEL NO. BASE NUMBER E7NVXXXX		OPTION C INPUT CIRCUIT BREAKER MCP			OPTION D FUSED INPUT DISCONNECT SWITCH			STANDARD NON-FUSED INPUT DISCONNECT SWITCH				
		MFG. PART NUMBER	CURRENT RATING (AMPS)	WIRE SIZE RANGE (AWG)	TIGHTENING TORQUE (LB.-IN.)	MFG. PART NUMBER	WIRE SIZE RANGE (AWG)	TIGHTENING TORQUE (LB.-IN.)	MFG. PART NUMBER	WIRE SIZE RANGE (AWG)	TIGHTENING TORQUE (LB.-IN.)	
208V	480V	B001	FAL36003	3	14 - 4	35	CFD30J3	18 - 8	17	V0	14 - 8	19
D002	B002	FAL36007	7	14 - 4	35	CFD30J3	18 - 8	17	V0	14 - 8	19	
D003	B003											
D004	B004											
D007	B007											
D010	B011	FAL36015	15	14 - 4	35	CFD30J3	18 - 8	17	V3	12 - 6	40	
D016	B014	FAL36030	30	14 - 4	35	CFD60J3	14 - 4	30	V4	6 - 2	50	
D024	B021	FAL36030	30	14 - 4	35	CFD60J3	14 - 4	30				
D030	B027	FAL36050	50	14 - 1/0	80	GS1GU3	10 - 3	58	V5	8 - 2/0	200	
D046	B034	FAL36050	50	14 - 1/0	80		GS1JU3	14 - 2/0				120
D059	B040	FAL36100	100	4 - 350 kcmil	250	GS1MU3	6 - 3/0	200	V6	8 - 2/0	200	
D074	B065	KAL36150	150	4 - 350 kcmil	250		6 - 3/0	200				

TABLE 3		A.C. MOTOR WIRING			EARTH GND. WIRING		CONTROL WIRING		
E7 BYPASS MODEL NO. BASE NUMBER E7NVXXXX		MOTOR OVERLOAD RELAY			GROUND LUG		TERMINAL BLOCKS TB1 - TB5		
		MFG. PART NUMBER	WIRE SIZE RANGE (AWG)	TIGHTENING TORQUE (LB.-IN.)	WIRE SIZE RANGE (AWG)	TIGHTENING TORQUE (LB.-IN.)	WIRE SIZE RANGE (AWG)	TIGHTENING TORQUE (LB.-IN.)	
208V	480V	B001	LRD06	18 - 8	15	14 - 10	35	22 - 14	4.4
D002	B002	LRD15	18 - 8	15	14 - 10	35	22 - 14	4.4	
D003	B003								
D004	B004								
D007	B007								
D010	B011	LR2 D35	10 - 1/0	100	8	40	22 - 14	4.4	
D016	B014								
D024	B021								
D030	B027								
D046	B034	LR2 D35	10 - 1/0	100	6 - 4	45	22 - 14	4.4	
D059	B040								
D074	B052								
	B065								

IMPORTANT

Determine the wire size for the main circuit so that line voltage drop is within 2% of the rated voltage. Line voltage drop is calculated as follows:

$$\text{Line voltage drop (V)} = \sqrt{3} \times \text{wire resistance } (\Omega/\text{km}) \times \text{wire length (m)} \times \text{current (A)} \times 10^{-3}$$

WARNING

Prior to removing any protective cover or wiring any part of the Drive, remove all power sources, including main input power and control circuit power. Wait a minimum of 5 minutes after power removal, before removing any cover. The charge lamp located within the Drive should be off prior to working inside. Even if the charge lamp is off, one must measure the AC input, output, and DC Bus potential to insure safe levels prior to resuming work. Failure to adhere to this warning may result in personal injury or death.

◆ Cable Length between Drive and Motor

The Bypass unit should be installed as close as possible to the motor to minimize the length of load side power cable needed between the Drive and the motor. If the cable between the Drive and the motor is long, the high-frequency leakage current will increase, causing the Drive output current to increase as well. This may affect peripheral devices. To prevent this, reduce cable length, or if necessary, adjust the carrier frequency (set in C6-02) as shown in Table 2.1.

The line side power cables, load side power cables and the control wiring should all be run in a separate conduit. Careful attention to this recommended design practice will avoid many potential motor and Drive related problems.

Motor Cable Length	164 ft. (50m) maximum	328 ft. (100m) maximum	More than 328 ft.(100m)
Carrier Frequency	15kHz maximum	10kHz maximum	5kHz maximum

(See the limitations on carrier frequency, based on Drive capacity and model number in Appendix B).

◆ Grounding

■ Drive and Motor Ground Wire Landing

The Drive ground lug (terminal $\frac{\perp}{\equiv}$) is connected to the enclosure. The enclosure ground lug must be connected to earth ground. See Figure 2.1.

The Drive has a second ground lug to accept the motor ground lead.

■ Ground Wiring Precautions

Observe the following precautions when connecting the ground wire:

1. 208 VAC Drives should have a ground connection with resistance of less than 100 Ω .
2. 480 VAC Drives should have a ground connection with resistance of less than 10 Ω .
3. Do not share the ground wire with other devices, such as large-current electrical equipment.
4. Always use a ground wire that complies with technical standards on electrical equipment and minimize the length of the ground wire. Leakage current flows through the Drive. Therefore, if the distance between the ground rod and the ground terminal is too long, potential on the ground terminal of the Drive will become unstable.
5. When using more than one Drive, be careful not to loop the ground wire.



Fig 2.2 Ground Wiring Examples

For grounding connection to earth ground see Figure 2.1.

■ Control Circuit Ground Terminals

The control logic PCB A2 provides a ground terminal (marked PE) to accept the control wire shield connection. Terminal PE is located at the top left of PCB A2, near TB4. The control wire shield should be connected on this end only, the opposite end should be isolated with electrical tape.

IMPORTANT

Grounding of the Bypass enclosure and motor is required for proper system operation.

◆ Wire Routing

The following Figures indicate suggested wire entry and bending areas for representative wall mount enclosures.

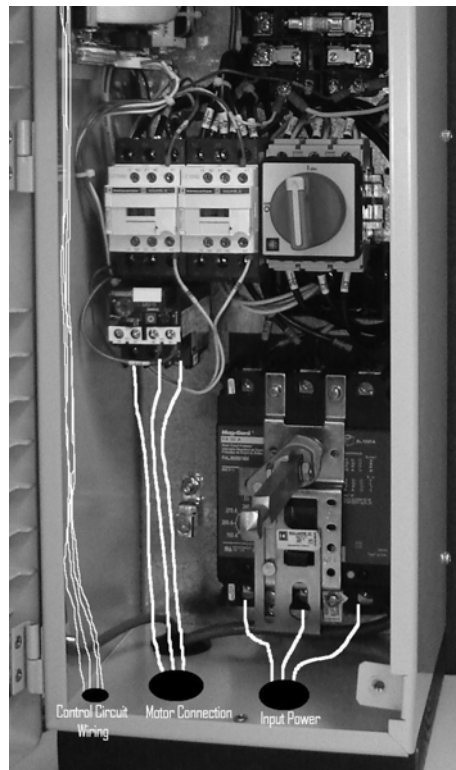


Fig 2.3 Typical Wall Mount Enclosure

◆ E7 Drive Main Circuit Configurations 208 VAC

Table 2.2 Drive Main Circuit Configurations	
208 VAC	
<p style="text-align: center;">CIMR-___20P4 to 2018 (1/2 Hp to 25 Hp)</p>	
<p>Note 1. Input fuses or molded case circuit breakers are required for proper branch circuit protection for all Drives. Failure to use recommended fuses/circuit breakers (See Appendix E) may result in damage to the wiring, Drive and/or personal injury.</p> <p>2. Control power is supplied internally from the main circuit DC power supply for all Drives.</p> <p>3. Consult your Yaskawa representative before using 12-pulse rectification.</p>	

◆ E7 Drive Main Circuit Configurations 480 VAC

Table 2.3 Drive Main Circuit Configurations	
480 VAC	
<p style="text-align: center;">CIMR-___40P4 to 4018 (1/2 Hp to 30 Hp)</p>	<p style="text-align: center;">CIMR-___4030 (40 Hp & 50 Hp)</p>
<p>Note 1. Input fuses or molded case circuit breakers are required for proper branch circuit protection for all Drives. Failure to use recommended fuses/circuit breakers (See Appendix E) may result in damage to the wiring, Drive and/or personal injury.</p> <p>2. Control power is supplied internally from the main circuit DC power supply for all Drives.</p> <p>3. Consult your Yaskawa representative before using 12-pulse rectification.</p>	

Control Wiring

◆ Bypass Field Control Wire Landing

The Bypass field control wiring is terminated on the control PCB A2, Terminal blocks TB1 through TB5. The terminal designations are labeled on the enclosure, adjacent to PCB A2 (see Figure 2.4). Route the control wiring as shown in Figure 2.3.

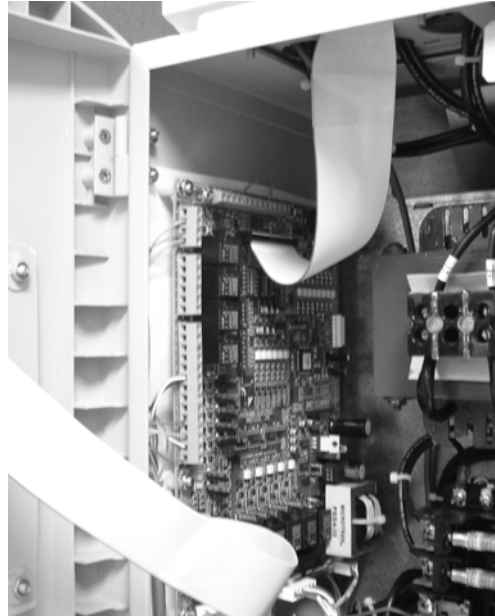


Fig 2.4 TB1 Control Terminal Locations, All Models

◆ Annunciation Contacts

Contacts for customer use are provided and wired to TB1 and TB2 as follows for use as annunciators of Bypass unit operation. All are 5 amp at 120 VAC contacts.

Function	Name (E7N-00)	Terminal Block	Terminals	Type
Motor Run	Motor Run *	TB1	10-11	Form A
Hand Mode	Relay 1 @	TB1	12-13-14	Form C
Auto Mode	Relay 2 @	TB2	1-2-3	Form C
System Fault	Relay 3 @	TB2	4-5-6	Form C

* = Dedicated

@ = Programmable

Programmable Output Relays 1, 2 and 3 may be re-programmed via DIP switches S2 and S3 on the Bypass Control PCB A2. These relays provide form C “dry contacts” for customer use in annunciation to Building Automation Systems or general duty in other control logic circuits. Each contact is rated for 5 amps at 120 VAC.

The additional programmable output relay functions are described in the table below:

Function	Description	Factory Default
Bypass Run	Annunciates running in Bypass mode	No
Damper Actuator	Intended to close a contact in a damper actuator circuit whenever the motor is commanded to run (operation similar to the dedicated “Motor Run” relay)	No
Auto Transfer	Annunciates automatic transfer to Bypass operation due to a Drive fault	No
Drive Run	Annunciates running in Drive mode	No
Serial Com Run	Annunciates that the run command is coming from serial communications	No
Hand Mode	Annunciates that the Drive or Bypass is being operated in Hand (local) mode	Relay 1
Auto Mode	Annunciates that the Drive or Bypass is being operated in Auto (remote) mode	Relay 2
System Fault	Annunciates that a Drive, motor overload or control circuit fault has occurred	Relay 3

See Table 2.6 for DIP switch positions required to achieve these functions.

No.	Function	Programmable Relay 1			Programmable Relay 2			Programmable Relay 3			Active*	Function Description
		S2(6)	S2(5)	S2(4)	S3(3)	S3(2)	S3(1)	S3(6)	S3(5)	S3(4)		
1	Bypass Run	OFF	OFF	OFF	OFF	OFF	OFF	OFF	OFF	OFF	ENERGIZED	Running in Bypass mode
2	Damper Coil	OFF	OFF	ON	OFF	OFF	ON	OFF	OFF	ON	ENERGIZED	Damper actuator activation
3	Auto Transfer	OFF	ON	OFF	OFF	ON	OFF	OFF	ON	OFF	ENERGIZED	Auto-Transfer is active
4	Drive Run	OFF	ON	ON	OFF	ON	ON	OFF	ON	ON	ENERGIZED	Drive is in the Run mode
5	Serial Com. Run	ON	OFF	OFF	ON	OFF	OFF	ON	OFF	OFF	ENERGIZED	Serial Comm. Run command
6	Hand Mode	ON	OFF	ON	ON	OFF	ON	ON	OFF	ON	ENERGIZED	Manual mode operation
7	Auto Mode	ON	ON	OFF	ON	ON	OFF	ON	ON	OFF	ENERGIZED	Auto mode operation
8	System Fault	ON	ON	ON	ON	ON	ON	ON	ON	ON	DEENERGIZED	Drive, motor or control fault
Factory Settings		ON	OFF	ON	ON	ON	OFF	ON	ON	ON		

* ACTIVE = RELAY CONDITION DURING FUNCTION

◆ Building Automation System Run/Stop Circuit:

A control terminal block position (TB1, terminals 2 and 9) is provided to connect the Normally Open (NO) Run/Stop contact from a BAS or other remote controller for auto mode control.

There must be continuity between these terminals in order for the motor to run, in auto mode.

◆ Safety Interlock Circuit:

A control terminal block position (TB1, terminals 1 and 9) is provided to connect the series circuit of Normally Closed (NC) safety devices such as: freeze up thermostats, smoke/fire sensors, high pressure limits, temperature limits or vibration detectors.

On power up the E7N will display a red “Safety Open” LED in the “System Status” area of the front control panel if a normally closed “Safety Circuit” has not been installed between TB1-1 and TB1-9 on PCB A2. This condition will prevent Drive or Bypass operation.

1 of 3 items needs to be done before the motor can be started:

- 1) Install a NC “Safety Circuit” between TB1-1 and TB1-9 on PCB A2.
- 2) Install a jumper between TB1-1 and TB1-9 on PCB A2. This method should be used if a “Safety Circuit” will be added later in the installation.
- 3) De-activate these terminals by moving DIP switch S2-7 to the ON position (toward the enclosure door). This solution is only suggested if a “Safety Circuit” will never be applied to the drive system.

◆ Building Automation System Interlock Circuit (Drive and Bypass enable input):

A control terminal block position (TB1, terminals 3 and 9) is provided to connect Normally Open (NO) enabling contacts such as: damper end switches or occupied cycle timers.

When a Run command is received in HAND or AUTO mode, the E7N will display a red “Damper/BAS” LED in the “System Status” area of the front control panel. This condition will prevent Drive or Bypass operation.

1 of 3 items needs to be done before the motor can be started:

- 1) Install a “BAS Interlock Circuit” between TB1-3 and TB1-9 on PCB A2.
- 2) Install a jumper between TB1-3 and TB1-9 on PCB A2. This method should be used if a “BAS Interlock Circuit” will be added later in the installation.
- 3) De-activate these terminals by moving DIP switch S2-8 to the ON position (toward the enclosure door). This solution is only suggested if a “Safety Circuit” will never be applied to the drive system.

◆ Analog Inputs

The Drive has two analog input terminals for use as auto mode speed command (terminals A1 & A2) and feedback (terminal A2) input.

Terminal	Signal Level
A1	0 to 10 VDC
A2	4 to 20 mA or 1 to 10 VDC (programmable via parameter H3-08 and DIP switch S1-2)

■ Control Circuit Analog Input Terminals on PCB A2

All control inputs are landed on TB1 through TB5 on PCB A2.

TB3-3 is an analog input terminal and may be connected to either Drive terminal A1 or Drive Terminal A2, to maximize input flexibility, using DIP switches S1-3 and S1-4. The factory default is TB3-3 connected to Drive terminal A2. With this connection, the input signal level can be either 0 to 10 VDC or 4 to 20 mA. The signal level selection is controlled by DIP switch S1-2 and Drive parameter H3-08.

TB5-9 is also an analog input terminal, it is always connected to Drive terminal A2.

See Table 2.8, Figure 2.5 and Schematic Diagram DS.E7N.01 for clarification of the analog input configuration and applications.

	DIP Switches			Drive Param. H3-08	Drive Terminal Connected	Applications		
	S1-2	S1-3	S1-4			Speed Command	Feedback	Diff. Feedback
TB3-3 Signal Level								
0 to 10 VDC	N/A	OFF	ON	N/A	TB3-3 to A1	X	X	X
4 to 20 mA	ON	ON	OFF	2	TB3-3 to A2	X	X	
0 to 10 VDC	OFF	ON	OFF	0	TB3-3 to A2	X	X	
TB5-9 Signal Level								
4 to 20 mA	ON	N/A	N/A	2	TB5-9 to A2	via 3-15 Transducer		
0 to 10 VDC	OFF	N/A	N/A	0	TB5-9 to A2			X

■ Analog Input PCB A2 Configuration

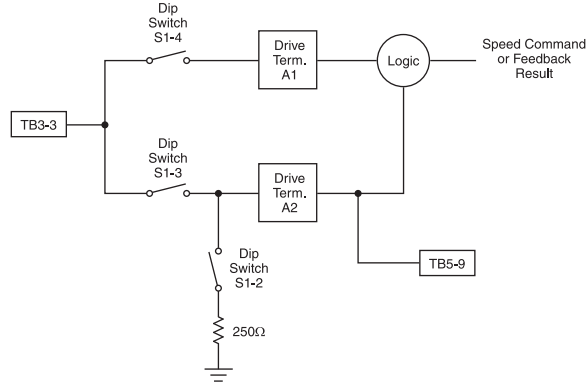


Fig 2.5 Analog Input PCB A2 Configuration

■ Analog Input (Drive Speed Control Circuit) Wiring

Keep this lead length as short as possible (50 m max.) to maintain signal quality. Insulated twisted shielded pair wire (2 conductor # 18 ga, Belden 8760 or equivalent) is required. Do not run these wires in the same conduits as other AC power or control wires. The shield must be connected on this end only, stub and isolate the other end. The signal employed is 4 to 20 mA with parameter H3-08 set for “2: 4 - 20 mA”. For 0 to 10 VDC, parameter H3-08 is set for “0: 0 - 10 VDC” and the control PCB DIP switch S1-2 must be in the OFF position.

When setting speed commands from an external speed potentiometer (and not from a Digital Operator), use shielded twisted-pair wires and ground the shield to terminal PE, as shown in Figure 2.6. Terminal numbers and wire sizes are shown in Table 2.13.

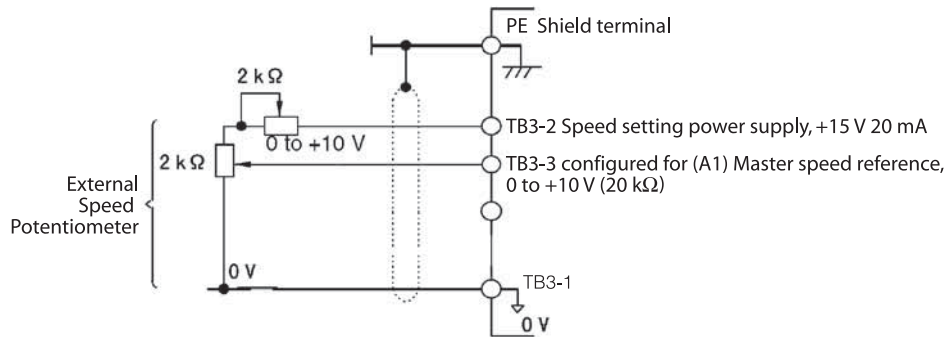


Fig 2.6 Analog Input Terminal Configuration

◆ Analog Outputs

Two analog outputs are provided, both can be configured for a signal level of 0 to 10 VDC or 4 to 20 mA. The signal level is controlled by the position of jumpers J2 and J3 (see Figures 1.8 and 1.9 for location) on Control PCB A2 and by the values selected for Drive parameters H4-07 and H4-08.

■ Configuring the Analog Outputs:

Terminals		Jumper Position			Drive		
Analog Output	AC Common	Signal Level	J2	J3	Terminal *	Parameter H4-07	Parameter H4-08
TB3-4	TB3-1	4-20 mA	1-2	N/A	FM	2: 4-20 mA	N/A
TB3-4	TB3-1	0-10 VDC	2-3	N/A	FM	0: 0-10 V	N/A
TB5-6	TB5-7	4-20 mA	N/A	1-2	AM	N/A	2: 4-20 mA
TB5-6	TB5-7	0-10 VDC	N/A	2-3	AM	N/A	0: 0-10 V

* = For Drive programming reference

■ Programming the Analog Outputs:

The TB3-4 and TB5-6 analog outputs can be programmed to be proportional to any of the following Drive variables.

Setting	Description	Setting	Description
1	Frequency Ref	20	SFS Output*
2	Output Freq	24	PI Feedback
3	Output Current	31	Not Used
6	Output Voltage	36	PI Input
7	DC Bus Voltage	37	PI Output
8	Output kWatts	38	PI Setpoint
15	Term A1 Level	51	Auto Mode Fref
16	Term A2 Level	52	Hand Mode Fref
18	Mot SEC Current	53	PI Feedback 2

* SFS is the internal soft starter signal. This signal is generated from the reference and often it passes through the accel/ decel functions.

See Page A-17 or the H4-0X parameters in the programming manual, TM.E7.02 for additional programming details.

◆ Serial Communications:

Terminals are provided for “full duplex” or “half duplex” connections to the Drive for RS422/RS485 serial communication. For “half duplex” operation via Metasys N2 protocol (enabled with option J), APOGEE FLN protocol (enabled with option U) or Modbus protocol (enabled with option V) field configuration of these terminals is required.

When no cost options J, U or V are ordered:

- Jumpers are provided for field installation on terminals TB4-1 to TB4-3 and TB4-2 to TB4-4.
- The E7 Drive is programmed to enable the appropriate protocol (parameter H5-08), baud rate (parameter H5-02), RTS control (parameter H5-07) and error detection time (parameter H5-09).

Option L (LonWorks) does not require jumpers and (with the exception of H5-07) employs the same parameter settings as Modbus.

Parameter (Function)	Option			
	J	U	V	L
H5-02 (Baud Rate)	3: 9600 Baud	2: 4800 Baud	3: 9600 Baud	3: 9600 Baud
H5-07 (RTS Control)	1: Enabled	1: Enabled	1: Enabled	0: Disabled
H5-08 (Protocol)	1: N2 (Metasys)	2: FLN (APOGEE)	0: Modbus	0: Modbus
H5-09 (Error Time)	10	10	10	10

For co-ordination with other E7 Technical Manuals, the table below provides the equivalency between E7N Control PCB A2 terminal designations and E7 Drive terminal designations used in TM.E7.01, TM.E7.02, TM.E7.21, TM.E7.22 and TM.E7B.01.

E7N RS485 Terminal	E7 Drive RS485 Terminal
TB4-1	S+
TB4-2	S-
TB4-3	R+
TB4-4	R-

■ Terminating Resistor

The terminating resistance must be turned ON only if the Drive is at the very end of the Serial Communication chain. Set the terminating resistance by turning ON DIP switch S1-1.

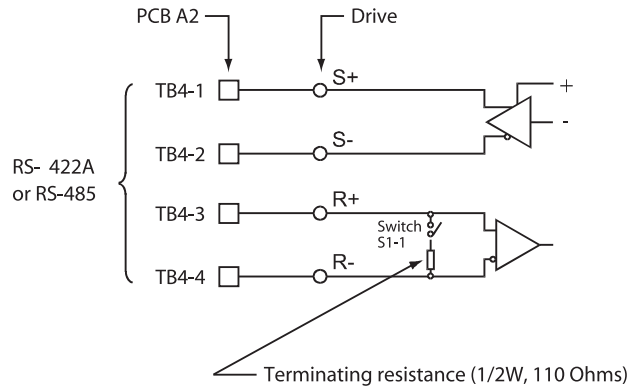


Fig 2.7 Terminating Resistor

IMPORTANT

1. Separate the communication cables from the main circuit cables and control circuit wiring.
2. Use shielded cables for the communication wiring, and use proper shield clamps.
3. When using RS-485 communication, connect TB4-1 to TB4-3, and TB4-2 to TB4-4, on the control circuit terminal board. See Fig 2.8 below.
4. Connect shield at one end only.

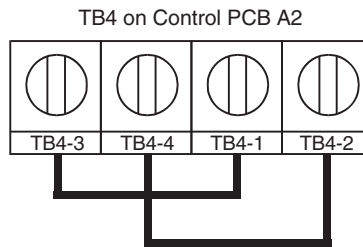


Fig 2.8 RS-485 Communication Connection

◆ Remote Transfer to Bypass

Terminal TB1-4 on the Control PCB A2 is a dedicated terminal for “Remote Transfer” to Bypass operation.

This function allows a contact closure from a BAS, between terminals **TB1-4** and **TB1-9**, to transfer motor operation from Drive mode to Bypass mode. This remote transfer to Bypass function overrides the **Drive Select** manual button. An open contact causes operation in Drive mode and a closed contact results in Bypass mode.

◆ Smoke Purge Operation

Terminal TB1-5 on the Control PCB A2 is a dedicated terminal for “Smoke Purge” operation.

This function allows a contact closure between terminals **TB1-5** and **TB1-9** to transfer motor operation to Bypass for a maximum capacity smoke control function. When in smoke purge mode, during emergency fire/smoke situations, the motor overloads and safety interlock circuit are overridden to shift the priority to protecting people rather than equipment.

[**Note:** Smoke purge overrides all other control inputs and selector buttons. Smoke purge operation can only be terminated by opening the contact closure at terminal **TB1-5** or by opening the disconnect switch (S1 on schematic DS.E7N.01).]

◆ Multi-Function Digital Inputs

The Bypass 120 VAC logic circuit is interconnected with the Drive multi-function digital input terminals to allow a single customer interface to control both Drive and Bypass circuits.

As a result, only Drive digital input terminals S6 and S7 are available for other uses. Drive Terminals S6, S7 and SN have been brought out to TB5-5, TB5-4 and TB5-2 respectively. See Appendix A and Chapter 5, parameter H1-04 and H1-05 for programming instructions.

◆ DIP Switch Programmable Functions Summary

DIP SWITCH	POS.	DESCRIPTION	SETTINGS		FACTORY SETTING
			ON	OFF	
S1	1	SERIAL COMMUNICATIONS TERMINATING RESISTANCE	IN	OUT	SEE TABLE 5.2
	2	DRIVE ANALOG INPUT 2 (A2) SIGNAL (H3-08="0", FOR 0-10VDC)	4-20MADC	0-10VDC	ON
	3	TB3(3) CONNECTED TO DRIVE ANALOG INPUT 2 (A2)	YES		ON
	4			YES	OFF
	3	TB3(3) CONNECTED TO DRIVE ANALOG INPUT 1 (A1)		YES	
	4		YES		
S2	1	AUTO TRANSFER TO BYPASS UPON A DRIVE FAULT	ACTIVE	INACTIVE	OFF
	2	POWER UP IN THE "OFF" OR "AUTO" MODE	AUTO	OFF	OFF
	3	POWER UP IN THE MAINTENANCE MODE	ACTIVE	INACTIVE	OFF
	4-6	SEE TABLE 2.6			
	7	SAFETY INTERLOCKS AT TB1(1)	INACTIVE	ACTIVE	OFF
S3	8	BAS/DAMPER INTERLOCKS AT TB1(3)	INACTIVE	ACTIVE	OFF
	1-6	SEE TABLE 2.6			SEE TABLE 5.2
S4	1	RESERVED FOR FUTURE EXPANSION MUST BE AT FACTORY SETTING	ACTIVE	INACTIVE	OFF
	2	SPEED COMMAND FROM DRIVE TERMINAL A2, WITH SERIAL COMM.	YES	NO	
	3	RESERVED FOR FUTURE EXPANSION MUST BE AT FACTORY SETTING	ACTIVE	INACTIVE	OFF
	4	RESERVED FOR FUTURE EXPANSION MUST BE AT FACTORY SETTING	ACTIVE	INACTIVE	OFF
	5	RESERVED FOR FUTURE EXPANSION MUST BE AT FACTORY SETTING	ACTIVE	INACTIVE	OFF
	6	RESERVED FOR FUTURE EXPANSION MUST BE AT FACTORY SETTING	ACTIVE	INACTIVE	OFF

■ Auto Transfer to Bypass

When enabled (DIP switch S2-1 ON), the Bypass unit will automatically switch into Bypass mode on a Drive fault. After clearing the Drive fault condition, the function resets by moving the disconnect switch to the **OFF** position and waiting for the keypad to go blank. **CAUTION:** Before selecting this function in fan applications, care must be taken to ensure that the ductwork is designed to handle the pressure resulting from full speed operation with the VAV terminal unit dampers at minimum position or closed. The factory default for this function is disabled.

■ Power Up Mode

The Drive/Bypass electronic interface can be configured (via a DIP switch) to be in the AUTO mode or OFF when power is applied to the unit. This function is controlled by DIP switch S2-2, ON for AUTO operation on power up. The factory default is to power up to the OFF mode.

◆ Bypass Controller PCB

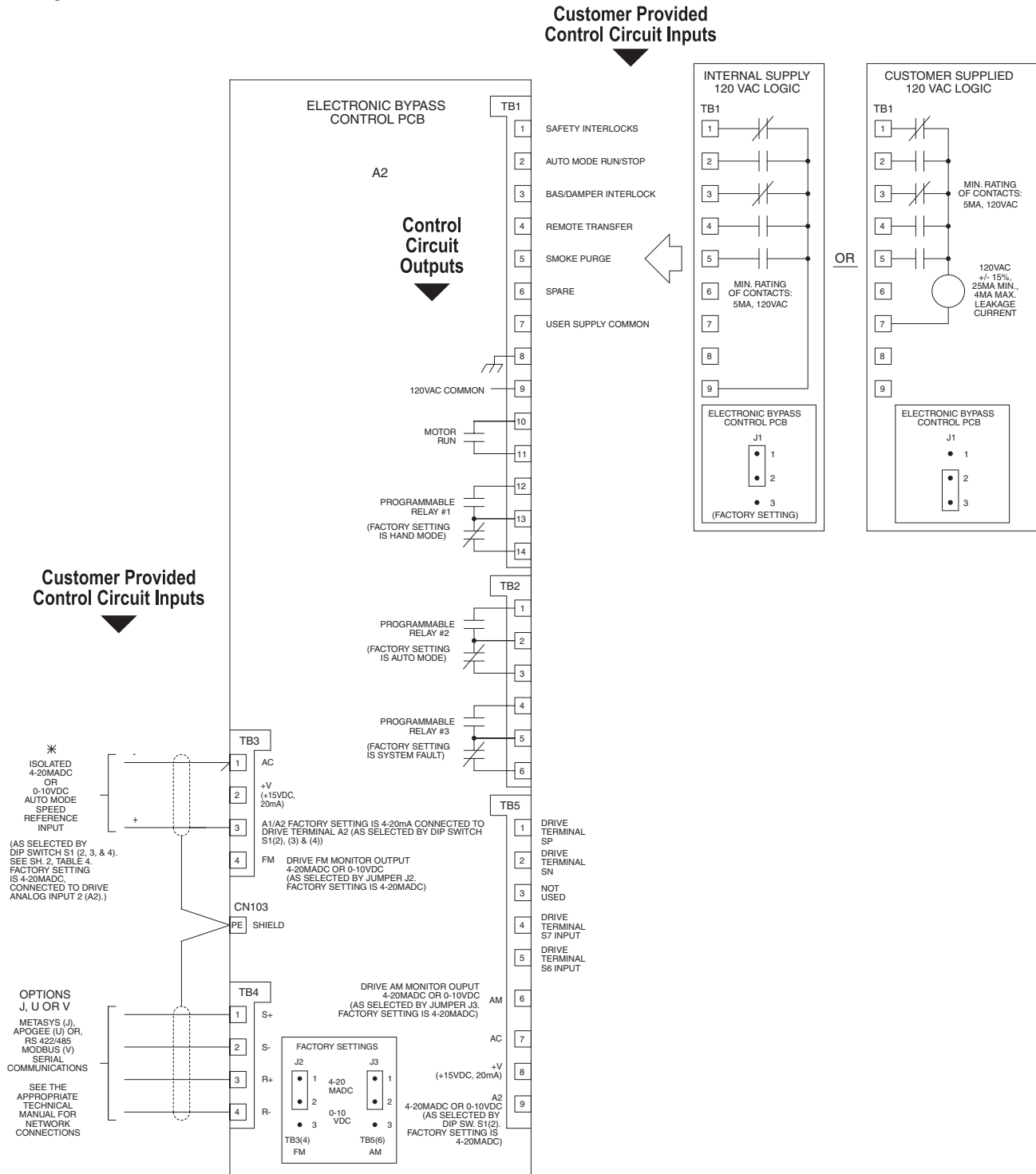


Fig 2.9 Bypass Control Circuit Inputs and Outputs

Customer provided contact closure inputs must have a minimum rating of 5 mA at 120 VAC.

Terminals	Terminal Screws	Tightening Torque lb.-in. (N•m)	Possible Wire Sizes AWG (mm ²)	Recommended Wire Size AWG (mm ²)	Wire Type
TB1-1 to 14 TB2-1 to 6 TB3-1 to 4 TB4-1 to 4 TB5-1 to 9	Phoenix type *3	4.2 to 5.3 (0.5 to 0.6)	Stranded wire: 26 to 16 (0.14 to 1.5)	18 (0.75)	<ul style="list-style-type: none"> • Shielded, twisted-pair wire*1 • Shielded, polyethylene-covered, vinyl sheath cable
PE	M3.5	7.0 to 8.8 (0.8 to 1.0)	20 to 14 (0.5 to 2*2)	12 (1.25)	

*1. Use shielded twisted-pair cables to input an external speed command.
 *2. We recommend using straight solderless terminals on digital inputs to simplify wiring and improve reliability.
 *3. We recommend using a thin-slot screwdriver with a 3.5 mm blade width.

◆ Wiring Checks

After all wiring is completed, perform the following checks:

1. Is all wiring correct?
2. Have all wire clippings, screws or other foreign material been removed from the Drive and Bypass enclosure?
3. Are all terminal screws tight?

◆ Control Circuit Wiring Precautions

Observe the following precautions when wiring control circuits:

1. Separate control wiring from power/motor wiring and other high-power lines.
2. Separate wiring for control circuit terminals for digital outputs from wiring to other control circuit terminals.
3. If using an optional external power supply, it should be a UL Listed Class 2 power supply source.
4. Use twisted-pair or shielded twisted-pair cables for control circuits to prevent operating faults. Prepare cable ends as shown in Figure 2.10.
5. Connect the shield wire to terminal PE.
6. Insulate the shield with tape to prevent contact with other signal lines and equipment.

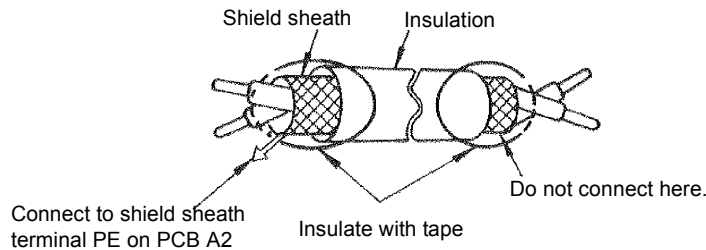


Fig 2.10 Preparing the Termination of Shielded Twisted-Pair Cables

◆ Bypass Control Circuit Terminal Functions

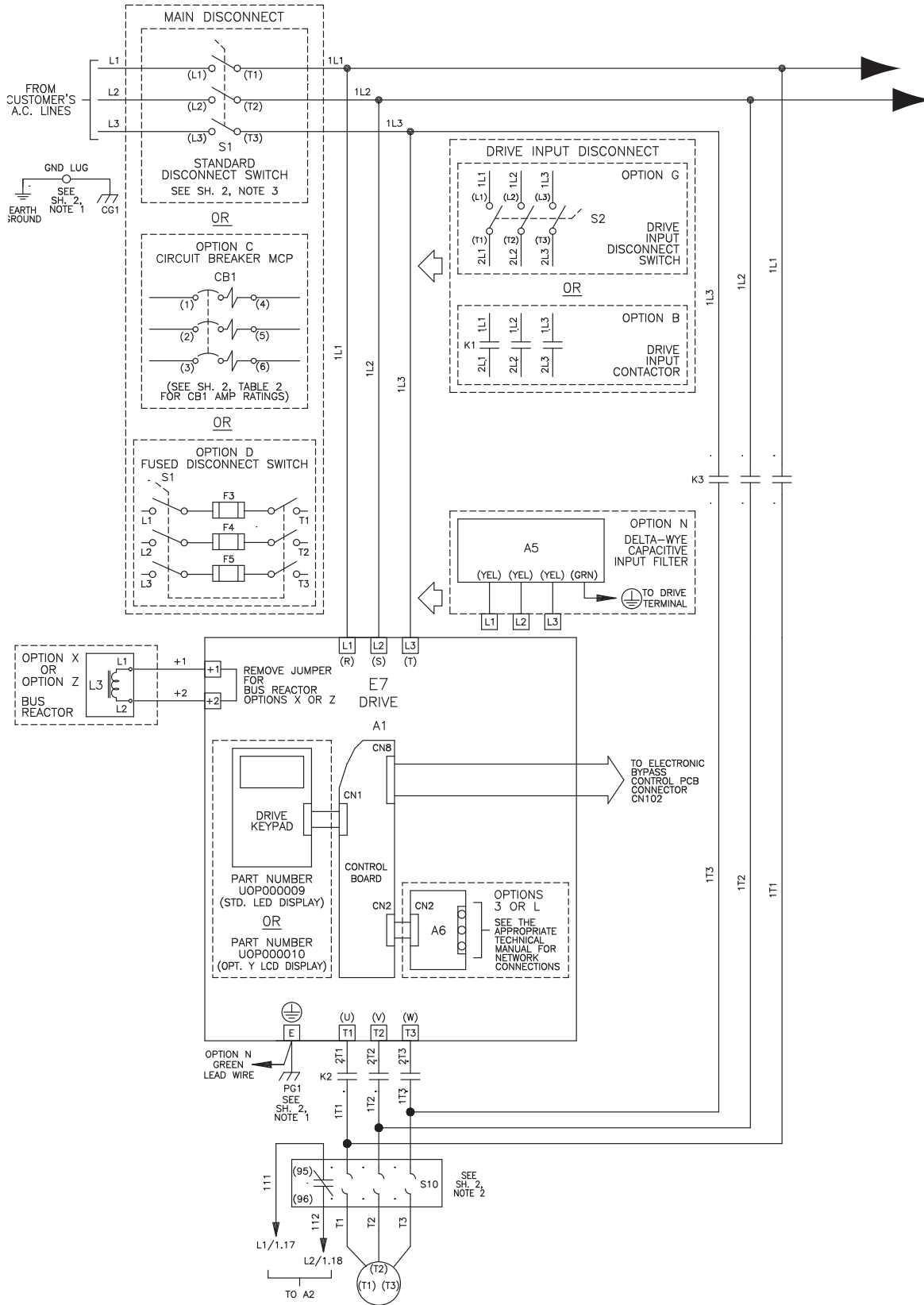
The functions of the control circuit terminals are shown in Table 2.15.

Type	No.	Signal Name	Function	Signal Level	
Digital input signals	TB1-1	NC Safety Circuit	Fault when OPEN	Dry Contacts	
	TB1-9				
	TB1-2	Auto Mode run/stop command	Run when CLOSED; stopped when OPEN.		
	TB1-9				
	TB1-3	BAS Interlock	Enable Drive when Closed		
	TB1-9				
	TB1-4	Remote Transfer	Transfer to Bypass when Closed		
	TB1-9				
	TB1-5	Smoke Purge	Transfer to Bypass when Closed		
	TB1-9				
	TB5-4	Drive Input Terminal S7	Programmable Input		
	TB5-2				
TB5-5	Drive Input Terminal S6	Programmable Input			
TB5-2					
Analog input signals	TB3-2	+15 VDC power supply	+15 VDC power supply for analog Transmitters	+15 VDC (Max. current: 20 mA)	
	TB3-3	Analog input or Speed Command when connected to Drive Terminal A2 by DIP switches S1-3 and S1-4	4 to 20 mA/100% or 0 to +10 VDC/100% (H3-08 and DIP switch S1-2)	Function set by H3-09.	4 to 20 mA(250Ω) 0 to +10 V(20 kΩ)
		Analog Input or Speed Command when connected to Drive Terminal A1 by DIP switches S1-3 and S1-4	0 to +10 VDC/100%		0 to +10 V(20 kΩ)
	TB5-9	Multi-function analog input connected to Drive terminal A2	4 to 20 mA/100% or 0 to +10 VDC/100% (H3-08 and DIP switch S1-2)	Function set by H3-09.	4 to 20 mA(250Ω) 0 to +10 V(20 kΩ)
	TB3-1	Analog input common	-		-
	TB5-7				
PE	Shield wire, optional ground line connection point	-		-	
Digital output signals	TB1-10	Motor Run	CLOSED During Motor Operation	Dry contacts Contact capacity: 5 A max. at 250 VAC 5 A max. at 120 VAC	
	TB1-11				
	TB1-12	Programmable Relay 1	Form C Relay Function Selections: 1. Bypass Run 2. Damper Actuator 3. Auto Transfer 4. Drive Run 5. Serial Com. Run 6. Hand Mode 7. Auto Mode 8. System Fault See Table 2.6 for DIP Switch programming		
	TB1-13				
	TB1-14				
	TB2-1	Programmable Relay 2			
	TB2-2				
	TB2-3				
	TB2-4	Programmable Relay 3			
	TB2-5				
TB2-6					

Table 2.15 Bypass Control Circuit Terminals (Continued)

Type	No.	Signal Name	Function		Signal Level
Analog output signals	TB3-4	Multi-function analog output (Drive terminal FM)	Frequency Output 0 to +10 VDC/100% frequency	Multi-function analog monitor 1 Function set by H4-01	0 to +10 VDC or 4-20 mA set by Jumper J2 and H4-07
	TB3-1 TB5-7	Analog output common	-		
	TB5-6	Multi-function analog output (Drive terminal AM)	Current Monitor 0 to +10 VAC/100% Drive's rated current	Multi-function analog monitor 2 Function set by H4-04	0 to +10 VDC or 4-20 mA set by Jumper J3 and H4-08
RS-485/422	TB4-1	Communication input	For 2-wire RS-485, short TB4-3 to TB4-1 and TB4-4 to TB4-2.		Differential input, optical isolation
	TB4-2				
	TB4-3	Communication output			Differential input, optical isolation
	TB4-4				
	PE	Signal common	-		-

Wiring Diagram



Electrical Overview

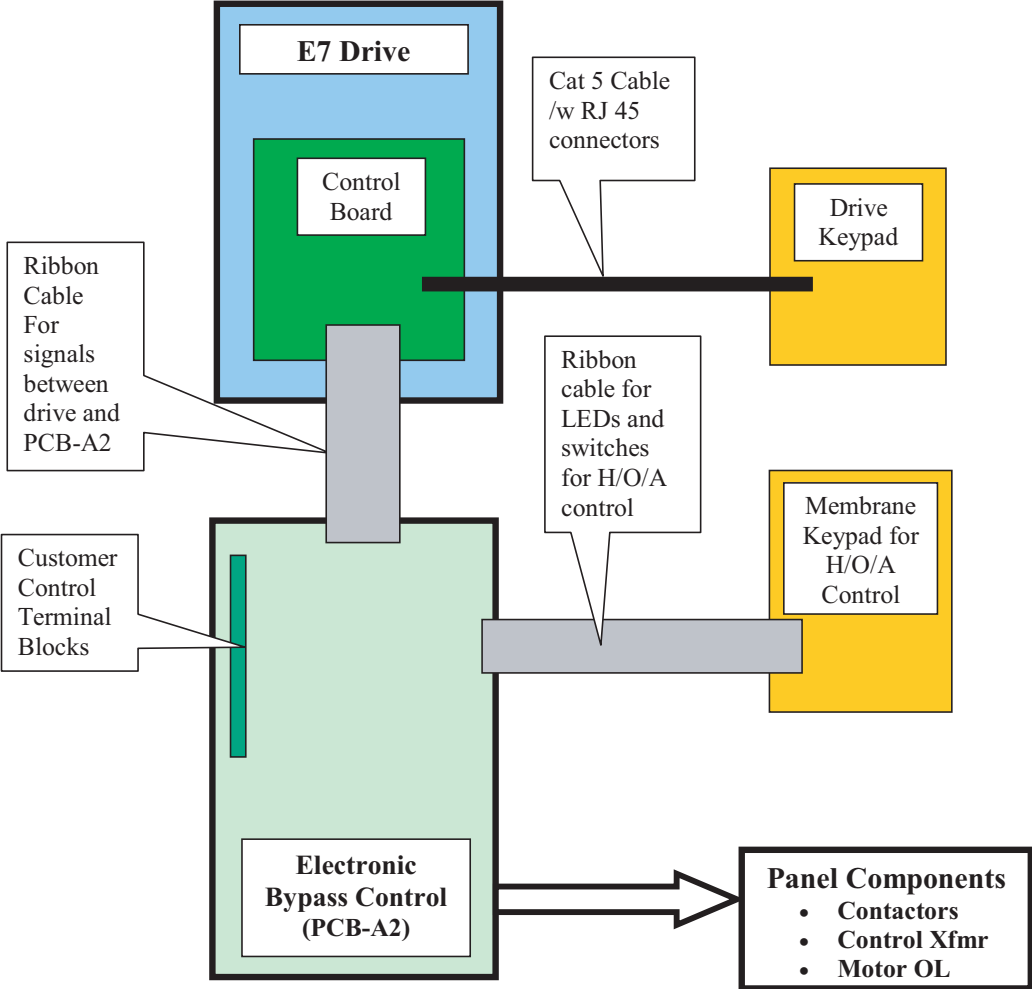


Fig 2.11 E7N Electronic Control Interconnection of Components

Notes:

Chapter 3

Control Panel

This chapter describes the displays and functions of the Control Panel.

Digital Operator and Control Panel Display	2
Digital Operator and H/O/A Control Panel Keys	3
Drive Digital Operator/Keypad	4
Control Panel Indicator Lights (LEDs)	6
Selector Key Indicators.....	9
Normal Control Panel Indicators.....	9
Abnormal Control Panel Indicators.....	9
Fault Control Panel Indicators	10
Drive Main Menus	11
Main Menu Structure	12
- DRIVE - Operation Menu	13
- QUICK - Quick Setting Menu	16
- ADV- Programming Menu	18
- VERIFY - Modified Constants (Parameters) Menu	20
- A.TUNE - Auto-Tuning Menu	21
Example of Changing a Parameter	22

Digital Operator and Control Panel Display

The various items included on the Digital Operator Display and Control Panel are described below.

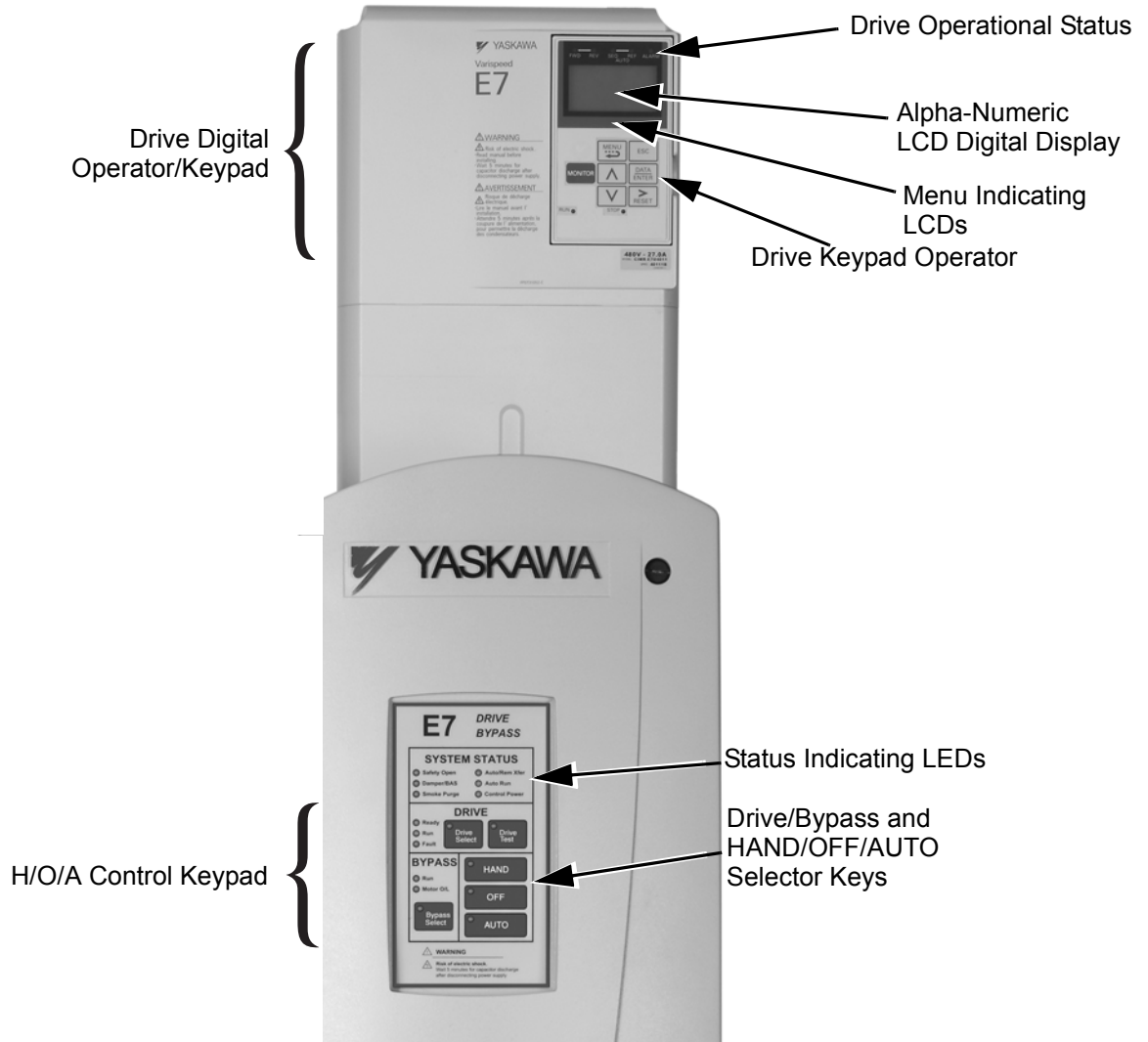


Fig 3.1 E7 Bypass Control Panel Component Names and Functions






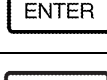
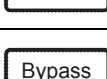


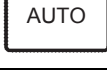
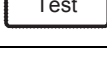

The front control panel has a digital alpha/numeric display and keypad, in the upper portion, for Drive operation and programming. The row of LEDs above the alpha/numeric display indicate Drive operational status. See Table 3.2 for an explanation. The row of LEDs below the alpha/numeric display indicate the Drive menu that is presently active.

The lower portion of the front control panel displays the operating mode status via LEDs and controls the HAND/OFF/AUTO functions for both the Drive and Bypass. The general rule for LED colors, in the lower portion of the control panel, is:

- Green = Normal Status
- Amber = Abnormal Status
- Red = Fault Status

◆ Digital Operator and H/O/A Control Panel Keys

The names and functions of the Digital Operator and H/O/A Control Panel Keys are described in Table 3.1.

Table 3.1 Digital Operator and H/O/A Control Panel Keys		
Key	Name	Function
	MENU Key	Scrolls from one of the five main menus to the next.
	ESCAPE Key	Returns to the display before the DATA/ENTER key was pressed.
	INCREASE Key	Increases parameter numbers and set values. Used to move to the next item or data.
	DECREASE Key	Decreases parameter numbers and set values. Used to move to the previous item or data.
	SHIFT/RESET Key	Selects the digit to be changed. The selected digit will blink. Also resets the Drive when a fault has occurred.
	DATA/ENTER Key	Pressed to enter menus and parameters as well as to set values.
	Drive Select Key	Selects the Drive mode of operation.
	Bypass Select Key	Selects the Bypass mode of operation.
	HAND Key	Operates the Drive or Bypass via the local control panel. A Run command is automatic.
	OFF Key	Removes the Run command.
	AUTO Key	Enables the Drive or Bypass to be operated by a remote device such as a DDC or BAS.
	Drive Test Key	Provides local control of the Drive while the motor is operating in Bypass mode.

◆ Drive Digital Operator/Keypad

■ Drive Operational Status Indicators

The definition of the Drive operational status indicators are shown in Table 3.2.

Indicator	Definition
FWD	Lit (red) when a forward run command is input. Also lit when the Drive is in “Hand” Mode.
REV	Lit (red) when a reverse run command is input.
REMOTE SEQ	Lit (red) when set up for remote run command, see Table 3.3.
REMOTE REF	Lit (red) when set up for remote speed command, see Table 3.3.
ALARM	Lit (red) when a fault has occurred and flashing when an alarm has occurred.

■ Drive REMOTE Sequence (SEQ) and REMOTE Reference (REF) indicators

The Bypass operates differently than a stand alone Drive with regard to these two indicators. The Bypass control logic interfaces with the Drive via terminals that would be used, in a Drive only installation, for the REMOTE Sequence (Run Command), and REMOTE Reference (Speed Command).

Since these terminals are active and the appropriate parameters configured for the Bypass unit operation (see Tables 5.1 and 5.2), the REMOTE Sequence and REMOTE Reference LED’s will be lit even when the H/O/A HAND button is pressed (local control), providing both the run and speed command from the local control panel. The control signals are “Local” to the Drive and Bypass unit, but “Remote” from the Drive itself.

An exception to this rule occurs for the REMOTE REF indicator when serial communication is employed. See Table 3.3.

Indicator		HAND	AUTO
Analog Input	REMOTE SEQ	ON	ON
	REMOTE REF	ON	ON
Serial COM Input	REMOTE SEQ	OFF	ON
	REMOTE REF	OFF	ON

■ Drive Run Indicator

The status of the “RUN” indicator is shown in Table 3.4 when the Drive is either in the “Hand” or “Auto” mode.

Table 3.4 RUN Indicator	
Indicator Status	Description
On (Red)	Drive is running
Blinking (Red)	Drive is decelerating to a stop
Off	Drive is stopped

■ Drive Stop Indicator

The status of the “STOP” indicator is shown in Table 3.5 when the Drive is either in the “Hand” or “Auto” mode.

Table 3.5 STOP Indicator	
Indicator Status	Description
On (Red)	Drive is decelerating to a stop or stopped
Blinking (Red)	Drive is in a run condition but the speed command is zero
Off	Drive is running

The relationship between the indicators for RUN and STOP and the Drive status is shown in Fig. 3.2.

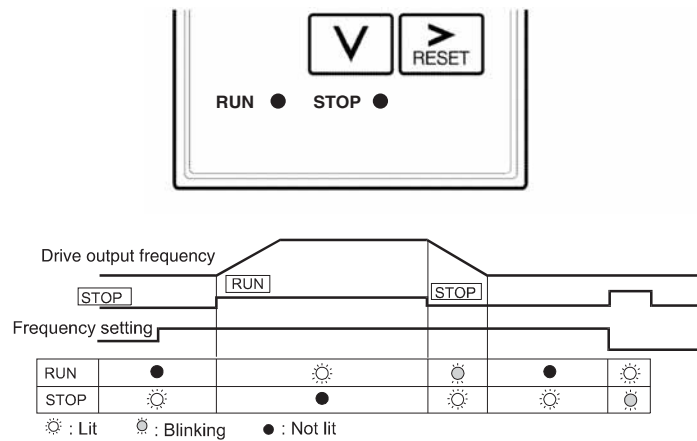


Fig 3.2 RUN and STOP Indicators

◆ Control Panel Indicator Lights (LEDs)

■ Control Power Status Indicator

Table 3.6 Control Power Indicator	
Indicator Status	Condition
On (Green)	3 Phase Power is applied to the Bypass unit and the control power transformer is functioning.
Off	3 Phase Power is disconnected from the Bypass unit or a control power transformer fuse has cleared.

■ Drive Run Indicator

Table 3.7 Drive Run Indicator	
Indicator Status	Condition
On (Green)	The Drive has been given a run command in HAND or AUTO mode and the Bypass circuit is de-energized.
Off	The Drive has no run command in either the HAND or AUTO modes. The unit may be operating in Bypass mode.

■ Bypass Run Indicator

Table 3.8 Bypass Run Indicator	
Indicator Status	Description
On (Amber)	<p>The Bypass has been given a run command in the HAND or AUTO mode.</p> <p>Or, the operation has been remotely transferred to Bypass using the “Remote Transfer to Bypass” feature via a BAS contact closure at terminals TB1-4 and TB1-9.</p> <p>Or, the operation has been automatically transferred to Bypass after a Drive fault condition via the DIP switch selectable “Auto Transfer to Bypass” feature (S2-1).</p> <p>Or, the operation has been transferred to Bypass using the “Smoke Purge” feature via a contact closure at terminals TB1-5 and TB1-9.</p> <p>The motor is running at full speed across-the-line and the Drive is disconnected from the motor.</p>
Off	The Bypass has no run command in either the HAND or AUTO modes. The unit may be operating in Drive mode.

■ **Bypass Motor OL Indicator**

Table 3.9 Motor OL Indicator	
Indicator Status	Description
On (Red)	The motor overload (S10 on schematic E7N-00) has tripped OFF de-energizing both the Drive and Bypass Circuits.
Off	The motor overload (S10) is satisfied.

■ **Safeties Open Status Indicator**

Table 3.10 Safeties Open Indicator	
Indicator Status	Description
On (Red)	The NC “motor safety circuit” connected to terminals TB1-1 and TB1-9 has an open circuit condition.
Off	The NC “motor safety circuit” is satisfied or this function is disabled by DIP switch S2-7.

■ **Drive Fault Indicator**

Table 3.11 Drive Fault Indicator	
Indicator Status	Description
On (Red)	The Drive has tripped OFF due to an internal Drive fault.
Off	The Drive is ready for operation, or operating normally.

■ **Smoke Purge Status Indicator**

Table 3.12 Smoke Purge Indicator	
Indicator Status	Description
On (Amber)	The Smoke Purge function has been activated, the building fire control system has closed a contact between terminals TB1-5 and TB1-9.
Off	Smoke Purge is not active, the Drive & Bypass are operating normally.

■ **Auto Run Status Indicator**

Table 3.13 Auto Run Indicator	
Indicator Status	Description
On (Green)	The E7N is in AUTO mode and has received a Run command at TB1-2.
Off	The E7N is not in AUTO mode or has not received a Run command when in AUTO mode.

■ **Drive Ready Indicator**

Table 3.14 Drive Ready Indicator	
Indicator Status	Description
On (Green)	The Drive is ready to run or is running (no faults).
Off	The Drive has a fault that will prevent operation.

■ **Auto/Rem Xfer Status Indicator**

Table 3.15 Auto/Rem Xfer Status Indicator	
Indicator Status	Description
On (Amber)	Auto Transfer to Bypass operation or Remote Transfer to Bypass operation is active.
Off	Auto or Remote Transfer to Bypass are not active (Auto Transfer may be disabled by DIP switch S2-1).

■ **Damper/BAS Status Indicator**

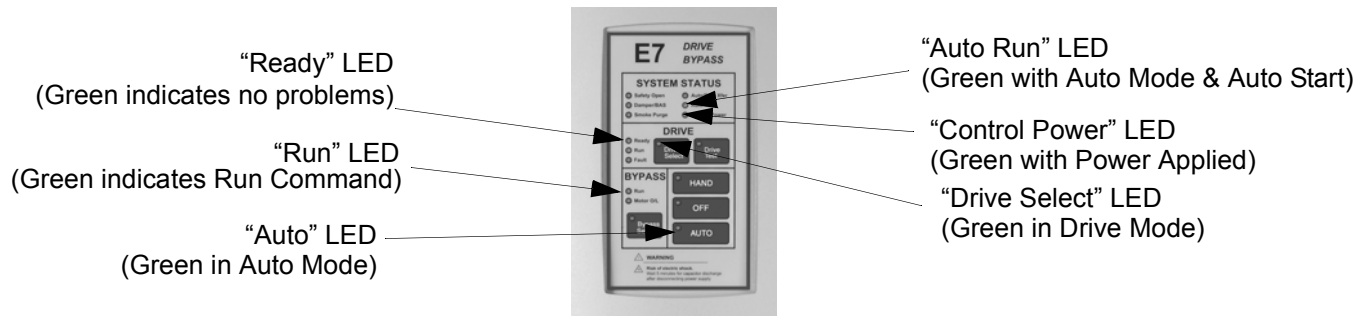
Table 3.16 Damper/BAS Status Indicator	
Indicator Status	Description
On (Red)	A NC damper end switch or other BAS interlock contact at TB1-3 is open.
Off	This function is disabled by DIP switch S2-8 or a contact closure exists between terminals TB1-3 and TB1-9.

◆ Selector Key Indicators

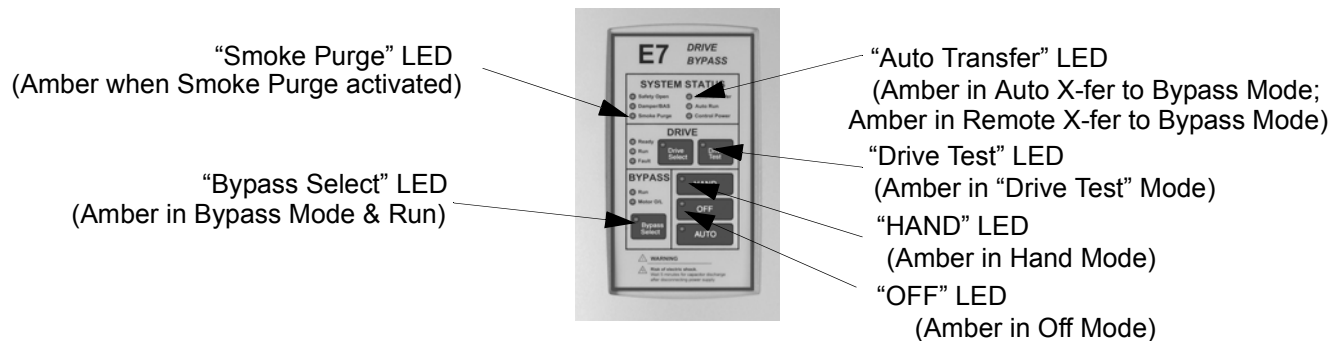
When off these selector key indicators simply mean that the function has not been selected. The table below describes the operation when these functions are selected and the key indicator is lit.

Selector Key	LED Color	Function When Lit
Drive Select	Green	The Drive mode of operation is selected.
Bypass Select	Amber	The Bypass mode of operation is selected.
HAND	Amber	The Drive or Bypass is operated via the local control panel. A Run command is automatic.
OFF	Amber	The Run command has been removed from the Drive or Bypass.
AUTO	Green	The Drive or Bypass is operated via a remote device (DDC or BAS).
Drive Test	Amber	The Drive is operated via the local control panel while the motor is operating in Bypass mode.

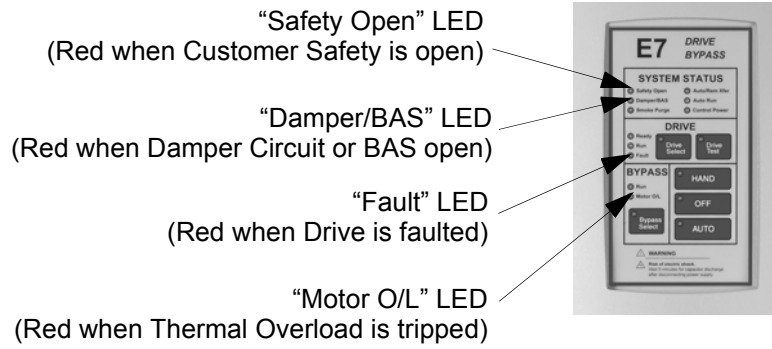
◆ Normal Control Panel Indicators



◆ Abnormal Control Panel Indicators



◆ Fault Control Panel Indicators



Drive Main Menus

The Drive’s parameters and monitoring functions are organized into groups called menus that make it easier to read and set parameters. The Drive is equipped with five menus. The five menus and their primary functions are shown in Table 3.18 and are directly available by pressing the **MENU** key.

Main Menu	Primary Function(s)
- DRIVE - Operation	The Drive can be run in this menu. Also called the “Monitor” menu. Use this menu for monitoring values such as frequency reference or output current, displaying fault history or displaying the fault traces.
- QUICK - Quick Setting	The Drive can be programmed in this menu. Use this menu to set/read the most commonly used parameters.
- ADV - Programming	The Drive can be programmed in this menu. Use this menu to set/read every parameter.
- VERIFY - Modified Constants (Parameters)	The Drive can be programmed in this menu. Use this menu to set/read the parameters that have been modified from their factory default settings.
- A.TUNE - Auto-Tuning	For Bypass units Auto-Tuning can only be accomplished through the DriveWizard software (Part Number DWST616-C2). A free download from www.drives.com . The Drive can be programmed in this menu. Auto-tune the Drive in order to utilize the bi-directional speed search feature.

◆ Main Menu Structure

The menu selection display will appear when the MENU key is pressed from a monitor or setting display. Press the MENU key from the menu selection display to switch between the menus.

Press the DATA/ENTER key from the menu selection key to monitor data and from a monitor display to access the setting display.

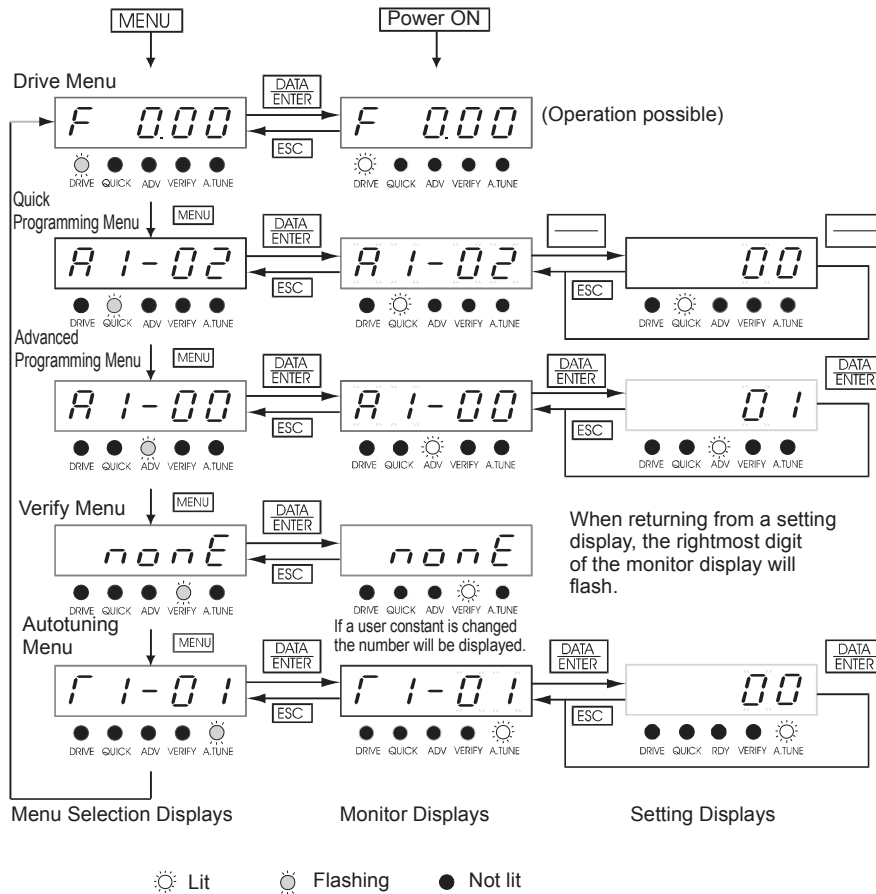


Fig 3.3 Menu Transitions

WARNING

When running the Drive after using the Digital Operator, press the MENU Key to enter the Drive menu (DRIVE indicator will flash) and then press the DATA/ENTER Key from the drive menu display to bring up the monitor display (DRIVE indicator will light). (Monitor display in the drive menu will appear when the power is turned ON.)

◆ - DRIVE - Operation Menu

This menu is used for setting a speed command or monitoring values such as output frequency and output current. It is also used for displaying the fault history and the fault traces. *The Drive may be limited to this menu in order to accept a run command, see parameter b1-08 in Chapter 5 and Table 5.1.*

■ Example Operations

Key operations in drive menu are shown in the following figure.

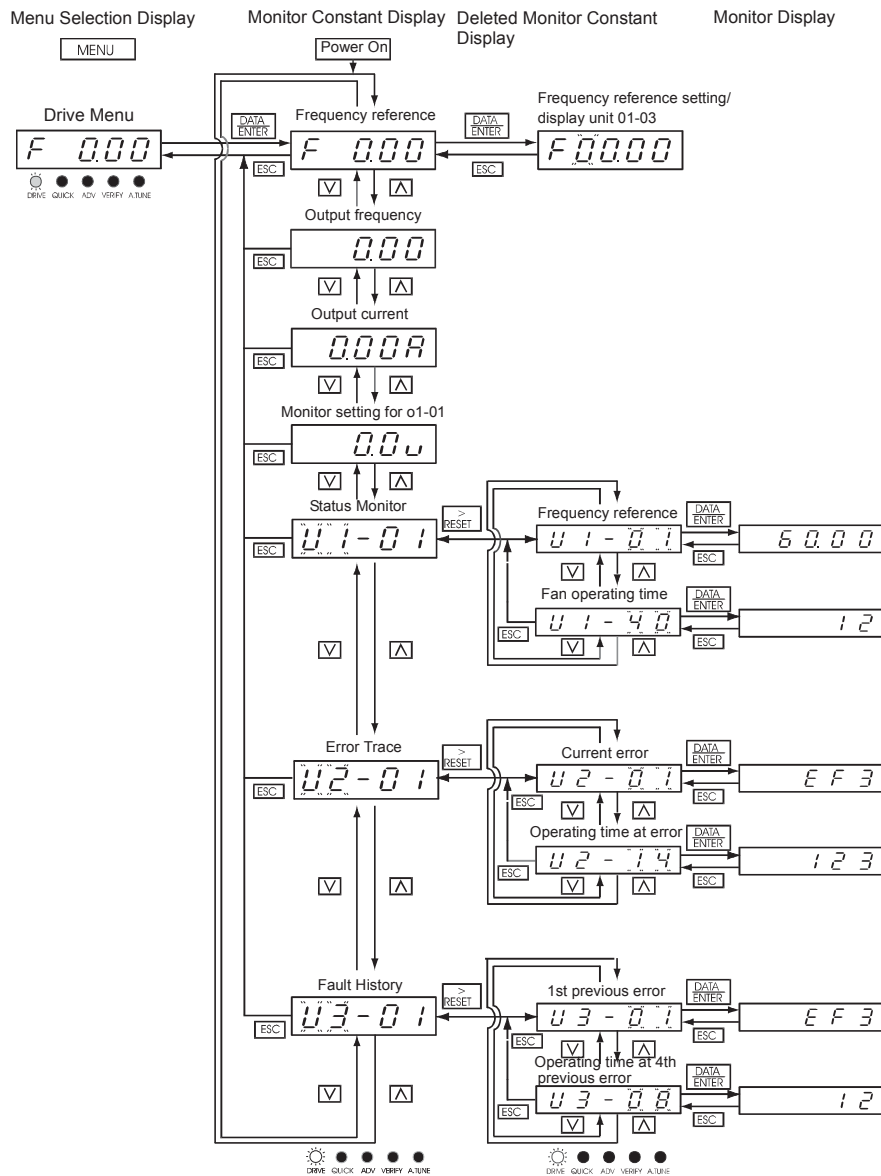




Fig 3.4 Operations in Drive Menu



■ U1 Monitor Parameter List

Use  and  keys to scroll through the U1 “Monitor” parameter list.

Monitor Parameters	
U1-01	Frequency Ref
U1-02	Output Freq
U1-03	Output Current
U1-06	Output Voltage
U1-07	DC Bus Voltage
U1-08	Output kWatts
U1-10	Input Term Sts
U1-11	Output Term Sts
U1-12	Int Ctl Sts 1
U1-13	Elapsed Time
U1-14	FLASH ID
U1-15	Term A1 Level
U1-16	Term A2 Level
U1-18	Mot SEC Current
U1-20	SFS Output
U1-24	PI Feedback
U1-28	CPU ID
U1-29	kWh
U1-30	MWh
U1-34	OPE Detected
U1-36	PI Input
U1-37	PI Output
U1-38	PI Setpoint
U1-39	Transmit Err
U1-40	FAN Elapsed Time
U1-51	Auto Mode Fref
U1-52	Hand Mode Fref
U1-53	PI Feedback 2

■ U2 Fault Trace Parameter List



After viewing the “Monitor” parameter list, one may view the “Fault Trace” parameter list.

Use  and  keys to scroll through the U2 “Fault Trace” parameter list.

Fault Trace Parameters	
U2-01	Current Fault
U2-02	Last Fault
U2-03	Frequency Ref
U2-04	Output Freq
U2-05	Output Current
U2-07	Output Voltage
U2-08	DC Bus Voltage
U2-09	Output kWatts
U2-11	Input Term Sts
U2-12	Output Term Sts
U2-13	AC Drive Status
U2-14	Elapsed Time

■ U3 Fault History Parameter List

After viewing the “Fault Trace” parameter list, one may view the “Fault History” parameter list.

Use  and  keys to scroll through the U3 “Fault History” parameter list.

Fault History Parameters	
U3-01	Last Fault
U3-02	Fault Message 2
U3-03	Fault Message 3
U3-04	Fault Message 4
U3-05	Elapsed Time 1
U3-06	Elapsed Time 2
U3-07	Elapsed Time 3
U3-08	Elapsed Time 4
U3-09	Fault Message 5
U3-10	Fault Message 6
U3-11	Fault Message 7
U3-12	Fault Message 8
U3-13	Fault Message 9
U3-14	Fault Message 10
U3-15	Elapsed Time 5
U3-16	Elapsed Time 6
U3-17	Elapsed Time 7
U3-18	Elapsed Time 8
U3-19	Elapsed Time 9
U3-20	Elapsed Time 10

◆ - QUICK - Quick Setting Menu

This menu is used to set/read a limited set of parameters in the Drive. Follow the key operations below to access the Quick Setting Menu.

■ Example Operations

Key operations in quick programming menu are shown in the following figure.

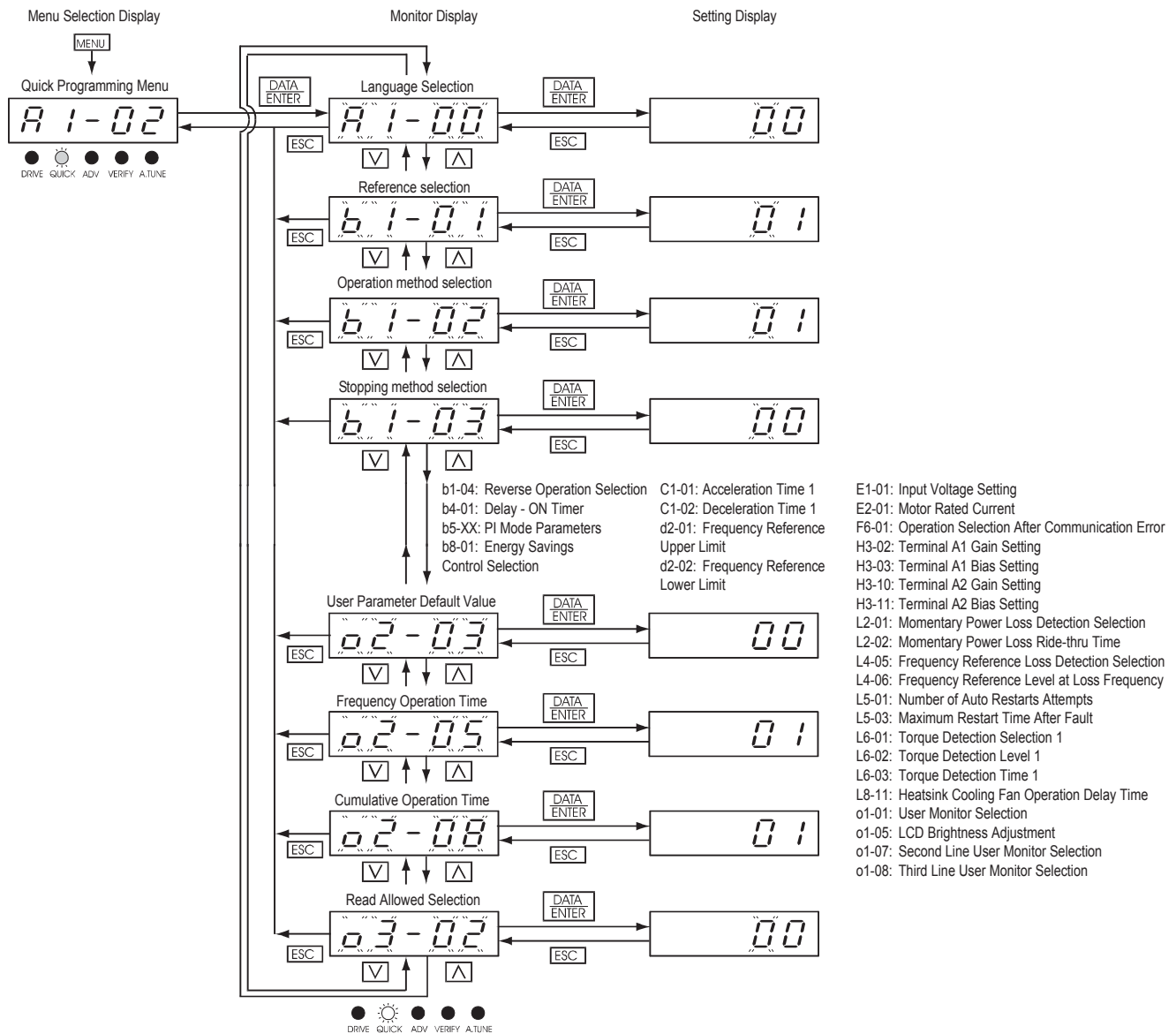




Fig 3.5 Operations in Quick Programming Menu

Use  and  keys to scroll through the “Quick Setting” parameter list.

Parameter Number	Parameter Name
b1-01	Frequency Reference Selection
b1-02	Run command Selection
b1-03	Stopping Method Selection
b5-01	PI Mode Selection
b5-02*	Proportional Gain Setting
b5-03*	Integral Time Setting
b5-31*	PI Unit Selection
C1-01	Acceleration Time 1
C1-02	Deceleration Time 1
d2-01	Frequency Reference Upper Limit
d2-02	Frequency Reference Lower Limit
E1-01	Input Voltage Setting
E2-01	Motor Rated Current
H3-08*	Terminal A2 Signal Level Selection
H3-09*	Auxiliary Terminal Function Selection
H3-13*	Master/Frequency Reference Terminal Selection

* This parameter’s menu location is Quick Setting when b5-01=1, and Programming when b5-01=0.

◆ - ADV- Programming Menu

This menu is used to set/read every parameter in the Drive. Follow the key operations below to access the Programming Menu.

■ Example Operations

Key operations in advanced programming menu are shown in the following figure.

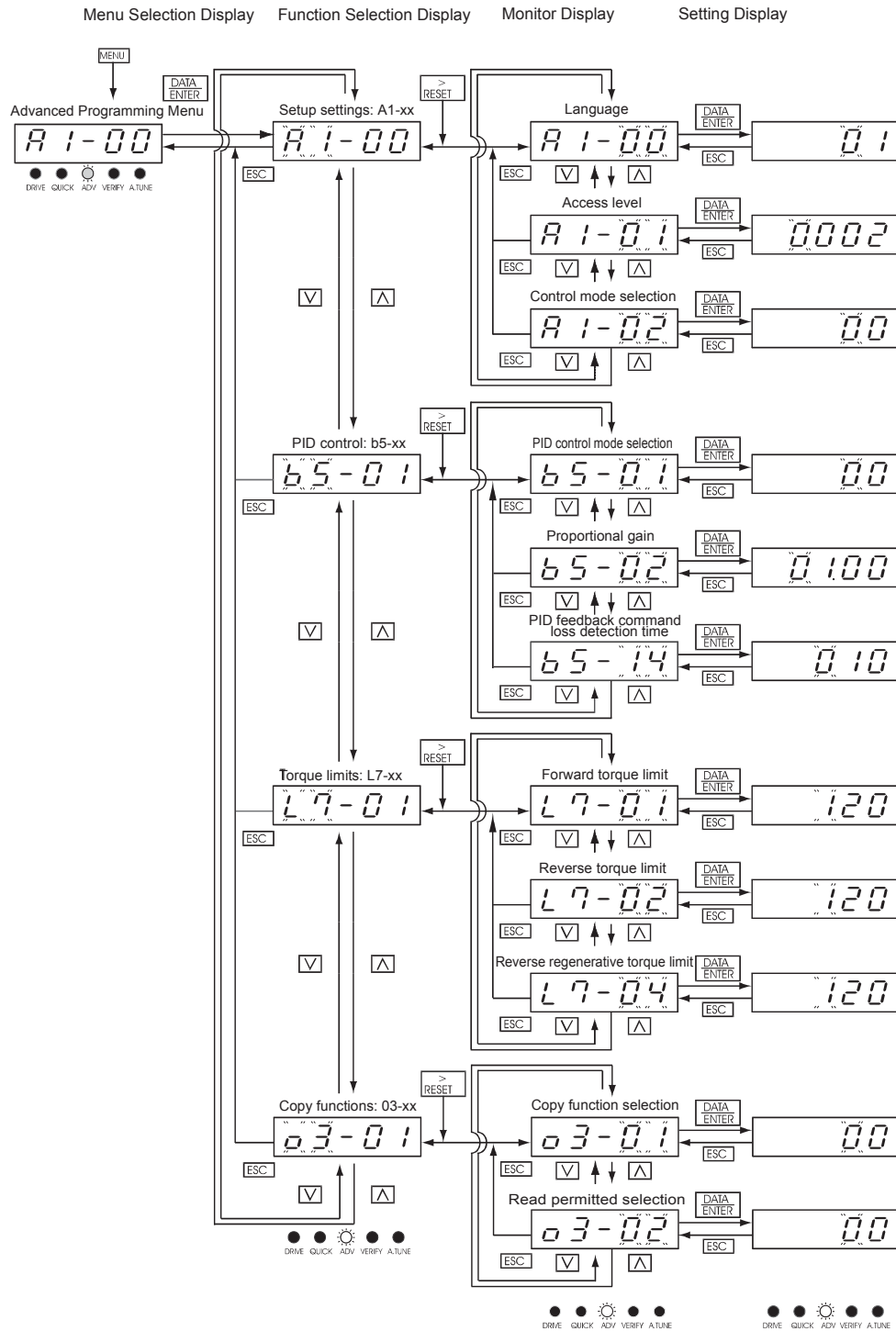





Fig 3.6 Operations in Advanced Programming Menu

Use , , and  keys to scroll through the “Programming” parameter group list. For a complete parameter list see Appendix A.

Parameter Group Functions	
A1	Initialization
A2	User Parameters
b1	Sequence
b2	DC Braking
b3	Speed Search
b4	Delay Timers
b5	PI Control
b8	Energy Saving
C1	Accel/Decel
C2	S-Curve Acc/Dec
C4	Torque Comp
C6	Carrier Freq
d1	Preset Reference
d2	Reference Limits
d3	Jump Frequencies
d4	Sequence
d6	Field-Weakening
E1	V/F Pattern
E2	Motor Setup
F6	Com OPT Setup
H1	Digital Inputs
H2	Digital Outputs
H3	Analog Inputs
H4	Analog Outputs
H5	Serial Com Setup
L1	Motor Overload
L2	PwrLoss Ridethru
L3	Stall Prevention
L4	Ref Detection
L5	Fault Restart
L6	Torque Detection
L8	Hdwe Protection
n1	Hunting Prev
n3	High Slip
o1	Monitor Select
o2	Key Selections
o3	COPY Function

◆ - VERIFY - Modified Constants (Parameters) Menu

Verify menu is used to display any parameters that have been changed from their default settings in a programming menu or by autotuning. “None” will be displayed if no settings have been changed.

For the initialization parameters, only A1-00 will be displayed if it has been changed. Other initialize mode settings will not be displayed even if they have been changed from their default settings.

In the verify menu, the same procedures can be used to change settings as they are used in the programming menus. Use the INCREASE, DECREASE, and Shift/RESET keys to change the parameters. When the DATA/ENTER key is pressed after changing the setting, the user parameter will be written into memory and the display will return to parameter monitor automatically.

■ Example Operations

An example of key operations is given below for when the following settings have been changed from their default settings: b1-01 (Reference Selection), C1-01 (Acceleration Time 1), E1-01 (Input Voltage Setting), and E2-01 (Motor Rated Current).

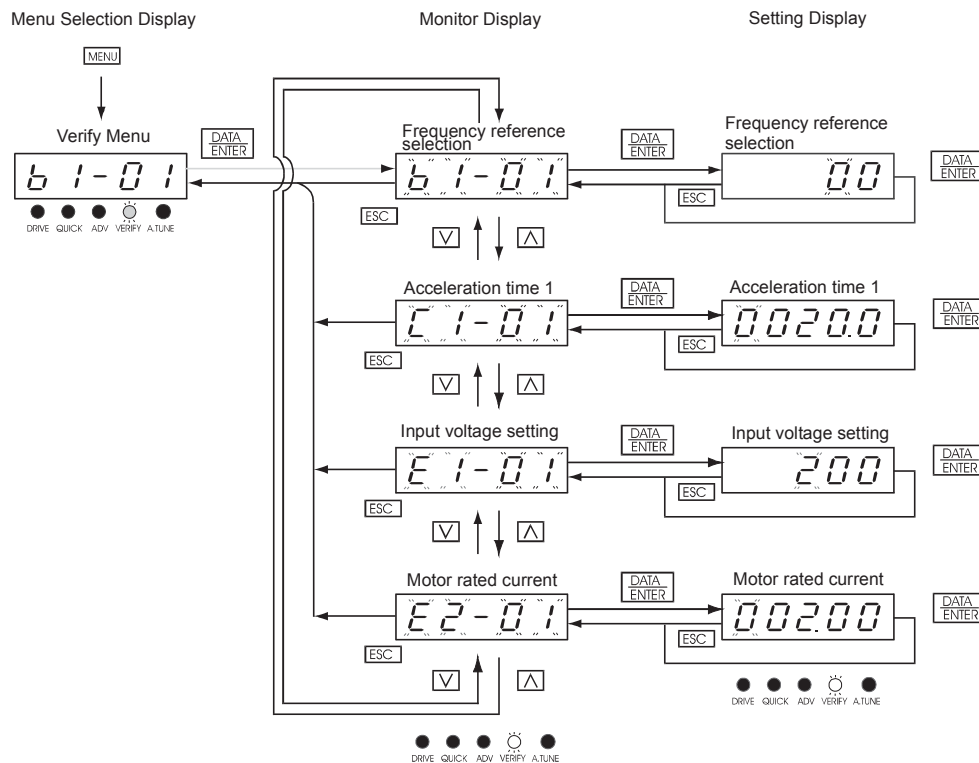


Fig 3.7 Operations in Verify Menu

◆ - A.TUNE - Auto-Tuning Menu

For E7 Bypass units Auto-Tuning can only be accomplished through the DriveWizard software (Part Number DWST616-C2). A free download from www.drives.com.

This menu is used in non-bypass Drives to auto-tune the Drive in order to utilize the bi-directional speed search feature. Follow the key operations below to access the Auto-Tuning Menu.

■ For Reference Purposes

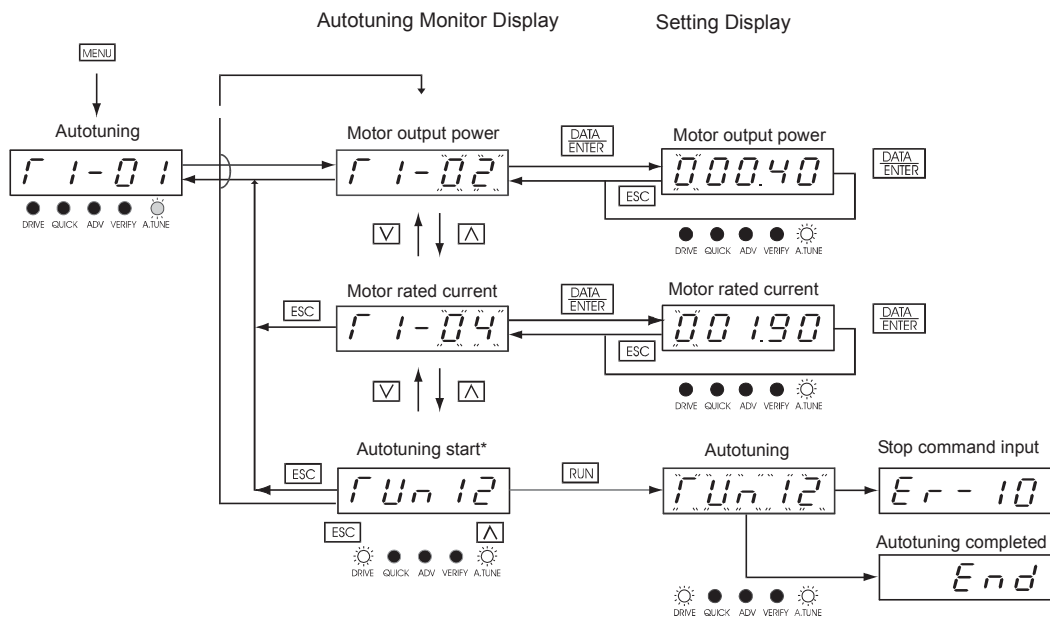



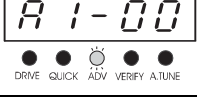









Fig 3.8 Operation in Autotuning Menu

Example of Changing a Parameter

Table 3.19 provides an example of how to change parameter “C1-01” (Acceleration Time 1) from 30 sec to 20 sec.

Table 3.19 Changing a Parameter in the Programming Menu		
Step Number	Digital Operator Display	Description
1		Power supply turned ON.
2		MENU Key pressed to enter drive menu.
3		MENU Key pressed to enter quick programming menu.
4		MENU Key pressed to enter advanced programming menu.
5		DATA/ENTER pressed to access monitor display.
6		INCREASE or DECREASE Key pressed to display C1-01 (Acceleration Time 1).
7		DATA/ENTER Key pressed to access setting display. The setting of C1-01 (30.00) is displayed.
8		Shift/RESET Key pressed to move the flashing digit to the right.
9		DECREASE Key pressed to change set value to 20.00 s.
10		DATA/ENTER Key pressed to enter the set data. “END” is displayed for 10 s and then the entered value is displayed for 0.5 s.
11		The monitor display for C1-01 returns.

Chapter 4

Start Up and Operation

This chapter describes the procedures to prepare for and conduct the E7N Drive and Bypass unit start up.

Start Up Introduction	2
The Safety Interlock Circuit at Power Up	2
The BAS Interlock Circuit at Power Up	3
Bypass Unit Start Up Preparation	4
Bypass Unit Start Up Procedure	5
Bypass Unit Operation Description	10
Selector Key Functions	12
DIP Switch Selectable Functions	12
Contact Closure Inputs	14

Start Up Introduction

In order to provide you with the most reliable Drive and Bypass unit available, and to avoid any extra costs related to loss or reduction of warranty coverage, an authorized Yaskawa service representative should complete this start up procedure. Please complete the checklist in this document and maintain it in a secured location. Should you have a need to contact Yaskawa in the future, technical service personnel may request information from this document.



Procedures within this document assume that start up is being accomplished by a Yaskawa authorized service person who has training on the product and is capable of working through the detailed steps with power applied to the Bypass unit while the enclosure door is open.

Start-Up Date: _____	Start-Up Location: _____
Start-Up Person: _____	Company Name: _____
Phone Number: _____	Signature: _____
Sales Order Number: _____	E7N Unit Tag Number: _____
Drive Model Number: _____	Drive Serial Number: _____

In this Start-Up chapter, when referring to the keypad display, the complete description of the parameter setting choices are presented for clarity purposes. For example, one of the setting choices for parameter **b1-02** is "1: terminals." Keep in mind that on the standard LED keypad display, only the number of the choice will be shown. The optional LCD keypad display is required to see the complete description.

IMPORTANT INFORMATION

◆ The Safety Interlock Circuit at Power Up

On power up the E7N will display a red "Safety Open" LED in the "System Status" area of the front control panel if a normally closed "Safety Circuit" has not been installed between TB1-1 and TB1-9 on PCB A2. This condition will prevent Drive or Bypass operation.

One of the following three items needs to be done prior to start-up:

- 1) Install an NC "Safety Circuit" between TB1-1 and TB1-9 on PCB A2.
- 2) Install a jumper between TB1-1 and TB1-9 on PCB A2. This method should be used if a "Safety Circuit" will be added later in the installation.
- 3) De-activate these terminals by moving DIP switch S2-7 to the ON position (toward the enclosure door). This solution is only suggested if a "Safety Circuit" will never be applied to the drive system.

◆ The BAS Interlock Circuit at Power Up

When a Run command is received in HAND or AUTO mode, the E7N will display a red “Damper/Bas” LED in the “System Status” area of the front control panel. This condition will prevent Drive or Bypass operation.

One of the following three items needs to be done prior to start-up:

- 1) Install a “BAS Interlock Circuit” between TB1-3 and TB1-9 on PCB A2.
- 2) Install a jumper between TB1-3 and TB1-9 on PCB A2. This method should be used if a “BAS Interlock Circuit” will be added later in the installation.
- 3) De-activate these terminals by moving DIP switch S2-8 to the ON position (toward the enclosure door). This solution is only suggested if a “Safety Circuit” will never be applied to the drive system.

BYPASS UNIT START UP PREPARATION

Note: These instructions assume that all jumpers and DIP switches are in the factory default position as defined by schematic diagram DS.E7N.01.

- 1. Review this Bypass Technical Manual and any option instructions and schematics shipped with the Drive and Bypass unit.
- 2. Verify that the model numbers and voltage ratings are as specified in the purchase order by matching the nameplate data for each unit to the purchase order.
- 3. Verify that the unit has been installed in accordance with Chapter 1, *Receiving and Mechanical Installation* and Chapter 2, *Electrical Installation*.
- 4. Inspect the security of the supply line power, ground connections and all control circuit connections as identified in Chapter 2, *Electrical Installation*.

Double check all the power wires and motor wires.

Verify that the electrical supply power lines (L1, L2, L3) are connected to the input disconnect switch (S1 on the wiring diagram in Chapter 2) and that the motor leads (T1, T2, T3) are connected to the output terminals of the overload relay (S10 on the wiring diagram in Chapter 2). Ensure that all connections are tight, loose wire connections may cause intermittent problems or overheating. Factory connections sometimes come loose during shipment.

- 5. Review the installer's "as wired" schematic. Determine if a driven motor "safety circuit" is connected. This is a series circuit of NC contacts from devices such as a smoke/fire sensor, freeze-up thermostat or high static pressure limit switch. Verify that these customer emergency contacts are properly terminated in the Bypass safety shutdown circuit. These contacts should be wired between terminal **TB1-1** and **TB1-9**. No field programming is required.

Verify that all other field installed wires are correctly terminated (included the shields).

- 6. Verify that the motor is wired for the application voltage. Record the motor nameplate information:

Voltage _____ Motor Rated Amps _____

- 7. Verify that the input voltage matches the Bypass unit rating.
- 8. Verify that the motor rated full load amps (FLA) does not exceed the rated output current of the Drive and Bypass controlling it. When multiple motors are simultaneously operated by the Drive, the sum of all motor FLA values must be less than or equal to that of the Drive and Bypass controlling them.
- 9. Record any other connections to the Bypass unit, by terminal number to determine if special programming of any of the following is required. (see Chapter 5 or TM.E7.02 for programming details).
 - Multi-function Digital Inputs
 - Multi-function Digital Outputs
 - Analog Outputs
 - Differential PI control
- 10. Verify that the building automation system logic is ready for the start, stop and speed command functions.

BYPASS UNIT START UP PROCEDURE

(Please review “Bypass Start Up Preparation” on page 4-4)

The front control panel has a digital alpha/numeric display and keypad, in the upper portion, for Drive operation and programming. The row of LEDs above the alpha/numeric display indicate Drive operational status. The **REMOTE SEQ** and **REF** LEDs in this row are always lit in most Bypass unit applications of the E7 Drive (See Chapter 3 for an explanation). The row of LEDs below the alpha/numeric display indicate the Drive menu that is presently active.

The lower portion of the front control panel displays the operating mode status via LEDs and controls the HAND/OFF/AUTO functions for both the Drive and Bypass. The general rule for LED colors, in the lower portion of the control panel, is:

- Green = Normal Status
- Amber = Abnormal Status
- Red = Fault Status

- 1. Before applying power, make sure that the following conditions are met:
 - The VAV terminal unit dampers, in supply fan applications, are open to prevent duct flexing or damage in a full speed, across the line starting situation.
 - The electro-mechanical motor OverLoad Relay (OLR) (S10) is adjusted to equal the Full Load Amps (FLA) value from the motor nameplate.

The OLR is mounted to the contactor assembly or back panel (depending on rating), just above the Bypass contactor. See Figure 4.1. Electrically on the output power side of the Bypass unit, the adjustable thermal OLR provides overload protection for the motor in both the Drive and Bypass operating modes. The OLR is set up in the factory to be a manual reset device, requiring operator attention if an overload trip-out is experienced.

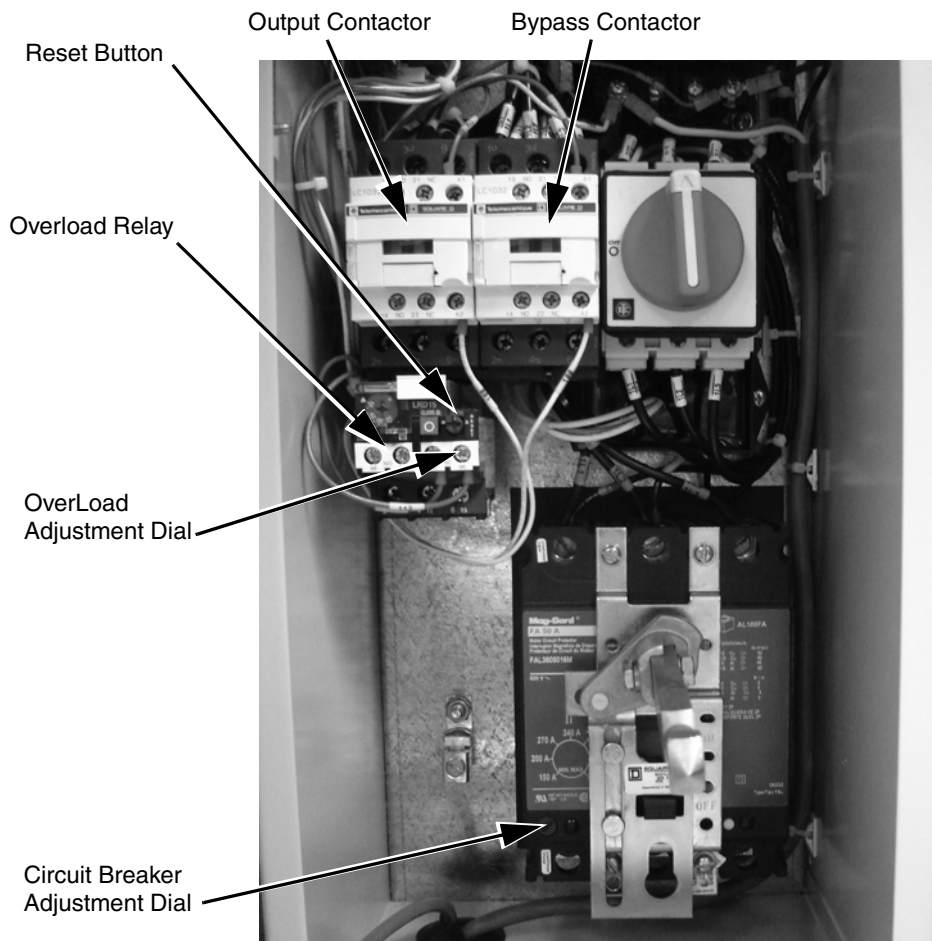


Fig 4.1 Typical Motor Overload and Contactors
Start Up and Operation 4 - 5

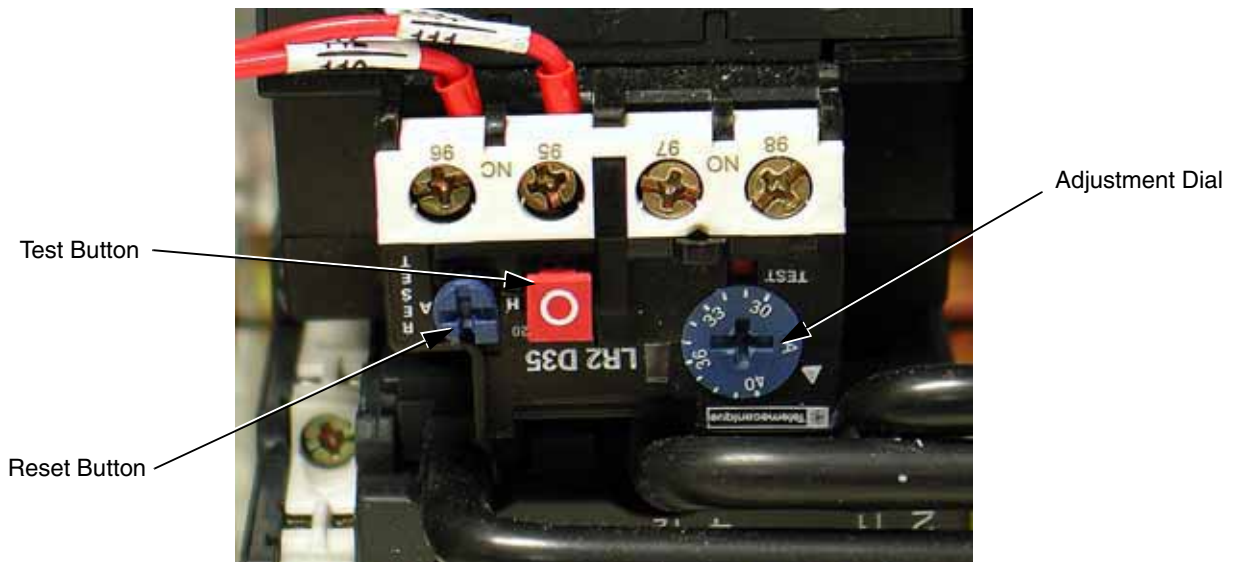


Fig 4.2 Overload Relay Detail

IMPORTANT

To maintain overcurrent, short-circuit, and ground-fault protection, the manufacturer's instructions for setting the motor OLR must be followed.

- 2. Apply power to the Drive and Bypass package. Using a VOM, ensure that all three phases are present and that the input voltage is correct for the system being set up. When power is applied to the E7N unit, the control logic will briefly (<3 seconds) self test all the control panel operating mode LEDs, located on the lower half of the control panel. Then, the **SEQ** and **REF** LEDs (red), **DRIVE** menu LED (red), **STOP** LED (red), **Control Power** LED (green), **Ready** LED (green), **Drive Select** LED (green) and **OFF** LED (amber) will be lit when the Drive and Bypass are ready for operation. The alpha/numeric display will show input frequency (speed command), at power up. [Note: If the **Motor O/L** LED (red) is lit, press the reset button on the motor overload relay.]
- 3. Various menus are directly available by pressing the **MENU** key (see Chapter 3). When in the **DRIVE** menu, the Drive can accept a run command from local (Hand mode) or remote (Auto mode) sources. Press the **MENU** key until the **ADV/PRGM** menu LED (red) is lit. From here, any of the E7 parameters can be accessed and changed using the **▲**, **▼**, and **DATA/ENTER** keys. See Appendix A for a list of programmable features. The **VERIFY** menu can be used to review or modify only those parameters that have been changed from the Drive's default values. Using the **▲**, **▼**, and **DATA/ENTER** keys as needed, verify that the parameters are correct for the Drive and installation conditions. See the *Factory Parameter Settings* printed in Table 1 and Table 6 on page 2 and 3 of the E7N-00 Schematic Diagram or Chapter 5 (Table 5.1 and 5.2) of this manual. Consider any additional parameter settings that may be needed by this specific application.

The *Factory Parameter Settings*, table 1 of DS.E7N.01, documents E7 Drive parameter settings, required to interface with the Bypass logic circuit, that have been established at the factory and stored in a dedicated location in the E7 memory as "User Initialization" values (think of it as a "back-up file"). If additional parameters are set to the specific needs of the application project, and the system operation has been checked and verified, then the "User

Initialization" values should be stored in memory again by entering "1: Set Default" in parameter **o2-03**.

When there is a need for re-initialization (resetting to a known factory starting point for troubleshooting purposes) of the E7N Drive, then a 2-wire initialization should be carried out by entering "2220: 2 Wire Initial" in parameter **A1-03**, followed by entering the "1110: User Initialize" function, also in parameter **A1-03**. This will re-establish the E7 Drive set-up required for the E7N Bypass application and any "user" parameter values that have been stored.

Table 1 is also used to document parameters that have been factory set to typical values for fan and pump applications. These parameters [**b1-07**, **b1-08**, **b8-01**, **L4-05**, **L5-01**, **L5-03**, **o1-02**, **o2-03** and **o3-02**] may be changed to meet the needs of the specific application.

- 4. From the **ADV/PRGM** menu, press **DATA/ENTER**, go to parameter **E1-01** and enter the nominal input voltage that the Drive will receive in this specific application. The overall voltage classification of the Drive cannot be changed by this parameter. However, the input voltage should be adjusted within the range available for the given voltage “class” of the Drive to match the input voltage level normally found on the jobsite. For example, 480 VAC class Drives may be employed on nominal three phase voltage distribution systems of: 380, 400, 415, 440, 460 or 480 VAC. The factory default values may need to be changed to meet the needs of the application distribution voltage.
- 5. From parameter **E1-01**, use the ESC, **▲** and **DATA/ENTER** keys as necessary, to go to parameter **E2-01** and enter the Motor Rated Current. Set this parameter to the motor rated Full Load Amps (FLA) shown on the motor nameplate. This is essential for proper Drive operation and motor overload protection. [**Note:** Do not include the “service factor” amps.]
- 6. Press the **MENU** key to return to the **DRIVE** menu and the same operational status LED configuration described in step 2 above. The alpha/numeric display will now be the speed command frequency.

To start the motor in Drive mode, press the **HAND** key. The **DRIVE Run** LEDs (red and green) and the **HAND** LED (amber) will light and the Drive output will ramp up to “6 HZ.” Verify that motor rotation is correct.

If the direction of motor rotation is wrong, press the **OFF** key and turn the Power *OFF!* Wait for the red **CHARGE** LED (near the Drive power terminals) to go out. When it does, swap the wires for **T1** & **T2** on the output terminals of the motor Overload Relay. Tighten the terminal lugs, reapply the power, press the **HAND** key and re-check the rotation direction.

- 7. With correct motor rotation, press the **MENU** key, if necessary, to return to the **DRIVE** menu. Press **DATA/ENTER** (as needed to get “F” flashing) then using the **▲** and **▼** keys, manually run the Drive throughout its entire speed range, while observing operation. If excessive vibration of the driven load is noted at specific frequencies (speeds), the Jump Frequency function may be used to eliminate this vibration, by programming **d3-01** through **d3-04**. Press the **OFF** key.
- 8. Determine whether the remote speed command is a 0-10 VDC or a 4-20 mA signal. The positive side of the signal should be connected to terminal **TB3-3** of the E7N terminal strip. The “common” of the remote speed command signal should be connected to terminal **TB3-1** of the E7N. See the connection diagram on page 1 of the E7N Bypass unit schematic E7N-00 (or Chapter 5 in this manual). [**Note:** The factory default is 4-20 mA, to change to 0 to 10 VDC adjust parameter **H3-08** to “0: 0-10VDC” and move E7N DIP switch **S1-2**, on the terminal PCB to the OFF position (toward the unit rear).]
- 9. For the Auto mode, request a run command and speed command signal from the building automation system to confirm remote (auto) operation.
- 10. Press the **AUTO** key, the **DRIVE Run** LEDs (red and green), the **AUTO** LED (green) and **AUTO Run** LED (green) will light and the Drive output will ramp up to the Auto mode speed command. Observe if the remote speed command can achieve the minimum and maximum speeds desired. If not, perform the following: - See Chapter 5.

For 0-10 VDC input at Terminal **TB3-3**

1. With no input, adjust the Bias (**H3-11** setting) until an output of “0.0 Hz” is obtained.
2. With full scale input, adjust the Gain (**H3-10** setting) until an output of “60.0 Hz” (or other desired maximum frequency) is obtained.

For 4-20 mA input at Terminal **TB3-3**

1. With 4 mA input, adjust Bias (**H3-11** setting) until an output of “0.0 Hz” is obtained.
2. With 20 mA input, adjust Gain (**H3-10** setting) until an output of “60.0 Hz” (or other desired maximum frequency) is obtained.

- 11. If the circuit breaker option is not present - go to step 12.
In preparation for testing the Bypass, observe the trip setting of the Circuit Breaker. The trip point is factory set at the lowest possible setting and must be adjusted for each application. This breaker will trip due to inrush current and load inertia unless it is reset!
- For fan applications adjust the trip setting to ten times motor FLA.
 - For pump applications adjust the trip setting to six times motor FLA.
- If Circuit Breaker tripping is experienced at these settings during motor starting on Bypass, increase the setting gradually until the motor can be started without Circuit Breaker tripping.
- 12. Press the **OFF** key and press the **BYPASS Select** key. The Drive will ramp the motor to zero speed, then the control will be transferred to Bypass mode. Be prepared to monitor the rotation direction of the motor in Bypass operation. “Bump” the **HAND** key and quickly press the **OFF** key. Check the motor rotation. Do not allow the motor to continue operating in Bypass mode until rotation is correct!
- If the rotation direction in Bypass is correct, skip the rest of this step. If not, carry out the following corrections:
1. Turn OFF the incoming power feed to the E7N unit. Since the correct rotation in Drive mode was previously established, do not change any output wires at the motor.
 2. Instead, verify that power is OFF. Then swap the wires for **L1 & L2** on the input side of the Disconnect Switch or Circuit Breaker. This will effect rotation in Bypass operation only. Once connections are complete and tight, reapply the incoming power and repeat the previous step to re-check the rotation direction in Bypass mode.
- 13. Run the motor in Bypass by pressing the **HAND** key. Record all the phase voltages and currents at this time.
- 14. Press the **OFF** key and press the **DRIVE Select** key. Press the **HAND** key and press the **DATA/ENTER** key, then scroll the Speed Command to “60 HZ” operation. Monitor the voltages and currents in each of the output phases at full speed to make sure that the voltages are balanced and that the currents are within the motor nameplate rating during accel, stable speed, and decel.
- 15. If this application requires the Drive to operate in PI mode, see Chapter 5.

For serial communication, refer to Appendix D in this manual or TM.E7.21 (APOGEE FLN) and TM.E7.22 (Metasys N2).

Notes:

Bypass Unit Operation Description

(For selector key positions, control inputs and DIP switch selectable functions.)

The Bypass has two modes of operation: Bypass and Drive. When in the Bypass mode the connected motor is run directly from the incoming AC line, whereas in Drive mode the motor is run from the Drive output. The **DRIVE Select** and **Bypass Select** keys located on the front panel determine the operating mode. Within each operating mode are two methods of control; **HAND** and **AUTO**. The **HAND/OFF/AUTO** selector keys on the front panel determine this control method.

Table 4.1 provides a look at various combinations of the control panel selector key positions, control inputs to **TB1** through **TB5** and the status of the DIP switch selectable functions.

Table 4.1 E7L 2 Contactor Bypass Inputs and Operating Modes													Control Panel LEDs				
Selector Buttons			Contact Closure Inputs			DIP Switch Selectable Functions						Motor O/L	Operating Mode Result	Status LEDs			
H/O/A Select	Drive or Bypass Select	Test/Normal	Auto Run TB1 2&9	Remote Xfer TB1 4&9	Smoke Purge TB1 5&9	Auto Xfer		Safety		Damper/BAS				Safety Open	Auto/Rem Xfer	Damper/BAS	Auto Run
						DIP S2-1	Drive Fault	DIP S2-7	TB1 1&9	DIP S2-8	TB1 3&9						
1	O	Drive		0	0	D		E	X	E	X	X	None				
2	O	Drive		0	0	D		E	0			X	None	On			
3	O	Drive		0	0	D			X	E	0	X	None				
4	H	Drive		0	0	D			X	E	0	X	None			On	
5	H	Drive		0	0	D			X		X	X	Drive				
6	H	Bypass	N	0	0	D			X		X	X	Bypass				
7	H	Bypass	T	0	0	D			X		X	X	Bypass				
8	H	Bypass	N	0	0	D		E	0	E	0	X	None	On			
9	H	Bypass	N	0	0	D			X	E	0	X	None			On	
10	H	Drive		X	0	D			X		X	X	Bypass		On		
11	H	Drive		0	X	D			X		X	X	Bypass				
12	H	Drive		0	0	E	X		X		X	X	Bypass		Flash		
13	H	Drive		0	0	E	0		X		X	X	Drive				
14	A	Drive		0	0	D			X		X	X	None				
15	A	Drive		X	0	D			X		X	X	Drive			On	
16	A	Drive		X	0	D		E	0			X	None	On		On	
17	A	Drive		X	0	D			X	E	0	X	None		On	On	
18	A	Drive		X	X	D			X		X	X	Bypass		On	On	
19	A	Drive		X	0	X	D		X		X	X	Bypass			On	
20	A	Drive		X	0	0	E	X			X	X	Bypass		Flash	On	
21	A	Bypass	N	X	0	D			X		X	X	Bypass			On	
22	A	Bypass	T	X	0	D			X		X	X	Bypass			On	
23	A	Bypass	N	X	0	D		E	0			X	None	On		On	
24	A	Bypass	N	X	0	D			X		0	X	None			On	
25	A	Bypass	N	X	0	X	D		X		X	X	Bypass			On	
26	O	Drive		0	X	D			X		X	X	Bypass				
27	O	Bypass	N		0	X	D		X		X	X	Bypass				
28	A	Drive		X	0	0	D		X		X	0	None			On	
29	A	Bypass	N	X	0	0	D		X		X	0	None			On	
30	H	Drive		0	0	D			X		X	0	None				
31	O	Drive		0	0	D		D		D		X	None				
32	H	Bypass	N		0	0	D		D		D		X	Bypass			
33	A	Drive		X	0	0	D		D		D		X	Drive		On	

Note: A blank cell indicates the input can be in any of the possible positions (don't care).

Definitions:

- TB = Terminal Block
- SX-X = DIP Switch Number
- X = Closed Input Contacts
- 0 = Open Input Contacts
- D = Disabled

Control Panel LEDs																		
Smoke Purge	Status LEDs					Selector Button LEDs						Drive Keypad LEDs						
	Drive			Bypass		Drive Select	Bypass Select	HAND	OFF	AUTO	Drive Test	FWD	Auto/Remote		ALARM	RUN	STOP	
	Ready	Run	Fault	Run	Motor O/L								SEQ	REF				
	On					On			On				On	On			On	1
	On					On			On				On	On			On	2
	On					On			On				On	On			On	3
	On					On		On					On	On			On	4
	On	On				On		On				On	On	On		On		5
	On			On			On	On					On	On			On	6
	On	On		On			On	On			On	On	On	On		On		7
	On						On	On					On	On			On	8
	On						On	On					On	On			On	9
	On			On		Flash	On	On					On	On			On	10
On	On			On		Flash	On	On					On	On			On	11
			On	On		Flash	On	On					On	On	On		On	12
	On	On				On		On				On	On	On		On		13
	On					On				On			On	On			On	14
	On	On				On				On		On	On	On		On		15
	On					On				Flash			On	On			On	16
	On					On				Flash			On	On			On	17
	On			On		Flash	On			On			On	On			On	18
On	On			On		Flash	On			On			On	On			On	19
			On	On		Flash	On			On			On	On	On		On	20
	On			On			On			On			On	On			On	21
	On	On		On			On			On	On	On	On	On		On		22
	On						On			Flash			On	On			On	23
	On						On			Flash			On	On			On	24
On	On			On			On			On			On	On			On	25
On	On			On		Flash	On		On				On	On			On	26
On	On			On			On		On				On	On			On	27
	On				On	On				Flash			On	On			On	28
	On				On	On				Flash			On	On			On	29
	On				On	On		On					On	On			On	30
	On					On			On				On	On			On	31
	On						On	On					On	On			On	32
	On	On				On				On		On	On	On		On		33

For additional influences on the Drive behavior in Drive operating mode, consult Table 5.1 and Table 5.2. These tables explain the settings of Drive parameters required by the Bypass logic (Table 5.1) and those that are also dependent upon the control options present on the unit (Table 5.2). For Example: In the second line of Table 5.2, for a Bypass equipped with no options and DIP switch S1-2 in the off position, the hand mode speed command is based on the setting of **d1-02** and the auto mode speed command signal is 0-10VDC.

◆ Selector Key Functions

Operating with **HAND** selected - Drive mode:

The Drive can be operated locally from the control panel by first pressing the **DRIVE Select** key. Then pressing the **HAND** key gives the front panel control of the Drive operation. Pressing **HAND** also provides the run command to the Drive. When placed into **HAND** mode the Drive begins running at the **HAND** mode speed command.

Operating with **AUTO** selected - Drive mode:

The Drive can be operated remotely by pressing the **DRIVE Select** key. Then pressing the **AUTO** key gives a remote device (BAS or DDC) control of the Drive. In the **AUTO** mode the Drive will look for a run command contact closure at terminals **TB1-2** and **TB1-9** on PCB A2. Speed command signal level and source is determined by the parameter settings and the options present in the unit, see Tables 5.1 and 5.2. The **AUTO** speed command is wired to terminals **TB3-3** and **TB3-1**. Consult Figures 2.5 and 2.6 in Chapter 2, *Electrical Installation* for correct configuration of the speed command (analog frequency reference).

Operating with **HAND** selected - Bypass mode:

The Bypass can be operated locally from the front control panel by pressing the **Bypass Select** key. In **BYPASS** mode the Bypass contactor coil can be energized manually by pressing the **HAND** key. In Bypass mode, selecting **HAND** operation causes the motor to run at full speed, directly “across the line”.

Operating with **AUTO** selected - Bypass mode:

The Bypass can be operated remotely by pressing the **Bypass Select** key and selecting **AUTO** operation. In the **AUTO** mode the Bypass will look for a run command contact closure at terminals **TB1-2** and **TB1-9** on PCB A2, to control the run/stop status of “across the line” full speed motor operation.

Operating with **DRIVE TEST** selected - Bypass mode:

The only valid use of the **DRIVE TEST** function is in Bypass mode. **DRIVE TEST** provides for local control of the Drive for programming or other “tests” while keeping it isolated from the motor that is operating in Bypass mode.

◆ DIP Switch Selectable Functions

The switch selectable functions, **Auto Transfer**, **Safety Circuit Interlock** and **BAS Interlock** represent control strategies that may need to be disabled under various application circumstances. They may be enabled in any combination from none of them to all of them. See Table 4.1 for a summary of some common combinations of these switch selectable inputs.

■ Auto Transfer to Bypass

When enabled (DIP switch S2-1), the Bypass unit will automatically switch into Bypass mode on a Drive fault. After clearing the Drive fault condition, the function resets by moving the disconnect switch to the **OFF** position and waiting for the keypad to go blank. **CAUTION:** Before selecting this function in fan applications, care must be taken to ensure that the ductwork is designed to handle the pressure resulting from full speed operation with the VAV terminal unit dampers at minimum position or closed. The factory default for this function is disabled.

■ Safety Interlock Circuit

A Control terminal block position (TB1-1) is provided to connect the series circuit of Normally Closed (NC) safety devices such as: freeze-up thermostats, smoke/fire sensors, high pressure limits, temperature limits or vibration detectors. Anytime all the safety device contacts are closed, the Drive or Bypass will operate. When any one of these contacts open, the Drive or Bypass will immediately stop operating. This input is momentary, when a safety device contact re-closes, the Drive or Bypass will return to operation.

On power up the E7N will display a red “Safety Open” LED in the “System Status” area of the front control panel if a normally closed “Safety Circuit” has not been installed between TB1-1 and TB1-9 on PCB A2. This condition will prevent Drive or Bypass operation.

One of the following three items needs to be done prior to start-up:

- 1) Install a NC “Safety Circuit” between TB1-1 and TB1-9 on PCB A2.
- 2) Install a jumper between TB1-1 and TB1-9 on PCB A2. This method should be used if a “Safety Circuit” will be added later in the installation.
- 3) De-activate these terminals by moving DIP switch S2-7 to the ON position (toward the enclosure door). This solution is only suggested if a “Safety Circuit” will never be applied to the drive system.

■ Building Automation System Interlock Circuit

This is a Drive and Bypass enable input. A control terminal block position (TB1-3) is provided to connect Normally Open (NO) enabling contacts such as: damper end switches or occupied cycle timers. An open contact will override the run command, preventing Drive or Bypass operation until these input contacts are closed. For example, this input could insure that the system dampers achieve an operating position before the fan is started in order to protect the ductwork from over pressure.

When a Run command is received in HAND or AUTO mode, the E7N will display a red “Damper/BAS” LED in the “System Status” area of the front control panel. This condition will prevent Drive or Bypass operation.

One of the following three items needs to be done prior to start-up:

- 1) Install a “BAS Interlock Circuit” between TB1-3 and TB1-9 on PCB A2.
- 2) Install a jumper between TB1-3 and TB1-9 on PCB A2. This method should be used if a “BAS Interlock Circuit” will be added later in the installation.
- 3) De-activate these terminals by moving DIP switch S2-8 to the ON position (toward the enclosure door). This solution is only suggested if a “Safety Circuit” will never be applied to the drive system.

◆ Contact Closure Inputs

■ Auto Mode Run/Stop Contact Input

TB1-3 and **TB1-4** are input terminals used for the Run/Stop command when in the **AUTO** mode. When these input contacts close, the unit will begin running. When the contacts reopen, the unit will cease running.

■ Remote Transfer to Bypass

This function allows a contact closure from a BAS, between terminals **TB1-4** and **TB1-9**, to transfer motor operation from Drive mode to Bypass mode. This remote transfer to Bypass function overrides the **DRIVE/BYPASS** selector keys. An open contact causes operation in Drive mode and a closed contact results in Bypass mode.

■ Smoke Purge

This function allows a contact closure between terminals **TB1-5** and **TB1-9** to transfer motor operation to Bypass for a maximum capacity smoke control function. When in smoke purge mode, during emergency fire/smoke situations, the motor overloads and safety interlock circuit are overridden to shift the priority to protecting people rather than equipment. [**Note:** Smoke purge overrides all other control inputs and selector switches. Smoke purge operation can only be terminated by opening the contact closure at terminals **TB1-5** and **TB1-9** or by opening the Disconnect Switch.]

Chapter 5

Programming

This Manual contains descriptions of all parameters in the Drive that may be useful in Bypass applications. Parameters are listed in alpha-numerical order. Parameter number and name, along with a detailed description and its settings are described on the following pages. For descriptions of all drive parameters, see the Programming Manual (TM.E7.02).

Regarding Chapter 5	2
Standard LED Keypad Display and Optional LCD Keypad Display	2
Programming Instructions for Individual Drive Parameters	2
Programming for Various Configuration and Options	2
Virtual Terminals	2
Bypass Unit Basic Programming Parameters	4
Discussion of Table 5.2 Option-Dependent Bypass Parameter Settings	7
Drive Parameters	10
A1 Initialization	10
b1 Sequence	12
b2 DC Braking	17
b3 Speed Search	19
b5 PI Function	23
b8 Energy Savings	37
C1 Accel/Decel	38
d1 Preset References	39
d2 Reference (Speed Command) Limits	41
d3 Jump Frequencies	42
d4 Sequence	43
E1 V/f Pattern	44
E2 Motor Setup	47
F6 Com OPT Setup	48
H1 Digital Inputs	49
H2 Digital Outputs	53
H3 Analog Inputs	54
L2 Momentary Power Loss Ride-thru Function	60
L3 Stall Prevention	61
L4 Speed Command Loss Detection	64
L5 Fault Restart	65
L6 Torque Detection	67
L8 Hardware Protection	69
o1 Monitor Configuration	71
o2 Key Selections	75
o3 Digital Operator Copy Function	78
T1 Auto-Tuning	80

Regarding Chapter 5

◆ Standard LED Keypad Display and Optional LCD Keypad Display:

This programming chapter has been written to cover both the standard LED keypad display and the optional LCD keypad display. When referring to the keypad display, the complete description of the parameter setting choices are presented for clarity purposes. For example, one of the setting choices for parameter **b1-02** is “1: terminals.” Keep in mind that for the standard LED keypad display, only the number of the choice will be shown. The optional LCD keypad display is required to see the complete description.

Some sections of this chapter will apply only to the optional LCD operator, for example:

A1-00	Language Selection
o1-05 to o1-08	LCD Display Selections

◆ Programming Instructions for Individual Drive Parameters:

The discussions of individual Drive parameters in Chapter 5 are descriptive of the basic E7N unit without any options that would effect the programming of the E7 Drive.

◆ Programming for Various Configuration and Options:

Tables 5.1 and 5.2 and the section titled “Discussion of Table 5.2 Option-Dependent Bypass Parameter Settings” provide details of the unique programming required for the E7N Bypass applications of the Drive with various configurations of options and sources for the control signals.

Tables 5.3 and 5.4 are similar but add PI control to the configuration possibilities.

◆ Virtual Terminals

The Drive multi-function digital inputs and Drive analog inputs have (for the most part) become “virtual terminals” in the E7N two contactor Bypass design.

The Bypass 120 VAC logic circuit is interconnected, via ribbon cable, with the Drive multi-function digital inputs and Drive analog inputs to allow a single set of customer interface terminals to control both the Drive and Bypass circuits.

The Drive firmware however refers to these Drive terminals in order to program the functions of these inputs. The E7N programming documentation and this manual then need to refer to these “virtual terminals” in Chapter 5 (programming) and Appendix A (parameters). These “virtual terminals” are called out, for example, in Table 5.1 *Bypass Parameter Settings*.

Drive terminals S1 through and including S5 are consumed by the needs of the bypass logic circuit. The programming of these terminal functions is essential to the operation of the Drive and Bypass unit and is described in Tables 5.1 and 5.2.

Only Drive terminals A1, A2, S6, S7 and SN are available for other uses. They have been brought out to terminals on the E7N PCB A2:

Drive Terminals Correspondence to E7N Terminals			
Drive Terminal	E7N PCB A2 Terminal	Drive Function Selection Parameter	E7N PCB A2 DIP Switch
A1	TB3-3	b1-01	S1-3, S1-4
A2	TB3-3	H3-08, H3-13	S1-2, S1-3, S1-4
S6	TB5-5	H1-04	N/A
S7	TB5-4	H1-05	N/A
SN	TB5-2	Digital Common	N/A

Table 5.1 through Table 5.4 and the accompanying paragraphs explain the programming of the Drive for the E7N Bypass application, including these “virtual terminals.”

Bypass Unit Basic Programming Parameters

The basic Drive programming for a Bypass unit is different from that of a Drive installation without the Bypass option.

Several Drive parameters have been programmed at the factory to meet the needs of the Bypass logic circuit. See Table 5.1 below, the highlighted parameters are required by the Bypass logic circuit. Only those parameters that are changed from the Drive default are listed.

PARAMETER NUMBER	SETTING		UNITS	DESCRIPTION	OPTIONAL LCD KEYPAD DISPLAY For Bypass Setting
	For Bypass	Drive Default			
b1-01	SEE TABLE 5.2	1	N/A	Frequency Reference Selection – Selects the speed command input source	Reference Source / Terminals
b1-08	1	0	N/A	Run Command Selection During Programming – Selects if run command is accepted in DRIVE Operation menu only or in all menus.	RUN CMD at PRG / Enabled
d1-01	10.0	0.0	HZ	Frequency Reference 1 – Hand Mode Speed Reference, used with serial communication, see Table 5.2 and H1-03	Reference 1 / (0-60)
d1-02	6.0	0.0	HZ	Frequency Reference 2 – Hand Mode Speed Reference, used without serial communication, see Table 5.2 and H1-03	Reference 2 / (0-60)
E1-01	208 or 480	480	VOLTS	Input Voltage Setting – Set to the nominal Voltage Setting for the incoming line	Input Voltage / (range)
E1-05	208, 230 or 460	208 or 480	VOLTS	Output Volts Setting – Set to the nominal Voltage Rating of motors	Output Voltage / (range)
H1-01	70	24	N/A	Drive Terminal S3 Function Selection – Set for Drive run enable	Terminal S3 Sel / Drive Enable
H1-02	SEE TABLE 5.2	14	N/A	Drive Terminal S4 Function Selection – Set for fault reset or Frequency Reference 1	Terminal S4 Sel / Multi-Step Ref 1
H1-03	SEE TABLE 5.2	3	N/A	Drive Terminal S5 Function Selection – Set For Frequency Reference 1 or Serial Communication	Terminal S5 Sel / Multi-Step Ref 1
H2-02	3B	A	N/A	Drive Terminals M3 - M4 Function Selection – Set for serial communication run command	Term M3-M4 Sel / Com RUN Command
H3-08	SEE TABLE 5.2	2	N/A	Drive Terminal A2 Signal Level –Signal selection, 0 to 10 VDC (Drive control board switch S1-2 off) or 4 to 20 mA (Drive control board switch S1-2 on)	Term A2 Signal / 0-10 VDC
H3-09	SEE TABLE 5.2	2	N/A	Drive Terminal A2 Function Selection – Selects how this input will be used by the Drive	Terminal A2 Sel / Aux Reference
H5-02	SEE TABLE 5.2	3	N/A	Serial Communication Speed Selection, Baud Rate	Serial Baud Rate 1 9600 Baud
H5-07	SEE TABLE 5.2	1	N/A	Serial Communication Request to Send Control	RT5 Control Sel/enabled
H5-08	SEE TABLE 5.2	0	N/A	Serial Communication Protocol Selection	Protocol Select/N2 (Metasys)
H5-09	10.0	2	SEC	Serial Communication Error Detection Time	CE Detect Time/ (0.0 - 10.0)
L4-05	0	1	N/A	Frequency Reference Loss Detection Selection – Determines Drive response to loss of the frequency speed command	Ref Loss Sel / Stop

Table 5.1 Bypass Parameter Settings (Continued)					
PARAMETER NUMBER	SETTING		UNITS	DESCRIPTION	OPTIONAL LCD KEYPAD DISPLAY For Bypass Setting
	For Bypass	Drive Default			
L5-01	10.0	0	N/A	Number of Re-start Attempts – Sets the number of times the Drive will perform an automatic re-start	Num of Restarts / (0-10)
L5-03	10	180	SEC	Maximum Restart Time After Fault – If not successfully started after this time, restart attempts stop and Drive faults	Max Restart Time / (.5-600.0)
02-01	0	1	N/A	Drive Local/Remote Key Function Selection – Enables or Disables the Local/Remote Key	Local/Remote Key/ Disabled
o2-02	0	1	N/A	Drive OFF Key Function During Auto Run – Enables or disables the Off key.	Oper STOP Key / Disabled
o2-03	1	0	N/A	User Parameter Default Value – Stores Bypass parameter settings for recall via A1-03 = “1110: User Initialize”	User Defaults/ Set Defaults
o2-15	0	1	N/A	Drive Hand Key Function Selection - Enables or disables the Hand and Auto keys (optional LCD operator)	Hand Key / Disabled
o3-02	1	0		Read Allowed Selection – Enables or disables keypad copy functions	Read Allowable / Enabled

The shaded Bypass Parameter Settings in Table 5.1 document Drive parameter settings, required to interface with the Bypass logic circuit, that have been established at the factory and stored in a dedicated location in the memory as “User Initialization” values (think of it as a “back-up file”).

Table 5.1 is also used to document parameters that have been factory set, for convenience, to typical values for fan and pump applications. These parameters may be changed to meet the needs of the specific application.

If additional parameters are set to the specific needs of the application project, and the system operation has been checked and verified, then the “User Initialization” values should be stored in memory again by selecting and entering “1: Set Default” in parameter **o2-03**.

When there is a need for re-initialization of the “user” parameters (re-setting to the “User Initialization” values) of the Bypass unit, then a “User Initialization” function should be carried out by selecting “1110: User Initialize” in parameter **A1-03**. This will re-establish the drive set-up required for the Bypass application and any “user” parameter values that have been stored.

The factory parameter settings required to interface with the bypass logic circuit have also been stored in the digital keypad memory. If there is a need for re-initialization (re-setting to a known factory starting point for trouble-shooting purposes) of the Bypass unit, then the “back-up file” in the digital keypad memory can be copied to the drive. In parameter o3-01 select “2: OP->INV WRITE” to carry out the copy function.

Table 5.2 Option Dependent Bypass Parameter Settings

Options Specified	Parameters Effected by Options Specified and Settings								PCB DIP Switch S1		PCB DIP Switch S4	HAND Speed Command Source		Drive Terminal A2 Signal Level via TB3-3 or TB5-9			AUTO			
	b1-01	H1-02 (S4)	H1-03 (S5)	H3-08	H3-09	H5-2	H5-7	H5-8	1	2	2	Keypad		4-20 mA	0-10 VDC	3-15 PSIG	Run/Stop		Speed	
												d1-01	d1-02				Terminal TB1-2	Serial #	TB3-3 (A2)	Serial #
None	1*	14*	3*	2*	0	@	@	@	@	On*	Off*		X	X			X		X	
None	1	14	3	0	0	@	@	@	@	Off	Off		X		X		X		X	
P	1	14	3	2	0	@	@	@	@	On	Off		X	X		X	X		X	
J	0	14	6C	@	@	3*	1*	1	Off*	@	Off	X						X		X
U	0	14	6C	@	@	2	1	2	Off	@	Off	X						X		X
V	0	14	6C	@	@	3	1	0*	Off	@	Off	X						X		X
J	0	3	6C	0	2*	3	1	1	Off	Off	On	X		X				X	X	
U	0	3	6C	2	2	2	1	2	Off	On	On	X		X				X	X	
V	0	3	6C	0	2	3	1	0	Off	Off	On	X		X		X	X	X	X	
J & P	0	3	6C	2	2	3	1	1	Off	On	On	X		X		X		X	X	
U & P	0	3	6C	2	2	2	1	2	Off	On	On	X		X		X		X	X	
V & P	0	3	6C	2	2	3	1	0	Off	On	On	X		X		X		X	X	
L	0	14	6C	@	2	3	0	0	On	@	Off	X					X	X		X
L	0	3	6C	0	2	3	0	0	On	Off	On	X		X				X	X	
L & P	0	3	6C	2	2	3	0	0	On	On	On	X		X		X		X	X	

Definitions:

L = LonWorks Option Card
 J = Native Protocol, Metasys N2
 P = Pneumatic Interface (3 to 15 PSIG)
 U = Native Protocol, APOGEE FLN
 V = Native Protocol, Modbus

* = The Drive factory default
 # = The H/O/A selector keys must have AUTO selected to allow serial com. to control the Drive
 @ = Don't care

Parameter Reference:

b1-01: Speed Command Input Source 0: Operator 1: Terminals (default)	H5-02: Communication Speed Selection 3: 9600 Baud (default) 2: 4800 Baud
H1-02: Drive Terminal S4 Function Selection 3: Multi-step Ref 1 14: Fault Reset (default)	H5-07: RTS Control Selection 0: Disabled (RTS always on) 1: Enabled (RTS on only when sending) (default)
H1-03: Drive Terminal S5 Function Selection 3: Multi-step Ref 1 (default) 6C: Com/Inv Sel 2	H5-08: Communication Protocol Selection 0: Modbus (default) 1: N2 (Metasys) 2: FLN (APOGEE)
H3-08: Drive Terminal A2 Signal Level 0: 0 - 10 VDC 2: 4 - 20 mA (default)	d1-01: Frequency Reference 1 d1-02: Frequency Reference 2
H3-09: Drive Terminal A2 Function Selection 0: Frequency Bias 2: Aux Reference (default)	

DIP Switch Reference:

S1-1: Terminating resistor, always on for option L, otherwise on only if last device.
 S1-2: Drive Terminal A2 signal level
 On = 4-20 mA Off = 0-10 VDC
 S4-2: Drive input terminal S4 operation
 On = Input S4 operates inversely with input S5
 Off = Inputs S4 and S5 operate independently

Notes:

Hand mode run/stop for Drive and Bypass is always via the front control panel HAND selector key.
 Auto mode run/stop for Drive and Bypass without serial com. is from terminal TB1-2.
 Auto mode run/stop with serial com. is from serial com. for both Drive and Bypass modes.
 DIP switch configurable terminal TB3-3 is connected to Drive terminal A2 (the default). See Chapter 2 Table 2.8 for the alternate TB3-3 configuration.
 A Jumper is required from TB5-2 to TB5-7. This is essential for serial com. applications and benign for all other applications.

◆ Discussion of Table 5.2 Option-Dependent Bypass Parameter Settings:

Drive Parameter Settings for Various Combinations of Bypass and Options

Notes:

See Appendix D, Communications, for additional information on serial communication.

Hand mode run/stop for Drive and Bypass is always via the front control panel **HAND** selector key.

The **HAND/OFF/AUTO** selector keys must be in **AUTO** position if serial communication is to be used to control the Drive.

For “monitoring only” of Drive parameters and operation, via serial communication, the user needs only to set-up the H5-0X "Serial Com Setup" parameters. All other parameters may remain as they were factory programmed for the Bypass unit and options.

Option L, LonWorks serial communication always requires DIP switch S1-1 (terminating resistor) to be ON. See the LonWorks Option Installation Guide (IG.AFD.20.LONWORKS) for additional parameter setting instructions. Options J, U or V require a terminating resistor only when the Drive is the last device on the serial communication chain.

To add a speed potentiometer at terminals TB3-1 to TB3-3 for HAND mode speed command: Configure terminal TB3-3 to connect to Drive terminal A1 by placing DIP switch S1-3 in the Off position and DIP switch S1-4 in the On position:

For an E7N with no options, as in line 2 of Table 5.2, change to have H3-09 = 2 and ensure that H3-13 = 1 (all other parameters per line 2 of Table 5.2)

For an E7N with serial communications, as in lines 4, 5 and 6 of Table 5.2, change b1-01 = 1, H3-09 = 2, and H3-13 = 0 (all other parameters per line 4, 5 or 6 of Table 5.2)

■ Options - None; Bypass with no options:

Hand mode speed command from Keypad/Operator.

Auto mode speed command input signal, 4-20 mA applied to Terminal TB3-3 (Drive terminal A2).

Auto mode run/stop contact closure for Drive and Bypass applied to terminals TB1-2 and TB1-9.

Significant Parameter Setting	Drive Operational Result
b1-01 = 1: Terminals (default)	Speed command source = Terminals
H3-08 = 2: 4-20 mA (default)	Drive Terminal A2 is programmed for 4-20 mA (Note – Control PCB DIP switch S1-2 must also be ON)
H3-09 = 0: Frequency Bias	Drive Terminal A2 function is set to “bias” the terminal A1 input. Terminal A1 is not used, therefore the A2 “bias” signal becomes the speed command.
H1-03 = 3: Multi-Step Ref 1 (default)	A Drive terminal S5 input contact closure selects d1-02 (keypad) as a preset speed. This input contact is closed when H/O/A = Hand.

■ Options - None; Bypass with no options:

Hand mode speed command from Keypad/Operator.

Auto mode speed command input signal, 0-10 VDC applied to Terminal TB3-3 (Drive terminal A2).

Auto mode run/stop contact closure for Drive and Bypass applied to terminals TB1-2 and TB1-9.

Significant Parameter Setting	Drive Operational Result
b1-01 = 1: Terminals (default)	Speed command source = Terminals
H3-08 = 0: 0-10 VDC	Drive Terminal A2 is programmed for 0-10 VDC (Note – Control PCB DIP switch S1-2 must also be OFF)
H3-09 = 0: Frequency Bias	Drive Terminal A2 function is set to “bias” the terminal A1 input. Terminal A1 is not used, therefore the A2 “bias” signal becomes the speed command.
H1-03 = 3: Multi-Step Ref 1 (default)	A Drive terminal S5 input contact closure selects d1-02 (keypad) as a preset speed. This input contact is closed when H/O/A = Hand.

Options - P "Pneumatic Pressure Transducer"; Bypass with pneumatic input for speed control:

Hand mode speed command from Keypad/Operator.

Auto mode speed command input signal from the pneumatic transducer, or 4-20 mA applied to Terminal TB5-9 (Drive terminal A2).

Auto mode run/stop contact closure for Drive and Bypass applied to terminals TB1-2 and TB1-9.

Significant Parameter Setting	Drive Operational Result
b1-01 = 1: Terminals (default)	Speed command source = Terminals
H3-08 = 2: 4-20 mA (default)	Drive Terminal A2 is programmed for 4-20 mA (Transducer output is 4-20 mA) (Note – Control PCB DIP switch S1-2 must also be ON)
H3-09 = 0: Frequency Bias	Drive Terminal A2 function is set to “bias” the terminal A1 input. Terminal A1 is not used, therefore the A2 “bias” signal becomes the speed command.
H1-03 = 3: Multi-Step Ref 1 (default)	A Drive terminal S5 input contact closure selects d1-02 (keypad) as a preset speed. This input contact is closed when H/O/A = Hand.

Options - J, U, V or L "Serial Communications"; Bypass with serial communication for control:

Hand mode speed command from Keypad/Operator.

Auto mode speed command input signal from serial communication.

Auto mode run/stop command for Drive from serial communication.

Auto mode run/stop command for Bypass from serial communication.

Significant Parameter Setting	Drive Operational Result
b1-01 = 0: Operator	Speed command source = Keypad/Operator (d1-01)
H1-03 = 6C: Com/Inv Sel 2	A Drive terminal S5 input contact closure allows b1-01 to select d1-01 (keypad) as a preset speed. An open contact selects serial com for speed command and run/stop. This input contact is closed when H/O/A = Hand.
H5-02 = Baud Rate	Each protocol requires the baud rate indicated in Table 5.2
H5-07 = RTS Control	Each protocol requires the Request to Send control indicated in Table 5.2
H5-08 = Protocol Selection	Drive communicates via protocol selected. 0: Modbus, 1: N2 or 2: FLN

■ Options - J, U, V or L "Serial Communications"; Bypass with serial communication for run/stop control and speed monitoring:

Hand mode speed command from Keypad/Operator.

Auto mode speed command input signal, 0-10 VDC applied to Terminal TB3-3 (Drive terminal A2).

Auto mode run/stop command for Drive from serial communication.

Auto mode run/stop command for Bypass from serial communication.

Significant Parameter Setting	Drive Operational Result
b1-01 = 0: Operator	Speed command source = Keypad/Operator (d1-01)
H3-08 = 0: 0-10 VDC	Drive Terminal A2 is programmed for 0-10 VDC (Note – Control PCB DIP switch S1-2 must also be OFF)
H3-09 = 2: Aux Reference (default)	Drive Terminal A2 function is set to be a speed command input. This setting also gives terminal A2 priority over d1-02 for “preset speed 2”, see Programming Manual TM.E7.02.
H1-02 = 3: Multi-Step Ref 1 DIP switch S4-2 must be ON	A Drive terminal S4 input contact closure selects A2 as “preset speed 2” speed input. The S4 input closes when H/O/A = Auto.
H1-03 = 6C: Com/Inv Sel 2	A Drive terminal S5 input contact closure allows b1-01 to select d1-01 (keypad) as the speed command. An open contact selects serial com for the run/stop command (the serial com speed command is overridden by the preset speed above). This input contact is closed when H/O/A = Hand.
H5-02 = Baud Rate	Each protocol requires the baud rate indicated in Table 5.2
H5-07 = RTS Control	Each protocol requires the Request to Send control indicated in Table 5.2
H5-08 = Protocol Selection	Drive communicates via protocol selected. 0: Modbus, 1: N2 or 2: FLN

■ Options - J, U, V or L and P "Serial Communications" and "Pneumatic Pressure Transducer"; Bypass with serial communication for run/stop control and speed monitoring, with pneumatic input for speed control:

Hand mode speed command from Keypad/Operator.

Auto mode speed command input signal from the pneumatic transducer, or 4-20 mA applied to Terminal TB5-9 (Drive terminal A2).

Auto mode run/stop command for Drive from serial communication.

Auto mode run/stop command for Bypass from serial communication.

Significant Parameter Setting	Drive Operational Result
b1-01 = 0: Operator	Speed command source = Keypad/Operator (d1-01)
H3-08 = 2: 4-20 mA (default)	Drive Terminal A2 is programmed for 4-20 mA (Transducer output is 4-20 mA) (Note – Control PCB DIP switch S1-2 must also be ON)
H3-09 = 2: Aux Reference (default)	Drive Terminal A2 function is set to be a speed command input. This setting also gives terminal A2 priority over d1-02 for “preset speed 2”, see Programming Manual TM.E7.02.
H1-02 = 3: Multi-Step Ref 1 DIP switch S4-2 must be ON	A Drive terminal S4 input contact closure selects A2 as “preset speed 2” speed input. The S4 input closes when H/O/A = Auto.
H1-03 = 6C: Com/Inv Sel 2	A Drive terminal S5 input contact closure allows b1-01 to select d1-01 (keypad) as the speed command. An open contact selects serial com for the run/stop command (the serial com speed command is overridden by the preset speed above). This input contact is closed when H/O/A = Hand.
H5-02 = Baud Rate	Each protocol requires the baud rate indicated in Table 5.2
H5-07 = RTS Control	Each protocol requires the Request to Send control indicated in Table 5.2
H5-08 = Protocol Selection	Drive communicates via protocol selected. 0: Modbus, 1: N2 or 2: FLN

Drive Parameters

◆ A1 Initialization

The initialization group contains parameters associated with initial setup of the Drive. Parameters involving the display language, access levels, initialization and password are located in this group.

■ A1-00 Select Language (Optional LCD keypad only)

Setting	Description
0	English (<i>factory default</i>)
1	Japanese
2	Deutsch
3	Francais
4	Italiano
5	Espanol
6	Portugues

The setting of parameter A1-00 determines which international language the Drive will use to display non-numerical text. The A1-00 parameter will not be changed by an Initialization of the Drive (A1-03= “1110: User Initialize”, “2220: 2-Wire Initial”, or “3330: 3-Wire Initial”).

If the Drive is accidentally set to a language unfamiliar to the operator, locating the parameter to change the operator language can be done by performing the following:

1. Press the MENU key until the “-ADV-” MENU is shown in the upper left corner of the digital operator.
2. Press the DATA/ENTER key to enter the programming menu. The first parameter shown is A1-00 (Select Language).
3. Press the DATA/ENTER key again and use the INCREASE and DECREASE arrow keys to choose the preferred language from the list below:

0 : English
1 : Japanese
2 : Deutsch (German)
3 : Francais (French)
4 : Italiano (Italian)
5 : Español (Spanish)
6 : Português (Portuguese)

■ A1-01 Access Level Selection

Setting	Description
0	Operation Only
1	User Level
2	Advanced Level (<i>factory default</i>)

A1-01 can be used to allow access to and permission to change all Drive parameters. If the Drive is programmed for Operation Only (A1-01= “0: Operation Only”), then only the OPERATION and the PROGRAMMING menus are accessible. Within the PROGRAMMING menu only parameters A1-01 and A1-04 are adjustable.

If A1-01 is configured for Advanced Access (A1-01= “2: Advanced Level”), then all menus and all parameters are shown. If the Access Level Selection is set to Advanced, all parameters should be adjustable unless:

1. The Drive parameters are password protected (A1-04) which will prevent access to A1-00 through A1-03 and all A2 parameters.
2. A digital input has been configured as a Program Lockout (H1-0X= 1B) is active.
3. During serial communication writing, if a parameter change is also attempted via the digital operator, a “BUSY - WRITE PROTECTED” message will display. Parameter change will not be possible from the digital operator until an Enter command is received via the serial communication to finish the serial writing process.

■ A1-03 Initialize Parameters

Setting	Description
0	No Initialize (<i>factory default</i>)
1110	User Initialize
2220	2-Wire Initialize
3330	3-Wire Initialize

The Drive can be set back to one of three default states via the A1-03 parameter.

Note: The E7N application of the Drive employs “2-wire” control.

1. User Initialization – 1110: The modified Drive parameters are returned to the values selected as user settings. User settings are stored when parameter o2-03= “1: Set Defaults”.
2. 2-Wire Initialization – 2220: The Drive parameters are returned to factory default values with digital inputs S1 and S2 configured as Forward Run and Reverse Run, respectively.
3. 3-Wire Initialization – 3330: The Drive parameters are returned to factory default values with digital inputs S1, S2, and S5 configured as Run, Stop, and Forward/Reverse respectively.

After an initialization is performed, parameter A1-03 will automatically be set back to 0.

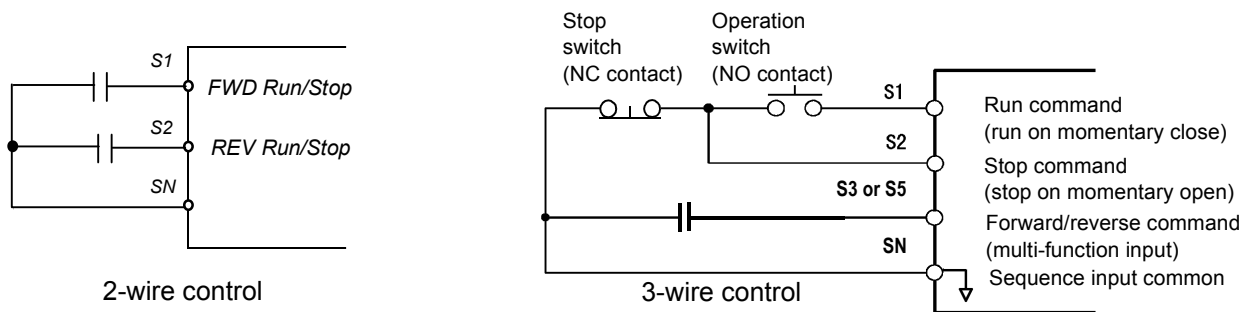


Fig 5.1 2 & 3-Wire Control Wiring Examples

See “Virtual Terminals” note on page 5-2.

IMPORTANT

Some parameters are unaffected by either the 2-Wire or 3-Wire initialization. The following parameters will not be reset when parameter A1-03=2220 or 3330:

A1-00	Language Selection
E1-03	V/f Pattern Selection
o2-04	kVA Selection
o2-09	Initialization Specification Selection

■ A1-04 Password Entry

Setting Range: 0 to 9999

Factory Default: 0

If parameters A1-01 through A1-03 and all of the A2 parameters are locked (unchangeable) they can be unlocked by entering the correct password number into A1-04.

Once the correct password number is entered and the specified parameters are unlocked, a 2-Wire or 3-Wire initialization will reset the password to 0000.

■ A1-05 Select Password

Setting Range: 0 to 9999

Factory Default: 0

When the value set into A1-04 does NOT match the value set into A1-05, parameters A1-01 thru A1-03 and A2-32 cannot be changed. All other parameters determined by A1-01 can be changed. Parameter A1-05 can be accessed by displaying parameter A1-04, then press and hold the RESET key along with the MENU key simultaneously.

◆ b1 Sequence

The Sequence Group contains parameters associated with starting and stopping the Drive. Parameters involving the Run Command, Speed Reference location, Stopping Method and Hand/Auto changeover are located in this group.

■ b1-01 Reference (Speed Command) Source Selection

This is one of the special parameter settings required by the Bypass logic circuit. See Table 5.1.

Setting	Description
0	Operator - Digital Preset Speed d1-01
1	Terminals - Analog Input Terminal A1 (or Terminal A2, see Parameter H3-13)
2	Serial Com - RS-485 Terminals R+, R-, S+ and S-
3	Option PCB - Option Board connected at 2CN

In order to run the Drive and motor with the BYPASS/DRIVE select keys in the DRIVE Select position: the Drive must receive a Run command and a speed command. Parameter b1-01 specifies from where the speed command is received when the Drive is in the **AUTO** mode. Switching into the **AUTO** mode can be done by pressing the AUTO key of the Hand/Off/Auto selector.

IMPORTANT

If a Run command is input to the Drive but no corresponding speed command is input, the Run indicator on the digital operator will turn on and the STOP indicator on the digital operator will blink.

If you want the Drive to follow the speed command set by the digital operator: Use the **HAND** mode by pressing the HAND key of the **HAND/OFF/AUTO** selector. The speed command can then be entered into the U1-01 monitor parameter in the “-DRIVE-” Menu.

If you want the Drive to follow an AUTO analog speed command: Connect a 0 – 10 VDC or a 4 – 20 mA speed command signal to terminals TB3-3 (positive) and TB3-1 (common). Select the **AUTO** position of the Hand/Off/Auto selector.

If you want the Drive to receive the speed command from serial communication: Set the parameters indicated in Table 5.2 for the desired serial communication option. Connect the RS-485/422 serial communications cable to terminals TB4-3 (R+), TB4-4 (R-), TB4-1 (S+), and TB4-2 (S-) on the E7N PCB A2. The **HAND/OFF/AUTO** selector must be in the **AUTO** position.

■ b1-02 Run Source

Setting	Description
0	Operator
1	Terminals <i>(factory default)</i>
2	Serial Com
3	Option PCB

To successfully operate the Drive or Bypass and motor remotely, an external run command must be received by the Drive and Bypass unit. Parameter b1-02 specifies from where the run command for the Drive will be accepted.

This parameter is by default set to “1: Terminals.” This setting is required by the Bypass logic circuit.

To issue a run command from the control panel: Press the HAND key of the Hand/Off/Auto selector.

To issue a run command from a remote source, such as a BAS: The Hand/Off/Auto selector must be in the **AUTO** position. A contact closure between terminals TB1-2 and TB1-9 will control the Drive or Bypass start and stop operation.

To issue a run command via serial communication: Set the parameters indicated in Table 5.2 for the desired serial communication option. Connect the RS-485/422 serial communication cable to TB4-3 (R+), TB4-4 (R-), TB4-1 (S+), and TB4-2 (S-) on the E7N PCB A2.

■ b1-03 Stopping Method

There are four methods of stopping the Drive when the Run command is removed.

Setting	Description
0	Ramp to Stop <i>(factory default)</i>
1	Coast to Stop
2	DC Injection to Stop
3	Coast w/Timer

“0: Ramp to stop”: When the Run command is removed, the Drive will decelerate the motor to 0 rpm. The rate of deceleration is determined by the active deceleration time. The factory default Decel Time is in parameter C1-02.

When the output frequency has dropped below the DC Injection Start Frequency in b2-01 (Default = 0.5HZ) DC current will be injected in the motor at a level determined by b2-02 (50% Default). The DC Injection condition will occur for the time specified by b2-04 (0.0 Default), to establish the end point of the ramp. DC injection can be used to insure the motor is at zero rpm prior to the Drive shutting off.

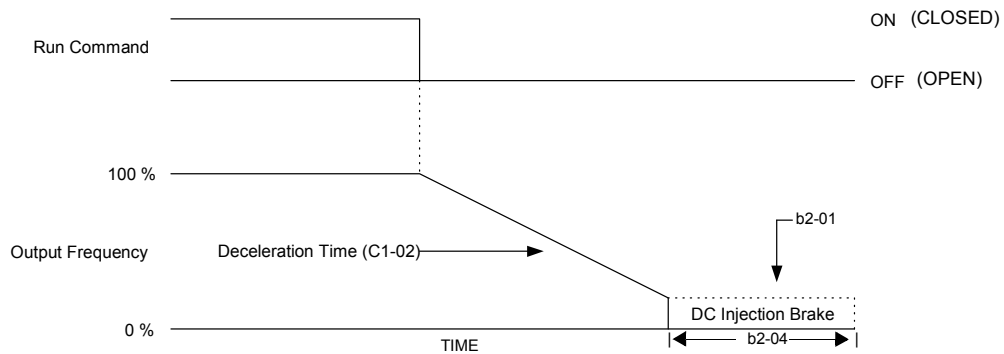


Fig 5.2 Deceleration to Stop

The actual deceleration time can be determined by the following formula

$$\text{Time to Stop} = \frac{\text{Output Freq. at time of stop command}}{\text{Maximum Frequency (E1 - 04)}} \times \text{Setting of active Decel Time (C1 - 02 or C1-04)}$$

If S-Curve characteristics are specified by the Drive programming, they will add to the total time to stop.

1: Coast to stop: When the Run command is removed, the Drive will turn off its output and the motor will coast (uncontrolled deceleration). The friction of the driven equipment will eventually overcome any residual inertia of the system and the rotation will stop.

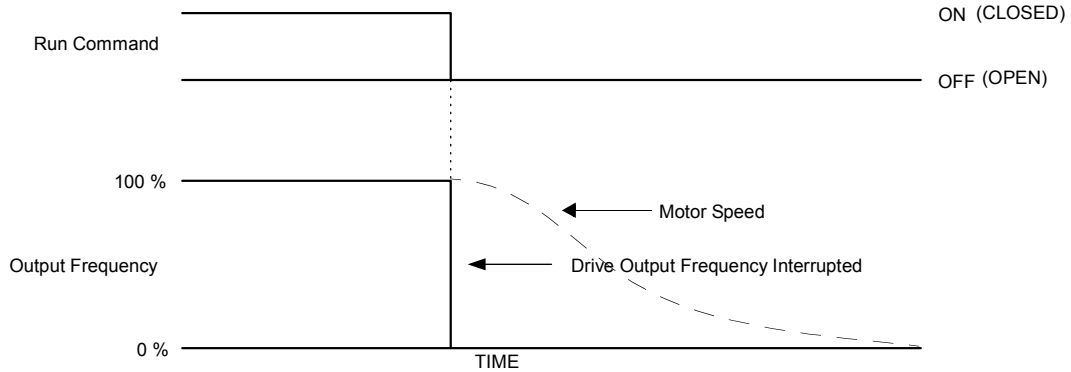


Fig 5.3 Coast to Stop

IMPORTANT

After a stop is initiated, a subsequent Run commands input before the Minimum Baseblock Time (L2-03) has expired, will be ignored.

2: DCInj to Stop: When the Run command is removed, the Drive will Baseblock (turn off its output) for the Minimum Baseblock Time (L2-03). Once the Minimum Baseblock Time has expired, the Drive will inject DC current into the motor windings to lock the motor shaft. The stopping time will be reduced as compared to Coast to Stop. The level of DC Injection current is set by parameter b2-02 (50% Default). The DC Injection brake time is determined by the set value in b2-04 and the output frequency at the time the Run command is removed.

$$\text{DC Injection Brake Time} = \frac{(b2 - 04) \times 10 \times \text{Output Frequency}}{\text{Maximum Frequency (E1 - 04)}}$$

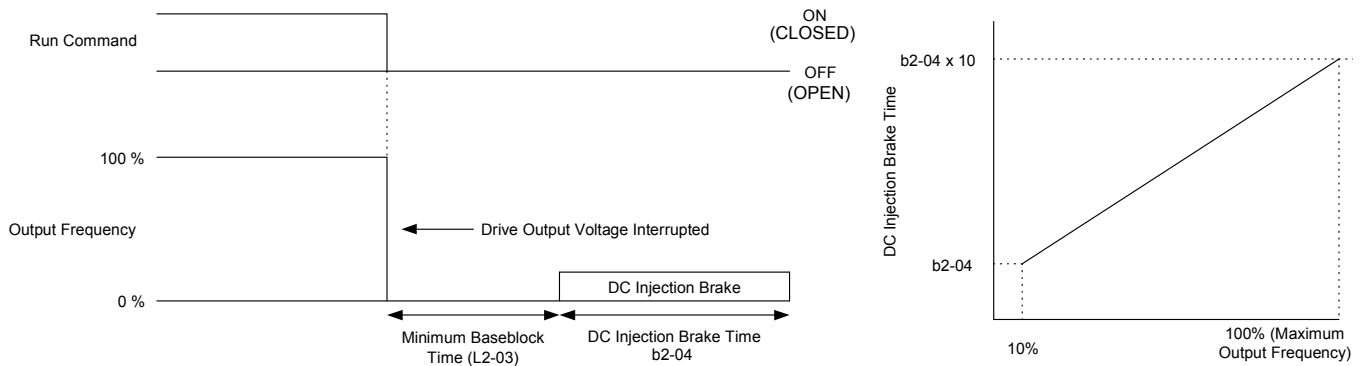


Fig 5.4 DC Injection Braking to Stop

IMPORTANT

If an overcurrent (OC) fault occurs during DCInj to Stop, lengthen the Minimum Baseblock Time (L2-03) until the fault no longer occurs.

3: Coast w/Timer: When the Run command is removed, the Drive will turn off its output and the motor will coast to a stop. If a Run command is input before time T (Operation Wait Time) expires, the Drive will not run and the Run command will need to be cycled before operation can occur. The time T (Operation Wait Time) is determined by the output frequency when the Run command is removed and the active deceleration time (C1-02).

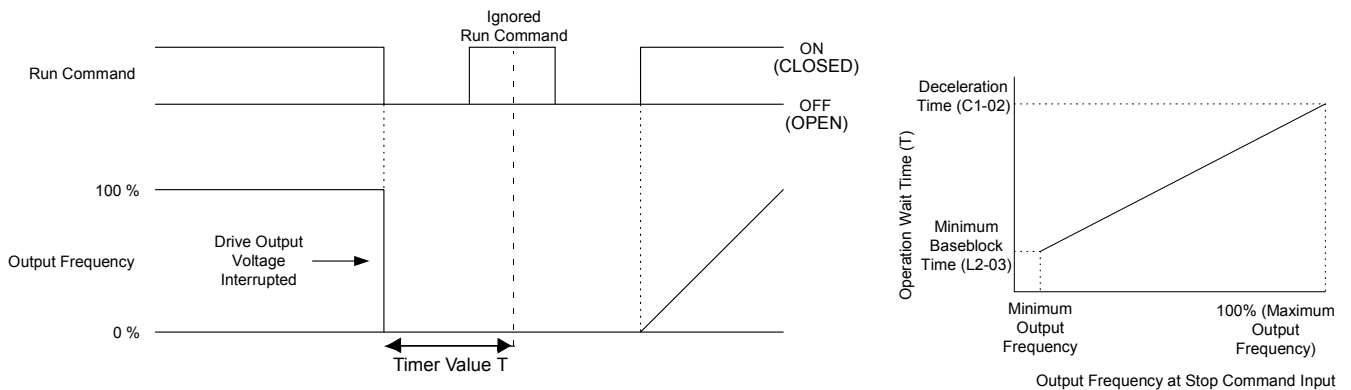


Fig 5.5 Coast to Stop with Timer

■ b1-04 Reverse Operation

Setting	Description
0	Reverse Enabled
1	Reverse Disabled (<i>factory default</i>)
2	Exchange Phase
3	ExchgPhs, Rev Dsbl

For some applications reverse motor rotation is not applicable and may even cause problems (e.g., air handling units, pumps, etc.). Setting parameter b1-04 to 1 or 3 will cause the Drive to ignore any inputs for reverse operation. Setting parameter b1-04 to either 2 or 3 will change the motor shaft rotation when a Forward Run command is given by exchanging the order of the output phasing.

The factory default setting of parameter b1-04 is “1: Disabled”. When b1-04= “1: Disabled”, reverse operation is prohibited and no exchanging of output phasing occurs.

It’s not immediately apparent how to program a reverse run function on the E7N. Cooling tower defrost initiated by a BAS contact closure is an example. Here is one way to accomplish this:

As the unit ships from the factory, Drive terminals S6 and S7 are the only ones available for customer use. All others are used for the bypass logic circuit.

A dry contact is wired between terminals TB5-2 and TB5-5, (if using Drive terminal S6), or TB5-2 and TB5-4, (if using Drive terminal S7). Terminal S6 is not available if utilizing the PI function.

H1-04, (if using Drive terminal S6), or H1-05, (if using Drive terminal S7), is programmed for “Reverse Jog” (13).

d1-17 is programmed for the desired reverse jog speed.

b1-04 is programmed for “0: reverse enable.”

When the contact is closed, the motor will run in reverse at the speed programmed in d1-17.

■ b1-07 Local/Remote Run Selection

Setting	Description
0	Cycle Extern Run
1	Accept Extrn Run (<i>factory default</i>)

When the Drive is switched between the Local (Hand) mode (the digital operator) to the Remote (Auto) mode by the Hand/Off/Auto selector, there is the possibility that a Run command is already present (i.e. a contact closure between terminals TB1-2 and TB1-9. Parameter b1-07 determines whether the Drive will:

Ignore the external Run command until it is removed and re-instated (b1-07= “0: Cycle Extern Run”)

OR

Accept the already present Run command and immediately begin acceleration to the commanded speed (b1-07= “1: Accept Extrn Run”).

IMPORTANT

When switching from local mode to Auto mode when b1-07= “1:Accept Extrn Run” the Drive may start unexpectedly if the Run command is already applied. Be sure all personnel are clear of rotating machinery and electrical connections prior to switching between local mode and Auto mode.

■ b1-08 Run Command Selection During Programming

Setting	Description
0	Disabled
1	Enabled (<i>factory default</i>)

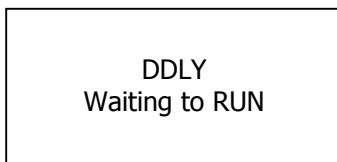
As a convenience to the user, the Drive will respond to a Run input even when the digital operator is being used to adjust parameters. If it is necessary that external Run commands not be recognized while the Drive is being programmed, set b1-08= “0: Disabled”.

■ b1-11 Drive Delay Time Setting

Setting Range: 0 to 600 Seconds

Factory Default: 0 Seconds

If a time is set into parameter b1-11, the Drive will delay executing any run command until the b1-11 time has expired. During Drive delay time execution, the digital operator will display:



Both the ALARM and Run indicators will blink while the Drive waits to execute the Run command.

◆ b2 DC Braking

The DC Braking Group contains parameters associated with the DC injection braking feature. Parameters involving the starting frequency, current level, braking time, and motor pre heat current level are located here.

■ b2-01 DC Injection Braking Start Frequency

Setting Range: 0.0 to 10.0 Hz

Factory Default: 0.5 Hz

Parameter b2-01 sets the output frequency where the Drive begins DC Injection during Ramp to stop, in order to lock the rotor of the motor and established the end point of the ramp. If b2-01 < E1-09 (Minimum Frequency), then DC Injection begins at E1-09.

Parameter b2-01 also determines the output frequency that the Drive must be at or below before a Zero Speed condition is considered true. This affects any digital output configured as a Zero Speed signal (H2-0x= “1: Zero Speed”).

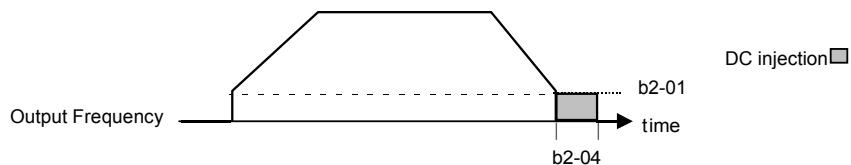


Fig 5.6 DC Injection Braking During Stopping

■ b2-02 DC Injection Braking Current

Setting Range: 0 to 100%

Factory Default: 50%

The level of DC Injection Braking Current affects the strength of the magnetic field attempting to lock the motor shaft. Increasing the level of current will increase the amount of heat generated by the motor windings and should only be increased to the level necessary to hold the motor shaft. DC Injection current is set in percentage of Drive rated output current. Drive rated output current is stated on the Drive nameplate.

■ b2-03 DC Injection Braking Time at Start

b2-04 DC Injection Braking Time at Stop

Setting Range: 0.00 to 10.00 Seconds

Factory Default: b2-03 = 5.00 Seconds

b2-04 = 0.00 Seconds

b2-03 is one of the special parameter settings required by the Bypass logic circuit. See Table 5.1.

The Drive can be programmed to automatically DC Inject for a predetermined amount of time prior to accelerating to speed (b2-03) and/or at the end of a Ramp to stop (b2-04). Parameter b2-03 can be used to stop a rotating motor prior to attempting acceleration (i.e. a wind milling fan). If DC Injection braking at start or Speed Search is not enabled, attempting to Drive a spinning motor may cause nuisance tripping.

Parameter b2-04 can be used to resist any residual motion of the load after the deceleration has finished.

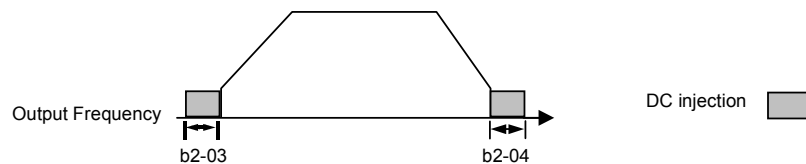


Fig 5.7 DC Injection Braking During Starting and Stopping

Parameter b2-04 also serves the function of affecting the length of time DC Injection to stop (b1-03= “2: DC Injection to Stop”) will occur.

■ b2-09 Motor Pre-Heat Current

Setting Range: 0 to 100%

Factory Default: 0%

A DC current can be circulated within the motor windings while the motor is stopped. The current will produce heat within the motor and prevent condensation. Parameter b2-09 determines the percentage of Drive rated output current that will be used for the motor pre-heat function. This function can be useful in applications where the motor sits for extended periods of time in humid conditions. Motor pre-heating can only be initiated by closing a digital input programmed as a Motor Pre-heat Input (H1-0x= 60). Check with the motor manufacturer to determine the maximum acceptable current level the motor can withstand when stopped. Be sure not to exceed the motor manufacturers recommended level.

◆ b3 Speed Search

The Speed Search function allows the Drive to determine the speed of a motor shaft that is being driven by rotational inertia. Speed Search will allow the Drive to determine the speed of the already rotating motor and begin to ramp the motor to a set speed without first having to bring it to a complete stop. When a momentary loss of supply power is experienced, the Drive output is turned off. This results in a coasting motor. When power returns, the Drive can determine the speed of the coasting motor and start without requiring it to be brought to minimum speed. Speed Search can be programmed to always be active by setting b3-01 or it can be commanded by remote contact closure by setting a digital input.

There are two forms of Speed Search in the Drive, the speed estimation method and the current detection method.

IMPORTANT

When setting the Drive for remote Speed Search input, via a contact closure, the method of Speed Search is determined by the setting of b3-01. If b3-01= "0: SpdsrchF Disable" then the remote input will initiate speed estimation method, and if b3-01= "2: SpdsrchI Disable", then the remote input will start the current detection method.

Parameters L2-03 and L2-04 also affect the current detection method of Speed Search operation.

■ b3-01 Speed Search Selection

Setting	Description
0	SpdsrchF Disable
1	SpdsrchF Enable
2	SpdsrchI Disable (<i>factory default</i>)
3	SpdsrchI Enable

Speed Estimation: Method (b3-01= 0 or 1) The speed estimation method will calculate the speed using measurements of residual motor fields. The speed estimation version is bi-directional and will determine both the motor speed and direction. To enable speed estimation Speed Search at start, set b3-01= "1: SpdsrchF Enable".

IMPORTANT

If the speed estimation method of Speed Search is to be used, then Auto-tuning must be performed prior to using Speed Search. If the length of cable between the Drive and motor is ever changed after Auto-tuning then Auto-tuning should be performed again.

IMPORTANT

The speed estimation mode cannot be used when there are multiple motors operated by one Drive or the motor is two or more frames smaller than the standard size motor per the Drive capacity.

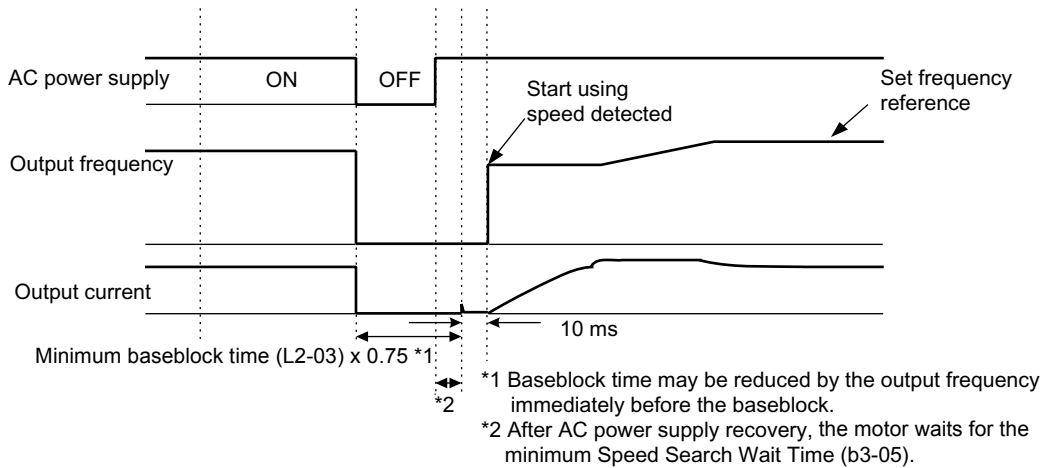
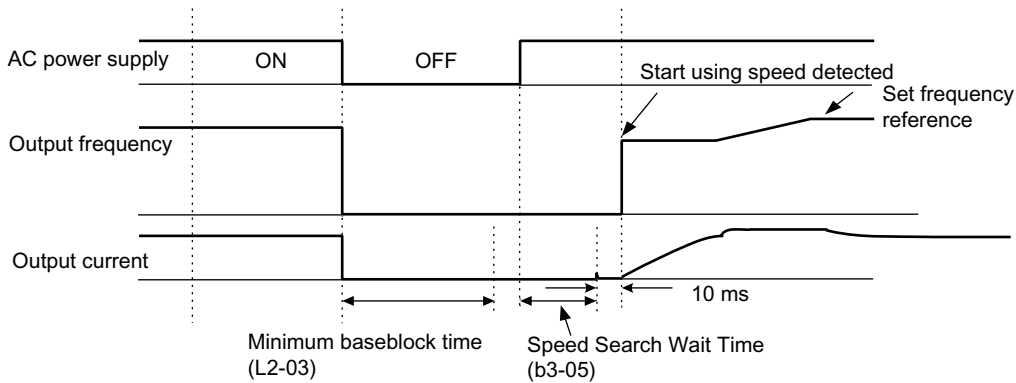


Fig 5.8 Speed Search (Estimated Speed Method) after momentary power loss where the power loss time is less than the minimum baseblock time



Note: If the frequency immediately before the baseblock is low or the power supply off time is long, operation may be the same as the search in case 1.

Fig 5.9 Speed Search (Estimated Speed Method) after momentary power loss where the power loss time exceeds the minimum baseblock time

Current Detection Method (b3-01=2 or 3): The current detection method starts searching from a predetermined frequency while monitoring the Drive output current to determine when the rotor speed and the Drive output speed (frequency) match. The current detection version is not bi-directional. To enable current detection Speed Search at start set b3-01= “3: SpdscrH enable” and program any digital input equal to Speed Search 1 (H1-0x= 61) or Speed Search 2 (H1-0x= 62). Speed Search 1 will start searching from the max. frequency (E1-04) and ramp down to meet the rotor speed. Speed Search 2 will start searching from the set frequency and ramp down to meet the rotor speed.

IMPORTANT | If a UV1 fault occurs when current detection Speed Search is attempted, increase the setting of L2-04.

IMPORTANT | If an OC fault occurs when Speed Search is attempted after power loss recovery, increase the setting of L2-03.

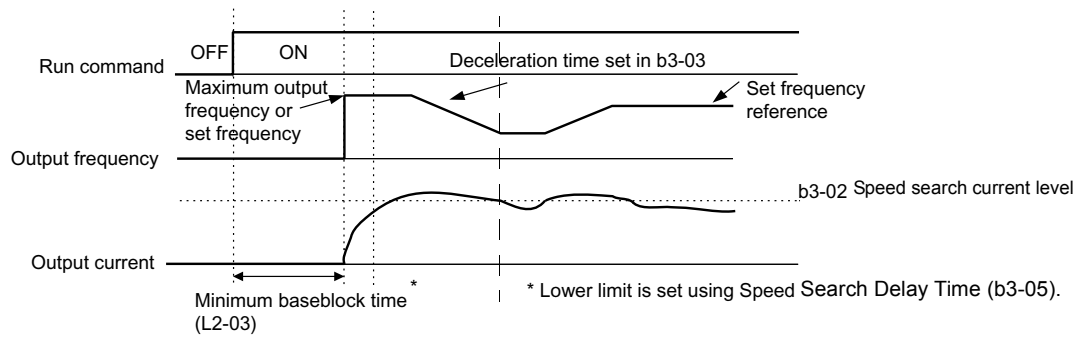


Fig 5.10 Speed Search (Current Detection Method) at Startup

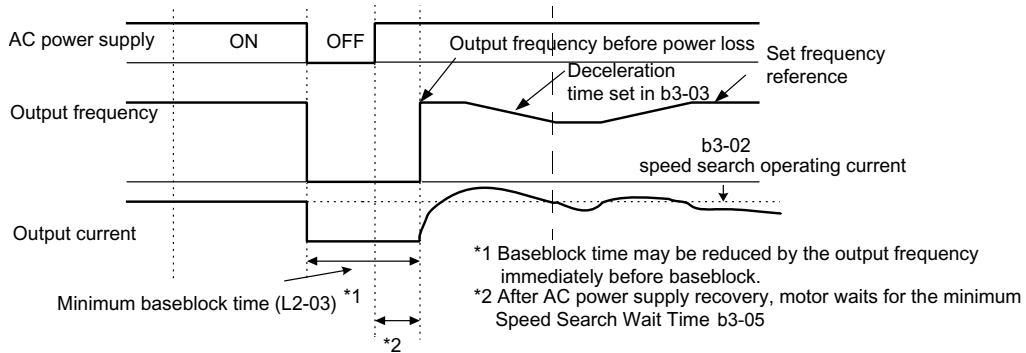


Fig 5.11 Speed Search (Current Detection Method) after momentary power loss where the power loss time is less than the minimum baseblock time

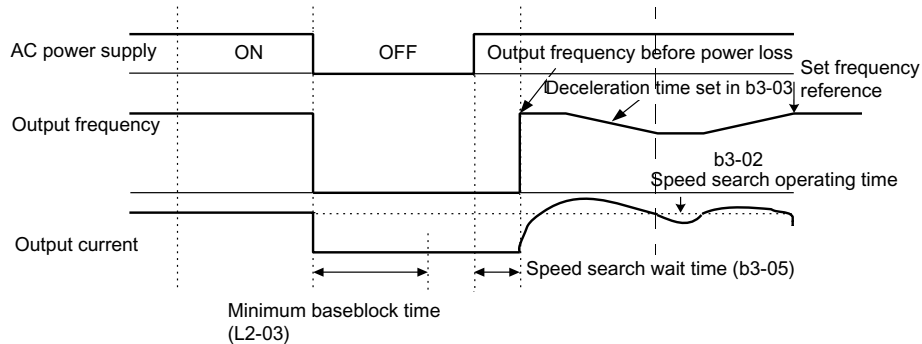


Fig 5.12 Speed Search (Current Detection Method) after momentary power loss where the power loss time exceeds the minimum baseblock time

Setting of b3-01	Automatic Speed Search for all RUN commands	Automatic Speed Search after momentary power loss and baseblock	Speed Search Used for Run with programmed multi-function input
0	No	Yes - Speed Estimation	Yes - Speed Estimation
1	Yes - Speed Estimation	Yes - Speed Estimation	Yes - Speed Estimation
2	No	Yes - Current Detection	Yes - Current Detection
3	Yes - Current Detection	Yes - Current Detection	Yes - Current Detection

■ b3-02 Speed Search Deactivation Current

Setting Range: 0 to 200% of Drive rated output current

Factory Default: 120% of Drive rated output current

When using the current detection method of Speed Search, parameter b3-02 sets the current level that will determine when the search is complete and the rotor and output speeds match. When the output frequency is higher than the actual rotor speed the slip causes the current to be high. As the output frequency is lowered, the closer it comes to the rotor speed, the lower the current draw will be. When the output current drops below the level as set in b3-02 (100% = Drive Rated Current) the output frequency stops decreasing and normal operation resumes.

■ b3-03 Speed Search Deceleration Time

Setting Range: 0.1 to 10.0 Seconds

Factory Default: 2.0 Seconds

Parameter b3-03 sets the deceleration ramp used by the current detection method of Speed Search when searching for the motor's rotor speed. Even if Speed Search 2 is selected, for Speed Search at start, the time entered into b3-03 will be the time to decelerate from maximum frequency (E1-04) to minimum frequency (E1-09).

■ b3-05 Speed Search Delay Time

Setting Range: 0.0 to 20.0 Seconds

Factory Default: 0.2 Seconds

In cases where an output contactor is used between the Drive and the motor, extra waiting time is provided after power returns and before Speed Search is performed. This extra time allows for the contactor to operate. When Speed Search at start is used, b3-05 will serve as the lower limit of the Minimum Baseblock Time (L2-03).

■ b3-14 Bi-Directional Speed Search Selection

Setting	Description
0	Disabled
1	Enabled (<i>factory default</i>)

The b3-14 parameter can be used to turn off the bi-directional capabilities of the Speed Estimation form of Speed Search. By turning off the bi-directional capability, the speed search will only try to match the speed in the last known direction.

◆ b5 PI Function

The capability to accept an analog signal as feedback for a PI (Proportional + Integral) control function is built into the Drive.

Speed Command / PI Setpoint

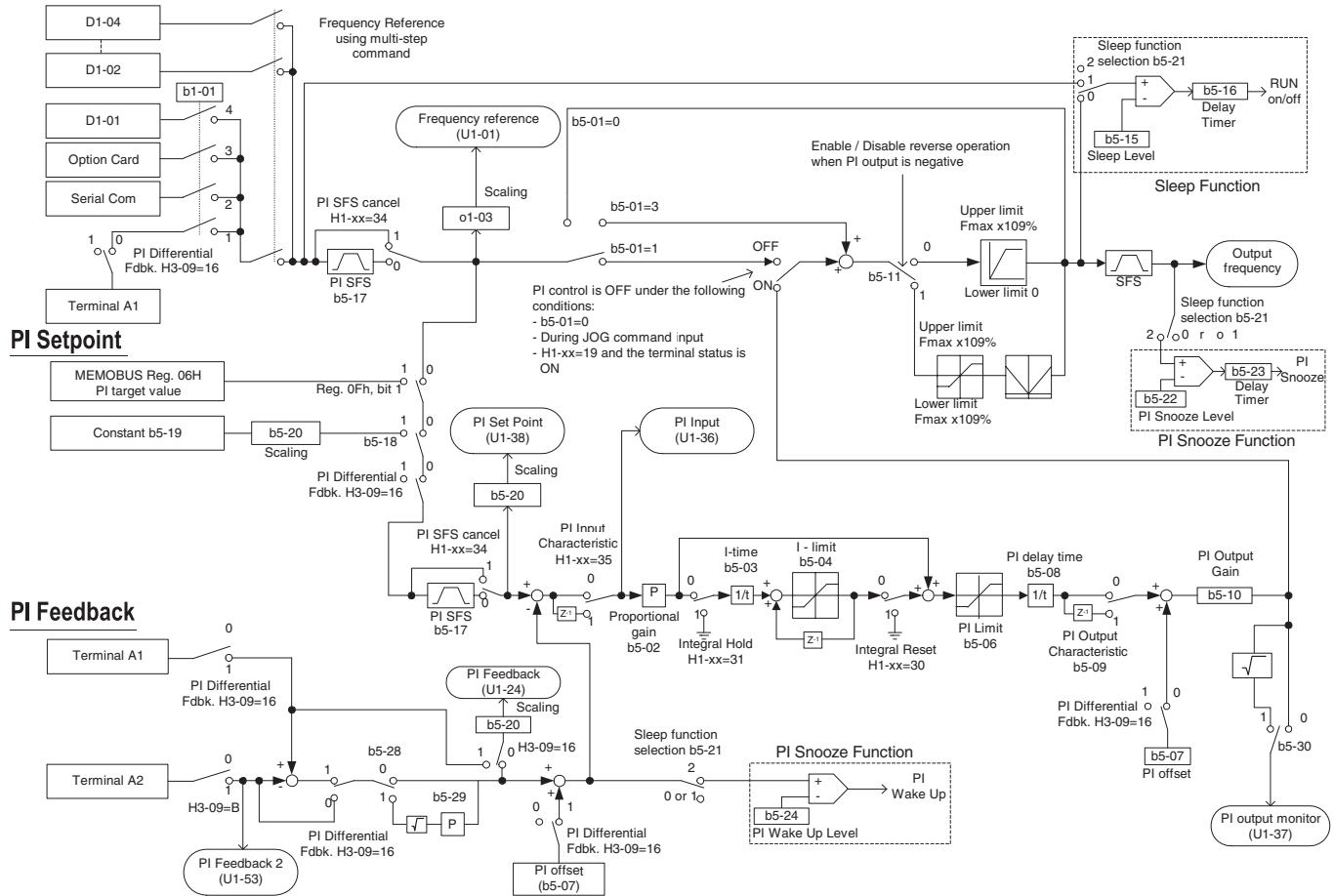


Fig 5.13 PI Block Diagram

Bypass units are shipped with the parameters in Table 5.1 and Table 5.2 pre-established for the configuration ordered.

To add PI control to a Bypass unit; observe the control options that are included in the unit by review of the model number on the nameplate (inside of door and external lower right side) as well as the option codes and model number description in Chapter 1. Then revise the parameter settings indicated in Table 5.3 and 5.4 for a line of data, in Table 5.4, with the same (or similar) combination of options and sources for the speed and run commands. This will add the logic required for PI control to that required for Bypass control.

Table 5.3 includes parameters that are the same regardless of control options specified while Table 5.4 provides detail on the option dependent parameters.

Table 5.3 PI Control Parameter Settings in E7N Bypass Units

PARAMETER NUMBER	SETTING		UNITS	DESCRIPTION	OPTIONAL LCD KEYPAD DISPLAY For Bypass Setting
	Bypass & PI Control	Bypass Default			
b1-01	0	SEE TABLE 5.2	N/A	Frequency Reference Selection – Selects the speed command input source	Reference Source / Terminals
b5-01	1	0	N/A	PI Mode Selection – Enables PI mode	PI Mode Setting / PI Mode
H1-03	SEE TABLE 5.4	SEE TABLE 5.2	N/A	Drive Terminal S5 Function Selection – Set for various operating modes	Terminal S5 Sel / Com/Inv Sel 2, for example
H1-04	SEE TABLE 5.4	4	N/A	Drive Terminal S6 Function Selection – Set for PI Disable, turn off PI controller	Terminal S6 Sel / PI Disable
H3-08	SEE TABLE 5.4	SEE TABLE 5.2	N/A	Drive Terminal A2 Signal Level – Signal selection, 0 to 10 VDC (Drive control board switch S1-2 off) or 4 to 20 mA (Drive control board switch S1-2 on)	Term A2 Signal / 0-10 VDC
H3-09	B	SEE TABLE 5.2	N/A	Drive Terminal A2 Function Selection – Selects how this input will be used by the Drive	Terminal A2 Sel / PI Feedback
H5-02	SEE TABLE 5.4	3	N/A	Serial Communication Speed Selection, Baud Rate	Serial Baud Rate/ 9600 Baud
H5-07	SEE TABLE 5.4	1	N/A	Serial Communication Request to Send Control	RTS Control Sel/enabled
H5-08	SEE TABLE 5.4	0	N/A	Serial Communication Protocol Selection	Protocol Select/N2 (Metasys)

Table 5.4 Option Dependent Bypass Parameter Settings with PI Control

Options Specified	Parameters Effected by Options Specified and Settings							PCB DIP Switch S1		PCB DIP Switch S4	HAND Speed Command Source	Drive Terminal A2 Signal Level via TB3-3 or TB5-9			AUTO					
	b5-01	H1-03 (S5)	H1-04 (S6)	H3-08	H5-2	H5-7	H5-8	1	2	2	Keypad d1-01	4-20 mA	0-10 VDC	3-15 PSIG	Run/Stop		Speed or Feedback		Setpoint	
															Terminal TB1-2	Serial #	TB3-3 (A2)	Serial #	Keypad	Serial #
	1	19	@	2	@	@	@	@	On	Off	X	X			X		X		X	
PI Control	1	19	@	2	@	@	@	@	On	Off	X	X			X		X		X	
PI Control	1	19	@	0	@	@	@	@	Off	Off	X		X		X		X		X	
J & PI	1	6C	19~	0	3	1	1	Off	Off	Off	X		X		X		X			X
U & PI	1	6C	19~	0	2	1	2	Off	Off	Off	X		X		X		X			X
V & PI	1	6C	19~	0	3	1	0	Off	Off	Off	X		X		X		X			X
L & PI	1	6C	19~	0	3	0	0	On	Off	Off	X		X		X		X			X

Definitions:

L = LonWorks Option Card

J = Native Protocol, Metasys N2

P = Pneumatic Interface (3 to 15 PSIG)

U = Native Protocol, APOGEE FLN

V = Native Protocol, Modbus

* = The Drive factory default

= The H/O/A selector keys must have AUTO selected to allow serial com. to control the Drive

@ = Don't care

~ = Jumper required TB5-5 to TB1-12 and TB1-13 to TB5-2

Parameter Reference:

b5-01: PI Control Selection
0: Disable (default)
1: Enable

H1-03: Drive Terminal S5 Function Selection
3: Multi-step Ref 1 (default)
6C: Com/Inv Sel 2

H1-04: Drive Terminal S6 Function Selection
4: Multi-step Ref 2 (default)
19: PI Disable

H3-08: Drive Terminal A2 Signal Level
0: 0 - 10 VDC
2: 4 - 20 mA (default)

H5-02: Communication Speed Selection
3: 9600 Baud (default)
2: 4800 Baud

H5-07: RTS Control Selection
0: Disabled (RTS always on)
1: Enabled (RTS on only when sending) (default)

H5-08: Communication Protocol Selection
0: Modbus (default)
1: N2 (Metasys)
2: FLN (APOGEE)

d1-01: Frequency Reference 1

DIP Switch Reference:

S1-1: Terminating resistor, always on for option L, otherwise on only if last device.

S1-2: Drive Terminal A2 signal level
On = 4-20 mA Off = 0-10 VDC

S4-2: Drive input terminal S4 operation
On = Input S4 operates inversely with input S5
Off = Inputs S4 and S5 operate independently

Notes:

Hand mode run/stop for Drive and Bypass is always via the front control panel HAND selector key.

Auto mode run/stop for Drive and Bypass without serial com. is from terminal TB1-2.

Auto mode run/stop with serial com. is from serial com. for both Drive and Bypass modes.

DIP switch configurable terminal TB3-3 is connected to Drive terminal A2 (the default). See Chapter 2 Table 2.8 for the alternate TB3-3 configuration.

A Jumper is required from TB5-2 to TB5-7. This is essential for serial com. applications and benign for all other applications.

■ Optional LCD Digital Operator and Control Panel Display for PI Control

In Table 5.5, the o1-0X parameter listed setup the Drive display to indicate 3 variables for PI control as in Figure 5.14 when the HAND/OFF/AUTO selector is in **AUTO**.

Table 5.5 parameter for optional LCD display setup for PI control.

Table 5.5 Parameters for Optional LCD Display Setup for PI Control					
PARAMETER NUMBER	SETTING		UNITS	DESCRIPTION	KEYPAD DISPLAY For Bypass Setting
	For Bypass	Drive Default			
o1-03	1	0	%	Digital Operator Display Selection – Set for percent	Display Scaling / (0-39999)
o1-06	1	0	N/A	User Monitor Selection Mode – Enables a custom display for PI Control monitoring	Monitor Mode Sel / 1: 3 Non Selectable
o1-08	24	3	N/A	Third Line User Monitor Selection – Display PI Feedback	3rd Monitor Sel / 24: PI Feedback

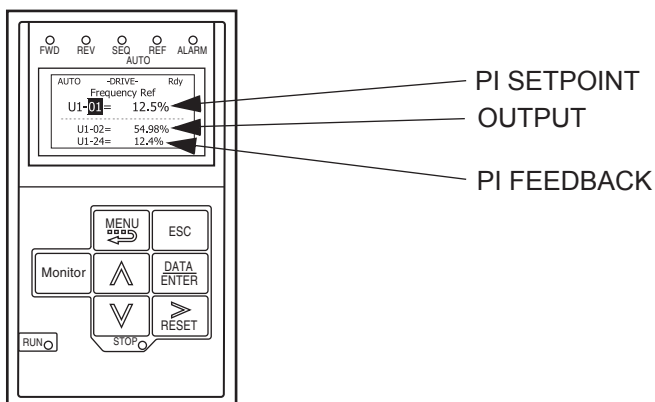


Fig 5.14 Drive Display for PI Control, AUTO Mode

When the HAND/OFF/AUTO selector is transferred to the **HAND** position, the display will automatically change to indicate the speed command, as in Figure 5.15.

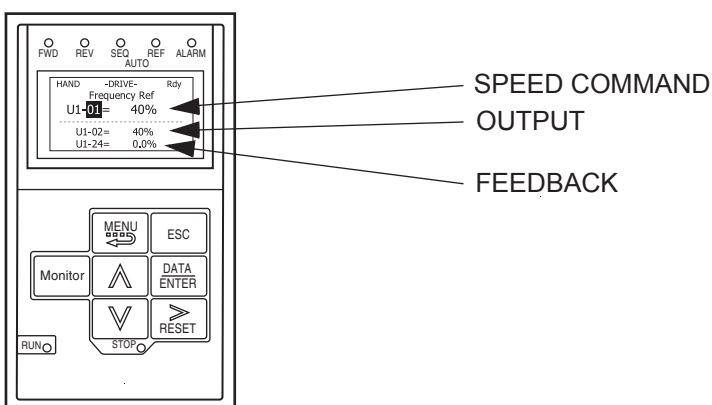


Fig 5.15 Drive Display for PI Control, HAND Mode

■ Discussion of Table 5.4 Options Dependent, PI Control Bypass Parameter Settings:

Typical Drive Parameter Settings for PI Control with Various Combinations of Bypass and Control Options

Notes:

For project specific PI control tuning see the PI Control (b5-XX) parameters in this chapter. Tables 5.3 and 5.4 provide the basic configuration for PI Control from a Drive in an E7N Bypass unit. The b5-XX parameters are defaulted to a good starting point for most HVAC applications. Final adjustment to some of the b5-XX parameters for the project at hand may be required.

Hand mode run/stop for Drive and Bypass is always via the front control panel HAND/OFF/AUTO selector.

Options - None; Bypass with PI Control and no options:

Hand mode speed command from Keypad/Operator.

Auto mode PI Setpoint from Keypad/Operator.

Auto mode PI Feedback input signal, 4-20 mA applied to Terminal TB3-3 (Drive terminal A2).

Auto mode run/stop contact closure for Drive and Bypass applied to terminals TB1-2 and TB1-9.

Significant Parameter Setting	Drive Operational Result
b1-01 = 0: Operator	Speed command (Hand) and PI setpoint (Auto) source = Keypad/Operator (U1-01)
b5-01 = 1: Enable	Enable PI mode of operation
H1-03 = 19: PI Disable	A Drive terminal S5 input contact closure disables PI mode. This input contact is closed when H/O/A = Hand.
H3-08 = 2: 4-20 mA (default)	Drive Terminal A2 is programmed for 4-20 mA (Note – Control PCB DIP switch S1-2 must also be ON)
H3-09 = B: PI Feedback	Drive Terminal A2 function is set to provide PI feedback for closed loop control

Options - None; Bypass with PI Control and no options:

Hand mode speed command from Keypad/Operator.

Auto mode PI Setpoint from Keypad/Operator.

Auto mode PI Feedback input signal, 0-10 VDC applied to Terminal TB3-3 (Drive terminal A2).

Auto mode run/stop contact closure for Drive and Bypass applied to terminals TB1-2 and TB1-9.

Significant Parameter Setting	Drive Operational Result
b1-01 = 0: Operator	Speed command (Hand) and PI setpoint (Auto) source = Keypad/Operator (U1-01)
b5-01 = 1: Enable	Enable PI mode of operation
H1-03 = 19: PI Disable	A Drive terminal S5 input contact closure disables PI mode. This input contact is closed when H/O/A = Hand.
H3-08 = 0: 0-10 VDC	Drive Terminal A2 is programmed for 0-10 VDC (Note – Control PCB DIP switch S1-2 must also be OFF)
H3-09 = B: PI Feedback	Drive Terminal A2 function is set to provide PI feedback for closed loop control

Options - J, U, V or L "Serial Communications"; Bypass with PI Control and serial communication for run/stop control and Setpoint input:

Hand mode speed command from Keypad/Operator.

Auto mode PI Setpoint input signal from serial communication.

Auto mode run/stop command for Drive from serial communication.

Auto mode run/stop command for Bypass from serial communication.

Significant Parameter Setting	Drive Operational Result
b1-01 = 0: Operator	Speed command source = Keypad/Operator (U1-01)
b5-01 = 1: Enable	Enable PI mode of operation
H1-03 = 6C: Com/Inv Sel 2	A Drive terminal S5 input contact opening (H/O/A = Auto) selects serial com for both the run/stop command and speed command. A Drive terminal S5 input contact closure (H/O/A = Hand) allows b1-01 to select Keypad/Operator as the speed command source. This input contact is closed when H/O/A = Hand.
H1-04 = 19: Disable Jumpers required: TB5-5 to TB1-12 and TB1-13 to TB5-2	A Drive terminal S6 input contact closure disables PI mode.
H3-08 = 0: 0-10 VDC	Drive Terminal A2 is programmed for 0-10 VDC (Note - Control PCB DIP switch S1-2 must also be OFF)
H3-09 = B: PI Feedback	Drive Terminal A2 function is set to provide PI feedback for closed loop control
H5-02 = Baud Rate	Each protocol requires the baud rate indicated in Table 5.2
H5-07 = RTS Control	Each protocol requires the Request to Send control indicated in Table 5.2
H5-08 = Protocol Selection	Drive communicates via protocol selected. 0: Modbus, 1: N2 or 2: FLN

The analog feedback to the Drive for the PI control is via the Drive A2 terminal. The Drive must be programmed (H3-09= “B: PI Feedback”) to use terminal A2 as feedback for the PI functionality of the Drive.

The PI setpoint can be configured to come from one of many different inputs or parameters. The table below describes the options for originating the PI setpoint.

The PI Setpoint will be read from:	If these conditions are true		
	Status of b5-18	Status of Modbus Register 0Fh bit 1	Status of b1-01
Parameter b5-19	= 1	N/A	N/A
Modbus Register 06H	= 0	ON	N/A
D1-01	= 0	OFF	= 0
Terminal A1	= 0	OFF	= 1
Serial Com.	= 0	OFF	= 2
Option PCB	= 0	OFF	= 3

In some situations there are two feedback inputs. Air Handling Unit return fan speed control in a “volume matching” strategy for building pressure control is an example. The Drive can be programmed to maintain a set differential between two analog signals. If input A2 is configured as a “PI Differential Mode” (H3-09= “16: PI Differential”), then the Drive will maintain a set difference between the measurements read on inputs TB3-3 (configured for Drive Terminal A1) and TB5-9 (Drive Terminal A2). This differential setpoint is programmed by parameter (b5-07).

■ b5-01 PI Mode

Setting	Description
0	Disabled (<i>factory default</i>)
1	Enabled
3	Fref+PI

The Drive can be used as a stand-alone PI controller. If PI functionality is selected by parameter b5-01, the Drive will adjust its output to cause the feedback from a transmitter to match the PI setpoint (b5-19). The setting of b5-01 will determine whether PI functionality is disabled (b5-01= “0: Disabled”), enabled (b5-01= “1: Enabled”), or enable with the output of the PI function used to trim a Speed Command (b5-01= “3: Fref+PI”).

■ b5-02 Proportional Gain Setting

Setting Range: 0.00 to 25.00

Factory Default: 2.00

The proportional gain will apply a straight multiplier to the calculated difference (error) between the PI Setpoint and the measured transmitter feedback at terminal A2. A large value will tend to reduce the error but may cause instability (oscillations) if too high. A small value may allow to much offset between the setpoint and feedback (See Figure 5.16 on following page).

■ b5-03 Integral Time Setting

Setting Range: 0.0 to 360.0 Seconds

Factory Default: 5.0 Seconds

The Integral factor of PI functionality is a time-based gain that can be used to eliminate the error (difference between the setpoint and feedback at steady state). The smaller the Integral Time set into b5-03, the more aggressive the Integral factor will be. To turn off the Integral Time, set b5-03= 0.00.

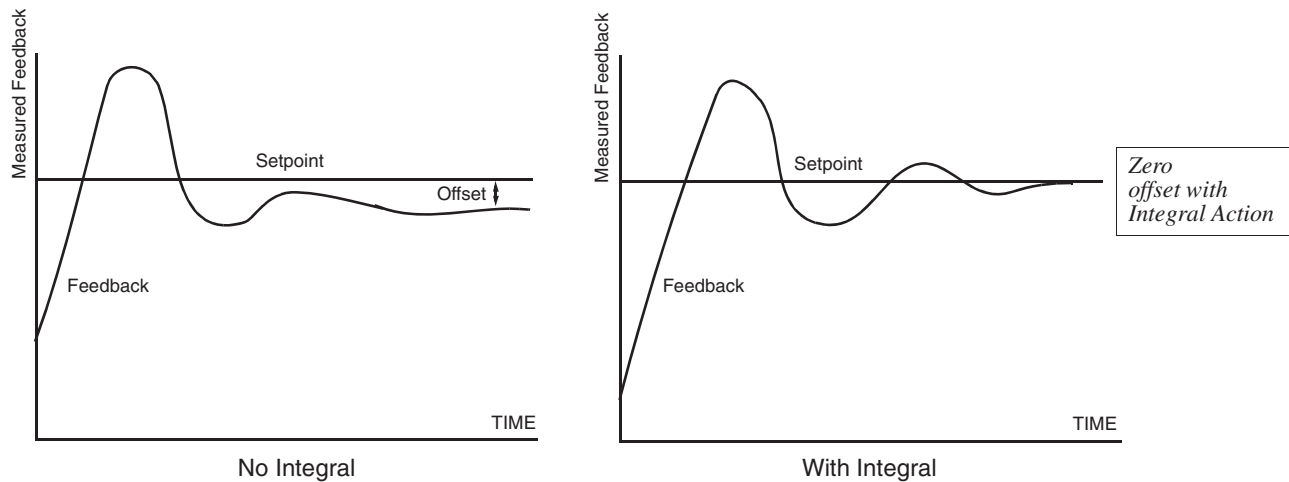


Fig 5.16 PID Feedback Response Characteristics

■ b5-04 Integral Limit Setting

Setting Range: 0.0 to 100.0%

Factory Default: 100.0%

On some applications, especially those with rapidly varying loads, the output of the PI function may have large oscillations. To suppress these oscillations, a limit can be applied to the integral factor by programming b5-04.

■ b5-06 PI Output Limit

Setting Range: 0.0 to 100.0%

Factory Default: 100.0%

Places a cap on the output of the PI function. Limiting the PI function may help to prevent large overshoots in the Drive's response to error (the difference between the setpoint and the feedback).

■ b5-07 PI Offset Adjustment

Setting Range: -100.0% to +100.0%

Factory Default: 0.0%

The PI Offset Adjustment parameter has two different uses. Parameter b5-07 serves different functions depending on whether it is used on a standard PI loop or a Differential PI loop.

Parameter b5-07 causes an offset to be applied to the output of the PI function in a non-differential PI loop. Every time the PI output is updated, the offset (b5-07) is summed with the PI output. This can be used to artificially kick-start a slow starting PI loop.

If the Drive is configured for Differential PI Regulation (H3-09= "16: PI Differential"), then this parameter is the target setpoint for the differential to be maintained between the signal measured on analog input A1 and the signal measured on analog input A2.

■ b5-08 PI Primary Delay Time Constant

Setting Range: 0.00 to 10.00 Seconds

Factory Default: 0.00 Seconds

Acts as a time based filter that lowers the responsiveness of the PI function, but also makes the function more stable when the setpoint varies rapidly or when the feedback is noisy.

■ b5-09 PI Output Level Selection

Setting	Description
0	Normal Output (direct acting) (<i>factory default</i>)
1	Reverse Output (reverse acting)

Normally, the output of the PI function causes an increase in motor speed whenever the measured feedback is below the setpoint. This is referred to as direct acting response. However, if b5-09= “1: Reverse Output”, the output of the PI function causes the motor to slow down when the feedback is below the setpoint. This is referred to as reverse acting response.

■ b5-10 PI Output Gain Setting

Setting Range: 0.0 to 25.0

Factory Default: 1.0

Applies a multiplier to the output of the PI function. Using the gain can be helpful when the PI function is used to trim the Speed Command. Increasing b5-10 causes the PI function to have a greater regulating affect on the speed command.

■ b5-11 PI Reverse Selection

Setting	Description
0	0 Limit (<i>factory default</i>)
1	Reverse

Parameter b5-11 determines whether reverse operation is allowed while using PI control (b5-01≠0). The factory default setting will not allow the Drive to run in reverse. This parameter does not need to be changed from factory default for a majority of HVAC applications. (Refer also to b5-09).

■ b5-12 PI Feedback Reference Missing Detection Selection

Setting	Description
0	Disabled (<i>factory default</i>)
1	Alarm
2	Fault

Loss of feedback can cause problems to a PI application. The Drive can be programmed to turn on a digital output whenever a loss of feedback occurs. Feedback Loss Detection is turned on by b5-12. When b5-12= “1: Alarm”, the Drive acknowledges the loss of feedback without stopping or turning on the fault output (MA-MB). If b5-12= “2: Fault”, the Drive coasts to a stop and turns on the fault output if the feedback is determined to be lost.

■ b5-13 PI Feedback Loss Detection Level

Setting Range: 0 to 100%
 Factory Default: 0%

■ b5-14 PI Feedback Loss Detection Time

Setting Range: 0.0 to 25.0 Seconds
 Factory Default: 1.0 Seconds

The Drive interprets feedback loss whenever the feedback signal drops below the value of b5-13 and stays below that level for at least the time set into b5-14. See Figure 5.17 below for timing details.

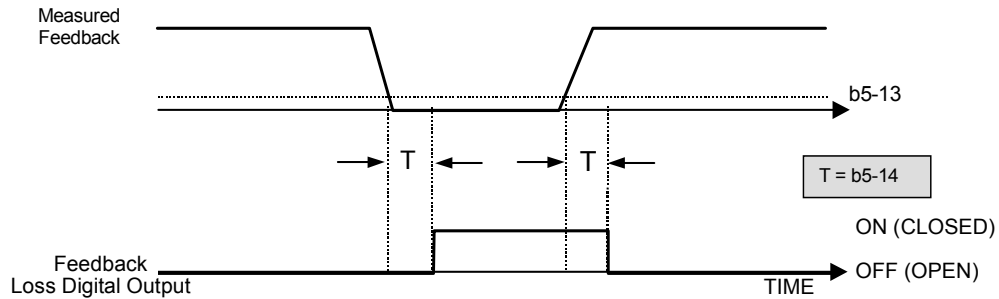


Fig 5.17 Loss of PI Feedback Feature

■ b5-15 Sleep Function Start Level

Setting Range: 0.0 to 200.0 Hz
 Factory Default: 0.0 Hz

■ b5-16 Sleep Delay Time

Setting Range: 0.0 to 25.5 Seconds
 Factory Default: 0.0 Seconds

The Sleep Function can be programmed to prevent running the Drive when the PI loop output or the speed command is so low that no usable work is being done and/or equipment damage may result. The Sleep Function can be Enabled by entering a value in parameter b5-15. If the Drive's output drops below the level set by the Sleep Function Start Level (b5-15) and remains there at least as long as the delay time determined by the Sleep Delay Time (b5-16), then the Drive's internal Run command drops out and the Drive output ceases. Though the Drive's output has ceased, all other Drive functions continue. Once the Drive's theoretical output returns to a level above the Sleep Function Start Level (b5-15) and remains above that level for at least the Sleep Delay Time (b5-16), the internal Run command returns and the Drive output begins again. The b5-16 Delay Time prevents oscillation about the sleep level. **Note:** The sleep function can be used even if the P1 function is disabled (b5-01 = "0: Disabled").

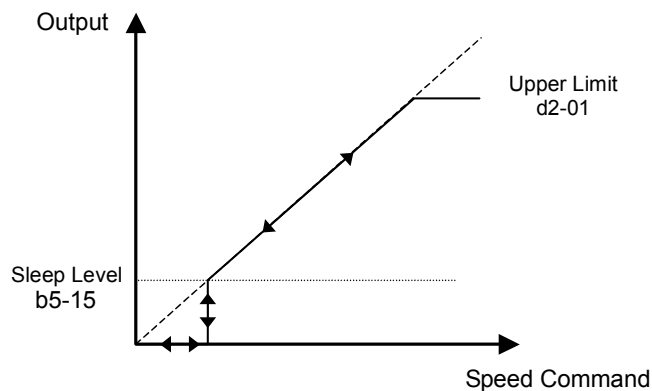


Fig 5.18 Sleep Function Response

■ b5-17 PI Accel/Decel Time

Setting Range: 0.0 to 25.5 Seconds

Factory Default: 0.0 Seconds

This is a soft start function that is applied to the PI setpoint analog input. Instead of having nearly instantaneous changes in signal levels, there is a programmed ramp applied to level changes. When changing setpoints the error can be limited by gradually ramping the setpoint through the use of parameter b5-17.

■ b5-18 PI Setpoint Selection

Setting	Description
0	Disabled (<i>factory default</i>)
1	Enabled

In order to use parameter b5-19 as the PI Setpoint, set parameter b5-18= “1: Enabled”. If b5-18= “0: Disabled” the PI Setpoint will either be:

- Modbus Register 06H (If Register 0FH bit 1 is high)
- The active speed command (i.e. Determined by the setting of b1-01). See Table 5.7 “Setpoint Options”

■ b5-19 PI Setpoint Value

Setting Range: 0.00 to 100.00%

Factory Default: 0.00%

Parameter b5-19 is for a PI Setpoint value. When b5-18= “1: Enabled”, the value of b5-19 will take precedent over any other PI setpoint unless the Drive is set up for Differential Feedback, in which case, b5-18 and b5-19 have no affect on the PI function.

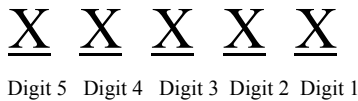
■ b5-20 PI Setpoint Display Scaling

Setting	Description
0	Hz (<i>factory default</i>)
1	%
3	RPM (Synchronous)
3	Engineering Units

The PI Setpoint Display Scaling value (b5-20) is a scaling factor that is applied to the monitor display for both the PI Setpoint (U1-38) and the PI Feedback (U1-24).

If b5-20 is:	U1-24 and U1-38 Display Increments.
0	0.01 Hz
1	0.00%
2 through 39 (enter the # of motor poles)	0RPM
40 through 39999	Engineering Units

If the monitors seem more natural in terms of percentage, set b5-20= 1. If the monitors are easier to work with when displaying the equivalent synchronous RPM, set b5-20= [the number of motor poles].
 If another engineered unit, such a fpm or cfm, is desired, set b5-20= xxxxx where



Digits 1 through 4 set the desired number to be displayed at 100% speed.
 Digit 5 determines the number of decimal places

- If Digit 5 = 0 number format is XXXX
- If Digit 5 = 1 number format is XXX.X
- If Digit 5 = 2 number format is XX.XX
- If Digit 5 = 3 number format is X.XXX

For example:

If b5-20= 10425 then at 100% output the digital operator would display 42.5 for monitor U1-38 or U1-24.

■ b5-21 Sleep Source

Setting	Description
0	SFS Input (Output of PI block)
1	PI Setpoint (<i>factory default</i>)
2	Snooze

Parameter b5-21 selects the sleep function characteristic action:

When b5-21= “0: SFS Input” the sleep function start level (b5-15) is compared to the Drive’s output (Speed Command after PI block). This is the setting that should be used for open loop or closed loop control.

It is also possible to have the sleep function start level (b5-15) compared to the Drive input or setpoint. For this special application set b5-21= “1: PI Setpoint”.

When b5-21= “2: Snooze” a variation of the sleep function called “Snooze” is enabled, see parameter b5-22 to b5-27.

IMPORTANT | The sleep function can be used even if the PI function is disabled (b5-01= "0: Disabled").

■ b5-22 PI Snooze Level

Setting Range: 0 to 100%

Factory Default: 0%

■ b5-23 PI Snooze Delay Time

Setting Range: 0 to 3600 Seconds

Factory Default: 0 Seconds

■ b5-24 PI Snooze Deactivation Level

Setting Range: 0 to 100%

Factory Default: 0%

The Snooze Function is a variation on the Sleep Function. The Snooze function must be selected by setting parameter b5-21= “2: Snooze”. Once the Snooze Function is selected, the Drive monitors the output frequency. If the output frequency drops below the PI Snooze Level (b5-22), and stays below that level for at least the PI Snooze Delay Time (b5-23), the Drive output shuts off. This is different from the Sleep Function because it is the feedback that must drop below the PI Snooze Deactivation Level (b5-24) before normal Drive output will begin again. See Figure 5.19 on the following page.

■ b5-25 PI Setpoint Boost Setting

Setting Range: 0 to 100%

Factory Default: 0%

Just before the Snooze Function is activated, the PI Setpoint can be temporarily increased to create an overshoot of the intended PI Setpoint. The temporary boost is determined by the PI Setpoint Boost Setting (b5-25). Once the temporary boost level is reached (or the PI Maximum Boost Time (b5-26) is exceeded), the Drive output shuts off (snoozes) and the intended PI Setpoint returns. From this point on, the Snooze Function operates normally and the Drive output returns when the feedback level drops below b5-24. See Figure 5.19 on the following page.

■ b5-26 PI Maximum Boost Time

Setting Range: 0 to 3600 Seconds

Factory Default: 0 Seconds

Associated with the Snooze Function. In cases where the temporary PI Setpoint (intended PI setpoint + PI Setpoint Boost) cannot be reached within the PI Maximum Boost Time (b5-26), the Setpoint Boost is interrupted and the Drive output is turned off.

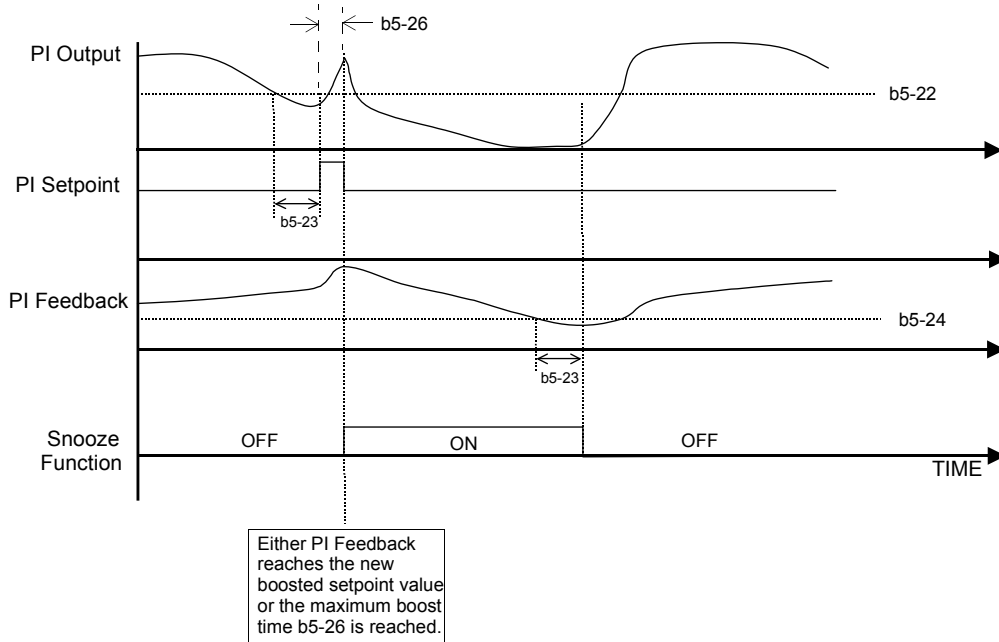


Fig 5.19 Snooze Function Operation

■ b5-27 PI Snooze Feedback Level

Setting Range: 0 to 100%

Factory Default: 60%

This is a second method of initiating the Snooze Function. If the PI feedback level exceeds the PI Snooze Feedback Level (b5-27), then the Drive output shuts off. Once the PI feedback drops below the PI Snooze Deactivation Level (b5-24) then normal Drive and PI operation return.

■ b5-28 PI Feedback Square Root Function Activation

Setting	Description
0	Disabled (<i>factory default</i>)
1	Enabled

If b5-28= "1: Enabled", the square root of the PI feedback is compared to the PI Setpoint in order to determine appropriate Drive output to properly regulate the system. This is helpful in cases where the measured feedback is pressure but the PI loop needs to regulate flow.

■ b5-29 PI Square Root Gain

Setting Range: 0.00 to 2.00

Factory Default: 1.00

A multiplier applied to the square root of the feedback.

■ b5-30 PI Output Square Root Monitor Selection

Setting	Description
0	Disabled (<i>factory default</i>)
1	Enabled

If the PI Function is regulating the flow of a closed loop system by using a pressure feedback, it may be convenient to view the square root of the PI output using monitor U1-37.

◆ b8 Energy Savings

The energy savings function improves overall system operating efficiency by operating the motor at its highest efficiency. This is accomplished by continuously monitoring the motor load and adjusting the motor terminal voltage so that the motor always operates near its rated slip frequency. A motor is most efficient when operating near rated slip conditions.

■ b8-01 Energy Savings Selection

Setting	Description
0	Disabled (<i>factory default</i>)
1	Enabled

When the Energy Savings function is enabled (b8-01= “1: Enabled”), the Drive reduces the output voltage to the motor below the voltage value specified by the programmed V/f pattern whenever the motor load is light. Since torque is reduced during this voltage reduction, the voltage has to return to normal levels when the load returns. The energy savings is realized through improved motor efficiency. The reduced output voltage causes increased rotor slipping even with a light load. A motor is most efficient when operating fully loaded (i.e. operating at rated slip).

■ b8-04 Energy Saving Coefficient Value

Setting Range: 0.0 to 655.0

Factory Default: Model Dependent

Parameter b8-04 is used in maximizing motor efficiency. The factory setting will be Drive capacity dependent but can be adjusted in small amounts while viewing the kW monitor (U1-08) and running the Drive to minimize the output kW. A larger value typically results in less voltage to the motor and less energy consumption. Too large a value will cause the motor to stall.

◆ C1 Accel/Decel

■ C1-01 Acceleration Time 1

C1-02 Deceleration Time 1

C1-03 Acceleration Time 2

C1-04 Deceleration Time 2

Setting Range: 0.0 to 6000.0 Seconds

Factory Default: 30.0 Seconds

C1-01 (Acceleration Time 1) sets the time to accelerate from zero to maximum speed (E1-04). C1-02 (Deceleration Time 1) sets the time to decelerate from maximum speed to zero. C1-01 and C1-02 are the factory default active accel/decel “pair”. Another accel/decel pair (C1-03 and C1-04) exists that can be activated by a multi-function digital input (H1-0x= 7), or specified by a switch over frequency as programmed in parameter C1-11.

Note: In fan applications employing duct high pressure safety limit switches, it may be necessary to further adjust the deceleration time to avoid high pressure limit trips due to damper closure as the system is shut down (an alternate solution in this situation is to set parameter **b1-03** to “Coast to Stop”).

■ C1-09 Fast Stop Time

Setting Range: 0.0 to 6000.0 Seconds

Factory Default: 10.0 Seconds

A special deceleration parameter is available for use with emergency or fault operations. Parameter C1-09 will set a special deceleration that can be operated by closing a digital input configured as H1-0x= 15 or H1-0x= 17. A digital input configured as H1-0x= 15 will look for a switch closure before initiating the Fast Stop operation. A digital input configured as H1-0x= 17 will look for the switch opening before initiating the Fast Stop operation.

Unlike a standard deceleration time, once the Fast Stop operation is initiated even momentarily, the Drive cannot be re-operated until the deceleration is complete, the Fast Stop input is cleared, and the Run command is cycled.

◆ d1 Preset References

- d1-01 Frequency Reference 1
- d1-02 Frequency Reference 2
- d1-03 Frequency Reference 3
- d1-04 Frequency Reference 4

Setting Range: 0.00 to E1-04 Value
 Factory Default: d1-01 = 10.00 Hz
 d1-02 = 6.00 Hz
 d1-03 = 0.00 Hz
 d1-04 = 0.00 Hz

d1-01 and d1-02 are special parameter settings required by the Bypass logic circuit. See Table 5.1.

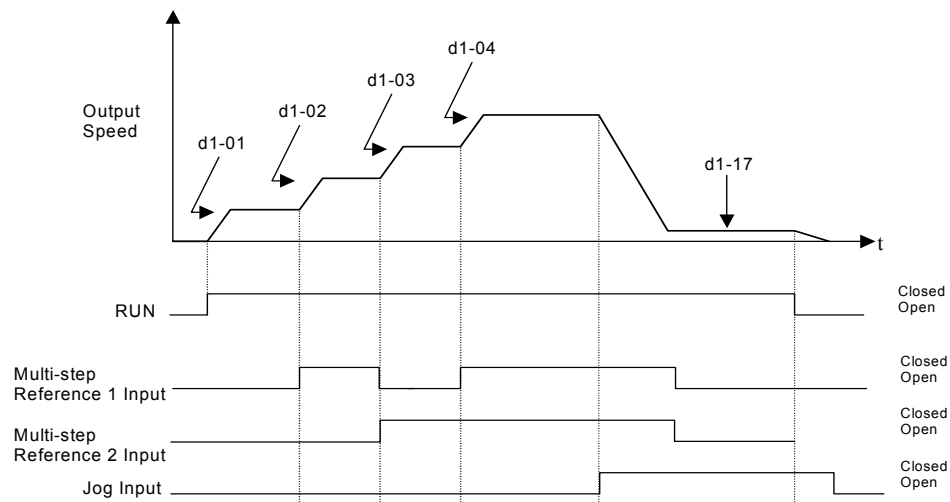


Fig 5.20 Preset Reference Timing Diagram example

■ d1-17 Jog Frequency Reference

Setting Range: 0.00 to E1-04 Value
 Factory Default: 6.00 Hz

The Drive can be programmed to utilize digital inputs to change between four presets speeds and a jog speed. It is a two-step process to set the Drive up for preset speeds. First, d1-01 through d1-04 and d1-17 must be programmed with the desired preset speeds and the desired jog speed, respectively. Next, up to three of the Drive's digital inputs (Terminals S3 through S7) need to be programmed (via parameters H1-01 to H1-05) and wired (to normally open contacts) as Multi-step Speed Reference 1, Multi-step Speed Reference 2, and Jog Frequency.

Table 5.8 Preset Speed Truth Table

Preset Speed	Terminal programmed as Multi-step Reference 1	Terminal programmed as Multi-step Reference 2	Terminal programmed as Jog Reference	Details
1	OFF	OFF	OFF	Frequency Reference 1 (d1-01) or analog input A1† (Determined by b1-01, see page 5-12)
2	ON	OFF	OFF	Frequency Reference 2 (d1-02) or analog input A2† (Determined by H3-09, see page 5-57)
3	OFF	ON	OFF	Frequency Reference 3 (d1-03)
4	ON	ON	OFF	Frequency Reference 4 (d1-04)
5	-	-	ON*	Jog Frequency (d1-17)

* The Jog Frequency input is given priority over the multi-step speeds.

† Shown for H3-13 = "0: Main Fref TA1", A1 and A2 are reversed if H3-13 = "1: Main Fref TA2"

As shown in Table 5.8, it is possible to use analog inputs in place of Frequency Reference 1 and Frequency Reference 2.

- If b1-01= “1: Terminals” then the analog input A1 will be used instead of Frequency Reference 1 for the first preset speed. If b1-01= “0: Operator”, then Frequency Reference 1 will be used.
- If H3-09= “2: Aux Reference” then the analog input A2 will be used instead of Frequency Reference 2 for the second preset speed. If H3-09≠2 then Frequency Reference 2 will be used.

IMPORTANT

The programming of d1-01 through d1-04 and d1-17 will be affected by the setting of o1-03. The programming of these parameters will be in the units specified by Display Scaling parameter (o1-03).

◆ d2 Reference (Speed Command) Limits

■ d2-01 Frequency Reference Upper Limit

Setting Range: 0.0 to 110.0%

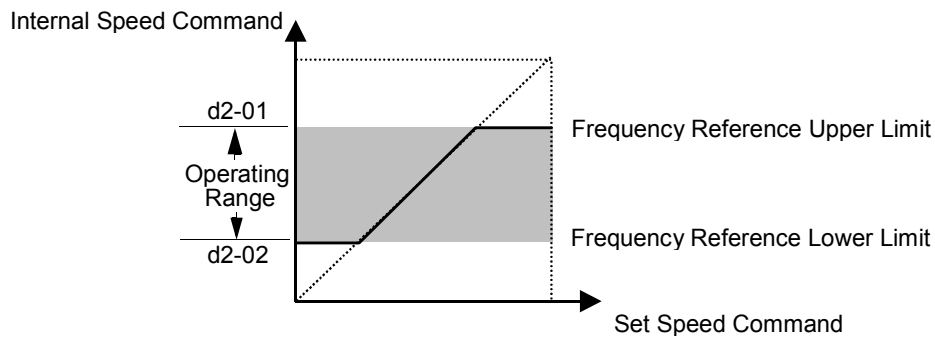
Factory Default: 100.0%

■ d2-02 Frequency Reference Lower Limit

Setting Range: 0.0 to 110.0%

Factory Default: 0.0%

The use of parameters d2-01 and d2-02 places limitations on the speed command that the Drive will accept. The parameters are set in units of percentage of the maximum frequency (E1-04) and provide limits on any remote speed command input. By entering upper or lower frequency limits, the Drive programmer can prevent operation of the Drive above or below levels that may cause resonance, equipment damage or discomfort (see also parameter d3-0X). For example, limits may be needed to prevent low speed operation of: cooling tower fans with gear boxes, pumps with pressure dependent seals or AHUs with minimum delivery requirements.



Note: See also the “Sleep” function in Figure 5.18 for alternate “lower limit” implementation.

Fig 5.21 Frequency Reference Upper and Lower Limit Effects on the Speed Command

◆ d3 Jump Frequencies

■ d3-01 Jump Frequency 1

d3-02 Jump Frequency 2

d3-03 Jump Frequency 3

Setting Range: 0.0 to 200.0 Hz

Factory Default: 0.0 Hz

■ d3-04 Jump Frequency Width

Setting Range: 0.0 to 20.0 Hz

Factory Default: 1.0 Hz

In order to avoid continuous operation at a speed that causes resonance in driven machinery, the Drive can be programmed with jump frequencies that will not allow continued operation within specific frequency ranges. If a speed is commanded that falls within a dead band, or Jump Frequency, the Drive will clamp the frequency reference just below the dead band and only accept higher speed commands when the commanded speed rises above the upper end of the dead band, for increasing references. Similarly, the Drive will clamp the frequency reference just above the dead band and only accept lower speed commands when the command speed falls below the lower end of the dead band, for decreasing references.

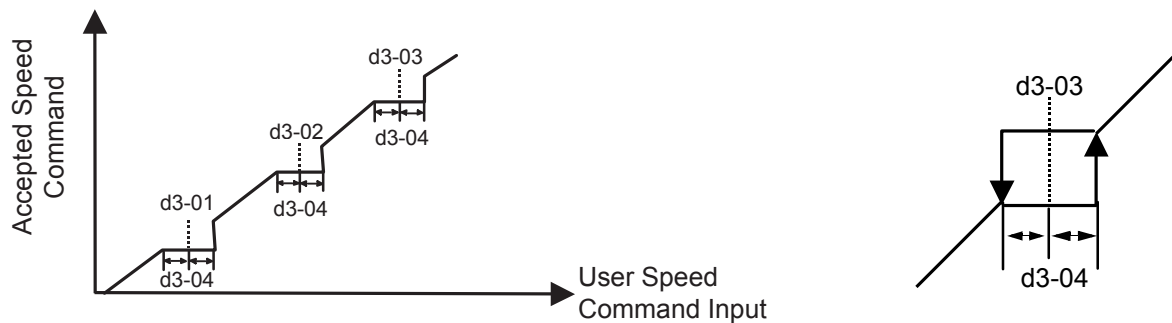


Fig 5.22 Jump Frequency Characteristics

Setting the center point of the dead band with the d3-01 through d3-03 parameters and setting the width of the dead band with parameter d3-04 determines the dead band characteristics. The programmer can set up to three Jump Frequencies. If multiple Jump Frequencies are programmed the following rule applies:

$$d3-01 \leq d3-02 \leq d3-03$$

◆ d4 Sequence

■ d4-01 MOP Reference Memory

Setting	Description
0	Disabled (<i>factory default</i>)
1	Enabled

The Drive offers the capacity to change the speed command much the way a Motor Operated Potentiometer (MOP) would. Using programmed digital inputs configured as MOP Increase (H1-0x= 10) and MOP Decrease (H1-0x= 11), the Drive will increase the speed command whenever the MOP Increase input is closed and decrease the speed command whenever the MOP Decrease is closed. The speed command will remain constant whenever both inputs are open or closed.

Parameter d4-01 determines whether the last speed command, before the Run command was removed, is remembered even if the power is cycled to the Drive. If d4-01= “0: Disabled”, then when a new Run command is issued the Drive’s speed command will be 0 rpm. If d4-01= “1: Enabled”, then the speed command will be the last commanded speed before the Run command was removed.

◆ E1 V/f Pattern

■ E1-01 Input Voltage Setting

Setting Range: 155.0V to 255.0V (208V/240V Models)
310.0V to 510.0V (480V Models)

Factory Defaults: 208.0V (208V Models)
240.0V (240V Models)
480.0V (480V Models)

Set the Input Voltage parameter (E1-01) to the nominal voltage of the connected AC power supply. This parameter adjusts the levels of some protective features of the Drive (i.e. Overvoltage, Stall Prevention, etc.). E1-01 also serves as the Maximum/Base Voltage used by the Preset V/Hz curves (E1-03= 0 to D).

■ E1-03 V/f Pattern Selection

Setting	Description
0	50 Hz
1	60 Hz Saturation
2	50 Hz Saturation
3	72 Hz
4	50 Hz VT1
5	50 Hz VT2
6	60 Hz VT1
7	60 Hz VT2
8	50 Hz HST1
9	50 Hz HST2
A	60 Hz HST1
B	60 Hz HST2
C	90 Hz
D	120 Hz
F	Custom V/f (<i>factory default, with parameter values per setting 1</i>)
FF	Custom w/o limit

The Drive operates utilizing a set V/f pattern to determine the appropriate output voltage level for each commanded speed. There are 14 different preset V/f patterns to select from with varying voltage profiles, saturation levels (frequency at which maximum voltage is reached), and maximum frequencies.

There are also settings for Custom V/f patterns that will allow the programmer to manually set (“Customize”) the V/f pattern using parameters E1-04 through E1-13.

Using parameter E1-03, the programmer can select one of the preset V/f patterns or chose between a custom V/F pattern with an upper voltage limit (E1-03= “F: Custom V/F”) and a custom V/f pattern without a voltage limit (E1-03= “FF: Custom w/o limit”).

Table 5.9 Preset V/f Patterns								
	Specifications	E1-03	V/f Pattern *1		Specifications	E1-03	V/f Pattern *1	
General-purpose	50Hz	0		High Starting Torque *2	High Starting Torque 1	8		
								High Starting Torque 2
	60Hz Saturation	1 F			High Starting Torque 1	A		
	50Hz Saturation	2			High Starting Torque 2	B		
72Hz	3		90Hz	C				
						Variable Torque	50Hz	Variable Torque 1
Variable Torque 2	5							
60Hz	Variable Torque 1	6						
	Variable Torque 2	7						

If one of the custom V/f patterns is selected, then parameters E1-04 through E1-13 will determine the V/F pattern.

Table 5.9 is for 240V class units only, for 480V class units multiply the voltage values by 2.

IMPORTANT

When a factory Initialization is performed, the setting of E1-03 is unaffected but the settings of E1-04 through E1-13 are returned to their factory default settings.

■ **E1-04 Maximum Output Frequency**

Setting Range: 0.0 to 120.0 Hz

Factory Default: 60.0 Hz

■ E1-05 Maximum Output Voltage

Setting Range: 0.0 to 255.0V (208V/240V Models)
0.0 to 510.0V (480V Models)

Factory Defaults: 208.0V (208V Models)
230.0V (240V Models)
460.0V (480V Models)

■ E1-06 Base Frequency

Setting Range: 0.0 to 200.0 Hz (settings above 120.0 Hz are currently not supported)
Factory Default: 60.0 Hz

■ E1-07 Mid Output Frequency A

Setting Range: 0.0 to 200.0 Hz (settings above 120.0 Hz are currently not supported)
Factory Default: 3.0 Hz

■ E1-08 Mid Output Voltage A

Setting Range: 0.0 to 255.0V (208V/240V Models)
0.0 to 510.0V (480V Models)

Factory Defaults: 18.0V (208V Models)
18.0V (240V Models)
33.6V (480V Models)

■ E1-09 Minimum Output Frequency

Setting Range: 0.0 to 200.0 Hz (settings above 120.0 Hz are currently not supported)
Factory Default: 1.5 Hz

■ E1-10 Mid Output Voltage

Setting Range: 0.0 to 255.0V (208V/240V Models)
0.0 to 510.0V (480V Models)

Factory Defaults: 10.8V (208V Models)
10.8V (240V Models)
16.8V (480V Models)

■ E1-11 Mid Output Frequency B

Setting Range: 0.0 to 200.0 Hz (settings above 120.0 Hz are currently not supported)
Factory Default: 0.0 Hz

■ E1-12 Mid Output Voltage B

E1-13 Base Voltage

Setting Range: 0.0 to 255.0V (208V/240V Models)
0.0 to 510.0V (480V Models)

Factory Defaults: 0.0V (208V Models)
0.0V (240V Models)
0.0V (480V Models)

To set up a custom V/f pattern, program the points shown in the diagram below using parameters E1-04 through E1-13. Be sure that the following condition is true:

$$E1-09 \leq E1-07 \leq E1-06 \leq E1-11 \leq E1-04$$

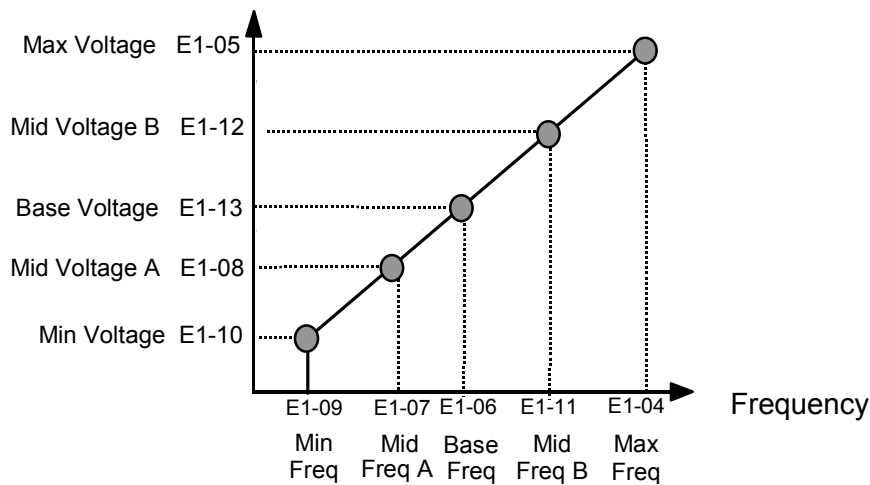


Fig 5.23 Custom V/f Pattern Programming Curve

Increasing the voltage in the V/f pattern increases the available motor torque. However, when setting a custom V/f pattern, increase the voltage gradually while monitoring the motor current, to prevent:

- Drive faults as a result of motor over-excitation
- Motor overheating or excessive vibration

◆ E2 Motor Setup

■ E2-01 Motor Rated Current

Setting Range: Model Dependent (see appendix B)

Factory Default: Model Dependent

The Motor Rated Current parameter (E2-01) is necessary information for the Drive motor protection function. The motor overload protection parameter L1-01 is enabled by default. In addition, motor rated current is used by the torque compensation function to insure optimum torque production. Set E2-01 to the full load amps (FLA) value stamped on the motor's nameplate. During Auto-tuning, it is required for the operator to enter the motor rated current in parameter T1-04 on the Auto-Tuning menu. If the Auto-tuning operation completes successfully, the value entered into T1-04 will be also written into E2-01.

For applications employing a Drive that is oversized for the motor, E2-01 may be set as low as 10% of the Drive output current rating. The ampere value in E2-01 however, must always be greater than the "No Load Current" value in parameter E2-03 or an OPE02 error will be displayed.

■ E2-03 No Load Current

Setting Range: Model Dependent (see appendix B)

Factory Default: Model Dependent

Set E2-03 to the motor no-load current at rated voltage and rated frequency. Consult the motor manufacturer for the proper value if the no load current is not stated on the motor nameplate.

◆ F6 Com OPT Setup

(Applies only to the LonWorks® option)

■ F6-01 Operation Selection After Communication Error

Setting	Description
0	Ramp to Stop
1	Coast to Stop
2	Fast-Stop
3	Alarm Only (<i>factory default</i>)

If a serial communication option board is attached to the Drive at the 2CN connector, the Drive will automatically monitor the card for any type of communication errors. F6-01 is applicable no matter whether a run command or speed command is coming via the option board, digital operator, or terminal input. The setting of F6-01 determines whether the communication error is seen as a fault or an alarm. If F6-01= “3: Alarm Only”, then the fault output is not energized upon a communication error. All other settings of F6-01 cause the fault output to energize. The setting of F6-01 does not apply to any of the embedded communication protocols used at the RS-485/422 terminals on the removable terminal board. (See parameters H5-0X)

■ F6-02 Option PCB External Fault Detection Selection

Setting	Description
0	Always Detected (<i>factory default</i>)
1	Detected only during operation

■ F6-03 Option PCB External Fault Stopping Method

Setting	Description
0	Ramp to Stop
1	Coast to Stop (<i>factory default</i>)
2	Fast-Stop
3	Alarm Only

If an external fault is received from the LonWorks® or other communication option card, the settings of F6-02 and F6-03 will determine the Drive operation in reaction to the fault signal. Parameter F6-02 will determine if the external fault is always recognized (F6-02= “0: Always Detected”) or only recognized when the Run command is active (F6-02= “1: Detected only during operation”).

Once the fault is recognized, parameter F6-03 will determine the operation of the Drive. If parameter F6-03 is set to anything other than “3”, the Drive will fault and a stopping sequence is begun. If F6-03= “3: Alarm Only”, then the external fault is treated like an alarm. Operation will continue and an EF0 fault will flash on the digital operator.

■ F6-05 Current Scaling via Communication Option PCB

Setting	Description
0	A Display (<i>factory default</i>)
1	100%/8192 (Drive Rated Current)

A communication option card can read the Drive's DPRAM to access the current monitor. The format of the current reading in the DPRAM will be determined by parameter F6-05.

F6-05= "0: A Display" → Current is a decimal number corresponding to actual Amperes

F6-05= "1: 100%/8192 (Drive Rated Current)" → Current reading is a number where
8192 = 100% of Drive rated output current

◆ H1 Digital Inputs

■ H1-01 Drive Terminal S3 Function Selection

H1-02 Drive Terminal S4 Function Selection

H1-03 Drive Terminal S5 Function Selection

H1-04 Drive Terminal S6 Function Selection

H1-05 Drive Terminal S7 Function Selection

Setting Range: 0 to 6E

Factory Default: H1-01= "70: Bypass Drv Envl" This is one of the special parameter settings required by the Bypass logic circuit. See Table 5.1.

H1-02= This is one of the special parameter settings required by the Bypass logic circuit. See Table 5.2

H1-03= This is one of the special parameter settings required by the Bypass logic circuit. See Table 5.2.

H1-04= "4: Multi-Step Ref 2" (2 Wire)

"3: Multi-Step Ref 1" (3 Wire)

H1-05= "6: Jog Freq Ref" (2 Wire)

"4: Multi-Step Ref 2" (3 Wire)

The Drive has five multi-function contact digital inputs. By programming parameters H1-01 through H1-05, the user can assign specific functions to each input. Below is a table with a complete list of all of the digital input functions. The programming manual has a more detailed description of each of the functions.

Parameter setting	Function	Parameter setting	Function
0	3-Wire Control	1C	Trim Control Increase
1	Local/Remote Selection	1D	Trim Control Decrease
2	Option/Inv Selection 1	1E	Reference Sample Hold
3	Multi-step Reference 1	20-2F	External Fault
4	Multi-step Reference 2	30	Integral Reset
6	Jog Frequency Reference 1	31	Integral Hold
7	Multi-Accel/Decel 1	34	PI Soft Start Cancel
8	External Baseblock N.O.	35	PI Input Characteristic
9	External Baseblock N.C.	36	Option/Inv Selection 2
A	Accel/Decel Ramp Hold	60	Motor Pre-heat
C	Terminal A2 Enable	61	Speed Search 1
F	Terminal Not Used	62	Speed Search 2
10	MOP Increase	64	Speed Search 3
11	MOP Decrease	67	Communications Test Mode
12	Forward Jog	68	High Slip Braking
13	Reverse Jog	69	Jog Frequency Reference 2
14	Fault Reset	6A	Drive Enable (Cycle Run)
15	Fast Stop N.O.	6B	Com/Inv Selection
17	Fast Stop N.C.	6C	Com/Inv SEL 2
18	Timer Function	6D	Auto Mode @ Close
19	PI Disable	6E	Hand Mode @ Close
1B	Program Lockout	70	Drive Enable (Accept Run)

Following are descriptions of only those parameters that are required for Bypass operations and PI control.

■ **Function: Multi-step Ref 1**

Setting: 3

■ **Function: Multi-step Ref 2**

Setting: 4

The Drive can be programmed to step through four preset speeds and a jog. It is also possible to mix in the analog inputs as speed references that can be chosen in place of the first and second preset frequency references. The selection of which preset speed will be the active speed command is determined by the status of the digital inputs set for Multi-step Ref 1 (H1-0x= 3) and Multi-step Ref 2 (H1-0x= 4). Changing the active speed command via the Multi-step References can be done while the Drive is running.

The following table details which reference is active based on the status of the Multi-step Ref 1 and Multi-step Ref 2 inputs:

Preset Speed	Terminal Programmed as Multi-step Reference 1	Terminal Programmed as Multi-step Reference 2	Terminal Programmed as Jog Reference	Details
1	OFF	OFF	OFF	Frequency Reference 1 (d1-01) or analog input A1 [†] (Determined by b1-01)
2	ON	OFF	OFF	Frequency Reference 2 (d1-02) or analog input A2 [†] (Determined by H3-09)
3	OFF	ON	OFF	Frequency Reference 3 (d1-03)
4	ON	ON	OFF	Frequency Reference 4 (d1-04)
5	-	-	ON*	Jog Frequency (d1-17)

* The Jog Frequency input is given priority over the multi-step speeds.
[†] Shown for H3-13 = "0: Main Fref TA1", A1 and A2 are reversed if H3-13 = "1: Main Fref TA2"

The determination of whether the Preset Speed 1 will be the Frequency Reference 1 (d1-01 or the analog input A1) is determined by the status of b1-01. If b1-01= "1: Terminals", the value of the input to A1 will determine the commanded speed when Preset Speed 1 is selected. If b1-01≠1, the setting of d1-01 will determine the commanded speed when Preset Speed 1 is selected.

The determination of Preset Speed 2 is made much the same way as Preset Speed 1 except that the setting of parameter H3-09 decides whether the analog input A2 or d1-02 is Preset Speed 2. If H3-09= "2: Aux Reference", the value of the input to A2 will determine the commanded speed when Preset Speed 2 is selected. If H3-09≠2, the setting of d1-02 will determine the commanded speed when Preset Speed 2 is selected.

■ Function: Fault Reset

Setting: 14

Whenever the Drive detects a fault condition, the fault output contact will close and the Drive's output will shut OFF causing the motor to coast (specific stopping methods can be selected for some faults such as L1-04 for motor overheat). Once the Run command is removed, the fault can be reset by either the RESET key on the digital operator or by closing a digital input configured as a Fault Reset (H1-0x= 14).

■ Function: PI Disable

Setting: 19

When the PI Function has been enabled by b5-01 (PI Mode Selection), it can be indefinitely disabled by closing a digital input configured as a PI Disable input (H1-0x= 19). When disabled, the Drive operates as a standard Drive that does not have PI enabled.

■ Function: Com/Inv Sel 2

Setting: 6C

The Com/Inv Selection function allows the user to switch the origin of the Run and speed command between the Drive's terminals and the RS-485/422 port (and the embedded communication protocols) on the removable terminal board. When a digital input is programmed for the Com/Inv Selection function (H1-0x= 6B) that input will function as follows:

Table 5.12	
Option/Inv Function Input Status	Run and Speed Command Source
OPEN	From the control circuit and analog input terminals
CLOSED	From Serial Com port (R+,R-,S+, and S-) (embedded protocols)

To switch the command source between the serial communication port and the control circuit terminals be sure to program the following parameters:

- Set b1-01 (Frequency Reference Selection) to 1 (Terminals).
- Set b1-02 (Run Command Selection) to 1 (Terminals).
- Set H1-0x (Input Terminal Function Selection) to 6B or 6C.

The Com/Inv Sel 2 function will operate the same way except the logic is reversed. When a digital input is programmed for the Com/Inv Selection function (H1-0x= 6C) that input will function as follows:

Table 5.13	
Option/Inv Function Input Status	Run and Speed Command Source
OPEN	From Serial Com port (R+, R-, S+, and S-) (embedded protocols)
CLOSED	From the control circuit and analog input terminals

IMPORTANT

Switching the Reference and Run sources can only be done while the Drive is stopped.

◆ H2 Digital Outputs

■ H2-01 Drive Terminal M1-M2 Function Selection H2-02 Drive Terminal M3-M4 Function Selection

Setting Range: 0 to 3B

Factory Default: H2-01= “0: During Run 1”

H2-02= “3B: Run Src Com/Opt”

H2-01 and H2-02 are two of the special parameter settings required by the Bypass logic circuit. See Table 5.1.

The Drive has two multi-function outputs. By programming parameters H2-01 and H2-02, the user can assign specific functions to each output. Below is a table with a complete list of all of the digital output functions. Refer to the Programming Manual for a more detailed description of each of the functions.

Parameter setting	Function	Parameter Setting	Function
0	During Run 1	F	Terminal Not Used
1	Zero Speed	10	Minor Fault
2	F _{REF} /F _{OUT} Agree 1	11	Reset Cmd Active
3	F _{REF} /Set Agree 1	12	Timer Output
4	Frequency Detect 1	17	Torque Detect 1 N.C.
5	Frequency Detect 2	1A	Reverse Direction
6	Drive Ready	1E	Restart Enabled
7	DC Bus Undervoltage	1F	Overload (OL1)
8	Baseblock 1	20	OH Pre-alarm
9	Option Reference	38	Drive Enable
A	Remote Operation	39	Drive Waiting
B	Torque Detect 1 N.O.	3A	Frequency Reduced, OH
C	Loss of Reference	3B	Run from Serial Com
E	Fault		

◆ H3 Analog Inputs

■ H3-02 Drive Terminal A1 Gain Setting

Setting Range: 0.0 to 1000.0%

Factory Default: 100.0%

The addition of another input signal on terminal A1 to the Drive and Bypass unit, after shipment to the job site, would be the only reason for changing this parameter.

For example, in variable air volume AHUs with a “volume matching” control strategy, P1 differential control is employed with feedback signals connected to both terminals A1 and A2.

■ H3-03 Drive Terminal A1 Bias Setting

Setting Range: -100.0% to +100.0%

Factory Default: 0.0%

In order to have the Drive properly interpret an analog input, it may be necessary to apply a gain and/or a bias to the signal. The analog inputs have a resolution of 10 bits (1024 steps). Using the factory default settings for the analog input's gain and bias, the 0-10Vdc or 4-20mA signal at the analog input will yield a 0-100% speed command span.

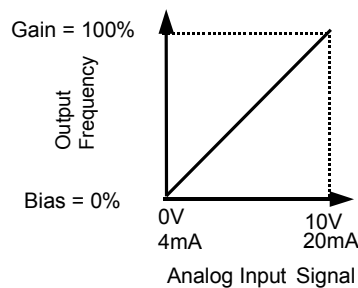


Fig 5.24 Output Frequency as Commanded Via Analog Input

If a different span of analog input signal is desirable, it will be necessary to adjust the gain, the bias, or both to allow the analog input level to generate the desired frequency command. Adjustment of the gain setting will change the speed command that is equivalent to the maximum analog input (10Vdc or 20mA). If, for instance, the gain is increased to 200%, then 10Vdc or 20mA will be equivalent to a 200% speed command and 5 VAC or 12mA will be equivalent to a 100% Speed Command. Since the Drive output is limited by the maximum frequency parameter (E1-04), 0-5Vdc or 4-12mA will now be equivalent to 0-100% speed command span.

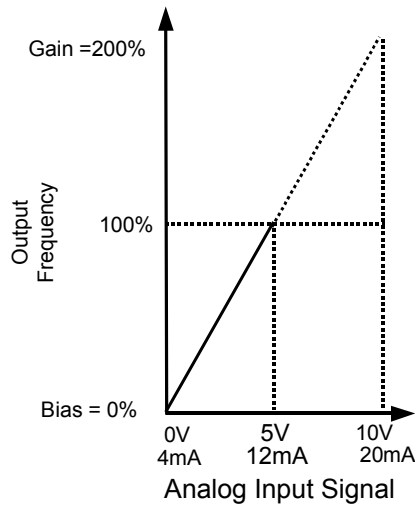


Fig 5.25 Output Frequency as Commanded via Analog Input with Increased Gain Setting

Adjustment of the bias setting will likewise adjust the speed command that is equivalent to the minimum analog input level (0Vdc or 4mA). If, for instance, the bias is set to -25%, then 0Vdc or 4mA will be equivalent to a -25% speed command. Since the minimum speed command is 0% an analog input of 2.5 to 10Vdc or 8 to 20mA will now be equivalent to 0-100% speed command span.

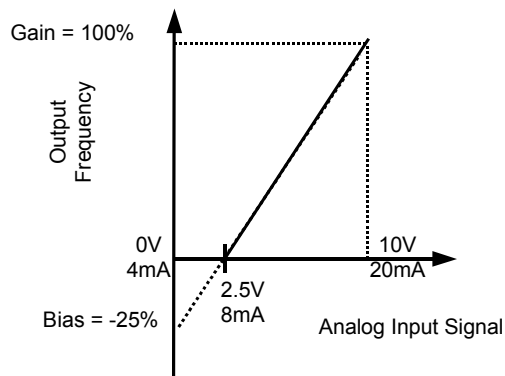


Fig 5.26 Output Frequency with Reduced Bias Setting

As a further example, for an inverse-acting speed command, set the bias= 100% and the gain= 0%. The minimum analog input level (0Vdc or 4mA) will produce a 100% speed command and the maximum analog input level (10Vdc or 20mA) will produce a 0% speed command.

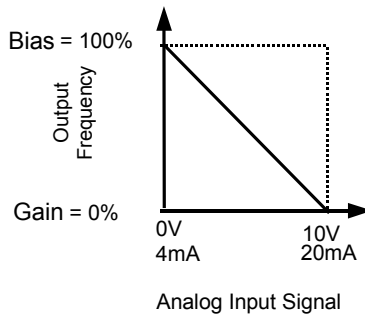


Fig 5.27 Output Frequency with Inverted Gain and Bias Settings

■ H3-08 Drive Terminal A2 Signal Level

Setting	Description
0	0 - 10VDC
2	4 - 20mA (Default)

H3-08 is one of the special parameter settings required by the Bypass logic circuit. See Table 5.2.

The H3-08 parameter (Drive Terminal A2 Signal Level) allows the programmer to specify the signal that will be applied to the A2 analog input (E7N Terminal TB3-3 or TB5-9). The A2 analog input can accept either a 0–10 Vdc or 4–20 mA signal as a reference. The E7N also has a DIP switch (S1) on the PCB A2 that must be set for the proper reference signal into the A2 analog input. The S1-2 DIP switch setting determines the internal resistance of the Drive A2 input while parameter H3-08 determines how the Drive interprets the measured signal.

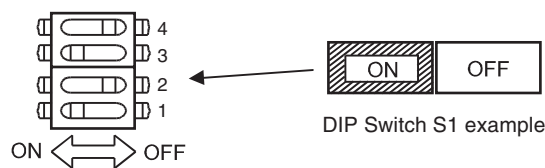
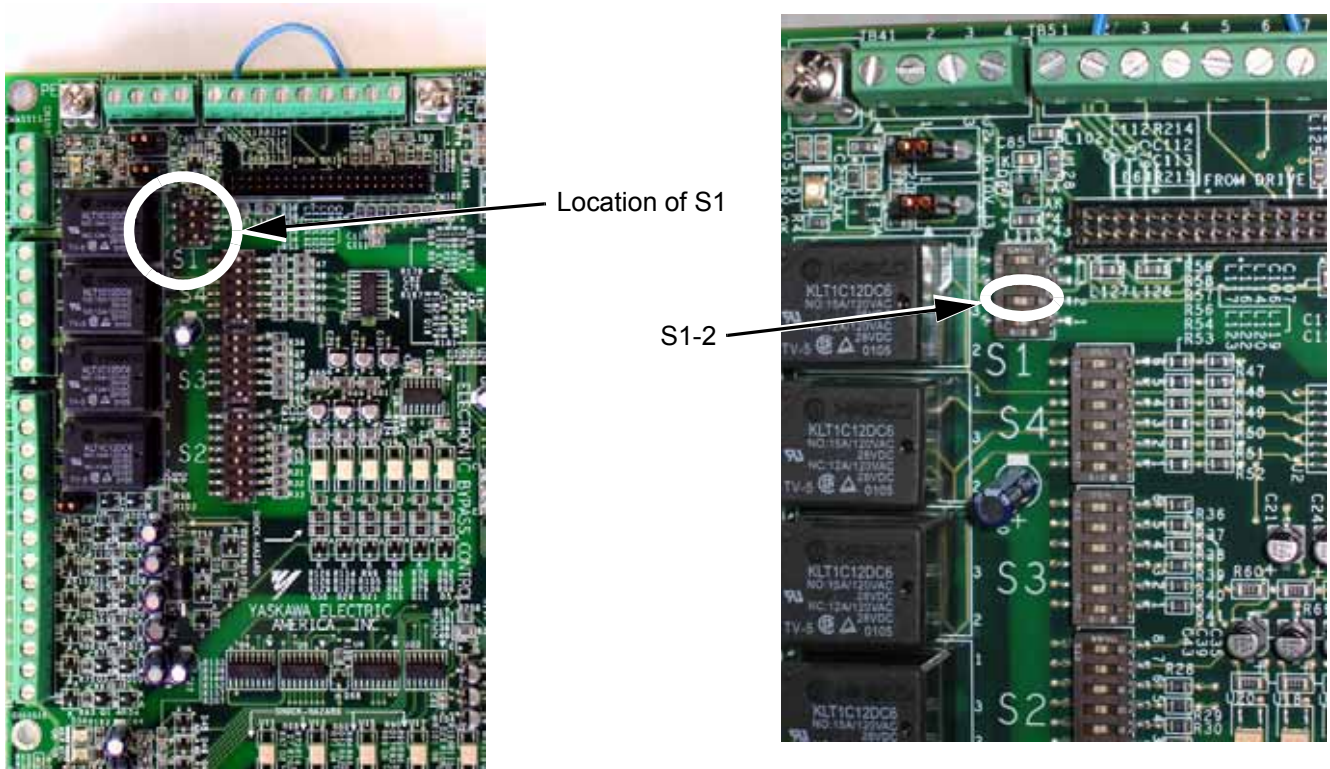


Fig 5.28 DIP Switch S1

Name	Function	Setting
S1-2	Input signal for Drive analog input A2	OFF: 0 to 10 V (internal resistance: 20 k Ω) ON: 4 to 20 mA (internal resistance: 250 Ω) (Factory default)

■ H3-09 Drive Terminal A2 Function Selection

H3-09 is one of the special parameter settings required by the Bypass logic circuit. See Table 5.2.

Setting	Description
0	Frequency Bias
2	Aux Reference
B	PI Feedback
D	Frequency Bias 2
E	Motor Temperature
16	PI Differential
1F	Not Used

The Drive A2 analog input (E7N Terminal TB3-3 or TB5-9) can be programmed to perform many different functions. The setting of parameter H3-09 determines which of the following functions the A2 analog input will perform.

Function: Aux Reference

Setting: 2

In order for the A2 analog input to be used as the master Speed Command, parameter H3-09 must be set for Aux Reference (H3-09= “2: Aux Reference”). Once A2 is configured as an auxiliary reference, it can be selected as the master Speed Command by setting H3-13= “1: Main Fref TA2”. If H3-09= 2, terminal A2 analog input will become the speed command when a digital input programmed for Multi-Step Ref 1 (H1-0x= 3) is selected by a contact closure.

Function: PI Feedback

Setting: B

Configuring the A2 analog input as PI Feedback (H3-09= “B: PI Feedback”) is a requirement of setting the Drive up for PI operation. The A2 analog input is the only source for feedback for PI operation though the setpoint can come from a number of different sources (refer to the section covering the PI parameters for more information regarding specifying the setpoint source. PI parameters are listed in section b5).

Parameters H3-10 (Terminal A2 Gain) and H3-11 (Terminal A2 Bias) can be used to configure the A2 analog input to match the signal from the Feedback Transmitter.

The U1-24 monitor (PI Feedback) can be used to check the PI Feedback level with the digital operator.

Function: PI Differential

Setting: 16

Normal PI operation will adjust the Drive output in order to match the measured feedback value to a desired setpoint. When PI is operated in the differential mode, however, the Drive output is adjusted in order to maintain a desired differential between two feedback signals.

When the A2 analog input is configured as a PI Differential (H3-09= “16: PI Differential”), the A1 analog input becomes the other PI Differential input. The desired differential is set by parameter b5-07 (PI Differential Setpoint) and can be set so that A2 is held less than A1 (b5-07 <0) or A2 is held greater than A1 (b5-07 >0).

When PI Differential operation is chosen, the A1 feedback level can be monitored by U1-24 (PI Feedback) and the A2 feedback level can be monitored by U1-53 (PI Feedback2).

■ H3-10 Drive Terminal A2 Gain Setting

Setting Range: 0.0 to 1000.0%

Factory Default: 100.0%

■ H3-11 Drive Terminal A2 Bias Setting

Setting Range: -100.0% to +100.0%

Factory Default: 0.0%

Parameters H3-10 and H3-11 perform the same function for the A2 analog input that parameters H3-02 and H3-03 perform for the A1 analog input. Please refer to the parameter description for H3-02 and H3-03 for information about H3-10 and H3-11.

These parameters could be used for final calibration of a factory or field installed pressure to electric transducer input connected to terminal A2 and AC. This field calibration may be needed if there is a job site variation from the typical 3 to 15 PSIG pneumatic signal input range.

■ H3-12 Analog Input Filter Time Constant

Setting Range: 0.0 to 2.00 Seconds

Factory Default: 0.30 Seconds

An analog input filter can be used to prevent erratic Drive control when a “noisy” analog reference is used. Parameter H3-12 sets the time constant for a first order filter that will be applied to both the A1 and A2 analog inputs. The Drive operation becomes more stable the longer the time programmed, but it becomes less responsive to rapidly changing analog signals.

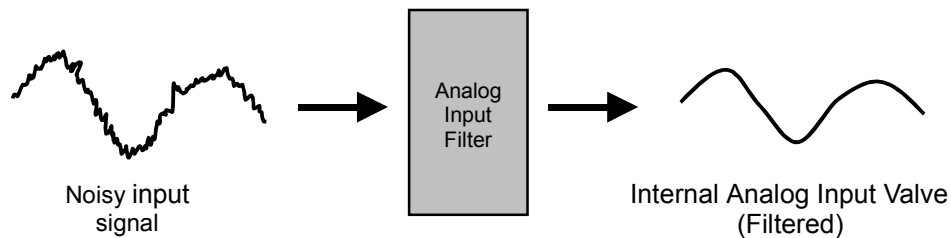


Fig 5.29 Analog Input Filter Time Constant Effect on “Noisy” Signal

■ H3-13 Master Frequency Reference Terminal Selection

Setting	Description
0	Main Fref= A1 (<i>factory default</i>)
1	Main Fref= A2

Parameter H3-13 allows the programmer to select which analog input will serve as the Speed Command input when “Terminals” are selected as the Auto Mode Speed source (b1-01= “1: Terminals”), or Terminal is selected as the reference source for the Hand mode (b1-12= “1: Terminals”). For the A2 analog input to be an effective selection for the H3-13 parameter, parameter H3-09 must be configured as Aux Reference (H3-09= “2: Aux Reference”).

If H3-09≠2, then the A1 analog input will be used regardless of the setting of parameter b1-12.

◆ L2 Momentary Power Loss Ride-thru Function

When momentary power loss recovery is enabled (L2-01≠0), a speed search is executed to catch the potentially spinning motor shaft. This speed search will occur regardless of the setting of b3-01 “Speed Search Selection”.

■ L2-01 Momentary Power Loss Detection Selection

Setting	Description
0	Disabled
1	PwrL Ride Thru t
2	CPU Power Active (<i>factory default</i>)

■ L2-02 Momentary Power Loss Ride-Thru Time

Setting Range: 0.0 to 25.5 Seconds

Factory Default: Model Dependent

The Drive allows different responses to momentary power losses. The setting of L2-01 determines whether the Drive attempts to restart after a short loss of incoming AC power and for what length of time this capability remains active.

If L2-01= “0: Disabled”, the Drive detects a UV1 fault 15ms after power loss and automatic restarting is disabled. The Drive cannot restart until the external run command is removed and the UV1 fault is reset.

If L2-01= “1: PwrL Ride Thru t”, the Drive restarts without the UV1 fault if power is returned within the time specified in L2-02, the Momentary Power Loss Ride-thru Time. During the power loss but before the fault trip, the digital operator will display a UV alarm. If L2-02 is set for a time longer than the control power supply can be sustained, a UV1 fault will not occur and the Drive restarts upon the return of AC power. The time that the control power supply can be maintained varies with Drive size. The larger the Drive, the greater the potential ride-thru time.

If L2-01= “2: CPU Power Active”, the Drive ignores L2-02 and attempts a restart as long as the control power supply is still able to maintain a minimal voltage level. In effect, setting L2-01= “2: CPU Power Active” (factory default) is programming the Drive for maximum Power Loss Ride-thru. An equivalent setting is L2-01= “1: PwrL Ride Thru t”, with L2-02 set to a time longer than the control power supply can be maintained after power is lost.

Note: The run command must be held during power loss for any power loss ride-thru capability to be possible. It is for this reason that 3-wire control is not recommended for use with the Momentary Power Loss function.

◆ L3 Stall Prevention

■ L3-01 Stall Prevention Selection During Accel

Setting	Description
0	Disabled
1	General Purpose (<i>factory default</i>)
2	Intelligent

■ L3-02 Stall Prevention Level During Accel

Setting Range: 0 to 200% of Drive rated output current

Factory Default: 120% of Drive rated output current

The stall prevention during acceleration function adjusts the acceleration time in order to prevent OC fault trips during acceleration. If L3-01= “0: Disabled”, stall prevention is disabled. If the load is large enough and the acceleration time short enough the Drive may fault and stop.

If L3-01= “1: General Purpose”, then the standard stall prevention function is enabled. When the output current exceeds the level set by the L3-02 parameter, the Drive will discontinue accelerating and maintain speed. If, during acceleration, the output current comes within 15% of the level set by parameter L3-02, the acceleration time is lengthened. Once the output current level has dropped below the L3-02 level, acceleration will begin again with the acceleration rate reaching the programmed rate once again 15% below the L3-02 level.

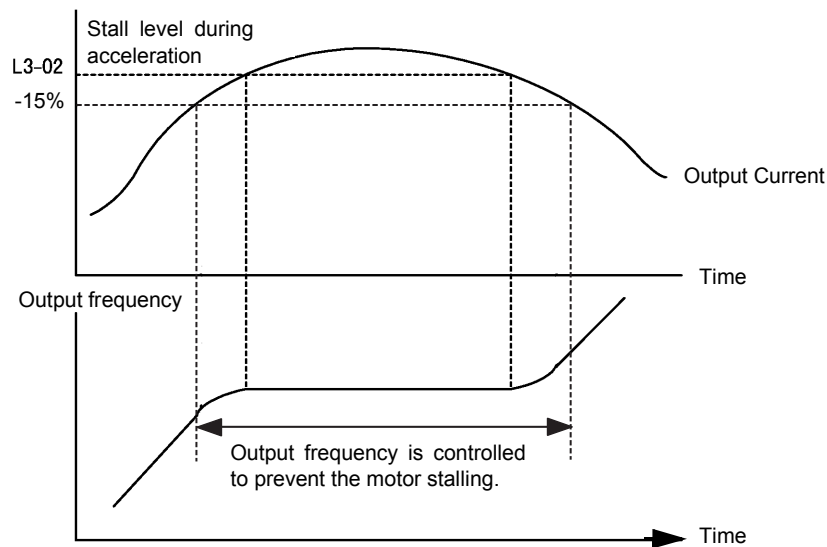


Fig 5.30 Detailed Time Chart for Stall Prevention During Acceleration

If L3-01= “2: Intelligent”, the intelligent stall prevention is enabled. The active acceleration time is ignored and the Drive will attempt to accelerate as quickly as possible without exceeding the L3-02 output current level.

IMPORTANT

Stall Prevention during Acceleration is not effective when the output frequency is less than 6Hz.

The following figure demonstrates acceleration when L3-01= “1: General Purpose”.

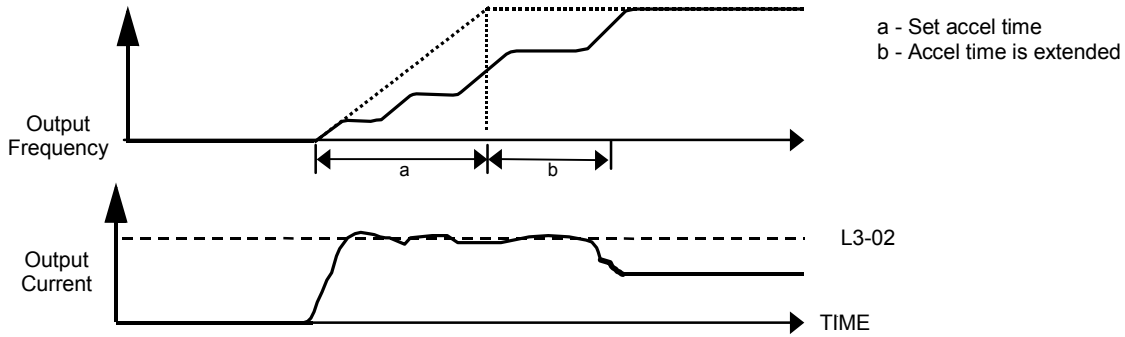


Fig 5.31 Time Chart for Stall Prevention During Acceleration

The L3-02 parameter is set as a percentage of the Drive rated output current. If the motor capacity is small compared to the Drive’s capacity, or if the motor stalls during acceleration, lower the set value of L3-02.

■ L3-04 Stall Prevention Selection During Decel

Setting	Description
0	Disabled
1	General Purpose (<i>factory default</i>)
2	Intelligent
3	Stall prev w/R

The stall prevention during deceleration function adjusts the deceleration time in order to prevent OV fault trips during deceleration. If L3-04= “0: Disabled”, stall prevention is disabled and if the load is large and the deceleration time short enough the Drive may fault and stop.

If L3-04= “1: General Purpose”, then the standard stall prevention function is enabled. If, during deceleration, the DC Bus voltage exceeds the stall prevention level (see table below), the Drive will discontinue decelerating and maintain speed. Once the DC Bus voltage has dropped below the stall prevention level, the deceleration will continue down to the Speed Command level. See figure below.

Drive Voltage		Stall Prevention Level during Deceleration (V)
240 VAC		380
480 VAC	E1-01 ≥ 400 VAC	760
	E1-01 < 400 VAC	660

If L3-01= “2: Intelligent”, the intelligent stall prevention is enabled. The active deceleration time is ignored and the Drive will attempt to decelerate as quickly as possible without causing the DC Bus voltage to exceed the stall prevention level.

The following figure demonstrates acceleration when L3-04= “1 General Purpose”.

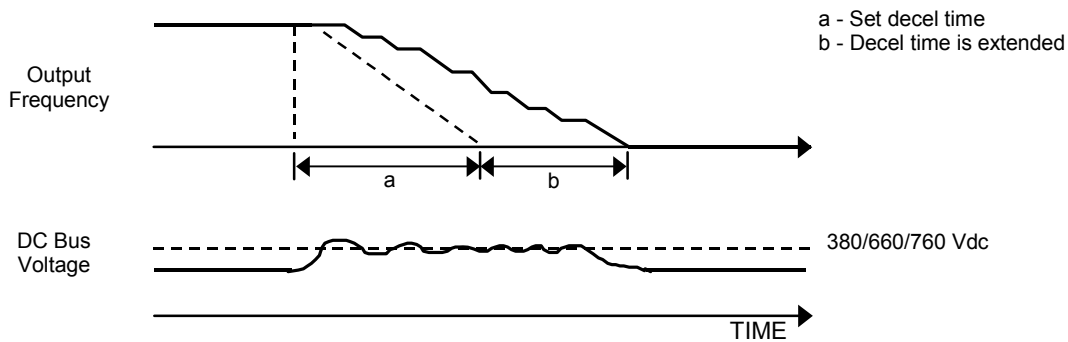


Fig 5.32 Time Chart for Stall Prevention During Deceleration

■ L3-05 Stall Prevention Selection During Running

Setting	Description
0	Disabled
1	Decel Time 1 (<i>factory default</i>)
2	Decel Time 2

■ L3-06 Stall Prevention Level During Running

Setting Range: 30 to 200% of Drive rated output current

Factory Default: 120% of Drive rated output current

The Stall Prevention During Running function will attempt to avoid a Drive OC fault occurrence while the Drive is operating at a constant speed. If L3-05= “0: Disabled”, the Drive may fault if the load increases sufficiently to cause the output current to reach the OC fault level (180% of Drive rated output current).

If L3-05= “1: Decel Time 1”, the Drive is outputting a constant speed, and the Drive’s output current level exceeds the level set by parameter L3-06 for more than 100 ms the Drive will begin to decelerate at the rate specified by parameter C1-02. The Drive will continue to decelerate until the output current level drops below the L3-06 level (less a 2% hysteresis). Once the output current drops below the L3-06 – 2% level the Drive will begin to accelerate at the currently active acceleration rate (either C1-01 or C1-03).

If L3-05= “2: Decel Time 2”, the Drive will function as described above except C1-04 will be used instead of C1-02 as the deceleration rate used when the output current exceeds L3-06 for more than 100 ms.

The following figure demonstrates acceleration when L3-05≠0.

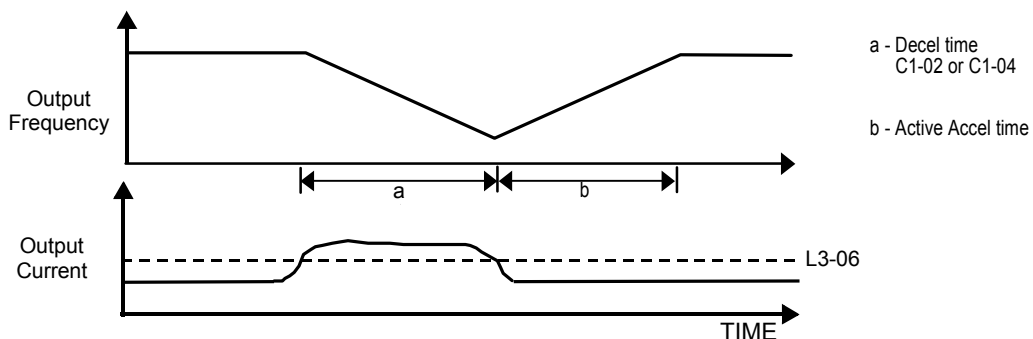


Fig 5.33 Time Chart for Stall Prevention Level During Running

The L3-06 parameter is set as a percentage of the Drive rated output current. If the Drive still faults when L3-05≠0, then either lower the L3-06 or adjust the C1-02 or C1-04 settings for a quicker deceleration.

◆ L4 Speed Command Loss Detection

■ L4-05 Frequency Reference Loss Detection Selection

Setting	Description
0	Disabled (<i>factory default</i>)
1	Enabled @ % of PrevRef

■ L4-06 Frequency Reference at Loss of Frequency Reference

Setting Range: 0.0 to 100.0% of previous speed command

Factory Default: 80.0% of previous speed command

The Drive can be configured to compensate for the loss of its external speed command. An external speed command is considered lost if it drops 90% of its value in 400mS or less.

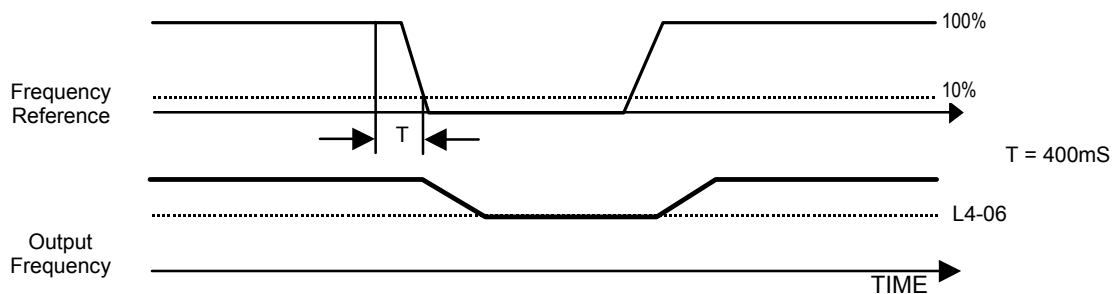


Fig 5.34 Loss of Frequency Reference Timing Diagram

To enable Frequency loss detection, set L4-05= “1: Enabled @ % of PrevRef”. If Frequency Reference Loss Detection is enabled and the reference is lost, the Drive continues to operate at the speed commanded by parameter L4-06. When the speed command returns, the Drive again follows the speed command.

Setting H2-01/H2-02= “C: Loss of Ref”, configures a digital output as a Frequency Reference Loss indication only when L4-05= “1: Enabled @ % of PrevRef”.

◆ L5 Fault Restart

■ L5-01 Number of Auto Restart Attempts

Setting Range: 0 to 10

Factory Default: 10

■ L5-02 Auto Restart Operation Selection

Setting	Description
0	No Flt Relay (<i>factory default</i>)
1	Flt Relay Active

■ L5-03 Maximum Restart Time After Fault

Setting Range: 0.5 to 600.0 Seconds

Factory Default: 600.0 Seconds

All major faults will cause the Drive to stop. For some faults it is possible to configure the Drive to attempt a restart automatically. After the fault occurs, the Drive baseblocks for L2-03 seconds. After the baseblock is removed the Drive checks if a fault condition still exists. If no fault condition exists the Drive will attempt to restart the motor. If the restart is successful, the Drive performs a Speed Search (Regardless of the status of b3-01 “Speed Search Selection”) from the set speed command and the Auto Restart Attempts count is increased by one. Even if the restart fails the restart count is increased by one as long as the Drive attempted to rotate the motor. The restart count will not be incremented if the restart is not attempted due to a continuing fault condition (i.e. an OV fault). The Drive waits L5-03 seconds before attempting another restart.

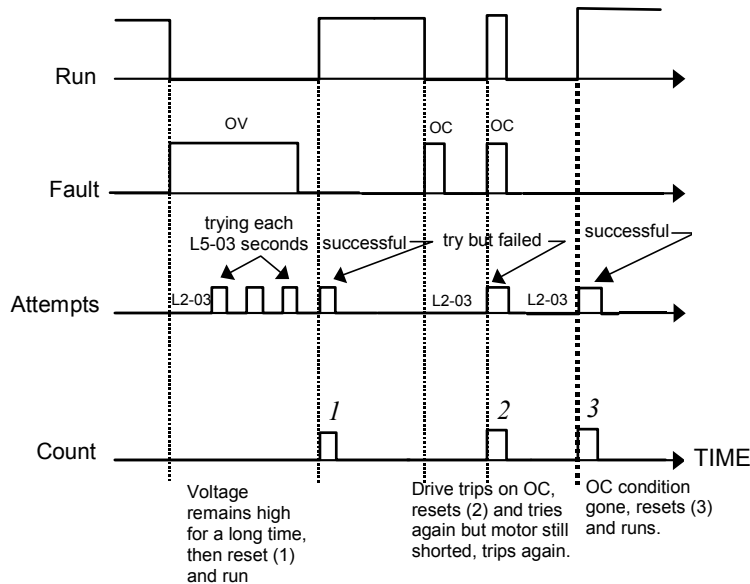


Fig 5.35 Automatic Restart Timing Diagram

The auto restart count is reset back to 0 if any of the following occur:

- No further faults for ten minutes after the last retry.
- The Drives power is turned off (the Drive must be without power long enough to let control power dissipate).
- The SHIFT/RESET key is pushed after the last reset attempt.

The setting of parameter L5-02 determines whether the fault output (MA-MB) will be closed during an auto restart attempt. The setting of L5-02 can be important when interfacing the Drive with other equipment.

The following faults will allow the Auto Restart function to initiate:

- OC (Overcurrent)
- LF (Output Open Phase)
- PF (Input Phase Loss)
- PUF (DC Bus Fuse)
- OL1 (Motor Overload)
- OL3 (Overtorque)
- OL2 (Drive Overload)
- OV (DC Bus Overvoltage)
- GF (Ground Fault)
- UV1 (DC Bus Undervoltage)
- OH1 (Overheat)

In order for auto restart after a UV1 fault, Momentary Power Loss Ride-thru must be enabled (L2-01= “1: PwrL Ride Thru t”, or “2: CPU Power Active”). Setting H2-01 or H2-02 equal to “1E” configures a digital output as “Restart Enabled” to signal if an impending auto restart is possible.

◆ L6 Torque Detection

■ L6-01 Torque Detection Selection 1

Setting	Description
0	Disabled (<i>factory default</i>)
1	OL@SpdAgree - Alm
2	OL At Run -Alm
3	OL@SpdAgree - Flt
4	OL At Run - Flt
5	UL@SpdAgree - Alm
6	UL at Run - Alm
7	UL@SpdAgree - Flt
8	UL At Run - Flt

■ L6-02 Torque Detection Level 1

Setting Range: 0 to 300% of Drive rated output current

Factory Default: 15% of Drive rated output current

■ L6-03 Torque Detection Time 1

Setting Range: 0.0 to 10.0 Seconds

Factory Default: 10.0 Seconds

The Drive can be programmed to indicate when either an overtorque or an undertorque conditions exist. A digital output must be programmed for “Torque Detection”, (H2-01/H2-02= “B: Trq Det 1 N.O.” or “17: Trq Det 1 N.C.”). A warning of an overtorque condition can indicate a jam and an undertorque condition can indicate a broken belt, no water in a pump, or other loss of load.

To configure Torque Detection requires the following decisions:

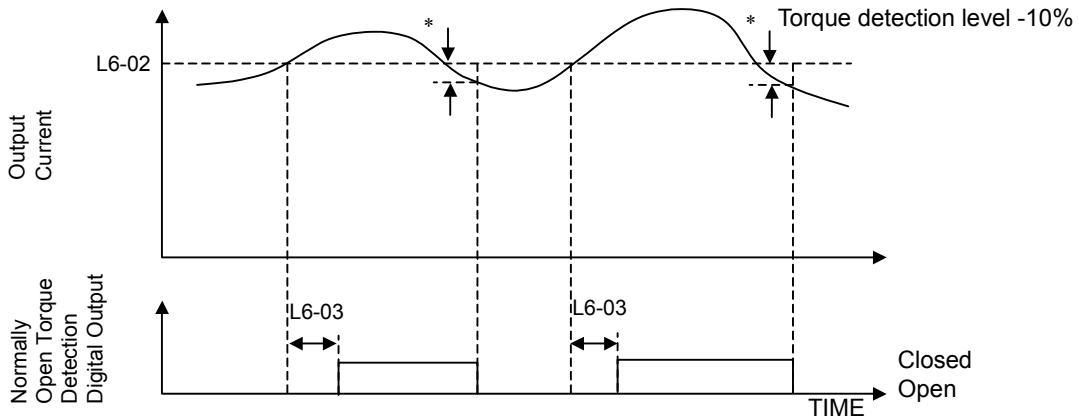
1. Do you wish to check for an overtorque condition or an undertorque condition?
2. Do you wish to check for the torque condition whenever the Drive is running or only at speed agree? Nuisance detection during acceleration, when variable torques are normally required, can be avoided.
3. Do you want the Drive to fault if the torque condition is detected or only alarm and continue operation?

The following table can help choose the proper setting for Torque Detection Selection 1 to get the wanted results.

L6-01 Setting	Overtorque	Undertorque	Fault	Alarm	Always Detected	Only Detected @ Spd Agree
0	Torque Detection Disabled					
1	X			X		X
2	X			X	X	
3	X		X			X
4	X		X		X	
5*		X		X		X
6		X		X	X	
7		X				X
8		X			X	

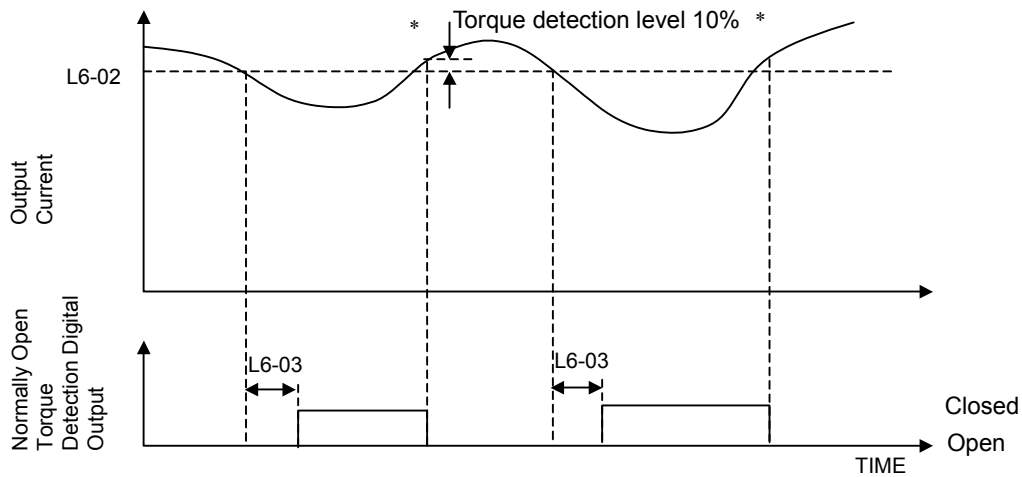
*Suggested settings for Loss of Load indication

After selecting the proper detection scheme the Torque Detection Level (L6-02) must be specified. If the current level read by the output current transformers rises above (overtorque) or drops below (undertorque) this level, and remains there for at least the Torque Detection Time (L6-03), then the Torque Detection Function will change the state of any digital output configured for Torque Detection (H2-01/H2-02= "B: Trq Det 1 N.O.", or "17: Trq Det 1 N.C.").



* When the output current drops below the Torque Detection Level by approximately 10% of the Drive's rated output current the digital output is reset.

Fig 5.36 Over Torque Detection



* When the output current rises above the Torque Detection Level by approximately 10% of the Drive's rated output current the digital output is reset.

Fig 5.37 Under Torque Detection

◆ L8 Hardware Protection

■ L8-01 Internal Dynamic Braking Resistor Protection Selection

Setting	Description
0	Not Provided (<i>factory default</i>)
1	Provided

This parameter is not applicable for Drive operation.

■ L8-02 Overheat Pre-Alarm Level

Setting Range: 50 to 130°C

Factory Default: 95°C

■ L8-03 Overheat Pre-Alarm Operation Selection

Setting	Description
0	Ramp to Stop (Decel Time C1-02)
1	Coast to Stop
2	Fast-Stop (Decel Time C1-09)
3	Alarm Only
4	OH Alarm and Reduce (<i>factory default</i>)

The Drive is capable of warning the operator of an impending heatsink over-temperature fault via an OH pre-alarm. The level at which the pre-alarm will activate is determined by the setting of parameter L8-02. Measurement of the heatsink temperature is done with several strategically mounted thermistors. If any of the heatsink thermistors measure a temperature in excess of the setting of L8-02, the Drive will fault (OH2) and either: ramp to stop using the C1-02 deceleration rate (L8-03= “0: Ramp to Stop”), coast to stop (L8-03= “1: Coast to Stop”), ramp to stop using the C1-09 fast stop deceleration rate (L8-03= “2: Fast-Stop”), alarm (OH) and continue running (L8-03= “3: Alarm Only”), alarm (OH) and continue running but at a reduced speed (L8-03= “4: Alarm & Reduce”). If L8-03= 4: Alarm and Reduce, the Drive will continue to run but will reduce the speed to the level determined by parameter L8-19. Refer to the description for parameter L8-19.

If a digital output is configured for OH Prealarm (H2-01= “20: OH PreAlarm”), it will close whenever the heatsink temperature is greater than the L8-02 level no matter what the setting is of L8-03.

■ L8-10 Heatsink Cooling Fan Operation Selection

Setting	Description
0	Fan On-Run Mode (<i>factory default</i>)
1	Fan Always On

■ L8-11 Heatsink Cooling Fan Operation Delay Time

Setting Range: 0 to 300 Seconds

Factory Default: 300 Seconds

Parameters L8-10 and L8-11 allow the Drive programmer to customize the heatsink cooling fan operation. Parameter L8-10 determines whether the cooling fans are always ON whenever the Drive is powered (L8-10= “1: Fan Always On”) or if the cooling fans are only ON when the Drive is in a Run condition (L8-10= “0: Fan On-Run Mode”).

Parameter L8-11 is a delayed OFF for the cooling fan if L8-10= “0: Fan On-Run Mode”. When the cooling fans are set to turn OFF when the Run command is removed, parameter L8-11 will cause the fans to continue cooling the Drive for the amount of time programmed into L8-11 after the Run command is actually removed. The Drive can be programmed to allow the cooling fan to run for up to 5 minutes (factory default) after the run command is removed.

Both parameters are intended to extend fan life while still providing sufficient cooling for proper Drive operation.

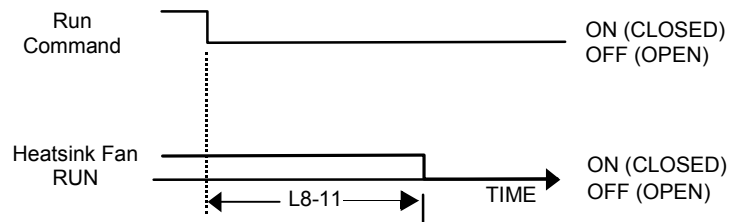


Fig 5.38 Heatsink Cooling Fan Operation Timing Diagram

■ L8-19 Overheat Frequency Reference Reduction Level

Setting Range: 0.0 to 100.0% of maximum frequency

Factory Default: 20.0% of maximum frequency

When the heatsink temperature reaches the OH Pre-alarm level (L8-02) and the Overheat Pre-Alarm Operation Selection parameter is set for Alarm and Reduce (L8-03= “4: OH Alarm & Reduce”), the L8-19 parameter sets the amount of speed decrease that will be applied to the Speed Command in order to lower the heatsink temperature. The decrease in speed will lower the current being switched and conducted by the heat producing output transistors of the Drive.

Parameter L8-19 is set in percentage of maximum frequency (E1-04).

◆ o1 Monitor Configuration

■ o1-01 User Monitor Selection

Setting Range: 6 to 53

Factory Default: 6

Setting	Description
6	Output Voltage (<i>factory default</i>)
7	DC Bus Voltage
8	Output Power
10	Input Terminal Status
11	Output Terminal Status
12	Drive Operation Status
13	Cumulative Operation Time
14	Software Number
15	Terminal A1 Input Voltage
16	Terminal A2 Input Voltage
18	Motor Secondary Current (I_q)
20	Output Frequency After Soft Start
24	PI Feedback Value
28	CPU Number
34	First Parameter Causing an OPE
36	PI Input
37	PI Output
38	PI Setpoint
39	Memobus Communication Error Code
40	Heatsink Cooling Fan Operation Time
51	Auto Mode Frequency Reference Value
52	Hand Mode Frequency Reference Value
53	PI Feedback 2 Value

■ o1-02 Power-On Monitor

Setting	Description
1	Frequency Reference (<i>factory default</i>)
2	Output Frequency
3	Output Current
4	User Monitor (set by o1-01)

When the Drive is powered up, the display monitor is the “Power-On” monitor. The factory default “Power-On monitor” is Speed Command (U1-01). Pressing the INCREASE key once scrolls the monitors to show the next two sequential monitors, Output Frequency (U1-02), Output Current (U1-03) and User Monitor as selected by o1-01. The factory default for o1-01 is the Output Voltage, monitor (U1-06).

The active monitor displayed when the Drive is powered on can be changed to either be U1-01 (Speed Command), U1-02 (Output Frequency), U1-03 (Output Current), or the User Monitor.

For example, if the Drive needs to display the Elapsed Timer as the Power-On monitor, then o1-01 must be set to “13” and o1-02 must be set to “4”. The next time Drive power is cycled, the digital operator displays U1-13 (Elapsed Time).

■ o1-03 Digital Operator Display Scaling

Setting	Description
0	Hz (<i>factory default</i>)
1	%
2 - 39	RPM (Enter the # of Motor Poles)
40 - 39999	User Display

Parameter o1-03 allows the programmer to change the units in which the speed monitors and some speed parameters are displayed. The o1-03 parameter will change the units of the following:

- U1-01 (Frequency Reference Monitor)
- U1-02 (Output Frequency Monitor)
- U1-20 (Output Frequency after Soft Start)
- d1-01 through d1-17 (Preset Frequency References and Jog Reference)

The table below details how the setting of o1-03 will affect the way the listed monitors and parameters will be displayed.

If o1-03 is:	The frequency format is
0	0.01 Hz
1	0.00%
2 through 39 (enter the # of motor poles)	0RPM
40 through 39999	Engineering Units

The factory default setting (o1-03= “0”) sets the Drive up to display the affected monitors and parameters in terms of hertz (Hz).

If the speeds seem more natural in terms of percentage of maximum, set o1-03= “1”. If the speeds are easier to work with when displaying the equivalent synchronous motor RPM, set o1-03= [the number of motor poles]. If another engineered unit, such as fpm or gpm, is desired, set o1-03= xxxx where:

X X X X X

Digit 5 Digit 4 Digit 3 Digit 2 Digit 1

Digits 1 through 4 set the desired number to be displayed at 100% speed.

Digit 5 determines the number of decimal places in the displayed number.

If Digit 5 = 0	number format is XXXX
If Digit 5 = 1	number format is XXX.X
If Digit 5 = 2	number format is XX.XX
If Digit 5 = 3	number format is X.XXX

For example:

If o1-03= 10425, then at full speed the digital operator will display “42.5”. Configuring parameter o1-03 for displaying in terms of an engineering unit is only appropriate if the actual display units have a linear relationship with the actual output speed.

■ o1-05 LCD Contrast Adjustment

Setting Range: 0 to 5

Factory Default: 3

The contrast setting of the LCD display of the digital operator can be adjusted by the setting of parameter o1-05. The higher the number programmed into o1-05, the darker the background will become. Set o1-05 to the value that makes the LCD the easiest to view at the normal viewing distance and angle.

■ o1-06 User Monitor Selection Mode (Optional LCD Operator only)

Setting	Description
0	3 Mon Sequential (<i>factory default</i>)
1	3 Mon Selectable

■ o1-07 Second Line User Monitor (Optional LCD Operator only)

Setting Range: 1 to 53

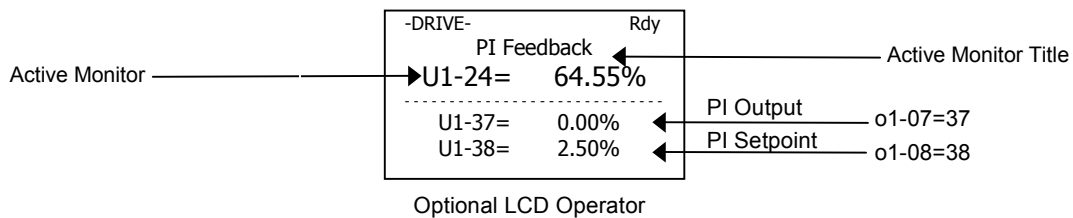
Factory Default: 2

■ o1-08 Third Line User Monitor (Optional LCD Operator only)

Setting Range: 1 to 53

Factory Default: 3

Normally the monitors shown directly below the active monitor are the next two sequential monitors. If o1-06 (User Monitor Selection Mode) is set to “1: 3 Mon Selectable”, those two monitors are locked as specified by parameters o1-07 and o1-08 and will not change as the top parameter is scrolled with the INCREASE and DECREASE keys.



For Example:

The Display above showing PI Feedback, PI Output and PI Setpoint would be useful when setting up a PI Control Loop.

◆ o2 Key Selections

■ o2-03 User Parameter Default Value

Setting	Description
0	No Change
1	Set Defaults
2	Clear All

The Drive gives the option of configuring any and all of the programming parameters and then saving the parameters as “User Initialization Values”. After configuring the Drive, set parameter o2-03= “1: Set Defaults”, to save the parameters to a User Initialization memory location. Once this has been done, the “Initialize Parameters” parameter (A1-03) will offer the choice of “1110:User Initialize”. Choosing A1-03= “1110: User Initialized”, will reset all modified parameters back to what they were the last time they were saved using o2-03.

The choice of setting A1-03= “1110: User Initialized”, is unavailable until first setting the User Initialization parameters using o2-03. Once a User Initialization is set (saved), it can be cleared by setting o2-03= “2: Clear All”. After clearing the User Initialization parameters, the choice of “1110: User Initialize” is no longer a available in A1-03.

■ o2-05 Frequency Reference Setting Method Selection

Setting	Description
0	Disabled
1	Enabled (<i>factory default</i>)

The factory default setting of the Frequency Reference Setting Method parameter (o2-05= “1: Enabled”) dictates that when setting a Speed Command via the digital operator (“Hand” mode), it is not necessary to press the DATA/ENTER key before the Drive will begin to accelerate or decelerate to the new set speed. This is referred to as MOP (Motor Operated Potentiometer) type functionality. When o2-05= “1: Enabled”, the speed command is stored to memory 5 seconds after the INCREASE or DECREASE keys are released.

When o2-05= “0: Disabled”, the digital operator INCREASE and DECREASE keys will change the speed command but the Drive will not accelerate or decelerate to the new speed command until the DATA/ENTER key is pressed. In order to change the Speed Command in the HAND mode, U1-01 must be the top monitor and then the ENTER key must be pressed in order to access the Speed Command function. This in not to be confused with pressing the ENTER key in order to achieve a change in speed using the INCREASE and DECREASE keys, which is the subject of parameter o2-05.

■ o2-06 Operation Selection when Digital Operator is Disconnected

Setting	Description
0	Disabled
1	Enabled (<i>factory default</i>)

Leaving o2-06 enabled will cause the Drive to fault, when the digital operator is removed, even if it's not outputting to the motor. The reset key on the digital operator will need to be pressed after reconnecting the digital operator to reset the fault and continue normal operation.

If o2-06 = "0: Disabled" then the Drive will not fault if the digital operator is disconnected, but the Drive will discontinue motor operation. If full Drive operation is required while the digital operator is removed set o2-06 = "0: Disabled" and o2-15 = "0: Disabled" (Hand Key Function). If both o2-06 and o2-15 are disabled then the digital operator can be disconnected without disturbing Drive operation.

■ o2-07 Cumulative Operating Time Setting

Setting Range: 0 to 65535 Hours

Factory Default: 0 Hours

■ o2-08 Cumulative Operation Time Selection

Setting	Description
0	Power-On Time
1	Running Time (<i>factory default</i>)

The Drive features an Elapsed Timer monitor that records in units of hours. The Elapsed Timer monitor is U1-13. Parameter o2-08 programs this function to either accumulate elapsed hours based on time the Drive is powered (o2-08= "0: Power-On Time") or time the Drive is running (o2-08= "1: Running Time"). The Drive is considered "running" anytime there is an active run command or when the Drive is outputting voltage (i.e. including during deceleration).

Parameter o2-07 allows manual adjustment of the Elapsed Timer, primarily to accommodate maintenance or control board replacement in the event of damage. To reset the Elapsed Timer back to zero, set o2-07= 0.

■ o2-10 Cumulative Cooling Fan Operation Time Setting

Setting Range: 0 to 65535 Hours

Factory Default: 0 Hours

The elapsed time of heatsink cooling fan operation is tracked by the U1-40 monitor. Much like the o2-07 parameter can be used to adjust or reset the Drive operation elapsed timer, parameter o2-10 can be used to adjust the time displayed by the U1-40 monitor in the event of fan replacement.

■ o2-12 Fault Trace / Fault History Clear Function

Setting	Description
0	Disabled (No Effect) (<i>factory default</i>)
1	Enabled

The operator can clear the Fault Trace (U2) and Fault History logs by setting o2-12= “1: Enabled”. Clearing the Fault Trace and Fault History logs erases all the information.

■ o2-14 kWh User Monitor Initialization

Setting	Description
0	Disabled (No Change) (<i>factory default</i>)
1	Clear All

The kWh monitors (U1-29 and U1-30) track the power usage of the Drive and are not reset by powering down the Drive. To reset the monitors back to zero, set o2-14= “1: Clear all”.

◆ o3 Digital Operator Copy Function

■ o3-01 Copy Function Selection

The membrane over the Drive keypad also makes the keypad non-removable on Bypass units. In order to use the keypad copy function on a Bypass unit - order a separate keypad, part number CDR001115 and obtain locally a standard CAT 5 Ethernet cable.

Note: The copy function is disabled when serial communication is active.

Setting	Description
0	COPY SELECT (<i>factory default</i>)
1	INV→OP READ
2	OP→INV WRITE
3	OP↔INV VERIFY

■ o3-02 Read Allowed Selection

Setting	Description
0	Disabled
1	Enabled (<i>factory default</i>)

The digital operator has parameter COPY capabilities via built in non-volatile memory. The digital operator can READ all of the parameters in the Drive and store them for later WRITE back to the Drive or into a Drive with the same product code and software number. In order to read the parameter values and store them in the digital operator, select o3-02= "1: Enabled". If you attempt to READ the data, which overwrites any previously stored data, without first setting o3-02= "1: Enabled", you will get a PrE error.

After setting o3-02= "1: Enabled", it is possible to store parameter values in the digital operator by setting o3-01=1 (INV→OP READ).

A successful READ of the parameter values will display rEd.

An error may occur while saving the parameter values to the digital operator's memory. If an error is displayed, press any key to cancel the error display and return to parameter o3-01. To COPY parameter values into a Drive, set o3-01= "2: OP->INV WRITE". During the writing of the parameter values into the Drive the digital operator will display CPy.

An error may occur while writing the parameter values to the Drive. If an error is displayed, press any key to cancel the error display and return to parameter o3-01.

It is possible to compare the parameter values stored in the digital operator with the parameter values currently in the Drive by using the VERIFY function. This VERIFY function should not be confused with the "-VERIFY-" that is displayed on the digital operator when viewing the "Modified Constants" menu. To VERIFY the parameter values in the Drive as compared with those stored in the digital operator, set o3-01= "3: OP<-->INV VERIFY". During the comparing of the parameter values into the Drive the digital operator will display uFy.

If all the parameter values stored in the digital operator do not match those programmed in the Drive, the digital operator displays the following uYE.

The digital operator will not display which parameters did not match, only that the verification found discrepancies in some parameter values.

NOTE: In order to properly use the COPY or VERIFY functions, the following Drive specifications must be identical between the Drive that the parameters were read from and the Drive that the parameters are to be written to:

- Model Number (e.g. CIMR-E7U2015)
- Software Number (e.g. 03011 also known as FLASH ID)

Yaskawa offers DriveWizard™ software that can also READ, COPY, and VERIFY Drive parameter values. DriveWizard™ lists all discrepancies between the Drive and a pre-saved parameter file when verifying is performed.

To use DriveWizard first select o2-15= “0: Disabled” and select o2-06= “0: Disabled” then remove the digital operator/keypad and attach the DriveWizard cable in its place.

◆ T1 Auto-Tuning

Auto-Tuning can only be accomplished through the DriveWizard software (Part Number DWST616-C2). Available by download from www.drives.com.

■ T1-02 Motor Rated Power

Setting Range: 0.00 to 650.00 kW
Factory Default: Model Dependent

■ T1-04 Motor Rated Current

Setting Range: Model Dependent
Factory Default: Model Dependent

Auto tuning is recommended to achieve optimum performance. In addition, the Drive requires Line-To-Line Resistance auto-tuning before it can properly perform the Estimated Speed Search method. This method of speed search allows for bi-directional speed search. The T1 parameters are found under the Auto-Tuning menu.

■ Auto-Tuning Using DriveWizard

DriveWizard is a PC software program designed to provide the tools necessary to handle Drive installation as well as parameter record keeping and maintenance. As such it provides an Auto-Tuning method for Drives in Bypass units. The Auto-Tuning function “tunes” the Drive setup to the characteristics of the specific motor to which it is applied. Auto-Tuning is essential if bi-directional Speed Search is required and enabled for the application.

DriveWizard can be obtained either through CD or www.Drives.com. Follow the installation procedures provided with the software.

With the DriveWizard software loaded onto a PC, connect a standard CAT 5 Ethernet cable from the PC’s RS-232 port (with a DB-9 to CAT 5 adaptor) to the digital operator/keypad port on the Drive. Before disconnecting the digital operator/keypad from the Drive, set parameter **o2-06** (“Oper Detection”) to “0:disabled”. This will allow the Drive to continue running with the digital operator/keypad removed.

Start DriveWizard and setup the PC communications by setting the appropriate communications port and Baud rate. Typical settings are Com Port 1 and 9600 Baud.

Once the communications port is set, connect to the Drive by clicking on the pull-down menu “Inverter” and selecting “Connect.” [This can also be done by typing Ctrl+C on your keyboard, or by clicking on the yellow icon resembling two puzzle pieces.] This will upload all of the current parameters in the Drive to the computer as a working parameter file.

At this point the parameters can be saved as a backup file if desired. [DriveWizard is a third method of saving the complete parameter list and user settings. In addition to the “User Parameters” (**o2-03**) and “Keypad Copy” (**o3-01**) functions discussed in this chapter, DriveWizard can be employed to maintain a downloadable list of the Drive parameter set up on a PC, for backup or transfer to other drives.]

Auto-Tuning is performed by selecting the Auto-Tuning function from the “Inverter” pull-down menu. DriveWizard will ask you to verify that the motor is in a safe operating condition, and then ask you to enter two parameters. DriveWizard will ask you to fill in parameters **T1-02** “Mtr Rated Power” and **T1-04** “Rated Current”. After this data has been entered, click on the “Load” button to enter these values into the Drive memory. The “Start” button will become available, click on “Start” to begin the auto-tuning process. While Auto-Tuning is running the Drive output current and frequency will be displayed, the flashing green light indicates DriveWizard is communicating with the Drive. When complete, DriveWizard will have auto-tuned the Drive, adjusted several motor related parameters and the Drive will be ready for optimum performance for bi-directional Speed Search and other functions.

Chapter 6

Diagnostics & Troubleshooting

This chapter describes diagnostics and troubleshooting for the Drive and Bypass.

E7N Bypass PCB and H/O/A Control Panel Diagnostics	2
Introduction	2
Specifications.....	2
Set Up for Maintenance Mode.....	2
Testing	3
Drive Diagnostics	6
Fault Detection	7
Alarm Detection	13
Operator Programming Errors (OPE)	16
Auto-Tuning Faults	17
Digital Operator COPY Function Faults	18
Drive Troubleshooting	19
If Parameter Cannot Be Set	19
If the Motor Does Not Operate	20
The Direction of the Motor Rotation is Reversed	21
If the Motor Does Not Put Out Torque or If Acceleration is Slow	21
If the Motor Operates at a Higher Speed Than the Speed Command	21
If the Motor Overheats	22
If Peripheral Devices Like DDCs or Others are Influenced by Starting or Running Drive	22
If a “Stand Alone” Ground Fault Interrupter Operates When the Drive is Run	23
If There is Mechanical Vibration	23
If the Motor Rotates Even When Drive Output is Stopped	24
If Zero Volts is Detected When a Motor is Started, or Stalls	24
If the Accepted Speed Command Does Not Rise to the User Speed Command Input	24
Drive Main Circuit Test Procedure	25
Drive Date Stamp Information	29

E7N Bypass PCB and H/O/A Control Panel Diagnostics

◆ Introduction

This section describes a quick and systemic approach in troubleshooting of an E7N Bypass panel and PCB A2. The only additional testing device needed will be a DVM to verify the PCB A2 interactions and connections to other devices in the E7N Bypass panel. The bypass control card (PCB A2) provides the capability to test and monitor all the panel, Drive, user and option wiring efficiently. Thus a bad control card can be detected and replaced, or eliminated from consideration, very rapidly.

Before starting the procedure below, follow routine troubleshooting tests around the offending section to detect possibly faulty components. For example, if a contactor is not picking up or a blower is not running, measure the voltage across the device. If the Drive is not working properly, check the keypad and verify that the Drive does not have an internal fault (external faults might be caused by bypass system and will be resolved later in this section). If the problem is more complex, such as a Bypass not responding or the interaction between the PCB A2 and the Drive is not normal, then the procedure in this section will help resolve the issue.

◆ Specifications

Inputs:

- TB1 pins 1-6: 6 x 24VDC±15% / 4mA or 120VAC±15% / 4mA, Auto-Detect
- CN104 pins 2-5: 4 x 120VAC±15% / 4mA
- CN109 pin 5: 1 x 120VAC±15% / 4mA
- CN110 pins 21-26: 6 x 3VDC-5.5VDC / 2.7-5mA
- CN102 pins 2, 3, 30, 32, 34: 5 x 15-27VDC / 4.2-7.5mA
- CN113 pins 2-13: 12 x 3-5VDC / 2mA (1, 6, 7, 8: Inputs Only)

Outputs:

- TB1 pins 10-14: 2 x 120VAC±15% / 5A
- TB2 pins 1-6: 2 x 120VAC±15% / 5A
- CN105 pin 1: 1 x 120VAC±15% / 5A
- CN107 pins 1 and 3: 2 x 120VAC±15% / 5A
- CN109 pins 1 and 3: 2 x 120VAC±15% / 5A
- CN108 pin 1: 1 x 120VAC±15% / 5A
- CN110 pins 1-17: 17 x 3-26VDC / 25mA
- CN102 pins 19-26, 28: 9 x 15-27VDC / 10mA
- CN113 pins 2-5, 9-13: 10 x 3-5VDC / 2mA

Fusing: F101/6.25A (10A-max), F102/0.25A (3A-max)

◆ Set Up for Maintenance Mode

Power down the panel and wait for the Drive keypad display to extinguish.

Set the DIP switch S2, position 3 (referred to as S2-3 from now on) to the ON position to activate the system “Maintenance Mode.”

◆ Testing

Test all the fuses in the panel, including the two on the bypass control PCB A2.

CAUTION

In maintenance mode, all power or control systems connected to the bypass panel such as motors or controls will be energized for a couple of seconds to allow the wiring to be tested. If this is not desirable, these wires should be disconnected from the panel prior to any maintenance mode testing.

Power up the system and verify that for approximately 2 seconds, all the LEDs are lit on the H/O/A keypad. If this does not occur, the H/O/A keypad, its cable or the Bypass control PCB is defective. Temporarily swap them, one by one, with known working components to find the source of the problem.

This procedure is based on a properly wired and functioning Bypass control PCB. Before any testing, verify that all three LEDs on the card are lit brightly (if not, re-check the fuses on the PCB and security of connections): D1 (DRV_OK) monitors the Drive connection and power status; D56 (VKP_OK) monitors the keypad connection and power status; D61 (VCC_OK) monitors the control PCB power status.

After the 2 second initial period, LEDs on the keypad go off and start to cycle sequentially with approximately a 2 second interval. Also, the control PCB A2 relays K1 to K10 along with all the Drive command outputs to Drive terminals S1, S2, S4 and S5 will start cycling concurrently with the keypad LEDs. Both the Motor-Overload-Relay (CN109/5) input and Safety Interlock input (TB1/1) must be activated. This is done as a safety precaution for the connected power systems. Verify that K1 to K10 are cycling by monitoring the connected devices such as contactors, cabinet blowers and any customer wired outputs. Cycling of the Drive input commands to Drive terminals S1, S3-S5 can be verified through the Drive keypad by monitoring U1-10. The first and third to fifth digits should cycle with half the speed of the bypass keypad LEDs.

Test the H/O/A keypad itself for properly functioning of LEDs and switches. To test the LEDs, either all the LEDs should light up for 2 seconds at power up or, during the cyclic rotation, each of them should light up sequentially. To test the switches, press any key, the cycling of the LEDs should be interrupted for as long as any of the switches is pressed. This will test the entire keypad and its cable connections.

Independent from the sequential cycling, the LEDs will blink if the associated inputs are activated. If an LED is blinking due to a specific input activation, it will be lit for 2 seconds at its turn in the sequence, then resume blinking. This enables monitoring of every input to the system regardless of its origin: drive, user, panel, or options.

Connector Port/Pin	Assigned Function	Keypad LED
TB1-2	Auto-Run	Auto-Run-Mode-Enabled
TB1-3	Damper/BAS	Damper/BAS-Enabled
TB1-4	Remote-Transfer	Auto-Transfer-Enabled
TB1-5	Smoke-Purge	Smoke-Purge-Enabled
TB1-6	Spare	Bypass-Mode-Selected
CN104/2	Future expansion	Bypass-Run-Enabled
CN104/3	Future expansion	Off-Mode-Enabled
CN104/4	Future expansion	Auto-Mode-Enabled
CN104/5	Future expansion	Hand-Mode-Enabled
CN102/30	Drive-M3/M4 (COMM)	Drive-Mode-Selected
CN102/32	Future expansion	Drive-Ready-Enabled
Internal	On-Board-MCU/NVRAM	Drive-Test-Mode-Enabled

Four inputs are excluded from this process, they do not cause any LEDs to blink. They have LEDs on the keypad that monitor the status independently:

- Motor-Overload-Relay input at CN109/5
- User-Safety-Interlock input at TB1/1
- Drive-Fault-Relay input at CN102/2
- Drive-Run-Relay input at CN102/3

If testing of the Drive digital outputs is required, these two outputs can be set to a normally active function on the Drive keypad (H2-01 or H2-02 set to 1 (Zero Speed) or 6 (Ready) for example) in order to be monitored on the bypass H/O/A keypad.

Problem or Fault	Solution
Panel/Drive ON, Bypass dead.	Check the fuse F101. Verify the power to PCB LEDs.
Any or all the user digital I/O at TB1 are not accepted.	Test the user-side wiring/circuitry. If it is OK, test the control PCB. Check J1, S2/7-8 and fuse F102. If external supply used, check the voltage levels. All either 24VDC or all 120VAC, ±10% safe area, no mixing.
Drive TB3/TB5 I/O not OK.	Test the Drive functions/wiring only.
No motor-run in Hand mode.	Check S4-3 to be off. Maybe in Start/Stop Option mode.
Runs the motor at power up.	Check S2-2 to be off. Check TB1-2 and S2-1.
Blinks the LEDs and/or recycles relays/ outputs.	Check S2-3 to be off. Maybe in Maintenance mode.
Drive reads no analog signal.	Check S1-2, S1-3 and S1-4. Check the Drive parameters (see Table 5.2).
Shuts down the Drive and/or the motor by itself and does not run anymore.	Very noisy area or unstable power. If long wiring is present from customer side, try setting J1 to position 2-3 and supply control power externally. Add RC filters to TB1-1 through 6 and/or use shielded cables. Recycle the power.
Powers up to Off mode.	Check S2-2 to be on and S4-4 to be off.
All LEDs always lit.	Check keypad wiring. Bad board and/or voltage.
Off mode locked and Auto or Hand mode not working.	If Power LED blinks, check keypad wiring and recycle the power. Replace the H/O/A keypad and/or its cable.
D56 (VKP_OK) LED is off, keypad is dead.	Check the keypad cable and wiring. Replace the H/O/A keypad and/or its cable.
Does not go back to Drive mode when Drive fault is reset.	Check S2-1 to be ON. Check the Drive and its wiring.
Control Power LED blinks and motor cannot run.	Bad keypad or unstable power. Recycle the power and check the keypad and its connection. Replace H/O/A keypad.
Switches to bypass mode by itself after Drive run command. Drive will not run.	Drive is not responding properly. Check the drive, cable and connections. Recycle the power.
The options wired to CN104/1-3 are not working.	Check S4-3 to be ON. Check the fuse F102.
The options wired to CN104/4-6 are not working.	Check S4-1 to be ON. Check the fuse F102.
The motor select input at TB1-6 is not working.	Check CN104/4 and 5 to both be inactivated. Check the fuse F102.
Stays in bypass mode and does not accept any Drive command.	Check TB1-4 and 5 to be off. Check the Drive connections. Recycle the power, bad PCB A2.
Drive analog outputs always at max, off or very low.	Check J2 and J3 jumpers are not missing and in right position (1-2 for I, 2-3 for V), check the H4 parameters.
Drive or Bypass begins to run when Auto is pressed; with no contact closure at TB1-2.	Check programming of parameter H2-02. This parameter must be set to “3B: Run Src Com/Opt” for all E7N units. See Table 5.1.

The overall layout of PCB A2 is shown in Figure 6.1 for further reference.

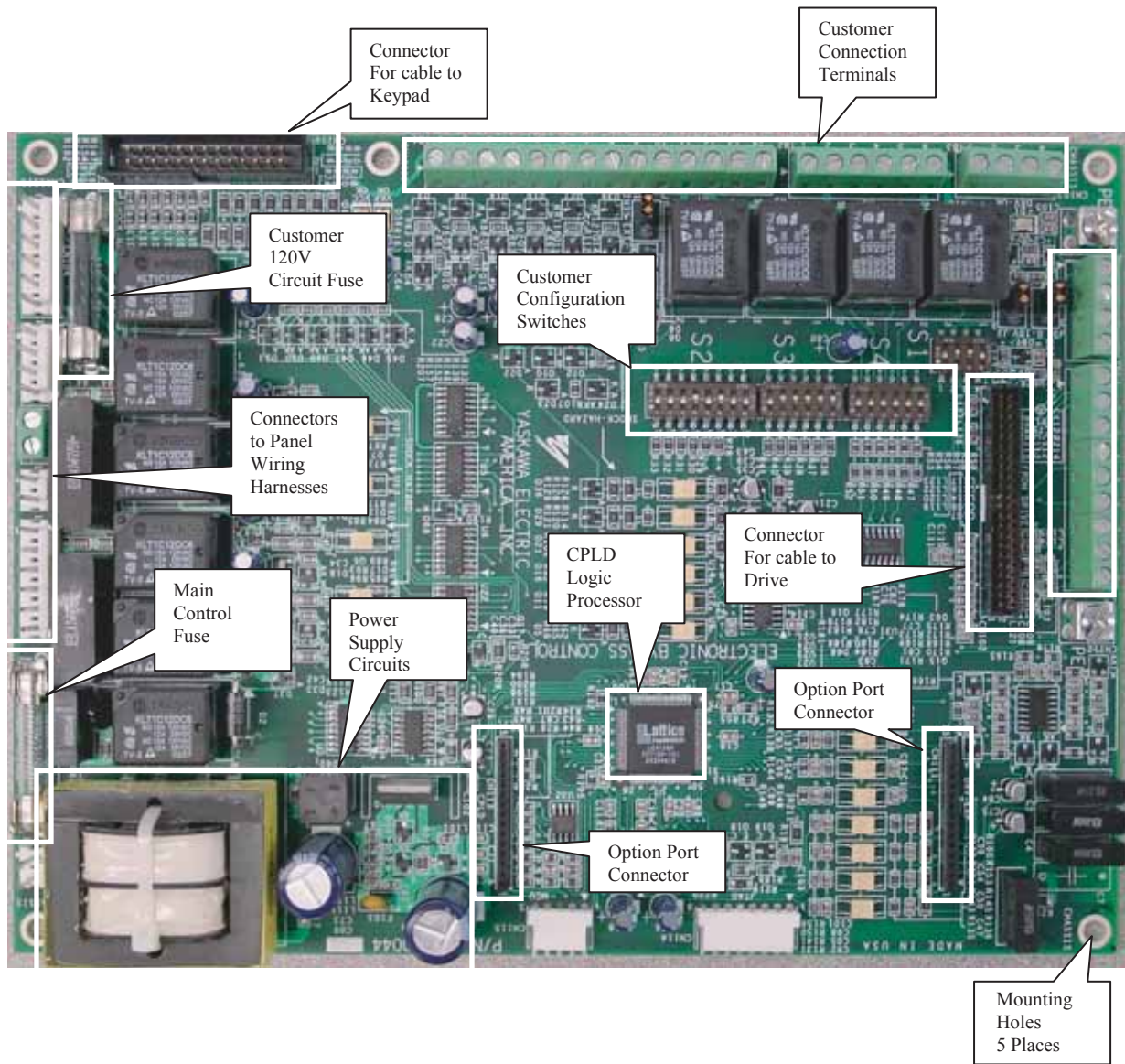


Fig 6.1 Electronic Bypass Control Board Layout

Drive Diagnostics

Drives Technical Support in USA and Canada

Technical Support for Inverters and Drives is available by phone as follows:

Normal: Monday through Friday during the hours of 8 a.m. to 5:00 p.m. C.S.T.

Emergency: After normal hours, 7 days a week including weekends and holidays

To contact Drives Technical Support, please call 1-800-YASKAWA (927-5292).

From the menu, dial 2 for Technical Assistance.

Drives Technical Support can also be reached by e-mail at DriveSupport@yaskawa.com.

Support information, such as technical manuals, FAQs, instruction sheets and software downloads are available at our website, www.yaskawa.com.

When calling for technical support, please have the following materials available:

- The appropriate Technical Manual in hand because the support associate may refer to this.
- Complete nameplate information from the Drive and the motor.
(Confirm that Drive Nameplate Output amps is equal to or greater than Motor Nameplate amps)
- A list with your parameter settings.
- A sketch of the electrical power train, from AC line to motor, including filters and disconnects.

Field Service, Start Up Assistance, Factory Repair, Replacement Parts, and Other Support

Contact Drives Technical Support for help with any of these needs.

Technical Training

Training is conducted at Yaskawa training centers, at customer sites, and via the internet.

For information, visit www.yaskawa.com or call 1-800-YASKAWA (927-5292).

From the phone menu, dial 4 for Product Training.

Support in Other Countries

Yaskawa is a multi-national company with offices and service representation around the world.

To obtain support, always contact the local distributor first for guidance and assistance.

Contact the closest Yaskawa office listed for further assistance.

◆ Fault Detection

When the Drive detects a fault, the fault information is displayed on the digital operator, the fault contact closes, and the motor coasts to stop. (However, a fault with selectable stopping method will operate according to the stopping method selected.)

- If a fault occurs, take appropriate action according to the table by investigating the cause.
- To restart, reset the fault with any of the following procedures:
 - Turn ON the fault reset signal.
 - Set “14: Fault Reset” to a multi-function digital input (H1-01 to H1-05).
 - Press the RESET key of the digital operator.
 - Shut off the Drive input power once, and then turn on again.

WARNING

The Run Command (Start Command) needs to be removed prior to resetting a fault. Resetting a fault by removing and reapplying power to the Drive while the Run Command is applied, may cause the Drive to start unexpectedly. Therefore, make sure all personnel are clear from the Drive, motor, and machine prior to resetting the Drive.

Table 6.3 Fault Displays and Processing

Digital Operator Display	Description	Cause	Corrective Action
BUS Option Com Err	Option Communication Error After initial communication was established, the connection was lost.	Connection is broken, master has stopped communicating.	Check all connections, verify all user-side software configurations.
CE Memobus Com Err	Modbus Communication Error Control data was not received correctly for two seconds.	Connection is broken, master has stopped communicating.	Check all connections, verify all user-side software configurations.
CPF00 COM-ERR(OP&INV)	Operator Communication Fault 1 Transmission between the Drive and the digital operator cannot be established within 5 seconds after supplying power.	Digital operator cable not securely connected, digital operator defective, control board defective.	Remove the digital operator once and then reinstall it.
	External RAM of CPU is defective.	Control circuit damage.	Cycle power off and on to the Drive. Replace the Drive.
CPF01 COM-ERR(OP&INV)	Operator Communication Fault 2 After communication started with the digital operator, a communication fault occurred for 2 seconds or more.	Digital operator cable not securely connected, digital operator defective, control board defective.	Remove the digital operator once and then reinstall it.
			Cycle power off and on to the Drive.
			Replace the Drive.
CPF02 BB Circuit Err	Baseblock Circuit Fault Baseblock circuit fault at power-up	Gate array hardware failure during power-up.	Perform a factory initialization.
			Cycle power off and on to the Drive.
			Replace the control board.
CPF03 EEPROM Error	EEPROM Fault EEPROM fault, check sum not valid	Noise or spike on the control circuit input terminals.	Perform a factory initialization
			Cycle power off and on to the Drive.
			Replace the control board.

Table 6.3 Fault Displays and Processing (Continued)

Digital Operator Display	Description	Cause	Corrective Action
CPF04 Internal A/D Err	CPU Internal A/D Converter Fault	Noise or spike on the control circuit input terminals.	Perform a factory initialization.
			Cycle power off and on to the Drive.
			Replace the control board.
CPF05 External A/D Err	CPU External A/D Converter Fault	Noise or spike on the control circuit input terminals.	Perform a factory initialization.
			Cycle power off and on to the Drive.
			Replace the control board.
CPF07 RAM-Err	ASIC Internal RAM Fault (RAM)	---	Cycle power off and on to the Drive.
		Control circuit damage	Replace the Drive.
CPF08 WAT-Err	Watchdog Timer Fault (WAT)	---	Cycle power off and on to the Drive.
		Control circuit damage	Replace the Drive.
CPF09 CPU-Err	CPU-ASIC Mutual Diagnosis Fault (COY)	---	Cycle power off and on to the Drive.
		Control circuit damage	Replace the Drive.
CPF10 ASIC-Err	ASIC Version Fault (ASIC)	Control circuit damage	Replace the Drive.
CPF20 Option A/D Error	Option Card Fault	Option card connector connection fault.	Remove all inputs to the option board.
		Option card A/D converter fault.	Perform a factory initialization.
			Cycle power off and on to the Drive.
			Replace the option board.
CPF21 Option CPU Down	Self-diagnosis Fault of Communication Option Card	Noise or spike on the communication line, defective option board.	Perform a factory initialization.
			Cycle power off and on to the Drive.
			Replace the option board.
			Replace the control board.
CPF22 Option Type Err	Communication Option Card Code Number Fault	Unrecognizable option board is connected to the control board.	Remove any option boards.
			Cycle power off and on to the Drive.
			Perform a factory initialization.
			Replace the option board.
			Replace the control board.

Table 6.3 Fault Displays and Processing (Continued)

Digital Operator Display	Description	Cause	Corrective Action	
CPF23 Option DPRAM Err	Communication Option Card Interconnection Fault	An option board is not correctly connected to the control board or an option board that is not made for the Drive is attached to the control board.	Remove power to the Drive.	
			Connect the option board once more.	
			Perform a factory initialization.	
			Cycle power off and on to the Drive.	
			Replace the option board.	
			Replace the control board.	
EF0 Opt External Flt	Communication Option Card External Fault	An external fault condition exists.	Check for an external condition.	
			Verify the parameters.	
			Verify communication signal.	
EF3 Ext Fault S3	External Fault at Terminal S3	An external fault condition exists connected to a multi-function digital input.	Eliminate the cause of an external fault condition.	
EF4 Ext Fault S4	External Fault at Terminal S4			
EF5 Ext Fault S5	External Fault at Terminal S5			
EF6 Ext Fault S6	External Fault at Terminal S6			
EF7 Ext Fault S7	External Fault at Terminal S7			Remove the fault from a multi-function digital input.
FBL Feedback Loss	PI Feedback Loss This fault occurs when PI Feedback Loss Detection is programmed to fault. (b5-12 = 2) and the PI Feedback < PI Feedback Loss Detection Level (b5-13) for the PI Feedback Loss Detection Time (b5-14).			PI Feedback source (e.g. transducer, sensor, building automation signal) is not installed correctly or is not working.
GF Ground Fault	Output Ground Fault Drive output grounding current has exceeded 50% of the Drive rated output current.	Motor lead is shorted to ground, DCCT defective.	Remove the motor and run the Drive without the motor.	
			Check the motor for a phase to ground short.	
			Check the output current with a clamp on meter to verify the DCCT reading.	
LF Output Pha Loss	Output Phase Loss Drive output has an open phase or the motor no load current is below the setting of parameter E2-03.	Open phase on the output on the Drive.	Check output voltage.	
		Loose terminal screws at T1, T2 or T3.	Tighten the terminal screws.	
		Parameter E2-03 set incorrectly.	Adjust E2-03 to a lower value.	

Table 6.3 Fault Displays and Processing (Continued)

Digital Operator Display	Description	Cause	Corrective Action
LL3 Loss of Load Det 1	Loss of Load Detection 1 Drive output current < L6-02 for more than the time set in L6-03	Motor is underloaded.	Ensure the values in L6-02 and L6-03 are appropriate.
			Check application/machine status to eliminate fault.
OC Over Current	Overcurrent Drive output current exceeded the overcurrent detection level (approximately 180% of Drive rated output current).	Shorted Drive output phase to phase, shorted motor, locked rotor, load too heavy, accel/ decel time too short, contactor on the Drive output is opened and closed, a special motor or a motor with a FLA rating larger than Drive rated output current.	Remove the motor and run the Drive without the motor.
			Check the motor for a phase-to-phase short.
			Check the Drive for a phase-to-phase short at the output.
			Verify C1-01 and C1-02 are set correctly.
OH1 Heatsnk MAX Temp	Cooling Fin/Cooling Fin Fan Overheat The temperature of the Drive cooling fin exceeded the temperature programmed in parameter L8-02, and L8-03 = 0-2.	Cooling fan(s) are not working, high ambient temperature, a heat source is too close to the Drive.	Check for dirt build-up on the fans and cooling fins.
	Drive Internal Cooling Fan		Reduce the ambient temperature around the Drive.
OH3 Motor Overheat 1	Motor Overheating Alarm The Drive stops or continues operation according to the setting of L1-03.	Overheating of motor as measured by motor thermistor.	Remove the heating unit. Replace the cooling fan.
			Recheck the cycle time and the size of the load.
			Recheck the accel/decel time (C1-01 and C1-02).
			Recheck the V/F pattern (E1-01 thru E1-13).
OH4 Motor Overheat 2	Motor Overheating Fault The Drive stops operation according to the setting of L1-04.	Overheating of motor as measured by motor thermistor.	Recheck the motor rated current value (E2-01).
			Recheck the cycle time and the size of the load.
			Recheck the accel/decel time (C1-01 and C1-02).
			Recheck the V/F pattern (E1-01 thru E1-13).
OL1 Motor Overloaded	Motor Overload Designed to protect the motor Fully adjustable from parameter E2-01	The load is too large. The cycle time is too short at the accel/decel time.	Recheck the cycle time and the size of the load as well as the times set in C1-01 and C1-02.
		The voltage of the V/F pattern is high.	Review the V/F pattern parameters, E1-01 thru E1-13.
		Motor rated current setting is improper.	Check the motor rated current value in E2-01.

Table 6.3 Fault Displays and Processing (Continued)

Digital Operator Display	Description	Cause	Corrective Action
OL2 Inv Overloaded	Drive Overload Designed to protect the Drive	The load is too large. The cycle time is too short at the accel/decel time.	Recheck the cycle time and the size of the load as well as the times set in C1-01 and C1-02.
		The voltage of the V/F pattern is high.	Review the V/F pattern parameters, E1-01 thru E1-13.
		The size of the Drive is small.	Change to a larger size Drive.
OL3 Overtorque Det 1	Overtorque Detection 1 Drive output current > L6-02 for more than the time set in L6-03	Motor is overloaded.	Ensure the values in L6-02 and L6-03 are appropriate.
			Check application/machine status to eliminate fault.
OPR Oper Disconnect	Digital Operator Connection Fault The Drive will stop if the digital operator is removed when the Drive is commanded to run through the digital operator.	The digital operator is not attached or the digital operator connector is broken.	Attach the digital operator.
			Check the digital operator connector.
			Verify the setting of o2-06.
OV DC Bus Overvolt	DC Bus Overvoltage 208-240VAC: Trip point is $\geq 400\text{Vdc}$ 480VAC: Trip point is $\geq 800\text{Vdc}$	High input voltage at R/L1, S/L2 and T/L3.	Check the input circuit and reduce the input power to within specifications.
		The deceleration time is set too short.	Extend the time in C1-02.
		Power factor correction capacitors are being used on the input to the Drive.	Remove the power factor correction capacitors.
PF Input Pha Loss	Input Phase Loss Drive input power supply has an open phase or has a large imbalance of input voltage.	Open phase on the input of the Drive.	Check the input voltage.
		Loose terminal screws at R/L1, S/L2 or T/L3.	Tighten the terminal screws.
		Momentary power loss occurred.	Check the input voltage.
		Input voltage fluctuation too large.	Check the input voltage.
		Parameter L8-06 value is set incorrectly.	Adjust L8-06 according to your application. The higher the value the less sensitive it becomes.
PUF DC Bus Fuse Open	DC Bus Fuse Detects if the DC bus fuse has opened	Shorted output transistor(s) or terminals.	Remove power from the Drive.
			Disconnect the motor.
			Perform the checks without power in Table 6.6.
			Replace the shorted component(s).
			Replace the defective fuse.

Table 6.3 Fault Displays and Processing (Continued)

Digital Operator Display	Description	Cause	Corrective Action
RH DynBrk Resistor	Dynamic Braking Resistor The protection of the dynamic braking resistor based on setting of L8-01	Overhauling load, extended dynamic braking duty cycle, defective dynamic braking resistor.	Verify dynamic braking duty cycle.
			Monitor DC bus voltage.
			Replace dynamic braking resistor.
RR DynBrk Transistr	Dynamic Braking Transistor The dynamic braking transistor failed.	Shorted dynamic braking transistor, high DC bus voltage, defective dynamic braking resistor.	Cycle power off and on to the Drive.
			Replace defective dynamic braking transistor or resistor.
			Monitor DC bus voltage.
UV1 DC Bus Undervolt	DC Bus Undervoltage The DC bus voltage is \leq L2-05 208-240VAC: Trip point is \leq 190Vdc 480VAC: Trip point is \leq 380Vdc	Low input voltage at R/L1, S/L2 and T/L3	Check the input circuit and increase the input power to within specifications.
		The acceleration time is set too short.	Extend the time in C1-01.
		Voltage fluctuation of the input power is too large.	Check the input voltage.
UV2 CTL PS Undervolt	Control Power Supply Undervoltage Undervoltage of the control circuit when running.	External load connected pulling down the Drive power supplies.	Cycle power off and on to the Drive.
			Repair or replace the Power PCB/ Gate Drive PCB.
			Remove all control wiring and test Drive.
UV3 MC Answerback	Soft Charge Circuit Fault The pre-charge contactor opened while the Drive was running.	Contacts on the soft charge contactor are dirty and the soft charge contactor does not function mechanically.	Cycle power off and on to the Drive.
			Check the condition of the soft charge contactor.
			Repair or replace the Power PCB/ Gate Drive PCB.

WARNING

Some features within the PI function group cause the Drive to shut down momentarily (e.g. Sleep Function, Snooze Function, Feedback Loss feature etc.) Upon recovery from the conditions that activate these features, the Drive may start unexpectedly. Therefore, when enabling these features take appropriate measures to notify personnel working with this equipment that unexpected starting may occur.

◆ Alarm Detection

Alarms are Drive protection functions that does not operate the fault contact. The Drive will automatically return to its original status once the cause of the alarm has been removed.

During an alarm condition, the Digital Operator display flashes and an alarm output is generated at the multi-function outputs (H2-01 to H2-02) if programmed.

When an alarm occurs, take appropriate corrective action according to the table below.

Digital Operator Display	Description	Cause	Corrective Action
BUS Option Com Err	Option Communication Error After initial communication was established, the connection was lost.	Connection is broken, master has stopped communicating.	Check all connections, verify all user side software configurations.
CALL SI-F/G ComCall	Serial communication transmission error Communication has not yet been established.	Connection not made properly, user software not configured to the proper baud rate or configuration.	Check all connections, verify all user side software configurations.
EF External Fault	Both the forward and the reverse run commands are input simultaneously for 500mS or more. This alarm stops the motor.	An external forward and reverse command are input simultaneously.	Check external sequence logic.
EF0 Opt External Flt (Flashing)	Communication Option Card External Fault	An external fault condition exists.	Check for an external condition.
			Verify the parameters.
			Verify communication signal.
EF3 Ext Fault S3 (Flashing)	External Fault at Terminal S3	An external fault condition exists connected to a multi-function digital input.	Eliminate the cause of an external fault condition.
EF4 Ext Fault S4 (Flashing)	External Fault at Terminal S4		
EF5 Ext Fault S5 (Flashing)	External Fault at Terminal S5		
EF6 Ext Fault S6 (Flashing)	External Fault at Terminal S6		
EF7 Ext Fault S7 (Flashing)	External Fault at Terminal S7		
DNE Drive not Enable (Flashing)	The Drive does not have the enable command when the run command is applied.	The Run command has been applied prior to the enable signal.	Apply the enable command before applying the run command.
FAN Cooling Fan Error	Failure of the Drive internal cooling fan when L8-32 = 0	Drive cooling fan has stopped.	Replace the cooling fan.

Table 6.4 Alarm Displays and Processing (Continued)

Digital Operator Display	Description	Cause	Corrective Action
FBL Feedback Loss	PI Feedback Loss This fault occurs when PI Feedback Loss Detection is programmed to fault. (b5-12 = 2) and the PI Feedback < PI Feedback Loss Detection Level (b5-13) for the PI Feedback Loss Detection Time (b5-14)	PI Feedback source (e.g. transducer, sensor, building automation signal) is not installed correctly or is not working.	Verify Drive is programmed to receive the PI Feedback source signal.
			Check to ensure the PI Feedback source is installed and working properly.
			Check the motor for a phase-to-phase short.
			Check the Drive for a phase-to-phase short at the output.
			Verify C1-01 and C1-02 are set correctly.
			Check load conditions.
LL3 Loss of Load Det 1 (Flashing)	Loss of Load Detection 1 Drive output current < L6-02 for more than the time set in L6-03	Motor is underloaded.	Ensure the values in L6-02 and L6-03 are appropriate.
			Check application/machine status to eliminate fault.
OH Heatsnk Overtemp (Flashing)	Cooling Fin/Cooling Fin Fan Overheat The temperature of the Drive cooling fin exceeded the temperature programmed in parameter L8-02.	Cooling fan(s) are not working, high ambient temperature, a heating unit in close proximity to Drive is present.	Check for dirt build-up on the fans and cooling fins.
	Drive Internal Cooling Fan		Remove the heating unit.
OH2 Over Heat 2 (Flashing)	Drive overheat pre-alarm signal is input from a multi-function digital input terminal.	An external overheat condition exists connected to one of the multi-function input terminals S3, S4, S5, S6 or S7.	Check for an external condition.
			Verify the program parameters H1-01 thru H1-05.
OH3 Motor Overheat 1 (Flashing)	Motor Overheating Alarm The Drive stops or continues operation according to the setting of L1-03.	Overheating of motor	Recheck the cycle time and the size of the load.
			Recheck the accel/decel time (C1-01 and C1-02).
			Recheck the V/F pattern (E1-01 thru E1-13).
			Recheck the motor rated current value (E2-01).
			Check the digital operator connector.
			Verify the setting of o2-06.

Table 6.4 Alarm Displays and Processing (Continued)

Digital Operator Display	Description	Cause	Corrective Action
OV DC Bus Overvolt (Flashing)	DC Bus Overvoltage 208-240VAC: Trip point is $\geq 400\text{Vdc}$ 480VAC: Trip point is $\geq 800\text{Vdc}$	High input voltage at R/L1, S/L2 and T/L3.	Check the input circuit and reduce the input power to within specifications.
		The deceleration time is set too short.	Extend the time in C1-02.
		Power factor correction capacitors are being used on the input to the Drive.	Remove the power factor correction capacitors.
OVRD Emergency Override	Emergency Override Emergency Override is active	Forward or Reverse Emergency Override input is closed	---
PRHT Motor Preheating	Motor Preheating Motor is preheating	Motor Preheat 2 input is closed	---
UV DC Bus Undervolt (Flashing)	DC Bus Undervoltage The DC bus voltage is $\leq \text{L2-05}$ 208-240VAC: Trip point is $\leq 190\text{Vdc}$ 480VAC: Trip point is $\leq 380\text{Vdc}$	Low input voltage at R/L1, S/L2 and T/L3.	Check the input circuit and increase the input power to within specifications.
		The acceleration time is set too short.	Extend the time in C1-01.
		Voltage fluctuation of the input power is too large.	Check the input voltage.
UV2 CTL PS Undervolt	Control Power Supply Undervoltage of the control circuit when running	External load connected pulling down the Drive power supplies.	Cycle power off and on to the Drive.
			Repair or replace the Power PCB/Gate Drive PCB.
UV3 MC Answerback	Soft Charge Circuit Fault The pre-charge contactor opened while the Drive was running.	Contacts on the soft charge contactor are dirty and the soft charge contactor does not function mechanically.	Cycle power off and on to the Drive.
			Check the condition of the soft charge contactor.

◆ Operator Programming Errors (OPE)

An Operator Programming Error (OPE) occurs when an inapplicable parameter is set or an individual parameter setting is inappropriate.

The Drive does not operate until the parameter is set correctly. (Alarm output and fault contact do not operate.)

If an OPE occurs, change the appropriate parameter by checking the cause shown in Table 6.5.

Digital Operator Display	Description	Cause	Corrective Action
OPE01 kVA Selection t	Drive kVA setting error	The control board was replaced and the kVA parameter is set incorrectly.	Enter the correct kVA setting (o2-04) by referring to the Drive model number in Appendix B.
OPE02 Limit	Constant data out of range	Parameter set above the allowable range	Verify the program settings.
OPE03 Terminal	Multi-function input selection fault	Duplicate functions are selected, up/down commands or trim control increase/decrease are not set simultaneously. Speed search from maximum frequency and set frequency are set simultaneously.	Verify program settings (H1-01~H1-05).
OPE05 Sequence Select	Run command is selected through serial communication at 2CN but option board is not installed.	Serial communication option board is not installed, option board is installed incorrectly. The run command selection parameter B1-02 is set to 3 and option board is not installed.	Verify that the board is installed. Remove power to the Drive and connect the option board once more.
OPE10 V/f Ptrn Setting	V/f data setting fault	V/f parameter settings are not set correctly.	Check parameters (E1-04 ~ E1-11). A minimum frequency/voltage value may be set higher than the maximum frequency/voltage.
OPE11 CarrFrq/On-Delay	Carrier frequency data setting fault Carrier frequency proportional gain C6-05 > 6 and C6-04 > C6-03. Upper/lower limit error of C6-03 to 5.0kHz	Parameter setting incorrect.	Check the program settings and correct the errors.
ERR EEPROM R/W Err	It does not match at EEPROM write.	<ul style="list-style-type: none"> Power supply is turned OFF. Parameter is reset repeatedly. 	<ul style="list-style-type: none"> Cycle power off and on to Drive. Do a factory initialization (A1-03).

◆ Auto-Tuning Faults

Auto-tuning faults are shown below. When the following faults are detected, the fault is displayed on the digital operator and the motor coasts to a stop during operation. The fault contact is not activated.

Digital Operator Display	Probable Cause	Corrective Action
Er - 01 Fault	<ul style="list-style-type: none"> • There is an error in the data input for autotuning. • There is an error in the relationship between the motor output and the motor rated current. 	<ul style="list-style-type: none"> • Check input data. • Check Drive and motor capacity. • Check motor rated current.
Er - 02 Minor Fault	A minor fault is detected during auto-tuning.	<ul style="list-style-type: none"> • Check input data. • Check wirings and around the machine. • Check the load.
Er - 03 STOP key	The STOP key is pressed during auto-tuning, and the auto-tuning is interrupted.	—
Er - 04 Resistance	Auto-tuning is not completed within the specified time. The auto-tuning result became other than the parameter set range.	<ul style="list-style-type: none"> • Check input data. • Check motor wiring. • If a motor and a machine are connected, disconnect the motor from the machine.
Er - 12 I-det. Circuit	<ul style="list-style-type: none"> • Current flow exceeded the motor rated current. • Current detection value symbol was reversed. • Any of U/T1, V/T2, and W/T3 has open-phase. 	<ul style="list-style-type: none"> • Check current detection circuit, wiring and mounting procedure.
Er - 13 Leakage Inductance Fault	Auto-tuning did not finish within the set time. Tuning result became other than the parameter setting range.	<ul style="list-style-type: none"> • Check motor wiring.
End - 3 Data Invalid	Rated current set value is set too high.	<ul style="list-style-type: none"> • Check input data (especially, motor output current and motor rated current value).

◆ Digital Operator COPY Function Faults

These faults can occur during the operator COPY function. Fault content is displayed on the operator. An error during the COPY function does not activate the fault contact output or alarm output.

Function	Digital Operator Display	Probable Causes	Corrective Action
READ Function	PRE READ IMPOSSIBLE	o3-01 was set to 1 to write a parameter when the Digital Operator was write-protected (o3-02 = 0).	Set o3-02 to 1 to enable writing parameters with the Digital Operator.
	IFE READ DATA ERROR	The read data length does not agree. The write data is incorrect.	<ul style="list-style-type: none"> • Repeat the Read. • Check the Digital Operator cable. • Replace digital operator.
	RDE DATA ERROR	An attempted write of a parameter to EEPROM on the Digital Operator failed.	<ul style="list-style-type: none"> • A low Inverter voltage has been detected. • Repeat the read. • Replace Digital Operator.
COPY Function	CPE ID UNMATCHED	The Drive product code or software number is different.	Use COPY function for the same product code and software number.
	VAE INV. KVA UNMATCH	The capacity of the Drive being copied and the capacity in the Digital Operator are different.	Use COPY function for the same Drive capacity.
	CRE CONTROL UNMATCHED	The control method of the Drive being copied and the control method in the Digital Operator are different.	Use the COPY function for the same control method.
	CYE COPY ERROR	The parameter written to the Drive was compared with the parameter in the Digital Operator and they were different.	COPY retest.
	CSE SUM CHECK ERROR	The checksum in the Drive parameter area was compared with the checksum in the Digital Operator parameter area and they were different.	Retry the copy.
Verify Function	VYE VERIFY ERROR	The set value of the digital operator and the Drive do not match.	Retry Verify function. After COPY is retested, verify it is retested.

Drive Troubleshooting

Due to parameter setting errors, faulty wiring, etc., the Drive and motor may not operate as expected when the system is started up. If this occurs, use this section as a reference and apply the appropriate measures.

If a fault is displayed on the digital operator, refer to Fault Detection, Table 6.3.

◆ If Parameter Cannot Be Set

Use the following information if a Drive parameter cannot be set.

■ The display does not change when the INCREASE and DECREASE keys are pressed.

The following causes are possible.

The Drive is operating (Drive mode).

There are some parameters that cannot be set during operation. Remove the run command and then set the parameters.

Parameter write enable is input.

This occurs when "parameter write enable" (set value: 1B) is set for a multi-function digital input terminal (H1-01 to H1-05). If the parameter write enable input is OFF, the parameters cannot be changed. Turn it ON and then set the parameters.

Passwords do not match. (Only when a password is set.)

If the parameter A1-04 (Password) and A1-05 (Password Setting) numbers are different, the parameters for the initialize mode cannot be changed. Enter the correct password in A1-04.

If you cannot remember the password, display A1-05 (Password Setting) by pressing the Shift/Reset Key and the MENU Key simultaneously while in the A1-04 display. Reset the password and input the reset password in parameter A1-04.

■ OPE01 through OPE11 is displayed.

The set value for the parameter is wrong. Refer to Operator Programming Errors in this chapter and correct the setting.

■ CPF00 or CPF01 is displayed.

This is a Digital Operator communications error. The connection between the Digital Operator and the Drive may be faulty. Remove the Digital Operator and then re-install it.

◆ If the Motor Does Not Operate

Use the following information if the motor does not operate.

■ Ensure the digital operator is securely connected to the Drive.

■ The motor does not operate when the HAND key on the Digital Operator is pressed.

The following causes are possible:

The Speed Command (Frequency Reference) is too low.

If the Speed Command (frequency reference) is set below the frequency set in E1-09 (Minimum Output Frequency), the Drive will not operate.

Raise the Speed Command to at least the minimum output frequency.

■ The motor does not operate when an external run command is input.

The following causes are possible.

The Drive is not in Drive mode.

If the Drive is not in Drive mode, it will remain in ready status and will not start. Press the MENU key once and press the DATA/ENTER key. The Drive is now in Drive mode.

The Speed Command is too low.

If the Speed Command is set below the frequency set in E1-09 (Minimum Output Frequency), the Drive will not operate. Raise the Speed Command to at least the minimum output frequency.

■ **The motor stops during acceleration or when a load is connected.**

The load may be too high. The Drive has a stall prevention function and an automatic torque boost function, but the motor responsiveness limit may be exceeded if acceleration is too rapid or if the load is too great. Lengthen the acceleration time (CI-01) or reduce the load. Also consider increasing the motor size.

■ **The motor only rotates in one direction.**

"Reverse run prohibited" may be selected. If b1-04 (Prohibition of Reverse Operation) is set to 1 (reverse run prohibited), the Drive will not receive reverse run commands. This is the default to use both forward and reverse operation, set b1-04 to 0, and operate in Auto mode.

◆ **The Direction of the Motor Rotation is Reversed**

If the motor rotates in the wrong direction, the motor output wiring is incorrect. When the Drive U/T1, V/T2, and W/T3 terminals are properly connected to the motor, the motor operates in a forward direction when a forward run command is received. The forward direction depends on the manufacturer and the motor type, so be sure to check the specifications.

The direction of rotation can be reversed by switching any two wires among U/T1, V/T2, and W/T3.

◆ **If the Motor Does Not Put Out Torque or If Acceleration is Slow**

Use the following information if the motor does not output torque or if acceleration is too slow.

■ **The stall prevention level during acceleration is too low.**

If the value set for L3-02 (Stall Prevention Acceleration Level) is too low, the acceleration time will be too long. Check to be sure that the set value is suitable.

■ **The stall prevention level during running is too low.**

If the value set for L3-06 (Stall Prevention Level during Running) is too low, the motor speed and torque will be limited. Check to be sure that the set value is suitable.

◆ **If the Motor Operates at a Higher Speed Than the Speed Command**

Use the following information if the motor operates at a higher speed than the Speed Command.

■ **A signal is being input to the Speed Command (current) terminal A2.**

If a preset frequency reference is selected, the preset reference takes priority over the normal reference.

If the PI mode of operation is enabled, the Drive output frequency will change to regulate the process variable to the desired setpoint. Then, the Drive speed may go to maximum.

◆ If the Motor Overheats

Take the following steps if the motor overheats.

■ The load is too high.

If the motor load is too high and the motor is used when the effective torque exceeds the motor's rated torque, the motor will overheat. Reduce the load amount by either reducing the load or increasing the acceleration/deceleration times. Also consider increasing the motor size.

■ The ambient temperature is too high.

The motor rating is determined by a particular ambient operating temperature range. The motor will overheat if it is run continuously at the rated torque in an environment where the maximum ambient operating temperature rating is exceeded. Lower the motor's ambient temperature to within its acceptable range.

■ The withstand voltage between the motor phases is insufficient.

When the motor is connected to the Drive output, Voltage surges are generated by standing waves that can occur with certain combinations of Drive carrier frequency and motor cable length. Normally the maximum surge voltage is three times the Drive's input power supply voltage (i.e., 1200VAC for a 480VAC). Be sure to use a motor with a withstand voltage between the motor phases that is greater than the maximum surge voltage. In particular, when using a 480VAC Drive, use an inverter-duty (NEMA MG1, Parts 30 & 31) motor. Motor protection filter can also be an effective measure.

◆ If Peripheral Devices Like DDCs or Others are Influenced by Starting or Running Drive

■ If noise is generated by Drive switching, implement the following countermeasures:

1. Change the Drive's Carrier Frequency Selection (C6-02) to lower the carrier frequency. This will help to reduce the amount of internal switching.
2. Install an Input Noise Filter at the Drive's input power terminals.
3. Use metal conduit. Electric waves can be shielded by metal, so encase the Drive and power wires in metal.
4. Ground the Drive and motor.
5. Separate main circuit wiring from control wiring.

◆ If a “Stand Alone” Ground Fault Interrupter Operates When the Drive is Run

The Drive performs internal switching, so there is a certain amount of leakage current. This may cause an external ground fault interrupter to operate and cut off the power supply. Whenever possible, use a ground fault interrupter with a high leakage detection level (i.e., a sensitivity current of 200 mA or greater per unit, with an operating time of 0.1 s or more), or one that incorporates high frequency countermeasures (i.e., one designed for use with Drives). It will also help to change the Drive's Carrier Frequency Selection (C6-02) to lower the carrier frequency. In addition, remember that the leakage current increases as the cable is lengthened.

◆ If There is Mechanical Vibration

Use the following information when there is mechanical vibration.

■ The application is making unusual sounds.

The following causes are possible.

There may be resonance between the mechanical system's natural frequency and the carrier frequency.

This is characterized by the motor running with no noise generation, but the machinery vibrates with a high-pitched whine. To prevent this type of resonance, adjust the carrier frequency with parameters C6-02 to C6-05.

There may be resonance between an applications characteristic frequency and the output frequency of the Drive.

To prevent this from occurring, use the jump frequency functions in parameters d3-01 to d3-04, or have the driven motor and load balanced to reduce vibration.

■ Oscillation and hunting are occurring with V/f control.

The gain adjustment may be insufficient. Reset the gain to a more effective level by raising the value of C4-02 (Torque Compensation Primary Delay Time Parameter) and then lowering the setting of n1-02 (Hunting Prevention Gain).

■ Oscillation and hunting are occurring with PI control.

If there is oscillation or hunting during PI control, check the oscillation cycle and individually adjust P and I parameters.

- Disable integral (I) control

- Reduce the proportional gain (P) until hunting stops

- Reintroduce the integral function, starting with long integral time values, to eliminate the P offset

◆ If the Motor Rotates Even When Drive Output is Stopped

If the motor rotates even when the Drive is stopped, the DC injection braking may be insufficient. If the motor continues operating at low speed, without completely stopping after a stop has been executed, it means that the DC injection braking is not decelerating the motor enough. Adjust the DC injection braking as follows:

- Increase the parameter b2-04 (DC Injection Braking (initial excitation) Time at Stop) setting.
- Increase the parameter b2-02 (DC Injection Braking Current) setting.

◆ If Zero Volts is Detected When a Motor is Started, or Stalls

Generation of 0 V (main circuit voltage) and stalling can occur if a motor is turning when it is started and the DC injection braking is insufficient.

This can be prevented by slowing motor rotation by DC injection braking before starting. Increase parameter b2-03 (DC injection braking time at start) setting.

◆ If the Accepted Speed Command Does Not Rise to the User Speed Command Input

■ The Speed Command is within the jump frequency range.

When the jump frequency function is used, the output frequency can not be set within the jump frequency range. Check to be sure that the Jump Frequency (parameters d3-01 to d3-03) and Jump Frequency Width (parameter d3-04) settings are suitable.

■ The frequency reference upper limit has been reached.

The output frequency upper limit is determined by the following formula:

$$\text{Freq Ref Upper Limit} = \text{Maximum Output Frequency (E1-04)} \times \text{Frequency Reference Upper Limit (d2-01)} / 100$$

Check to be sure that the parameter E1-04 and d2-01 settings are suitable.

Drive Main Circuit Test Procedure

WARNING

Prior to removing any protective cover or wiring any part of the Drive, remove all power sources, including main input power and control circuit power. Wait a minimum of 5 minutes after power removal, before removing any cover. The charge lamp located within the Drive should be off prior to working inside. Even if the charge lamp is off, one must measure the AC input, output, and DC Bus potential to insure safe levels prior to resuming work. Failure to adhere to this warning may result in personal injury or death.

Before attempting any troubleshooting checks, make sure that the three-phase power is disconnected and locked out. With power removed from the unit, the DC bus capacitors will stay charged for several minutes. The Charge LED in the Drive will glow red until the DC bus voltage is below 10Vdc. To ensure that the DC bus is completely discharged, measure between the positive and negative bus with a DC voltmeter set to the highest scale.

Check	Procedure
Measure DC Bus Voltage	<ol style="list-style-type: none"> Set the digital multi-meter to its highest VDC scale. Measure between $\oplus 1$ and (-) for the following check: Place the positive (red) meter lead on $\oplus 1$. Place the negative (black) meter lead on (-). If the measured voltage is < 10Vdc, it is safe to work inside the Drive. If not, wait until the DC Bus has completely discharged.
Input Diodes (D1-D12 or Q1)	<p>The input diodes rectify or transform the three-phase input AC voltage into a DC voltage.</p> <ol style="list-style-type: none"> Set a digital multi-meter to the Diode Check setting. Place the positive (red) meter lead on terminal R/L1. Place the negative (black) meter lead on terminal $\oplus 1$. Expected reading is about 0.5 Volts. Place the positive (red) meter lead on terminal S/L2. Place the negative (black) meter lead on terminal $\oplus 1$. Expected reading is about 0.5 Volts. Place the positive (red) meter lead on terminal T/L3. Place the negative (black) meter lead on terminal $\oplus 1$. Expected reading is about 0.5 Volts. Place the positive (red) meter lead on terminal R/L1. Place the negative (black) meter lead on terminal (-). Expected reading is OL displayed. Place the positive (red) meter lead on terminal S/L2. Place the negative (black) meter lead on terminal (-). Expected reading is OL displayed. Place the positive (red) meter lead on terminal T/L3. Place the negative (black) meter lead on terminal (-). Expected reading is OL displayed. Place the positive (red) meter lead on terminal (-). Place the negative (black) meter lead on terminal R/L1. Expected reading is about 0.5 Volts. Place the positive (red) meter lead on terminal (-). Place the negative (black) meter lead on terminal S/L2. Expected reading is about 0.5 Volts. Place the positive (red) meter lead on terminal (-). Place the negative (black) meter lead on terminal T/L3. Expected reading is about 0.5 Volts.

Table 6.8 Main Circuit Test Procedure (Continued)	
Check	Procedure
Input Diodes (D1-D12 or Q1)	<ol style="list-style-type: none"> 11. Place the positive (red) meter lead on terminal ⊕ 1. Place the negative (black) meter lead on terminal R/L1. Expected reading is OL displayed. 12. Place the positive (red) meter lead on terminal ⊕ 1. Place the negative (black) meter lead on terminal S/L2. Expected reading is OL displayed. 13. Place the positive (red) meter lead on terminal ⊕ 1. Place the negative (black) meter lead on terminal T/L3. Expected reading is OL displayed.
Soft Charge Resistor Check (R1, R2, 6PCB)	<p>The soft charge resistor works in conjunction with the soft charge contactor to slowly charge the DC bus capacitors to minimize the inrush current when power is applied to the Drive.</p> <ol style="list-style-type: none"> 1. Conduct a visual inspection. Check for physical damage. 2. Set a digital multi-meter to the R x 1 scale. 3. If the resistor is damaged, the measured value will be infinite ohms.
Soft Charge Contactor (K1)	<p>The purpose of the soft charge contactor is to bypass the soft charge resistor after the DC bus voltage has reached its normal operating level.</p> <ol style="list-style-type: none"> 1. Conduct a visual inspection. Check for physical damage. 2. Set a digital multi-meter to the R x 1 scale. 3. On Drives with a board-mounted contactor, verify that each contact resistance measures infinite ohms. 4. On Drives without a board-mounted contactor, press the plunger in, and verify that each contact measures zero ohms. 5. On Drives without a board-mounted contactor, release the plunger, and verify that the resistance is the ohmic value of the soft charge resistor. 6. On Drives with a board-mounted contactor, verify that the contactor coil measures about 300 ohms. The coil can be tested by applying the appropriate voltage to verify the contacts change states. 7. On Drives without a board-mounted contactor, verify that the 230VAC contactor coil measures about 175 ohms. The coil can be tested by applying the appropriate voltage to verify the contacts change states. 8. On Drives without a board-mounted contactor, verify that the 24Vdc auxiliary coil measures about 2.2M ohms. The coil can be tested by applying the appropriate voltage to verify the contacts change states.
DC Bus Fuse (F1)	<p>The DC bus fuse is located in the negative portion of the DC Bus. The DC bus fuse is used to protect the main circuit components if the output transistors short. If the DC bus fuse is open, at least one of the output transistors has failed. When a transistor fails, there is a short between the positive and negative portions of the DC Bus. The DC bus fuse does not protect the transistors, but protects the rest of the main circuit from the high current present during a short. <i>Never replace the DC bus fuse without first checking all of the output transistors.</i></p> <ol style="list-style-type: none"> 1. Set a digital multi-meter to the R x 1 scale. 2. Place one lead of the multi-meter on one side of the fuse and place the other lead of the multi-meter on the other side of the fuse. 3. If the fuse is good, the measured value will be zero ohms. If the fuse is bad, the measured value will be infinite ohms.

Table 6.8 Main Circuit Test Procedure (Continued)

Check	Procedure
<p>Output Transistors (Q1-Q12)</p>	<p>The output transistors are used to switch the DC bus voltage to allow current to flow to the motor.</p> <ol style="list-style-type: none"> 1. Set a digital multi-meter to the Diode Check setting. 2. Place the positive (red) meter lead on terminal U/T1. Place the negative (black) meter lead on terminal ⊕ 1. Expected reading is about 0.5 Volts. 3. Place the positive (red) meter lead on terminal V/T2. Place the negative (black) meter lead on terminal ⊕ 1. Expected reading is about 0.5 Volts. 4. Place the positive (red) meter lead on terminal W/T3. Place the negative (black) meter lead on terminal ⊕ 1. Expected reading is about 0.5 Volts. 5. Place the positive (red) meter lead on terminal U/T1. Place the negative (black) meter lead on terminal (-). Expected reading is OL displayed. 6. Place the positive (red) meter lead on terminal V/T2. Place the negative (black) meter lead on terminal (-). Expected reading is OL displayed. 7. Place the positive (red) meter lead on terminal W/T3. Place the negative (black) meter lead on terminal (-). Expected reading is OL displayed. 8. Place the positive (red) meter lead on terminal (-). Place the negative (black) meter lead on terminal U/T1. Expected reading is about 0.5 Volts. 9. Place the positive (red) meter lead on terminal (-). Place the negative (black) meter lead on terminal V/T2. Expected reading is about 0.5 Volts. 10. Place the positive (red) meter lead on terminal (-). Place the negative (black) meter lead on terminal W/T3. Expected reading is about 0.5 Volts. 11. Place the positive (red) meter lead on terminal ⊕ 1. Place the negative (black) meter lead on terminal U/T1. Expected reading is OL displayed. 12. Place the positive (red) meter lead on terminal ⊕ 1. Place the negative (black) meter lead on terminal V/T2. Expected reading is OL displayed. 13. Place the positive (red) meter lead on terminal ⊕ 1. Place the negative (black) meter lead on terminal W/T3. Expected reading is OL displayed.
<p>Control Power Fuse</p>	<p>All Drives have a Control Power Fuse. The fuse is located on either the Power PCB (3PCB) or the Gate Drive PCB (3PCB). The Control Power Fuse protects the primary switching mode power supply.</p> <ol style="list-style-type: none"> 1. Set a digital multi-meter to the R x 1 scale. 2. Place one lead of the multi-meter on one side of the fuse and place the other lead of the multi-meter on the other side of the fuse. 3. If the fuse is good, the measured value will be zero ohms. If the fuse is bad, the measured value will be infinite ohms.

Table 6.8 Main Circuit Test Procedure (Continued)

Check	Procedure
<p>24Vdc Cooling Fans (Heat Sink & Internal)</p>	<p>The Heat Sink & Internal Cooling Fans cool the heat sink as well as the output transistor modules of the Drive.</p> <ol style="list-style-type: none"> 1. Conduct a visual inspection to ensure the fan turns freely. 2. If there is no physical evidence that the fan is bad, the fan motor can be checked with a digital mutli-meter. 3. Set the digital multi-meter to the R x 1 scale. 4. Measure across the fan motor terminals. If zero ohms are measured, conclude that the fan motor is shorted. If infinite ohms are measured, conclude that the fan motor is burned open. 5. If the fan is not working, then disconnect the fan and apply 24Vdc to the fan to test the motor.
<p>230/240VAC Cooling Fans (Heat Sink)</p>	<p>The Heat Sink Cooling Fans cool the heat sink to remove heat from the Drive.</p> <ol style="list-style-type: none"> 1. Conduct a visual inspection to ensure the fan turns freely. 2. If there is no physical evidence that the fan is bad, the motor can be checked with a digital mutli-meter. 3. Set a digital multi-meter to the R x 1 scale. 4. Measure across the fan motor terminals. If the fan motor is good, the measured value should be about 500 ohms. If zero ohms are measured, conclude that the fan motor is shorted. If infinite ohms are measured, conclude that the fan motor is burned open. If the fan is not working, then disconnect the fan and apply 230/240VAC to the fan to test the motor.
<p>Cooling Fan Fuse</p>	<p>Large Drive units contain a Cooling Fan Fuse. It is located on either the Gate Drive Board (3PCB) or the Tap Change Board (8PCB). If the Cooling Fan Fuse is open, then the 230/240VAC cooling fans may be defective.</p> <ol style="list-style-type: none"> 1. Set a digital multi-meter to the R x 1 scale. 2. Place one lead of the multi-meter on one side of the fuse and place the other lead of the multi-meter on the other side of the fuse. 3. If the fuse is good, the measured value will be zero ohms. If the fuse is bad, the measured value will be infinite ohms.

Drive Date Stamp Information

This information is used to determine when a Drive was built to see if it is within its warranty period. The date stamp is located on the lower right side of the Drive.

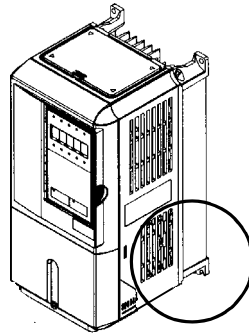
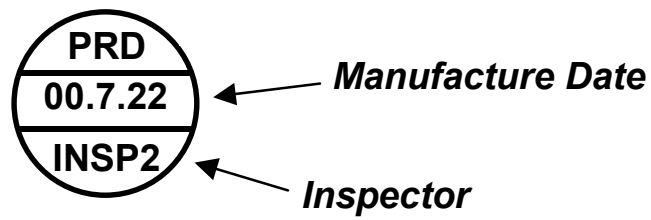


Fig 6.2 Date Stamp Location



Notes:

Chapter 7

Maintenance

This chapter describes basic maintenance and inspection of the Drive and Bypass unit. Please refer to these instructions to ensure that the Drive receives the proper maintenance to maintain overall performance.

E7N Maintenance	2
Periodic Inspection	2
Preventive Maintenance	3
Drive Heatsink Cooling Fan Replacement	4

E7N Maintenance

◆ Periodic Inspection

Check the following items during periodic maintenance.

- The motor should not be vibrating or making unusual noises.
- There should be no abnormal heat generation from the Drive and Bypass or motor.
- The ambient temperature should be within the Drive and Bypass specification of -10°C to 40°C (14°F to 104°F).
- The output current value shown in parameter U1-03 should not be higher than the motor rated current for an extended period of time.
- The cooling fan in the Drive and Bypass should be operating normally.

Always turn OFF the input power before beginning inspection. Confirm that the digital operator and indicator lights on the front panel have all turned OFF, and then wait an additional five minutes before beginning the inspection. Be sure not to touch terminals immediately after the power has been turned off. Doing so can result in electric shock. Please refer to Warnings on page i.

Item	Inspection	Corrective Action
External terminals, mounting bolts, connectors, etc.	Are all screws and bolts tight?	Tighten loose screws and bolts firmly.
	Are connectors tight?	Reconnect the loose connectors.
Cooling fins	Are the fins dirty or dusty?	Clean off any dirt and dust with an air gun using clean and dry air at a pressure between 55-85 psi.
Bypass Operator Interface PCB Bypass Controller PCB Control PCB Power PCB Gate Drive PCBs	Is there any conductive dirt or oil mist on the PCBs?	Clean off any dirt and dust with an air gun using clean and dry air at a pressure between 55-85 psi. Replace the boards if they cannot be made clean.
Contactors Input Diodes Output Transistors or IPMs	Is there any conductive dirt or oil mist on the modules or components?	Clean off any dirt and dust with an air gun using clean and dry air at a pressure between 55-85 psi.
DC bus capacitors	Are there any irregularities, such as discoloration or odor?	Replace the capacitors or Drive.

Apply power to the Drive and Bypass, then conduct the following inspection.

Item	Inspection	Corrective Action
Cooling fan(s)	Is there any abnormal noise or vibration, or has the total operating time exceeded 20,000 hours. Check U1-40 for elapsed cooling fan operation time.	Replace Cooling Fan.

◆ Preventive Maintenance

Inspection Points	Item	Check Points	Every 3-6 Months	Yearly
General	Environment	Ambient Temperature	✓	
		Humidity	✓	
		Dust	✓	
Harmful Gas		✓		
Oil Mist		✓		
	Equipment	Abnormal vibration or noise	✓	
	AC Power Supply	Main circuit & control voltage	✓	
AC Power Circuit & Devices	Conductors & Wire Connections	Loose lugs, screws & wires		✓
		Hot spots on parts		✓
		Corrosion		✓
		Bent conductors		✓
		Breakage, cracking or discoloration		✓
		Check spacing		✓
	Transformers & Reactors	Discoloration or Noise	✓	
Terminal Blocks	Loose, damaged		✓	
DC Bus Capacitors	Leakage Ruptures, broken, expansion Capacitance & insulation resistance			✓
				✓
				✓
Relays & Contactors	Noisy Contact discoloration			✓
				✓
Soft Charge Resistors	Cracked Discoloration			✓
				✓
Control Circuits	Operation	Speed reference voltage/current		✓
		I/O contact operation		✓
		Relay logic		
Cooling System	Cooling Fans/Fins & Heatsink	Abnormal fan noise	✓	
		Loose connectors Free of accumulation	✓	✓
Keypad/Front Panel Display	Digital Operator and Front Panel	LEDs	✓	
		Monitor display values	✓	
		Key and selector switch functionality Clean		✓ ✓

If the Drive is used under the following conditions, it may be necessary to inspect more often:

- High ambient temperatures, humidity or altitudes above 3,300 feet
- Frequent starting and stopping
- Fluctuations of the AC power supply or load
- Excessive vibration and/or shock loading
- Poor environment, including dust, metal particles, salt, sulfuric acid, chlorine

◆ Drive Heatsink Cooling Fan Replacement

■ Drive Models CIMR-__ __20P4 thru 2018 (25 HP@ 208 V) and 40P4 thru 4018 (30 HP@ 480 V)

IMPORTANT

If the Drive is mounted with the heatsink external to the enclosure, as it is in Bypass units, the cooling fan can only be replaced by removing the Drive from the enclosure. See "Removing and Replacing the Drive" in this chapter.

A cooling fan is attached to the bottom of the Drive.

If the Drive is installed using the mounting holes on the back of the Drive heatsink, the cooling fan can be replaced without removing the Drive from the enclosure panel.

■ Removing the Drive Heatsink Cooling Fan

1. Always turn OFF the input power before removing and installing the heatsink cooling fan.
2. Press in on the right and left sides of the fan cover in the direction of arrows "1" and then pull the fan out in the direction of arrow "2".
3. Pull out the cable connected to the fan from the fan cover and disconnect the power connector. See Figure 7.4.
4. Open the fan cover on the left and right sides in the direction of arrows "3" and remove the fan cover from the fan.

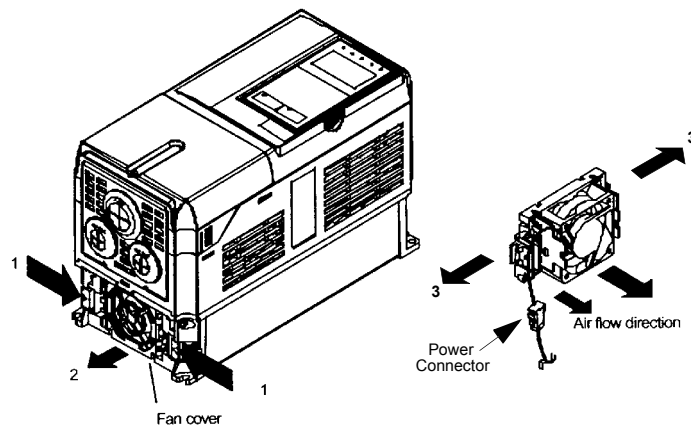


Fig 7.4 Cooling Fan Replacement Procedure

■ Installing the Drive Heatsink Cooling Fan

1. Attach the fan cover to the cooling fan. Be sure that the air flow direction indicated by the arrows above faces into the Drive.
2. Connect the power connector securely and place the power connector and cable into the fan cover.
3. Mount the fan cover on the Drive. Be sure that the tabs on the sides of the fan cover click into place on the Drive.

■ Drive Models 4030 (40 HP and above @ 480 V)

A cooling fan assembly is attached to the top inside the Drive. The cooling fan assembly includes the heat sink cooling fans and the internal cooling fan. The cooling fan(s) can be replaced without removing the Drive from the enclosure panel.

■ Removing the Drive Cooling Fan Assembly

1. Always turn OFF the input power before removing and installing the heatsink cooling fan assembly.
2. Remove the terminal cover, Drive cover, Digital Operator, and front cover from the front of the Drive.
3. Remove the Control PCB bracket (if necessary) to which the cards are mounted. Remove all cables connected to the Control PCB and remove the cooling fan power connector from the fan board (13 PCB) positioned near the top of the Drive.
4. Remove the cooling fan power connectors from the gate Drive board (3PCB) positioned at the back of the Drive.
5. Remove the fan assembly screws and pull out the fan assembly from the Drive.
6. Remove the cooling fan(s) from the fan assembly.

■ Mounting the Drive Cooling Fan Assembly

After attaching a new cooling fan, reverse the above procedure to attach all of the components.

When attaching the cooling fan to the mounting bracket, be sure that the air flow goes toward the top of the Drive.

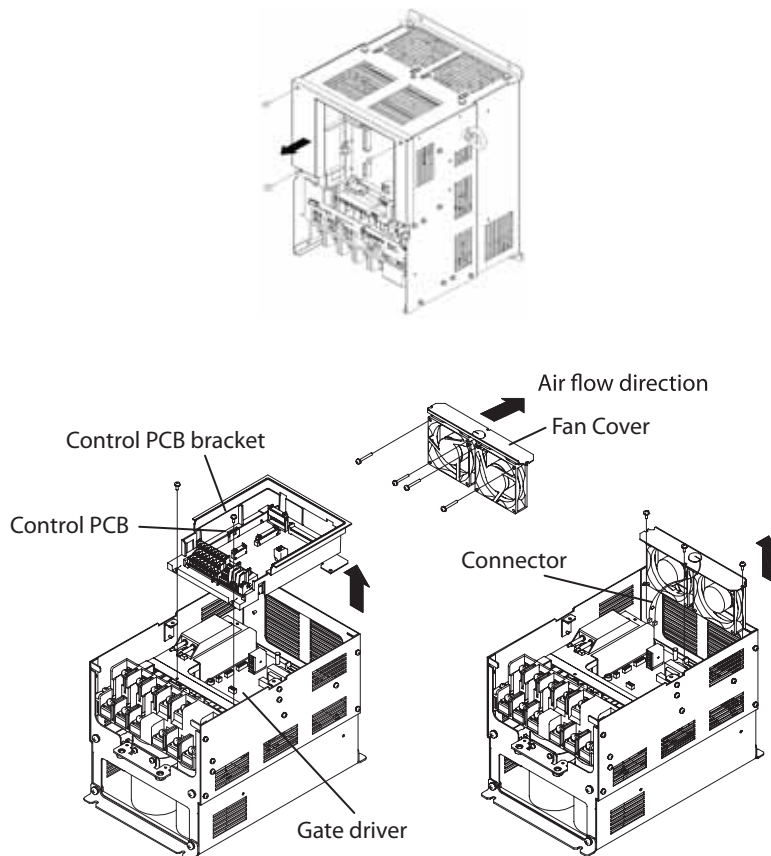


Fig 7.5 Cooling Fan Assembly Replacement Procedure

Notes:

Appendix A

Parameters

This appendix lists all the parameter numbers and names, along with a description of each. Also, below the parameter name in bold type is the abbreviated name as it appears on the digital operator display/keypad.

Parameter List	2
Monitor List	26
Fault Trace List	28
Fault History List	29
Decimal to Hex Conversion	30

NOTE 1: “Factory settings” listed in this appendix are for the Drive only. See Table 5.1 and Table 5.2 for E7N Bypass factory settings.

NOTE 2: In this parameter list, the second column “Parameter Name/LCD Digital Operator Display” contains information that appears on the optional LCD display. The standard LED display does not show this level of detail. For the LED display only the data entered or the number of the selection will be shown. The optional LCD keypad is required to see the complete description.

Parameter List

Table A.1 Parameter List

Parameter No.	Parameter Name LCD Digital Operator Display	Description	Setting Range	Factory Setting	Menu Location
Initialization					
A1-00 ◆	Language Selection Select Language	Language selection for digital operator display 0: English 2: Deutsch 3: Francais 4: Italiano 5: Espanol 6: Portugues *Not returned to factory setting by initialization	0 to 6	0	Programming
A1-01 ◆	Access Level Selection Access Level	This setting determines which parameters are accessible. 0: Operation Only 1: User Level 2: Advanced Level	0 to 2	2	Programming
A1-03	Initialize Parameters Init Parameters	Used to return all parameters to their factory or user setting. 0: No Initialize 1110: User Initialize (The user must set their own parameter default values and then parameter o2-03 must be set to "1" to save them. If the parameter values are changed after o2-03 is set to "1", the user default values can be restored by setting A1-03 to 1110) 2220: 2-Wire Initial 3330: 3-Wire Initial	0 to 3330	0	Programming
A1-04	Password 1 Enter Password	When the value set into A1-04 does NOT match the value set into A1-05, parameters A1-01 thru A1-03 and A2-32 cannot be changed. All other parameters determined by A1-01 can be changed. Parameter A1-05 can be accessed by displaying parameter A1-04, then press and hold the RESET key along with the MENU key simultaneously.	0 to 9999	0	Programming
A1-05	Password 2 Select Password		0 to 9999	0	Programming
User Parameters					
A2-01	User Parameter 1 User Param 1	Selects the parameters to be available in the User Access Level (A1-01 = 1). These are the only parameters accessible for the user level. These parameters are not related to the User Initialize function.	b1-01 to o3-02	—	Programming
A2-02	User Parameter 2 User Param 2			—	Programming
A2-03	User Parameter 3 User Param 3			—	Programming
A2-04	User Parameter 4 User Param 4			—	Programming
A2-05	User Parameter 5 User Param 5			—	Programming
A2-06	User Parameter 6 User Param 6			—	Programming
◆Denotes that parameter can be changed when the drive is running.					

Table A.1 Parameter List (Continued)

Parameter No.	Parameter Name LCD Digital Operator Display	Description	Setting Range	Factory Setting	Menu Location
A2-07	User Parameter 7 User Param 7	Selects the parameters to be available in the User Access Level (A1-01 = 1). These are the only parameters accessible for the user level. These parameters are not related to the User Initialize function.	b1-01 to o3-02	—	Programming
A2-08	User Parameter 8 User Param 8			—	Programming
A2-09	User Parameter 9 User Param 9			—	Programming
A2-10	User Parameter 10 User Param 10			—	Programming
A2-11	User Parameter 11 User Param 11			—	Programming
A2-12	User Parameter 12 User Param 12			—	Programming
A2-13	User Parameter 13 User Param 13			—	Programming
A2-14	User Parameter 14 User Param 14			—	Programming
A2-15	User Parameter 15 User Param 15			—	Programming
A2-16	User Parameter 16 User Param 16			—	Programming
A2-17	User Parameter 17 User Param 17			—	Programming
A2-18	User Parameter 18 User Param 18			—	Programming
A2-19	User Parameter 19 User Param 19			—	Programming
A2-20	User Parameter 20 User Param 20			—	Programming
A2-21	User Parameter 21 User Param 21			—	Programming
A2-22	User Parameter 22 User Param 22			—	Programming
A2-23	User Parameter 23 User Param 23			—	Programming
A2-24	User Parameter 24 User Param 24			—	Programming
A2-25	User Parameter 25 User Param 25			—	Programming
A2-26	User Parameter 26 User Param 26			—	Programming
A2-27	User Parameter 27 User Param 27			—	Programming
A2-28	User Parameter 28 User Param 28			—	Programming
A2-29	User Parameter 29 User Param 29			—	Programming
A2-30	User Parameter 30 User Param 30			—	Programming
A2-31	User Parameter 31 User Param 31			—	Programming
A2-32	User Parameter 32 User Param 32			—	Programming

Table A.1 Parameter List (Continued)

Parameter No.	Parameter Name LCD Digital Operator Display	Description	Setting Range	Factory Setting	Menu Location
Sequence					
b1-01	Frequency Reference Selection Reference Source	Selects the speed command (frequency reference) input source. 0: Operator - Digital preset speed d1-01 1: Terminals - Analog Input Terminal A1 (or Terminal A2 see parameter H3-13) 2: Serial Com - RS-485 terminals R+, R-, S+ and S- 3: Option PCB - Option board connected at 2CN	0 to 3	1	Quick Setting
b1-02	Run Command Selection Run Source	Selects the run command input source. 0: Operator - "Hand" and "Off" keys on digital operator 1: Terminals - Contact Closure on Terminal S1 2: Serial Com - RS-485 terminals R+, R-, S+ and S- 3: Option PCB - Option board connected at 2CN	0 to 3	1	Quick Setting
b1-03	Stopping Method Selection Stopping Method	Selects the stopping method when the run command is removed. 0: Ramp to Stop 1: Coast to Stop 2: DC Injection to Stop 3: Coast w/Timer (A new run command is ignored if input before the time in C1-02 expires)	0 to 3	0	Quick Setting
b1-04	Reverse Operation Selection Reverse Oper	Determines the forward rotation of the motor, and if reverse operation is disabled. 0: Reverse Enabled 1: Reverse Disabled 2: Exchange Phase - Change direction of forward motor rotation 3: Exchange Phase, Reverse Disabled - Change direction of forward motor rotation and disable reverse operation	0 to 3	1	Programming
b1-07	Local/Remote Run Selection LOC/REM RUN Sel	0: Cycle External RUN - If the run command is closed when switching from hand (local) mode to auto (remote) mode, the drive will not run 1: Accept External RUN - If the run command is closed when switching from hand (local) mode to auto (remote) mode, the drive WILL run	0 or 1	0	Programming
b1-08	Run Command Selection During Program RUN CMD at PRG	0: Disabled - Run command accepted only in the operation menu. 1: Enabled - Run command accepted in all menus (except when b1-02 = 0)	0 or 1	0	Programming
b1-11	Drive Delay Time Setting Wait to Run Time	After a run command, drive output will start after this delay time.	0 to 600	0sec	Programming
b1-12	Hand Frequency Reference Selection HAND Fref Source	Selects the speed command input source in hand mode.* 0: Operator - Digital preset speed d1-01 1: Terminals - Analog Input Terminal A1 (or Terminal A2 see parameter H3-13)	0 or 1	0	Programming
b1-13	HAND/AUTO During Run Selection HAND/AUTO @Run	Selects if drive will permit switching between HAND and AUTO modes while running. 0: Disabled 1: Enabled	0 or 1	0	Programming
b1-14	Emergency Override Speed E Override Speed	Sets the speed command used in emergency override mode when b1-15=0.	0.00 to 120.00 Hz	0.00	Programming
b1-15	Emergency Override Reference Selection E OverrideRefSel	Selects the emergency override reverse source. 0: Use b1-14 Ref 1: Use AUTO Ref	0 or 1	0	Programming
DC Braking					
b2-01	DC Injection Braking Start Frequency DCInj Start Freq	Sets the frequency at which DC injection braking starts when ramp to stop (b1-03 = 0) is selected. If b2-01 < E1-09, DC Injection braking starts at E1-09.	0.0 to 10.0	0.5Hz	Programming
b2-02	DC Injection Braking Current DCInj Current	Selects the DC injection braking current as a percentage of the Drive rated current.	0 to 100	50%	Programming
b2-03	DC Injection Braking Time at Start DCInj Time @Start	Sets the time length of DC injection braking at start in units of 1 second.	0.00 to 10.00	0.00sec	Programming
b2-04	DC Injection Braking Time at Stop DCInj Time @Stop	When b1-03 = 2 actual DC Injection time is calculated as follows: b2-04 * 10 * Output Frequency / E1-04. When b1-03 = 0, this parameter determines the amount of time DC Injection is applied to the motor at the end of the decel ramp. This should be set to a minimum of 0.50 seconds when using HSB. This will activate DC injection during the final portion of HSB and help ensure that the motor stops completely.	0.00 to 10.00	0.00sec	Programming
* If b1-13=1, this parameter instead selects whether the AUTO reference is retained as the new HAND reference (setting=0), or the drive will ramp from the AUTO reference to the existing HAND reference (setting=1).					

Table A.1 Parameter List (Continued)

Parameter No.	Parameter Name LCD Digital Operator Display	Description	Setting Range	Factory Setting	Menu Location
b2-09	Motor Pre-Heat Current Preheat Current	Motor Pre-heat current in % of drive rated current. This is used to keep the motor warm to prevent condensation and is used in conjunction with a digital input (data = 60).	0 to100	0%	Programming
b2-10	Motor Pre-Heat Current 2 Preheat Current2	Sets the DC preheat current for multi-function output setting 80 (Motor Preheat 2) as a percentage of Motor Rated Current (E2-01).	0 to 10%	5	Programming
Speed Search					
b3-01	Speed Search Selection SpdSrch at Start	Enables/disables and selects the speed search function at start. 0: SpdsrchF Disable - Speed search at start is disabled (estimated speed method is used at other times) 1: SpdsrchF Enable - Speed search is enabled (estimated speed method) 2: SpdsrchI Disable - Speed search at start is disabled (current detection method is used at other times) 3: SpdsrchI Enable - Speed search is enabled (current detection method) Estimated Speed Method: Actual motor speed and direction is estimated, then the motor is ramped from that speed to the commanded speed. Current Detection Method: Current level is monitored while output frequency is ramped down.	0 to 3	2	Programming
b3-02	Speed Search Deactivation Current SpdSrch Current	Used only when b3-01 = 3. Sets the speed search operation current as a percentage of drive rated current.	0 to 200	120%	Programming
b3-03	Speed Search Deceleration Time SpdSrch Dec Time	Used only when b3-01 = 3. Sets the deceleration time during speed search.	0.1 to 10.0	2.0sec	Programming
b3-05	Speed Search Delay Time Search Delay	Delays the speed search operation after a momentary power loss to allow time for an external output contactor to re-energize.	0.0 to 20.0sec	0.2sec	Programming
b3-14	Bidirectional Speed Search Selection Bidir Search Sel	0: Disabled 1: Enabled	0 or 1	1	Programming
Delay Timers					
b4-01	Timer Function ON-Delay Time Delay-ON Timer	Used in conjunction with a multi-function digital input and a multi-function digital output. This sets the amount of time between when the digital input is closed, and the digital output is energized.	0.0 to 3000.0	0.0sec	Programming
b4-02	Timer Function OFF-Delay Time Delay-OFF Timer	Used in conjunction with a multi-function digital input and a multi-function digital output. This sets the amount of time the output stays energized after the digital input is opened.	0.0 to 3000.0	0.0sec	Programming
PI Control					
b5-01	PI Mode Setting PI Mode	This parameter enables / disables the closed loop (PI) controller. 0: Disabled 1: Enabled (commanded speed becomes PI setpoint) 3: Fref+PI	0, 1, 3	0	Quick Setting
b5-02 ◆	Proportional Gain Setting P Gain	Sets the proportional gain of the PI controller.	0.00 to 25.00	2.00	Quick Setting*
b5-03 ◆	Integral Time Setting PI I Time	Sets the integral time for the PI controller. A setting of zero disables integral control.	0.0 to 360.0	5.0sec	Quick Setting*
b5-04 ◆	Integral Limit Setting PI I Limit	Sets the maximum output possible from the integrator. Set as a % of fmax.	0.0 to 100.0	100%	Programming
b5-06 ◆	PI Output Limit PI Limit	Sets the maximum output possible from the entire PI controller. Set as a % of fmax.	0.00 to 100.0	100.0%	Programming
b5-07 ◆	PI Offset Adjustment PI Offset	Sets the amount of offset of the output of the PI controller. Set as a % of fmax. The PI Offset Adjustment parameter has two different uses. Parameter b5-07 serves different functions depending on whether it is used on a standard PI loop or a Differential PI loop. 1: Parameter b5-07 causes an offset to be applied to the output of the PI function in a non-Differential PI loop. Every time the PI output is updated, the offset is summed with the PI output. This can be used to artificially kick-start a slow starting PI loop. 2: If the Drive is configured for Differential PI Regulation (H3-09=16), then the PI Offset is the targeted maintained differential between the signal measured on analog input A1 and the signal measured on analog input A2.	-100.0 to +100.0	0.0%	Programming
◆ Denotes that parameter can be changed when the drive is running. * Menu location is Quick Setting when b5-01=1, and Programming when b5-01=0.					

Table A.1 Parameter List (Continued)

Parameter No.	Parameter Name LCD Digital Operator Display	Description	Setting Range	Factory Setting	Menu Location
b5-08 ◆	PI Primary Delay Time Constant PI Delay Time	Sets the amount of time for a filter on the output of the PI controller.	0.00 to 10.00	0.00sec	Programming
b5-09	PI Output Level Selection Output Level Sel	Determines whether the PI controller will be direct or reverse acting. 0: Normal Output (direct acting) 1: Reverse Output (reverse acting)	0 or 1	0	Programming
◆Denotes that parameter can be changed when the drive is running.					
b5-10	PI Output Gain Setting Output Gain	Sets the output gain of the PI controller.	0.0 to 25.0	1.0	Programming
b5-11	PI Output Reverse Selection Output Rev Sel	0: 0 limit (when PI output goes negative Drive stops) 1: Reverse (when PI goes negative Drive reverses) 0 limit automatic when reverse prohibit is selected using b1-04	0 or 1	0	Programming
b5-12	PI Feedback Reference Missing Detection Selection Fb los Det Sel	0: Disabled 1: Alarm 2: Fault	0 to 2	0	Programming
b5-13	PI Feedback Loss Detection Level Fb los Det Lvl	Sets the PI feedback loss detection level as a percentage of maximum frequency (E1-04).	0 to 100	0%	Programming
b5-14	PI Feedback Loss Detection Time Fb los Det Time	Sets the PI feedback loss detection delay time in terms of seconds.	0.0 to 25.5	1.0sec	Programming
b5-15	Sleep Function Start Level Sleep Level	Sets the sleep function start frequency.	0.0 to 200.0	0.0Hz	Programming
b5-16	Sleep Delay Time Sleep Time	Sets the sleep function delay time in terms of seconds.	0.0 to 25.5	0.0sec	Programming
b5-17	PI Accel/Decel Time Acc/Dec Time	Applies an accel/decel time to the PI setpoint reference.	0.0 to 25.5	0.0sec	Programming
b5-18	PI Setpoint Selection PI Setpoint Sel	0: Disabled 1: Enabled	0 or 1	0	Programming
b5-19 ◆	PI Setpoint Value PI Setpoint	Depends on b5-20.	0.00 to 100.00**	0.00%	Programming
b5-20	PI Setpoint Display Scaling Setpoint Scaling	Set display/setting Unit of b5-19, U1-24, and U1-38.	0 to 39999	1	Programming
b5-21	PI Sleep Input Source PI Sleep Source	Input Source Selection for Sleep function Mode. 0: PI Setpoint 1: SFS Input (This is near the PI output) 2: Snooze	0 to 2	1	Programming
b5-22 ◆	PI Snooze Level Snooze Level	Sets the PI snooze function start level as a percentage of maximum frequency (E1-04).	0 to 100	0%	Programming
b5-23	PI Snooze Delay Time Snooze Delay Time	Sets the PI snooze function delay time in terms of seconds.	0 to 3600	0sec	Programming
b5-24	PI Snooze Deactivation Level Wake-Up Level	When the PI feedback drops below this level, normal PI operation starts again. Set as a percentage of maximum frequency (E1-04).	0 to 100	0%	Programming
b5-25	PI Setpoint Boost Setting Setpoint Boost	Temporary increase of PI setpoint to create an overshoot of the intended PI setpoint.	0 to 100	0%	Programming
b5-26	PI Maximum Boost Time Max Boost Time	Sets a time limitation for reaching temporarily boosted PI setpoint (intended PI setpoint + b5-25).	0 to 3600	0sec	Programming
b5-27	PI Snooze Feedback Level Snooze Feedback	PI snooze mode will be activated when PI feedback is above this level. Set as a percentage of maximum frequency (E1-04).	0 to 100	60%	Programming
◆Denotes that parameter can be changed when the drive is running. ** Range depends on b5-20 setting. Units depend on b5-31 setting.					

Table A.1 Parameter List (Continued)

Parameter No.	Parameter Name LCD Digital Operator Display	Description	Setting Range	Factory Setting	Menu Location
b5-28	PI Feedback Square Root Function Selection PI Feedback SqRt	0: Disabled 1: Enabled	0 or 1	0	Programming
b5-29	PI Square Root Gain PI Fb SqRt Gain	A multiplier applied to the square root of the feedback.	0.00 to 2.00	1.00	Programming
b5-30	Output Square Root Monitor Selection PI Out Moni SqRt	0: Disabled 1: Enabled	0 or 1	0	Programming
b5-31	PI Unit Selection PI Unit Sel	Sets units for b5-19, U1-24, U1-38. 0: WC:InchOfWater 1: PSI:lb/SqrInch 2: GPM:Gallons/Min 3: F:DegFahrenheit 4: CFM:Cubic ft/Min 5: CMH:Cubic M/Hr 6: LPH:Liters/Hr 7: LPS:Liters/Sec 8: Bar:Bar 9: Pa:Pascals 10: C:DegCelsius 11: Mtr:Meters	0 to 11	0	Quick Setting*
Energy Saving					
b8-01	Energy Saving Control Selection Energy Save Sel	Energy Savings function enable/disable selection 0: Disabled 1: Enabled	0 or 1	0	Quick Setting
b8-04	Energy Saving Coefficient Value Energy Save COEF	Used to fine-tune the energy savings function.	0.0 to 655.00	kVA Dependent	Programming
b8-05	Power Detection Filter Time kW Filter Time		0 to 2000	20ms	Programming
b8-06	Search Operation Voltage Limit Search V Limit		0 to 100	0%	Programming
Accel / Decel					
C1-01 ◆	Acceleration Time 1 Accel Time 1	Sets the time to accelerate from zero to maximum frequency.	0.0 to 6000.0	30.0sec	Quick Setting
C1-02 ◆	Deceleration Time 1 Decel Time 1	Sets the time to decelerate from maximum frequency to zero.		30.0sec	Quick Setting
C1-03 ◆	Acceleration Time 2 Accel Time 2	Sets the time to accelerate from zero to maximum frequency when selected via a multi-function input.		30.0sec	Programming
C1-04 ◆	Deceleration Time 2 Decel Time 2	Sets the time to decelerate from maximum frequency to zero when selected via a multi-function input.		30.0sec	Programming
C1-09	Fast Stop Time Fast Stop Time	Sets the time to decelerate from maximum frequency to zero for the "Fast Stop" function.	0.0 to 6000.0	10.0sec	Programming
C1-11	Accel/Decel Switch Frequency Acc/Dec SW Freq	Sets the frequency for automatic switching of accel / decel times. Fout < C1-11: Accel/Decel Time 2 Fout >= C1-11: Accel/Decel Time 1 Multi-function input "Multi-Acc/Dec 1" has priority over C1-11.	0.0 to 200.0	0.0Hz	Programming
◆ Denotes that parameter can be changed when the Drive is running. * Menu location is Programming when PI is disabled and Quick Setting when PI is enabled.					

Table A.1 Parameter List (Continued)

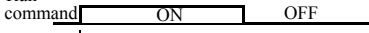
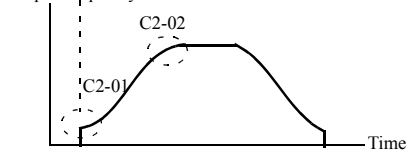
Parameter No.	Parameter Name LCD Digital Operator Display	Description	Setting Range	Factory Setting	Menu Location
S-Curve Acc/Dec					
C2-01	S-Curve Characteristic at Accel Start SCrv Acc @ Start	S-curve is used to further soften the starting ramp. The longer the S-curve time, the softer the starting ramp. Run command  Output frequency 	0.00 to 2.50	0.20sec	Programming
C2-02	S-Curve Characteristic at Accel End SCrv Acc @ End		0.00 to 2.50	0.20sec	Programming
Torque Comp					
C4-01 ◆	Torque Compensation Gain Torq Comp Gain	This parameter helps to produce better starting torque. It determines the amount of torque or voltage boost based upon motor current and motor resistance.	0.00 to 2.50	1.00	Programming
C4-02	Torque Compensation Primary Delay Time Torq Comp Time	This parameter adjusts a filter on the output of the torque compensation function. Increase to add torque stability, decrease to improve torque response.	0 to 10000	200ms	Programming
Carrier Freq					
C6-01	Normal Duty Selection Normal Duty Sel	1: Normal Duty 1 2: Normal Duty 2	1 or 2	2	Programming
C6-02	Carrier Frequency Selection CarrierFreq Sel	Carrier frequency sets the number of pulses per second of the output voltage waveform. 0: Low Noise (Carrier frequency is randomly modulated for lower audible noise) 1: Fc = 2.0 kHz 2: Fc = 5.0 kHz 3: Fc = 8.0 kHz 4: Fc = 10.0 kHz 5: Fc = 12.5 kHz 6: Fc = 15.0 kHz F: Program (Determined by the settings of C6-03 thru C6-05)	0 to F	kVA Dependent	Programming
C6-03	Carrier Frequency Upper Limit CarrierFreq Max	Maximum carrier frequency allowed when C6-02 = F.	0.4 to 15.0 kHz	kVA Dependent	Programming
C6-04	Carrier Frequency Lower Limit CarrierFreq Min	Minimum carrier frequency allowed when C6-02 = F.	0.4 to 15.0 kHz	kVA Dependent	Programming
C6-05	Carrier Frequency Proportional Gain CarrierFreq Gain	Sets the relationship of output frequency to carrier frequency when C6-02 = F.	0 to 99	0	Programming
Preset Reference (Speeds)					
d1-01 ◆	Frequency Reference 1 Reference 1	Digital preset speed command 1. Used when b1-01 = 0 and when in "hand" mode. Setting units are affected by o1-03.	0.00 to E1-04 Value	0.00Hz	Programming
d1-02 ◆	Frequency Reference 2 Reference 2	Digital preset speed command 2. Selected via multi-function input terminals. Setting units are affected by o1-03.		0.00Hz	Programming
d1-03 ◆	Frequency Reference 3 Reference 3	Digital preset speed command 3. Selected via multi-function input terminals. Setting units are affected by o1-03.		0.00Hz	Programming
d1-04 ◆	Frequency Reference 4 Reference 4	Digital preset speed command 4. Selected via multi-function input terminals. Setting units are affected by o1-03.		0.00Hz	Programming
d1-17 ◆	Jog Frequency Reference Jog Reference	Speed command used when a jog is selected via multi-function input terminals. Setting units are affected by o1-03.	0.00 to E1-04 Value	6.00Hz	Programming
◆Denotes that parameter can be changed when the drive is running.					

Table A.1 Parameter List (Continued)

Parameter No.	Parameter Name LCD Digital Operator Display	Description	Setting Range	Factory Setting	Menu Location
Reference Limits					
d2-01	Frequency Reference Upper Limit Ref Upper Limit	Determines maximum speed command, set as a percentage of parameter E1-04. If speed command is above this value, actual drive speed will be limited to this value. This parameter applies to all speed command sources.	0.0 to 110.0	100.0%	Quick Setting
d2-02	Frequency Reference Lower Limit Ref Lower Limit	Determines minimum speed command, set as a percentage of parameter E1-04. If speed command is below this value, actual drive speed will be set to this value. This parameter applies to all speed command sources.	0.0 to 110.0	0.0%	Quick Setting
d2-03	Master Speed Reference Lower Limit Refl Lower Limit	Determines the minimum speed command, set as a percentage of parameter E1-04. If speed command is below this value, actual drive speed will be set to this value. This parameter only applies to analog inputs A1 and A2.	0.0 to 110.0	0.0%	Programming
Jump Frequencies					
d3-01	Jump Frequency 1 Jump Freq 1	These parameters allow programming of up to three prohibited frequency points for eliminating problems with resonant vibration of the motor / machine. This feature does not actually eliminate the selected frequency values, but will accelerate and decelerate the motor through the prohibited bandwidth.	0.0 to 200.0	0.0Hz	Programming
d3-02	Jump Frequency 2 Jump Freq 2			0.0Hz	Programming
d3-03	Jump Frequency 3 Jump Freq 3			0.0Hz	Programming
d3-04	Jump Frequency Width Jump Bandwidth	This parameter determines the width of the deadband around each selected prohibited frequency point. A setting of "1.0" will result in a deadband of +/- 1.0 Hz.	0.0 to 20.0	1.0Hz	Programming
MOP and Trim Control					
d4-01	MOP Ref Memory	0: Disabled 1: Enabled	0 or 1	0	Programming
d4-02	Trim Control Level Trim Control Lvl	Set the percentage of maximum speed to be added or subtracted via multi-function inputs.	0 to 100	10%	Programming

Table A.1 Parameter List (Continued)

Parameter No.	Parameter Name LCD Digital Operator Display	Description	Setting Range	Factory Setting	Menu Location
V/F Pattern					
E1-01	Input Voltage Setting Input Voltage	Set to the nominal voltage of the incoming line.	155 to 255.0 (240V) 310 to 510.0 (480V)	240V 480V	Quick Setting
E1-03	V/F Pattern Selection V/F Selection	0: 50Hz 1: 60 Hz Saturation 2: 50 Hz Saturation 3: 72 Hz 4: 50 Hz VT1 5: 50 Hz VT2 6: 60 Hz VT1 7: 60 Hz VT2 8: 50 Hz HST1 9: 50 Hz HST2 A: 60 Hz HST1 B: 60 Hz HST2 C: 90 Hz D: 120 Hz F: Custom V/F FF: Custom w/o limit	0 to FF	F	Programming
E1-04	Maximum Output Frequency Max Frequency	<p>Output voltage (V)</p> <p>Frequency (Hz)</p> <p>To set V/f characteristics in a straight line, set the same values for E1-07 and E1-09. In this case, the setting for E1-08 will be disregarded. Always ensure that the four frequencies are set in the following manner: E1-04 (FMAX) ≥ E1-06 (FA) > E1-07 (FB) ≥ E1-09 (FMIN)</p>	0.0 to 120.0	60.0Hz	Programming
E1-05	Maximum Output Voltage Max Voltage		0 to 255.0 (240V) 0 to 510.0 (480V)	230.0V 460.0V	Programming
E1-06	Base Frequency Base Frequency		0.0 to 200.0	60.0Hz	Programming
E1-07	Mid Output Frequency A Mid Frequency A		0.0 to 200.0	3.0Hz	Programming
E1-08	Mid Output Voltage A Mid Voltage A		0 to 255.0 (240V) 0 to 510.0 (480V)	18.0VAC	Programming
E1-09	Minimum Output Frequency Min Frequency		0.0 to 200.0	1.5Hz	Programming
E1-10	Mid Output Voltage Min Voltage		0 to 255.0 (240V) 0 to 510.0 (480V)	10.8VAC	Programming
E1-11	Mid Output Frequency B Mid Frequency B		0.0 to 200.0	0.0Hz	Programming
E1-12	Mid Output Voltage B Mid Voltage B		0 to 255.0 (240V) 0 to 510.0 (480V)	0.0VAC	Programming
E1-13	Base Voltage Base Voltage		0 to 255.0 (240V) 0 to 510.0 (480V)	0.0VAC	Programming

Table A.1 Parameter List (Continued)

Parameter No.	Parameter Name LCD Digital Operator Display	Description	Setting Range	Factory Setting	Menu Location
Motor Setup					
E2-01	Motor Rated Current Motor Rated FLA	Set to the motor nameplate full load amps.	10% to 200%	kVA Dependent	Quick Setting
E2-03	No-Load Current	Sets the magnetizing current of the motor.	kVA Dependent	kVA Dependent	Programming
E2-05	Motor Line-to-Line Resistance Term Resistance	Phase to phase motor resistance, normally set by the autotuning routine.	0.000 to 65.000	kVA Dependent	Programming
Com OPT Setup					
F6-01	Operation Selection after Communication Error Comm Bus Flt Sel	Sets the stopping method for option PCB communications error (BUS fault). Active only when a communications option PCB is installed and when b1-01 or b1-02 = 3. 0: Ramp to Stop 1: Coast to Stop 2: Fast-Stop 3: Alarm Only	0 to 3	1	Programming
F6-02	Detection Selection of External Fault from Communication Option Card EF0 Detection	0: Always detected 1: Detected only during run	0 or 1	0	Programming
F6-03	Stopping Method for External Fault from Communication Option Card EF0 Fault Action	0: Ramp to Stop 1: Coast to Stop 2: Fast-Stop 3: Alarm Only	0 to 3	1	Programming
F6-05	Current Monitor Display Unit Selection Current Unit Sel	0: A Display (Amps Display) 1: 100%/8192 (Drive Rated Current)	0 or 1	0	Programming

Table A.1 Parameter List (Continued)

Parameter No.	Parameter Name LCD Digital Operator Display	Description	Setting Range	Factory Setting	Menu Location
Digital Inputs					
H1-01	Terminal S3 Function Selection Terminal S3 Sel	0: 3-wire control FWD/REV selection for 3-wire sequence 1: Local/Remote Sel Hand/Auto Selection - Closed = Hand, Open = Auto 2: Option/Inv Sel Selects source of speed command and sequence Closed = b1-01 & b1-02, Open = Option Card 3: Multi-Step Ref 1 Closed = speed command from d1-02 or Aux Terminal Open = speed command determined by b1-01 4: Multi-Step Ref 2 Closed = speed command from d1-03 or d1-04 Open speed command determined by b1-01 6: Jog Freq Ref Closed = speed command from d1-17 Open = speed command determined by b1-01 7: Multi-Acc/Dec 1 Closed = Accel & Decel Ramps determined by C1-03 & C1-04, Open = Accel & Decel Ramps determined by C1-01 & C1-02 8: Ext BaseBlk N.O. Closed = Output transistors forced off Open = Normal operation 9: Ext BaseBlk N.C. Closed = Normal Operation Open = Output transistors forced off A: Acc/Dec Ramp Hold Closed = Acceleration suspended and speed held Open = Normal Operation C: Term A2 Enable Closed = Terminal A2 is active Open = Terminal A2 is disabled F: Term Not Used Terminal has no effect 10: MOP Increase Closed = Speed Command Increases Open = Speed Command Held. Must be set in conjunction with MOP Decrease and b1-02 must be set to 1. 11: MOP Decrease Closed = Speed Command Decreases Open = Speed Command Held. Must be set in conjunction with MOP Increase and b1-02 must be set to 1.	0 to 6E	24	Programming
H1-02	Terminal S4 Function Selection Terminal S4 Sel	(Continued on following page).	0 to 6E	14	Programming

Table A.1 Parameter List (Continued)

Parameter No.	Parameter Name LCD Digital Operator Display	Description	Setting Range	Factory Setting	Menu Location
H1-03	Terminal S5 Function Selection Terminal S5 Sel	<p>12: Forward Jog Closed = drive runs forward at speed command entered into parameter d1-17</p> <p>13: Reverse Jog Closed = drive runs in reverse at speed command entered into parameter d1-17</p> <p>14: Fault Reset Closed = Resets the drive after the fault and the run command have been removed</p> <p>15: Fast-Stop N.O. Closed = Drive decelerates using C1-09, regardless of run command status</p> <p>17: Fast-Stop N.C. Closed = Normal operation Open = Drive decelerates using C1-09, regardless of run command status</p> <p>18: Timer Function Input for independent timer, controlled by b4-01 and b4-02. Used in conjunction with a multi-function digital output.</p> <p>19: PI Disable Turns off the PI controller, and PI setpoint becomes speed command</p> <p>1B: Program Lockout Closed = All parameter settings can be changed. Open = Only speed command at U1-01 can be changed.</p> <p>1C: TrimCtl Increase Closed = Increase motor speed by value in d4-02. Open = Return to normal speed command. Not effective when using d1-01 thru d1-04 as a speed command. Must be used in conjunction with Trim Ctrl Decrease.</p> <p>1D: Trim Ctl Decrease Closed = Decrease motor speed by value in d4-02 Open = Return to normal speed command. Not effective when using d1-01 thru d1-04 as speed command. Must be used in conjunction with Trim Ctrl Increase.</p>	0 to 6E	3: 2-wire 0: 3-wire	Programming

Table A.1 Parameter List (Continued)

Parameter No.	Parameter Name LCD Digital Operator Display	Description	Setting Range	Factory Setting	Menu Location
Digital Inputs					
H1-04	Terminal S6 Function Selection Terminal S6 Sel	<p>1E: Ref Sample Hold Analog speed command is sampled then held at time of input closure.</p> <p>20: External fault, Normally Open, Always Detected, Ramp To Stop</p> <p>21: External fault, Normally Closed, Always Detected, Ramp To Stop</p> <p>22: External fault, Normally Open, During Run, Ramp To Stop</p> <p>23: External fault, Normally Closed, During Run, Ramp To Stop</p> <p>24: External fault, Normally Open, Always Detected, Coast To Stop</p> <p>25: External fault, Normally Closed, Always Detected, Coast To Stop</p> <p>26: External fault, Normally Open, During Run, Coast To Stop</p> <p>27: External fault, Normally Closed, During Run, Coast To Stop</p> <p>28: External fault, Normally Open, Always Detected, Fast-Stop</p> <p>29: External fault, Normally Open, Always Detected, Fast-Stop</p> <p>2A: External fault, Normally Open, During Run, Fast-Stop</p> <p>2B: External fault, Normally Closed, During Run, Fast-Stop</p> <p>2C: External fault, Normally Open, Always Detected, Alarm Only</p> <p>2D: External fault, Normally Closed, Always Detected, Alarm Only</p> <p>2E: External fault, Normally Open, During Run, Alarm Only</p> <p>2F: External fault, Normally Closed, During Run, Alarm Only</p> <p>30: PI Integral Reset Resets the PI Integral component to zero when closed</p> <p>31: PI Integral Hold Holds the PI integral value when closed</p> <p>34: PI SFS Cancel (SFS= SoftStart, also called Accel/Decel, See Parameter b5-17)</p> <p>35: PI Input Level Sel Inverts the PI error signal when closed</p> <p>36: Option/Inv Sel 2 Selects source of speed command and sequence Closed = Option Card, Open = b1-01 & b1-02</p> <p>60: Motor Preheat Applies current to create heat to avoid condensation Closed = Apply amount of current as set in parameter b2-09</p>	0 to 6E	4: 2-wire 3: 3-wire	Programming
H1-05	Terminal S7 Function Selection Terminal S7 Sel	<p>61: Speed Search 1 When closed as a run command is given, drive does a speed search starting at maximum frequency (E1-04). (current detection)</p> <p>62: Speed Search 2 When closed as a run command is given, drive does a speed search starting at speed command. (current detection)</p> <p>64: Speed Search 3 When opened, the Drive performs a baseblock (motor coasts). When closed, the Drive performs Speed Search from set frequency.</p> <p>67: Com Test Mode - Used to test RS-485/422 interface.</p> <p>68: High Slip Braking - Closed = Drive stops using High Slip Braking regardless of run command status.</p> <p>69: Jog2 - Closed = Drive runs at speed command entered into parameter d1-17. Direction determined by fwd/rev input. 3-wire control Only.</p> <p>6A: Drive Enable - Closed = Drive will accept run command. Open = Drive will not run. If running, drive will stop per b1-03. Run Command must be cycled</p> <p>6B: Com/Inv Sel - Selects source of Speed Command and Sequence. Closed = Serial Communication (R+,R-,S+,S-), Open = b1-01 & b1-02</p> <p>6C: Com/Inv Sel 2 - Selects source of Speed Command and Sequence. Closed = b1-01 & b1-02, Open = Serial Communication (R+,R-,S+,S-)</p> <p>6D: Auto Mode Sel - Hand/Auto Selection - Closed = Auto, Open = Hand</p> <p>6E: Hand Mode Sel - Hand/Auto Selection - Closed = Hand, Open = Auto</p> <p>70: Bypass/Drv Enbl. Same as 6A except a run command is accepted</p> <p>80: Motor Preheat 2 - Closed = Enable motor preheat with the current level as set by b2-10</p> <p>81: EmergOverrideFWD - Closed = Forward Emergency Override Command</p> <p>82: EmergOverrideREV - Closed = Reverse Emergency Override Command</p>	0 to 6E	6: 2-wire 4: 3-wire	Programming

Table A.1 Parameter List (Continued)

Parameter No.	Parameter Name LCD Digital Operator Display	Description	Setting Range	Factory Setting	Menu Location
Digital Outputs					
H2-01	Terminal M1-M2 Function Selection Term M1-M2 Sel	<p>0: During RUN 1 = Closed when a run command is input or the drive is outputting voltage.</p> <p>1: Zero Speed = Closed when drive output frequency is less than Fmin (E1-09)</p> <p>2: Fref/Fout Agree 1 = Closed when drive output speed equals the speed command within the bandwidth of L4-02.</p> <p>3: Fref/Set Agree 1 = Closed when the drive output speed and the speed command are equal to the value in L4-01 within the bandwidth of L4-02.</p> <p>4: Freq Detect 1 = Closed when the drive output speed is less than or equal to the value in L4-01, with hysteresis determined by L4-02.</p> <p>5: Freq Detect 2 = Closed when the drive output speed is greater than or equal to the value in L4-01, with hysteresis determined by L4-02.</p> <p>6: Inverter Ready = Closed when the drive is not in a fault state, and not in program mode.</p> <p>7: DC Bus Undervolt = Closed when the DC bus voltage falls below the UV trip level (L2-05)</p> <p>8: Base Blk 1 = Closed when the drive is not outputting voltage.</p> <p>9: Operator Reference = Closed when the speed command is coming from the digital operator.</p> <p>A: Remote/Auto Oper = Closed when the run command is coming from the digital operator.</p> <p>B: Trq Det 1 N.O. - Closes when the output current exceeds the value set in parameter L6-02 for more time than is set in parameter L6-03.</p> <p>C: Loss of Ref - Closes when the drive has detected a loss of analog speed command. Speed command is considered lost when it drops 90% in 0.4 seconds. Parameter L4-05 determines drive reaction to a loss of speed command.</p> <p>D: DB Overheat</p> <p>E: Fault - Closes when the drive experiences a major fault.</p> <p>F: Not Used</p> <p>10: Minor Fault - Closes when drive experiences a minor fault or alarm.</p> <p>11: Reset Cmd Active - Closes when the drive receives a reset command from terminals or serial comms.</p> <p>12: Timer Output - Output for independent timer, controlled by b4-01 and b4-02. Used in conjunction with a multi-function digital input.</p> <p>17: Trq. Det 1 N.C. - Opens when the output current exceeds the value set in parameter L6-02 for more time than is set in parameter L6-03.</p> <p>1A: Reverse Dir - Closes when the drive is running in the reverse direction.</p> <p>1E: Restart Enabled - Closes when the drive is performing an automatic restart. Automatic restart is configured by parameter L5-01.</p> <p>1F: Overload (OL1) - Closes before a motor overload occurs. (90% of OL1 time)</p> <p>20: OH Prealarm - Closes when the Drive's heatsink temperature exceeds the setting of parameter L8-02.</p> <p>38: Drive Enable - Closes when the drive enable input is active.</p> <p>39: Waiting to Run - Closes during the time after a run command is issued, but the Drive is not running due to the time set in parameter b1-10.</p> <p>3A: OH Freq Reduce</p> <p>3B: Run Src Com/Opt</p> <p>3D: Cooling Fan Err = Closed during internal cooling fan failure</p>	0 to 3B	0	Programming
H2-02	Terminal M3-M4 Function Selection Term M3-M4 Sel	<p>10: Minor Fault - Closes when drive experiences a minor fault or alarm.</p> <p>11: Reset Cmd Active - Closes when the drive receives a reset command from terminals or serial comms.</p> <p>12: Timer Output - Output for independent timer, controlled by b4-01 and b4-02. Used in conjunction with a multi-function digital input.</p> <p>17: Trq. Det 1 N.C. - Opens when the output current exceeds the value set in parameter L6-02 for more time than is set in parameter L6-03.</p> <p>1A: Reverse Dir - Closes when the drive is running in the reverse direction.</p> <p>1E: Restart Enabled - Closes when the drive is performing an automatic restart. Automatic restart is configured by parameter L5-01.</p> <p>1F: Overload (OL1) - Closes before a motor overload occurs. (90% of OL1 time)</p> <p>20: OH Prealarm - Closes when the Drive's heatsink temperature exceeds the setting of parameter L8-02.</p> <p>38: Drive Enable - Closes when the drive enable input is active.</p> <p>39: Waiting to Run - Closes during the time after a run command is issued, but the Drive is not running due to the time set in parameter b1-10.</p> <p>3A: OH Freq Reduce</p> <p>3B: Run Src Com/Opt</p> <p>3D: Cooling Fan Err = Closed during internal cooling fan failure</p>	0 to 3B	A	Programming

Table A.1 Parameter List (Continued)

Parameter No.	Parameter Name LCD Digital Operator Display	Description	Setting Range	Factory Setting	Menu Location
Analog Inputs					
H3-02 ◆	Terminal A1 Gain Setting Terminal A1 Gain	Sets the speed command when 10V is input, as a percentage of the maximum output frequency (E1-04).	0.0 to 1000.0	100.0%	Programming
H3-03 ◆	Terminal A1 Bias Setting Terminal A1 Bias	Sets the speed command when 0V is input, as a percentage of the maximum output frequency (E1-04).	-100.0 to +100.0	0.0%	Programming
H3-08	Terminal A2 Signal Level Selection Term A2 Signal	Selects the signal level of terminal A2. 0: 0 - 10VDC (switch S1-2 must be in the off position) 2: 4 - 20 mA (switch S1-2 must be in the on position)	0 or 2	2	Programming*
H3-09	Aux Terminal Function Selection Terminal A2 Sel	Selects what effect the Aux terminal (A2) has on the drive. 0: Frequency Bias - 0 - 100% bias 2: Aux Reference B: PI Feedback D: Frequency Bias 2 - 0 - 100% bias E: Motor Temperature - See parameters L1-03 & L1-04 16: PI Differential 1F: Not Used	0 to 1F	2**	Programming*
H3-10 ◆	Terminal A2 Gain Setting Terminal A2 Gain	Sets the level of the A2 function corresponding to a 10V input (in%).	0.0 to 1000.0	100.0%	Programming
H3-11 ◆	Terminal A2 Bias Setting Terminal A2 Bias	Sets the level of the A2 function corresponding to a 0V input (in%).	-100.0 to +100.0	0.0%	Programming
H3-12	Analog Input Filter Time Constant Filter Avg Time	Used to "smooth" out erratic or noisy analog input signals.	0.00 to 2.00	0.30sec	Programming
H3-13	Master Frequency Reference Terminal Selection TA1/A2 Select	Determines which terminal will be the main reference source. 0: Main Fref TA1 - Terminal TA1 is the main speed command and Terminal TA2 is the Aux speed command. 1: Main Fref TA2 - Terminal TA2 is the main speed command and Terminal TA1 is the Aux speed command. Only effective when H3-09 is set to 2 "Aux Reference".	0 or 1	0	Programming*
<p>◆ Denotes that parameter can be changed when the drive is running. * Menu location is Quick Setting when b5-01=1, and Programming when b5-01=0. ** Factory setting changes to "B" when b5-01=1.</p>					

Table A.1 Parameter List (Continued)

Parameter No.	Parameter Name LCD Digital Operator Display	Description	Setting Range	Factory Setting	Menu Location
Analog Outputs					
H4-01	Terminal FM Monitor Selection Terminal FM Sel	Selects which monitor will be output on terminals FM and AC. 1: Frequency Ref (100% = max. output frequency) 2: Output Freq (100% = max. output frequency) 3: Output Current (100% = drive rated current) 6: Output Voltage (100% = 230V or 100% = 460V) 7: DC Bus Voltage (100% = 400V or 100% = 800V) 8: Output kWatts (100% = drive rated power) 15: Term A1 Level 16: Term A2 Level 18: Mot SEC Current (100% = Motor rated secondary current) 20: SFS Output (100% = max. output frequency) 24: PI Feedback 31: Not Used 36: PI Input 37: PI Output (100% = max. output frequency) 38: PI Setpoint 51: Auto Mode Fref (100% = max. output frequency) 52: Hand Mode Fref (100% = max. output frequency) 53: PI Feedback 2 NOTE: 100% = 10V DC output * FM gain setting (H4-02).	1 to 53	2	Programming
H4-02 ◆	Terminal FM Gain Setting Terminal FM Gain	Sets terminal FM output voltage (in percent of 10V) when selected monitor is at 100% output.	0.0 to 1000.0	100.0%	Programming
H4-03 ◆	Terminal FM Bias Setting Terminal FM Bias	Sets terminal FM output voltage (in percent of 10V) when selected monitor is at 0% output.	-110.0 to 110.0	0.0%	Programming
H4-04	Terminal AM Monitor Selection Terminal AM Sel	Selects which monitor will be output on terminals AM and AC. 1: Frequency Ref (100% = max. output frequency) 2: Output Freq (100% = max. output frequency) 3: Output Current (100% = drive rated current) 6: Output Voltage (100% = 230V or 100% = 460V) 7: DC Bus Voltage (100% = 400V or 100% = 800V) 8: Output kWatts (100% = drive rated power) 15: Term A1 Level 16: Term A2 Level 18: Mot SEC Current (100% = Motor rated secondary current) 20: SFS Output (100% = max. output frequency) 24: PI Feedback 31: Not Used 36: PI Input 37: PI Output (100% = max. output frequency) 38: PI Setpoint 51: Auto Mode Fref (100% = max. output frequency) 52: Hand Mode Fref (100% = max. output frequency) 53: PI Feedback 2 NOTE: 100% = 10V DC output * AM gain setting (H4-05).	1 to 53	8	Programming
H4-05 ◆	Terminal AM Gain Setting Terminal AM Gain	Sets terminal AM output voltage (in percent of 10V) when selected monitor is at 100% output.	0.0 to 1000.0	50.0%	Programming
◆Denotes that parameter can be changed when the drive is running.					

Table A.1 Parameter List (Continued)

Parameter No.	Parameter Name LCD Digital Operator Display	Description	Setting Range	Factory Setting	Menu Location
Analog Outputs					
H4-06 ◆	Terminal AM Bias Setting Terminal AM Bias	Sets terminal AM output voltage (in percent of 10V) when selected monitor is at 0% output.	-110.0 to 110.0	0.0%	Programming
H4-07	Terminal FM Signal Level Selection AO Level Select1	0: 0 - 10 VDC 2: 4-20 mA*	0 or 2	0	Programming
H4-08	Terminal AM Signal Level Selection AO Level Select2	0: 0 - 10 VDC 2: 4-20 mA* * An analog output of 4 - 20 mA can not be used with the standard terminal board. Therefore an optional terminal board (with shunt connector CN15) is needed.	0 or 2	0	Programming
Serial Com Setup					
H5-01	Drive Node Address Serial Comm Adr	Selects drive station node number (address) for terminals R+, R-, S+, S-.* An address of "0" disables serial com.	0 to 20 (H5-08=0) 0 to FF (H5-08=1) 0 to 63 (H5-08=2)	1F #	Programming
H5-02	Communication Speed Selection Serial Baud Rate	Selects the baud rate for terminals R+, R-, S+ and S-.* 0: 1200 Baud 1: 2400 Baud 2: 4800 Baud (APOGEE FLN) 3: 9600 Baud (Metasys N2) 4: 19200 Baud	0 to 4	3	Programming
H5-03	Communication Parity Selection Serial Com Sel	Selects the communication parity for terminals R+, R-, S+ and S-.* 0: No Parity 1: Even Parity 2: Odd Parity	0 to 2	0	Programming
H5-04	Stopping Method after Communication Error Serial Fault Sel	Selects the stopping method when a communication error is detected. 0: Ramp to Stop 1: Coast to Stop 2: Fast-Stop 3: Alarm Only 4: Run at d1-04 - available when H5-08="1: N2 METASYS" or "2: FLN APOGEE"	0 to 3	3	Programming
H5-05	Communication Error Detection Selection Serial Flt Dctt	Enables or disables the communications timeout detection function. 0: Disabled - A communications loss will NOT cause a communications fault. 1: Enabled - If communications are lost for more than the time specified in parameter H5-09, a communications fault will occur.	0 or 1	1	Programming
H5-06	Drive Transmit Wait Time Transmit WaitTIM	Sets the time from when the drive receives data to when the drive sends data.	5 to 65	5ms	Programming
H5-07	RTS Control Selection RTS Control Sel	Enables or disables "request to send" (RTS) control: 0: Disabled (RTS is always on) 1: Enabled (RTS turns on only when sending)	0 or 1	1	Programming
H5-08	Communication Protocol Selection Protocol Select	Selects the communication protocol. 0: Memobus (Modbus) 1: N2 (Metasys) 2: FLN (APOGEE)	0 to 2	0	Programming
H5-09	Communication Error Detection Time CE Detect Time	Determines how long communications must be lost before a fault is annunciated. Works in conjunction with parameters H5-05 and H5-04.	0 to 10.0 (H5-08=0) 0 to 10.0 (H5-08=1) 0 to 90.0 (H5-08=2)	2.0sec	Programming

◆Denotes that parameter can be changed when the drive is running.

* After these parameters are changed, drive power must be cycled before the changes will take effect.

Hex, see page A-30.

Table A.1 Parameter List (Continued)

Parameter No.	Parameter Name LCD Digital Operator Display	Description	Setting Range	Factory Setting	Menu Location
		Motor Overload			
L1-01	Motor Overload Protection Selection MOL Fault Select	Enables or disables the motor thermal overload protection. 0: Disabled 1: Std Fan Cooled (Enabled) 2: Std Blower Cooled 3: Vector Motor	0 to 1	1	Programming
L1-02	Motor Overload Protection Time MOL Time Const	Determines how much time will elapse prior to a motor overload fault (OL1), when motor amps exceed the value set in parameter E2-01 by 10%. Actual (OL1) trip time will vary depending on severity of overload.	0.1 to 20.0	8.0min	Programming
L1-03	Motor Overheat Alarm Operation Selection Mtr OH Alarm Sel	Operation selection when the motor temperature analog input (H3-09=E) exceeds the OH3 alarm level (1.17V) 0: Ramp to Stop 1: Coast to Stop 2: Fast-Stop 3: Alarm Only	0 to 3	3	Programming
L1-04	Motor Overheat Fault Operation Selection Mtr OH Fault Sel	Stopping method when the motor temperature analog input (H3-09=E) exceeds the OH4 level (2.34V). 0: Ramp to Stop 1: Coast to Stop 2: Fast-Stop	0 to 2	1	Programming
L1-05	Motor Temperature Input Filter Time Mtr Temp Filter	Delay Time applied to motor temperature analog input (H3-09=E) for filtering purposes.	0.00 to 10.00	0.20sec	Programming
		PwrLoss Ridethru			
L2-01	Momentary Power Loss Detection Selection PwrL Selection	Enables and disables the momentary power loss function. 0: Disabled - Drive trips on (UV1) fault when power is lost. 1: PwrL Ride Thru t - Drive will restart if power returns within the time set in L2-02.* 2: CPU Power Active - Drive will restart if power returns prior to internal power supply shut down.* * In order for a restart to occur, the run command must be maintained throughout the ride thru period.	0 to 2	2	Programming
L2-02	Momentary Power Loss Ride-thru Time PwrL Ridethru t	Determines the power loss ride-thru time. This value is dependent on the capacity of the drive. Only effective when L2-01 = 1.	0.0 to 25.5sec	kVA Dependent	Programming
L2-03	Momentary Power Loss Minimum Base Block Time PwrL Baseblock t	Used to allow the residual motor voltage to decay before the drive output turns back on. After a power loss, if L2-03 is greater than L2-02, operation resumes after the time set in L2-03.	0.1 to 5.0sec	kVA Dependent	Programming
L2-04	Momentary Power Loss Voltage Recovery Ramp Time PwrL V/F Ramp t	The time it takes the output voltage to return to the preset V/f pattern after speed search (current detection mode) is complete.	0.0 to 5.0sec	kVA Dependent	Programming
L2-05	Undervoltage Detection Level PUV Det Level	Sets the drive's DC Bus undervoltage trip level. If this is set lower than the factory setting, additional AC input reactance or DC bus reactance may be necessary.	Voltage Class Dependent	Voltage Class Dependent	Programming

Table A.1 Parameter List (Continued)

Parameter No.	Parameter Name LCD Digital Operator Display	Description	Setting Range	Factory Setting	Menu Location
Stall Prevention					
L3-01	Stall Prevention Selection During Accel StallP Accel Sel	<p>0: Disabled (Motor accelerates at active acceleration, C1-01 or C1-03. The motor may stall if load is too heavy or accel time is too short).</p> <p>1: General Purpose (When output current exceeds L3-02 level, acceleration stops. It starts to accelerate at current value recovery).</p> <p>2: Intelligent (The active acceleration rate, C1-01 or C1-02, is ignored. Acceleration is completed in the shortest amount of time w/o exceeding the current value set in L3-02).</p>	0 to 2	1	Programming
L3-02	Stall Prevention Level During Accel StallP Accel Lvl	<p>This function is enabled when L3-01 is "1" or "2". Drive rated current is 100%. Decrease the set value if stalling occurs at factory setting.</p>	0 to 200	120%	Programming
L3-04	Stall Prevention Selection During Decel StallP Decel Sel	<p>0: Disabled (The drive decelerates at the active deceleration rate, C1-02 or C1-04. If the load is too large or the deceleration time is too short, an OV fault may occur).</p> <p>1: General Purpose (The drive decelerates at the active deceleration rate, C1-02 or C1-04, but if the main circuit DC bus voltage reaches the stall prevention level the output frequency will clamp. Deceleration will continue once the DC bus level drops below the stall prevention level).</p> <p>2: Intelligent (The active deceleration rate is ignored and the drive decelerates as fast as possible w/o hitting OV fault level).</p>	0 to 3	1	Programming
L3-05	Stall Prevention Selection During Run StallP Run Sel	<p>0: Disabled (Drive runs a set frequency). A heavy load may cause the drive to trip on an OC fault.</p> <p>1: Decel Time 1 (In order to avoid stalling during heavy loading, the drive will start to decelerate at Decel time 1 (C1-02) if the output current exceeds the level set by L3-06. Once the current level drops below the L3-06 level the drive will accelerate back to its set frequency at the active acceleration rate).</p> <p>2: Decel Time 2 (Same as setting 1 except the drive decelerates at Decel Time 2 (C1-04). For 6Hz or less frequency, stall prevention function during run is disabled regardless of L3-05 set.</p>	0 to 2	1	Programming
L3-06	Stall Prevention Level During Running StallP Run Level	<p>This function is enabled when L3-05 is "1" or "2". Drive rated current is set as 100%. Normally, changing the setting is not required. Decrease the set value if stalling occurs at factory setting.</p>	30 to 200	120%	Programming

Table A.1 Parameter List (Continued)

Parameter No.	Parameter Name LCD Digital Operator Display	Description	Setting Range	Factory Setting	Menu Location
Ref Detection					
L4-01	Speed Agreement Detection Level Spd Agree Level	L4-01 and L4-02 are used in conjunction with the multi-function outputs, (H2-01and H2-02) as a setpoint and hysteresis for a contact closure.	0.0 to 200.0	0.0Hz	Programming
L4-02	Speed Agreement Detection Width Spd Agree Width		0.0 to 20.0	2.0Hz	Programming
L4-05	Frequency Reference Loss Detection Selection Ref Loss Sel	Determines how the drive will react when the frequency reference is lost. 0: Stop (Disabled) - Drive will not run at the frequency reference 1: Enabled @ % of PrevRef - Drive will run at a percentage (L4-06) of the frequency reference level at the time frequency reference was lost.	0 or 1	1	Programming
L4-06	Frequency Reference Level at Loss Frequency Fref at Floss	If Frequency Reference loss function is enabled (L4-05=1) and Frequency Reference is lost, then the drive will run at reduced frequency reference determined by L4-06. New Fref =Fref at time of loss x L4-06.	0 to 100.0%	80.0%	Programming
Fault Restart					
L5-01	Number of Auto Restart Attempts Num of Restarts	Determines the number of times the drive will perform an automatic restart.	0 to 10	0	Quick Setting
L5-02	Auto Restart Operation Selection Restart Sel	Determines if the fault contact activates during an automatic restart attempt. 0: No Flt Relay - fault contact will not activate during an automatic restart. 1: Flt Relay Active - fault contact will activate during an automatic restart.	0 or 1	0	Programming
L5-03	Maximum Restart Time After Fault Max Restart Time	If the restart fails (or is not attempted due to a continuing fault condition, e.g. an OV fault) the Drive waits L5-03 seconds before attempting another restart.	0.5 to 600.0	180.0sec	Quick Setting
Torque Detection					
L6-01	Torque Detection Selection 1 Load Detection	Determines the drive's response to an overtorque / undertorque condition. Overtorque and Undertorque are determined by the settings in parameters L6-02 and L6-03. 0: Disabled 1: OL@SpdAgree - Alm (Overtorque Detection only active during Speed Agree and Operation continues after detection). 2: OL At RUN - Alm (Overtorque Detection is always active and operation continues after detection) 3: OL@SpdAgree - Flt (Overtorque Detection only active during Speed Agree and drive output will shut down on an OL3 fault). 4: OL At RUN - Flt (Overtorque Detection is always active and drive output will shut down on an OL3 fault.) 5: LL@SpdAgree - Alm (Undertorque Detection is only active during Speed Agree and operation continues after detection). 6: LL at RUN - Alm (Undertorque Detection is always active and operation continues after detection) 7: LL @ SpdAgree - Flt (Undertorque Detection only active during Speed Agree and drive output will shut down on an OL3 fault). 8: LL At RUN - Flt (Undertorque Detection is always active and drive output will shut down on an OL3 fault).	0 to 8	0	Programming
L6-02	Torque Detection Level 1 Load Det Lvl	Sets the overtorque/undertorque detection level as a percentage of Drive rated current.	0 to 300	15%	Programming
L6-03	Torque Detection Time 1 Loss Det Time	Sets the length of time an overtorque / undertorque condition must exist before being recognized by the drive. OL3 is then displayed.	0.0 to 10.0	10.0sec	Programming

Table A.1 Parameter List (Continued)

Parameter No.	Parameter Name LCD Digital Operator Display	Description	Setting Range	Factory Setting	Menu Location
Hdwe Protection					
L8-01	Internal Dynamic Braking Resistor Protection Selection DB Resistor Prot	0: Not Provided 1: Provided	0 or 1	0	Programming
L8-02	Overheat Pre-Alarm Level OH Pre-Alarm Lvl	When the cooling fin temperature exceeds the value set in this parameter, an overheat pre-alarm (OH) will occur.	50 to 130	kVA Dependent	Programming
L8-03	Overheat Pre-Alarm Operation Selection OH Pre-Alarm Sel	Drive Operation upon OH Pre Alarm Detection. 0: Ramp to Stop (Decel Time C1-02). 1: Coast to Stop 2: Fast-Stop (Decel Time = C1-09). 3: Alarm Only *0 to 2 is recognized as fault detection, and 3 is recognized as alarm. (For the fault detection, the fault contact operates.) 4: OH Alarm & Reduce (Continue operation and reduce output frequency by L8-19).	0 to 4	4	Programming
L8-06	Input Phase Loss Detection Level Ph Loss In Lvl	Monitors the DC Bus current ripple and activates when one of the input phases is lost (PF).	0.0 to 25.0	kVA Dependent	Programming
L8-09	Output Ground Fault Detection Selection Ground Fault Sel	Enables and disables drive output ground fault detection. 0: Disabled 1: Enabled	0 or 1	1	Programming
L8-10	Heatsink Cooling Fan Operation Selection Fan On/Off Sel	Controls the Heatsink Cooling Fan Operation. 0: Fan On-Run Mode (Fan will operate only when drive is running and for L8-11 seconds after RUN is removed). 1: Fan Always On (Cooling fan operates whenever drive is powered up).	0 or 1	0	Programming
L8-11	Heatsink Cooling Fan Operation Delay Time Fan Delay Time	When L8-10=0 this parameter sets a delay time for Cooling Fan de-energization after the run command is removed.	0 to 300	300sec	Programming
L8-12	Ambient Temperature Setting Ambient Temp	When the drive is installed in an ambient temperature exceeding its rating, drive overload (OL2) protection level is reduced.	45 to 60°C	45°C	Programming
L8-15	OL2 Characteristic Selection at Low Speeds OL2 Sel @ L-Spd	This parameter assists in protecting the output transistor junctions from overheating when output current is high and output frequency is low. 0: Disabled 1: Enabled (L8-18 is active)	0 or 1	1	Programming
L8-18	Soft CLA Selection Soft CLA Sel	Enables and disables software Current Limit "A" (CLA) 0: Disabled 1: Enabled	0 or 1	1	Programming
L8-19	OH Frequency Reference Reduction Level Fref During OH	Sets the amount of frequency reference reduction when an Overheat Pre-alarm (OH) is detected.	0.0 to 100.0	20.0%	Programming
L8-32	OH1 Detection Selection for Fan Failure OH1 Detect Sel	Selects the drive response upon failure of the internal cooling fan. 0: Disabled FAN alarm is displayed 1: Enabled OH1 fault occurs	0 or 1	1	Programming
Hunting Prev					
n1-01	Hunting Prevention Selection Hunt Prev Select	0: Disabled (Hunting prevention function disabled). 1: Enabled (Hunting prevention function enabled). If the motor vibrates while lightly loaded, hunting prevention may reduce the vibration. There is a loss of responsiveness if hunting prevention is enabled.	0 or 1	1	Programming
n1-02	Hunting Prevention Gain Setting Hunt Prev Gain	Gain setting for the Hunting Prevention Function. If the motor vibrates while lightly loaded and n1-01=1, increase the gain by 0.1 until vibration ceases. If the motor stalls while n1-01=1 decrease the gain by 0.1 until the stalling ceases.	0.00 to 2.50	1.00	Programming

Table A.1 Parameter List (Continued)

Parameter No.	Parameter Name LCD Digital Operator Display	Description	Setting Range	Factory Setting	Menu Location								
High Slip													
n3-01	High-Slip Braking Deceleration Frequency Width HSB Decel Width	Sets how aggressively the drive decreases the output frequency as it stops the motor. If overvoltage (OV) faults occur during HSB, this parameter may need to be increased.	1 to 20	5%	Programming								
n3-02	High-Slip Braking Current Limit HSB Current Ref	Sets the maximum current to be drawn during a HSB stop. Higher n3-02 settings will shorten motor stopping times but cause increased motor current, and therefore increased motor heating.	100 to 200	150%	Programming								
n3-03	High-Slip Braking Dwell Time at Stop HSB DwellTim@ Stp	Sets the amount of time the Drive will dwell at E1-09 (Minimum Frequency). If this time is set too low, the machine inertia can cause the motor to rotate slightly after the HSB stop is complete and the Drive output is shut off.	0.0 to 10.0	1.0sec	Programming								
n3-04	High-Slip Braking Overload Time HSB OL Time	Sets the time required for a HSB Overload Fault to occur when the Drive output frequency does not change for some reason during a HSB stop. Normally this does not need to be adjusted.	30 to 1200	40sec	Programming								
Monitor Select													
o1-01 ◆	User Monitor Selection User Monitor Sel	Selects which monitor will be displayed upon power-up when o1-02 = 4.	6 to 53	6	Programming								
o1-02	User Monitor Selection After Power-Up Power-On Monitor	Selects which monitor will be displayed upon power-up. 1: Frequency Ref 2: Output Freq 3: Output Current 4: User Monitor (set by o1-01)	1 to 4	1**	Programming								
o1-03	Digital Operator Display Selection Display Scaling	<p>Sets the units of the Frequency References (d1-01 through d1-17) and the Frequency Reference Monitor (U1-01).</p> <p>0: Hz 1: % (100% = E1-04) 2 to 39: RPM. (Enter the number of motor poles.) 40 to 39999: User display</p> <p>Desired set/display value is set at Max. output frequency. 4 digit number.</p>  <p>The number of digits from the right the decimal point is displayed.</p> <p>Example: If "200.0 is displayed at Max. output frequency, set "12000".</p> <p>When o1-03 ≥ 40 (user units), the unit selected in o1-09 will be displayed for D1-01 to D1-17, U1-01, U1-02, and U1-20</p>	0 to 39999	0	Programming								
o1-05	LCD Brightness Adjustment LCD Contrast	<table border="1" style="width: 100%; border-collapse: collapse;"> <thead> <tr> <th>Set Value</th> <th>Description</th> </tr> </thead> <tbody> <tr> <td>5</td> <td>LCD display becomes dark</td> </tr> <tr> <td>3</td> <td>Standard setting</td> </tr> <tr> <td>1</td> <td>LCD display becomes light</td> </tr> </tbody> </table>	Set Value	Description	5	LCD display becomes dark	3	Standard setting	1	LCD display becomes light	0 to 5	3	Programming
Set Value	Description												
5	LCD display becomes dark												
3	Standard setting												
1	LCD display becomes light												
** Factory setting changes to "2" when b5-01=1													
o1-06	User Monitor Selection Mode Monitor Mode Sel	Selects the "U1" monitors displayed on the 4th and 5th lines of the digital operator display. 0: 3 Mon Sequential (Displays the next 2 sequential U1 monitors). 1: 3 Mon Selectable (Displays U1 monitors set by o1-07 and o1-08).	0 or 1	0**	Programming								
o1-07	Second Line User Monitor Selection 2nd Monitor Sel	Sets the "U1" monitor always displayed on the 4th line of the digital operator display. Effective only when o1-06 = 1.	1 to 53	2**	Programming								
o1-08	Third Line User Monitor Selection 3rd Monitor Sel	Sets the "U1" monitor always displayed on the 5th line of the digital operator display. Effective only when o1-06 = 1.	1 to 53	3**	Programming								

Table A.1 Parameter List (Continued)

Parameter No.	Parameter Name LCD Digital Operator Display	Description	Setting Range	Factory Setting	Menu Location
o1-09 ◆	Frequency Reference Display Units Frq Display Unit	Sets unit display for the frequency reference parameters and frequency related monitors when o1-03≥40. 0: WC:InchOfWater 1: PSI:lb/SqrInch 2: GPM:Gallons/Min 3: F:DegFahrenheit 4: CFM:Cubic ft/Min 5: CMH:Cubic M/Hr 6: LPH:Liters/Hr 7: LPS:Liters/Sec 8: Bar:Bar 9: Pa:Pascals 10: C:DegCelsius 11: Mtr:Meters	0 to 11	0	Programming
Key Selections					
o2-01	Local/Remote Key Function Selection Local/Remote Key	Determines the status of the Local/Remote key, if present. 0: Disabled 1: Enabled Has no function when H/O/A operator is connected.	0 or 1	1	Programming
o2-02	OFF Key Function During Auto Run Oper OFF Key	Determines if the off key on the digital operator will stop the drive when drive is operating from external terminals or serial communications. 0: Disabled 1: Enabled	0 or 1	1	Programming
o2-03	User Parameter Default Value User Defaults	Allows storing of current parameter values as a User Initialization Selection at parameter A1-03. 0: No Change (No user parameter set active). 1: Set Defaults (Saves current parameter settings as user initialization. A1-03 now allows selecting <1110> for user initialization. 2: Clear All (Clears the currently saved user initialization. A1-03 no longer allows selecting <1110>).	0 to 2	0	Programming
o2-04	Drive/kVA Selection Inverter Model #	Sets the kVA of the drive. Enter the number based on drive Model #. Use the □□□□ portion of the CIMR-E7□□□□ Model Number. Reference Appendix B	0 to FF	kVA Dependent	Programming
o2-05	Frequency Reference Setting Method Selection Operator M.O.P.	Determines if the Data/Enter key must be used to input a frequency reference from the digital operator. 0: Disabled - Data/Enter key must be pressed to enter a frequency reference. 1: Enabled - Data/Enter key is not required. The frequency reference is adjusted by the up and down arrow keys on the digital operator without having to press the data/enter key.	0 or 1	1	Programming
o2-06	Operation Selection when Digital Operator is Disconnected Oper Detection	Determines if the drive will stop when the digital operator is removed. 0: Disabled - The drive will not stop when the digital operator is removed. 1: Enabled - The drive will fault (OPR) and coast to stop when the operator is removed.	0 or 1	1	Programming
o2-07	Cumulative Operation Time Setting Elapsed Time Set	Sets the initial value of the elapsed operation timer.	0 to 65535	0 hours	Programming
◆ Denotes that parameter can be changed when the drive is running. ** Factory settings change when b5-01=1 as follows: o1-06=1, o1-07=38, o1-08=24.					

o2-08	Cumulative Operation Time Selection Elapsed Time Run	Sets how time is accumulated for the elapsed timer (o2-07). 0: Power-On Time (Time accumulates whenever drive is powered) 1: Running Time (Time accumulates only when drive is running)	0 or 1	1	Programming
o2-09	Initialization Specification Selection Init Mode Sel	Determines parameter values after a drive initialization (A1-03) is executed. This should always be set to "1" American Spec. 1: American spec 2: European spec 4: PV-A spec 5: PV-E spec 6: Chinese spec	1 to 5	1	Programming

Table A.1 Parameter List (Continued)

Parameter No.	Parameter Name LCD Digital Operator Display	Description	Setting Range	Factory Setting	Menu Location
o2-10	Cumulative Cooling Fan Operation Time Setting Fan ON Time Set	Sets the initial value of the heatsink fan operation time.	0 to 65535	0 hours	Programming
o2-12	Fault Trace/Fault History Clear Function FLT Trace Init	Clears the fault memory contained in the U2 and U3 monitors. 0: Disabled (no effect) 1: Enabled - resets U2 and U3 monitors, and returns o2-12 to zero	0 or 1	0	Programming
o2-14	kWh User Monitor (U1-29) Initialization kWh MonitorClear	Used to reset the kilowatt Hour monitor to zero 0: Disabled (no change) 1: Clear all - Resets U1-29 to zero and returns o2-14 to zero.	0 or 1	0	Programming
o2-15	Hand Key Function Selection Oper Hand Key	Enables or disables the "Hand" key on the digital operator. 0: Disabled 1: Enabled	0 or 1	1	Programming
COPY Function					
o3-01	Copy Function Selection Copy Function Sel	This parameter controls the copying of parameters to and from the digital operator. 0: COPY SELECT (no function) 1: INV -> OP READ - All parameters are copied from the drive to the digital operator. 2: OP -> INV WRITE - All parameters are copied from the digital operator into the drive. 3: OP<->INV VERIFY - Parameter settings in the drive are compared to those in the digital operator. NOTE: When using the copy function, the drive model number and software number (U1-14) must match or an error will occur.	0 to 3	0	Programming
o3-02	Read Allowed Selection Read Allowable	Enables and disables all digital operator copy functions. 0: Disabled - No digital operator copy functions are allowed 1: Enabled - Copying allowed	0 to 1	0	Programming
Auto-Tuning					
T1-02	Motor Rated Power Mtr Rated Power	Sets the motor rated power in kW. NOTE: T1-02 should be left at the Drive default (the last 3 digits of the Drive model number).	0.00 to 650.00	kVA Dependent	Auto-Tuning
T1-04	Motor Rated Current Rated Current	Sets the motor rated current. (Used only during an auto-tune).	kVA Dependent	kVA Dependent	Auto-Tuning

Table A.2 Monitor List

Parameter No.	Parameter Name LCD Digital Operator Display	Description
Monitor		
U1-01	Frequency Reference Frequency Ref	Frequency reference (speed command) monitor when in auto mode, frequency reference (speed command) setting location when in hand mode. Units changeable via o1-03.
U1-02	Output Frequency Output Freq	Output frequency (speed) monitor. Units changeable via o1-03.
U1-03	Output Current Output Current	Output current monitor
U1-06	Output Voltage Output Voltage	Displays Drive output voltage

Monitor List

Table A.2 Monitor List (Continued)

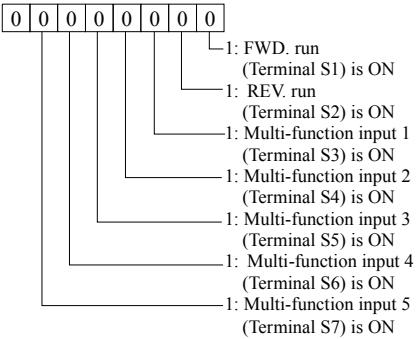
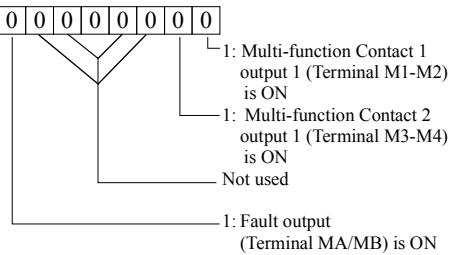
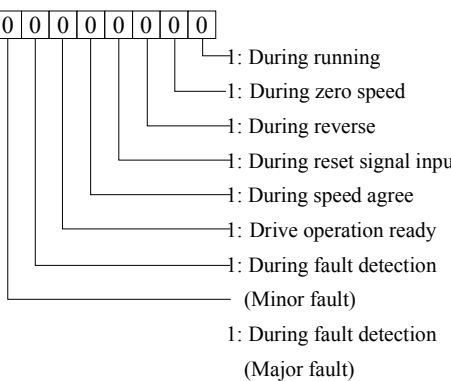
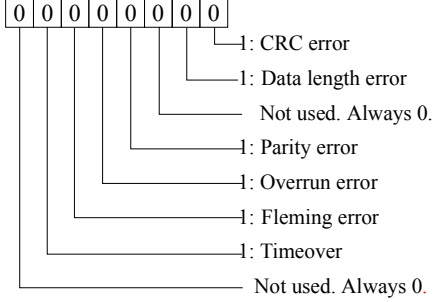
Parameter No.	Parameter Name LCD Digital Operator Display	Description
U1-07	DC Bus Voltage DC Bus Voltage	Displays DC Bus Voltage
U1-08	Output Power Output kWatts	Displays Drive output power
U1-10	Input Terminal Status Input Term Sts	Displays Drive input terminal status 
U1-11	Output Terminal Status Output Term Sts	Output terminal ON/OFF Check 
U1-12	Drive Operation Status Int Ctl Sts 1	
		Monitor
U1-13	Cumulative Operation Time Elapsed Time	Displays total operating or power-on time of the Drive.
U1-14	Software Number FLASH ID	Displays Drive's software number.
U1-15	Terminal A1 Input Voltage Term A1 Level	Displays the input voltage on Terminal A1, as a percentage of 10V DC.
U1-16	Terminal A2 Input Voltage Term A2 level	Displays the input current (or voltage) on Terminal A2, as a percentage of 20mA (or 10 V DC).

Table A.2 Monitor List (Continued)

Parameter No.	Parameter Name LCD Digital Operator Display	Description
U1-18	Motor Secondary Current (I _q) Mot SEC Current	Displays the amount of current being used by the motor to produce torque (I _q).
U1-20	Output Frequency After Soft Start SFS Output	Displays the frequency reference (speed command) after the accel and decel ramps.
U1-24	PI Feedback Value PI Feedback	Displays the feedback signal when PI control is used.*
U1-28	CPU Number CPU ID	Displays control board hardware revision.
U1-29	kWh kWh Lo 4 Digits	Displays the accumulated kWh.
U1-30	MWh kWh Hi 5 Digits	Displays the accumulated MWh.
U1-34	First Parameter Causing an OPE OPE Detected	Displays the parameter number causing an "OPE" fault.
U1-36	PI Input PI Input	Displays the "error" in the PI regulator. (U1-36 = PI Setpoint - PI Feedback).
U1-37	PI Output PI Output	Displays the output of the PI as a percentage of maximum frequency (E1-04).
U1-38	PI Setpoint PI Setpoint	Displays the setpoint of the PI regulator (U1-38 = PI reference + PI bias).*
U1-39	Memobus Communication Error Code Transmit Err	
U1-40	Heatsink Cooling Fan Operation Time FAN Elapsed Time	Displays total operating time of the heatsink cooling fan.
U1-51	Auto Mode Frequency Reference Value AUTO Mode Fref	Displays the frequency reference (speed command) when in auto mode.
U1-52	Hand Mode Frequency Reference Value HAND Mode Fref	Displays the frequency reference (speed command) when in hand mode, or displays Terminal A2 when differential mode is selected.
U1-53	PI Feedback 2 Value PI Feedback 2	Displays PI feedback 2 value.

** Units depend on b5-31 setting; scaling is set by b5-20

Fault Trace List

Table A.3 Fault Trace List

Fault Trace	
U2-01	Current Fault Current Fault
U2-02	Previous Fault Last Fault
U2-03	Frequency Reference at Most Recent Fault Frequency Ref
U2-04	Output Frequency at Most Recent Fault Output Freq
U2-05	Output Current at Most Recent Fault Output Current
U2-07	Output Voltage at Most Recent Fault Output Voltage
U2-08	DC Bus Voltage at Most Recent Fault DC Bus Voltage
U2-09	Output Power at Most Recent Fault Output kWatts
U2-11	Input Terminal Status at Most Recent Fault. The format is the same as for U1-10. Input Term Sts
U2-12	Output Terminal Status at Most Recent Fault. The format is the same as for U1-11. Output Term Sts
U2-13	Drive Operation Status at Most Recent Fault. The format is the same as for U1-12. Inverter Status
U2-14	Cumulative Operation Time at Most Recent Fault Elapsed time
(Note) Fault trace is not executed at CPF00, CPF01, CPF03, UVI and UV2.	

Fault History List

Table A.4 Fault History List

Fault History	
U3-01	Most Recent Fault Last Fault
U3-02	2 nd Most Recent Fault Fault Message 2
U3-03	3 rd Most Recent Fault Fault Message 3
U3-04	4 th Most Recent Fault Fault Message 4
U3-05	Cumulative Operation Time at Most Recent Fault Elapsed Time 1
U3-06	Cumulative Operation Time at 2 nd Most Recent Fault Elapsed Time 2
U3-07	Cumulative Operation Time at 3 rd Most Recent Fault Elapsed Time 3
U3-08	Cumulative Operation Time at 4 th Most Recent Fault Elapsed Time 4
U3-09	5 th Most Recent Fault Fault Message 5
U3-10	6 th Most Recent Fault Fault Message 6
U3-11	7 th Most Recent Fault Fault Message 7
U3-12	8 th Most Recent Fault Fault Message 8
U3-13	9 th Most Recent Fault Fault Message 9
U3-14	10 th Most Recent Fault Fault Message 10
U3-15	Cumulative Operation Time at 5 th Most Recent Fault Elapsed Time 5
U3-16	Cumulative Operation Time at 6 th Most Recent Fault Elapsed Time 6
U3-17	Cumulative Operation Time at 7 th Most Recent Fault Elapsed Time 7
U3-18	Cumulative Operation Time at 8 th Most Recent Fault Elapsed Time 8
U3-19	Cumulative Operation Time at 9 th Most Recent Fault Elapsed Time 9
U3-20	Cumulative Operation Time at 10 th Most Recent Fault Elapsed Time 10
(Note) Faults such as CPF00, CPF01, CPF02, CPF03, UV1, and UV02 are not stored in fault history.	

Decimal to Hex Conversion

Table A.5

Decimal	Hex	Decimal	Hex
1	1	51	33
2	2	52	34
3	3	53	35
4	4	54	36
5	5	55	37
6	6	56	38
7	7	57	39
8	8	58	3A
9	9	59	3B
10	A	60	3C
11	B	61	3D
12	C	62	3E
13	D	63	3F
14	E	64	40
15	F	65	41
16	10	66	42
17	11	67	43
18	12	68	44
19	13	69	45
20	14	70	46
21	15	71	47
22	16	72	48
23	17	73	49
24	18	74	4A
25	19	75	4B
26	1A	76	4C
27	1B	77	4D
28	1C	78	4E
29	1D	79	4F
30	1E	80	50
31	1F	81	51
32	20	82	52
33	21	83	53
34	22	84	54
35	23	85	55
36	24	86	56
37	25	87	57
38	26	88	58
39	27	89	59
40	28	90	5A
41	29	91	5B
42	2A	92	5C
43	2B	93	5D
44	2C	94	5E
45	2D	95	5F
46	2E	96	60
47	2F	97	61
48	30	98	62
49	31	99	63
50	32	100	64

Appendix B

Capacity Related Parameters

This appendix lists the parameters affected by the Drive Capacity setting of o2-04.

Drive Capacity	2
Parameters Affected by o2-04	3
Capacity Related Parameter Values.....	4

Drive Capacity

Parameter o2-04 sets the Drive capacity according to the model number. Parameter o2-04 will need to be adjusted when replacing a control board.

If a Control PCB is changed, the first time the Drive is powered up, parameter o2-04 must be set to the appropriate value listed in *Table B.1* for the Drive model number. After properly setting parameter 02-04, a 2-wire or 3-wire initialization must be performed by setting parameter A1-03=2220 or A1-03=3330, respectively. This will automatically program the values of all other parameters listed in *Table B.2* to the factory settings for that particular Drive rating.

Table B.1 Drive Capacity Selection			
Voltage	Model Number	o2-04 Setting	Nominal Hp
208 VAC	CIMR-E7U20P4	0	0.5/0.75
	CIMR-E7U20P7	1	1
	CIMR-E7U21P5	2	1.5/2
	CIMR-E7U22P2	3	3
	CIMR-E7U23P7	4	5
	CIMR-E7U25P5	5	7.5
	CIMR-E7U27P5	6	10
	CIMR-E7U20111	7	15
	CIMR-E7U20151	8	20
CIMR-E7U20181	9	25	
480 VAC	CIMR-E7U40P4	20	0.5/0.75
	CIMR-E7U40P7	21	1
	CIMR-E7U41P5	22	1.5/2
	CIMR-E7U42P2	23	3
	CIMR-E7U43P7	24	5
	CIMR-E7U45P5	26	7.5
	CIMR-E7U47P5	27	10
	CIMR-E7U4009	28	15
	CIMR-E7U4011	28	20
	CIMR-E7U4015	29	25
	CIMR-E7U4018	2A	30
	CIMR-E7U4024	2C	40
	CIMR-E7U4030	2C	50

◆ Parameters Affected by o2-04

The factory setting of the following parameters may change when the Drive capacity is changed.

Table B.2 Parameters Affected by o2-04	
Parameter Number	Parameter Name Digital Operator Display
b8-04	Energy Saving Coefficient Value Energy Save COEF
C6-02	Carrier Frequency Selection CarrierFreq Sel
E2-01	Motor Rated Current Motor Rated FLA
E2-03	Motor No Load Current No-Load Current
E2-05	Motor Line-to-Line Resistance Term Resistance
L2-02	Momentary Power Loss Ride-thru Time PwrL Ridethru t
L2-03	Momentary Power Loss Minimum Base Block Time PwrL Baseblock t
L2-04	Momentary Power Loss Voltage Recovery Ramp Time PwrL V/F Ramp t
L8-02	Overheat Pre-Alarm Level OH Pre-Alarm Lvl
L8-06	Input Phase Loss Detection Level Ph Loss In Lvl
o2-04	Drive/kVA Selection Inverter Model #

◆ Capacity Related Parameter Values

The following tables detail the factory default settings for the parameters that are affected by the setting of parameter o2-04.

Drive Model CIMR-____	Nominal Hp	Factory Default for b8-04	Factory Default for C6-02	Factory Default for E2-01	Factory Default for E2-03	Factory Default for E2-05	Factory Default for L2-02	Factory Default for L2-03	Factory Default for L2-04	Factory Default for L8-02	Factory Default for L8-06
20P4	0.5/0.75	288.2	10kHz	1.9	1.2	9.842	0.1	0.1	0.3	95°C	5
20P7	2	223.7	10kHz	3.3	1.8	5.156	0.1	0.2	0.3	95°C	7.5
21P5	1.5/2	169.4	10kHz	6.2	2.8	1.997	0.2	0.3	0.3	95°C	10
22P2	3	156.8	8kHz	8.5	3.0	1.601	0.3	0.4	0.3	100°C	12
23P7	5	122.9	10kHz	14.0	4.5	0.771	0.5	0.5	0.3	95°C	12
25P5	7.5	94.75	15kHz	19.6	5.1	0.399	1.0	0.6	0.3	95°C	10
27P5	10	72.69	15kHz	26.6	8.0	0.288	1.0	0.7	0.3	95°C	17
2011	15	70.44	8kHz	39.7	11.2	0.230	1.0	0.8	0.3	95°C	21
2015	20	63.13	10kHz	53.0	15.2	0.138	2.0	0.9	0.3	90°C	17
2018	25	57.87	10kHz	65.8	15.7	0.101	2.0	1.0	0.6	100°C	15

Note: b8-04 = Energy Savings Coefficient
C6-02 = Carrier Frequency
E2-01 = Motor Rated Current
E2-03 = Motor No-Load Current
E2-05 = Motor Line-to-Line Resistance
L2-02 = Momentary Power Loss Ride-Thru Time
L2-03 = Momentary Power Loss Minimum Base Block Time
L2-04 = Momentary Power Loss Voltage Recovery Ramp Time
L8-02 = Overheat Pre-Alarm Level
L8-06 = Input Phase Loss Detection Level

Table B.4 480 VAC Drives

Drive Model CIMR-____	Nominal Hp	Factory Default for b8-04	Factory Default for C6-02	Factory Default for E2-01	Factory Default for E2-03	Factory Default for E2-05	Factory Default for L2-02	Factory Default for L2-03	Factory Default for L2-04	Factory Default for L8-02	Factory Default for L8-06
40P4	0.5/0.75	576.40	15kHz	1.0	0.6	38.198	0.1	0.1	0.3	95°C	5
40P7	1	447.40	15kHz	1.6	0.8	22.459	0.1	0.2	0.3	95°C	7.5
41P5	1.5/2	338.80	15kHz	3.1	1.4	10.100	0.2	0.3	0.3	95°C	10
42P2	3	313.60	15kHz	4.2	1.5	6.495	0.3	0.4	0.3	90°C	10
43P7	5	245.80	15kHz	7.0	2.3	3.333	0.5	0.5	0.3	95°C	12
45P5	7.5	189.50	15kHz	13.3	2.6	1.595	1.0	0.6	0.3	95°C	10
47P5	10	145.38	15kHz	19.9	4.0	1.152	1.0	0.7	0.3	90°C	20
4011	15	140.88	8kHz	26.5	5.6	0.922	2.0	0.8	0.3	95°C	23
4011	20	140.88	8kHz	26.5	5.6	0.922	2.0	0.8	0.3	95°C	23
4015	25	126.26	10kHz	32.9	7.6	0.550	2.0	0.9	0.3	95°C	17
4018	30	115.74	10kHz	52.3	7.8	0.403	2.0	1.0	0.6	98°C	17
4030	40	92.54	8kHz	65.6	10.9	0.269	2.0	1.1	0.6	85°C	20
4030	50	92.54	8kHz	65.6	10.9	0.269	2.0	1.1	0.6	85°C	20

Note: b8-04 = Energy Savings Coefficient

C6-02 = Carrier Frequency

E2-01 = Motor Rated Current

E2-03 = Motor No-Load Current

E2-05 = Motor Line-to-Line Resistance

L2-02 = Momentary Power Loss Ride-Thru Time

L2-03 = Momentary Power Loss Minimum Base Block Time

L2-04 = Momentary Power Loss Voltage Recovery Ramp Time

L8-02 = Overheat Pre-Alarm Level

L8-06 = Input Phase Loss Detection Level

Notes:

Appendix C Specifications

This appendix details the standard Drive Specifications.

Standard Drive and Bypass Specifications	2
208 VAC	2
480 VAC	3
All Voltages	4

Standard Drive and Bypass Specifications

The standard Drive and Bypass specifications are listed in the following tables.

◆ 208 VAC

Table C.1 208 VAC Drive and Bypass Specifications											
Bypass Model Number E7L_*		D003	D004	D007	D010	D016	D024	D030	D046	D059	D074
Motor HP	208V	0.5/0.75	1	1.5/2	3	5	7.5	10	15	20	25
Bypass rated output current (A)		3.5	4.6	7.5	10.6	16.7	24.2	30.8	46.2	59.4	74.8
Drive Model Number CIMR-E7U		22P2	22P2	22P2	22P2	23P7	25P5	27P5	2011	2015	2018
Drive rated output capacity (kVA)		1.4	1.8	3.0	4.1	6.4	8.8	12.0	18.0	23.0	29.0
Drive rated output current (A)		3.6	4.6	7.8	10.8	16.8	23.0	31.0	46.2	59.4	74.8
Drive max. output voltage (V)		3-phase; 200, 208, 220, or VAC (Proportional to input voltage)									
Drive max. output frequency (Hz)		120 Hz									
Power supply characteristics	Rated voltage (V)	3-phase, 200/208/220 VAC, 50/60 Hz									
	Rated frequency (Hz)	3-phase, 200/208/220 VAC, 50/60 Hz									
	Rated input current (A)	4.3	5.5	9.4	13	20	24	37	53	70	89
	Allowable voltage fluctuation	+ 10%, - 15%									
Allowable frequency fluctuation		±5%									
Control characteristics	Measures for power supply harmonics	DC Reactor	Optional								
		12-Pulse Rectification	Not possible								
<p>Note: The maximum applicable motor output is given for a standard 4-pole motor. When selecting the actual motor and Drive, be sure that the Bypass and Drive's rated output current is equal to, or greater than, the motor's rated current.</p> <p>A phase-shifting transformer is required on the power supply for 12-pulse rectification.</p> <p>* Only 208V model numbers are shown.</p>											

◆ 480 VAC

Bypass Model Number E7L_*		B001	B002	B003	B004	B007	B011	B014
Motor HP (460V)		0.5/0.75	1	1.5/2	3	5	7.5	10
Bypass rated output current (A)		1.6	2.1	3.4	4.8	7.6	11	14
Drive Model Number CIMR-E7U		42P2	42P2	42P2	42P2	43P7	45P5	47P5
Drive rated output capacity (kVA)		1.4	1.6	2.8	4.0	5.8	9.5	13.0
Drive rated output current (A)		1.8	2.1	3.7	5.3	7.6	12.5	17.0
Drive max. output voltage (V)		3-phase; 380, 400, 415, 440, 460, or 480 VAC (Proportional to input voltage.)						
Drive max. output frequency (Hz)		120 Hz						
Power supply characteristics	Rated voltage (V) Rated frequency (Hz)	3-phase, 380, 400, 415, 440, 460 or 480VAC, 50/60 Hz						
	Rated input current (A)	2.2	2.5	4.4	6.4	9.0	15	20
	Allowable voltage fluctuation	+ 10%, - 15%						
	Allowable frequency fluctuation	±5%						
Control characteristics	Measures for power supply harmonics	DC Reactor	Optional					
		12-pulse Rectification	Not possible					

Bypass Model Number E7L_*		B021	B027	B034	B040	B052	B065
Motor HP (460V)		15	20	25	30	40	50
Bypass rated output current (A)		21	27	34	40	52	65
Drive Model Number CIMR-E7U		4009	4011	4015	4018	4024	4030
Drive rated output capacity (kVA)		17.0	21.0	26.0	30.0	41.0	51.0
Drive rated output current (A)		21.0	27.0	34.0	40.0	52.0	67.2
Drive max. output voltage (V)		3-phase, 380, 400, 415, 440, 460 or 480 VAC (Proportional to input voltage)					
Drive max. output frequency (Hz)		120 Hz					
Power supply characteristics	Max. voltage (V) Rated frequency (Hz)	3-phase, 380, 400, 415, 440, 460, or 480VAC, 50/60 Hz					
	Rated input current (A)	26	33	40	48	57	74
	Allowable voltage fluctuation	+ 10%, - 15%					
	Allowable frequency fluctuation	±5%					
Control characteristics	Measures for power supply harmonics	DC Reactor	Optional			Built-in	
		12-Pulse Rectification	Not possible			Possible	

Note: The maximum applicable motor output is given for a standard 4-pole motor. When selecting the actual motor and Drive, be sure that the Bypass and Drive's rated output current is equal to, or greater than, the motor's rated current.
A 3-wire phase-shifting transformer is required on the power supply for 12-pulse rectification.

◆ All Voltages

Table C.3 Common Drive Specifications

All Models		Specification
Control Characteristics	Control method	Sine wave PWM V/f control
	Speed range	40:1
	Speed control accuracy	±2 to 3% (77°F ± 50°F) (25°C ± 10°C)
	Frequency accuracy (temperature characteristics)	Digital references: ± 0.01% (14°F to 104°F) (-10°C to +40°C)
		Analog references: ±0.1% (77°F ± 50°F) (25°C ± 10°C)
	Frequency setting resolution	Digital references: 0.01 Hz
		Analog references: 0.025/50 Hz (10 bit with sign)
	Frequency setting signal (Speed Command)	0-10 Vdc, 4-20 mA
	Acceleration/Deceleration time	0.0 to 6000.0 s (2 selectable combinations of independent acceleration and deceleration settings)
Main Drive control functions	Restarting for momentary power loss, bi-directional speed search, overtorque detection, 5 preset speeds, acceleration/deceleration time changes, S-curve acceleration, 3-wire sequence, auto-tuning, cooling fan ON/OFF control, torque compensation, jump frequencies, upper and lower limits for frequency references, DC braking for starting and stopping, high-slip braking, PI control (with sleep function), energy-saving control, Modbus communications (RS-485/422, 19.2 kbps maximum), fault reset, and copy function	
Main Bypass control functions	Provides an alternate connection for the motor to line power for operation at full speed only, directly from line power. Three electrically interlocked IEC rated contactors isolate the Drive when operating in Bypass mode. Control logic circuit provides Hand/Off/Auto functions and safety circuit interlocks. Includes fused 120VAC control transformer, motor circuit protector/disconnect, motor overload relay, selector switches and indicating lights.	
Protective Functions	Motor protection	Protection by electronic thermal overload relay
	Fuse blown protection	Stops for fuse blown
	Overload capacity and maximum current	110% of rated output current for 60 seconds
	Overvoltage protection	208-240VAC: Stops when main-circuit DC voltage is above 410 V 480VAC: Stops when main-circuit DC voltage is above 820 V
	Undervoltage protection	208-240VAC: Stops when main-circuit DC voltage is below 190 V 480VAC: Stops when main-circuit DC voltage is below 380 V
	Momentary power loss ride thru	Power Interruptions of 15 ms or more By selecting the momentary power loss method, operation can be continued if power is restored within 2 s
	Cooling fin overheating	Protection by thermistor
	Stall prevention	Stall prevention during acceleration, deceleration, or running
	Grounding protection	Protection by electronic circuits. (50% of inverter rated current)
Charge indicator	Lit when the main circuit DC voltage is approx. 50 Vdc or more	
Enclosure Type		Enclosed wall-mounted type (NEMA 1): CIMR-E7U20P4 thru 2030 and 40P4 thru 4055 Open chassis type (IP00): CIMR-E7U2022 thru 2110 and 4030 thru 4300
Environment	Ambient operating temperature	14°F to 104°F (-10°C to 40°C) NEMA 1 type 14°F to 113°F (-10°C to 45°C) Open chassis type
	Ambient operating humidity	95% max. (with no condensation)
	Storage temperature	-4°F to 140°F (- 20°C to + 60°C) short-term temperature during transportation
	Application site	Indoor (no corrosive gas, dust, etc.)
	Altitude	3300 ft. (1000 m), higher altitudes by derate
	Vibration	10 to 20 Hz, 32 ft/sec ² (9.8 m/s ²) max.; 20 to 50 Hz, 6.5 ft/sec ² (2 m/s ²) max.
	Appraisal Agencies	UL File E143427

Appendix D

Communication

This appendix details the specifications, connections, and programming of the Drive for Modbus communications. This Drive also contains embedded APOGEE™ FLN and Metasys® N2 communication protocols. For details regarding APOGEE™ FLN, please refer to the E7 APOGEE™ FLN Technical Manual (TM.E7.21). For details regarding Metasys® N2, please refer to the Technical Manual (TM.E7.22). These two documents can be found on the CD-ROM included with this Drive and Bypass unit or at www.drives.com.

E7N and Serial Communication	2
Using Modbus Communication	3
Modbus Communication Configuration	3
Communication Specifications	3
Communication Connection Terminal	4
Procedure for Setting Up Communication	4
Modbus Function Code Details	8
Modbus Data Tables	10
Modbus Self-Diagnosis	15
Metasys N2 Point Database	16
Metasys N2 Analog Input (AI) Summary	16
Metasys N2 Analog Output (AO) Summary	17
Metasys N2 Binary Input (BI) Summary	18
Metasys N2 Binary Output (BO) Summary	18
Mailbox Function Points	19
APOGEE FLN Point Database	20
APOGEE FLN Point List Summary	20
APOGEE FLN Logical Analog Input (LAI) Summary	23
APOGEE FLN Logical Analog Output (LAO) Summary	24
APOGEE FLN Logical Digital Input (LDI) Summary	25
APOGEE FLN Logical Digital Output (LDO) Summary	25
Mailbox Function Points	26

E7N and Serial Communication

The H/O/A selector keys must be in the AUTO position if serial communication is to be used for E7N run, stop or speed control.

E7N serial communication may be used for any or all of the following monitoring and control functions:

Monitor - Drive Parameters

Control - Drive Auto Run/Stop
Bypass Auto Run/Stop
Drive Auto Speed Command
Drive Auto PI Setpoint

If DIP switch S2-2 is set to power-up the E7N in the OFF mode (the factory default) and a serial communication run command exists, then a DNE (Drive Not Enabled) alarm will be displayed when the unit is first powered.

Pressing HAND or AUTO will eliminate the alarm. Pressing Reset or Menu will temporarily eliminate the alarm display and allow the user to continue with programming the Drive parameters.

Using Modbus Communication

Serial communication can be performed with Direct Digital Controllers (DDCs) or similar devices using the Modbus protocol.

◆ Modbus Communication Configuration

Modbus communication is configured using 1 master (PLC) and a maximum of 31 slaves. Serial communication between master and slave is normally initiated by the master and responded to by the slaves.

The master performs serial communication with one slave at a time. Consequently, the slave address of each slave must be initially set, so that the master can perform serial communication using that address. Slaves receiving commands from the master perform the specified functions, and send a response back to the master.

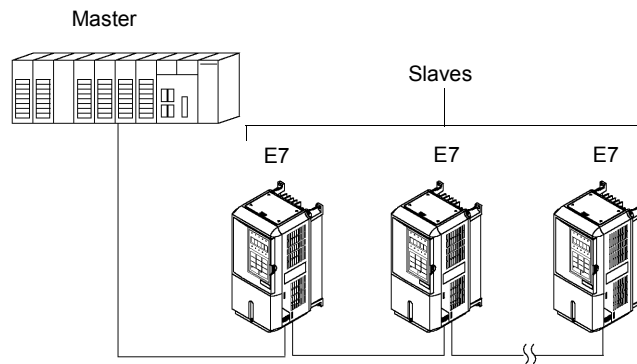


Fig D.1 Example of Connections between Master and Drive

◆ Communication Specifications

The Modbus communication specifications are shown below:

Item	Specifications
Interface	RS-422, RS-485
Communications Cycle	Asynchronous (Start-stop synchronization)
Communications Parameters	Baud rate: Select from 1200, 2400, 4800, 9600, and 19200 bps. Data length: 8 bits fixed Parity: Select from even, odd, or none. Stop bits: 1 bit selected
Communications Protocol	Modbus
Number of Connectable Units	31 units max.

◆ Communication Connection Terminal

Modbus communication uses the following terminals: TB4-1 (S+), TB4-2 (S-), TB4-3 (R+), and TB4-4 (R-). The terminating resistance must be turned ON only if the Drive is at the very end of the Serial Communication chain. Set the terminating resistance by turning ON pin 1 of switch S1.

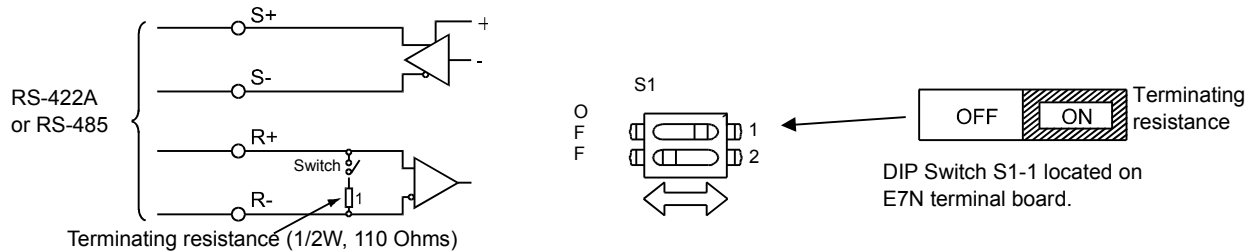


Fig D.2 Communication Connection Terminals and Terminating Resistance

IMPORTANT

1. Separate the communication cables from the main circuit cables and control circuit wiring.
2. Use shielded cables for the communication cable, and use proper shield clamps.
3. When using RS-485 communication, connect S+ to R+, and S- to R-, on the control circuit terminal board. See Fig. D.3 below.
4. Shield at one end only.

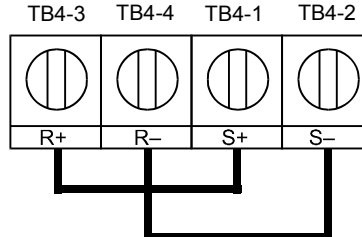


Fig D.3 RS-485 Communication Connection

◆ Procedure for Setting Up Communication

Use the following procedure to perform communication with the DDC.

1. Turn OFF the input to the Drive power and connect the communication cable between the PLC and the Drive.
2. Turn ON the input power to the Drive.
3. Set the required communication parameters (H5-01 to H5-09) using the Digital Operator.
4. Turn OFF the input to the Drive power, and check that the Digital Operator display has completely disappeared.
5. Turn ON the input power to the Drive once again.
6. Perform communication with the DDC.

■ Related Parameters

Table D.2 Serial Communication Related Parameters						
Parameter No.	Parameter Name Digital Operator Display	Description	Setting Range	Factory Setting	Chapter Ref #	Menu Location
b1-01	Frequency Reference Selection Reference Source	Selects the speed command (frequency reference) input source. 0: Operator - Digital preset speed d1-01 1: Terminals - Analog Input Terminal A1 (or Terminal A2 see parameter H3-13) 2: Serial Com - RS-485 terminals R+, R-, S+ and S- 3: Option PCB - Option board connected at 2CN	0 to 3	1		Quick Setting
b1-02	Run Command Selection Run Source	Selects the run command input source. 0: Operator - "Hand" and "Off" keys on digital operator 1: Terminal - Contact Closure on Terminal S1 2: Serial Com - RS-485 terminals R+, R-, S+ and S- 3: Option PCB - Option board connected at 2CN	0 to 3	1		Quick Setting
H5-01	Drive Node Address Serial Com Adr	Selects Drive station node number (address) for terminals R+, R-, S+, S-.* * Set H5-01 to 0 to disable Drive responses to Modbus communications.	0 to FF (H5-08 dependent)	1F		Programming
H5-02	Communication Speed Selection Serial Baud Rate	Selects the baud rate for terminals R+, R-, S+ and S-.* 0: 1200 Baud 1: 2400 Baud 2: 4800 Baud 3: 9600 Baud 4: 19200 Baud	0 to 4	3		Programming
H5-03	Communication Parity Selection Serial Com Sel	Selects the communication parity for terminals R+, R-, S+ and S-.* 0: No Parity 1: Even Parity 2: Odd Parity	0 to 2	0		Programming
H5-04	Stopping Method after Communication Error Serial Fault Sel	Selects the stopping method when a communication error is detected. 0: Ramp to Stop 1: Coast to Stop 2: Fast-Stop 3: Alarm Only 4: Run at D1-04	0 to 3	3		Programming
H5-05	Communication Error Detection Selection Serial Flt Dtct	Enables or disables the communications timeout detection function. 0: Disabled - A communications loss will NOT cause a communications fault. 1: Enabled - If communications is lost for more than the time specified in parameter H5-09, a communications fault will occur.	0 or 1	1		Programming
H5-06	Drive Transmit Wait Time Transmit WaitTIM	Sets the time from when the Drive receives data to when the Drive sends data.	5 to 65	5ms		Programming
H5-07	RTS Control Selection RTS Control Sel	Enables or disables request to send (RTS) control: 0: Disabled 1: Enabled	0 or 1	1		Programming
H5-08	Communication Protocol Selection Protocol Select	Selects the communication protocol. 0: Modbus 1: N2 (Metasys) 2: P1 (APOGEE)	0 to 2	0		Programming
H5-09	Communication Error Detection Time CE Detect Time	Determines how long communications must be lost before a fault is annunciated. Works in conjunction with parameters H5-05 and H5-04.	0.0 to 10.0	2.0sec		Programming

* After these parameters are changed Drive power must be cycled before the changes will take effect.

Modbus communication can perform the following operations regardless of the settings in b1-01 and b1-02:

1. Monitoring operation status of the Drive
2. Setting and reading Drive parameters
3. Resetting faults
4. Input multi-function commands

IMPORTANT

An OR operation is performed between the multi-function command input from the DDC and the command input from multi-function digital input terminals S3 to S7.

■ Message Format

In Modbus communication, the master sends commands to the slave, and the slave responds. The message format is configured for both sending and receiving as shown below. The length of the data packets is changed by the command (function) contents.

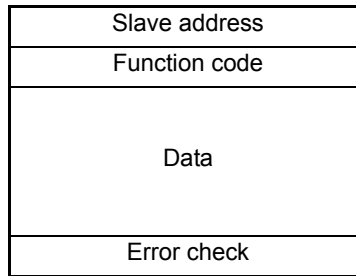


Fig D.4 Message Format

The space between messages must support the following:

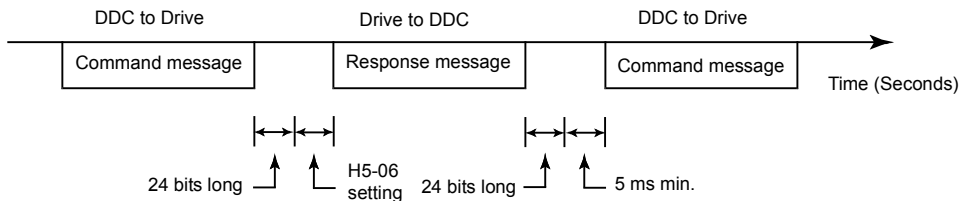


Fig D.5 Message Spacing

Slave Address

Set the Drive address from 0 to 32. If 0 is selected, commands from the master will be broadcast (i.e., the Drive will not return responses).

Function Code

The function code specifies commands. There are four function codes, as shown below.

Table D.3 Modbus Function Codes					
Function Code (Hexadecimal)	Function	Command Message		Response Message	
		Min. (Bytes)	Max. (Bytes)	Min.* (Bytes)	Max. (Bytes)
03H	Reading/Holding Register Contents	8	8	7	37
06H	Write In Single Holding Register	8	8	8	8
08H	Loopback Test	8	8	8	8
10H	Write In Several Holding Registers	11	41	8	8

* Minimum bytes for a normal Response Message (error response message is always 5 bytes).

Data

Configure consecutive data by combining the storage register address (test code for a loopback address) and the data the register contains. The data length changes depending on the command details.

Error Check

Errors are detected during communication using CRC-16. Perform calculations using the following method:

1. The factory setting for CRC-16 communication is typically zero, but when using the Modbus system, set the factory setting to one (e.g., set all 16 bits to 1).
2. Calculate CRC-16 using MSB as slave address LSB, and LSB as the MSB of the final data.
3. Calculate CRC-16 for response messages from the slaves and compare them to the CRC-16 in the response messages.

◆ Modbus Function Code Details

■ Reading/Holding Register Contents (03H)

Read the contents of the storage register only for specified quantities. The addresses must be consecutive, starting from a specified address. The data content of the storage register are separated into higher 8 bits and lower 8 bits.

The following table shows message examples when reading status signals, error details, data link status, and frequency references from the slave 2 Drive.

Command Message			Response Message (During Normal Operation)			Response Message (During Error)		
Slave Address		02H	Slave Address		02H	Slave Address		02H
Function Code		03H	Function Code		03H	Function Code		83H
Start Address	Higher	00H	Data quantity		08H	Error code		03H
	Lower	20H	1st storage register	Higher	00H	CRC-16	Higher	F1H
Quantity	Higher	00H		Lower	65H		Lower	31H
	Lower	04H	Next storage register	Higher	00H			
Higher		45H		Lower	00H			
CRC-16	Higher	F0H	Next storage register	Higher	00H			
	Lower			Lower	00H			
			Next storage register	Higher	01H			
				Lower	F4H			
			CRC-16	Higher	AFH			
				Lower	82H			

Fig D.6 Function Code 03H Message Example

■ Write In Single Holding Register (06H)

Command Message			Response Message (During Normal Operation)			Response Message (During Error)		
Slave Address		01H	Slave Address		01H	Slave Address		01H
Function Code		06H	Function Code		06H	80H + Function Code		86H
Register Address	Upper	00H	Register Address	Upper	00H	Error code		21H
	Lower	01H		Lower	01H	CRC-16	Upper	82H
Setting Data	Upper	00H	Setting Data	Upper	00H		Lower	78H
	Lower	03H		Lower	03H			
CRC-16	Upper	98H	CRC-16	Upper	98H			
	Lower	0BH		Lower	0BH			

Fig D.7 Function Code 06H Message Example

■ Loopback Test (08H)

The loopback test returns the command message directly as the response message without changing the contents to check the communications between the master and slave. Set user-defined test code and data values.

The following table shows a message example when performing a loopback test with the slave 1 Drive.

Command Message			Response Message (During Normal Operation)			Response Message (During Error)		
Slave address		01H	Slave address		01H	Slave address		01H
Function code		08H	Function code		08H	Function code		89H
Test Code	Higher	00H	Test Code	Higher	00H	Error Code		01H
	Lower	00H		Lower	00H	CRC-16	Higher	86H
Data	Higher	A5H	Data	Higher	A5H		Lower	50H
	Lower	37H		Lower	37H			
CRC-16	Higher	DAH	CRC-16	Higher	DAH			
	Lower	8DH		Lower	8DH			

Fig D.8 Function Code 08H Message Example

■ Write In Several Holding Registers (10H)

Write the specified data to the registers from the specified addresses. The written data must be consecutive, starting from the specified address in the command message: Higher 8 bits, then lower 8 bits, in storage register address order.

The following table shows an example of a message when a forward run command has been set at a speed command of 60.0 Hz in the slave 1 Drive by the PLC.

Command Message			Response Message (During Normal Operation)			Response Message (During Error)		
Slave Address		01H	Slave Address		01H	Slave Address		01H
Function Code		10H	Function Code		10H	Function Code		90H
Start Address	Higher	00H	Start Address	Higher	00H	Error code		02H
	Lower	01H		Lower	01H	CRC-16	Higher	CDH
Quantity	Higher	00H	Quantity	Higher	00H		Lower	C1H
	Lower	02H		Lower	02H			
No. of data		04H	CRC-16	Higher	10H			
Lead data	Higher	00H		Lower	08H			
	Next data	Higher	02H					
Lower		58H						
CRC-16	Higher	63H						
	Lower	39H						

* No. of data = 2 x (quantity)

Fig D.9 Function Code 10H Message Example

IMPORTANT

Set the number of data specified using command messages as quantity of specified messages x 2. Handle response messages in the same way.

◆ Modbus Data Tables

The data tables are shown below. The types of data are as follows: Reference data, monitor data and broadcast data.

■ Reference Data

The reference data table is shown below. Reference data can be read and written to.

Table D.4 Reference Data		
Register No.	Contents	
0000H	Reserved	
0001H	Frequency reference	
	Bit 0	Run/stop command 1: Run 0: Stop
	Bit 1	Forward/reverse operation 1: Reverse 0: Forward
	Bit 2	External fault 1: Fault (EFO)
	Bit 3	Fault reset 1: Reset command
	Bit 4	ComNet
	Bit 5	ComCtrl
	Bit 6	Multi-function digital input command 3
	Bit 7	Multi-function digital input command 4
	Bit 8	Multi-function digital input command 5
	Bit 9	Multi-function digital input command 6
	Bit A	Multi-function digital input command 7
	Bits B to F	Not used
0002H	Frequency reference (Set units using parameter o1-03)	
0003H to 0005H	Not used	
0006H	PI Setpoint	
0007H	Analog output 1 setting (-11 V = 726 to 11 V = 726) → 10V = 660	
0008H	Analog output 2 setting (-11 V = 726 to 11 V = 726) → 10V = 660	
0009H	Multi-function contact output setting	
	Bit 0	Digital output 1 (Terminal M1-M2) 1: ON 0: OFF
	Bit 1	Digital output 2 (Terminal M3-M4) 1: ON 0: OFF
	Bit 2	Not Used
	Bits 3 to 5	Not used
	Bit 6	Set fault contact (terminal MA-MC) output using bit 7. 1: ON 0: OFF
	Bit 7	Fault contact (terminal MA-MC) 1: ON 0: OFF
Bits 8 to F	Not used	
000AH to 000EH	Not used	
000FH	Reference selection settings	
	Bit 0	Not used
	Bit 1	Input PI setpoint 1: Enabled 0: Disabled
	Bits 3 to B	Not used
	C	Broadcast data terminal S5 input 1: Enabled 0: Disabled
	D	Broadcast data terminal S6 input 1: Enabled 0: Disabled
	E	Broadcast data terminal S7 input 1: Enabled 0: Disabled
F	Not used	

Note: Write 0 to all unused bits. Also, do not write data to reserved registers.

■ Monitor Data

The following table shows the monitor data. Monitor data can only be read.

Table D.5 Monitor Data		
Register No.	Contents	
0020H	Drive status	
	Bit 0	Operation 1: Operating 0: Stopped
	Bit 1	Reverse operation 1: Reverse operation 0: Forward operation
	Bit 2	Drive startup complete 1: Completed 0: Not completed
	Bit 3	Fault 1: Fault
	Bit 4	Data setting error 1: Error
	Bit 5	Multi-function digital output 1 (terminal M1 - M2) 1: ON 0: OFF
	Bit 6	Multi-function digital output 2 (terminal M3 - M4) 1: ON 0: OFF
	Bit 7	Not used
Bits 8 to F	Not used	
0021H	Fault details	
	Bit 0	Overcurrent (OC) Ground fault (GF)
	Bit 1	Main circuit overvoltage (OV)
	Bit 2	Drive overload (OL2)
	Bit 3	Drive overheat (OH1, OH2)
	Bit 4	Not used
	Bit 5	Fuse blown (PUF)
	Bit 6	PI feedback reference lost (FbL)
	Bit 7	External error (EF, EFO)
	Bit 8	Hardware error (CPF)
	Bit 9	Motor overload (OL1) or overtorque 1 (OL3) detected
	Bit A	PG broken wire detected (PGO), Overspeed (OS), Speed deviation (DEV)
	Bit B	Main circuit undervoltage (UV) detected
	Bit C	Main circuit undervoltage (UV1), control power supply error (UV2), inrush prevention circuit error (UV3), power loss
Bit D	Missing output phase (LF)	
Bit E	Modbus communications error (CE)	
Bit F	Operator disconnected (OPR)	
0022H	Data link status	
	Bit 0	Writing data
	Bit 1	Not used
	Bit 2	Not used
	Bit 3	Upper and lower limit errors
	Bit 4	Data integrity error
Bits 5 to F	Not used	
0023H	Frequency reference	U1-01
0024H	Output frequency	U1-02
0025H	Output voltage reference	U1-06
0026H	Output current	U1-03
0027H	Output power	U1-08
0028H	Torque reference	U1-09
0029H	Not used	
002AH	Not used	

Table D.5 Monitor Data (Continued)

Register No.	Contents	
002BH	Sequence input status	
	Bit 0	Input terminal S1 1: ON 0: OFF
	Bit 1	Input terminal S2 1: ON 0: OFF
	Bit 2	Multi-function digital input terminal S3 1: ON 0: OFF
	Bit 3	Multi-function digital input terminal S4 1: ON 0: OFF
	Bit 4	Multi-function digital input terminal S5 1: ON 0: OFF
	Bit 5	Multi-function digital input terminal S6 1: ON 0: OFF
	Bit 6	Multi-function digital input terminal S7 1: ON 0: OFF
	Bits 7 to F	Not used
002CH	Drive status	
	Bit 0	Operation 1: Operating
	Bit 1	Zero speed 1: Zero speed
	Bit 2	Frequency agree 1: Matched
	Bit 3	Desired frequency agree 1: Matched
	Bit 4	Frequency detection 1 1: Output frequency \leq L4-01
	Bit 5	Frequency detection 2 1: Output frequency \geq L4-01
	Bit 6	Drive startup completed 1: Startup completed
	Bit 7	Low voltage detection 1: Detected
	Bit 8	Baseblock 1: Drive output baseblock
	Bit 9	Frequency reference mode 1: Not communication 0: Communication
	Bit A	Run command mode 1: Not communication 0: Communication
	Bit B	Overtorque detection 1: Detected
	Bit C	Frequency reference lost 1: Lost
	Bit D	Retrying error 1: Retrying
	Bit E	Error (including Modbus communications time-out) 1: Error occurred
Bit F	Modbus communications time-out 1: Timed out	
002DH	Multi-function digital output status	
	Bit 0	Multi-function digital output 1 (terminal M1-M2) 1: ON 0: OFF
	Bit 1	Multi-function digital output 2 (terminal M3-M4) 1: ON 0: OFF
	Bit 2	Not used
	Bits 3 to F	Not used
002EH - 0030H	Not used	
0031H	Main circuit DC voltage	
0032H - 0037H	Not used	
0038H	PI feedback level (Input equivalent to 100%/Max. output frequency; 10/1%; without sign)	
0039H	PI input level ($\pm 100\%$ / \pm Max. output frequency; 10/1%; with sign)	
003AH	PI output level ($\pm 100\%$ / \pm Max. output frequency; 10/1%; with sign)	
003BH	CPU software number	
003CH	Flash software number	
003DH	Communication error details	
	Bit 0	CRC error
	Bit 1	Invalid data length
	Bit 2	Not used
	Bit 3	Parity error
	Bit 4	Overrun error
	Bit 5	Framing error
	Bit 6	Time-out
	Bits 7 to F	Not used
003EH	KVA setting	
003FH	Control method	

Note: Communication error details are stored until an error reset is input (errors can be reset while the Drive is operating).

■ Broadcast Data

The following table shows the broadcast data. Broadcast data can be written to.

Table D.6 Broadcast Data		
Register Address	Contents	
0001H	Operation signal	
	Bit 0	Run command 1: Operating 0: Stopped
	Bit 1	Reverse operation command 1: Reverse 0: Forward
	Bits 2 and 3	Not used
	Bit 4	External error 1: Fault (set using H1-01)
	Bit 5	Error Fault 1: Reset command (set using H1-02)
	Bits 6 to B	Not used
	Bit C	Multi-function digital input terminal S5 input
	Bit D	Multi-function digital input terminal S6 input
	Bit E	Multi-function digital input terminal S7 input
Bit F	Not used.	
0002H	Frequency reference	30000/100%

Note: Bit signals not defined in the broadcast operation signals use local node data signals continuously.

■ Enter Command

When writing parameters to the Drive from the PLC using Modbus communication, the parameters are temporarily stored in the constant data area in the Drive. To enable these parameters in the parameter data area, use the Enter command.

There are two types of Enter commands:

1. Enter commands that enable parameter data in RAM
2. Enter commands that write data to EEPROM (non-volatile memory) in the Drive at the same time as enabling data in RAM.

The following table shows the Enter command data. Enter command data can only be written.

The Enter command is enabled by writing 0 to register number 0900H or 0901H.

Table D.7 Enter Command	
Register No.	Contents
0900H	Write parameter data to EEPROM
0910H	Parameter data is not written to EEPROM, but refreshed in RAM only.

IMPORTANT

The maximum number of times you can write to EEPROM using the Drive is 100,000. Do not frequently execute Enter commands (0900H) written to EEPROM.
The Enter command registers are write-only. Consequently, if reading these registers, the register address will become invalid (Error code: 02H).

■ Error Codes

The following table shows Modbus communication error codes.

Error Code	Contents
01H	Function code error A function code other than 03H, 08H, or 10H has been set by the PLC.
02H	Invalid register number error <ul style="list-style-type: none"> • The register address you are attempting to access is not recorded anywhere. • With broadcast sending, a start address other than 0000H, 0001H, or 0002H has been set.
03H	Invalid quantity error <ul style="list-style-type: none"> • The number of data packets being read or written is outside the range of 1 to 16. • In write mode, the number of data packets in the message is not No. of packets x 2.
21H	Data setting error <ul style="list-style-type: none"> • Upper limit or lower limit error has occurred in the control data or when writing parameters. • When writing parameters, the parameter setting is invalid.
22H	Write mode error <ul style="list-style-type: none"> • Attempting to write parameters to the Drive during run. • Attempting to write via Enter commands during run. • Attempting to write parameters other than A1-00 to A1-05, E1-03, or 02-04 when a CPF03 (defective EEPROM) fault has occurred. • Attempting to write read-only data.
23H	Writing during main circuit undervoltage (UV) fault <ul style="list-style-type: none"> • Writing parameters to the Drive during UV (main circuit undervoltage) alarm. • Writing via Enter commands during UV (main circuit undervoltage) alarm.
24H	Writing error during parameters processing Attempting to write parameters while processing parameters in the Drive.

■ Slave Not Responding

In the following cases, the slave will ignore the write function.

- When a communication error (overflow, framing, parity, or CRC-16) is detected in the command message.
- When the slave address in the command message and the slave address in the Drive do not agree.
- When the data that configures the message and the data time length exceed 24 bits.
- When the command message data length is invalid.

IMPORTANT

If the slave address specified in the command message is 0, all slaves execute the write function, but do not return response messages to the master.

◆ Modbus Self-Diagnosis

The Drive has a built-in function for self-diagnosing the operations of serial communication interface circuits. The self-diagnosis function connects the communication parts of the send and receive terminals, receives the data sent by the Drive, and checks if communication is being performed normally.

Perform the self-diagnosis function using the following procedure.

1. Turn ON the power supply to the Drive, and set parameter H1-05 (Terminal S7 Function Selection) to 67 (Com Test Mode).
2. Turn OFF the power supply to the Drive.
3. Perform wiring according to the following diagram while the power supply is turned OFF.
4. Turn ON the terminating resistance. (Turn ON pin 1 on DIP switch 1.)
5. Turn ON the power supply to the Drive again.

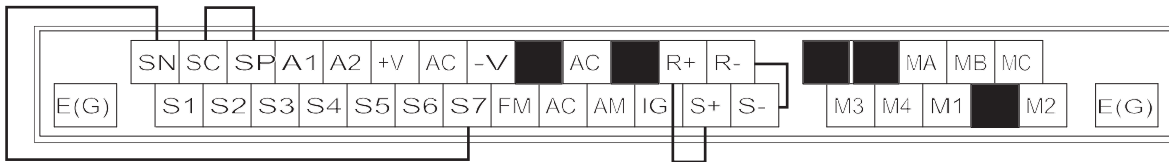


Fig D.10 Communication Terminal Connection for Self -Diagnosis Function

6. During normal self-diagnostic operation, the Digital Operator displays the frequency reference value. If an error occurs, a CE (Modbus communication error) alarm will be displayed on the Digital Operator, the fault contact output will be turned ON, and the Drive operation ready signal will be turned OFF.

Metasys N2 Point Database

◆ Metasys N2 Analog Input (AI) Summary

Object ID	Object Name	Units	E7 Parameter
AI 1	SPEED REFERENCE	0.01 Hz	U1-01
AI 2	OUTPUT SPEED	0.01 Hz	U1-02
AI 3	OUTPUT CURRENT	0.1A	U1-03
AI 4	kWATT HOUR METER	kWh	-
AI 5	OUTPUT POWER	0.1kW	U1-08
AI 6	DRIVE TEMPERATURE	1°C	-
AI 7	PI FEEDBACK	0.01%	U1-24
AI 8	AC OUTPUT VOLTAGE	0.1VAC	U1-06
AI 9	DC BUS VOLTAGE	1Vdc	U1-07
AI 10	FAULT CODE	-	U2-01
AI 11	ELAPSED TIME - HOURS	1 HOUR	U1-13
AI 12	ELAPSED TIME – 10K HOURS	10K HOURS	U1-13
AI 13	MEGAWATT HOUR METER	MWh	U1-30
AI 14	DRIVE RATED CURRENT	A	n9-01
AI 15	COMMUNICATION ERROR CODE	-	U1-39
AI 16	PI DEVIATION	0.01%	U1-36
AI 17	PI OUTPUT CAPACITY	0.01%	U1-37
AI 18	PI REFERENCE	0.01%	U1-38
AI 19	LAST FAULT CODE	-	U2-02
AI 20	FREQ REF @ FAULT	0.01Hz	U2-03
AI 21	OUTPUT FREQ @ FAULT	0.01Hz	U2-04
AI 22	OUTPUT CURRENT @ FAULT	0.1A	U2-05
AI 23	OUT VOLT REF @ FAULT	0.1VAC	U2-07
AI 24	DC BUS VOLTS @ FAULT	1Vdc	U2-08
AI 25	OUTPUT POWER @ FAULT	0.1Kw	U2-09
AI 26	INPUT TERM STATUS @ FAULT	-	U2-11
AI 27	OUTPUT TERM STATUS @ FAULT	-	U2-12
AI 28	OPERATION STATUS @ FAULT	-	U2-13
AI 29	ELAPSED OPERATION TIME @ FAULT	1 HOUR	U2-14
AI 30	MOST RECENT FAULT	-	U3-01
AI 31	2nd MOST RECENT FAULT	-	U3-02
AI 32	3rd MOST RECENT FAULT	-	U3-03
AI 33	4th MOST RECENT FAULT	-	U3-04
AI 34	ELAPSED TIME @ CURRENT FAULT	1 HOUR	U3-05
AI 35	ELAPSED TIME @ 2nd FAULT	1 HOUR	U3-06
AI 36	ELAPSED TIME @ 3rd FAULT	1 HOUR	U3-07
AI 37	ELAPSED TIME @ 4th FAULT	1 HOUR	U3-08
AI 38	READ PARAMETER DATA	-	-

◆ Metasys N2 Analog Output (AO) Summary

Table D.10 Metasys N2 Analog Output Summary (Metasys N2 to E7)				
Object ID	Object Name	Units	Default Value	E7 Parameter
AO 1	SPEED COMMAND	0.01 Hz		-
AO 2	ACCELERATION TIME	SEC	30.0	C1-01
AO 3	DECELERATION TIME	SEC	30.0	C1-02
AO 4	PI PROPORTIONAL GAIN	-	2.00	b5-02
AO 5	PI INTEGRAL TIME	SEC	5.0	b5-03
AO 6	STALL PREVENTION LEVEL – RUN	%	120	L3-06
AO 7	STALL PREVENTION LEVEL – ACCEL	%	120	L3-02
AO 8	REFERENCE OPERATION MODE SELECT	-	1	b1-01
AO 9	RUN OPERATION MODE SELECT	-	1	b1-02
AO 10	PI MODE SELECT	-	0	b5-01
AO 11	FREQUENCY COMMAND UPPER LIMIT	% of MAX	100.0	d2-01
AO 12	FREQUENCY COMMAND LOWER LIMIT	% of MAX	0.0	d2-02
AO 13	MOTOR RATED CURRENT	A	Motor model dependent	E2-01
AO 14	JUMP FREQUENCY 1	0.1Hz	0.0	d3-01
AO 15	JUMP FREQUENCY 2	0.1Hz	0.0	d3-02
AO 16	JUMP FREQUENCY 3	0.1Hz	0.0	d3-03
AO 17	JUMP FREQUENCY BANDWIDTH	0.1Hz	1.0	d3-04
AO 18	NUMBER OF AUTO RESTARTS	-	0	L5-01
AO 19	OPERATOR DISPLAY MODE	-	0	o1-03
AO 20	POWER LOSS RIDE THROUGH	SEC	Drive model dependent	L2-02
AO 21	CABLE LOSS TIME-OUT	SEC	2.0	H5-09
AO 22	CABLE LOSS SPEED	0.01Hz	0.00	d1-04
AO 23	PI INTEGRAL LIMIT	0.1%	100.0	b5-04
AO 24	PI UPPER LIMIT VALUE	0.1	100.0	b5-06
AO 25	PI OFFSET ADJUSTMENT	0.1	0.0	b5-07
AO 26	PI PRIMARY DELAY TIME	0.01	0.00	b5-08
AO 27	PI FEEDBACK REFERENCE MISSING DETECTION SELECT	1	0	b5-12
AO 28	PI FEEDBACK REFERENCE MISSING DETECTION LEVEL	1%	0	b5-13
AO 29	PI FEEDBACK REFERENCE MISSING DETECTION TIME	0.1 SEC	1.0	b5-14
AO 30	READ PARAMETER NUMBER	-		-
AO 31	WRITE PARAMETER NUMBER	-		-
AO 32	WRITE PARAMETER DATA	-		-

◆ Metasys N2 Binary Input (BI) Summary

Object ID	Object Name	Default	Off (0) State	On (1) State
BI 1	RUN / STOP MONITOR	0	STOPPED	RUNNING
BI 2	FORWARD / REVERSE MONITOR	0	FORWARD	REVERSE
BI 3	DRIVE READY MONITOR	0	NOT READY	READY
BI 4	FAULT MONITOR	0	NOT FAULTED	FAULTED
BI 5	ZERO SPEED	0	NOT ZERO SPEED	ZERO SPEED
BI 6	SPEED AGREE	0	NOT SPEED AGREE	SPEED AGREE
BI 7	MINOR FAULT	0	NO MINOR FAULT	MINOR FAULT
BI 8	MAJOR FAULT	0	NO MAJOR FAULT	MAJOR FAULT
BI 9	DRIVE COMMUNICATION ERROR MONITOR	0	NO ERROR	ERROR
BI 10	MULTI-FUNCTION OUTPUT 1 (H2-01)	0	-	-
BI 11	MULTI-FUNCTION OUTPUT 2 (H2-02)	0	-	-
BI 12	MULTI-FUNCTION OUTPUT 3 (H2-03)	0	-	-
BI 13	SAFETY INTERLOCK MONITOR	0	SAFETY CLEAR TERMINAL 3 CLOSED	SAFETY SET TERMINAL 3 OPEN
BI 14	HAND / AUTO REFERENCE MONITOR	0	REMOTE	LOCAL
BI 15	MULTI-FUNCTION INPUT 1 MONITOR	0	OFF	ON
BI 16	MULTI-FUNCTION INPUT 2 MONITOR	0	OFF	ON
BI 17	MULTI-FUNCTION INPUT 3 MONITOR	0	OFF	ON
BI 18	MULTI-FUNCTION INPUT 4 MONITOR	0	OFF	ON
BI 19	MULTI-FUNCTION INPUT 5 MONITOR	0	OFF	ON

◆ Metasys N2 Binary Output (BO) Summary

Object ID	Object Name	Default	Off (0) State	On (1) State
BO 1	RUN FORWARD COMMAND	0	STOP	FORWARD
BO 2	RUN REVERSE COMMAND	0	STOP	REVERSE
BO 3	SERIAL FAULT (EF0) COMMAND	0	NO FAULT	FAULT
BO 4	FAULT RESET COMMAND	0	NO RESET	RESET
BO 5	MULTI-FUNCTION INPUT 1 (H1-01)	0	-	-
BO 6	MULTI-FUNCTION INPUT 2 (H1-02)	0	-	-
BO 7	MULTI-FUNCTION INPUT 3 (H1-03)	0	-	-
BO 8	MULTI-FUNCTION INPUT 4 (H1-04)	0	-	-
BO 9	MULTI-FUNCTION INPUT 5 (H1-05)	0	-	-
BO 10	PANEL LOCK	0	LOCAL/REMOTE AND STOP/RESET KEYS ENABLED	LOCAL/REMOTE AND STOP/RESET KEYS DISABLED
BO 11	COMMUNICATION FAULT ENABLE	0	EF0 NOT ACTIVATED IF CABLE LOSS OCCURS	EF0 ACTIVATED IF CABLE LOSS OCCURS

◆ Mailbox Function Points

■ Reading a Drive Parameter

Two points are defined for reading any Drive parameter:

AO 30 Specifies the parameter to be read from the E7 Drive

AI 38 Reports the value of the parameter specified in AO 30

When this point is read, it retrieves data from the parameter and sends it to the controller

Example:

Writing a value of 387 (183 hex) to AO 30 specifies Drive parameter b1-04. Reading AI 38 returns the current setting of parameter b1-04 to the controller

■ Writing to a Drive Parameter

Two points are defined for writing to any Drive parameter:

AO 31 Specifies the parameter to be written to

AO 32 Entry location of the value to be written to the parameter specified in AO 31. When this point is written to, it will write the value to the Drive. An ENTER or ACCEPT command does not need to be sent for the data to be taken by the Drive. The behavior of the write is the same as with the digital operator. If the Drive is running, there are a limited number of Drive parameters that can be written to.

Example:

Writing a value of 387 (183 hex) to AO 31 specifies Drive parameter b1-04. Writing a value of 1 to AO 32 enables the Drive for reverse run.

APOGEE FLN Point Database

◆ APOGEE FLN Point List Summary

This database is for APOGEE FLN Application 2721 and features 97 logical points: 29 Logical Analog Inputs (LAI), 35 Logical Analog Outputs (LAO), 19 Logical Digital Inputs (LDI) and 14 Logical Digital Outputs (LDO). These points configure, control or monitor the operation of the Drive.

Information to consider when referencing this table:

1. Points not listed are not used in this application.
2. A single value in a column means that the value is the same in English units and in SI units.
3. Point numbers that appear in brackets, e.g. {03}, can be unbundled at the field panel.

Table D.13 APOGEE FLN Application 2721 Point Number Summary

Point Number	Point Type	Point Name	Factory Default (SI Units)	Engr. Units (SI Units)	Slope (SI Units)	Intercept (SI Units)	On Text	Off Text	E7 Parameter
01	LAO	CTLR ADDRESS	31	–	1	0	–	–	H5-01
02	LAO	APPLICATION	–	–	1	0	–	–	–
{03}	LAI	FREQ OUTPUT	0	HZ	0.01	0	–	–	U1-02
{04}	LAI	PCT OUTPUT	0	PCT	0.01	0	–	–	–
{05}	LAI	SPEED	0	RPM	0.01	0	–	–	–
{06}	LAI	CURRENT	0	AMPS (A)	0.01	0	–	–	U1-03
{07}	LAI	TORQUE	0	PCT	0.1	0	–	–	–
{08}	LAI	POWER	0	KW	0.1	0	–	–	U1-08
{09}	LAI	DRIVE TEMP	0	DEG F / C	1	0	–	–	U1-41
{10}	LAI	DRIVE KWH	0	KWH	0.1	0	–	–	U1-29
{11}	LAI	MWH	0	MWH	1	0	–	–	U1-30
{12}	LAI	RUN TIME	0	HRS	1	0	–	–	U1-13
{13}	LAI	DC BUS VOLT	0	PCT	1	0	–	–	U1-07
{14}	LAI	AC OUT VOLT	0	VOLTS (V)	0.1	0	–	–	U1-06
15	LAI	PAR N9.01	0	AMPS (A)	0.01	0	–	–	N9-01
{16}	LAI	RUN TIMEX10K	0	10K HR	1	0	–	–	U1-13
{17}	LAI	FAULT CODE	0	–	1	0	–	–	U2-01
{18}	LDI	MINOR FLT	NO FLT	–	1	0	FAULT	NO FLT	U1-12 (Bit 6)
{19}	LDI	MAJOR FLT	NO FLT	–	1	0	FAULT	NO FLT	U1-12 (Bit 7)
20	LAO	OVRD TIME	1	HRS	1	0	–	–	–
{21}	LDI	FWD.REV	FWD	–	1	0	REV	FWD	U1-12 (Bit 2)
{22}	LDO	CMD REV.STOP	STOP	–	1	0	REV	STOP	–
{23}	LDI	RUN.STOP	STOP	–	1	0	RUN	STOP	U1-12 (Bit 0)
{24}	LDO	CMD RUN.STOP	STOP	–	1	0	FWD	STOP	–
{25}	LDI	ZERO SPEED	OFF	–	1	0	ON	OFF	U1-12 (Bit 1)
{26}	LDI	SPEED AGREE	NO AGR	–	1	0	AGREE	NO AGR	U1-12 (Bit 4)
{27}	LDI	DRIVE READY	NOTRDY	–	1	0	READY	NOTRDY	U1-12 (Bit 5)
{28}	LDI	LOC.REM MON	REMOTE	–	1	0	LOCAL	REMOTE	–
{29}	LDO	DAY.NGT	DAY	–	1	0	NGT	DAY	–
30	LAO	CURRENT LIM	0	AMPS (A)	0.01	0	–	–	E2-01
31	LAO	ACCEL TIME 1	0	SEC	0.1	0	–	–	C1-01
32	LAO	DECEL TIME 1	0	SEC	0.1	0	–	–	C1-02
33	LDO	LOCK PANEL	UNLOCK	–	1	0	LOCK	UNLOCK	–
35	LDO	RUN ENABLE	STOP	–	1	0	ENABLE	STOP	–
36	LAO	STALL PRE RN	90	PCT	30	0	–	–	L3-06
37	LAO	STALL PRE AC	120	PCT	1	0	–	–	L3-02
38	LAO	FREQ UP LIM	100	PCT	0.1	0	–	–	D2-01

Table D.13 APOGEE FLN Application 2721 Point Number Summary (Continued)

Point Number	Point Type	Point Name	Factory Default (SI Units)	Engr. Units (SI Units)	Slope (SI Units)	Intercept (SI Units)	On Text	Off Text	Drive Parameter
39	LAO	FREQ LOW LIM	0	PCT	0.1	0	-	-	d2-02
{40}	LDI	MULTI OUT 1	OFF	-	1	0	ON	OFF	U1-11 (Bit 0)
{41}	LDI	MULTI OUT 2	OFF	-	1	0	ON	OFF	U1-11 (Bit 1)
{42}	LDI	MULTI OUT 3	OFF	-	1	0	ON	OFF	U1-11 (Bit 2)
{43}	LDI	SAFETY ILOCK	OFF	-	1	0	ON	OFF	-
{44}	LDO	MF INP 1	OFF	-	1	0	ON	OFF	-
{45}	LDO	MF INP 2	OFF	-	1	0	ON	OFF	-
{46}	LDO	MF INP 3	OFF	-	1	0	ON	OFF	-
{47}	LDO	MF INP 4	OFF	-	1	0	ON	OFF	-
{48}	LDO	MF INP 5	OFF	-	1	0	ON	OFF	-
49	LAO	JUMP FREQ 1	0	HZ	0.1	0	-	-	d3-01
50	LAO	JUMP FREQ 2	0	HZ	0.1	0	-	-	d3-02
51	LAO	JUMP FREQ 3	0	HZ	0.1	0	-	-	d3-03
52	LAO	JUMP FREQ BW	0	HZ	0.1	0	-	-	d3-04
53	LAO	NUM AUTOSTRT	0	-	1	0	-	-	L5-01
54	LAO	POWER LOSS RT	0.1	SEC	0.1	0	-	-	L2-02
55	LAO	RUN OP MODE	1	-	1	0	-	-	b1-02
56	LAO	REF OP MODE	1	-	1	0	-	-	b1-01
57	LAO	OPER DISP MD	0	-	1	0	-	-	o1-03
{58}	LDI	MF IN 1 MON	OFF	-	1	0	ON	OFF	U1-10 (Bit 2)
{59}	LDI	MF IN 2 MON	OFF	-	1	0	ON	OFF	U1-10 (Bit 3)
{60}	LAO	INPUT REF 1	0	HZ	0.01	0	-	-	-
61	LAO	INPUT REF 2	0	HZ	0.01	0	-	-	d1-02
{62}	LAI	PID FEEDBACK	0	PCT	0.01	0	-	-	U1-24
63	LAO	PID P GAIN	1	-	0.01	0	-	-	b5-02
64	LAO	PID I TIM	1	SEC	0.1	0	-	-	b5-03
65	LDO	PID MODE SEL	DISABLE	-	1	0	ENABLE	DISABLE	b5-01
{66}	LAI	LST FLT CODE	0	-	1	0	-	-	U2-02
{67}	LAI	FREF.FLT	0	HZ	0.01	0	-	-	U2-03
{68}	LAI	OUT FREQ FLT	0	HZ	0.01	0	-	-	U2-04
{69}	LAI	OUT CUR.FLT	0	AMPS (A)	0.01	0	-	-	U2-05
70	LAO	RD PARAM NUM	1	-	1	0	-	-	-
71	LAI	RD PARAM DAT	0	-	1	0	-	-	-
72	LAO	WR PARAM NUM	1	-	1	0	-	-	-
73	LAO	WR PARAM DAT	0	-	1	0	-	-	-
{74}	LDI	MF IN 3 MON	OFF	-	1	0	ON	OFF	U1-10 (Bit 4)
{75}	LAI	OUT VOLT.FLT	0	VOLTS (V)	0.1	0	-	-	U2-07
{76}	LAI	DC BUS.FLT	0	VOLTS (V)	1	0	-	-	U2-08
{77}	LAI	OUT PWR.FLT	0	KW	0.1	0	-	-	U2-09
{78}	LDI	MF IN 4 MON	OFF	-	1	0	ON	OFF	U1-10 (Bit 5)
{79}	LAI	PID DEVIATE	0	PCT	0.01	0	-	-	U1-36
80	LAO	PID I LIMIT	100	PCT	0.1	0	-	-	b5-04
81	LAO	PID UP LIMIT	100	PCT	0.1	0	-	-	b5-06
82	LAO	PID OFFS ADJ	100	PCT	0.1	-100	-	-	b5-07
83	LAO	PID PRI DYTM	0	SEC	0.1	0	-	-	b5-08
84	LAO	PID FB RMDS	0	-	1	0	-	-	b5-12
85	LAO	PID FB RMDL	0	PCT	1	0	-	-	b5-13
86	LAO	PID FB RMDT	1	SEC	0.1	0	-	-	b5-14

Table D.13 APOGEE FLN Application 2721 Point Number Summary (Continued)

Point Number	Point Type	Point Name	Factory Default (SI Units)	Engr. Units (SI Units)	Slope (SI Units)	Intercept (SI Units)	On Text	Off Text	Drive Parameter
{87}	LAI	PID OUT CAP	0	PCT	0.01	0	–	–	U1-37
{88}	LAI	PID REF	0	PCT	0.01	0	–	–	U1-38
{89}	LAI	COM ERR CD	0	–	1	0	–	–	U1-39
90	LDO	COM FLT ENA	DISABLE	–	1	0	ENABLE	DISABLE	H5-05
91	LAO	CBL LOSS FRQ	0	HZ	0.01	0	–	–	d1-04
92	LAO	CBL LOSS TMR	2	SEC	0.1	0	–	–	H5-09
{93}	LDI	OK.FAULT	OK	–	1	0	FAULT	OK	U1-12 (Bit 7)
{94}	LDO	RESET FAULT	NO	–	1	0	RESET	NO	–
{95}	LDI	DRV COM ERR	NO FLT	–	1	0	FAULT	NO FLT	–
{96}	LDO	EXTERNAL FLT	OK	–	1	0	FAULT	OK	–
{97}	LDI	MF IN 5 MON	OFF	–	1	0	ON	OFF	U1-10 (Bit 6)
{99}	LAI	ERROR STATUS	0	–	1	0	–	–	–

◆ APOGEE FLN Logical Analog Input (LAI) Summary

Table D.14 APOGEE FLN Application 2721 Logical Analog Input (LAI) Summary (Drive to APOGEE FLN)

Point Number	Database Descriptor	Units	Slope	Intercept	Default	Min	Max	Drive Parameter
3	FREQ OUTPUT	HZ	0.01	0	0	Fmin	Fmax	U1-02
4	PCT OUTPUT	PCT	0.01	0	0	0	100	–
5	SPEED	RPM	1	0	0	Fmin	Fmax	–
6	CURRENT	AMPS	0.01 or 0.1	0	0	0	DriveMax	U1-03
7	TORQUE	PCT	0.1	0	0	0	300	–
8	POWER	KW	0.1	0	0	0	100	U1-08
9	DRIVE TEMP	DEG F	1	0	DrvTemp	0	4000	U1-41
10	DRIVE KWH	KWH	0.1 or 1 kVA Dep	0	0	0	32767	U1-29
11	DRIVE MWH	MWH	1	0	0	0	32767	U1-30
12	RUN TIME	HR	1	0	0	0	32767	U1-13
13	DC BUS VOLT	VOLTS	1	0	kVA Dep	0	4000	U1-07
14	AC OUT VOLT	VOLTS	1	0	0	0	kVA Dep	U1-06
15	DRV RATED AMP	AMPS	0.01 or 0.1	0	0	0	kVA Dep	n9-01
16	RUN TIME x 10K	10K HR	1	0	0	0	32767	U1-13
17	FAULT CODE	ERR CD	1	0	0	0	–	U2-01
62	PID FEEDBACK	HZ	0.01	0	0	0	40	U1-24
66	LST FLT CODE	–	1	0	0	–	–	U2-02
67	FREF.FLT	HZ	0.01	0	0	0	400	U2-03
68	OUT FREQ.FAULT	HZ	0.01	0	0	0	400	U2-04
69	OUT CUR.FLT	AMPS	0.1	0	0	0	kVA Dep	U2-05
71	RD PARAM DAT	–	1	0	–	–	–	–
75	OUT VOLT.FLT	VOLTS	0.1	0	0	0	400	U2-07
76	DC BUS.FLT	VOLTS	1	0	0	0	4000	U2-08
77	OUT PWR.FLT	KW	0.1	0	0	0	400	U2-09
79	PID DEVIATE	PCT	0.01	0	0	0	400	U1-36
87	PID OUT CAP	PCT	0.01	0	0	0	40	U1-37
88	PID REF	PCT	0.01	0	0	0	40	U1-38
89	COM ERR CD	–	1	0	0	0	4000	U1-39
99	ERROR STATUS	–	1	0	0	0	255	–

◆ APOGEE FLN Logical Analog Output (LAO) Summary

Table D.15 APOGEE FLN Application 2721 Logical Analog Output (LAO) Summary (APOGEE FLN to Drive)

Point Number	Database Descriptor	Units	Slope	Intercept	Default	Min	Max	Drive Parameter
1	CTLR ADDRESS	–	1	0	31	0	99	H5-01
2	APPLICATION	–	1	0	2721	0	32767	–
20	OVRD TIME	HR	1	0	8	1	255	–
30	CURRENT LIMIT	A	0.01 or 0.1	0	kVA Dep	0	1500	E2-01
31	ACCEL TIME	SEC	0.1	0	10	0	32767	C1-01
32	DECEL TIME	SEC	0.1	0	10	0	32767	C1-02
36	STALL PRE RN	PCT	30	0	90	0	170	L3-06
37	STALL PRE AC	PCT	1	0	120	0	200	L3-02
38	FREQ UP LIM	PCT	0.1	0	100	0	110	d2-01
39	FREQ LOW LIM	PCT	0.1	0	0	0	110	d2-02
49	JUMP FREQ 1	HZ	0.1	0	0	0	400	d3-01
50	JUMP FREQ 2	HZ	0.1	0	0	0	400	d3-02
51	JUMP FREQ 3	HZ	0.1	0	0	0	400	d3-03
52	JUMP FREQ BW	HZ	0.1	0	1	0	20	d3-04
53	NUM AUTOSTRT	–	1	0	0	0	10	L5-01
54	PWR LOSS RT	SEC	0.1	0	0	0	25.5	L2-02
55	RUN OP MODE	–	1	0	1	0	3	b1-02
56	REF OP MODE	–	1	0	1	0	3	b1-01
57	OPER DISP MD	–	1	0	0	0	32767	o1-03
60	INPUT REF 1	HZ	0.01	0	0	0	400	–
61	INPUT REF 2	HZ	0.01	0	0	0	400	d1-02
63	PID P GAIN	–	0.01	0	1	0	25	b5-02
64	PID I TIME	SEC	0.1	0	1	0	360	b5-03
70	RD PARAM NUM	–	1	0	–	–	–	–
72	WR PARAM NUM	–	1	0	–	–	–	–
73	WR PARAM DAT	–	1	0	–	–	–	–
80	PID I LIMIT	PCT	0.1	0	100	0	100	b5-04
81	PID UP LIM	PCT	0.1	0	100	0	100	b5-06
82	PID OFFS ADJ	PCT	0.1	-100	0	0	200	b5-07
83	PID PRI DYTM	SEC	0.01	0	0	0	10	b5-08
84	PID FB RMDS	–	1	0	0	0	2	b5-12
85	PID FB RMDL	–	1	0	1	0	2	b5-13
86	PID FB RMDT	SEC	0.1	0	1	0	25.5	b5-14
91	CBL LOSS FRQ	HZ	0.01	0	0	0	400	d1-04
92	CBL LOSS TMR	SEC	0.1	0	2	0	3600	H5-09

◆ APOGEE FLN Logical Digital Input (LDI) Summary

Table D.16 APOGEE FLN Application 2721 Logical Digital Input (LDI) Summary (E7 to APOGEE FLN)

Point Number	Database Descriptor	Slope	Intercept	Default	Min	Max	Off (0) State	On (1) State	E7 Parameter
18	MINOR FLT	1	0	0	0	1	NO FLT	FAULT	U1-12 (Bit 6)
19	MAJOR FLT	1	0	0	0	1	NO FLT	FAULT	U1-12 (Bit 7)
21	FWD.REV	1	0	0	0	1	FWD	REV	U1-12 (Bit 2)
23	RUN.STOP	1	0	0	0	1	STOP	RUN	U1-12 (Bit 0)
25	ZERO SPEED	1	0	0	0	1	OFF	ON	U1-12 (Bit 1)
26	SPEED AGREE	1	0	0	0	1	NO AGR	AGREE	U1-12 (Bit 4)
27	DRIVE READY	1	0	0	0	1	NOTRDY	READY	U1-12 (Bit 5)
28	HND/AUTO MON	1	0	0	0	1	REMOTE	LOCAL	–
40	MULTI OUT 1	1	0	0	0	1	OFF	ON	U1-11 (Bit 0)
41	MULTI OUT 2	1	0	0	0	1	OFF	ON	U1-11 (Bit 1)
42	MULTI OUT 3	1	0	0	0	1	OFF	ON	U1-11 (Bit 2)
43	SAFETY ILOCK	1	0	0	0	1	OFF	ON	–
58	MF IN 1 MON	1	0	0	0	1	OFF	ON	U1-10 (Bit 2)
59	MF IN 2 MON	1	0	0	0	1	OFF	ON	U1-10 (Bit 3)
74	MF IN 3 MON	1	0	0	0	1	OFF	ON	U1-10 (Bit 4)
78	MF IN 4 MON	1	0	0	0	1	OFF	ON	U1-10 (Bit 5)
93	OK.FAULT	1	0	0	0	1	NO FLT	FAULT	U1-12 (Bit 7)
95	DRV COM ERR	1	0	0	0	1	NO FLT	FAULT	–
97	MF IN 5 MON	1	0	0	0	1	OFF	ON	U1-10 (Bit 6)

◆ APOGEE FLN Logical Digital Output (LDO) Summary

Table D.17 APOGEE FLN Application 2721 Logical Digital Output (LDO) Summary (APOGEE FLN to E7)

Point Number	Database Descriptor	Slope	Intercept	Default	Min	Max	Off (0) State	On (1) State	E7 Parameter
22	CMD REV.STOP	1	0	0	0	1	STOP	REV	–
24	CMD RUN.STOP	1	0	0	0	1	STOP	FWD	–
29	DAY.NGT	1	0	0	0	1	DAY	NGT	–
33	LOCK PANEL	1	0	0	0	1	UNLOCK	LOCK	–
35	RUN ENABLE	1	0	0	0	1	STOP	ENABLE	–
44	MF INP 1	1	0	0	0	1	OFF	ON	–
45	MF INP 2	1	0	0	0	1	OFF	ON	–
46	MF INP 3	1	0	0	0	1	OFF	ON	–
47	MF INP 4	1	0	0	0	1	OFF	ON	–
48	MF INP 5	1	0	0	0	1	OFF	ON	–
65	PID MODE SL	1	0	0	0	1	OFF	ON	B5-01
90	COM FLT ENA	1	0	1	0	1	DISABLE	ENABLE	H5-05
94	RESET FAULT	1	0	0	0	1	RESET	OK	–
96	EXTERNAL FLT	1	0	0	0	1	FAULT	OK	–

◆ Mailbox Function Points

■ Reading a Drive Parameter

Two points are defined for reading any Drive parameter:

#70 Specifies the parameter to be read from

#71 Reports the value of the parameter specified in Point #70

When this point is read, it retrieves data from the parameter and sends it to the controller

Example:

Entering a value of 387 (183 hex) in Point #70 specifies Drive parameter B1-04. Reading Point #71 returns the current setting of parameter B1-04 to the controller

■ Writing to a Drive Parameter

Two points are defined for writing to any Drive parameter:

#72 Specifies the parameter to be written to

#73 Entry location of the value to be written to the parameter specified in Point #72

When this point is written to, it will write the value to the Drive. An enter or accept command does not need to be sent for the data to be taken by the Drive. The behavior of the write is the same as with the digital operator. If the Drive is running, there are a limited number of Drive parameters that can be written to.

Example:

Entering a value of 387 (183 hex) in Point #72 specifies Drive parameter B1-04. Commanding Point #73 to a value of 1 enables the Drive for reverse run.

Refer to either the *E7 User's Manual* or the *E7 MODBUS® Technical Manual* for MODBUS® communication set-up and configuration. *The E7 User's Manual* and the *E7 MODBUS® Technical Manual* provide a reference to E7 Drive parameters and their respective Drive addresses.

Appendix E

Peripheral Devices

This appendix describes recommended branch short circuit protection and peripheral devices.

Branch Circuit Short Circuit Protection.....	E-2
Branch Circuit Overload Protection.....	E-3
Peripheral Devices	E-4

Branch Circuit Short Circuit Protection

The following peripheral devices may be required between the AC main circuit power supply and the Drive input terminals L1(R), L2(S), and L3(T). Refer to applicable codes to determine the devices necessary for a given installation. Use Table E.1 or E.2 when selecting fuses and circuit breakers per the NEC. When selecting semiconductor fuses to provide Drive input I²t protection and comply with UL, CSA, NEC, and CEC branch circuit short circuit protection requirements, select one of the fuses in Table E.3 or E.4.

Fuse Type: UL designated Time-Delay or Non-Time-Delay Fuse
 Class: CC, J, T, RK1 or RK5
 Designators (typical): KTK, FNQ, FRS, LPJ, LPS, JKS, JJN, or JJS
 Voltage Rating: 250V for Drives with 208V input
 600V for Drives with 480V input

Circuit Breaker Type: Inverse Time (MCCB) or Instantaneous Trip (MCP)
 Voltage Rating: 600V

Table E.1 Recommended Fuse and Circuit Breaker Ratings per NEC (208 Vac Input)

Model CIMR-E7U	Hp	Input Amps *1 (Continuous Rating)	Output Amps *1 (Continuous Rating)	Fuse Selection Criteria		Circuit Breaker Selection Criteria
				Maximum Time-Delay Fuse Rating (A)	Maximum Non-Time-Delay Fuse Rating (A)	Maximum CB Rating (A)
20P4	0.5/0.75	4.3	3.6	6	12	15
20P7	1	5.5	4.6	8	12	15
21P5	1.5/2	9.4	7.8	15	15	15
22P2	3	13	10.8	20	20	20
23P7	5	20	16.8	30	30	35
25P5	7.5	24	23	40	50	45
27P5	10	37	31	60	80	80
2011	15	53	46.2	80	80	100
2015	20	70	59.4	110	125	125
2018	25	89	74.8	125	150	150

*1 Input and Output Amps are based on the Normal Duty (ND) current rating. Consult the Specification section for details on the Heavy Duty (HD) and Normal Duty (ND) ratings.

Table E.2 Recommended Fuse and Circuit Breaker Ratings per NEC (480 Vac Input)

Model CIMR-E7U	Hp	Input Amps *1 (Continuous Rating)	Output Amps *1 (Continuous Rating)	Fuse Selection Criteria		Circuit Breaker Selection Criteria
				Maximum Time-Delay Fuse Rating (A)	Maximum Non-Time-Delay Fuse Rating (A)	Maximum CB Rating (A)
40P4	0.5/0.75	2.2	1.8	4	10	15
40P7	1	2.5	2.1	4	10	15
41P5	1.5/2	4.4	3.7	8	12	15
42P2	3	6.4	5.3	10	15	15
43P7	5	9	7.6	15	20	20
44P0	-	10.4	8.7	15	30	20
45P5	7.5	15	12.5	25	30	30
47P5	10	20	17	30	30	40
4011	15	33	27	45	50	60
4011	20	33	27	45	50	60
4015	25	40	34	60	70	80
4018	30	48	40	70	80	90
4022	-	55	50.4	80	70	100
4030	40	74	67.2	100	100	125
4030	50	74	67.2	100	100	125

*1 Input and Output Amps are based on the Normal Duty (ND) current rating. Consult the Specification section for details on the Heavy Duty (HD) and Normal Duty (ND) ratings.

Branch Circuit Overload Protection

All models have built-in UL evaluated motor overload protection. Motor overload protection is also provided in accordance with the NEC and CEC. Additional branch circuit overload protection is not required for single motor applications.

Peripheral Devices

The following peripheral devices may be required to be mounted between the AC main circuit power supply and the Drive input terminals R/L1, S/L2, and T/L3.

CAUTION

Never connect a general LC/RC noise filter to the Drive output circuit.
Never connect a phase-advancing capacitor to the input or output sides, or a surge suppressor to the output side of the Drive. When magnetic contactor is installed between the Drive and the motor, never turn it on or off during operation.

For more details on peripheral devices, contact the manufacturer.

Magnetic Contactor

Mount a surge protector on the coil. When using a magnetic contactor to start and stop the Drive, do not exceed one start per hour.

AC and DC reactor

When using the E7N on a power supply transformer with a capacity of 600kVA or more, install a DC reactor. The reactor improves the input power factor and provides protection to the rectifier circuit within the Drive.

Noise filter

Use a noise filter exclusively for the Drive if radio noise generated from the Drive causes other control devices to malfunction.

Drives Technical Support in USA and Canada

Technical Support for Inverters and Drives is available by phone as follows:

Normal: Monday through Friday during the hours of 8 a.m. to 5:00 p.m. C.S.T.

Emergency: After normal hours, 7 days a week including weekends and holidays

To contact Drives Technical Support, please call 1-800-YASKAWA (927-5292).

From the menu, dial 2 for Inverter and Drive Products, then 5 for Technical Support.

Drives Technical Support can also be reached by e-mail at DriveSupport@yaskawa.com.

Support information, such as technical manuals, FAQs, instruction sheets and software downloads are available at our website, www.yaskawa.com.

When calling for technical support, please have the following materials available:

- The appropriate Technical Manual in hand because the support associate may refer to this
- Complete nameplate information from the drive and the motor.
(Confirm that Drive Nameplate Output amps is equal to or greater than Motor Nameplate amps)
- A list with your parameter settings
- A sketch of the electrical power train, from AC line to motor, including filters and disconnects

Field Service, Start Up Assistance, Factory Repair, Replacement Parts, and Other Support

Contact Drives Technical Support for help with any of these needs.

Technical Training

Training is conducted at Yaskawa training centers, at customer sites, and via the internet.

For information, visit www.yaskawa.com or call 1-800-YASKAWA (927-5292).

From the phone menu, dial 2 for Inverter and Drive Products, then 4 for Product Training.

Support in Other Countries

Yaskawa is a multi-national company with offices and service representation around the world.

To obtain support, always contact the local distributor first for guidance and assistance.

Contact the closest Yaskawa office listed for further assistance.

E7N Drive/Bypass



YASKAWA ELECTRIC AMERICA, INC.

2121 Norman Drive South, Waukegan, IL 60085, U.S.A.

Phone: (800) YASKAWA (800-927-5292) or 1-847-887-7000 Fax: (847) 887-7370

Internet: <http://www.yaskawa.com>

YEA Document Number: TM.E7N.01 03/01/2009 Rev. 09-03

Data subject to change without notice. Yaskawa Electric America, Inc.