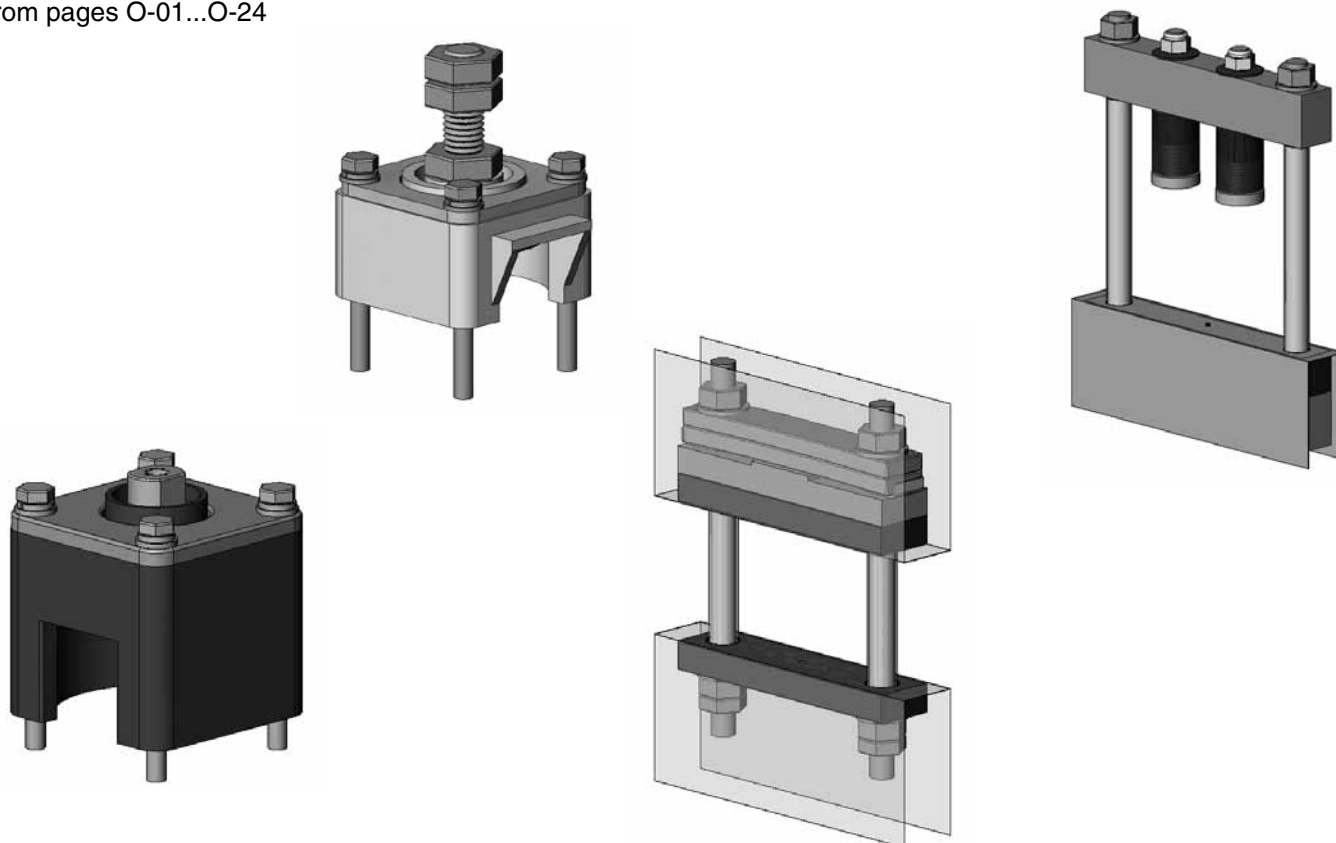


## Bar Clamps

Type		Fixing Centres mm	Rod Size	Outline	Capsule Device			Fig. No.
New Part Number	Old Part Number				Mounting Surface Diameter mm	Nominal Thickness mm	T <sub>j</sub> Max	
<b>XK5000DA128M</b>	CMK5000D128M	146	M16	GTO	75.0	26.0	190	WC40
<b>XK5000DA128ML</b>	CMK5000D128ML							
<b>XK7000DA128M</b>	CMK7000D128M	146	M16	Diode/Thyristor	75.0	26.6	190	WC41
<b>XK7000DA128ML</b>	CMK7000D128ML							
<b>XK3060DA140ML</b>	CMK3060D140ML	154	M12	Press-Pack IGBTs	85.1	26.0	125	WC43
<b>XK3060SA140ML</b>	CMK3060S140ML							WC42
<b>XK9000SA160M</b>	CMK9000S160M	180	M16	Thyristor	99.3	35.8	190	WC44
<b>XK9000SA160ML</b>	CMK9000S160ML							
<b>XK9000DA160M</b>	CMK9000D160M	TBA	TBA	TBA	TBA	TBA	190	WC45
<b>XK9000DA160ML</b>	CMK9000D160ML							
<b>XK6120DA180ML</b>	CMK6120D180ML	196	M16	Press-Pack IGBTs	125.0	26.0	125	WC46
<b>XK6120SA180ML</b>	CMK6120S180ML							WC47

Outline drawings are available from pages O-01...O-24



## Box Clamps

New	Type		Moulded Box Style		Fixing Centres mm	Rod Size	Outline	Capsule Device			Fig. No..
	New Part Number	Old Part Number	Injection	Compression				Mounting Surface Ø mm	Nominal Thickn. mm	T <sub>j</sub> Max	
	<b>XK0450BA019M</b>	CMK450B19M	yes	-	50 PCD	M5x50 Bolts	DO-200AA/TO-200AB	19.0	13.8		WC48
	<b>XK0450BB019M</b>	CMK450B19M	-	yes							
	<b>XK0450BA025M</b>	CMK450B25M	yes	-	50 PCD	M5x50 Bolts	DO-200AA/TO-200AB	25.1	14.6		WC49
	<b>XK0450BB025M</b>	CMK450B25M	-	yes							
>	<b>XK1500BA034M</b>	CMK1500B34M	yes	-	70 PCD	M6x50 Bolts	DO-200AB/TO-200AC	34.0	26.2		WC50

Note: 1Kgf = 9.8 Newtons