

Service Data

Vickers<sup>®</sup> by Danfoss

Motors

---



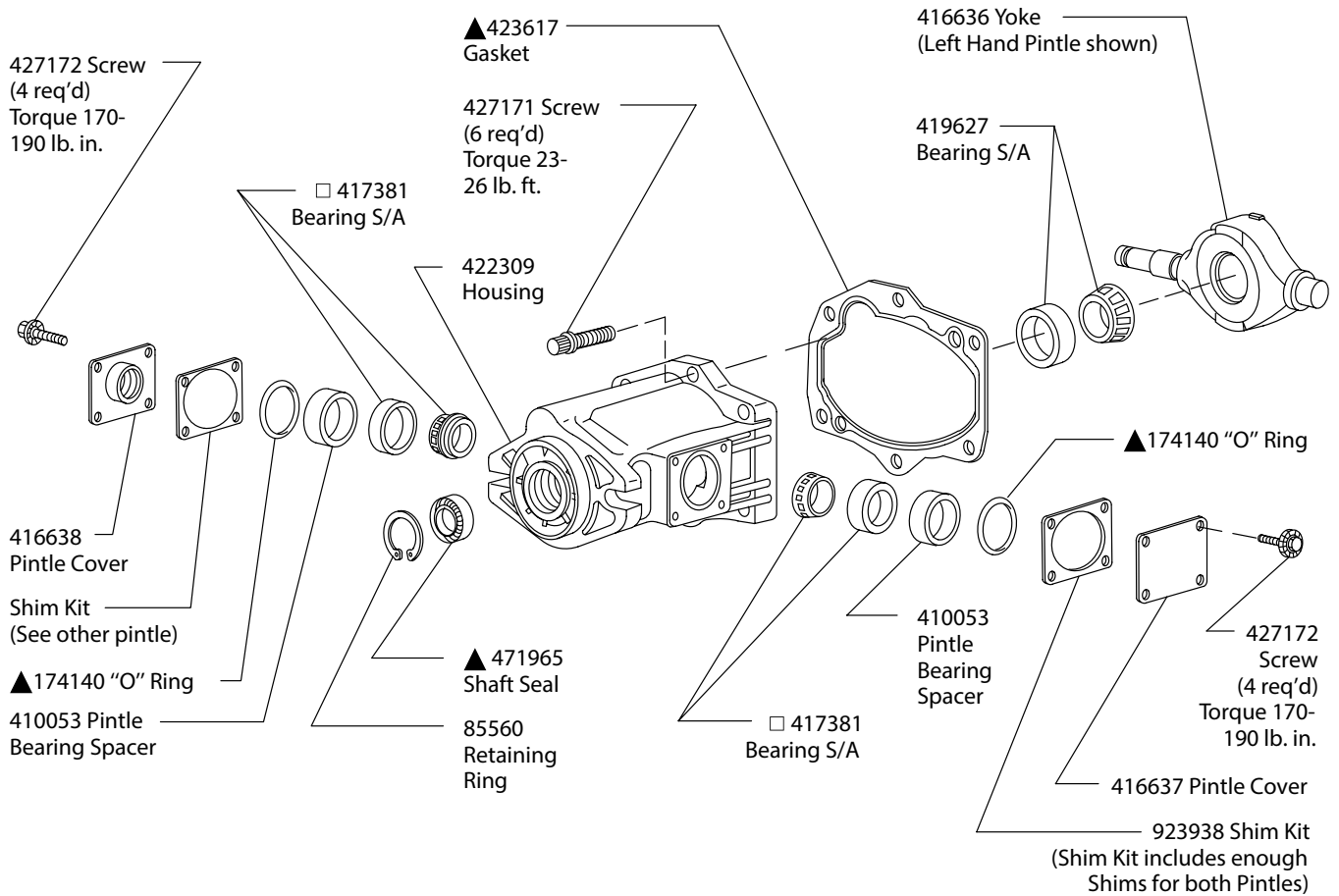
# Variable Displacement Transmission Motors

MVE-19(X)\*\*\*-30

MVE19(X)-\*\*\*-30

Included in	
■ Rotating Group	923941
Pintle Shim Kit	923938
Bearing Spacer Kit	942401
▲ Seal Kit	923940

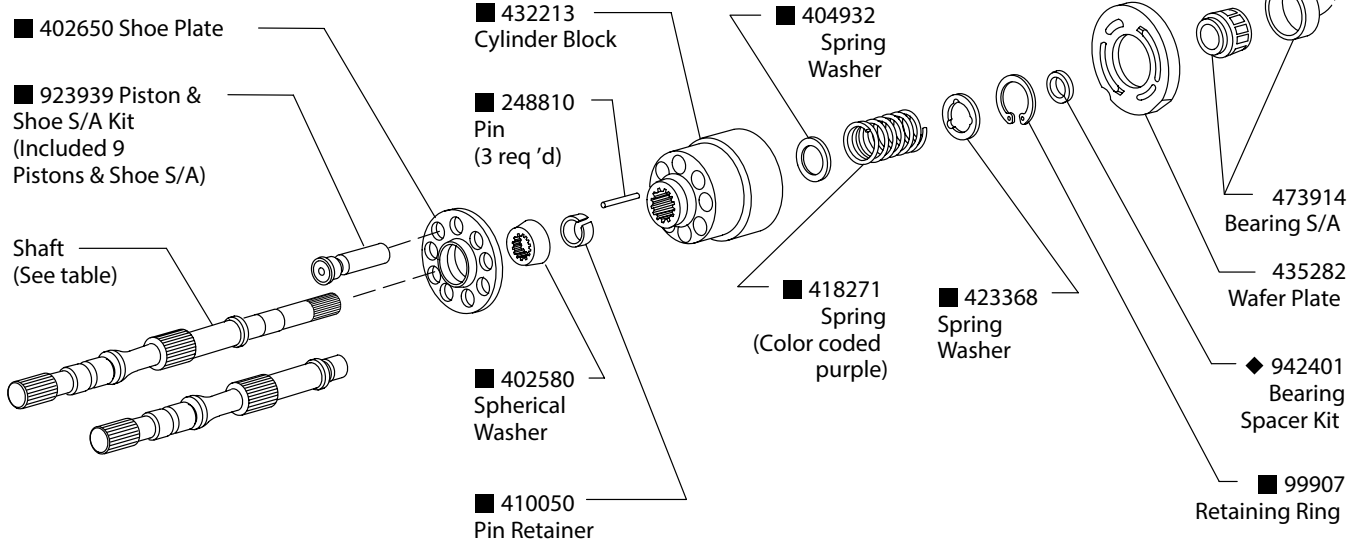
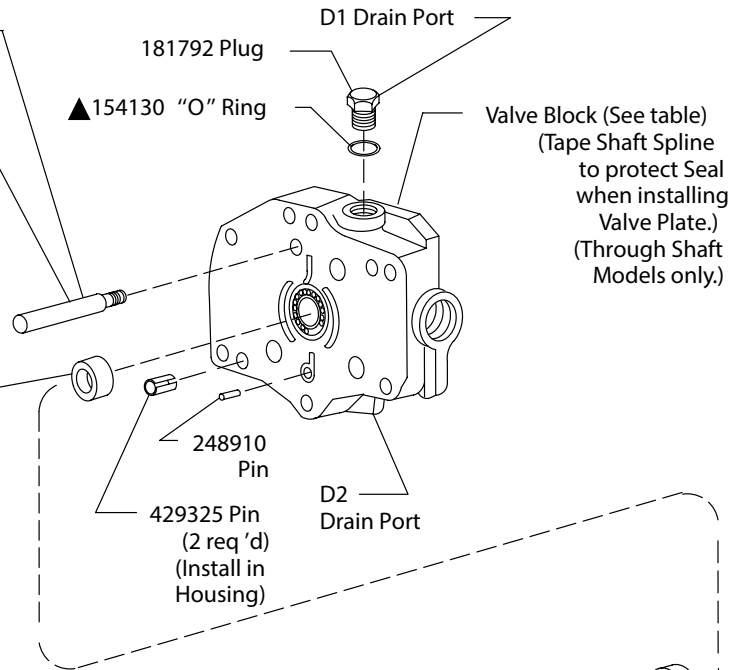
Model	Shaft	Valve Block
MVE19-2-**-30	423415	429728
MVE19-6-**-30	435305	
MVE19-9-**-30	424544	
MVE19-17-**-30	575302	
MVE19X-2-**-30	423419	435284
MVE19X-9-**-30	576788	



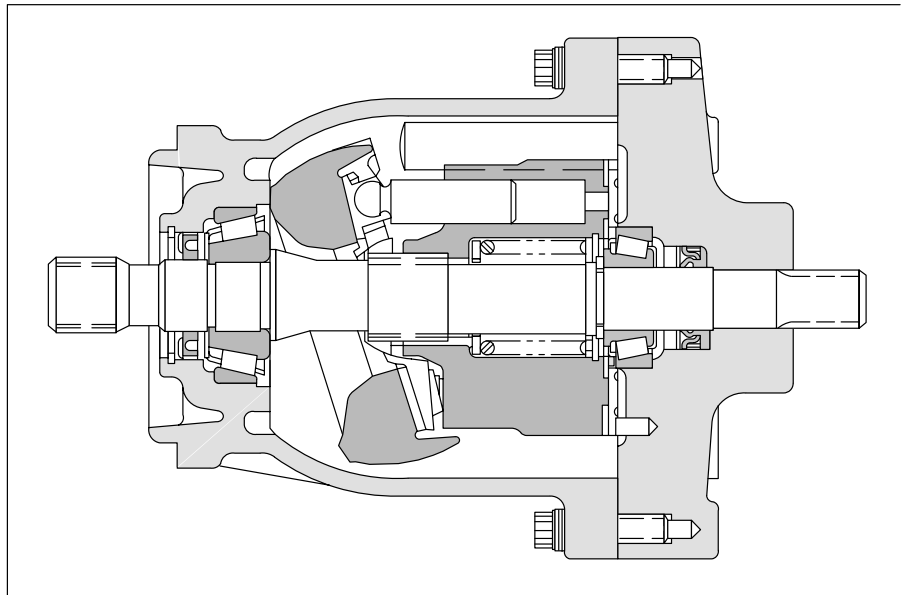
Yoke Stop (Refer to Model Code)  
Torque to 40-46 lb. ft. (Bond using  
Loctite Grade 271 Compound)

Model	Length	Yoke Angle	Part
MVE19* <b>**0</b> -30	3.553	0° to 1° 20'	427364
MVE19* <b>**7</b> -30	3.782	7°	416670
MVE19* <b>**9</b> -30	3.853	9°	428863
MVE19* <b>**11</b> -30	3.923	11°	420935
MVE19* <b>**13</b> -30	3.992	13°	422227
MVE19* <b>**15</b> -30	4.062	15°	428858

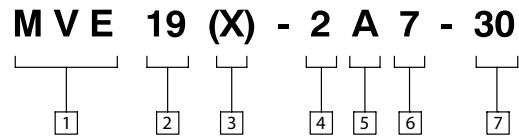
▲ 419671 Shaft Seal  
(MVE19X Models only)  
Face Spring toward Bearing.  
Press until Seal bottoms  
against the shoulder.



◆ Install with chamfer toward shaft shoulder.



# Model Code



<p><b>1</b> Model Series</p> <p>MVE - Motor, variable displacement, inline piston unit</p>	<p><b>4</b> Input Shaft</p> <p>2 - SAE B-B splined</p>	<p><b>6</b> Min. Displacement Angle (Variable units only)</p> <p>7 - 7°   13 - 13°   11 - 11°   0 - 0° 9 - 9°   15 - 15°</p>
<p><b>2</b> Flow Rating @ 1800 rpm</p> <p>19 -19 USgpm</p>	<p><b>5</b> Lever Control Options (Viewed from shaft end with D1 drain port up)</p> <p>A - Right hand B - Left hand</p>	<p><b>7</b> Design</p>
<p><b>3</b> Thru Shaft</p> <p>25T -32/64P (Flat root side fit, omit for standard single ended shaft)</p>		

For satisfactory service life of these components in industrial applications, use full flow filtration to provide fluid which meets ISO cleanliness code 20/18/15 or cleaner. Selections from Danfoss OF P, OFR, and OFRS series are recommended.

**Products we offer:**

- Cartridge valves
- DCV directional control valves
- Electric converters
- Electric machines
- Electric motors
- Gear motors
- Gear pumps
- Hydraulic integrated circuits (HICs)
- Hydrostatic motors
- Hydrostatic pumps
- Orbital motors
- PLUS+1® controllers
- PLUS+1® displays
- PLUS+1® joysticks and pedals
- PLUS+1® operator interfaces
- PLUS+1® sensors
- PLUS+1® software
- PLUS+1® software services, support and training
- Position controls and sensors
- PVG proportional valves
- Steering components and systems
- Telematics

**Hydro-Gear**

[www.hydro-gear.com](http://www.hydro-gear.com)

**Daikin-Sauer-Danfoss**

[www.daikin-sauer-danfoss.com](http://www.daikin-sauer-danfoss.com)

**Danfoss Power Solutions** is a global manufacturer and supplier of high-quality hydraulic and electric components. We specialize in providing state-of-the-art technology and solutions that excel in the harsh operating conditions of the mobile off-highway market as well as the marine sector. Building on our extensive applications expertise, we work closely with you to ensure exceptional performance for a broad range of applications. We help you and other customers around the world speed up system development, reduce costs and bring vehicles and vessels to market faster.

Danfoss Power Solutions – your strongest partner in mobile hydraulics and mobile electrification.

**Go to [www.danfoss.com](http://www.danfoss.com) for further product information.**

We offer you expert worldwide support for ensuring the best possible solutions for outstanding performance. And with an extensive network of Global Service Partners, we also provide you with comprehensive global service for all of our components.

Local address:

**Danfoss  
Power Solutions (US) Company**  
2800 East 13th Street  
Ames, IA 50010, USA  
Phone: +1 515 239 6000

**Danfoss  
Power Solutions GmbH & Co. OHG**  
Krokamp 35  
D-24539 Neumünster, Germany  
Phone: +49 4321 871 0

**Danfoss  
Power Solutions ApS**  
Nordborgvej 81  
DK-6430 Nordborg, Denmark  
Phone: +45 7488 2222

**Danfoss  
Power Solutions Trading  
(Shanghai) Co., Ltd.**  
Building #22, No. 1000 Jin Hai Rd  
Jin Qiao, Pudong New District  
Shanghai, China 201206  
Phone: +86 21 2080 6201

Danfoss can accept no responsibility for possible errors in catalogues, brochures and other printed material. Danfoss reserves the right to alter its products without notice. This also applies to products already on order provided that such alterations can be made without subsequent changes being necessary in specifications already agreed. All trademarks in this material are property of the respective companies. Danfoss and the Danfoss logotype are trademarks of Danfoss A/S. All rights reserved.