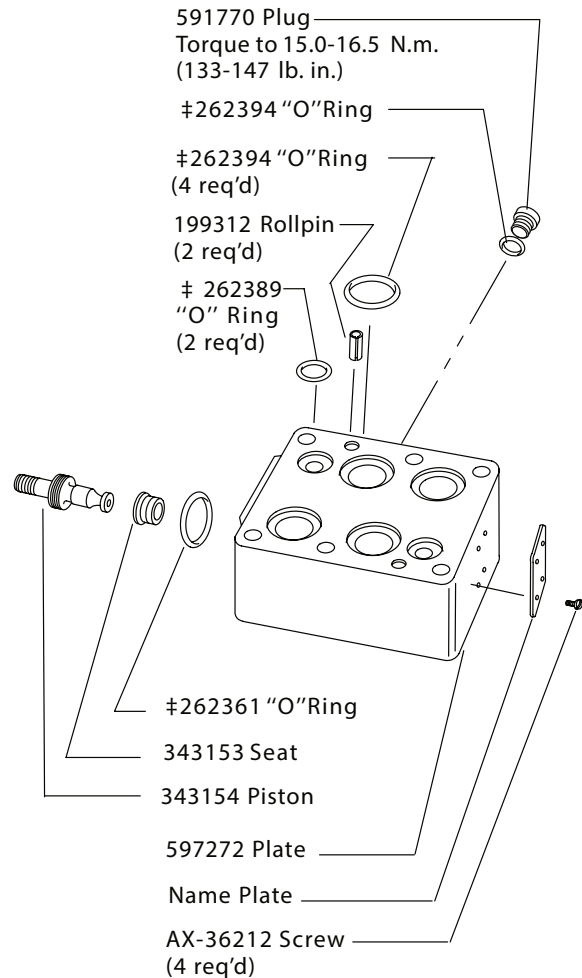
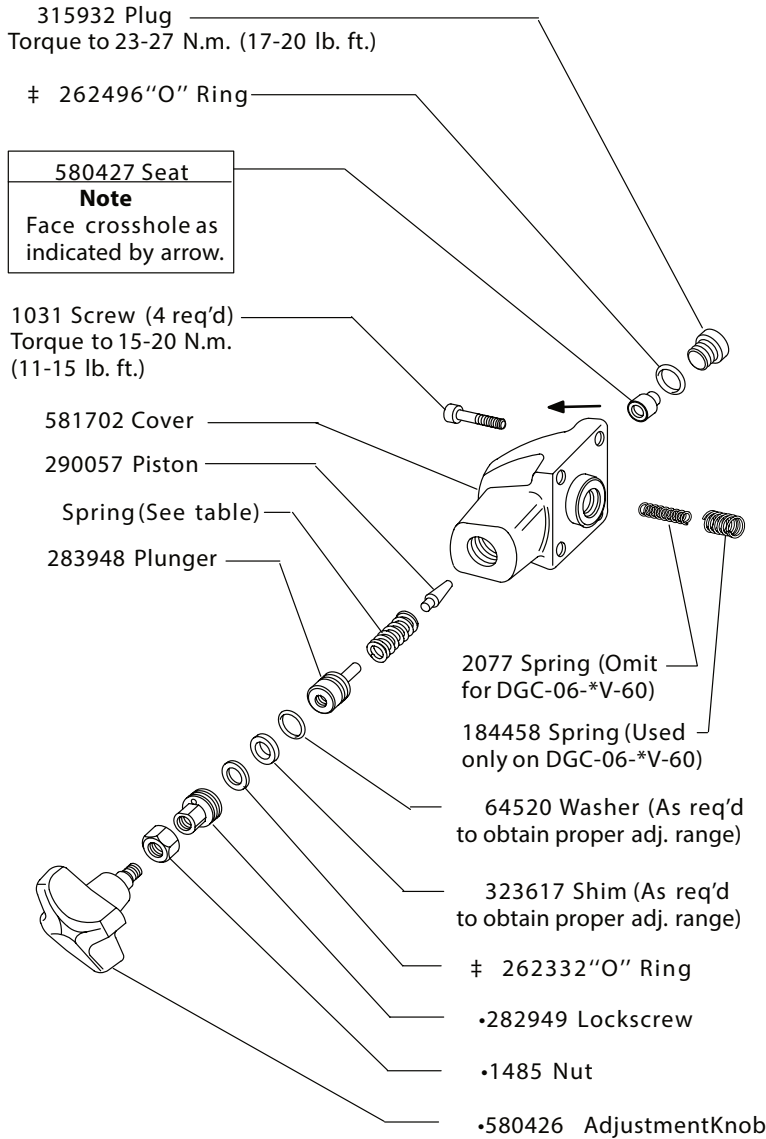


# Relief Valves

## Modular Relief Valves

### (F3) DGC-06-\*(\*)-60



•Coat with oil prior to assembly.

‡Service all units w/F3 Seal Kit 919655

**CAUTION**  
This model cannot be used with pressure centered (D) valves.

Model	Included in Cover S/A	Spring
DGC-06-B*-60	941280	2280
DGC-06-C*-60	941281	583937
DGC-06-F*-60	941282	2281

## Model Code

---

(F3) DGC - 06 - \* (\*) - 60

└──┬──┘ └──┬──┘ └──┬──┘ └──┬──┘ └──┬──┘ └──┬──┘

1 2 3 4 5 6

---

**1 Seals**

**F3** - Seals for mineral oil and fire resistant fluids

---

**2 Model Series**

**DGC** - Directional control, subplate mounted relief module

**3 Size**

**06** - 3/4 inch

---

**4 Pressure Range**

**B** - 125-1000 psi  
**C** - 500-2000 psi  
**F** - 1500-3000 psi

**5 Vent**

**V** - High vent  
(Omit when not needed)

---

**6 Design**

---

For satisfactory service life of these components, use full flow filtration to provide fluid which meets ISO cleanliness code 18/15 or cleaner.

### Products we offer:

- Cartridge valves
- DCV directional control valves
- Electric converters
- Electric machines
- Electric motors
- Gear motors
- Gear pumps
- Hydraulic integrated circuits (HICs)
- Hydrostatic motors
- Hydrostatic pumps
- Orbital motors
- PLUS+1® controllers
- PLUS+1® displays
- PLUS+1® joysticks and pedals
- PLUS+1® operator interfaces
- PLUS+1® sensors
- PLUS+1® software
- PLUS+1® software services, support and training
- Position controls and sensors
- PVG proportional valves
- Steering components and systems
- Telematics

**Danfoss Power Solutions** is a global manufacturer and supplier of high-quality hydraulic and electric components. We specialize in providing state-of-the-art technology and solutions that excel in the harsh operating conditions of the mobile off-highway market as well as the marine sector. Building on our extensive applications expertise, we work closely with you to ensure exceptional performance for a broad range of applications. We help you and other customers around the world speed up system development, reduce costs and bring vehicles and vessels to market faster.

Danfoss Power Solutions – your strongest partner in mobile hydraulics and mobile electrification.

### Go to [www.danfoss.com](http://www.danfoss.com) for further product information.

We offer you expert worldwide support for ensuring the best possible solutions for outstanding performance. And with an extensive network of Global Service Partners, we also provide you with comprehensive global service for all of our components.

Local address:

### Hydro-Gear

[www.hydro-gear.com](http://www.hydro-gear.com)

### Daikin-Sauer-Danfoss

[www.daikin-sauer-danfoss.com](http://www.daikin-sauer-danfoss.com)

**Danfoss Power Solutions (US) Company**  
2800 East 13th Street  
Ames, IA 50010, USA  
Phone: +1 515 239 6000

**Danfoss Power Solutions GmbH & Co. OHG**  
Krokamp 35  
D-24539 Neumünster, Germany  
Phone: +49 4321 871 0

**Danfoss Power Solutions ApS**  
Nordborgvej 81  
DK-6430 Nordborg, Denmark  
Phone: +45 7488 2222

**Danfoss Power Solutions Trading (Shanghai) Co., Ltd.**  
Building #22, No. 1000 Jin Hai Rd  
Jin Qiao, Pudong New District  
Shanghai, China 201206  
Phone: +86 21 2080 6201