

Service Data

Vickers®

Vane Pumps



Vane Type Double Pump

3520V**(*)-***20(*)-28*

☐ **Note**

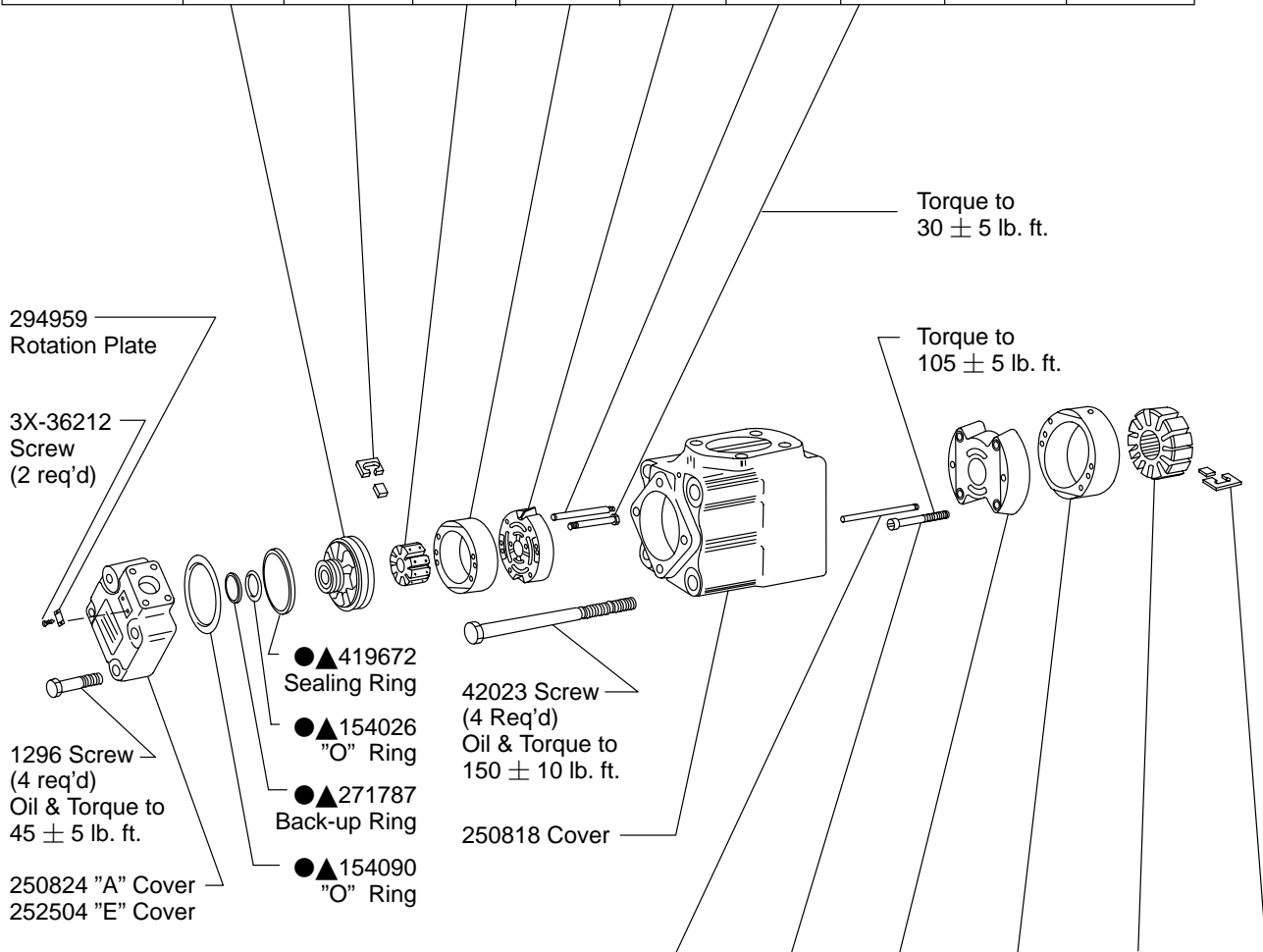
Seals must be completely wetted at time of assembly with an SAE 10W motor oil of "SE" quality or an industrial hydraulic oil equivalent. Assemble seal with lip toward the bearing.



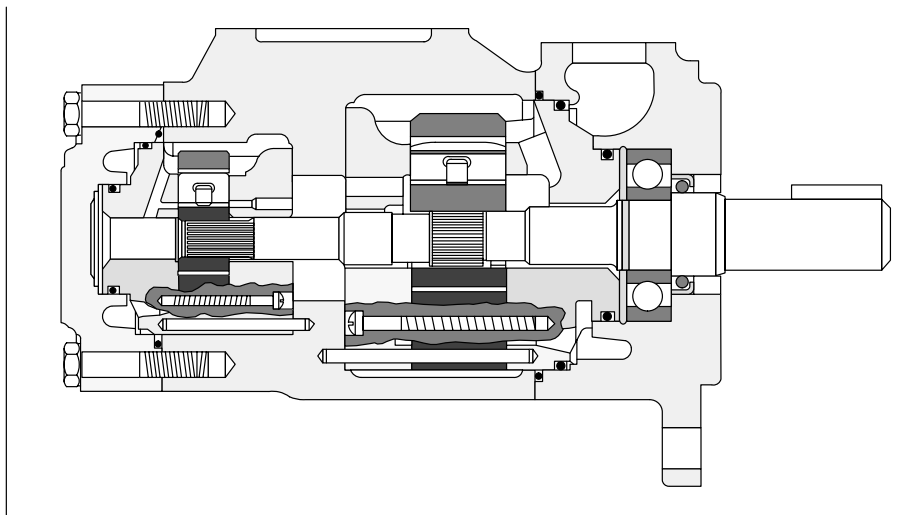
CAUTION

Individual cartridge parts are not interchangeable with similiar parts of the previous design. Complete cartridges are interchangeable with the previous design.

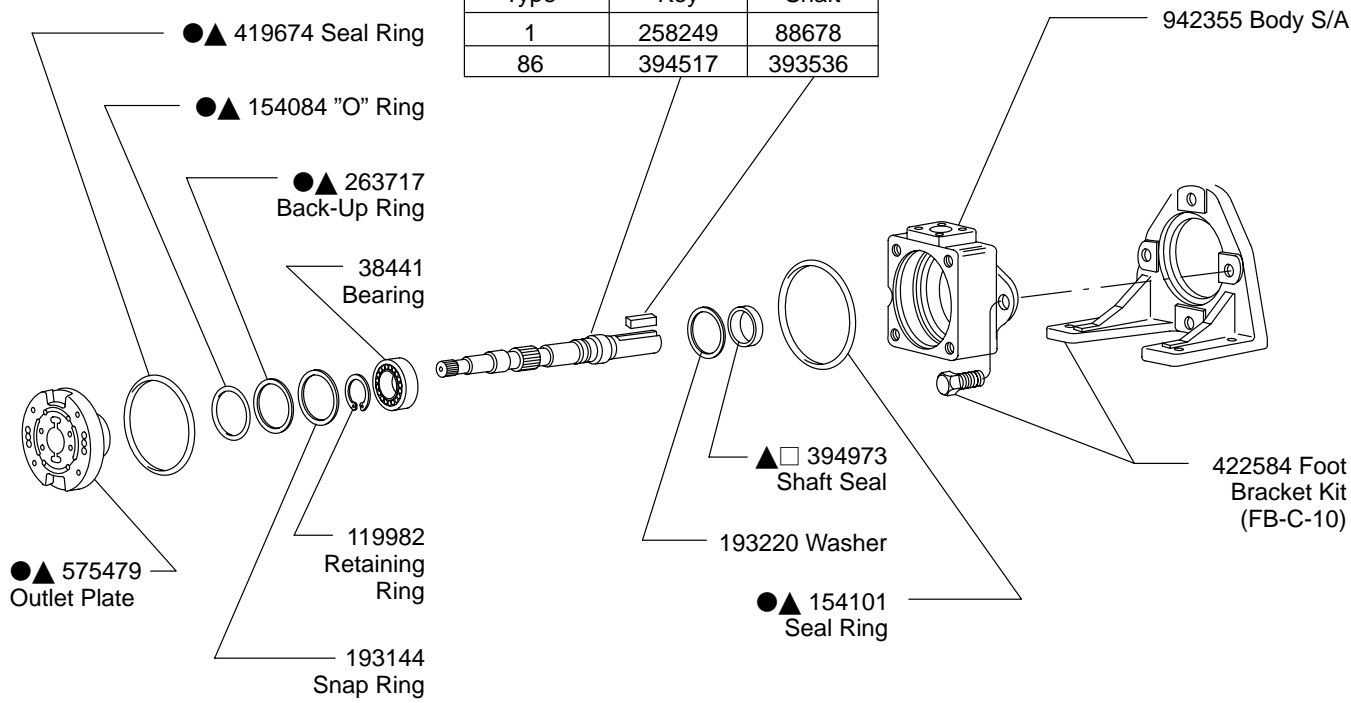
Capacity Cover End Pump (USgpm)	Outlet Support Plate	Vane Kit (10 Vanes & Inserts)	Rotor	Ring	Inlet Support Plate	Pin (2 req'd)	Screw (2 req'd)	Std. Cartridge Kit	F3 Cartridge Kit
These parts are included in cartridge kit									
3520V****2	584382	922741	402690	388683	584383	158465	289473	585478	588573
3520V****5				333624				585471	588574
3520V****8				333625				585473	588575
3520V****11		922743	403539	333626	585475			588576	
3520V****12				353901	585476			588577	
3520V****14				353902	585477			588578	



Cartridge Kit	F3 Cartridge Kit	Capacity Shaft End Pump (USgpm)	Pin (2 req'd)	Screw (2 req'd)	Inlet Support Plate S/A	Ring	Rotor	Vane Kit (12 Vanes & 12 Inserts)
These parts are included in cartridge kit								
578311	584306	3520V25	280031	289475	576265 (Includes Bushing)	576210	575478	941019
578312	584307	3520V30				576212		
578313	584308	3520V35				576214		
578314	584309	3520V38				575476		



Type	Key	Shaft
1	258249	88678
86	394517	393536



See Parts Drawing I-3963-S for Port Flange data

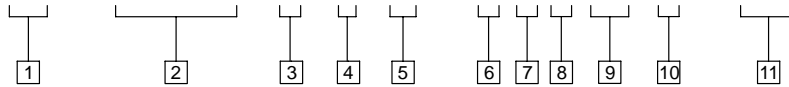
Service all units with F3 Seal Kit 919304

▲ Included in 922859 Seal Kit

● Also included in Cartridge Kit

Model Code

(F3) - 3520V * * (*) - * * * 20 (*) - 28*



1 Seal Material

F3 - Viton® seals for mineral oil and fire resistant fluids

Viton is a registered trademark of E.I. DuPont

2 Model Series

3520V - Vane Pump

3 Capacity

(Shaft end pump)
(Rating at 1200 RPM - 100 PSI)
(See inside for capacities)

4 Port Connections

A - SAE 4 bolt flange
E - SAE Std. thread at #2 outlet port

5 Capacity

(Cover end pump)
(Rating at 1200 RPM - 100 PSI)
(See inside for capacities)

6 Shaft Type

1 - Straight with square key (standard)
86 - Straight with square key (heavy duty)

7 #1 Outlet Port Position

8 #2 Outlet Port Position

9 Design

10 Rotation

(Viewed from shaft end)

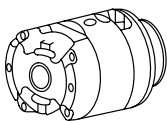
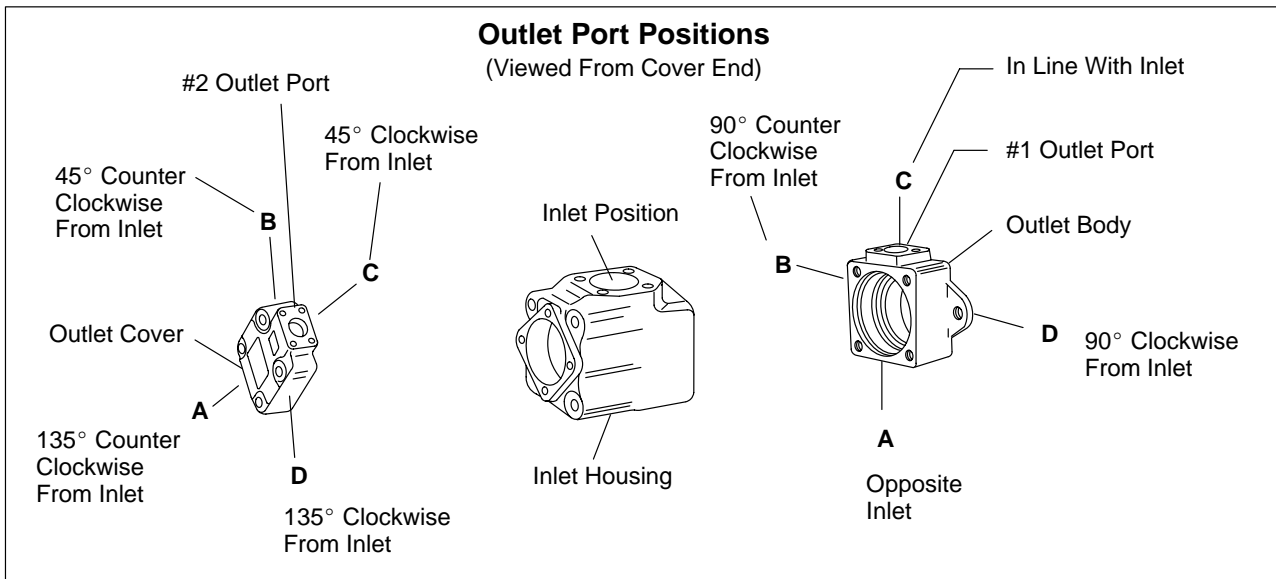
L - Left hand (CCW rotation)

Omitted - Right hand rotation

11 Mounting

282 - SAE 2-bolt mounting

283 - Foot mounting



PARTS ORDERING

Parts are the same for both right and left hand rotation. When ordering spare cartridge parts, it is recommended they be obtained in cartridge kits. Kits are assembled and tested for either right or left hand rotation. If left hand rotation is required, it should be specified on parts order by adding suffix "L" to Kit Number. For example, 578311-L.

For satisfactory service life of these components in industrial applications, use full flow filtration to provide fluid which meets ISO cleanliness code 20/18/15 or cleaner. Selections from Eaton OFP, OFR, and OFRS series are recommended.