

VACON[®] 100 INDUSTRIAL
VACON[®] 100 FLOW
AC DRIVES

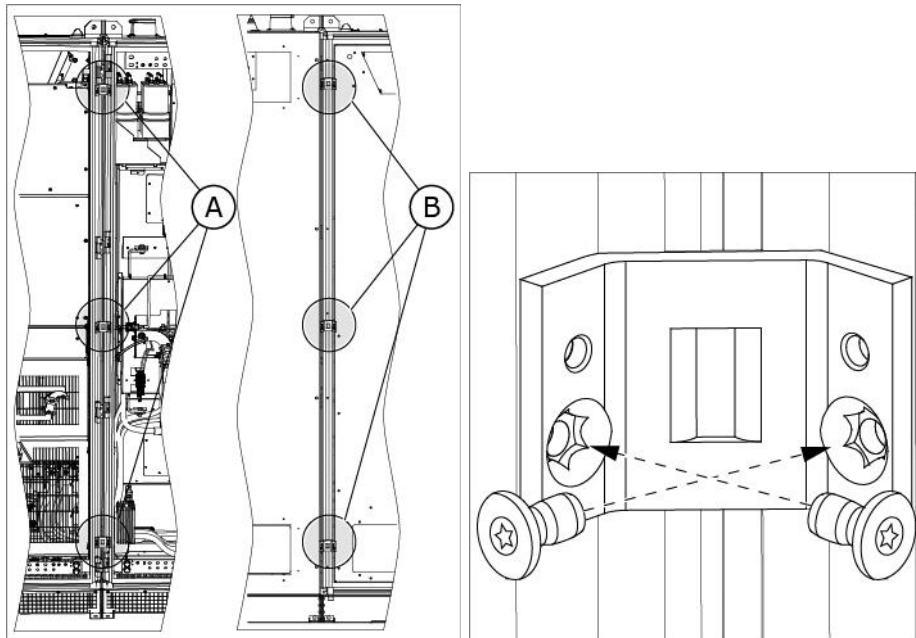
ADDITIONAL LEAFLET TO
INSTALLATION MANUAL
ENCLOSED DRIVES MR12

INSTALLATION INSTRUCTIONS WITH OPTIONS SINE FILTER (+COSI) OR INPUT CONTACTOR (+CIC0)

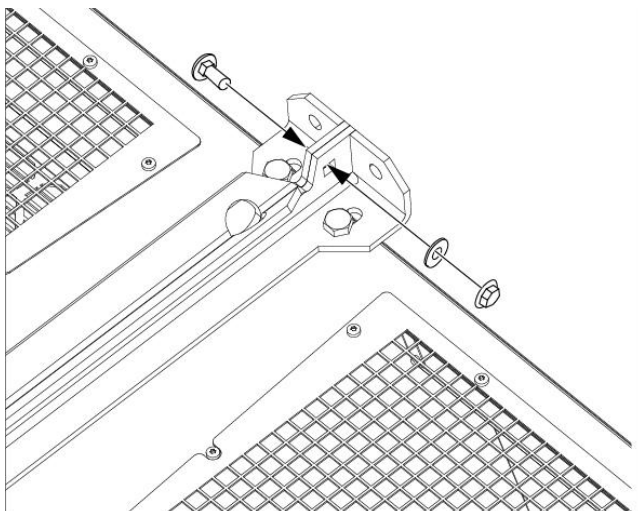
Mechanical combining of cabinets

All necessary screws and bolts are provided in the delivery.

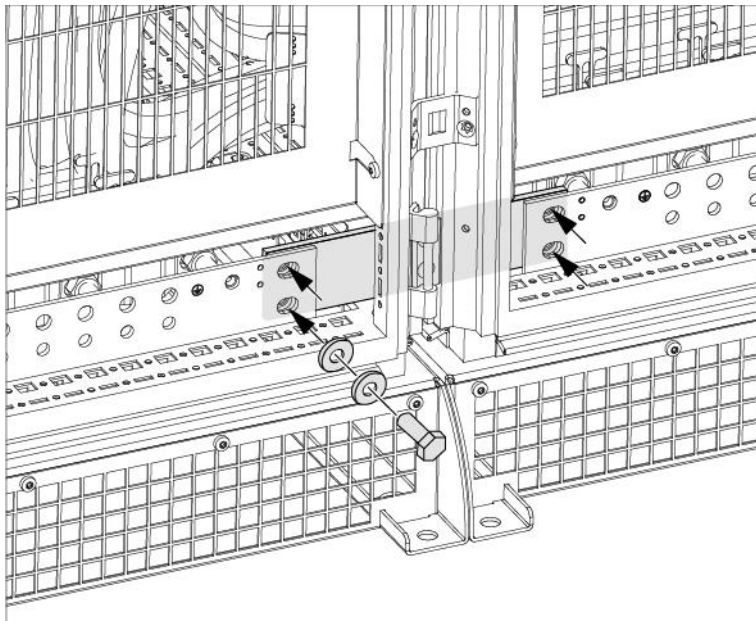
1. Place the cabinets side by side.
2. Make sure that they are in the right order.
3. Attach the cabinets into each other with 6 pieces, 3 on the front (A) and 3 on the back (B).
 - a. The pieces are already attached into the AC drive cabinet. Attach the pieces also to the sine filter cabinet with screws.



4. Attach the lifting holes of the cabinets into each other with screws.



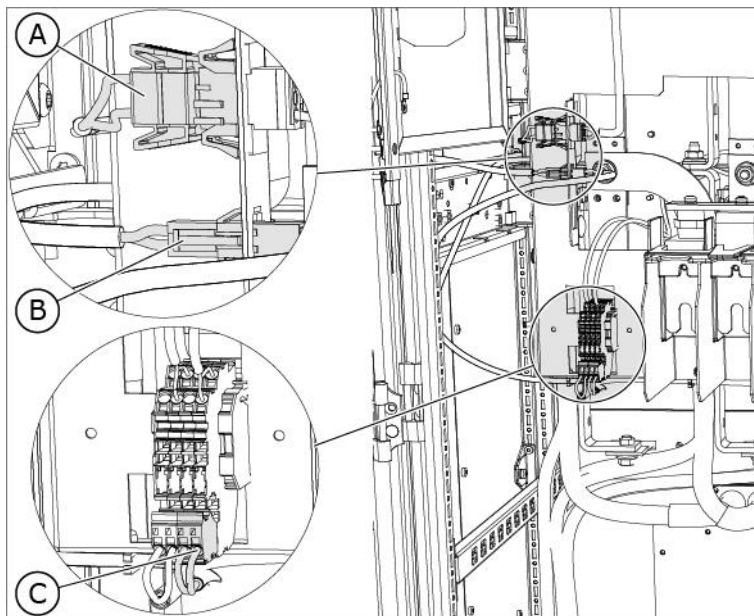
5. Join the PE bars of the cabinets with a piece and attach it with screws.



Electrical combining of cabinets

Connecting control cables

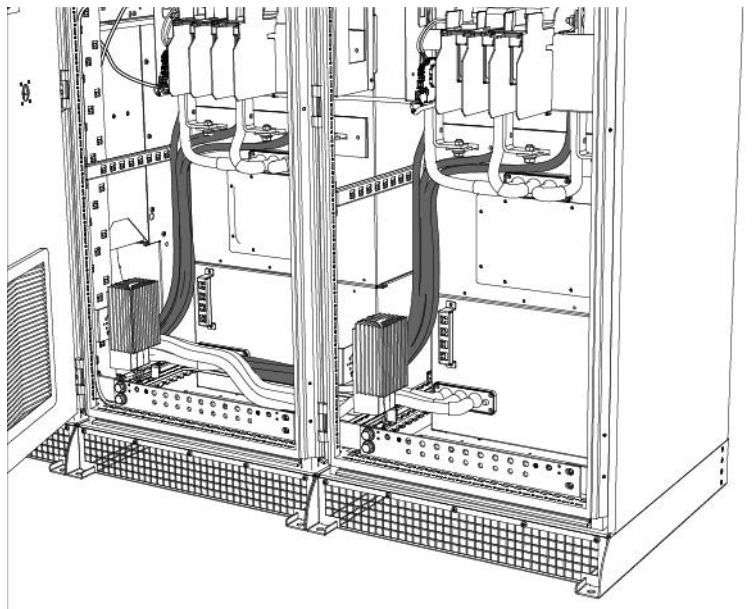
1. Connect the fan power supply (A).
2. If you have the cabinet heater (+CACH), connect the cabinet heater supply (B).
3. Connect the overheat protection (C).



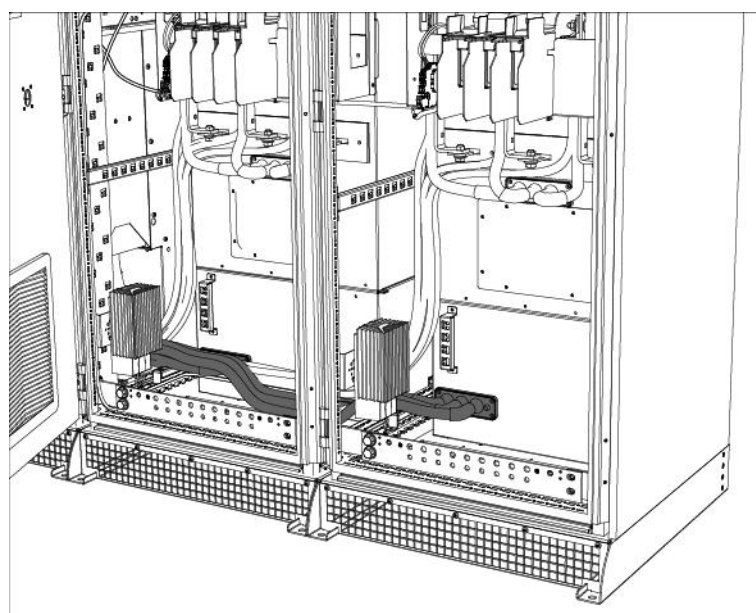
Cabling

The cables are inside the sine filter cabinets. The cables are marked with “U PU1”, “V PU1”, “W PU1” and “U PU2”, “V PU2”, “W PU2”.

1. If you do not have the common mode filter (+POCM), connect the cables as shown in the picture below.



2. If you have the common mode filter (+POCM), connect the cables as shown in the picture below.



VACON[®]

www.danfoss.com

Vacon Ltd
Member of the Danfoss Group
Runsorintie 7
65380 Vaasa
Finland

Document ID:



DPD02069A

Rev. A

Sales code: DOC-INSMR12ED+DLUK