

# Solenoid Valves

## SV14-10-C

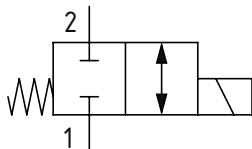
Solenoid Valve, 2-way, Spool Type, Normally Closed

350 bar [5000 psi] • 23 l/min [6 US gpm]

### OPERATION AND DESCRIPTION

This is a 2-way, 2-position, spool type, normally closed solenoid valve. In its de-energized condition flow is blocked in both directions. When energized, flow can take place from port 2 to 1 and from 1 to 2. The valve will be subject to normal spool leakage dependent on the pressure difference between the ports. These valves can be used to interrupt a pressure line where flow is expected to pass in both directions in the de-energized condition.

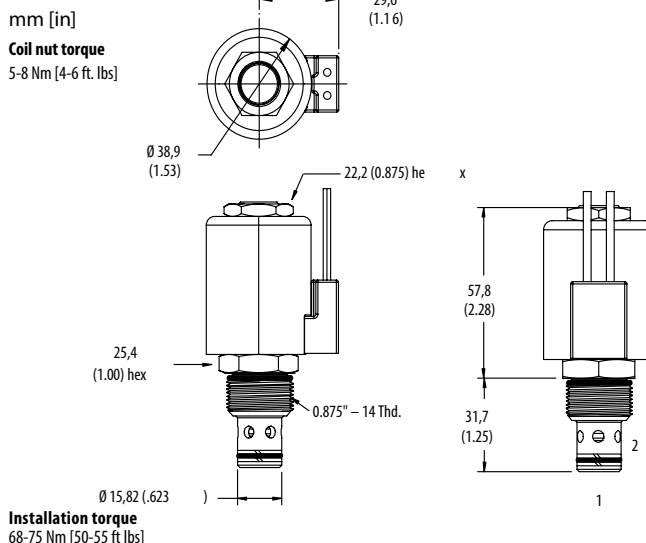
### SCHEMATIC



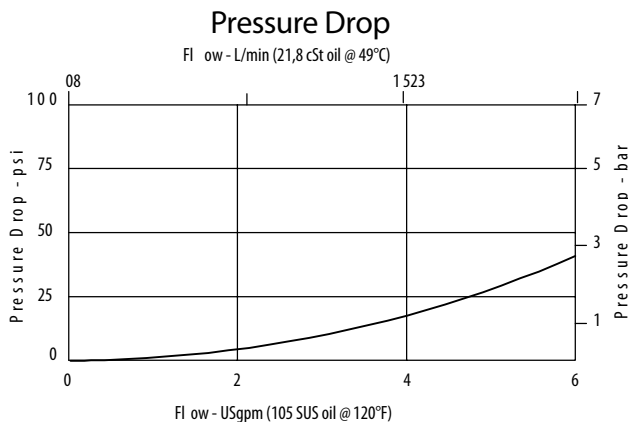
### PERFORMANCE DATA

|                        |  |
|------------------------|--|
| <b>Rated Pressure</b>  | <b>350 bar [5000 psi]</b>                                      |
| <b>Flow Capability</b> | <b>23 l/min [6 US gpm]</b>                                     |
| <b>Leakage</b>         | 140 ml/min (8.5 in <sup>3</sup> /min) max @ 350 bar [5000 psi] |
| <b>Coil Options</b>    | H series   |
| <b>Weight</b>          | 0.18 kg [0.39 lb]  |
| <b>Cavity</b>          | SDC10-2  |

### DIMENSIONS



### PERFORMANCE CURVES



### MODEL CODE

**SV14 - 10 - V - C - M - S - 2G - 12D - G - H**

| <p><b>Seal Option</b></p> <table border="1"> <tr> <th>Code</th> <th>Seal kit</th> </tr> <tr> <td>Omit - Buna - N</td> <td>565806</td> </tr> <tr> <td>V - Viton</td> <td>889627</td> </tr> </table> <p><b>Manual Override Option</b></p> <p>Omit - No manual override<br/>M - Pull and Twist</p> <p><b>Housing</b></p> <table border="1"> <thead> <tr> <th>Code</th> <th>Ports</th> <th>Steel</th> </tr> </thead> <tbody> <tr> <td>0</td> <td>No Housing</td> <td></td> </tr> <tr> <td>2G</td> <td>1/4" BSP</td> <td>02-175102</td> </tr> <tr> <td>3G</td> <td>3/8" BSP</td> <td>02-175103</td> </tr> <tr> <td>6T</td> <td>#6 SAE</td> <td>02-175100</td> </tr> <tr> <td>8T</td> <td>#8 SAE</td> <td>02-175101</td> </tr> </tbody> </table> <p>* Aluminum bodies are to be used for pressures less than 210 bar [3000 psi].<br/>* Additional housings available</p> | Code                                   | Seal kit  | Omit - Buna - N | 565806 | V - Viton | 889627 | Code | Ports | Steel | 0 | No Housing |  | 2G | 1/4" BSP | 02-175102 | 3G | 3/8" BSP | 02-175103 | 6T | #6 SAE | 02-175100 | 8T | #8 SAE | 02-175101 | <p><b>Housing Material</b></p> <p>Omit - No Housing<br/>S - Steel</p> <p><b>Coil Series</b></p> <p>Omit - No coil<br/>H - 10 series, 29 W</p> <p><b>Coil Voltage</b></p> <table border="1"> <thead> <tr> <th>Code</th> <th>Coil Voltage</th> </tr> </thead> <tbody> <tr> <td>00</td> <td>No Coil, nut included, (p/n 02-175698)</td> </tr> <tr> <td>12D</td> <td>12 VDC</td> </tr> <tr> <td>24D</td> <td>24 VDC</td> </tr> <tr> <td>115A</td> <td>115 VAC**</td> </tr> <tr> <td>230A</td> <td>230 VAC**</td> </tr> <tr> <td>12B</td> <td>2VDC/w diode*</td> </tr> <tr> <td>24B</td> <td>24 VDC/w diode*</td> </tr> </tbody> </table> <p>*Optional arc suppression diode<br/>**Internally rectified<br/>***Other voltage options available</p> <p><b>Connector Type</b></p> <p>Omit - No coil<br/>G - ISO 4400 DIN 43650<br/>Q - Spade terminals<br/>W - Flying lead<br/>N - Deutsch (DC only)<br/>Y - Amp JR (DC only)<br/>D - Metripack 150 male (DC only)<br/>J - Metripack 280 male (DC only)</p> | Code | Coil Voltage | 00 | No Coil, nut included, (p/n 02-175698) | 12D | 12 VDC | 24D | 24 VDC | 115A | 115 VAC** | 230A | 230 VAC** | 12B | 2VDC/w diode* | 24B | 24 VDC/w diode* |
|--|--|-----------|-----------------|--------|-----------|--------|------|-------|-------|---|------------|--|----|----------|-----------|----|----------|-----------|----|--------|-----------|----|--------|-----------|--|------|--------------|----|--|-----|--------|-----|--------|------|-----------|------|-----------|-----|---------------|-----|-----------------|
| Code   | Seal kit                               |           |                 |        |           |        |      |       |       |   |            |  |    |          |           |    |          |           |    |        |           |    |        |           |  |      |              |    |  |     |        |     |        |      |           |      |           |     |               |     |                 |
| Omit - Buna - N  | 565806                                 |           |                 |        |           |        |      |       |       |   |            |  |    |          |           |    |          |           |    |        |           |    |        |           |  |      |              |    |  |     |        |     |        |      |           |      |           |     |               |     |                 |
| V - Viton  | 889627                                 |           |                 |        |           |        |      |       |       |   |            |  |    |          |           |    |          |           |    |        |           |    |        |           |  |      |              |    |  |     |        |     |        |      |           |      |           |     |               |     |                 |
| Code   | Ports                                  | Steel     |                 |        |           |        |      |       |       |   |            |  |    |          |           |    |          |           |    |        |           |    |        |           |  |      |              |    |  |     |        |     |        |      |           |      |           |     |               |     |                 |
| 0  | No Housing                             |           |                 |        |           |        |      |       |       |   |            |  |    |          |           |    |          |           |    |        |           |    |        |           |  |      |              |    |  |     |        |     |        |      |           |      |           |     |               |     |                 |
| 2G   | 1/4" BSP                               | 02-175102 |                 |        |           |        |      |       |       |   |            |  |    |          |           |    |          |           |    |        |           |    |        |           |  |      |              |    |  |     |        |     |        |      |           |      |           |     |               |     |                 |
| 3G   | 3/8" BSP                               | 02-175103 |                 |        |           |        |      |       |       |   |            |  |    |          |           |    |          |           |    |        |           |    |        |           |  |      |              |    |  |     |        |     |        |      |           |      |           |     |               |     |                 |
| 6T   | #6 SAE                                 | 02-175100 |                 |        |           |        |      |       |       |   |            |  |    |          |           |    |          |           |    |        |           |    |        |           |  |      |              |    |  |     |        |     |        |      |           |      |           |     |               |     |                 |
| 8T   | #8 SAE                                 | 02-175101 |                 |        |           |        |      |       |       |   |            |  |    |          |           |    |          |           |    |        |           |    |        |           |  |      |              |    |  |     |        |     |        |      |           |      |           |     |               |     |                 |
| Code   | Coil Voltage                           |           |                 |        |           |        |      |       |       |   |            |  |    |          |           |    |          |           |    |        |           |    |        |           |  |      |              |    |  |     |        |     |        |      |           |      |           |     |               |     |                 |
| 00   | No Coil, nut included, (p/n 02-175698) |           |                 |        |           |        |      |       |       |   |            |  |    |          |           |    |          |           |    |        |           |    |        |           |  |      |              |    |  |     |        |     |        |      |           |      |           |     |               |     |                 |
| 12D  | 12 VDC                                 |           |                 |        |           |        |      |       |       |   |            |  |    |          |           |    |          |           |    |        |           |    |        |           |  |      |              |    |  |     |        |     |        |      |           |      |           |     |               |     |                 |
| 24D  | 24 VDC                                 |           |                 |        |           |        |      |       |       |   |            |  |    |          |           |    |          |           |    |        |           |    |        |           |  |      |              |    |  |     |        |     |        |      |           |      |           |     |               |     |                 |
| 115A   | 115 VAC**                              |           |                 |        |           |        |      |       |       |   |            |  |    |          |           |    |          |           |    |        |           |    |        |           |  |      |              |    |  |     |        |     |        |      |           |      |           |     |               |     |                 |
| 230A   | 230 VAC**                              |           |                 |        |           |        |      |       |       |   |            |  |    |          |           |    |          |           |    |        |           |    |        |           |  |      |              |    |  |     |        |     |        |      |           |      |           |     |               |     |                 |
| 12B  | 2VDC/w diode*                          |           |                 |        |           |        |      |       |       |   |            |  |    |          |           |    |          |           |    |        |           |    |        |           |  |      |              |    |  |     |        |     |        |      |           |      |           |     |               |     |                 |
| 24B  | 24 VDC/w diode*                        |           |                 |        |           |        |      |       |       |   |            |  |    |          |           |    |          |           |    |        |           |    |        |           |  |      |              |    |  |     |        |     |        |      |           |      |           |     |               |     |                 |