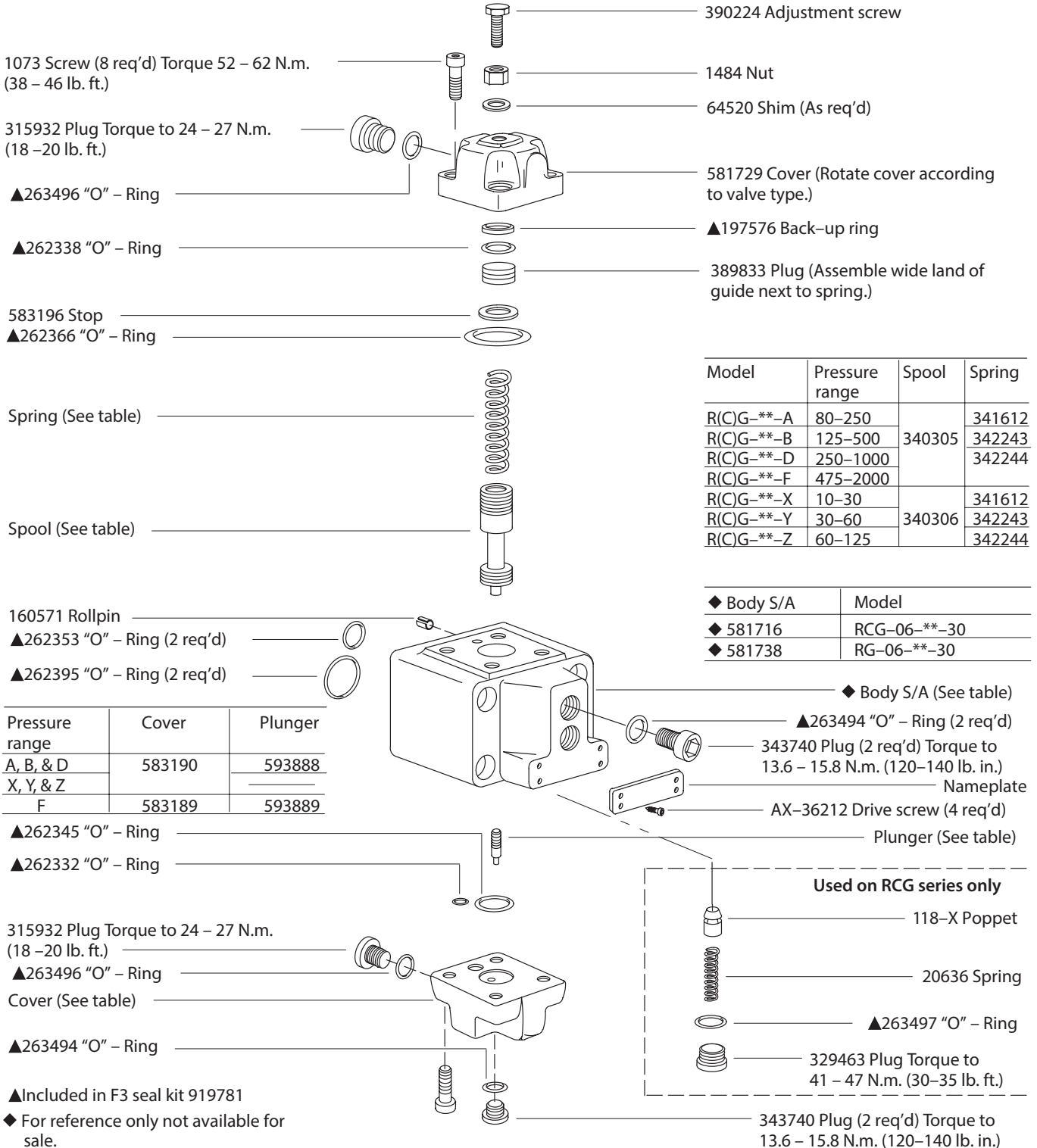


Pressure Control Valves

ENGINEERING
TOMORROW

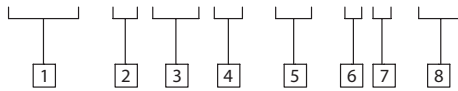


R(C)G-06-**-30 Series



Model Code

(F3) - R (C) G - 06 - * * - 30



1 Special seals (Omit on STD. models.)
2 Pressure actuated control valve
3 Check valve option C – With integral check valve (Reverse free flow) Omitted – Without check valve
4 Mounting Manifold or Subplate

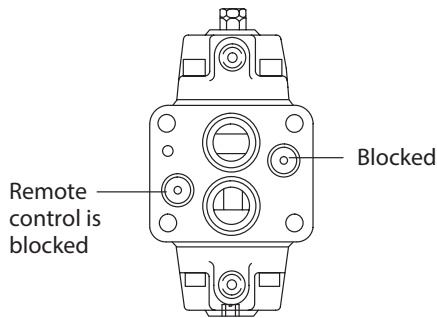
5 Nominal valve size 06 – 3/4"
6 Pressure range A – 80 – 250 PSI max. B – 125 – 500 PSI max. D – 250 – 1000 PSI max. F – 475 – 2000 PSI max. X – 10 – 30 PSI max. Y – 30 – 60 PSI max. Z – 60 – 125 PSI max.

7 Valve types (Inset views at bottom of page show cover positions for the (4) valve types.)
8 Design

Typical model number
RCG -06-D4-30

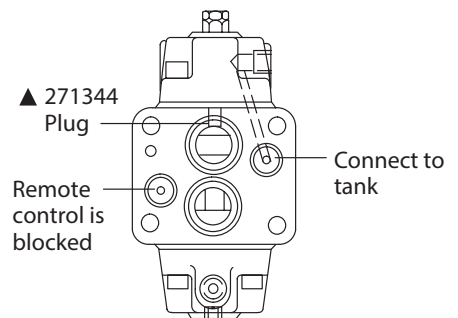
Note
Assemble covers as shown to
obtain valve action desired.

Type 1
RG series – Back pressure valve.
RCG series – Counterbalance valve.
Directly controlled internal drain

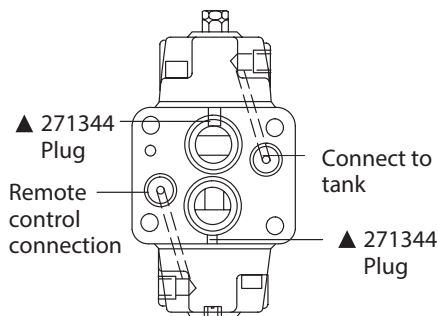


Note
Assemble covers as shown to
obtain valve action desired.

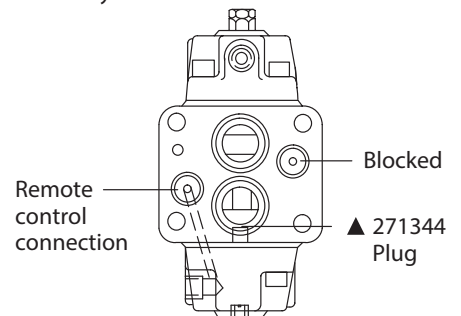
Type 2
RG or RCG series – Sequence valves.
Directly controlled external drain



Type 3
RG or RCG series – Sequence valves.
Remotely controlled external drain



Type 4
RG series – Unloading valve.
RCG series – Counterbalance valve.
Remotely controlled internal drain



Products we offer:

- Cartridge valves
- DCV directional control valves
- Electric converters
- Electric machines
- Electric motors
- Gear motors
- Gear pumps
- Hydraulic integrated circuits (HICs)
- Hydrostatic motors
- Hydrostatic pumps
- Orbital motors
- PLUS+1® controllers
- PLUS+1® displays
- PLUS+1® joysticks and pedals
- PLUS+1® operator interfaces
- PLUS+1® sensors
- PLUS+1® software
- PLUS+1® software services, support and training
- Position controls and sensors
- PVG proportional valves
- Steering components and systems
- Telematics

Danfoss Power Solutions is a global manufacturer and supplier of high-quality hydraulic and electric components. We specialize in providing state-of-the-art technology and solutions that excel in the harsh operating conditions of the mobile off-highway market as well as the marine sector. Building on our extensive applications expertise, we work closely with you to ensure exceptional performance for a broad range of applications. We help you and other customers around the world speed up system development, reduce costs and bring vehicles and vessels to market faster.

Danfoss Power Solutions – your strongest partner in mobile hydraulics and mobile electrification.

Go to www.danfoss.com for further product information.

We offer you expert worldwide support for ensuring the best possible solutions for outstanding performance. And with an extensive network of Global Service Partners, we also provide you with comprehensive global service for all of our components.

Local address:

Hydro-Gear

www.hydro-gear.com

Daikin-Sauer-Danfoss

www.daikin-sauer-danfoss.com

**Danfoss
Power Solutions (US) Company**
2800 East 13th Street
Ames, IA 50010, USA
Phone: +1 515 239 6000

**Danfoss
Power Solutions GmbH & Co. OHG**
Krokamp 35
D-24539 Neumünster, Germany
Phone: +49 4321 871 0

**Danfoss
Power Solutions ApS**
Nordborgvej 81
DK-6430 Nordborg, Denmark
Phone: +45 7488 2222

**Danfoss
Power Solutions Trading
(Shanghai) Co., Ltd.**
Building #22, No. 1000 Jin Hai Rd
Jin Qiao, Pudong New District
Shanghai, China 201206
Phone: +86 21 2080 6201