

# Relief Valves

## RV3-16

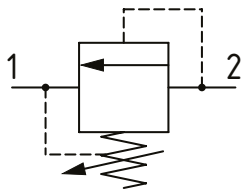
Relief Valve, Differential Area, Poppet Type

350 bar [5000 psi] • 300 l/min [80 US gpm]

### DESCRIPTION AND OPERATION

This is a fast acting, differential area, poppet type relief valve that relieves from port 2 to 1. It can be used to protect an actuator from over-pressurization or to remove pressure spikes.

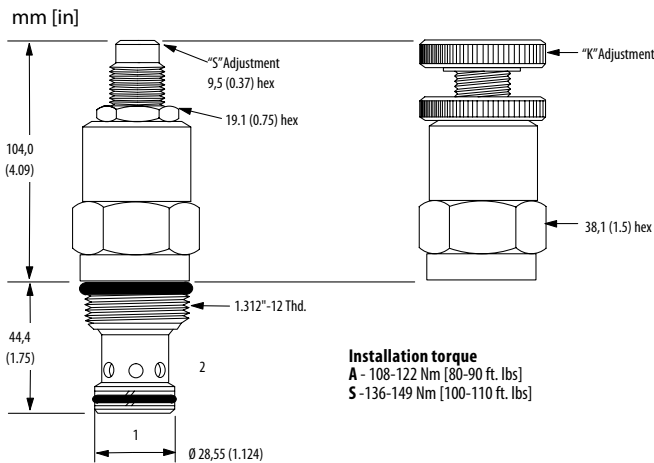
### SCHEMATIC



### PERFORMANCE DATA

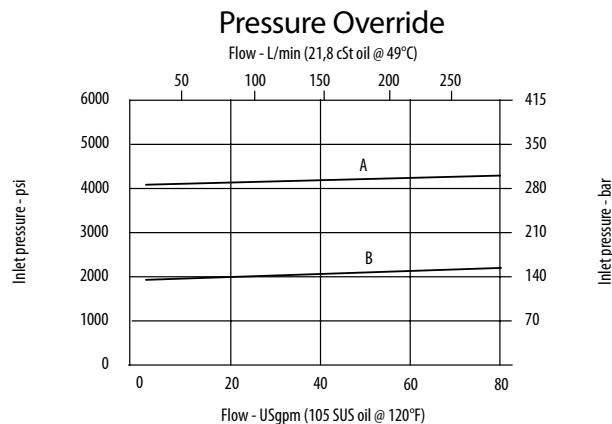
Rated pressure	350 bar [5000 psi]
Rated flow	300 l/min [80 US gpm]
Weight	0,71 kg [1.57 lbs]
Capacity	SDC16-2

### DIMENSIONS



**Installation torque**  
**A** - 108-122 Nm [80-90 ft. lbs]  
**S** - 136-149 Nm [100-110 ft. lbs]

### PERFORMANCE CURVES



**A** - 50 spring • **B** - 35 spring

### MODEL CODE

**RV3 - 16 - V - C - S - 6B - 5 - 10**

#### Seal Option

Code	Seal kit
Omit-Buna-N	565810
V-Viton	889609

#### Adjustment Option

**C** - Tamper Resistant  
**K** - Knob  
**S** - External

#### Housing Material

**Omit** - Aluminum/No housing  
**S** - Steel

#### Housing

Code	Ports	Aluminum Standard duty	Aluminum Heavy duty	Steel Heavy duty
0	No Housing			
6B	3/4" BSP	02-175463		
4G	1/2" BSP		876716	02-175106
6G	3/4" BSP		876718	02-175107
10H	#10 SAE		876717	
12H	#12 SAE		866113	
10T	#10 SAE		566113	02-175104
12T	#12 SAE	566149		02-175105

\* Aluminum bodies are to be used for pressures less than 210 bar [3000 psi].

\* Additional housings available

#### Pressure Setting

**Code** x10 - Pressure setting in psi (50 psi increments within specified Pressure Range)  
**XXX**-Standard setting (see Pressure Range for value)  
 Example:

Code	Bar	Psi
10	70	[1000]
10.5	72.4	[1050]

#### Pressure Range

Code	Bar	Psi
5	3,5-35	[50-500]
Standard Setting	15,5	[225]
13	35-90	[300-1300]
Standard Setting	34,5	[500]
35	83-240	[1200-3500]
Standard Setting	79	[1150]
50	140-350	[2000-5000]
Standard Setting	103	[1500]