



Damper Assembly



SERIES ARC300

ESBE
NO.1 IN HYDRONIC SYSTEM CONTROL

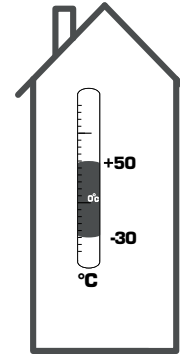
Mtrl.nr: 9814 09 55 • Ritn.nr 8466 vers. A • Rev 1512



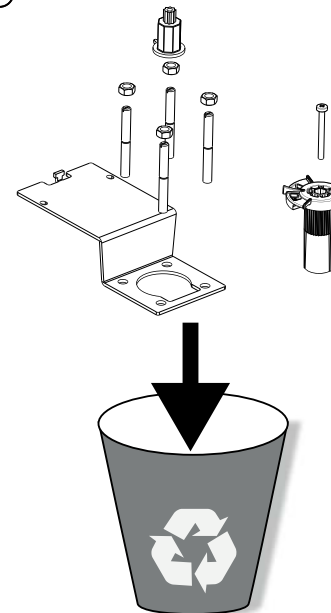
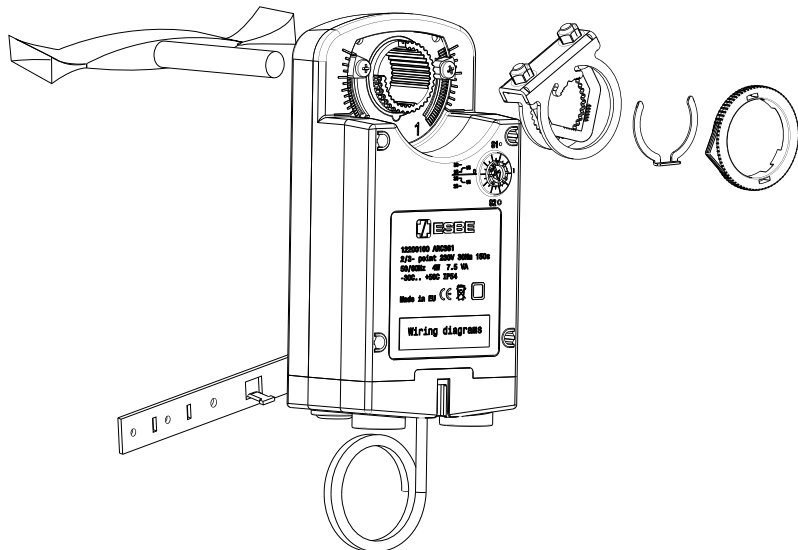
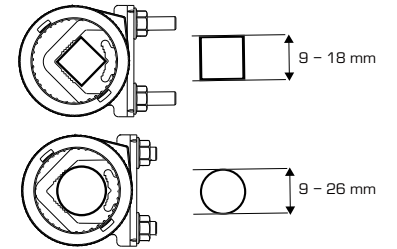
Series ARC300

CE

LVD 2006/95/EC valid until April 19th 2016
LVD 2014/35/EU valid from April 20th 2016
EMC 2004/108/EC valid until April 19th 2016
EMC 2014/30/EU valid from April 20th 2016
RoHS 2011/65/EU

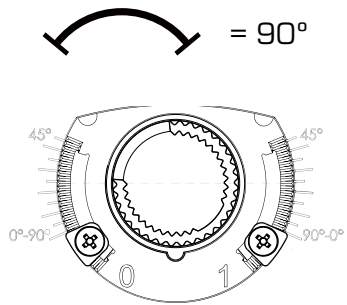


Series ARC300



Actuator Settings Damper Assembly

**D
1A**

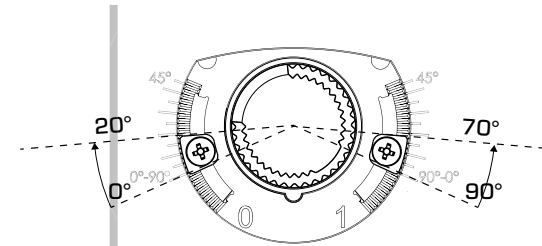
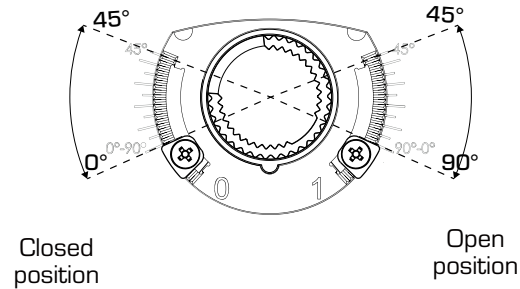


Max working range
0° - 90°

**D
1B**

Limiting working range • Clockwise working direction (R/CW)

Example R/CW working range 20°-70°



i

ARC368/
ARC369
Dip Switch 4

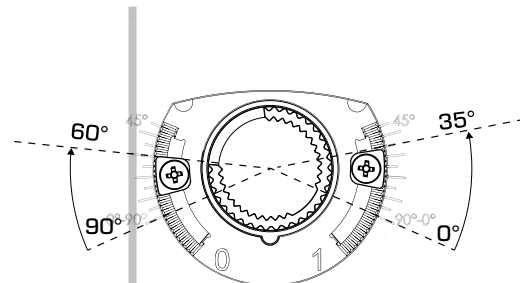
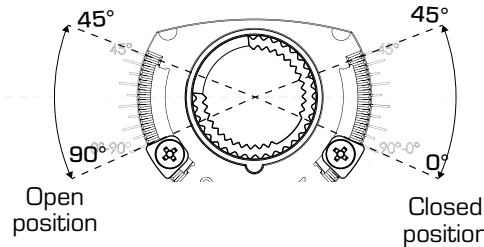


**D
1C**

Limiting working range • Counter clockwise working direction (L/CCW)

Min working range
45° - 45°

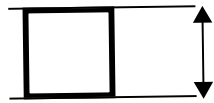
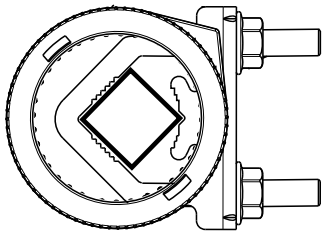
Exampel L/CCW working range 35°- 60°



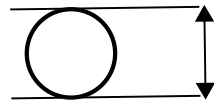
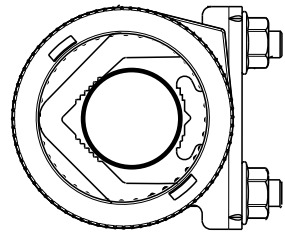
i

ARC368/
ARC369
Dip Switch 4

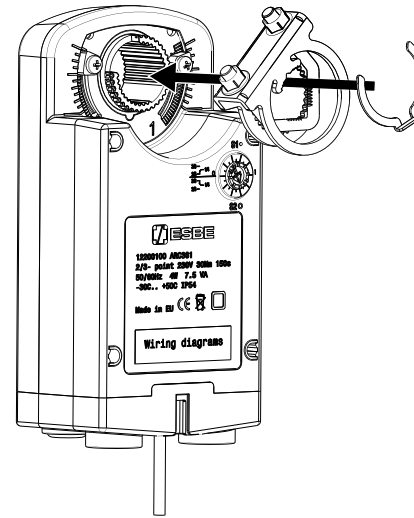


i

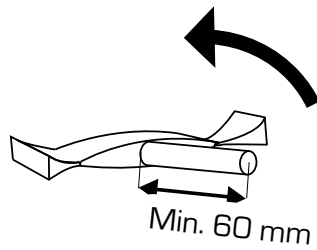
9 - 18 mm



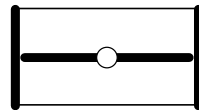
9 - 26 mm

i**D2****D3**

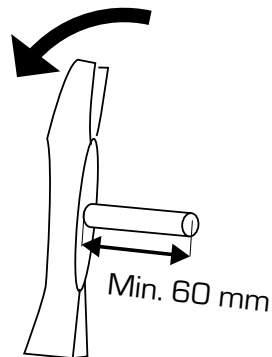
R/CW =
Closed (0%) position



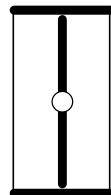
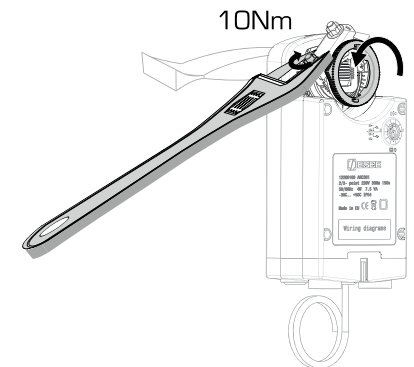
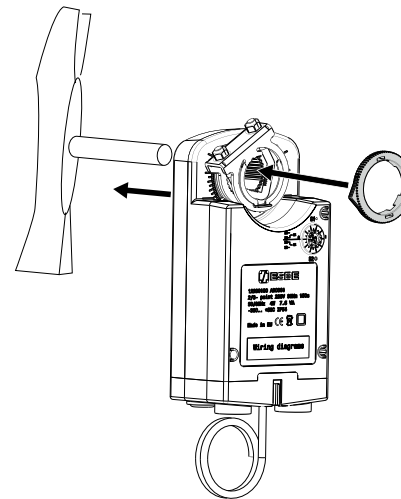
Min. 60 mm



L/CCW =
Open (100%) position

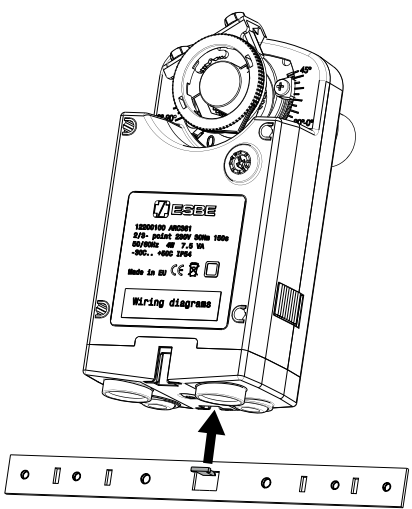


Min. 60 mm

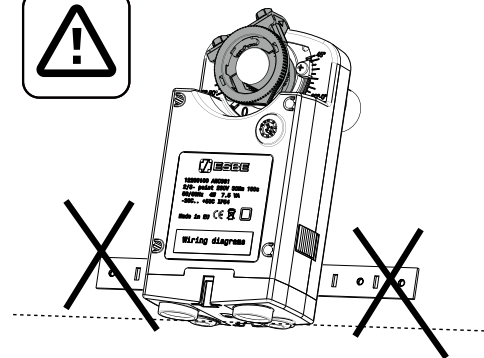
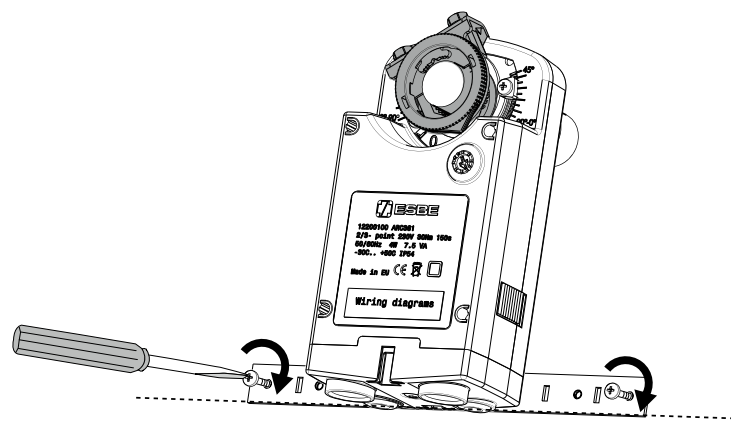
**D4**

10Nm

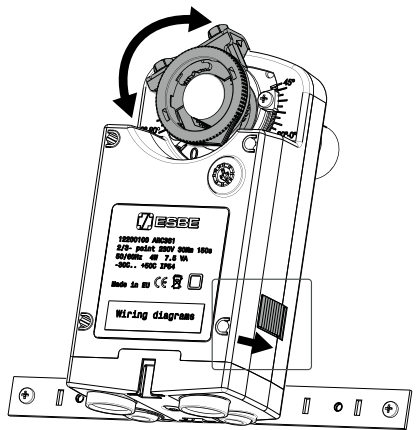
D5



D6



D7



D8



ARC300
Electrical
Settings

