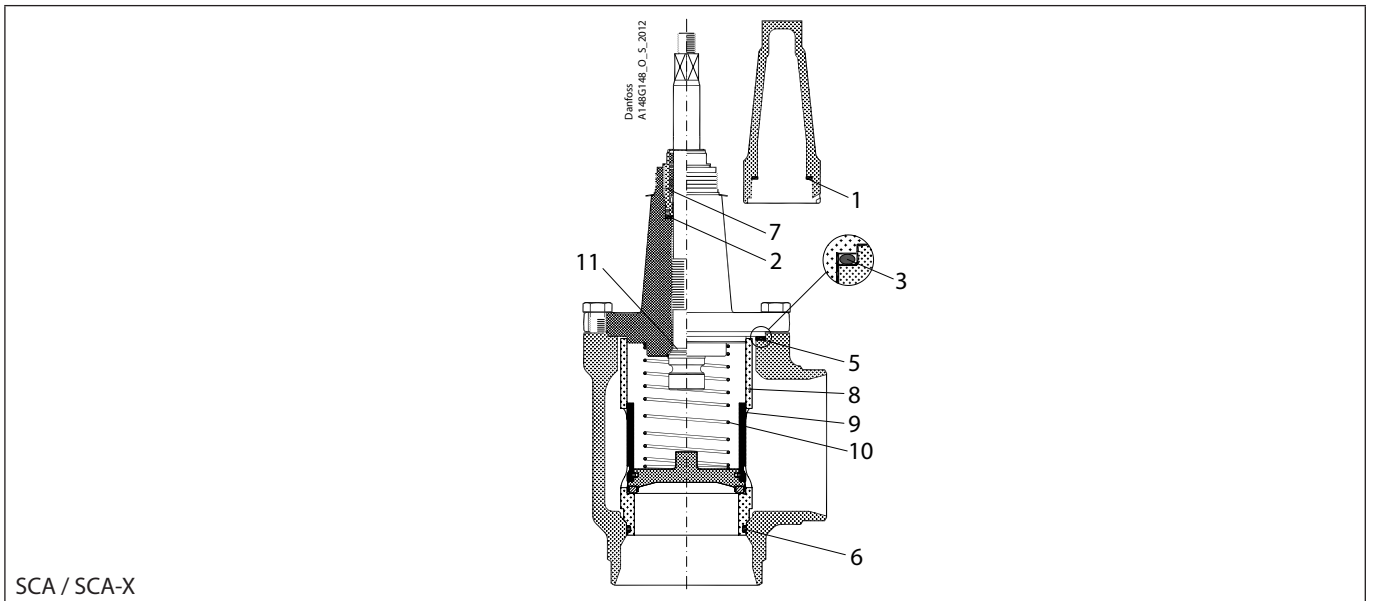


Installation guide – Spare parts and accessories

Overhaul kit | Code number 148B6165

SCA / SCA-X sizes 100



SCA / SCA-X

<p>1</p> <p> = Nylon</p> <p> $\varnothing 45 \text{ mm}$ $\varnothing 1.88''$</p> <p>Total no. = 1</p>	<p>2</p> <p> = Alu.</p> <p> $\varnothing 31.5 \text{ mm}$ $\varnothing 1.24''$</p> <p>Total no. = 1</p>	<p>3</p> <p> = O-ring</p> <p> $\varnothing 101 \text{ mm}$ $\varnothing 3.98''$</p> <p>Total no. = 1</p>	<p>5</p> <p> = Fibre</p> <p> $\varnothing 119 \text{ mm}$ $\varnothing 4.69''$</p> <p>Total no. = 1</p>	<p>6</p> <p> = O-ring</p> <p> $\varnothing 82 \text{ mm}$ $\varnothing 3.23''$</p> <p>Total no. = 1</p>
<p>7</p> <p> = Packing gland</p> <p> $\varnothing 32 \text{ mm}$ $\varnothing 1.26''$</p> <p>Total no. = 1</p>	<p>8</p> <p> = Aluminium housing</p> <p> $\varnothing 99.5 \text{ mm}$ $\varnothing 3.92''$</p> <p>Total no. = 1</p>	<p>9</p> <p> = Aluminium housing</p> <p> $\varnothing 90 \text{ mm}$ $\varnothing 3.54''$</p> <p>Total no. = 1</p>	<p>10</p> <p> = Spring</p> <p> 250 mm $9.84''$</p> <p>Total no. = 1</p>	<p>11</p> <p> = PTFE</p> <p> $\varnothing 30 \text{ mm}$ $\varnothing 1.18''$</p> <p>Total no. = 1</p>

NOTE:

When replacing the packing gland (pos. 7) in SCA-X or SCA the aluminium gasket (pos. 2) is needed.