



MEMORY OPTION

VLT® Series 5000

Montering, Mounting, Montage, Installation

Bookstyle..... page 3

Compact IP 20 page 7

Compact IP 54 page 17

Advarsel!

Memory Option Card samt andre elektroniske komponenter i VLT kan blive udsat for elektrostatisk udladning - ESD. Sørg for at optionskortet bliver i den beskyttende ESD-pose hele tiden under transport og opbevaring. Før kortet tages ud af beskyttelsesposen for at blive monteret, skal man sørge for at være korrekt jordforbundet, f.eks. ved at bære et jordforbindelsesarmbånd. VLT skal også jordforbindes. Når optionskortet er ude af beskyttelsesposen, bør man kun berøre kanten og aldrig de elektroniske komponenter, da de derved kan påføres uoprettelig skade.

DANFOSS
175H1106.00

Warning!

The Memory Option Card as well as other electronic components within the VLT are susceptible to **Electrostatic Discharge - ESD**. Make sure that the option card remains in the ESD protective bag at all times during transportation and storage. Before you take the card out of the protective bag for mounting, make sure that you are properly connected to common ground, for example by means of a groundconnected wrist-band, and that the same applies to the VLT. When the option card is out of the protective bag, you should only touch the rim, and never touch the electronic components, as they may suffer irreparable damage.

DANFOSS
175H1106.00

Warnung!

Die Speicheroptionskarte wie auch andere elektronische Bauelemente des VLT sind gegen **elektrostatische Entladungen (ESD)** empfindlich. Bei Transport und Lagerung immer darauf achten, daß sich die Optionskarte in dem Beutel befindet, der sie gegen ESD schützt. Vor Entnahme der Karte aus dem Schutzbeutel den eigenen Körper ausreichend gut erden, z.B. mit einem geeigneten Erdungsarmband. Den VLT ebenfalls mit Masse verbinden. Die ungeschützte Optionskarte immer nur an der Kante berühren und niemals direkt auf den elektronischen Bauelementen, da die Karte irreparable Schäden erleiden kann.

DANFOSS
175H1106.00

Attention!

La carte option mémoire et les composants électroniques internes du VLT sont sensibles aux **décharges électrostatiques, ou DES**. Vérifiez que la carte option demeure en permanence dans son sac de protection anti-DES durant le transport et le stockage. Avant de sortir la carte du sachet de protection pour l'installer, vérifiez que vous êtes bien relié à la terre, par un bracelet relié à la terre par exemple, et qu'il en est de même pour le VLT. Lorsque la carte option se trouve hors du sachet de protection, ne touchez que ses bords et évitez tout contact avec les composants électroniques, car vous risqueriez de les endommager définitivement.

DANFOSS
175H1106.00

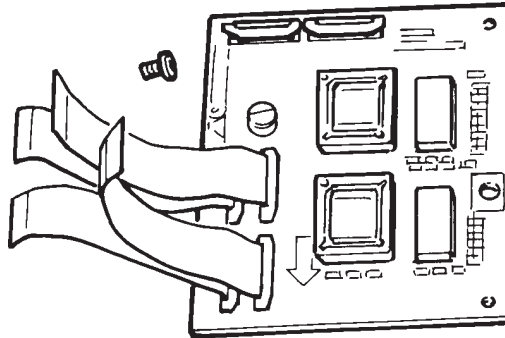


Bookstyle

VLT® 5001-5006, 200/240 V

VLT® 5001-5011, 380/500 V

Indhold:
Contents:
Inhalt:
Contenu:



Note:

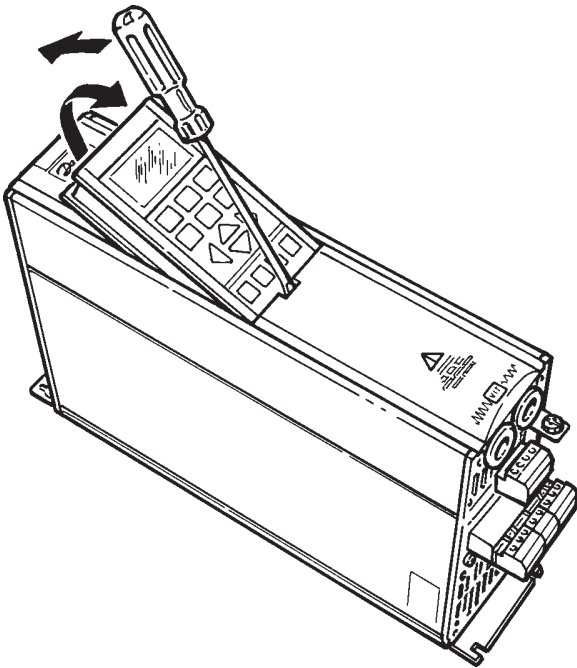
Before Series no. XXXX13GXXX:

Limited compatibility.
Contact Danfoss.

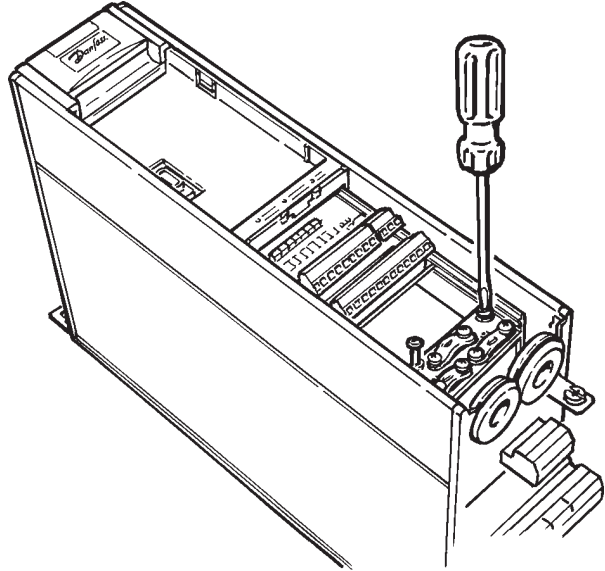
Series no. XXXX13GXXX and higher:

No limitations.

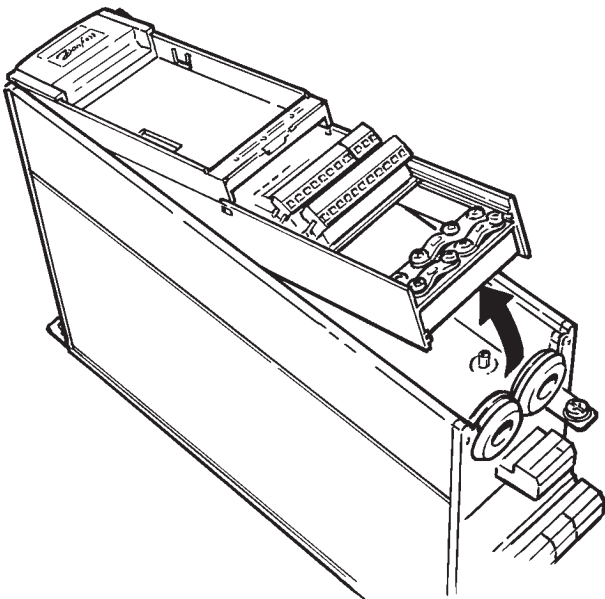
1.



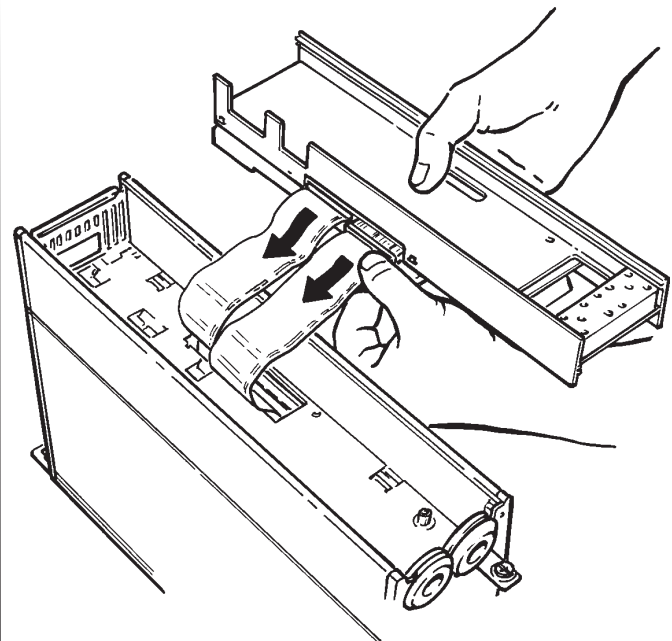
2.



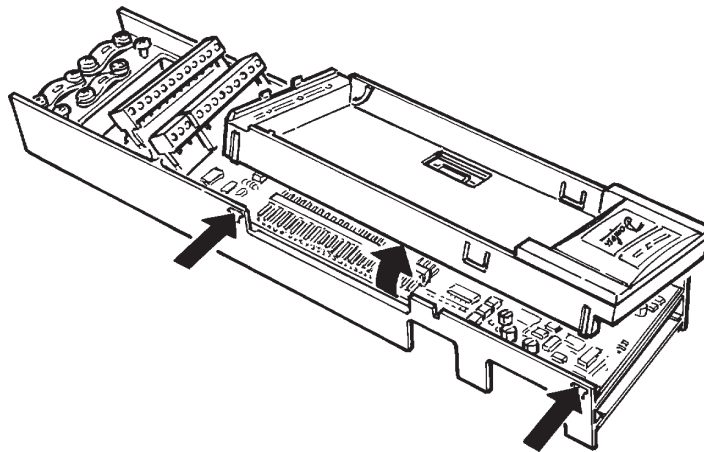
3.



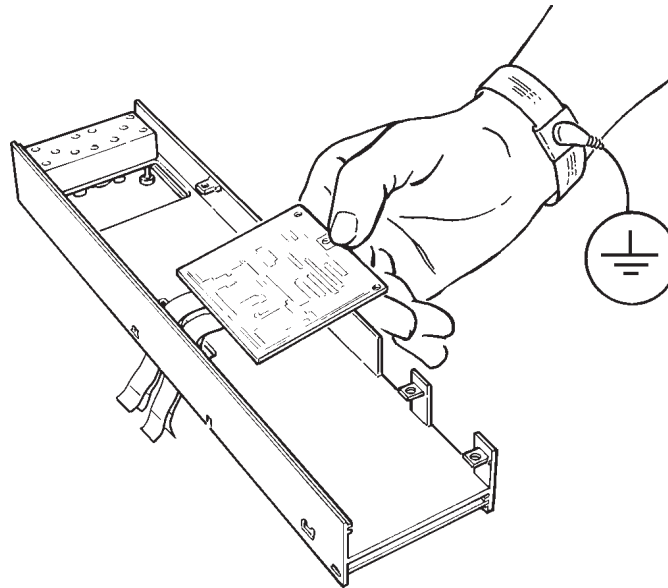
4.



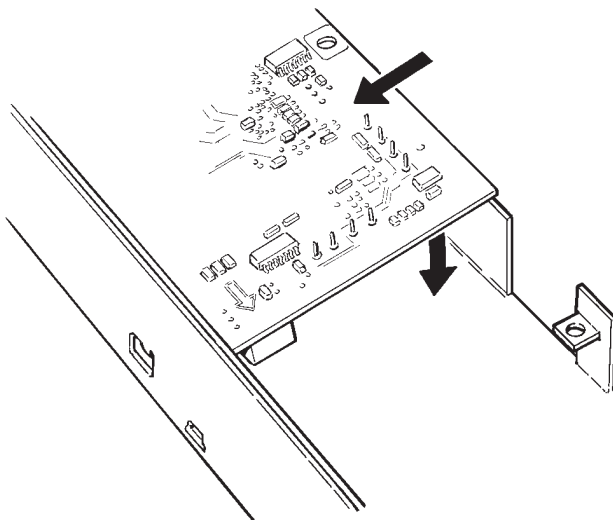
5.



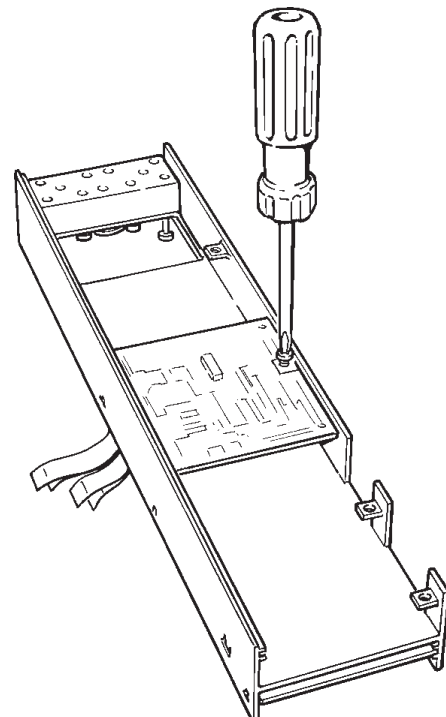
6.



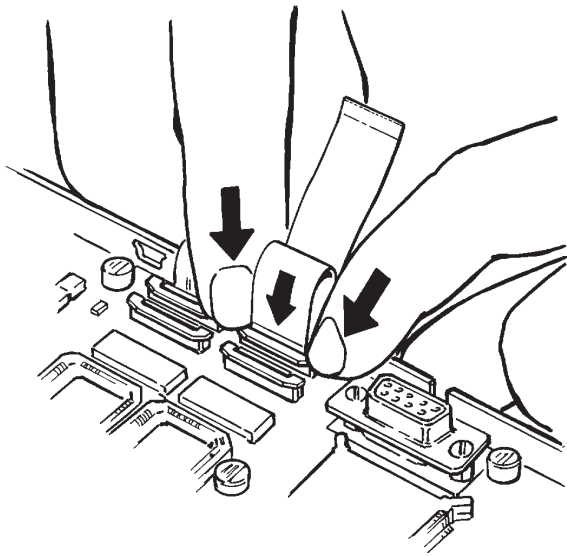
7.



8.



9.

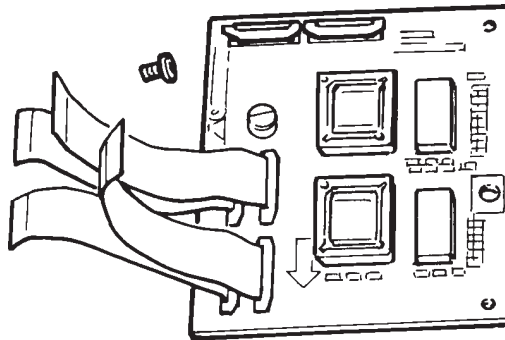


Compact IP 20

VLT® 5001-5006, 200/240 V

VLT® 5001-5011, 380/500 V

Indhold:
Contents:
Inhalt:
Contenu:



Note:

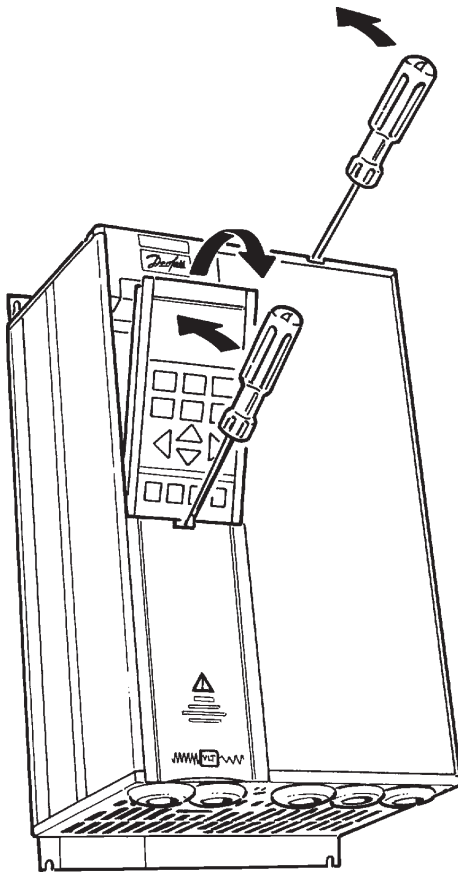
Before Series no. XXXX13GXXX:

Limited compatibility.
Contact Danfoss.

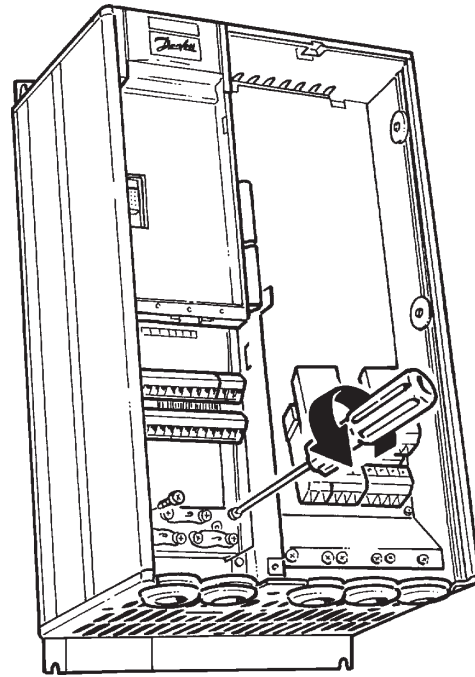
Series no. XXXX13GXXX and higher:

No limitations.

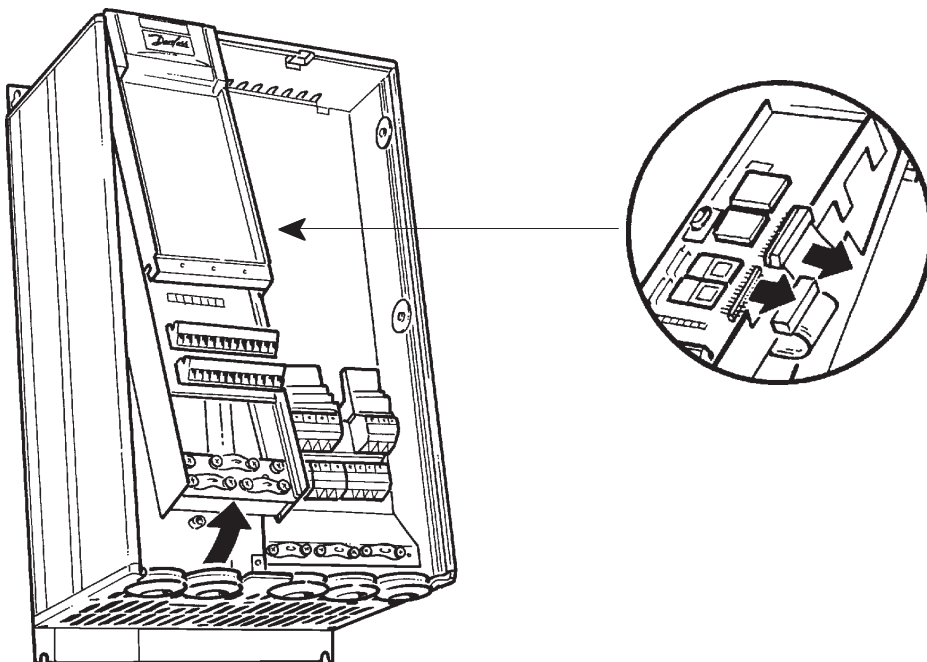
1.



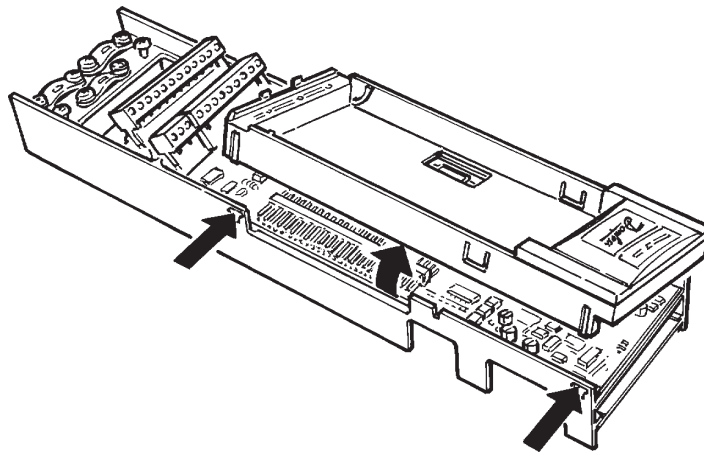
2.



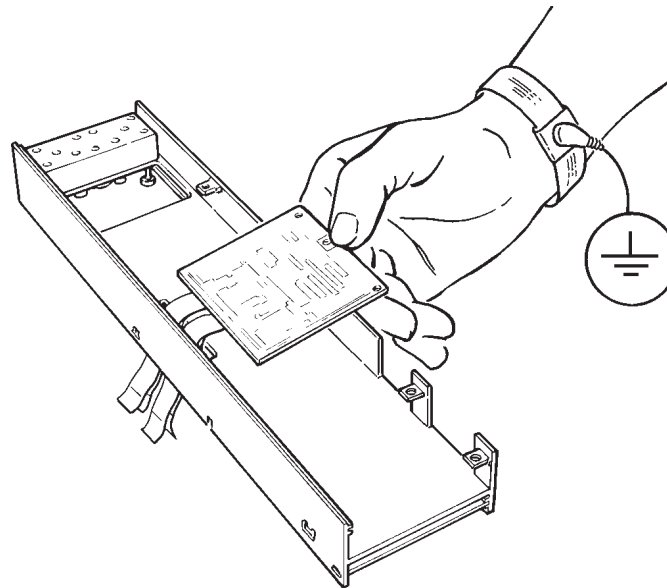
3.



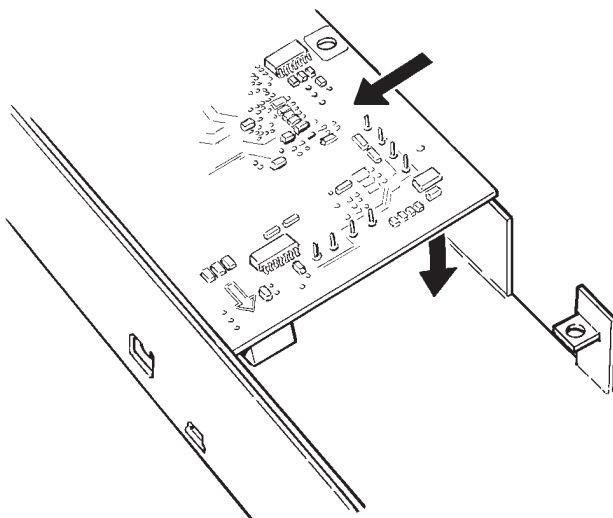
4.



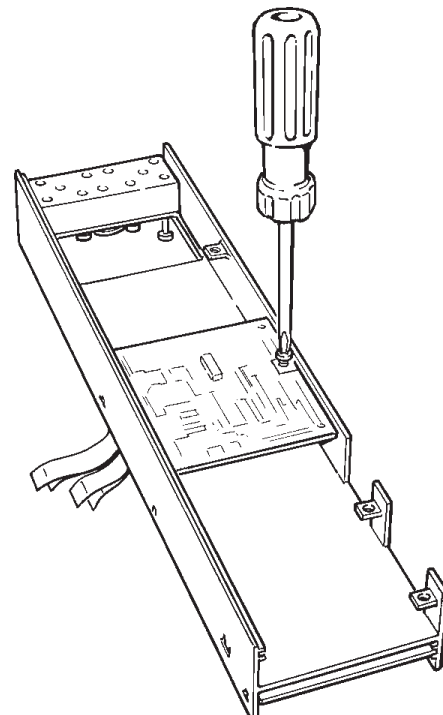
5.



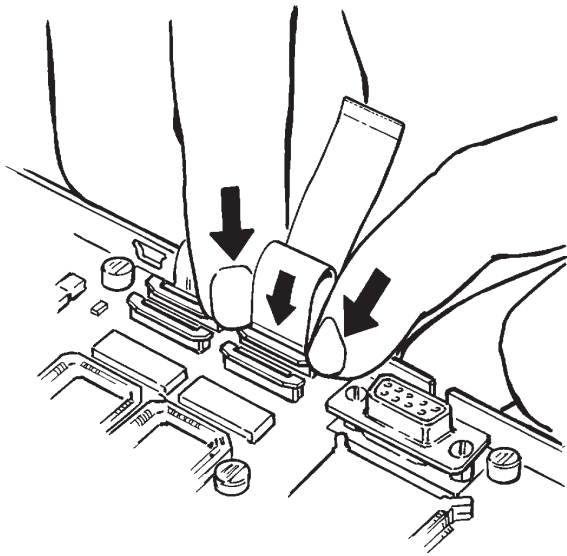
6.



7.



8.

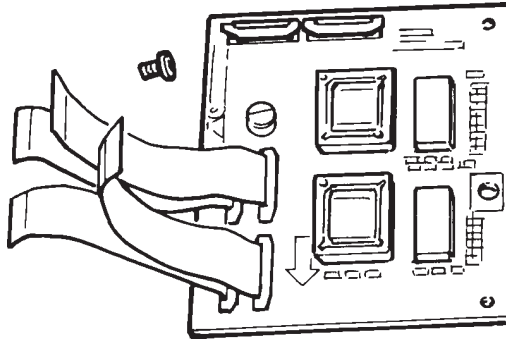


Compact IP 20

VLT® 5008-5027, 200/240 V

VLT® 5016-5052, 380/500 V

Indhold:
Contents:
Inhalt:
Contenu:



Note:

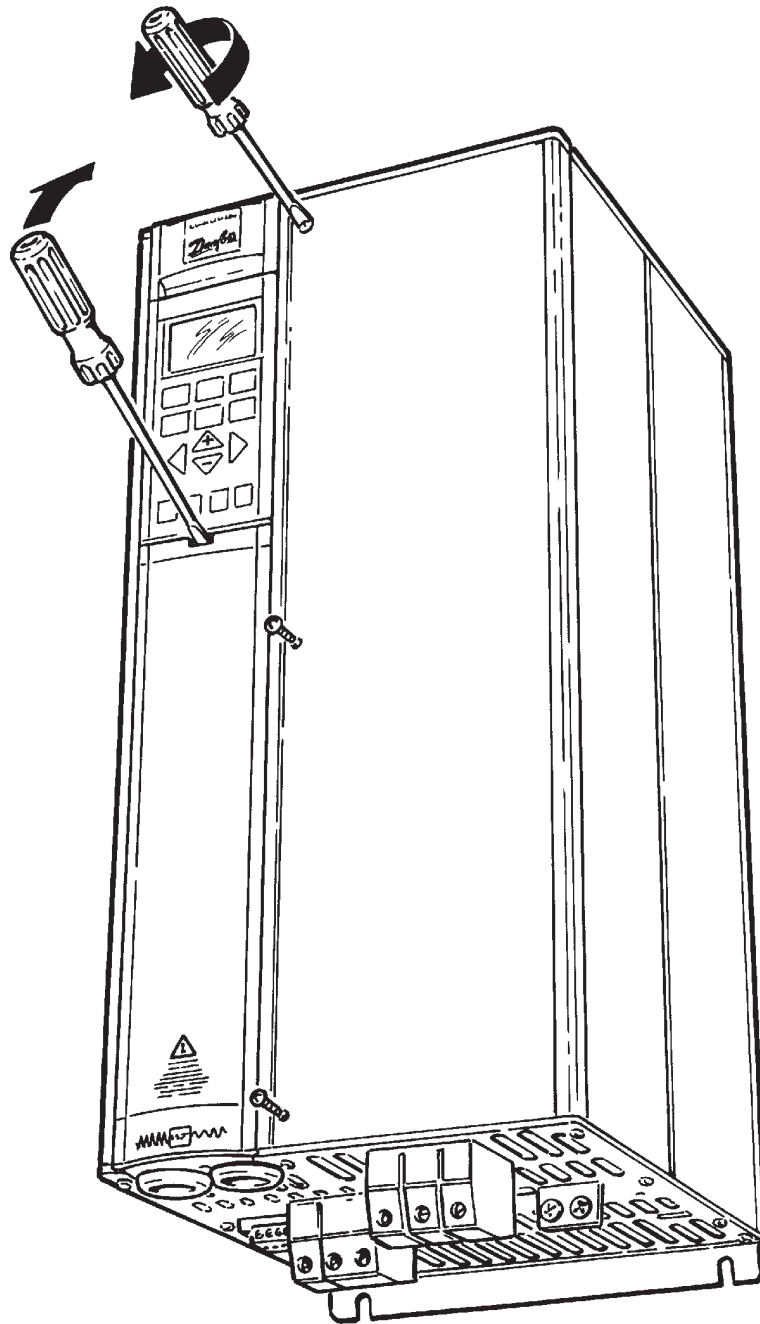
Before Series no. XXXX04GXXX:

Limited compatibility.
Contact Danfoss.

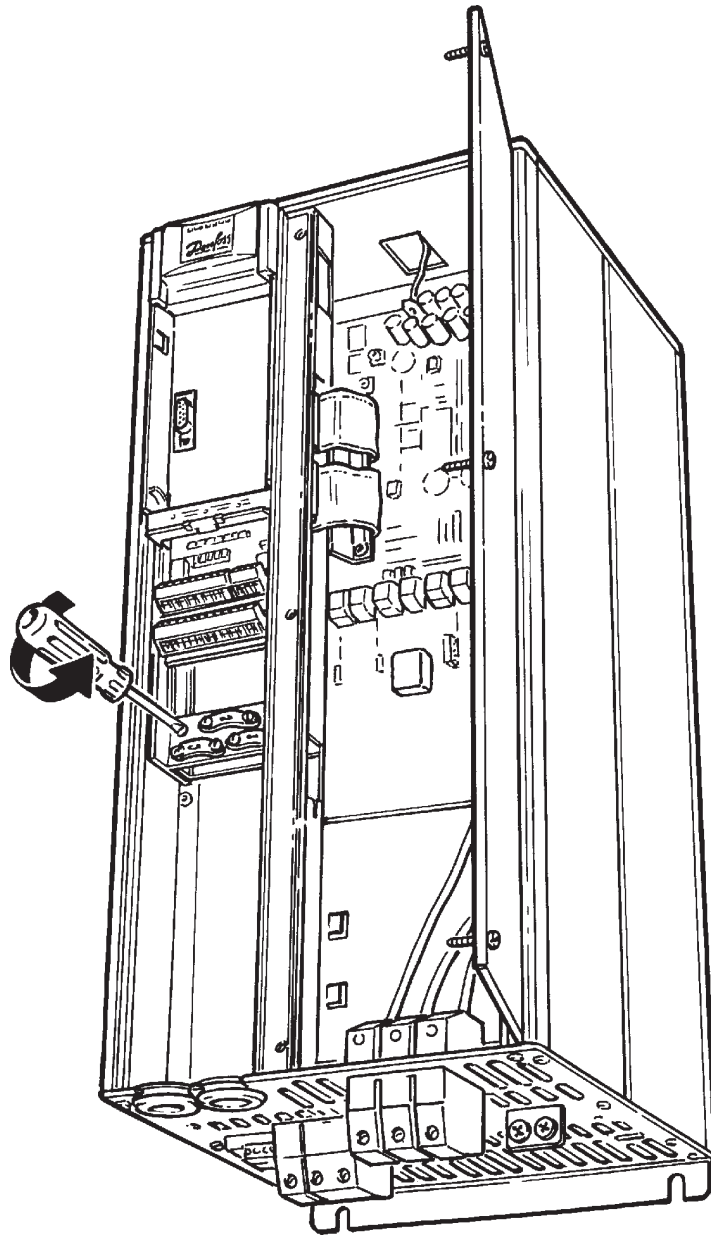
Series no. XXXX04GXXX and higher:

No limitations.

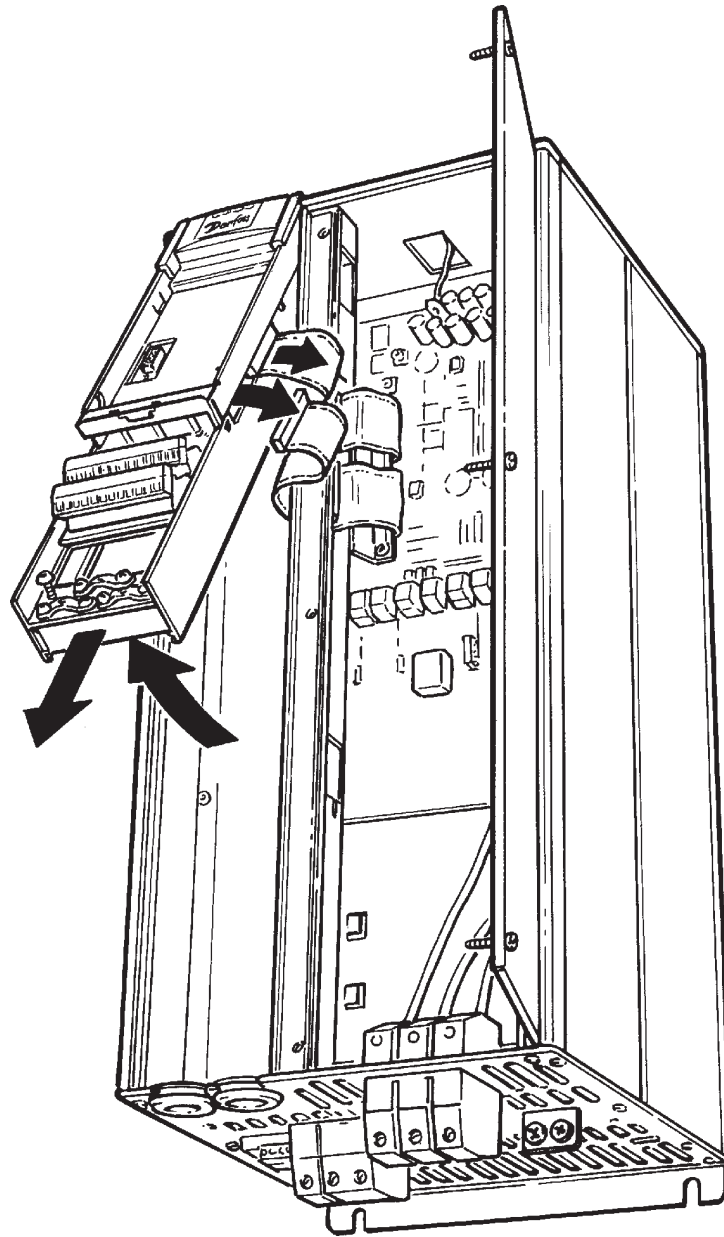
1.



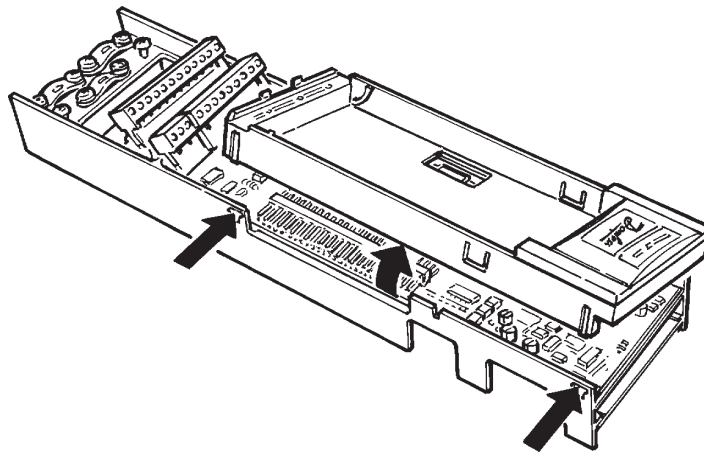
2.



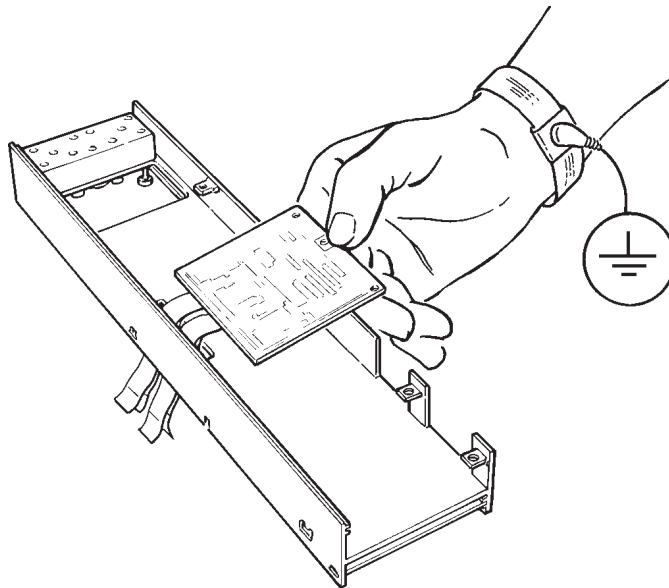
3.



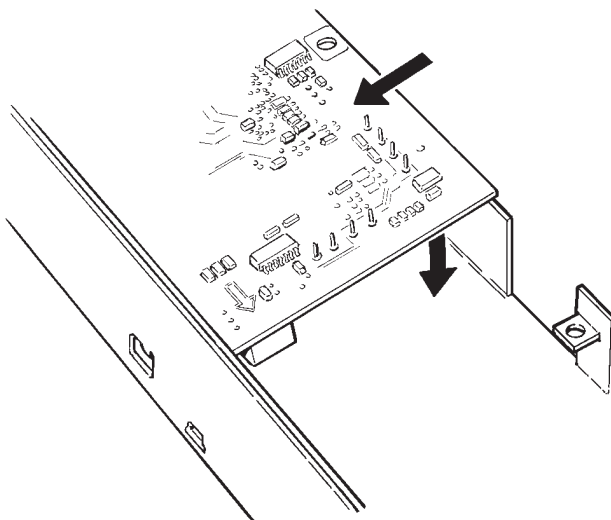
4.



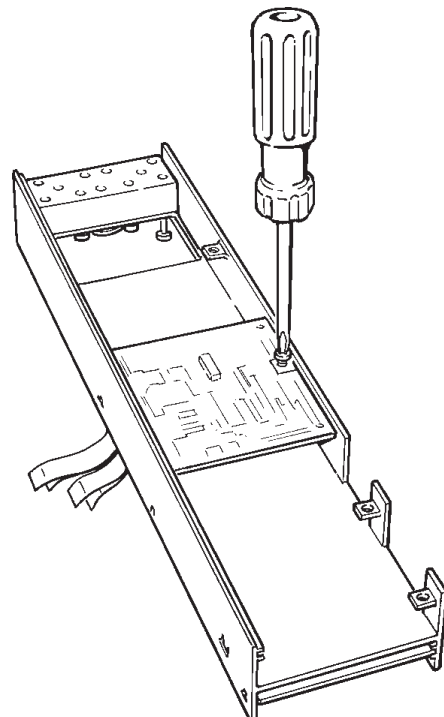
5.



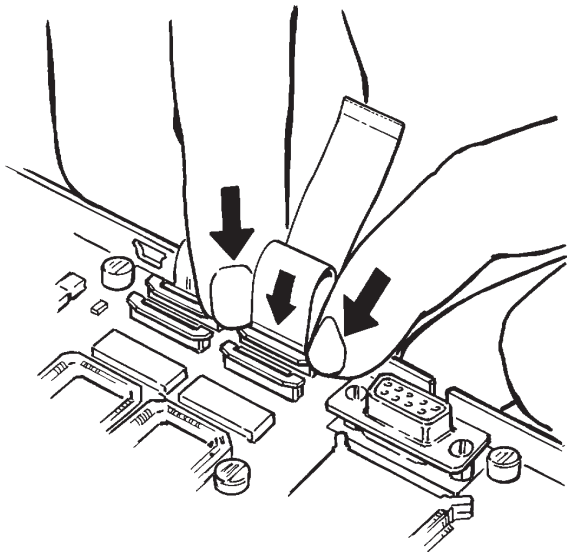
6.



7.



8.

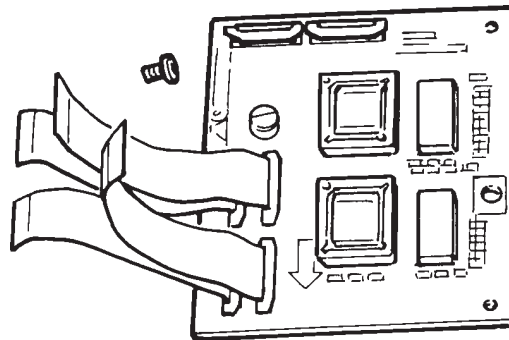


Compact IP 54

VLT® 5001-5006, 200/240 V

VLT® 5001-5011, 380/500 V

Indhold:
Contents:
Inhalt:
Contenu:



Note:

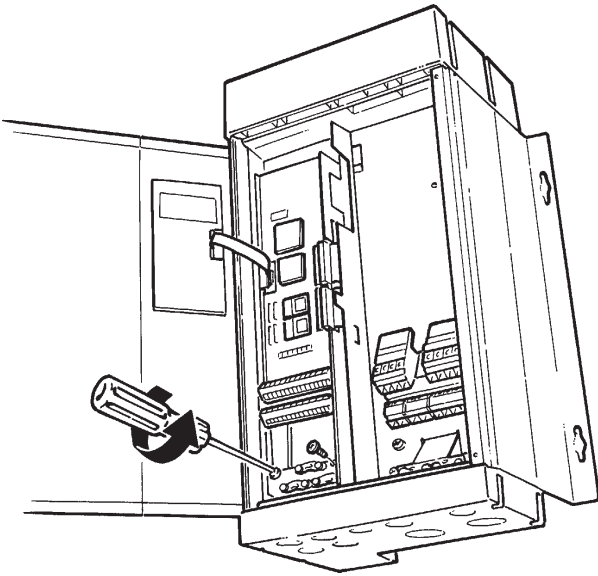
Before Series no. XXXX13GXXX:

Limited compatibility.
Contact Danfoss.

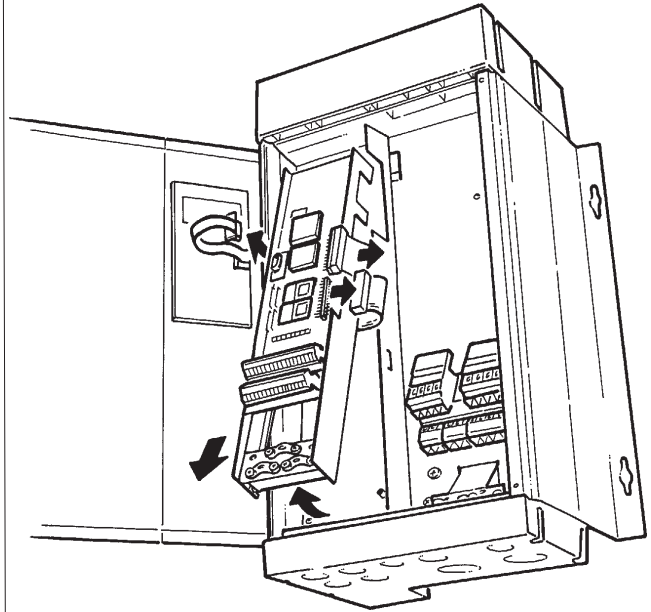
Series no. XXXX13GXXX and higher:

No limitations.

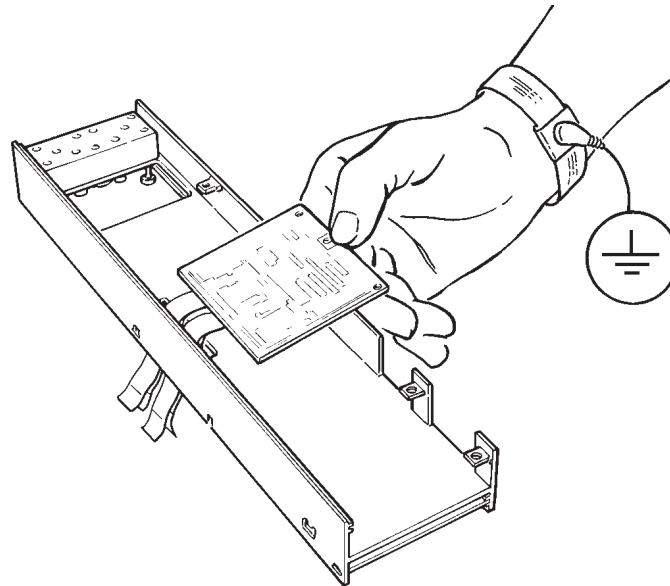
1.



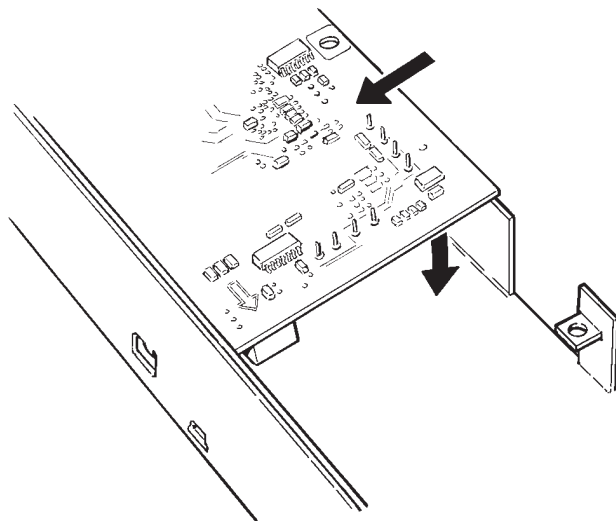
2.



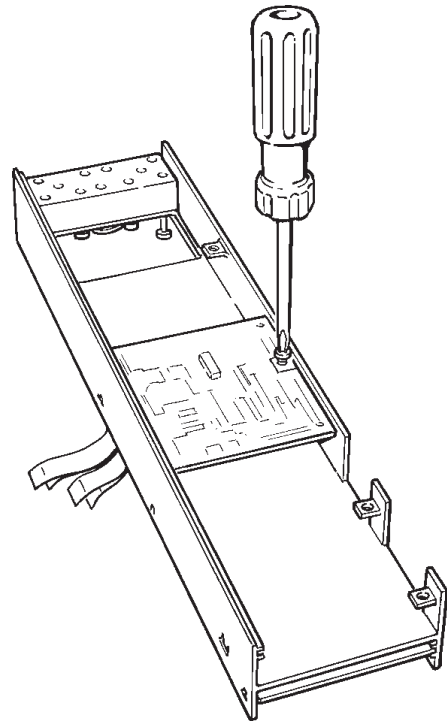
3.



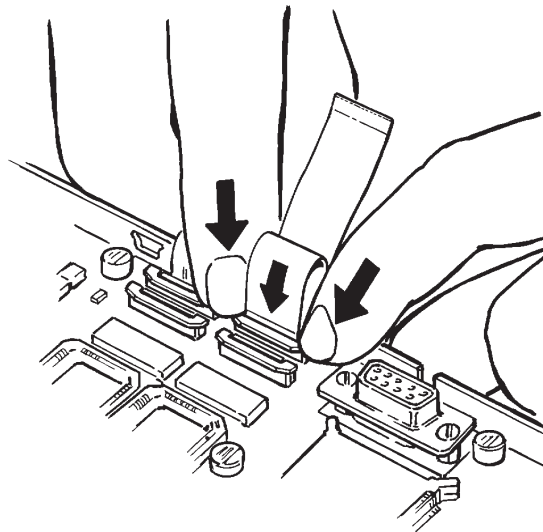
4.



5.



6.

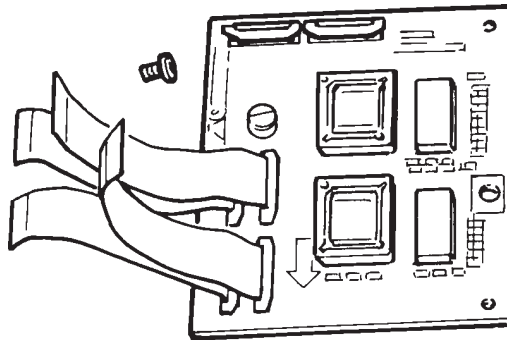


Compact IP 54

VLT® 5008-5027, 200/240 V

VLT® 5016-5052, 380/500 V

Indhold:
Contents:
Inhalt:
Contenu:



Note:

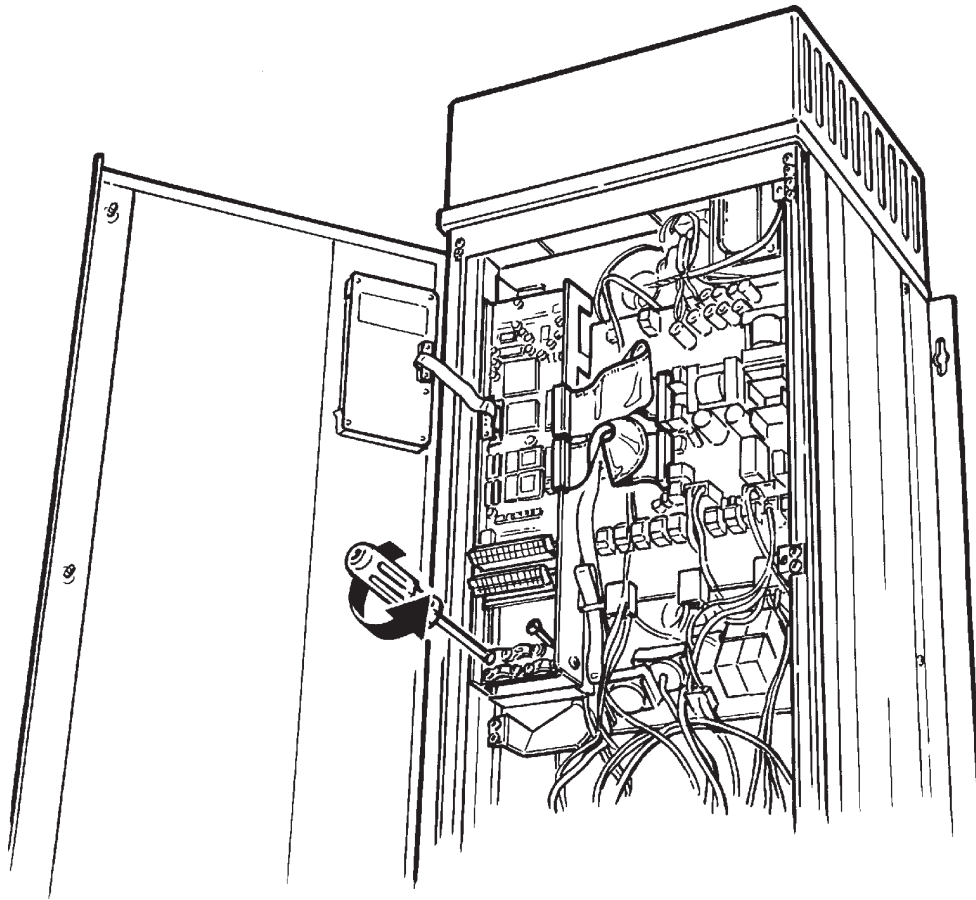
Before Series no. XXXX04GXXX:

Limited compatibility.
Contact Danfoss.

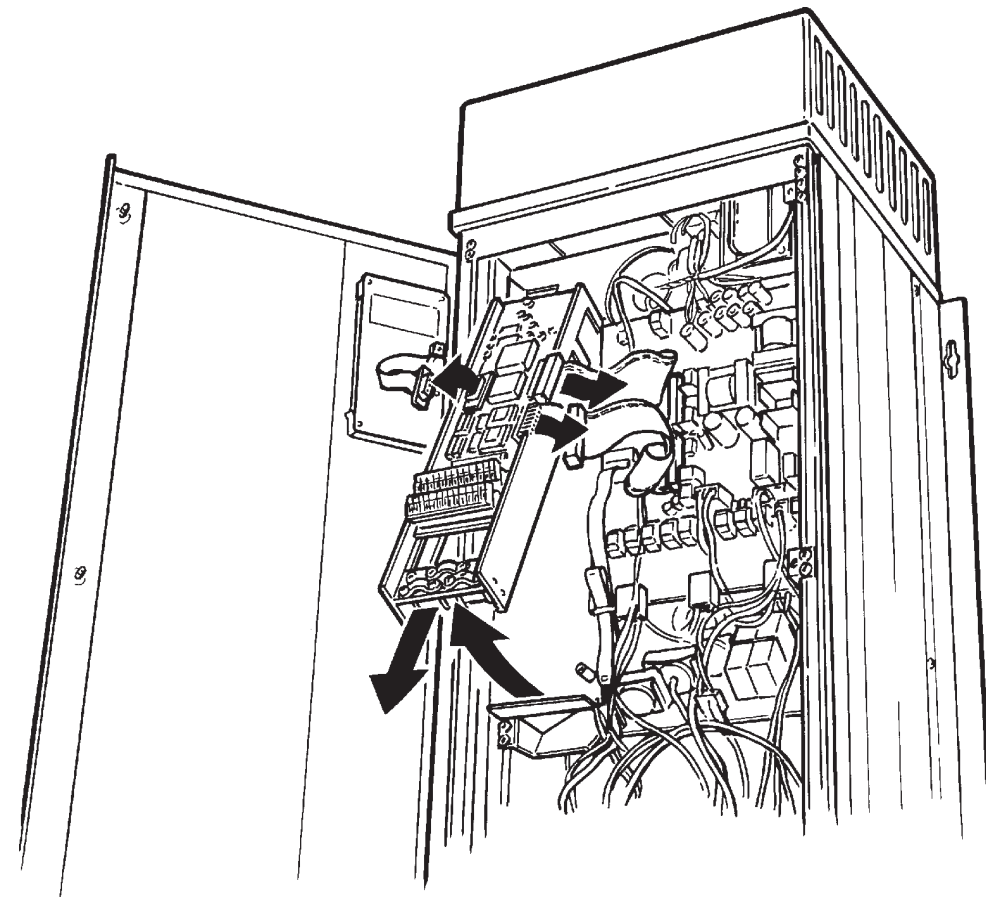
Series no. XXXX04GXXX and higher:

No limitations.

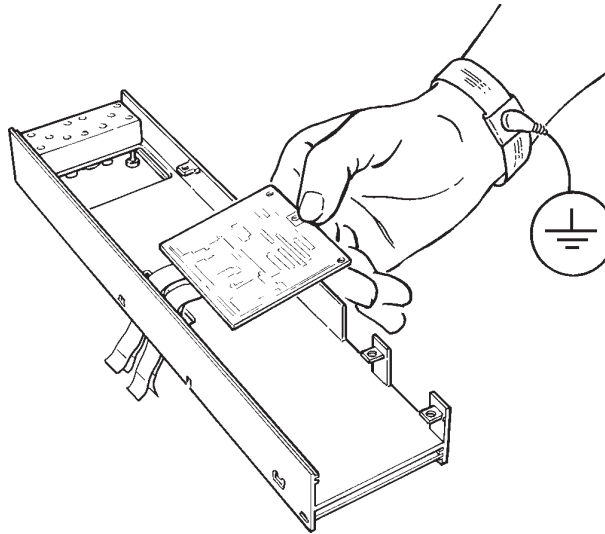
1.



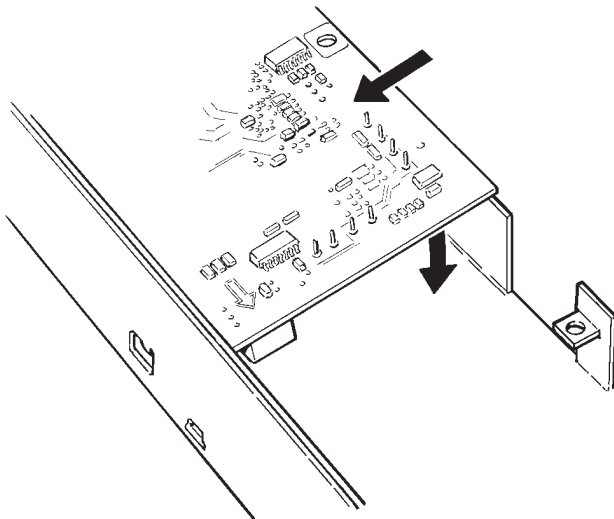
2.



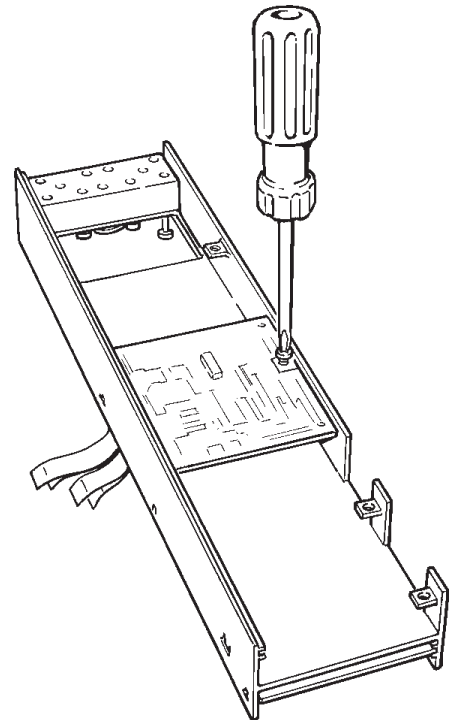
3.



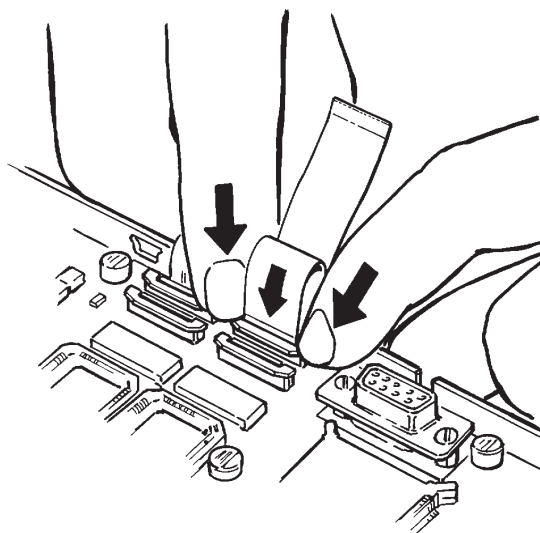
4.



5.



6.





Danfoss can accept no responsibility for possible errors in catalogues, brochures and other printed material. Danfoss reserves the right to alter its products without notice. This also applies to products already on order provided that such alterations can be made without subsequential changes being necessary in specifications already agreed.