

Installation guide/Quick start

# Liquid Level Switch

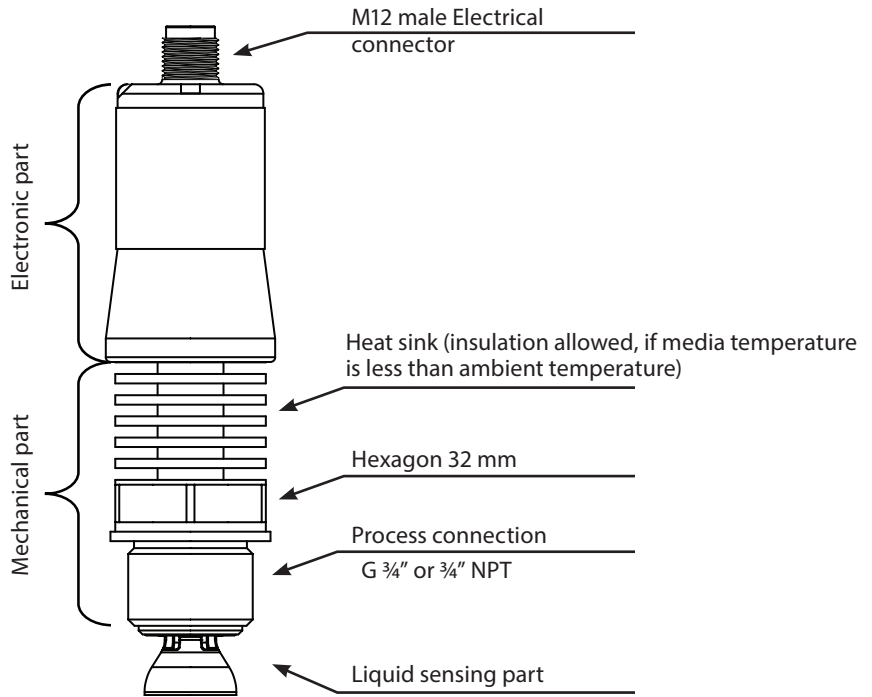
Type LLS 4000 / LLS 4000U



148R9650



**Warning!** This is a Class A device. This device may cause radio interference in residential areas. In case of interference, the operator may be required to take appropriate measures. This instrument has to be mounted on a metallic tank. The device is intended to be used in industrial areas.



148R9650

Fig. 1

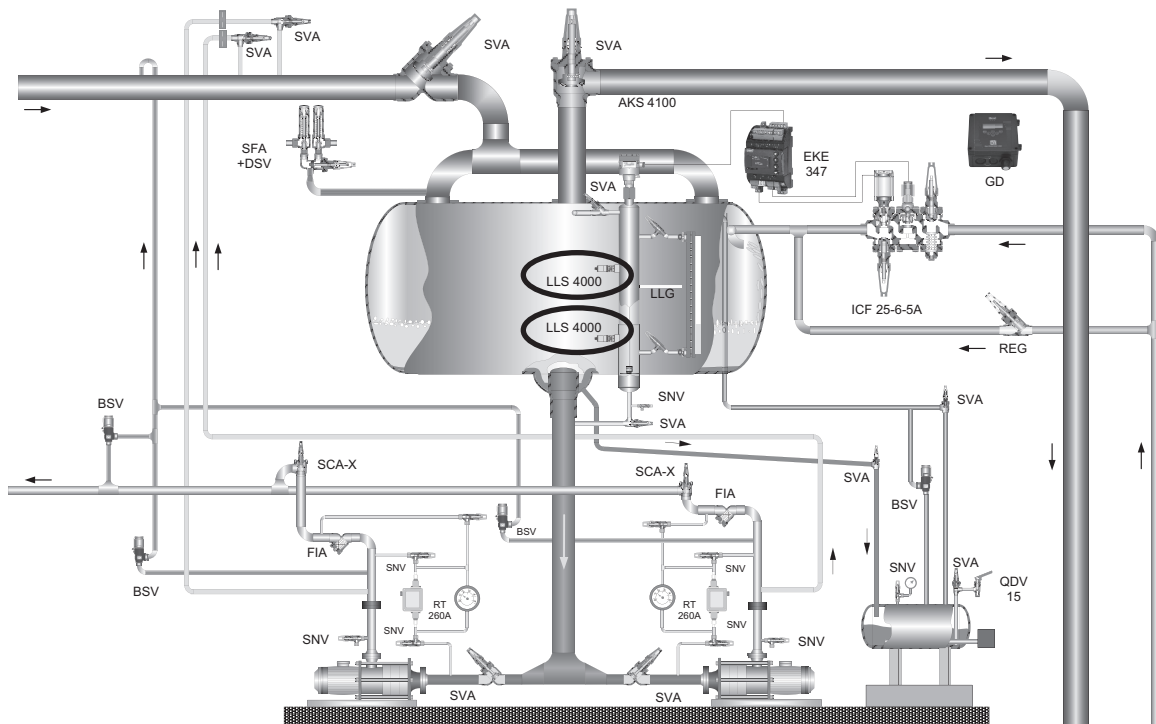
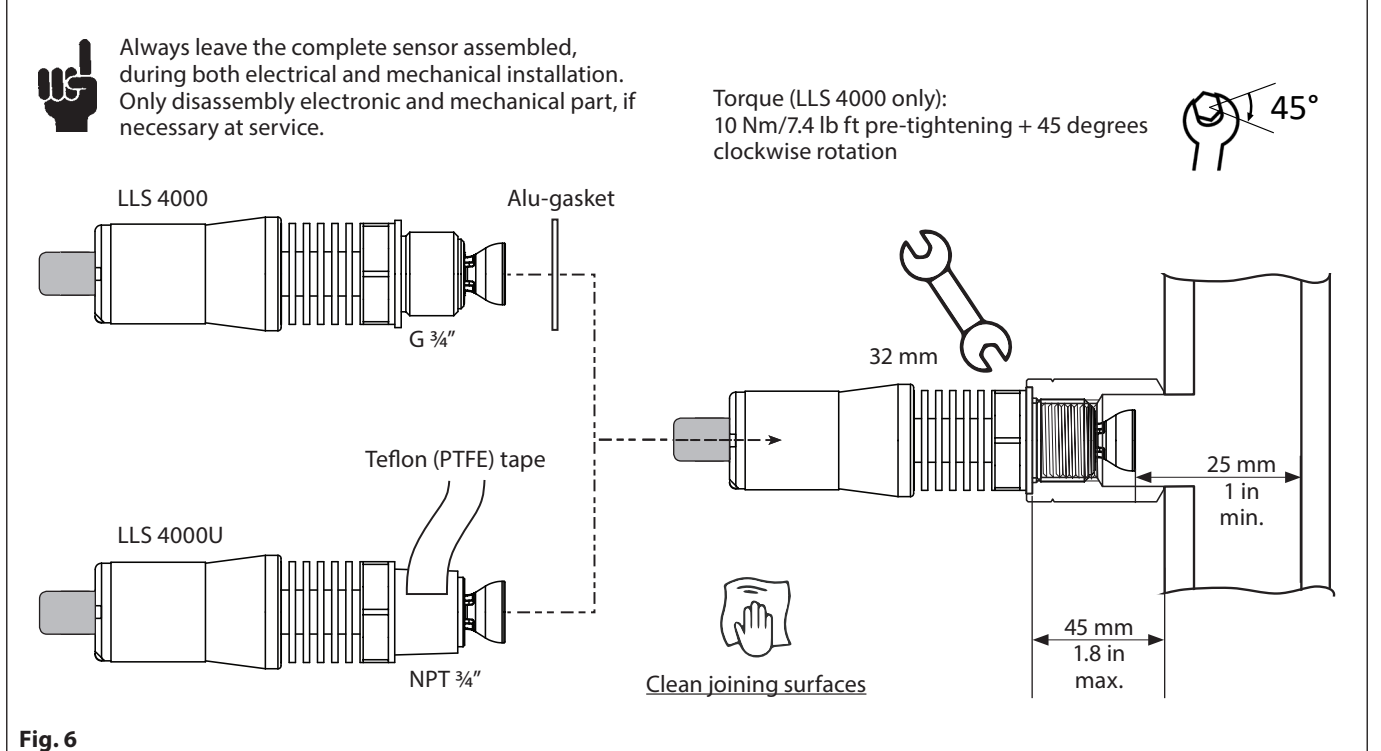
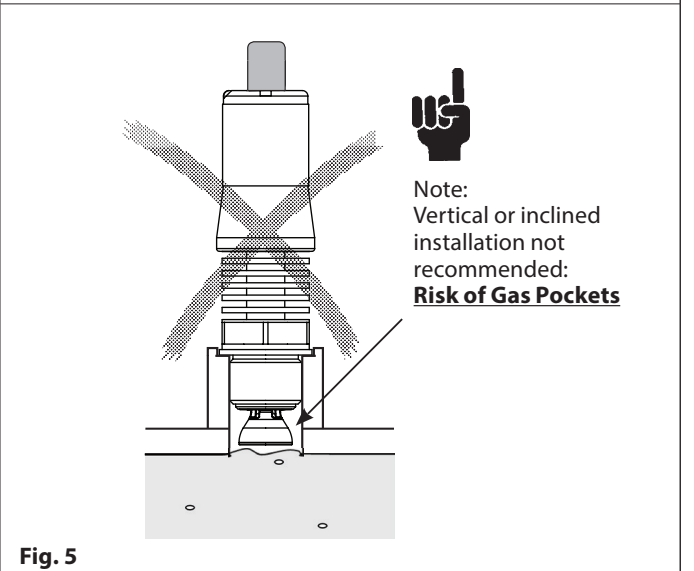
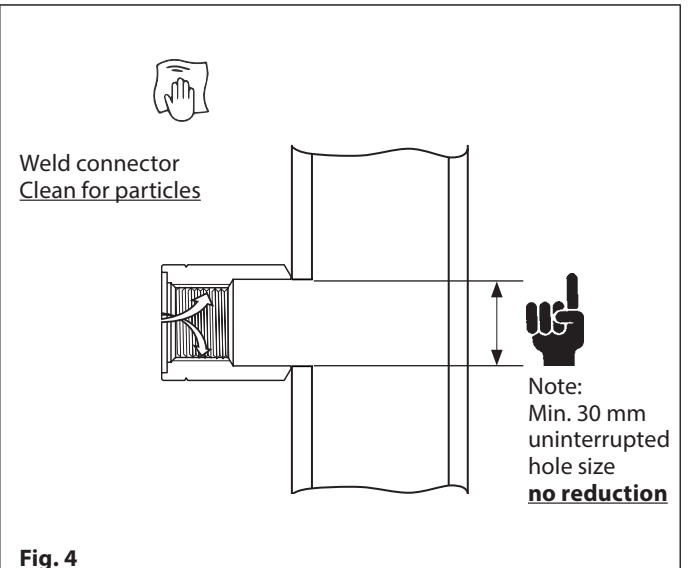
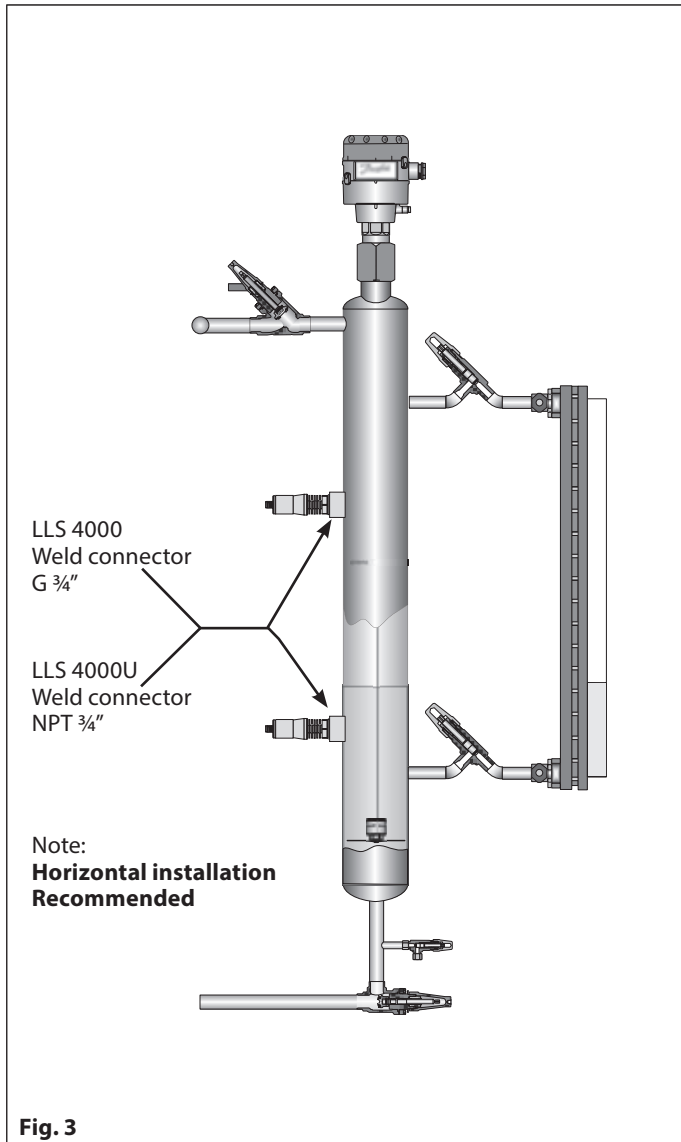


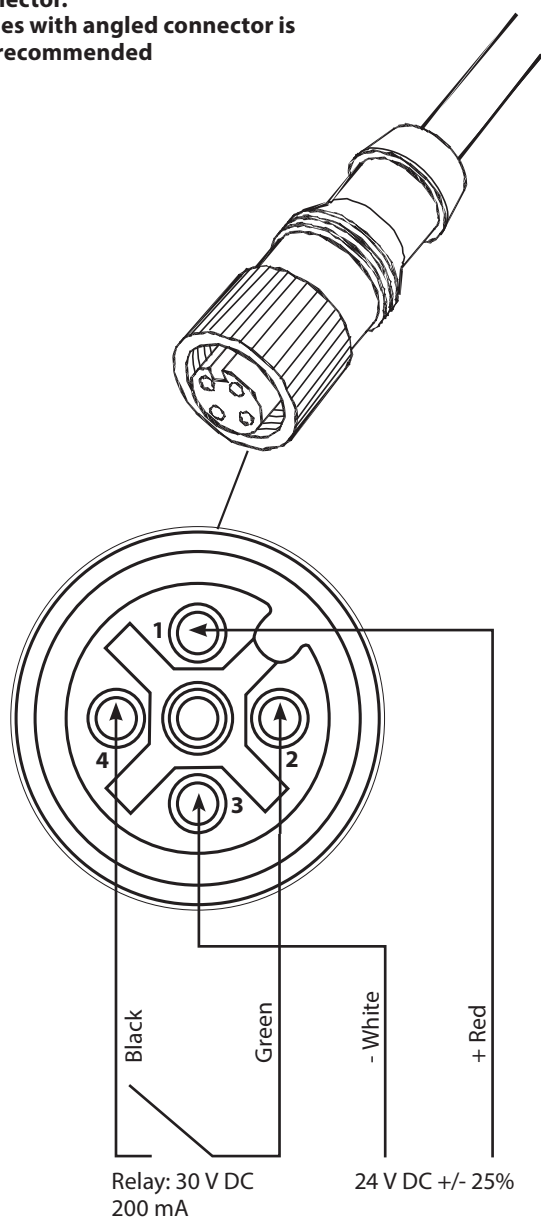
Fig. 2

Імпортер: ТОВ з іі "Данфосс ТОВ" 04080, Київ 80, п/с 168, Україна

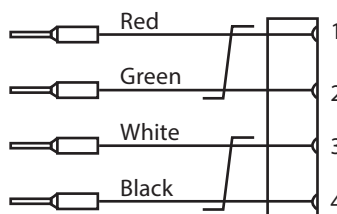
Info for UK customers only: Danfoss Ltd., 22 Wycombe End, HP9 1NB, GB



Cable with straight M12 female connector.  
Cables with angled connector is not recommended



Color code M12 cable



**Danfoss M12 cables**

**034G2201**, straight M12 cable female x 2 meter

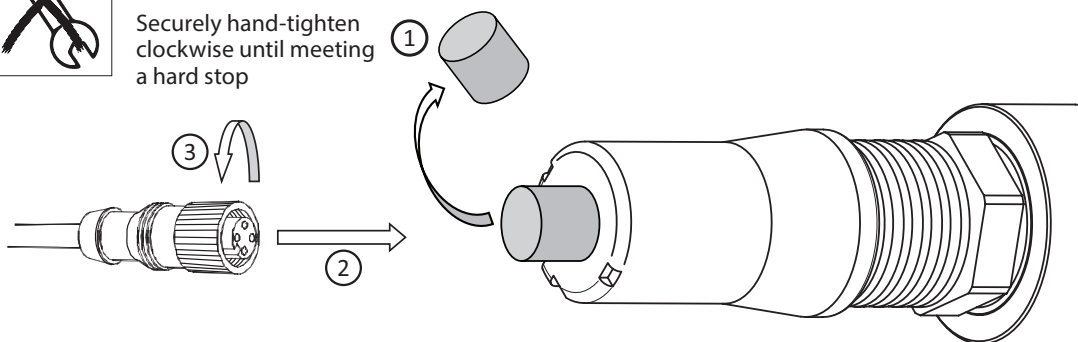
**034G2200**, straight M12 cable female x 8 meter

**Cables not included with LLS 4000/4000U**

Fig. 7



Securely hand-tighten clockwise until meeting a hard stop



Note: **Fasten the wire approx. 100 mm from the LLS**

Fig. 8

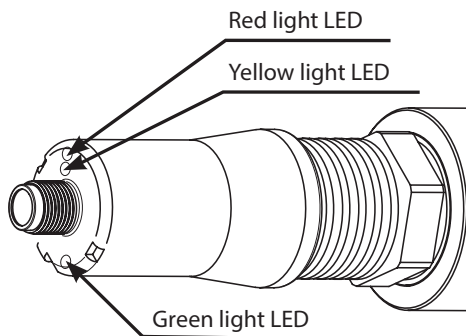


Fig. 9

	Level	Open at no Liquid (Normally Open)*	Closed at no Liquid (Normally Closed)*	Voltage connected	Level detection	LLS 4000/4000U Fault
				Green LED	Yellow LED	Red LED
High Level sensor				●		
High Level sensor		1)		●	●	
Low Level sensor				●	●	
Low Level sensor			2)	●		
Voltage supply outside spec.	-					
LLS 4000/4000U fault**	-			●	●***	●

	Green LED ON		Yellow LED ON		Red LED ON		Green LED Flashing. LLS 4000/4000U connected to Bluetooth device
--	--------------	--	---------------	--	------------	--	--

\* Configuration dependent. Non-SIL2 fully configurable. SIL2 fixed configuration and only applicable for High Level sensor

\*\* For failure types please connect the device to the Bluetooth App, enter fault state mode, and read the failure type

\*\*\* Fault can be detected at any detected level, ie. 2 or all 3 lights on

**Not recommended in these applications because**

1) A High Level Alarm may not be registered at a power failure

2) A Low Level Alarm may not be registered at a power failure

## General specifications

Electrical data		
Supply	24 V DC +/-25%, 80 mA Standard power supply of type: SELV (Safety Extra Low Voltage) with current limit of max. 8A.	
Relay (Solid state)	Max 30 V DC, 200 mA. Same power supply as to supply can be used. Observe: In applications with request for SIL2, another separate SELV power supply may be needed.	
	Min. cycles: 1.000.000 Default delay between detection and relay switching: PV (Product Version) All SIL devices, regardless of PV: 1 second All non-SIL, PV02: 1 second All non-SIL, PV03 or greater: 2 seconds Product Version number can be found on product label. Actual delay highly influenced by media viscosity and shall be validated before commissioning.	
Mechanical Data		
Max. medium viscosity	5000 cP (Un-detection is delayed up to 20 seconds)	
Max. working pressure	140 bar (2030 psi)	
Ambient temperature range	-40 °C to +65 °C (-40 °F to +149 °F)	
Medium temperature range	-50 °C to +120 °C (-58 °F to +248 °F). Observe restrictions on saturation temperature for approved medias	
Operating environment	Pollution degree 3, altitude 2000 max., outdoor use Relative humidity RH4 to RH99 % (IEC 60721-3-4: 1995 Class 4K4)	
Connection type	G ¾ in. or NPT ¾ in.	
Weight	350 g (0.77 lbs.)	
Approved media		
Ammonia and listed H(C)FCs and HFOs.  <b>Note:</b> For other medias and mixed medias, please contact Danfoss.	<b>Media</b>	<b>Saturation temperature range</b>
	R717 (Ammonia)	-50 °C – +105 °C (-58 °F – +221 °F)
	R22 (HCFC)	-50 °C – +86 °C (-58 °F – +187 °F)
	R507A (HCFC)	-50 °C – +60 °C (-58 °F – +140 °F)
	R134a (HFC)	-50 °C – +91 °C (-58 °F – +196 °F)
	R404A (HFC)	-50 °C – +63 °C (-58 °F – +145 °F)
	R407A (HFC)	-50 °C – +72 °C (-58 °F – +162 °F)
	R410A (HFC)	-50 °C – +61 °C (-58 °F – +142 °F)
	R513A (HFC)	-50 °C – +83 °C (-58 °F – +181 °F)
	R1234ze(E) (HFO)*	-50 °C – +85 °C (-58 °F – +185 °F)
	PAO (Oil)**	Max 5000 cP and +120 °C (Max 5000 cP and +248 °F)
POE (Oil)**	Max 5000 cP and +120 °C (Max 5000 cP and +248 °F)	
Mineral (Oil)**	Max 5000 cP and +120 °C (Max 5000 cP and +248 °F)	
Approvals	CE: PED, EMC, RED, RoHS, LVD CRN SIL2 FCC IC UA CMIIT ANATEL <sup>(1)</sup> NBTC <sup>(2)</sup>	

\* R1234ze(E) with POE oils (miscible)

\*\* When detecting oils in Ammonia, H(C)FC and HFO systems, the refrigerant gas temperature above the oil must be lower than 80 °C

<sup>(1)</sup> Este equipamento não tem direito à proteção contra interferência prejudicial e não pode causar interferência em sistemas devidamente autorizados. Para maiores informações, consulte o site da ANATEL – [www.anatel.gov.br](http://www.anatel.gov.br).

<sup>(2)</sup> เครื่องโทรคมนาคมและอุปกรณ์นี้มีความสอดคล้องตามมาตรฐานหรือข้อกำหนดทางเทคนิคของ กสทช.  
This telecommunication equipment conforms to the technical standards or requirements of NBTC.

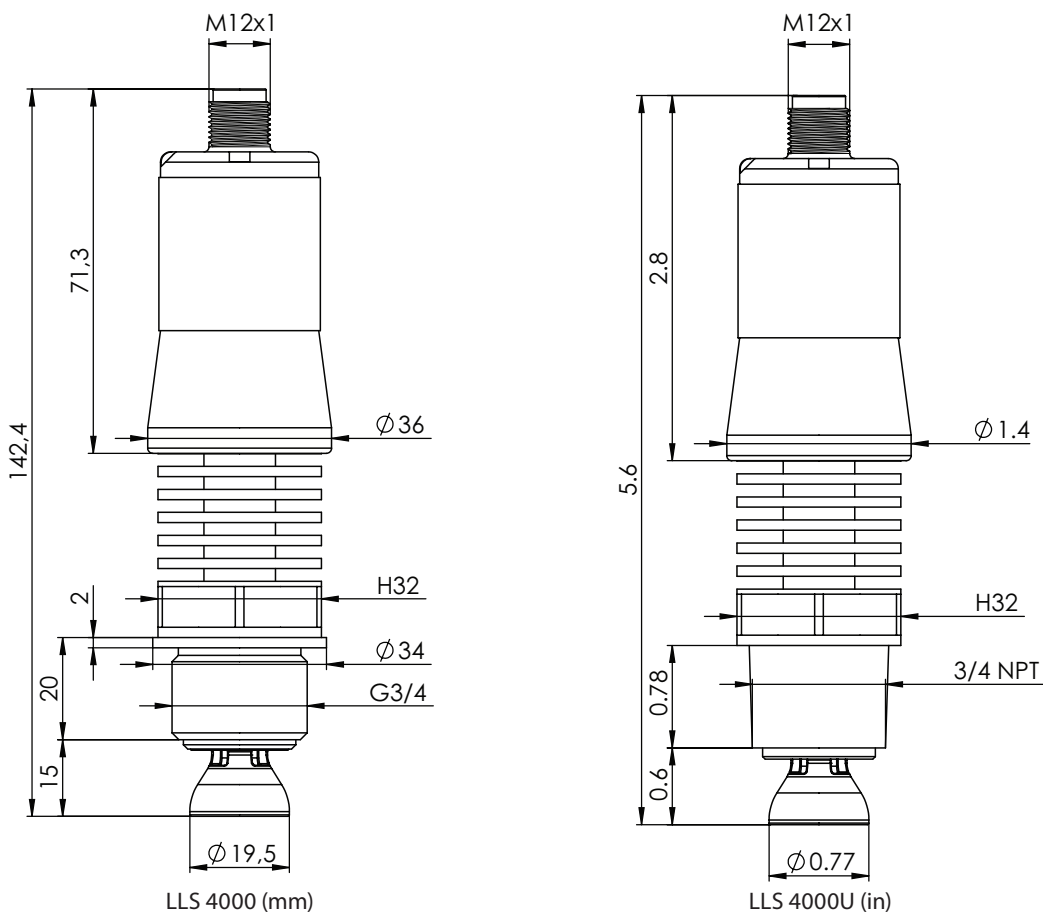


Fig. 10

LLS 4000 (mm)

LLS 4000U (in)

### LLS Bluetooth app download

1

Google Play      App Store

2

**Search** LLS 4000

Q App Store

3

download

4

App Store Cancel

LLS 4000 DANFOSS A/S APP

ACCOUNT ABCDEFGHIJ KL

Install

Observe!  
 Always download or update to latest App version.  
 Devices with Firmware PV01 (see product label) must be  
 Firmware updated to latest firmware before configuration.  
 Please contact Danfoss.

### Configuration

1

12.33

LLS 4000

Connect device  
Please scan to view available devices

SCAN FOR DEVICES

2

12.33

Available devices

Searching ...

3

12.54

Available devices

LLS 4000  
F200000000377604  
Signal Strength: -81  
Status (OK)  
- No liquid  
- Relay open

Scanning for devices

4

13.51

Enter PIN

To access this device please enter the PIN code

1 2 3  
4 5 6  
7 8 9  
0

Pin code: 0000

5

16.01

Read Only

LLS\_4000  
Field\_Test\_0049

Connection Relay open

Additional Info

Configuration About

To change any settings, please log in to Service Mode.

Media Type Freon } Configurable

Switch State Normally Opened

6

13.50

Settings

LLS 4000

Login

Demo mode

Dark mode

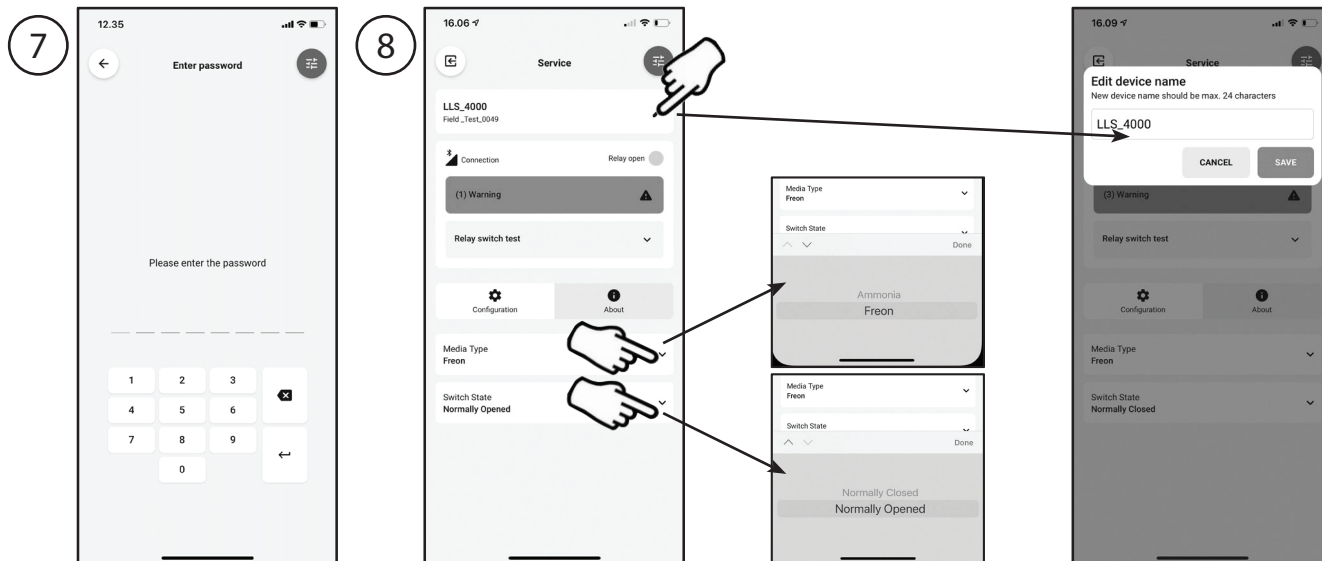
Other

End User License Agreement

Feedback

App Version: 2.0.0 (206)  
D.1.4.U.1.12.9

### Configuration continued



Password: 12131400\*

\* In Service menu a unique password for Service menu can be entered.  
Go to menu upper right -> Go login -> Go to settings ->  
Go to Service Password -> Enter new Service Password



Note:  
For commissioning, service and proof testing  
see LLS 4000/4000U Safety Manual



Read and apply safety instructions contained in product documentation.



Direct current.

### General warnings/precautions

- Every use that is not described in this guide is considered incorrect and is not authorized by the manufacturer.
- The LLS device should only be used with approved media listed under **General specifications**. Use with other medias must be validated by Danfoss before installation.
- Verify that the installation and operating conditions of the device respects those specified in this guide, especially concerning the supply voltage and environmental conditions.
- All service and maintenance operations must be performed by qualified personnel.
- Installation must comply with local standards and legislation.
- Before carrying out any maintenance operations on the device, disconnect the device from the main power supply.
- Before unscrewing the LLS device from the pipe or tank ensure that pipe or tank is empty and not under pressure.
- Liability for injury or damage caused by incorrect use of the device lies solely with the user.
- Depending on the application, the metallic part of the instrument may be hot or cold.
- If media detection or non-detection by the level switch could generate a hazard the SIL version and specific instructions described in the safety manual (periodic proof test) should be used. The SIL safety manual can be downloaded from Danfoss web site or by scanning the QR code below.

For further documents (Data sheet, SIL2 safety manual etc.) scan this QR code:



Danfoss A/S, 6430 Nordborg, Denmark  
www.danfoss.com



### Danfoss A/S

Climate Solutions • danfoss.com • +45 7488 2222

Any information, including, but not limited to information on selection of product, its application or use, product design, weight, dimensions, capacity or any other technical data in product manuals, catalogues descriptions, advertisements, etc. and whether made available in writing, orally, electronically, online or via download, shall be considered informative, and is only binding if and to the extent, explicit reference is made in a quotation or order confirmation. Danfoss cannot accept any responsibility for possible errors in catalogues, brochures, videos and other material. Danfoss reserves the right to alter its products without notice. This also applies to products ordered but not delivered provided that such alterations can be made without changes to form, fit or function of the product.

All trademarks in this material are property of Danfoss A/S or Danfoss group companies. Danfoss and the Danfoss logo are trademarks of Danfoss A/S. All rights reserved.