

Vickers[®] by Danfoss

Vane Pumps

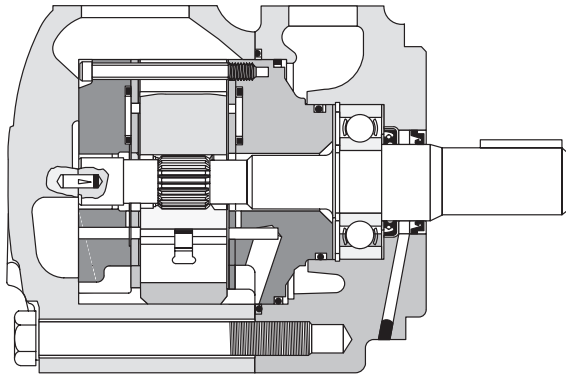
ENGINEERING
TOMORROW



Vane Type Single Pump

25/26/30/31 VQ Series - 20 Design

AX438768117869en-000101



⊖ TO REVERSE CARTRIDGE KIT ROTATION, REMOVE THE TWO (2) 413834 SCREWS, AND REVERSE THE LOCATION OF THE INLET SUPPORT PLATE 430805 AND OUTLET SUPPORT PLATE 419079. REINSTALL THE TWO (2) SCREWS HAND TIGHT. USE PUMP COVER TO ALIGN ALL SECTIONS OF THE CARTRIDGE. REMOVE COVER CAREFULLY AND TIGHTEN SCREWS TO 50 LB. IN. TORQUE.

□ WIPE O.D. OF SEAL WITH OIL BEFORE PRESSING INTO BODY. APPLY GREASE TO SEAL I.D. BEFORE INSTALLATION OF SHAFT.

▲ INCLUDED IN SINGLE SHAFT SEAL KIT 920021 F3 EQUIVALENT 920023

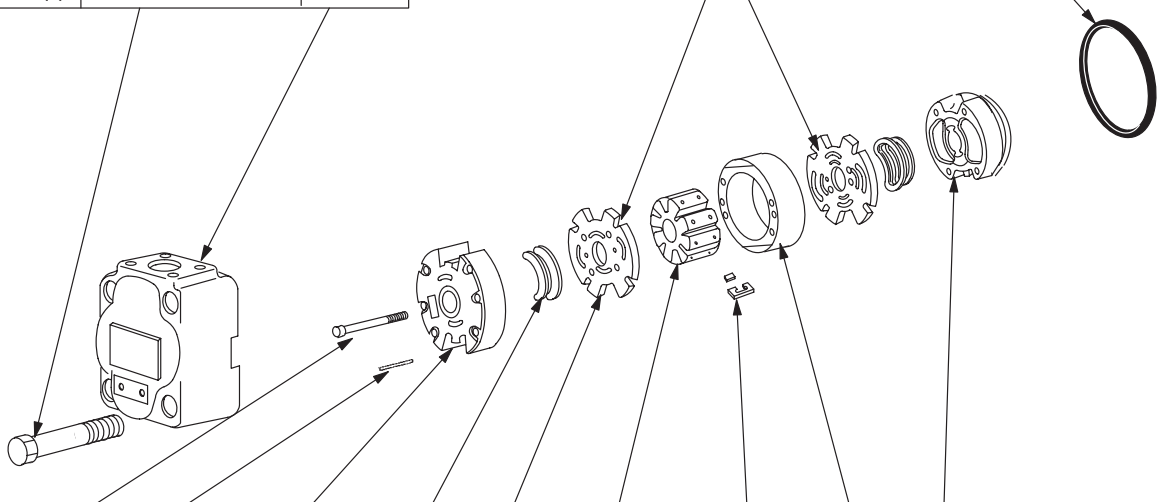
▲△ INCLUDED IN DOUBLE SHAFT SEAL KIT 920022 F3 EQUIVALENT 920024

* INCLUDED IN CARTRIDGE KIT

MODEL DESIGNATION	SCREW (4 REQ 'D) (TORQUE TO 65-75 LB. FT)	COVER
2*VQ*A/C-(*)***-20(*)	96168	224309
2*VQ*B/D-(*)***-20(*)		242215
3*VQ*A/C-(*)***-20(*)	119805	224526
3*VQ*B/D-(*)***-20(*)		242214

NOTE
BRONZE FACES MUST BE INSTALLED TOWARD THE ROTOR.

*▲ 154095 "O-RING "



CAPACITY (USGPM)	SCREW (2 REQ 'D)	PIN (2 REQ 'D)	INLET SUPPORT PLATE	▲ SEAL PACK (4 REQ 'D)	FLEX-SIDE PLATE KIT	ROTOR	VANE KIT (10 VANES & 10 INSERTS)	RING	OUTLET SUPPORT PLATE	CART. KIT	F3 CART. KIT
THESE PARTS ARE INCLUDED IN CARTRIDGE KIT											
2*VQ12A	41384	422207	430805 (INCLUDES BUSHING)	433764 S/A	923956	270597	922710	326984	419079	416439	421570
2*VQ14A								326985		416440	421571
2*VQ17A								326986		416441	421572
2*VQ19A								326987		421232	421573
2*VQ21A								326988		416442	421574
3*VQ24A	41654					262152	922648	234470	417052	421645	
3*VQ28A							224525	416452	421646		



WARNING: USE THIS FOR PARTS INFORMATION ONLY. SEE OVERHAUL MANUAL I-3144-S FOR MAINTENANCE INFORMATION.

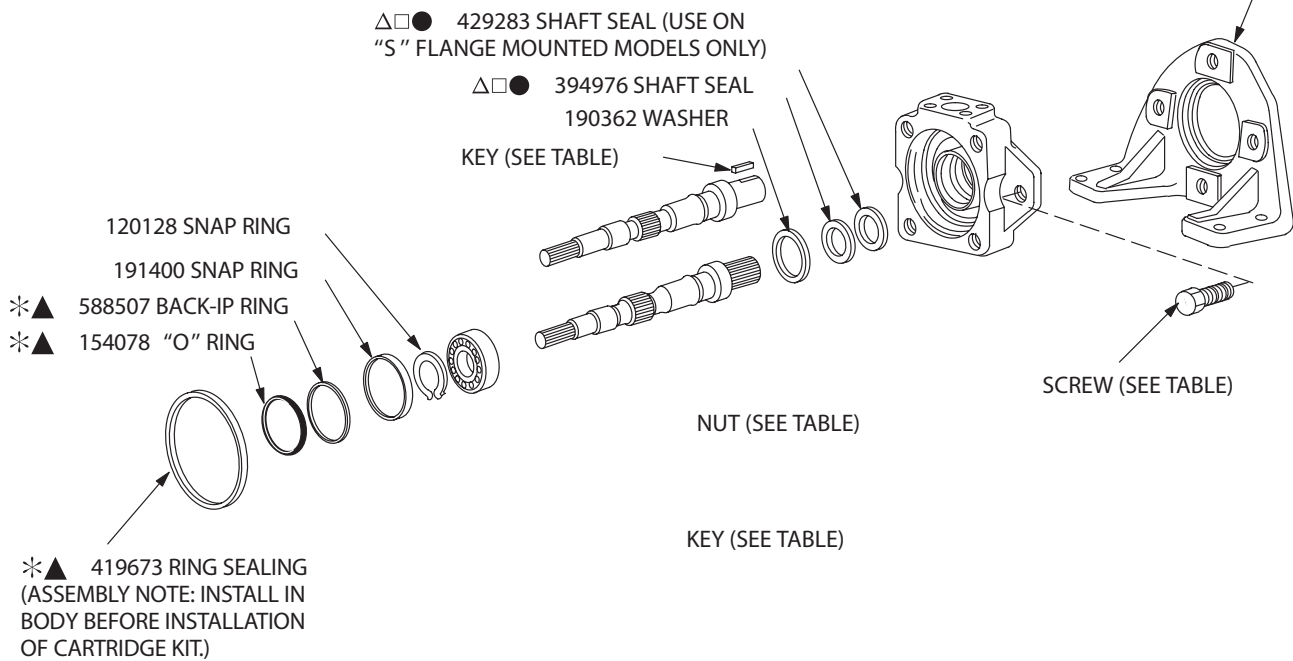
○ ASSEMBLE SEAL WITH SPRING LOADED SEALING MEMBER TOWARD BEARING.

● ASSEMBLE SEAL FLUSH WITH PILOT FACE WITH SPRING LOADED SEALING MEMBER FACING INWARD AS SHOWN.

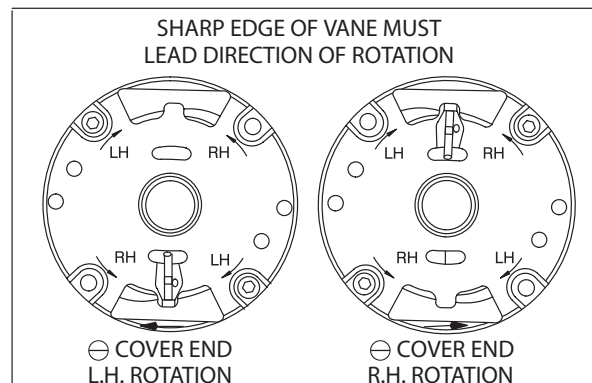
MODEL	TYPE DUTY	BEARING
25VO	STANDARD	1705
26VQ	HEAVY DUTY	232750
30VQ	STANDARD	1705
31VQ	HEAVY DUTY	232750

BODY S/A	MODEL
942353	2*VQA/D-**-20
942378	2*VQB/C-**-20
942354	3*VQA/D-**-20
942378	3*VQB/C-**-20

MOUNTING ASSEMBLY **VQ***F-**-20(L)		
INCLUDED IN MOUNTING KIT FB-B-10	SCREW (2 REQ 'D) 205533	MOUNTING BRACKET 199491

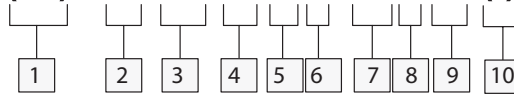


SHAFTS				KEY	NUT	TYPE
SINGLE SEAL MODELS		DOUBLE SEAL MODELS				
SHAFT NO.	PART NO.	SHAFT	PART NO.			
1	238755	—	—	9955	—	STRAIGHT, KEYED
3	242747	—	—	1617	18755	KEYED WITH NUT
6	242767	—	—	1617	—	KEYED SHAFT
11	238929	—	—	—	—	SPLINE
86	478826	—	—	3418	—	STRAIGHT, KEYED, HEAVY DUTY



Model Code

(F3) - ** VQ ** A * - * 20 (*)**



1 Viton Seals

(Omit if not required.)

2 Series

25, 26, 30, 31

3 Vane Type

4 SAE Rated Capacity

(Rating @ 1200 RPM - 100 psi)
See Capacity (USgpm)
See Table Inside

5 Port Connections

Code	Inlet Connection	Outlet Connection
A	SAE 4-Bolt	SAE 4-Bolt
B	SAE Str. Thd.	SAE Str. Thd.
C	SAE 4-Bolt	SAE Str. Thd.
D	SAE Str. Thd.	SAE 4-Bolt

7 Shafts

See Table Inside

8 Port Positions

See Chart Below

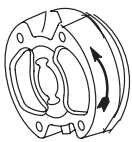
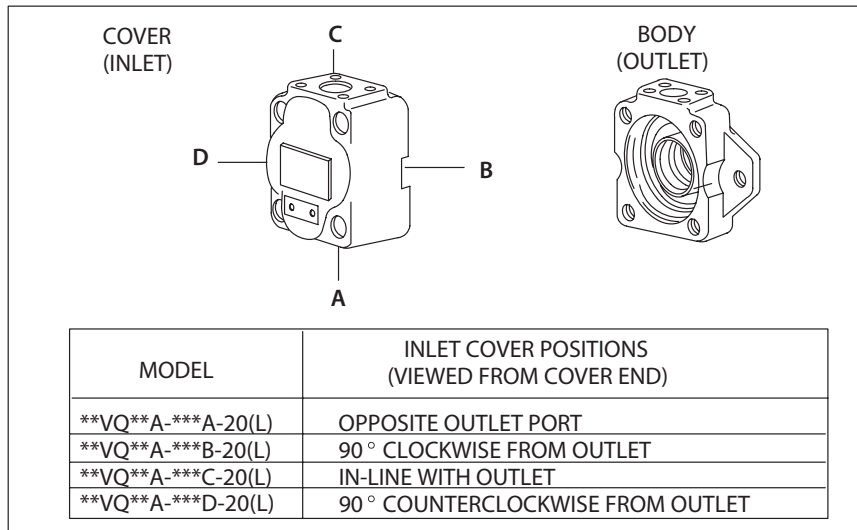
6 Mounting & Shaft Seals Assembly

F - Foot (Single Shaft Seal Assy.)
S - Flange (Double Shaft Seal Assy.)
Omitted- Flange (Single Shaft Seal Assy.)

9 Design

10 Rotation

(Viewed from Shaft End)
L - Left Hand (CCW Rotation)
Omitted - Right Hand Rotation



PARTS ORDERING

PARTS ARE THE SAME FOR BOTH RIGHT AND LEFT HAND ROTATION, WHEN ORDERING SPARE CARTRIDGE PARTS, IT IS RECOMMENDED THEY BE OBTAINED IN CARTRIDGE KITS. KITS ARE ASSEMBLED AND TESTED FOR EITHER RIGHT OR LEFT HAND ROTATION. IF LEFT HAND ROTATION IS REQUIRED, IT SHOULD BE SPECIFIED ON PARTS ORDER BY ADDING SUFFIX "L" TO KIT NUMBER. FOR EXAMPLE, 416439-L.

For satisfactory service life of these components, use full flow filtration to provide fluid which meets ISO cleanliness code 18/16/13 or cleaner. Selections from pressure, return, and in-line filter series are recommended.

Products we offer:

- Cartridge valves
- DCV directional control valves
- Electric converters
- Electric machines
- Electric motors
- Gear motors
- Gear pumps
- Hydraulic integrated circuits (HICs)
- Hydrostatic motors
- Hydrostatic pumps
- Orbital motors
- PLUS+1® controllers
- PLUS+1® displays
- PLUS+1® joysticks and pedals
- PLUS+1® operator interfaces
- PLUS+1® sensors
- PLUS+1® software
- PLUS+1® software services, support and training
- Position controls and sensors
- PVG proportional valves
- Steering components and systems
- Telematics

Danfoss Power Solutions is a global manufacturer and supplier of high-quality hydraulic and electric components. We specialize in providing state-of-the-art technology and solutions that excel in the harsh operating conditions of the mobile off-highway market as well as the marine sector. Building on our extensive applications expertise, we work closely with you to ensure exceptional performance for a broad range of applications. We help you and other customers around the world speed up system development, reduce costs and bring vehicles and vessels to market faster.

Danfoss Power Solutions – your strongest partner in mobile hydraulics and mobile electrification.

Go to www.danfoss.com for further product information.

We offer you expert worldwide support for ensuring the best possible solutions for outstanding performance. And with an extensive network of Global Service Partners, we also provide you with comprehensive global service for all of our components.

Local address:

Hydro-Gear

www.hydro-gear.com

Daikin-Sauer-Danfoss

www.daikin-sauer-danfoss.com

**Danfoss
Power Solutions (US) Company**
2800 East 13th Street
Ames, IA 50010, USA
Phone: +1 515 239 6000

**Danfoss
Power Solutions GmbH & Co. OHG**
Krokamp 35
D-24539 Neumünster, Germany
Phone: +49 4321 871 0

**Danfoss
Power Solutions ApS**
Nordborgvej 81
DK-6430 Nordborg, Denmark
Phone: +45 7488 2222

**Danfoss
Power Solutions Trading
(Shanghai) Co., Ltd.**
Building #22, No. 1000 Jin Hai Rd
Jin Qiao, Pudong New District
Shanghai, China 201206
Phone: +86 21 2080 6201