



- Features :
  - 2:1 wide input range
  - 4:1 wide input range(option)
  - 1500VDC I/O isolation
  - Built-in EMI filter
  - Remote ON-OFF control
  - Protections: Short circuit / Overload
  - Cooling by free air convection
  - Six-sided shield metal case
  - Epoxy encapsulated
  - 100% burn-in test
  - Approvals: FCC / EAC / CE / UKCA
  - 2 years warranty

■ GTIN CODE

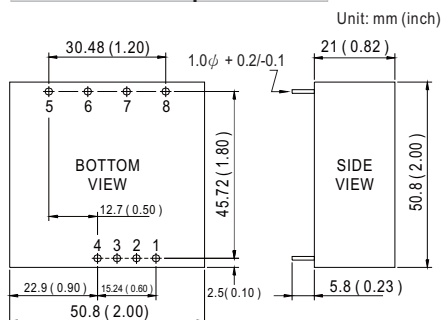
MW Search: <https://www.meanwell.com/serviceGTIN.aspx>



SPECIFICATION

ORDER NO.	TKA30A-B	TKA30B-B	TKA30C-B	TKA30A-C	TKA30B-C	TKA30C-C
OUTPUT	DC VOLTAGE	+5V	±12V	+5V	±15V	
	CURRENT RANGE	700 ~ 3500mA	±62 ~ ±310mA	700 ~ 3500mA	±50 ~ ±250mA	
	RATED POWER	25W				
	RIPPLE & NOISE (max.) Note.2	100mVp-p				
	LINE REGULATION Note.3	±0.5%	±1.0%	±1.0%	±0.5%	±1.0%
	LOAD REGULATION Note.4	+5V: ±2.0%, ±V <sub>i</sub> : ±5.0%				
	VOLTAGE ACCURACY	+5V: ±2.0%, ±V <sub>i</sub> : ±5.0%				
	SWITCHING FREQUENCY	100KHz min.				
INPUT	VOLTAGE RANGE	A: 9 ~ 18VDC B: 18~36VDC C: 36~72VDC				
	EFFICIENCY (Typ.)	80%	82%	82%	80%	82%
	DC CURRENT	Full load A: 2.61A B: 1.27A C: 0.64A No load A: 40mA B: 18mA C: 10mA				
	FILTER	Pi network				
	PROTECTION	Fuse recommended				
PROTECTION (Note. 5)	OVERLOAD	110 ~ 250% rated output power Protection type : Hiccup mode, recovers automatically after fault condition is removed				
	SHORT CIRCUIT	All output equipped with short circuit Protection type : Hiccup mode, recovers automatically after fault condition is removed				
ENVIRONMENT	WORKING TEMP.	-40 ~ +85°C (Refer to "Derating Curve")				
	WORKING HUMIDITY	20% ~ 90% RH non-condensing				
	STORAGE TEMP., HUMIDITY	-40 ~ +105°C, 10 ~ 95% RH				
	TEMP. COEFFICIENT	±0.03% / °C (0 ~ 50°C)				
	VIBRATION	10 ~ 500Hz, 2G 10min./1 cycle, period for 60min. each along X, Y, Z axes				
SAFETY & EMC	SAFETY STANDARDS	EAC TP TC 020/2011 approved				
	WITHSTAND VOLTAGE	I/P-O/P:1.5KVDC				
	ISOLATION RESISTANCE	I/P-O/P: 100M Ohms / 500VDC / 25°C / 70% RH				
	EMC EMISSION	Compliance to BS EN/EN55032 Class B, FCC part 15 Class B, EAC TP TC 020				
	EMC IMMUNITY	Compliance to BS EN/EN61000-4-2,3,4,5,6,8, light industry level, criteria A, EAC TP TC 020				
OTHERS	REMOTE CONTROL	Power on: R.C ~ -Vin > 4.5~5.5VDC or open, Power off: R.C~ -Vin < 0.8VDC or short				
	MTBF	100Khrs min. MIL-HDBK-217F(25°C)				
	DIMENSION	50.8*50.8*21.0mm or 2"*2"*0.82" inch (L*W*H)				
	PACKING	110g ; 5pcs/per tube, 140pcs/28 tube/per carton				

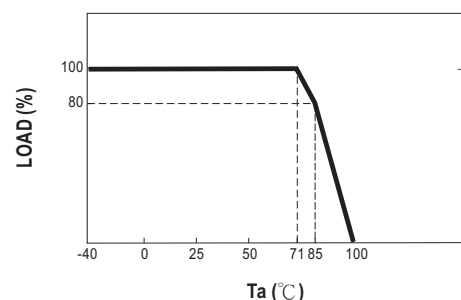
■ Mechanical Specification



■ Pin Configuration

Pin No.	Output
1	R.C
2	No Pin
3	-Vin
4	+Vin
5	+Vout
6	+5V
7	COM
8	-Vout

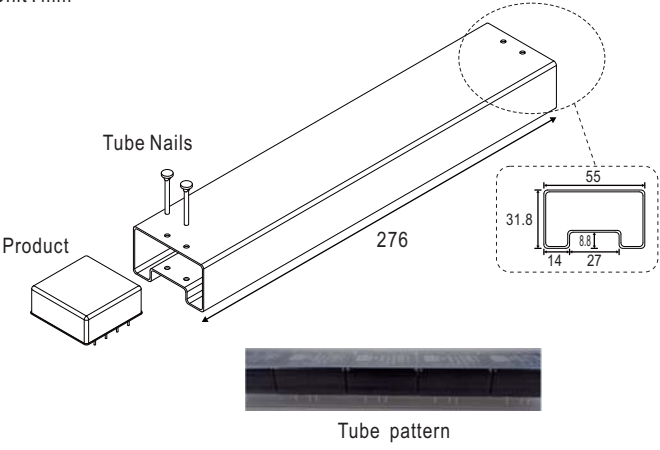
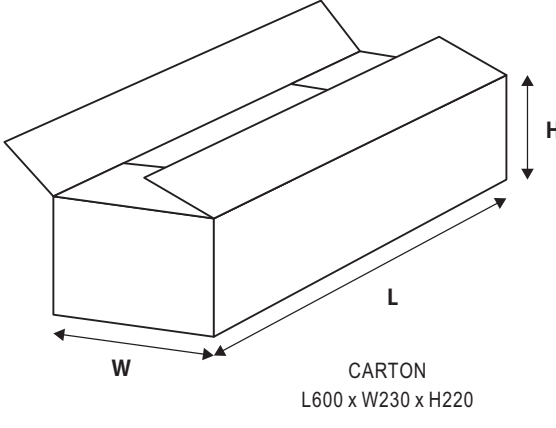
■ Derating Curve



NOTE

- All parameters are specified at normal input, rated load, 25°C 70% RH ambient.
  - Ripple & noise are measured at 20MHz by using a 12" twisted pair terminated with a 0.1uf & 47uf capacitor.
  - Line regulation is measured from low line to high line at rated load.
  - Load regulation is measured from 20% to 100% rated load.
  - Please prevent the converter from operating in overload or short circuit condition for more than 30 seconds.
- ※ Product Liability Disclaimer : For detailed information, please refer to <https://www.meanwell.com/serviceDisclaimer.aspx>

■ Packing

Standard Tube Packing	MPQ Per Tube (PCS)	One Tube G.W.	Max. Q'TY/ Carton(PCS)	One Carton G.W.
<p>Unit : mm</p>  	5	600g	140	17.6Kg

■ Installation Manual

Please refer to : <http://www.meanwell.com/manual.html>