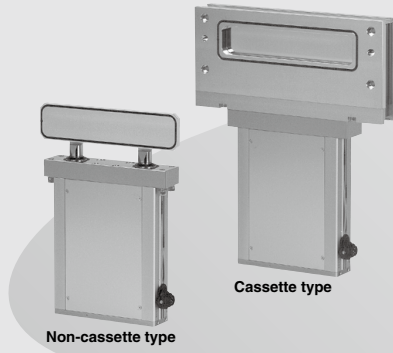
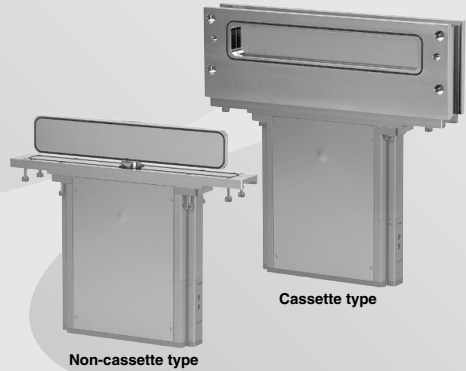


Slit Valve

XGT Series



For 200 mm wafer



For 300 mm wafer

■ **Low particle generation**

L motion

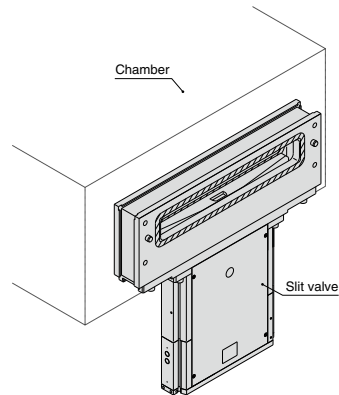
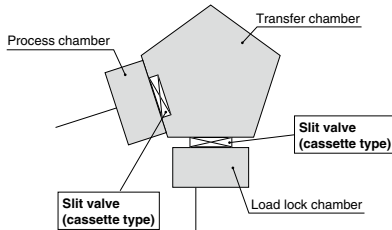
■ **With end lock mechanism**

Can be held open/close of the gate when emergency stop.

■ **Service life of two million cycles.**

* With SMC's life conditions.

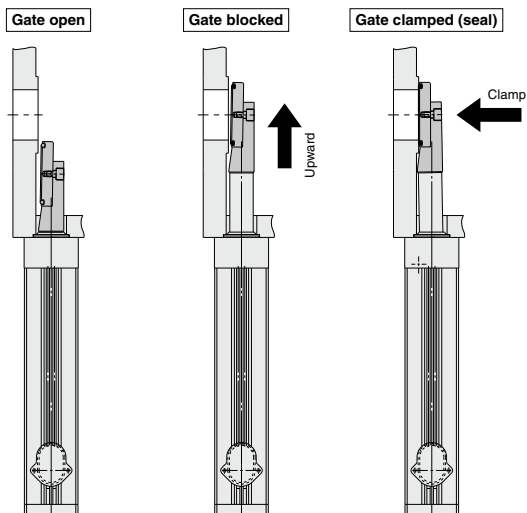
This product is suitable for the partition valve between the load lock chamber and the transfer chamber or between the transfer chamber and the process chamber in semiconductor equipment or other equipment.



- XLA
- XL□
- XL□Q
- XM□
- XY□
- D-□
- XSA
- XVD
- XGT**
- CYV

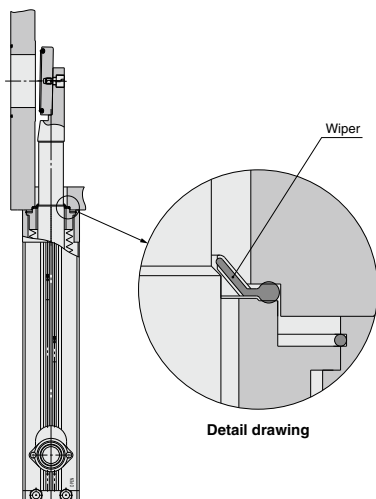
L motion structure

Gate construction for two-stage operation consisting of a direct up and down movement and a clamp operation to seal the gate.



Bellows protection structure

The adoption of a wiper decreases the intrusion of foreign objects, resulting from water damage and or other sources.



Slit Valve XGT Series



How to Order

XGT 22 2 - 46236 - 1 C

High vacuum slit valve

Valve size

Symbol	Number of axis	Applicable wafer size
22	Two axes bellows	200 mm
31	One axis bellows	300 mm

Auto switch and the connector
(Refer to the table below)

Gate O-ring material

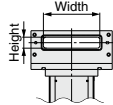
Symbol	Material
1	FKM
2	Kalrez® 4079*1
F1	FKM*2
F2	Kalrez® 4079*1, 3, 4

- *1 Kalrez® 4079 is a registered trademark of E. I. du Pont de Nemours and Company or its affiliates.
- *2 Specifications equivalent to the standard FKM O-ring (From another manufacturer)
- The O-rings of vacuum parts which come in contact with gas have the same specifications.
- *3 Aside from the gate O-ring, the O-rings of vacuum parts which come in contact with gas have the same specifications as the standard FKM O-ring.
- *4 There is no "XGT221□□-F2□□."

Opening window size

Symbol	Height x width (mm)	Applicable wafer size
32222 ^{Note)}	32 x 222	200 mm
46236	46 x 236	300 mm
50336	50 x 336	300 mm

Note) Neither cassette type Half MESK nor cassette type Full MESK are set.



Valve type

Symbol	Valve type			
	1 Non-cassette type	2 Cassette type Standard	3 Cassette type Half MESK	4 Cassette type Full MESK
Valve type				
Applicable wafer size	200 mm 300 mm	● ●	● ●	● —



Made to Order specifications
(For details, refer to page 534.)

Non-cassette type



For 200 mm wafer



For 300 mm wafer

Cassette type



For 200 mm wafer



For 300 mm wafer

Auto switch and connector

Symbol	Auto switch	Connector
Nil	None	—
A	D-A93 (With 2 pcs. for opening and closing)	Lead wire: 0.5 m (without connector)
C		With multiple connector ^{Note 1)} (C016 30C006 10012: Made by AMP)
F		With D-sub connector ^{Note 2)} (CDE-9PF05: Made by HIROSE ELECTRIC CO., LTD.)

Note 1) C016 30D006 10012 made by AMP is recommended for the connector (female type).
Note 2) CDE-9SF05 made by HIROSE ELECTRIC CO., LTD. is recommended for the connector (female type).

XLA

XL□

XL□Q

XM□

XY□

D-□

XSA

XVD

XGT

CYV

Specifications

Model	XGT22□-32222	XGT22□-46236	XGT31□-50336
Wafer size (mm)	200		300
Opening window size (Height x Width) (mm)	32 x 222	46 x 236	50 x 336
Number of axes	2		1
Operating environmental pressure ^{Note 1)} (Pa) (abs)	Atmospheric pressure to 10 ⁻⁵		
Operating pressure differential (kPa)	4 or less		
Operating pressure range (MPa) (G)	0.45 to 0.6		
Internal leak ^{Note 2)} (Pa·m ³ /s)	O-ring: FKM	6.5 x 10 ⁻¹⁰	
	O-ring: Kalrez [®]	6.5 x 10 ⁻⁹	
Internal leak ^{Note 2)} (Pa·m ³ /s) at reversed pressure [Reversed pressure: 0.1 MPa (abs) or less]	O-ring: FKM	6.5 x 10 ⁻⁸	
	O-ring: Kalrez [®]	6.5 x 10 ⁻⁷	
External leak ^{Note 2)} (Pa·m ³ /s)	6.5 x 10 ⁻¹¹		
Operation temperature ^{Note 3)} (°C)	Gate part	5 to 150	
	Actuator part	5 to 60	
Fluid	Inert gas		
Operating time ^{Note 4)} (s)	0.6 to 1		
Main material of vacuum part	Seal material	FKM, Kalrez [®] 4079 (Option) ^{Note 6)}	
	Bellows	AM350	
	Gate	A6063	
	Body	A5052	
	Bonnet	A5052	
	Others	Stainless steel 304	
Exhaust direction	Free		
Mounting direction	Vertical		
Port size	M5 x 0.8		Rc 1/8
End-lock mechanism	With lock mechanism at opening/closing position ^{Note 5)}		
Cylinder volume (L)	0.12		0.2
Weight (kg)	Non-cassette type	14	
	Cassette type: Standard	20	
	Cassette type: Half MESK	—	20
	Cassette type: Full MESK	—	11

Note 1) Absolute pressure

Note 2) Value at normal temperature: Not including gas permeation.

Note 3) If the temperature at the gate exceeds 60°C, the operating temperature at actuator may go beyond the range. In this case, cool the actuator part.

Note 4) This shows the time after the switching valve activates and causes the gate to open and close.

Note 5) The holding function of the seal is not guaranteed when the gate is clamped.

Note 6) Kalrez[®] is a registered trademark of E. I. du Pont de Nemours and Company or its affiliates.


Auto switch specifications

Auto switch type	D-A93	
Applicable load	Relay, PLC	
Load voltage	24 VDC	100 VAC
Load current range and maximum load current	5 to 40 mA	5 to 20 mA
Contact protection circuit	None	
Internal voltage drop	2.4 V or less (to 20 mA) / 3 V or less (40 mA)	
Indicator light	Red light emitting diode (LED) lights up when ON.	

D-sub connector specifications

Description	Slit valve body side		Counter side
	Contacting division	Pin (male type)	
D-sub connector	Shell size		E
	Poles		9

Prepare the socket contacting (female type) because the slit valve body is a pin contacting (male type).

 The product should be operated after thoroughly reading the manual and understanding its contents.

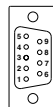
Connector wiring diagram

C: Multiple connector (6P)



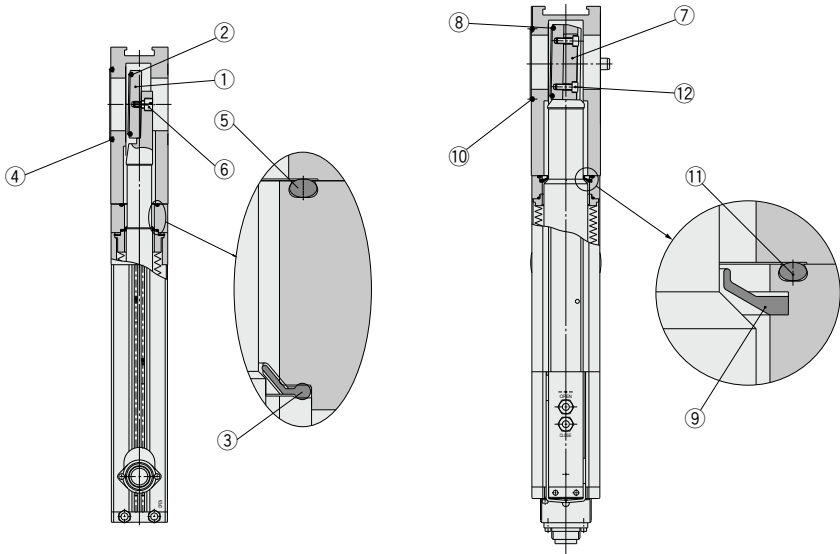
Terminal item no.	Lead wire color	Auto switch
1	Blue	OPEN (-)
2	Brown	OPEN (+)
3	—	—
4	—	—
5	Brown	CLOSE (+)
6	Blue	CLOSE (-)

F: D-sub connector (9P)



Terminal item no.	Lead wire color	Auto switch
1	Blue	OPEN (+)
2	Brown	CLOSE (+)
3	—	—
4	—	—
5	—	—
6	—	—
7	Blue	OPEN (-)
8	Blue	CLOSE (-)
9	—	—

Construction



XGT22
For 200 mm wafer

XGT31
For 300 mm wafer

Component Parts

XGT22 (200 mm wafer type)

No.	Description	Material	Part number	Corresponding model
1	Gate	A6063	XGT0101-2-1S	XGT22-32222-□□
			XGT0402-2-1S	XGT22-46236-□□
2	O-ring (Gate)	FKM	XGT200-9-13S	
		FKM (Equivalent to the standard FKM O-ring)	XGT200-9-13-F1S	XGT22-32222-□□
		Kalrez®4079	XGT200-9-14S	
		FKM	XGT200-9-7S	
		FKM (Equivalent to the standard FKM O-ring)	XGT200-9-7-F1S	XGT22-46236-□□
3	Gasket	FKM	XGT200-4-9S	XGT22-□-□□□
		FKM	XGT200-9-12S	XGT222-32222-□
4	O-ring (Body opening side)			XGT222-46236-□
		FKM (Equivalent to the standard FKM O-ring)	XGT200-9-12-F1S	XGT223-46236-□
				XGT224-46236-□
5	O-ring (Bonnet assembly)	FKM	XGT200-9-11S	XGT222-32222-□
		FKM (Equivalent to the standard FKM O-ring)	XGT200-9-11-F1S	XGT222-46236-□
6	Holding bolt			XGT223-46236-□
		Stainless steel 304	XGT200-2-5S	XGT22-□-□□□

XGT31 (300 mm wafer type)

No.	Description	Material	Part number	Corresponding model
7	Gate	A6063	XGT300-2-1S	
		FKM	XGT300-9-9S	
8	O-ring (Gate)	FKM (Equivalent to the standard FKM O-ring)	XGT300-9-9-F1S	
		Kalrez®4079	XGT300-9-11S	
9	Wiper	FKM	XGT300-4-9S	XGT31-50336-□□
10	O-ring (Body opening side)	FKM	XGT300-9-10S	
		FKM (Equivalent to the standard FKM O-ring)	XGT300-9-10-F1S	
11	O-ring (Bonnet assembly)	FKM	XGT300-9-7S	
		FKM (Equivalent to the standard FKM O-ring)	XGT300-9-7-F1S	
12	Holding bolt	Stainless steel 316	XGT300-2-5S	

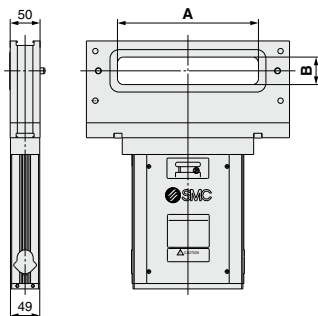
* Kalrez® is a registered trademark of E. I. du Pont de Nemours and Company or its affiliates.

- XLA**
- XL**□
- XL**□□
- XL**□□
- XM**□
- XY**□
- D**-□
- XSA**
- XVD**
- XGT**
- CYV**

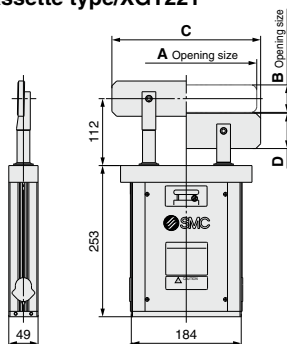
XGT Series

Dimensions

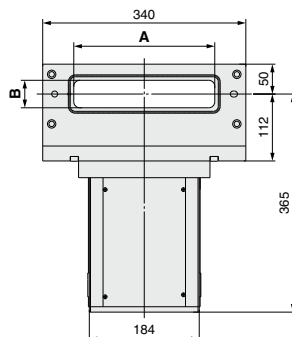
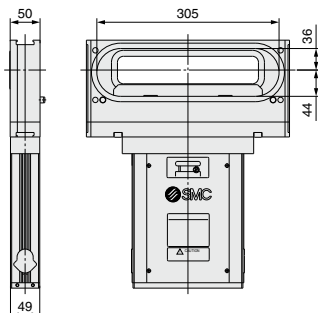
Cassette type Standard/XGT222



Non-cassette type/XGT221

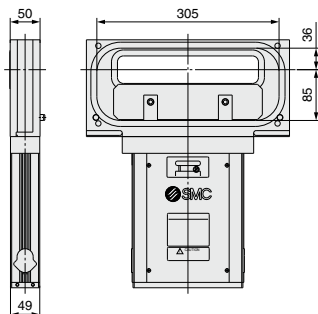


Cassette type Half MESK/XGT223



Valve seat side (XGT222, 223, and 224 common)

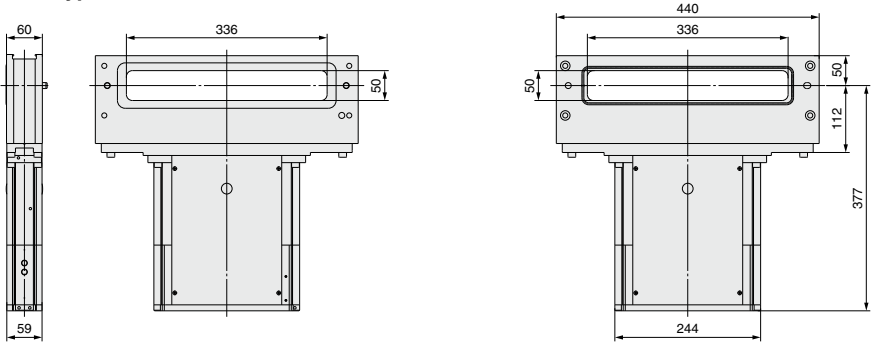
Cassette type Full MESK/XGT224



Model	Valve type	A	B	C	D
XGT221-32222	Non-cassette type	222	32	235	45
XGT221-46236		236	46	249	59
XGT222-32222	Cassette type Standard	222	32	—	—
XGT222-46236		236	46	—	—
XGT223-46236	Cassette type Half MESK	236	46	—	—
XGT224-46236	Cassette type Full MESK	236	46	—	—

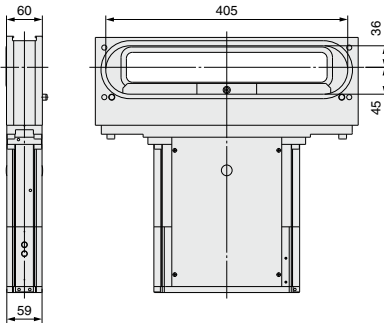
Dimensions

Cassette type standard/XGT312

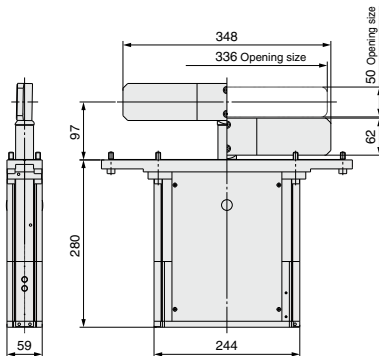


Valve seat side (XGT312, 313, and 311 common)

Cassette type half MESK/XGT313



Non-cassette type/XGT311



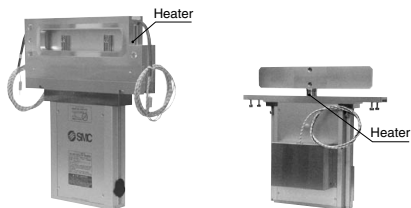
XLA
XL □
XL □Q
XM □
XY □
D -□
XSA
XVD
XGT
CYV

Made to Order Specifications:

Please contact SMC for detailed dimensions, specifications and lead times.



1 With Built-in Heater (Up to 150°C) * 120°C for the actuator portion



With heater on cassette

With heater on shaft

2 High Temperature Type (150°C) * 120°C for the actuator portion

O-ring, guide etc. which is the part of actuator are changed to heat resistance.

3 Holding Function of the Seal (When Operating Pressure is Stopped)

Sealing is maintained when operating pressure is stopped.

4 Anodized Parts

The parts which come in contact with gas (oxalic acid aluminum alloy, stainless steel etc.) is changed.

5 Replaceable Bellows

Customer can replace bellows.

For 300 mm wafer

Parallel Seal Type Slit Valve

New

RoHS

Long service life

3 million cycles
(at ordinary temperature)

Maintenance

Replaceable bellows
Top accessible (Made to order)

Air saving *Made to order*

Air consumption reduced by 22%
Low pressure operation possible during normal operation
(when back pressure is absent.)

Operating environmental pressure
Atmospheric pressure to 1.0×10^{-6} Pa (abs)

Low particle generation

Reduced by 1/5 or more
(compared with the current product)

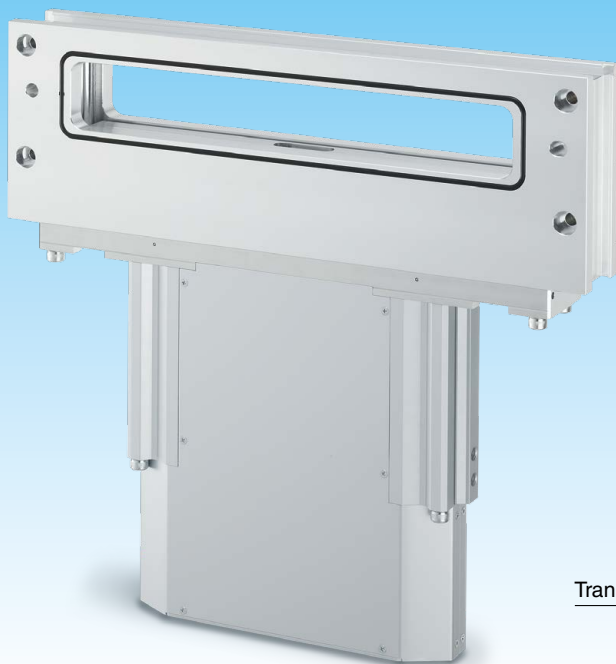
Safety measures

Mechanical end lock mechanism is adopted.
Gate is held in opened or closed position in case of emergency stop.

Lightweight

14 kg
(For cassette type)

Opening window size
50 mm x 336 mm



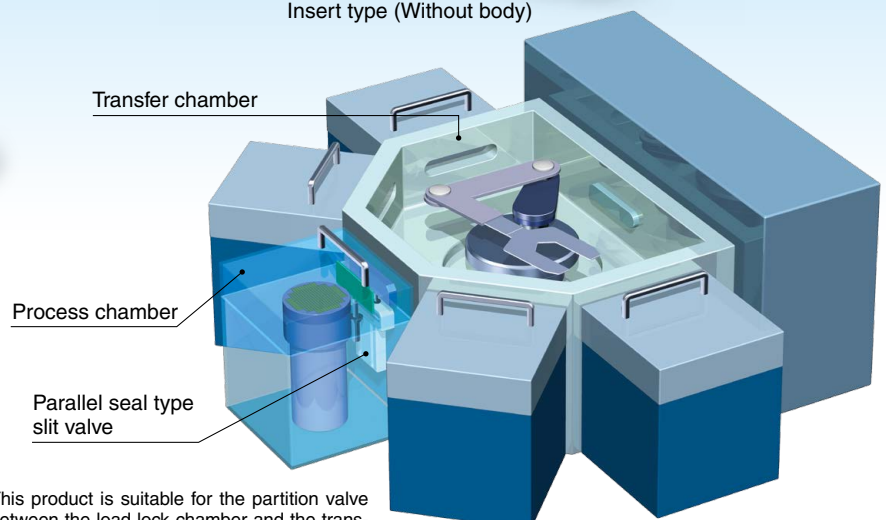
Cassette type (Standard)



Insert type (Without body)

Seal material:
FKM/Kalrez® 4079

* Kalrez® is a registered trademark of E. I. du Pont de Nemours and Company or its affiliates.



Interchangeable with the current XGT product

XGTP Series

This product is suitable for the partition valve between the load lock chamber and the transfer chamber or between the transfer chamber and the process chamber in semiconductor equipment or other equipment.

SMC

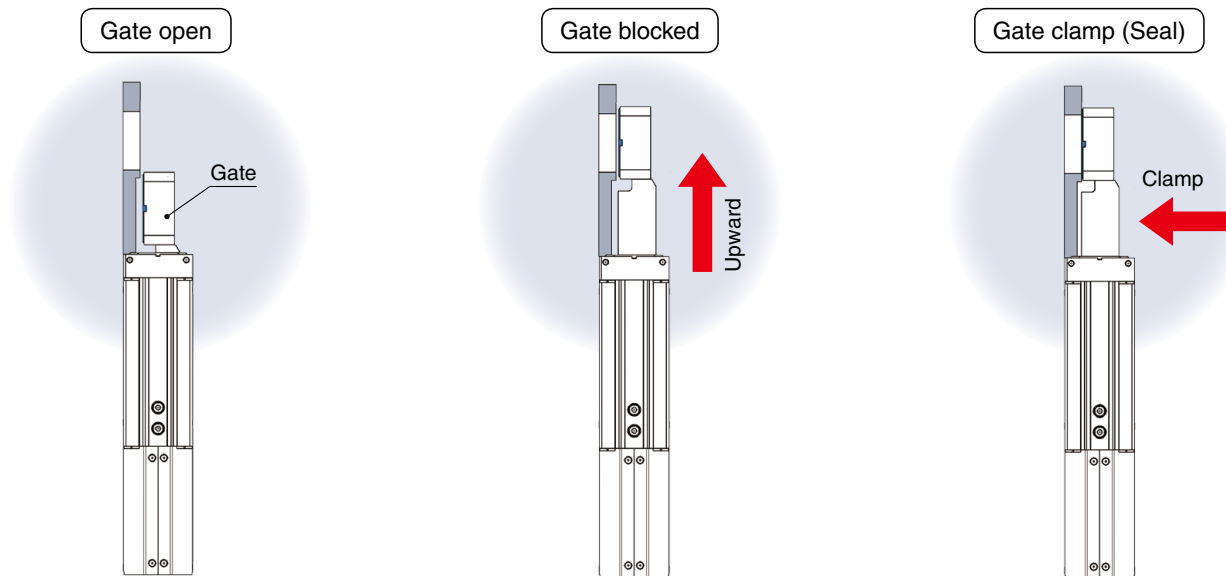
CAT.ES140-9A [Ⓐ]

Low particle generation

Longer service life

Parallel sealing motion is used.

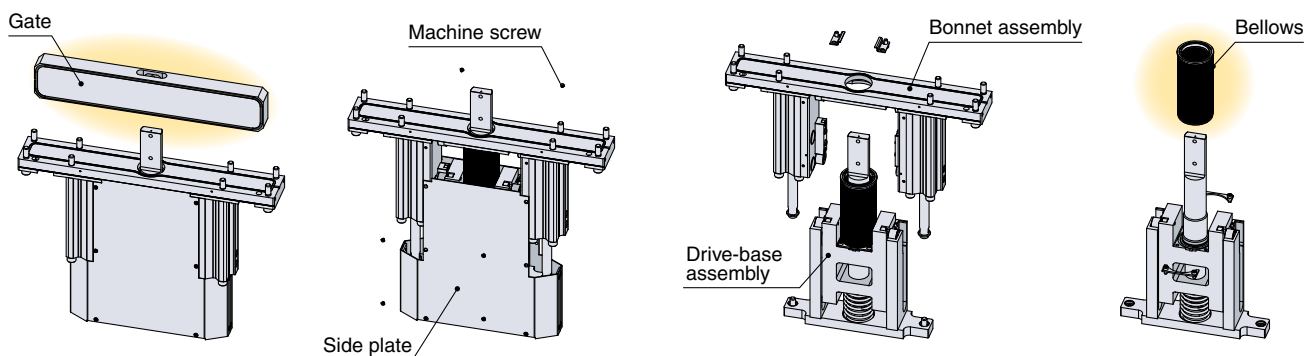
The gate moves vertically upward and downward, gate sealing/clamping is made with a parallel motion.



Easier maintenance

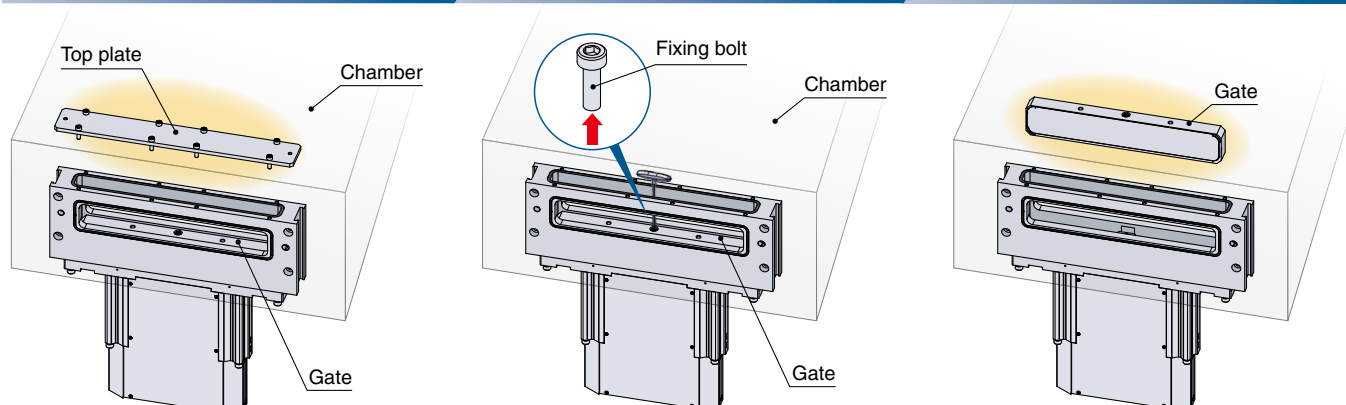
Easy replacement of bellows

- 1 Remove the gate.
- 2 Remove the side plates.
- 3 Remove the bonnet assembly from the drive-base assembly.
- 4 Replace the bellows.



Gate can be replaced from above. Made to order

- 1 Remove the top plate.
- 2 Remove the fixing bolt.
- 3 Remove the gate from the body for replacement.



Related Products

N₂ Gas/Air Supply Line

- Clean gas filter SF□
- Regulator for ultra high purity AP1000/AP1100/AP1500
- Digital pressure switch ISE20C(H)
- Smooth vent valve XVD
- High vacuum solenoid valve XSA



Exhaust Line

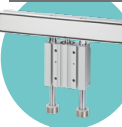
- High vacuum angle valve XL□
- Turbo-molecular pump
- High vacuum rubber seal angle valve XLF



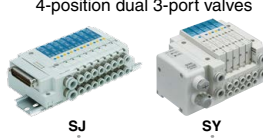
Free mount cylinder for vacuum ZCUK



Door valve/XGD
Made to order



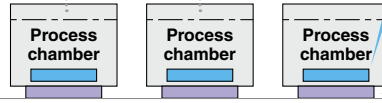
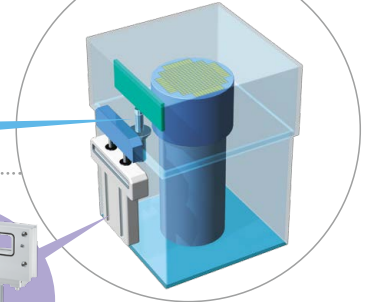
For driving air operated valves
4-position dual 3-port valves



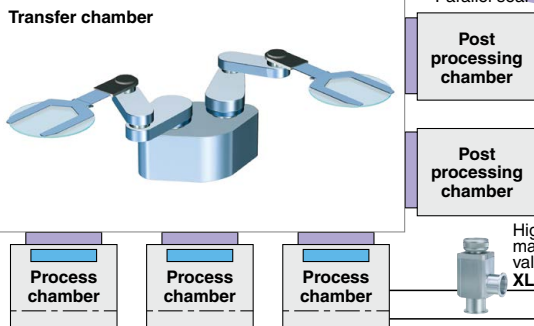
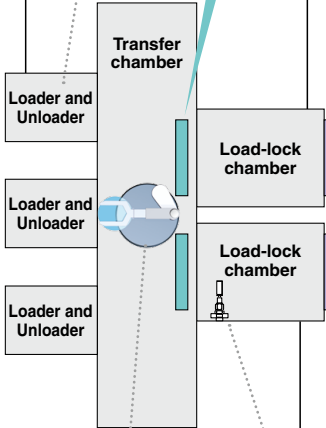
Bellows cylinder
Made to order



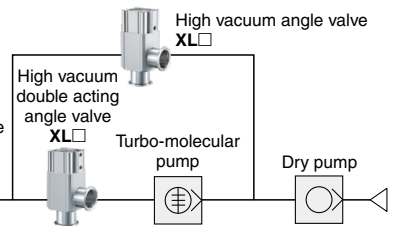
Process chamber



Parallel seal type slit valve/XGTP



Exhaust Line



Cooling Water Line

- Digital pressure switch ZSE20C(F)
- S Coupler KKA
- Filter for water FQ1
- Digital flow switch PF3W
- Digital pressure switch ISE20C(H)
- Clean regulator SR□
- Direct operated 2/3-port solenoid valve VDW/VX2



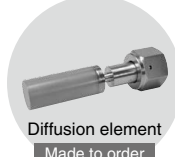
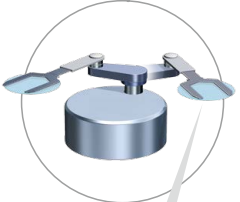
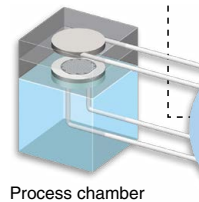
Temperature Adjustment Line

S Coupler KKA



Dual thermo-chiller
High-performance inverter type
HRZD

Thermo-chiller
High-performance inverter type
HRZ



Non-contact gripper
XT661-X260

Parallel Seal Type Slit Valve *XGTP Series*



Insert type (Without body) Cassette type (Standard)



How to Order

XGTP 3 1 2 - 50336 - 1 C

Parallel seal type slit valve

Applicable wafer size:
For 300 mm wafer

Number of axes and seal type:
One axis bellows

Valve type

Symbol	1	2	3
Valve type	Insert type (Without body)	Cassette type (Standard)	Cassette type (Half MESK)

Opening window size:
50 x 336 mm

Gate seal material

1	FKM
2	Kalrez® 4079*1
F1	FKM*2
F2	Kalrez® 4079*1, 3

*1 Kalrez® 4079 is a registered trademark of E. I. du Pont de Nemours and Company or its affiliates.

*2 Specifications equivalent to the standard FKM O-ring (From another manufacturer) The O-rings of vacuum parts which come in contact with gas have the same specifications.

*3 Aside from the gate O-ring, the O-rings of vacuum parts which come in contact with gas have the same specifications as the standard FKM O-ring.

End lock

Symbol	End lock
Nil	OPEN/CLOSE end lock
N	None

Auto switch and the connector

Symbol	Auto switch	Connector	Note
Nil	—	—	—
A	D-A93	—	Lead wire: 0.5 m Operating temperature range: 20°C to 60°C
C	D-A93	Multiple connector (AMP) *1	 Operating temperature range: 20°C to 60°C
F	D-A93	D-sub connector *2	 Operating temperature range: 20°C to 60°C

*1 C016 30D006 made by AMP is recommended for the connector (female type).

*2 CDE-9SF05 made by HIROSE ELECTRIC CO., LTD. is recommended for the connector (female type).



Made to Order For details, please contact SMC.

1 With Built-in Heater (Up to 150°C)

2 Heat Resistant Specification (150°C)

Heat resistant parts are used.

3 New Materials of the Gas Contact Parts

Oxalic acid anodized, Stainless steel, etc.

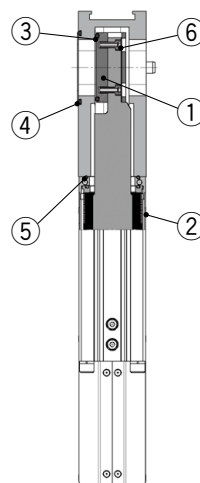
4 Special O-ring (Low particle generation)

FKM only (The leakage rate is different from the standard product.)

5 Variable Sealing Force

Sealing force in normal operation and maintenance can be varied via a suitable pneumatic control circuit (End lock mechanism is not available with this option).

Construction



Component Parts

No.	Description	Material	Part number
1	Gate	A6063	XGTP300-2-1S
2	Bellows	AM350	XGTP300-20AS
3	O-ring (Gate)	FKM	XGT300-9-9S
		FKM (Equivalent to the standard FKM O-ring)	XGT300-9-9-F1S
4	O-ring (Body opening side)	Kalrez® 4079	XGT300-9-11S
		FKM	XGT300-9-10S
5	O-ring (Bonnet assembly)	FKM (Equivalent to the standard FKM O-ring)	XGT300-9-10-F1S
		FKM	XGT300-9-7S
6	Holding bolt	Stainless steel 316	XGT300-2-5S (2 pcs.)

* Kalrez® is a registered trademark of E. I. du Pont de Nemours and Company or its affiliates.

For details on the specific product precautions, refer to the "Operation Manual" on the SMC website.

Specifications

Model		XGTP31□-50336
Wafer size [mm]		300
Opening window size (Height x Width) [mm]		50 x 336
Number of axes		1
Operating environmental pressure*1 [Pa] (abs)		Atmospheric pressure to 1.0×10^{-6}
Operating pressure differential [kPa]		4 or less
Operating pressure range [MPa] (G)		0.45 to 0.6
Internal leak*2 [Pa·m ³ /s]	O-ring: FKM	6.5×10^{-10}
	O-ring: Kalrez®	6.5×10^{-9}
Internal leak at reversed pressure*2 [Pa·m ³ /s] [Reversed pressure: 0.1 MPa (abs) or less]	O-ring: FKM	6.5×10^{-8}
	O-ring: Kalrez®	6.5×10^{-7}
External leak*2 [Pa·m ³ /s]		6.5×10^{-11}
Operating temperature*3 [°C]	Gate part	20 to 120/up to 150 (During bake-out)
	Actuator part	20 to 90 (Except auto switch)
Fluid		Inert gas
Operating time*4 [s]		0.6 to 1
Main material of vacuum part	Seal material	FKM, Kalrez® 4079 (Option)*5
	Bellows	Equivalent to AM350
	Gate	A6063
	Body	A5052
	Bonnet	A6061
	Others	Stainless steel 304
Exhaust direction		Free
Mounting direction		Vertical
Port size		Rc1/8
End lock mechanism		With lock mechanism in opened or closed position
Cylinder volume [L]		0.2
Weight [kg]	Insert type (Without body)	10
	Cassette type (Standard)	14
	Cassette type (Half MESK)	14

*1 Absolute pressure

*2 Value at normal temperature: Not including gas permeation

*3 If the temperature at the gate exceeds 90°C, the operating temperature at actuator may go beyond the range. In this case, cool the actuator part.

*4 This shows the time after the switching valve activates and causes the gate to open and close. (This may vary depending on the operating condition.)

*5 Kalrez® is a registered trademark of E. I. du Pont de Nemours and Company or its affiliates.

Auto Switch Specifications

Auto switch model	D-A93	
Applicable load	Relay, PLC	
Load voltage	24 VDC	100 VAC
Load current range and maximum load current	5 to 40 mA	5 to 20 mA
Contact protection circuit	None	
Internal voltage drop	2.4 V or less (to 20 mA)/3 V or less (40 mA)	
Indicator light	Red light emitting diode (LED) lights up when ON.	

* When the temperature exceeds 60°C, please use the heat resistant specification (made to order).

D-sub Connector Specifications

Description		XGTP (on side of actuating body)	Application control circuit side
D-sub connector	Connection type	Plug (male)	Socket (female)
	Shell size	E	
	Poles	9	

XGTP has Male Plug connection on the side of the actuating body, so for connection to the application control circuit side, please prepare a female socket.

⚠ The product should be operated after thoroughly reading the operation manual and understanding its contents.

Connector Wiring Diagram

C: Multiple connector (6P)



Terminal no.	Lead wire color	Auto switch
1	Blue	OPEN (-)
2	Brown	OPEN (+)
3	—	—
4	—	—
5	Brown	CLOSE (+)
6	Blue	CLOSE (-)

F: D-sub connector (9P)

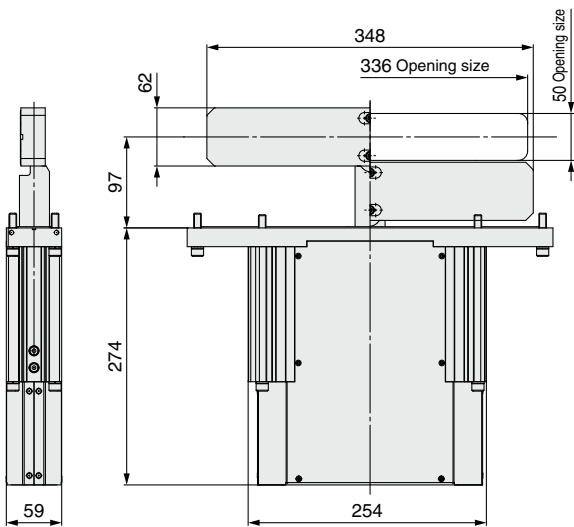


Terminal no.	Lead wire color	Auto switch
1	Brown	OPEN (+)
2	Brown	CLOSE (+)
3	—	—
4	—	—
5	—	—
6	—	—
7	Blue	OPEN (-)
8	Blue	CLOSE (-)
9	—	—

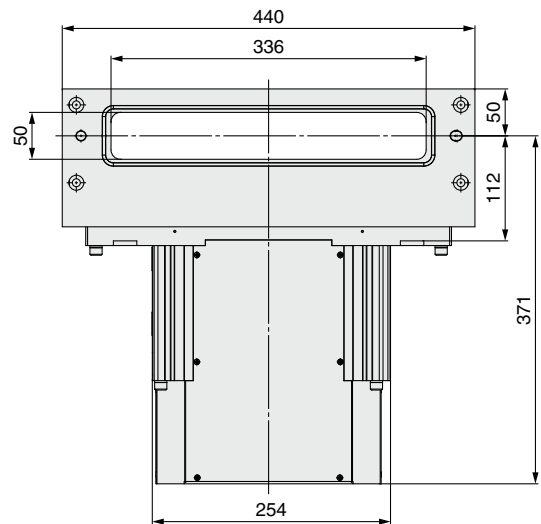
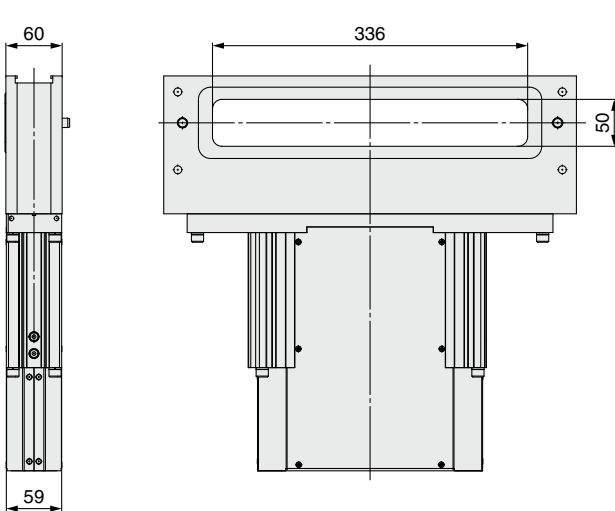
XGTP Series

Dimensions

Insert type (Without body) / XGTP311

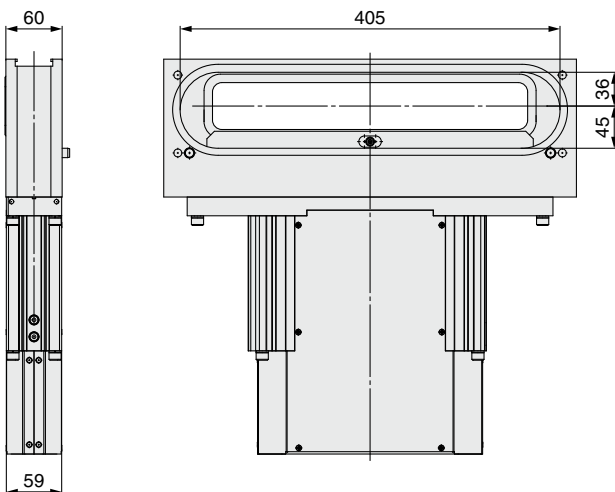


Cassette type (Standard) / XGTP312



Valve seat side
(XGTP312, 313 common)

Cassette type (Half MESK) / XGTP313



Return of Product

Warning


If the product being returned is contaminated or possibly contaminated with substances that are harmful to humans then please contact SMC in the first instance and get the product decontaminated and made safe by a specialist cleaning company. After the decontamination prescribed in the sentence before, submit Product Return Request Sheet or Detoxification/Decontamination certificate to SMC and await return contact from SMC before returning the item to SMC.


Please refer to International Chemical Safety Cards (ICSC) for a list of the harmful substances.


If you have any questions, please contact your SMC sales representative.

Safety Instructions

These safety instructions are intended to prevent hazardous situations and/or equipment damage. These instructions indicate the level of potential hazard with the labels of “**Caution**,” “**Warning**” or “**Danger**.” They are all important notes for safety and must be followed in addition to International Standards (ISO/IEC)*1), and other safety regulations.

 **Caution:** **Caution** indicates a hazard with a low level of risk which, if not avoided, could result in minor or moderate injury.

 **Warning:** **Warning** indicates a hazard with a medium level of risk which, if not avoided, could result in death or serious injury.

 **Danger:** **Danger** indicates a hazard with a high level of risk which, if not avoided, will result in death or serious injury.

*1) ISO 4414: Pneumatic fluid power – General rules relating to systems.
ISO 4413: Hydraulic fluid power – General rules relating to systems.
IEC 60204-1: Safety of machinery – Electrical equipment of machines.
(Part 1: General requirements)
ISO 10218-1: Manipulating industrial robots – Safety.
etc.

Warning

1. The compatibility of the product is the responsibility of the person who designs the equipment or decides its specifications.

Since the product specified here is used under various operating conditions, its compatibility with specific equipment must be decided by the person who designs the equipment or decides its specifications based on necessary analysis and test results. The expected performance and safety assurance of the equipment will be the responsibility of the person who has determined its compatibility with the product. This person should also continuously review all specifications of the product referring to its latest catalog information, with a view to giving due consideration to any possibility of equipment failure when configuring the equipment.

2. Only personnel with appropriate training should operate machinery and equipment.

The product specified here may become unsafe if handled incorrectly. The assembly, operation and maintenance of machines or equipment including our products must be performed by an operator who is appropriately trained and experienced.

3. Do not service or attempt to remove product and machinery/equipment until safety is confirmed.

1. The inspection and maintenance of machinery/equipment should only be performed after measures to prevent falling or runaway of the driven objects have been confirmed.
2. When the product is to be removed, confirm that the safety measures as mentioned above are implemented and the power from any appropriate source is cut, and read and understand the specific product precautions of all relevant products carefully.
3. Before machinery/equipment is restarted, take measures to prevent unexpected operation and malfunction.

4. Contact SMC beforehand and take special consideration of safety measures if the product is to be used in any of the following conditions.

1. Conditions and environments outside of the given specifications, or use outdoors or in a place exposed to direct sunlight.
2. Installation on equipment in conjunction with atomic energy, railways, air navigation, space, shipping, vehicles, military, medical treatment, combustion and recreation, or equipment in contact with food and beverages, emergency stop circuits, clutch and brake circuits in press applications, safety equipment or other applications unsuitable for the standard specifications described in the product catalog.
3. An application which could have negative effects on people, property, or animals requiring special safety analysis.
4. Use in an interlock circuit, which requires the provision of double interlock for possible failure by using a mechanical protective function, and periodical checks to confirm proper operation.

Caution

1. The product is provided for use in manufacturing industries.

The product herein described is basically provided for peaceful use in manufacturing industries.
If considering using the product in other industries, consult SMC beforehand and exchange specifications or a contract if necessary.
If anything is unclear, contact your nearest sales branch.

Limited warranty and Disclaimer/ Compliance Requirements

The product used is subject to the following “Limited warranty and Disclaimer” and “Compliance Requirements”.

Read and accept them before using the product.

Limited warranty and Disclaimer

1. The warranty period of the product is 1 year in service or 1.5 years after the product is delivered, whichever is first.*2)
Also, the product may have specified durability, running distance or replacement parts. Please consult your nearest sales branch.
2. For any failure or damage reported within the warranty period which is clearly our responsibility, a replacement product or necessary parts will be provided.
This limited warranty applies only to our product independently, and not to any other damage incurred due to the failure of the product.
3. Prior to using SMC products, please read and understand the warranty terms and disclaimers noted in the specified catalog for the particular products.

*2) Vacuum pads are excluded from this 1 year warranty.

A vacuum pad is a consumable part, so it is warranted for a year after it is delivered.
Also, even within the warranty period, the wear of a product due to the use of the vacuum pad or failure due to the deterioration of rubber material are not covered by the limited warranty.

Compliance Requirements

1. The use of SMC products with production equipment for the manufacture of weapons of mass destruction (WMD) or any other weapon is strictly prohibited.
2. The exports of SMC products or technology from one country to another are governed by the relevant security laws and regulations of the countries involved in the transaction. Prior to the shipment of a SMC product to another country, assure that all local rules governing that export are known and followed.

Caution

SMC products are not intended for use as instruments for legal metrology.

Measurement instruments that SMC manufactures or sells have not been qualified by type approval tests relevant to the metrology (measurement) laws of each country. Therefore, SMC products cannot be used for business or certification ordained by the metrology (measurement) laws of each country.

Safety Instructions

Be sure to read the “Handling Precautions for SMC Products” (M-E03-3) and “Operation Manual” before use.