

# 3 Port 3 Position Valve

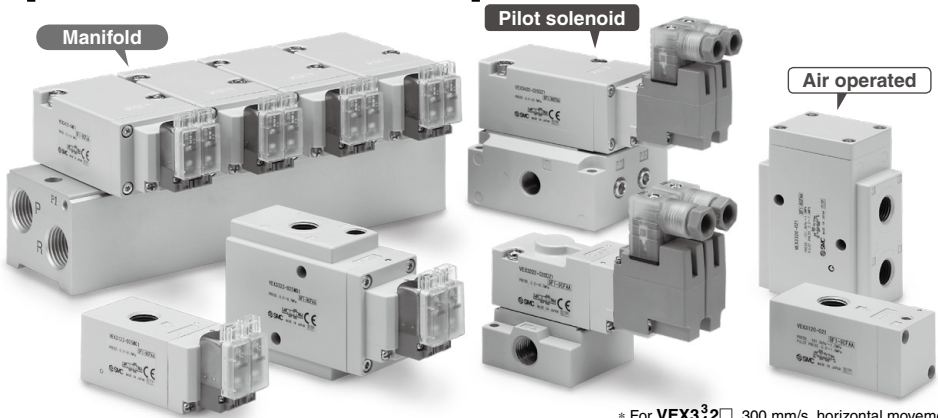
## VEX3 Series

Pilot Solenoid

Air Operated



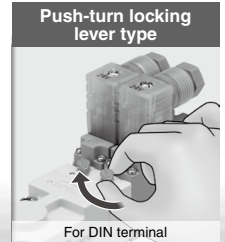
Intermediate stopping of cylinders up to  $\varnothing 125^*$  is possible.



\* For VEX3 $\frac{3}{4}$ 2□, 300 mm/s, horizontal movement

Power consumption: 1 w

3 Manual override options added



VEX

### Variations

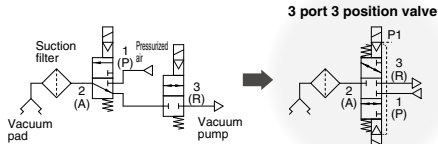
|              | Body size | Port size | Flow rate characteristics <sup>*1</sup><br>C [dm <sup>3</sup> /(s·bar)] | Applicable cylinder <sup>*2</sup> |     |      |      |
|--------------|-----------|-----------|---|-----------------------------------|-----|------|------|
|              |           |           |   | ø63                               | ø80 | ø100 | ø125 |
| Body ported  | VEX312□   | 1/4       | 3.5   |                                   | ●   |      |      |
|              | VEX332□   | 3/8       | 8.7   |                                   |     | ●    |      |
| Base mounted | VEX322□   | 1/4       | 4.4   |                                   | ●   |      |      |
|              | VEX342□   | 1/2       | 14  |                                   |     |      | ●    |

\*1 For 2 (A) → 3 (R) \*2 For 300 mm/s, horizontal movement

# Applications

## Vacuum suction and release

The 3-port, 3-position double solenoid that permits vacuum suction, release, and suspension (closed) is ideal for a system where many valves are used.



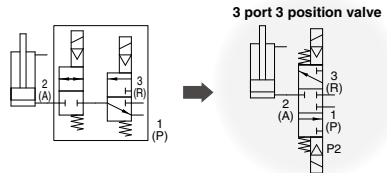
- There is no blow-by when switched from vacuum suction to vacuum release or vice versa.

### Caution

- When maintaining the vacuum of port 2(A), the vacuum may decrease due to leakage from the vacuum pad or piping. Conduct vacuum suction at the vacuum adsorption position. Furthermore, it cannot be used as an emergency cutoff valve.

## Intermediate cylinder stops

3-position closed center type. A system with a more simple design, but the same size, is now available.



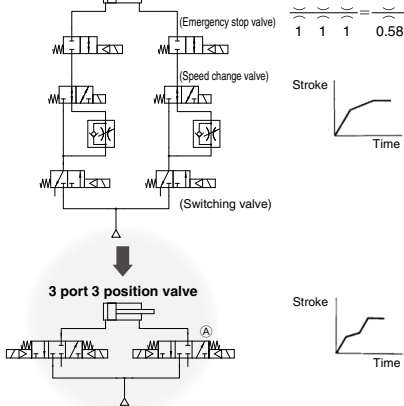
- A large capacity system without connection loss

$$\frac{1}{1} = \frac{1}{0.71} \quad (\text{Valves and piping can be made smaller.})$$

## Terminal deceleration and an intermediate speed change circuit can be produced easily.

The simple system configuration permits sharp response. The large capacity system configuration without connection loss allows the use of smaller valves and piping.

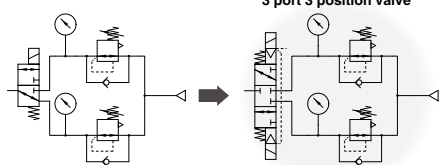
- For example, when solenoid (b) of valve (A) is turned off while the cylinder is extending, the exhaust port closes and cylinder movement decelerates.



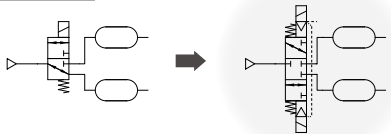
## Universal porting could be used as a selector/divider valve.

The pressure balancing poppet valve that permits any flow direction allows sequential switching operation, preventing blow-by and air entrainment.

### Two-stage directional control selection

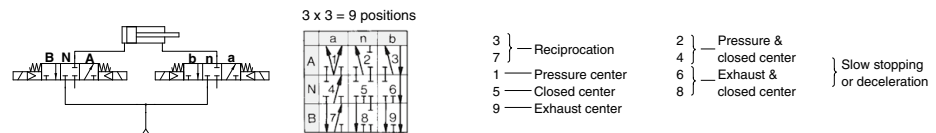


### Direction divider



## For operation control of double acting cylinders

Two 3-port 3-position valves driven by a double acting cylinder allow operation control in 9 positions (3 positions x 3 positions = 9 positions) including slow stopping, acceleration, and deceleration.

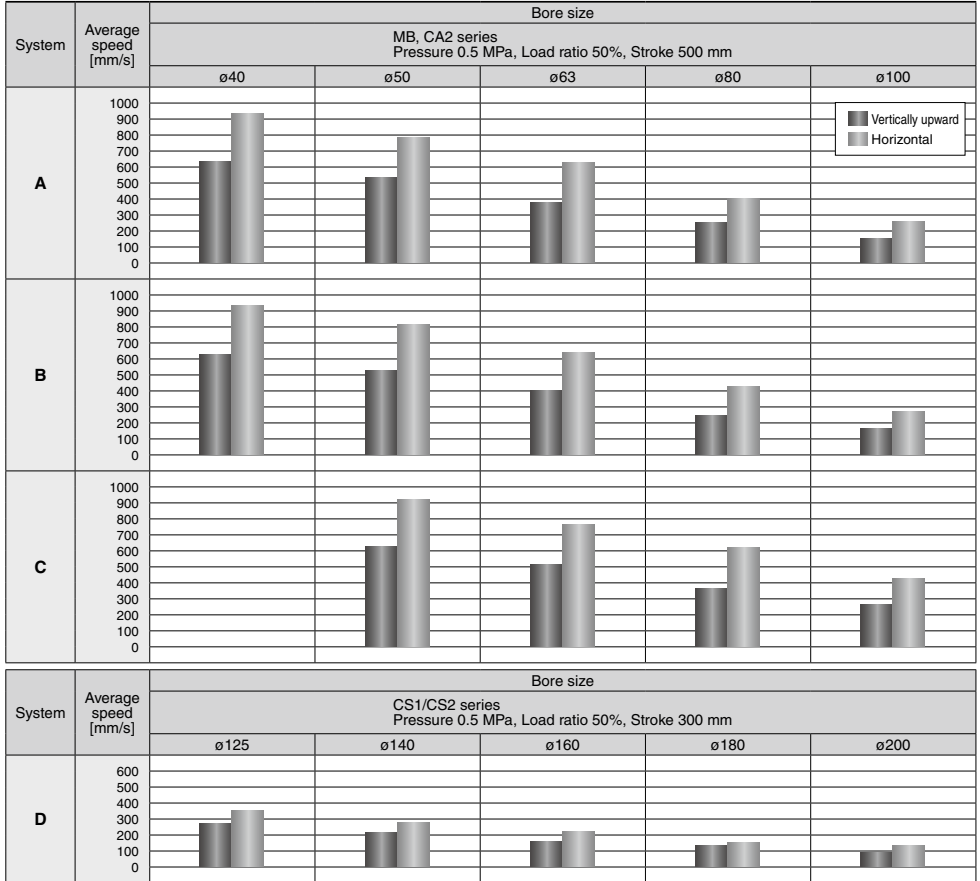


- |   |                   |   |                            |                                 |
|---|-------------------|---|----------------------------|---------------------------------|
| 3 | — Reciprocation   | 2 | — Pressure & closed center | } Slow stopping or deceleration |
| 7 | — Pressure center | 4 | — Exhaust & closed center  |                                 |
| 1 | — Pressure center | 6 | — Exhaust & closed center  |                                 |
| 5 | — Closed center   | 8 | — Exhaust & closed center  |                                 |
| 9 | — Exhaust center  |   |                            |                                 |

- ▲ **Caution** ● This valve allows air leakage, and thus cannot be used for long term intermediate stops.

# Cylinder Speed Chart

This chart is provided as guidelines only. For performance under various conditions, use SMC's Model Selection Software before making a judgment.



\* Values at extension of a directly coupled cylinder when meter-out speed controllers are used with the needle full open.  
 \* The average speed of the cylinder is obtained by dividing the stroke by the total stroke time.  
 \* The load ratio is obtained by the following formula: ((Load mass x 9.8)/Theoretical output) x 100%

## Conditions

| System | Solenoid valve | Speed controller | Silencer | Tubing diameter x Length |
|--------|----------------|------------------|----------|--------------------------|
| A      | VEX3 1/2 □ -02 | AS4000-02        | AN20-02  | ø10 x 1 m                |
| B      |                |                  |          | ø12 x 1 m                |
| C      | VEX3 3/4 □ -03 | AS420-03         | AN30-03  | ø12 x 1 m                |
| D      |                |                  |          | SGP15A x 1 m             |

VEX

# 3 Port 3 Position Valve Body Ported

## VEX3 Series



### How to Order

**Air operated** VEX3 12 0 - 01

**Pilot solenoid** VEX3 12 2 - 01 5 D 1 - B

Air operated

Pilot solenoid

1 - B

1 - B

#### Operation type

|   |                         |
|---|-------------------------|
| 1 | External pilot solenoid |
| 2 | Internal pilot solenoid |

#### Thread type

|     |      |
|-----|------|
| Nil | Rc   |
| F   | G    |
| N   | NPT  |
| T   | NPTF |

#### Option

|     |   |   |
|-----|---|---|
| Nil | None                                    | — |
| B   | Bracket (VEX312□ only)                  |   |
| F   | Foot bracket (VEX312□ and VEX332□ only) |   |
| N*  | Pilot exhaust (PE) silencer             |   |

\* Only with solenoid

#### Manual override

|     |                                |                               |              |
|-----|--------------------------------|-------------------------------|--------------|
| Nil | Non-locking push type          | Grommet/ (L/M) plug connector | DIN terminal |
| B   | Locking slotted type           | Grommet/ (L/M) plug connector |              |
| D   | Push-turn locking slotted type | DIN terminal                  |              |
| E*  | Push-turn locking lever type   | DIN terminal                  |              |

\* Except external pilot solenoid

#### Body size

| Body size | Port size |                  |
|-----------|-----------|------------------|
|           | Port      | 1(P), 2(A), 3(R) |
| 12        | 01        | 1/8              |
|           | 02        | 1/4              |
| 32        | 02        | 1/4              |
|           | 04        | 1/2              |

#### Rated voltage

|   |                    |
|---|--------------------|
| 1 | 100 VAC (50/60 Hz) |
| 2 | 200 VAC (50/60 Hz) |
| 3 | 110 VAC (50/60 Hz) |
| 4 | 220 VAC (50/60 Hz) |
| 5 | 24 VDC             |
| 6 | 12 VDC             |
| V | 6 VDC              |
| S | 5 VDC              |
| R | 3 VDC              |

\* DC specification of type D and DO is only available with 12 and 24 VDC.

#### Electrical entry

|           | Grommet                           | L plug connector                          | M plug connector   | DIN terminal                 |
|-----------|-----------------------------------|---|--|------------------------------|
|           | <b>G:</b> Lead wire length 300 mm | <b>L:</b> With lead wire (Length: 300 mm) | <b>M:</b> With lead wire <b>MN:</b> Without lead wire (Length: 300 mm) | <b>D:</b> With connector     |
|           |                                   |   |  |                              |
|           | <b>H:</b> Lead wire length 600 mm | <b>LN:</b> Without lead wire              | <b>LO:</b> Without connector <b>MO:</b> Without connector              | <b>DO:</b> Without connector |
|           |                                   |   |  |                              |
| CE        | DC                                | CE  | CE   | CE                           |
| compliant | AC                                | —   | —  | —                            |

#### Light/surge voltage suppressor

| Electrical entry for G, H, L, M |  | DC | AC |
|---------------------------------|--|----|----|
| Nil                             | None   | ●  | ●  |
| R                               | With surge voltage suppressor (Non-polar type)       | ●  | —  |
| U                               | With light/surge voltage suppressor (Non-polar type) | ●  | —  |
| Z                               | With light/surge voltage suppressor                  | —  | ●  |

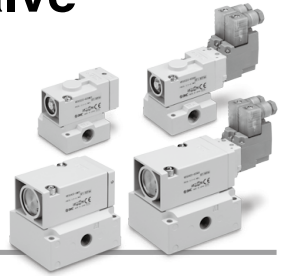
| Electrical entry for D |                                     | DC | AC |
|------------------------|-------------------------------------|----|----|
| Nil                    | None                                | ●  | ●  |
| S                      | With surge voltage suppressor       | ●  | —  |
| Z                      | With light/surge voltage suppressor | ●  | ●  |

\* DOZ is not available.

\* There is no S option for AC mode, since a rectifier prevents surge voltage generation.

# 3 Port 3 Position Valve Base Mounted

## VEX3 Series



Air operated

Pilot solenoid

### How to Order

**Air operated** VEX3 **22** **0** - **01** **1**

**Pilot solenoid** VEX3 **22** **2** - **01** **5** **D** **1**

#### Operation type

|   |                         |
|---|-------------------------|
| 1 | External pilot solenoid |
| 2 | Internal pilot solenoid |

#### Thread type

|     |      |
|-----|------|
| Nil | Rc   |
| F   | G    |
| N   | NPT  |
| T   | NPTF |

#### Rated voltage

|   |                    |
|---|--------------------|
| 1 | 100 VAC (50/60 Hz) |
| 2 | 200 VAC (50/60 Hz) |
| 3 | 110 VAC (50/60 Hz) |
| 4 | 220 VAC (50/60 Hz) |
| 5 | 24 VDC             |
| 6 | 12 VDC             |
| V | 6 VDC              |
| S | 5 VDC              |
| R | 3 VDC              |

#### Body size

#### Port size

| Body size | Port size |                    |
|-----------|-----------|--------------------|
|           | Port      | 1(P), 2(A), 3(R)   |
| 22        | Nil       | Without sub-plate* |
|           | 01        | 1/8                |
|           | 02        | 1/4                |
| 42        | Nil       | Without sub-plate* |
|           | 02        | 1/4                |
|           | 03        | 3/8                |
|           | 04        | 1/2                |

\* With a gasket and 2 mounting bolts

\* DC specification of type D and DO is only available with 12 and 24 VDC.

#### Option

| Nil | None                        | — |
|-----|-----------------------------|---|
| N   | Pilot exhaust (PE) silencer |   |

#### Manual override

|     |                                |                                   |                  |
|-----|--------------------------------|-----------------------------------|------------------|
| Nil | Non-locking push type          | Grommet/ (L/M) plug connector<br> | DIN terminal<br> |
| B   | Locking slotted type           | Grommet/ (L/M) plug connector<br> |                  |
| D   | Push-turn locking slotted type | DIN terminal<br>                  |                  |
| E   | Push-turn locking lever type   | DIN terminal<br>                  |                  |

\* Except external pilot solenoid

#### Electrical entry

|              | Grommet                           | L plug connector                          | M plug connector   | DIN terminal                 |
|--------------|-----------------------------------|---|--|------------------------------|
|              | <b>G:</b> Lead wire length 300 mm | <b>L:</b> With lead wire (Length: 300 mm) | <b>M:</b> With lead wire <b>MN:</b> Without lead wire (Length: 300 mm) | <b>D:</b> With connector     |
|              |                                   |   |  |                              |
|              | <b>H:</b> Lead wire length 600 mm | <b>LN:</b> Without lead wire              | <b>LO:</b> Without connector <b>MO:</b> Without connector              | <b>DO:</b> Without connector |
|              |                                   |   |  |                              |
| CE compliant | DC<br>AC                          | CE  | CE   | CE                           |

#### Light/surge voltage suppressor

| Electrical entry for G, H, L, M |  | DC | AC |
|---------------------------------|--|----|----|
| Nil                             | None   | ●  | ●  |
| R                               | With surge voltage suppressor (Non-polar type)       | ●  | —  |
| U                               | With light/surge voltage suppressor (Non-polar type) | ●  | —  |
| Z                               | With light/surge voltage suppressor                  | —  | ●  |
| Electrical entry for D          |  | DC | AC |
| Nil                             | None   | ●  | ●  |
| S                               | With surge voltage suppressor                        | ●  | —  |
| Z                               | With light/surge voltage suppressor                  | ●  | ●  |

\* DOZ is not available.

\* There is no S option for AC mode, since a rectifier prevents surge voltage generation.

VEX

# VEX3 Series

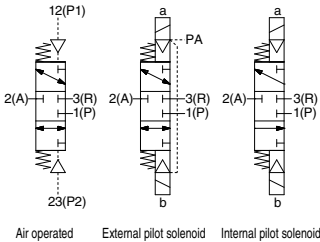
## Specifications



Air operated

Internal pilot solenoid / External pilot solenoid

Symbol



Air operated

External pilot solenoid

Internal pilot solenoid

|   |                          |   |                        |
|---|--------------------------|---|------------------------|
| Model   | Body ported              | VEX312□-01<br>02  | VEX332□-03<br>04       |
|   | Base mounted             | VEX322□-01<br>02  | VEX342□-03<br>04       |
| Operation type                                |                          | Air operated, External pilot solenoid, Internal pilot solenoid  |                        |
| Fluid   |                          | Air   |                        |
| Air operated operating pressure range [MPa]   | Operating pressure range | -101.2 kPa to 1.0   |                        |
|   | Pilot pressure range     | 0.2 to 1.0  |                        |
| Internal pilot operating pressure range [MPa] |                          | 0.2 to 0.7  |                        |
| External pilot operating pressure range [MPa] | Operating pressure range | -101.2 kPa to 1.0   |                        |
|   | Pilot pressure range     | 0.2 to 0.7  |                        |
| Ambient and fluid temperature                 |                          | 0 to 50°C (Air operated: 60°C)                                  |                        |
| Response time (Pilot pressure 0.5 MPa)        |                          | 40 ms or less   | 60 ms or less (Note 1) |
| Maximum operating frequency                   |                          | 3 Hz  |                        |
| Mounting                                      |                          | Free  |                        |
| Lubrication (Note 2)                          |                          | Not required (Use turbine oil Class 1 ISO VG32, if lubricated.) |                        |

Note 1) 96 ms or less for AC

Note 2) Non-lubricated specification is not available for this product.

## Pilot Solenoid Valve Specifications

|                               |               |   |                                 |                                   |  |
|-------------------------------|---------------|---|---------------------------------|-----------------------------------|--|
| Model                         |               | VEX3121, VEX3221, VEX3321, VEX3421<br>VEX3122, VEX3222, VEX3322, VEX3422  |                                 |                                   |  |
| Pilot valve                   |               | V114□, V115□  |                                 |                                   |  |
| Electrical entry              |               | Grommet (G), L plug connector (L), M plug connector (M), DIN terminal (D) |                                 |                                   |  |
| Rated coil voltage [V]        | AC (50/60 Hz) | 100 V, 110 V, 200 V, 220 V  |                                 |                                   |  |
|                               | DC            | 3 V, 5 V, 6 V, 12 V, 24 V   |                                 |                                   |  |
| Allowable voltage fluctuation |               | -10 to +10% of rated voltage*   |                                 |                                   |  |
| Apparent power [VA]           | AC            | G, L, M   | 100 V                           | 0.78 (With indicator light: 0.81) |  |
|                               |               |   | 110 V                           | 0.86 (With indicator light: 0.89) |  |
|                               |               |   | 200 V                           | 1.18 (With indicator light: 1.22) |  |
|                               |               | D   | 100 V                           | 0.78 (With indicator light: 0.87) |  |
|                               |               |   | 110 V                           | 0.86 (With indicator light: 0.97) |  |
|                               |               |   | 200 V                           | 1.15 (With indicator light: 1.30) |  |
| Power consumption [W]         | DC            | G, L, M   | 1.0 (With indicator light: 1.1) |                                   |  |
|                               |               | D   | 1.0 (With indicator light: 1.1) |                                   |  |

\* Allowable voltage fluctuation for S and Z types 24 VDC: -7% to +10%  
12 VDC: -4% to +10%

## ⚠ Caution



This is not a manual override. Do not press this button, as it can result in damage to the product. This applies to body sizes 1 and 2.

## Flow Rate Characteristics/Weight

| Model                         | Port size  | Flow rate characteristics  |     |                            |     |                            |     |                            |     | Weight [kg]                |                                  |     |  |  |
|-------------------------------|------------|----------------------------|-----|----------------------------|-----|----------------------------|-----|----------------------------|-----|----------------------------|----------------------------------|-----|--|--|
|                               |            | 1(P) → 2(A)                |     | 2(A) → 1(P)                |     | 3(R) → 2(A)                |     | 2(A) → 3(R)                |     | Air operated               | External/Internal pilot solenoid |     |  |  |
|                               |            | C [dm <sup>3</sup> /s-bar] | b   | C [dm <sup>3</sup> /s-bar] | b   | C [dm <sup>3</sup> /s-bar] | b   | C [dm <sup>3</sup> /s-bar] | b   | C [dm <sup>3</sup> /s-bar] | b                                |     |  |  |
| Body ported                   | VEX312□-01 | 1/8                        | 2.4 | 0.19                       | 2.4 | 0.31                       | 2.3 | 0.36                       | 2.5 | 0.22                       | 0.1                              | 0.2 |  |  |
|                               | VEX312□-02 | 1/4                        | 3.5 | 0.35                       | 3.3 | 0.49                       | 3.1 | 0.46                       | 3.5 | 0.33                       | 0.1                              | 0.2 |  |  |
|                               | VEX332□-02 | 1/4                        | 4.1 | 0.36                       | 4.3 | 0.42                       | 4.1 | 0.41                       | 4.6 | 0.25                       | 0.3                              | 0.4 |  |  |
|                               | VEX332□-03 | 3/8                        | 8.7 | 0.29                       | 7.9 | 0.52                       | 7.8 | 0.51                       | 8.7 | 0.33                       | 0.3                              | 0.4 |  |  |
|                               | VEX332□-04 | 1/2                        | 9.8 | 0.37                       | 9.6 | 0.52                       | 9.1 | 0.53                       | 11  | 0.37                       | 0.3                              | 0.4 |  |  |
| Base mounted (With sub-plate) | VEX322□-01 | 1/8                        | 3.3 | 0.34                       | 3.5 | 0.39                       | 3.3 | 0.37                       | 3.5 | 0.36                       | 0.2                              | 0.3 |  |  |
|                               | VEX322□-02 | 1/4                        | 4.1 | 0.28                       | 4.1 | 0.39                       | 3.8 | 0.38                       | 4.4 | 0.23                       | 0.2                              | 0.3 |  |  |
|                               | VEX342□-02 | 1/4                        | 8.1 | 0.34                       | 7.9 | 0.39                       | 8.2 | 0.33                       | 8.1 | 0.37                       | 0.6                              | 0.7 |  |  |
|                               | VEX342□-03 | 3/8                        | 12  | 0.26                       | 12  | 0.29                       | 12  | 0.28                       | 13  | 0.28                       | 0.6                              | 0.7 |  |  |
|                               | VEX342□-04 | 1/2                        | 13  | 0.20                       | 13  | 0.24                       | 12  | 0.29                       | 14  | 0.20                       | 0.6                              | 0.7 |  |  |

**Electrical entry**  
For Grommet, L/M plug connector

**How to Order Pilot Valve Assembly**

V1 1 4 **A** - 5 **M** □ □

**Type of actuation**

|   |                 |
|---|-----------------|
| 1 | Normally closed |
|---|-----------------|

**Specification**

|     |                          |
|-----|--------------------------|
| Nil | Standard (for AC)        |
| A   | Large flow type (for DC) |

**Rated voltage**

|   |  |
|---|--|
| 1 | 100 VAC (50/60 Hz)                     |
| 2 | 200 VAC (50/60 Hz)                     |
| 3 | 110 VAC (50/60 Hz)[115 VAC (50/60 Hz)] |
| 4 | 220 VAC (50/60 Hz)[230 VAC (50/60 Hz)] |
| 5 | 24 VDC                                 |
| 6 | 12 VDC                                 |
| V | 6 VDC                                  |
| S | 5 VDC                                  |
| R | 3 VDC                                  |

**Manual override**

|     |                  |
|-----|------------------|
| Nil | Non-locking push |
| B   | Locking slotted  |

**Light/surge voltage suppressor**

|     |  |     |
|-----|--|-----|
|     | DC                                     | AC  |
| Nil | Without light/surge voltage suppressor | ○ ○ |
| R   | With surge voltage suppressor          | ○ — |
| U   | With light/surge voltage suppressor    | ○ ○ |
| Z   | With light/surge voltage suppressor    | — ○ |

\* There is no S option for AC, since a rectifier prevents surge voltage generation.

**Electrical entry**

|                            |  |  |
|----------------------------|--|--|
| 24, 12, 6, 5, 3 VDC        |  |  |
| Grommet                    | L plug connector                               | M plug connector                               |
| G: Lead wire length 300 mm | L: With lead wire (Length: 300 mm)             | M: With lead wire (Length: 300 mm)             |
| H: Lead wire length 600 mm | LN: Without lead wire<br>LO: Without connector | MN: Without lead wire<br>MO: Without connector |

\* LN and MN types are with 2 sockets.  
\* Refer to page 1737 for the different lead wire lengths of L and M plug connectors.  
\* Refer to page 1738 for the connector assembly with a dustproof cover for L and M plug connectors.

**Electrical entry**  
For DIN terminal

**How to Order Pilot Valve Assembly**

V115 **A** - 5 **D** □

**Specification**

|     |                          |
|-----|--------------------------|
| Nil | Standard (for AC)        |
| A   | Large flow type (for DC) |

**Rated voltage**

|   |  |
|---|--|
| 1 | 100 VAC (50/60 Hz)                     |
| 2 | 200 VAC (50/60 Hz)                     |
| 3 | 110 VAC (50/60 Hz)[115 VAC (50/60 Hz)] |
| 4 | 220 VAC (50/60 Hz)[230 VAC (50/60 Hz)] |
| 5 | 24 VDC                                 |
| 6 | 12 VDC                                 |

\* DC specification of type D and DO is only available with 12 and 24 VDC.

**Light/surge voltage suppressor**

|     |  |     |
|-----|--|-----|
|     | DC   | AC  |
| Nil | Without light/surge voltage suppressor               | ○ ○ |
| S   | With surge voltage suppressor (Non-polar type)       | ○ — |
| Z   | With light/surge voltage suppressor (Non-polar type) | ○ ○ |

\* DOZ is not available.  
\* There is no S option for AC, since a rectifier prevents surge voltage generation.

**Electrical entry**

|    |              |                   |
|----|--------------|-------------------|
| D  | DIN terminal | With connector    |
| DO | (Type D)     | Without connector |

**How to Order Sub-plate and Base Gasket**

| Body size   | 22   | 42       |           |   |     |   |     |        |             |     |    |   |   |   |     |   |      |   |        |           |   |     |   |     |   |     |        |             |     |    |   |   |   |     |   |      |
|-------------|--|----------|-----------|---|-----|---|-----|--------|-------------|-----|----|---|---|---|-----|---|------|---|--------|-----------|---|-----|---|-----|---|-----|--------|-------------|-----|----|---|---|---|-----|---|------|
| Sub-plate   | <p>VEX1 - 9 - 2 <b>A</b> □</p> <p><b>Port size</b></p> <table border="1"> <tr><td>Symbol</td><td>Port size</td></tr> <tr><td>A</td><td>1/8</td></tr> <tr><td>B</td><td>1/4</td></tr> </table> <p><b>Thread type</b></p> <table border="1"> <tr><td>Symbol</td><td>Thread type</td></tr> <tr><td>Nil</td><td>Rc</td></tr> <tr><td>F</td><td>G</td></tr> <tr><td>N</td><td>NPT</td></tr> <tr><td>T</td><td>NPTF</td></tr> </table> | Symbol   | Port size | A | 1/8 | B | 1/4 | Symbol | Thread type | Nil | Rc | F | G | N | NPT | T | NPTF | <p>VEX4 - 2A - 1 <b>A</b> □</p> <p><b>Port size</b></p> <table border="1"> <tr><td>Symbol</td><td>Port size</td></tr> <tr><td>A</td><td>1/4</td></tr> <tr><td>B</td><td>3/8</td></tr> <tr><td>C</td><td>1/2</td></tr> </table> <p><b>Thread type</b></p> <table border="1"> <tr><td>Symbol</td><td>Thread type</td></tr> <tr><td>Nil</td><td>Rc</td></tr> <tr><td>F</td><td>G</td></tr> <tr><td>N</td><td>NPT</td></tr> <tr><td>T</td><td>NPTF</td></tr> </table> | Symbol | Port size | A | 1/4 | B | 3/8 | C | 1/2 | Symbol | Thread type | Nil | Rc | F | G | N | NPT | T | NPTF |
| Symbol      | Port size  |          |           |   |     |   |     |        |             |     |    |   |   |   |     |   |      |   |        |           |   |     |   |     |   |     |        |             |     |    |   |   |   |     |   |      |
| A           | 1/8  |          |           |   |     |   |     |        |             |     |    |   |   |   |     |   |      |   |        |           |   |     |   |     |   |     |        |             |     |    |   |   |   |     |   |      |
| B           | 1/4  |          |           |   |     |   |     |        |             |     |    |   |   |   |     |   |      |   |        |           |   |     |   |     |   |     |        |             |     |    |   |   |   |     |   |      |
| Symbol      | Thread type  |          |           |   |     |   |     |        |             |     |    |   |   |   |     |   |      |   |        |           |   |     |   |     |   |     |        |             |     |    |   |   |   |     |   |      |
| Nil         | Rc   |          |           |   |     |   |     |        |             |     |    |   |   |   |     |   |      |   |        |           |   |     |   |     |   |     |        |             |     |    |   |   |   |     |   |      |
| F           | G  |          |           |   |     |   |     |        |             |     |    |   |   |   |     |   |      |   |        |           |   |     |   |     |   |     |        |             |     |    |   |   |   |     |   |      |
| N           | NPT  |          |           |   |     |   |     |        |             |     |    |   |   |   |     |   |      |   |        |           |   |     |   |     |   |     |        |             |     |    |   |   |   |     |   |      |
| T           | NPTF   |          |           |   |     |   |     |        |             |     |    |   |   |   |     |   |      |   |        |           |   |     |   |     |   |     |        |             |     |    |   |   |   |     |   |      |
| Symbol      | Port size  |          |           |   |     |   |     |        |             |     |    |   |   |   |     |   |      |   |        |           |   |     |   |     |   |     |        |             |     |    |   |   |   |     |   |      |
| A           | 1/4  |          |           |   |     |   |     |        |             |     |    |   |   |   |     |   |      |   |        |           |   |     |   |     |   |     |        |             |     |    |   |   |   |     |   |      |
| B           | 3/8  |          |           |   |     |   |     |        |             |     |    |   |   |   |     |   |      |   |        |           |   |     |   |     |   |     |        |             |     |    |   |   |   |     |   |      |
| C           | 1/2  |          |           |   |     |   |     |        |             |     |    |   |   |   |     |   |      |   |        |           |   |     |   |     |   |     |        |             |     |    |   |   |   |     |   |      |
| Symbol      | Thread type  |          |           |   |     |   |     |        |             |     |    |   |   |   |     |   |      |   |        |           |   |     |   |     |   |     |        |             |     |    |   |   |   |     |   |      |
| Nil         | Rc   |          |           |   |     |   |     |        |             |     |    |   |   |   |     |   |      |   |        |           |   |     |   |     |   |     |        |             |     |    |   |   |   |     |   |      |
| F           | G  |          |           |   |     |   |     |        |             |     |    |   |   |   |     |   |      |   |        |           |   |     |   |     |   |     |        |             |     |    |   |   |   |     |   |      |
| N           | NPT  |          |           |   |     |   |     |        |             |     |    |   |   |   |     |   |      |   |        |           |   |     |   |     |   |     |        |             |     |    |   |   |   |     |   |      |
| T           | NPTF   |          |           |   |     |   |     |        |             |     |    |   |   |   |     |   |      |   |        |           |   |     |   |     |   |     |        |             |     |    |   |   |   |     |   |      |
| Base gasket | VEX1 - 11 - 2  | VEX4 - 4 |           |   |     |   |     |        |             |     |    |   |   |   |     |   |      |   |        |           |   |     |   |     |   |     |        |             |     |    |   |   |   |     |   |      |

VEX

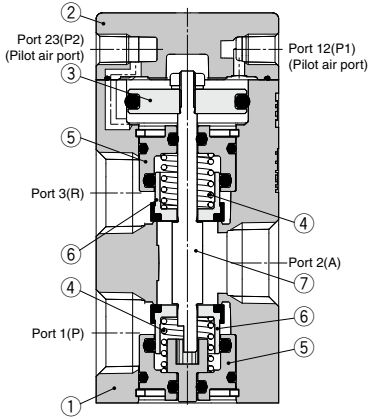
**Options/Part Number**

| Description                                  | Part number      |                  |                        |                        |
|--|------------------|------------------|------------------------|------------------------|
|  | VEX312□-01<br>02 | VEX322□-01<br>02 | VEX332□-02<br>03<br>04 | VEX342□-02<br>03<br>04 |
| Bracket (With bolt and washer)               | B                | VEX1-18-1A       | —                      | —                      |
| Foot bracket (With bolt and washer)          | F                | VEX1-18-2A       | —                      | VEX3-32-2A             |
| Pilot exhaust (PE) silencer <sup>Note)</sup> | N                | AN120-M5         |                        |                        |

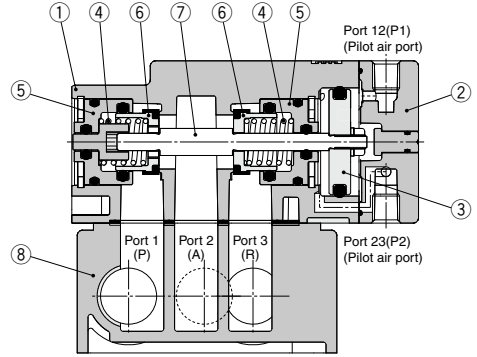
Note) Only with solenoid

## Construction

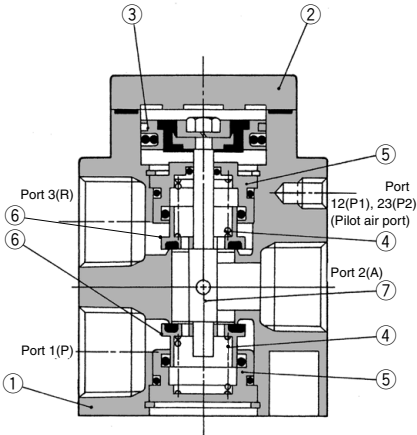
**VEX3120 (Air operated)**



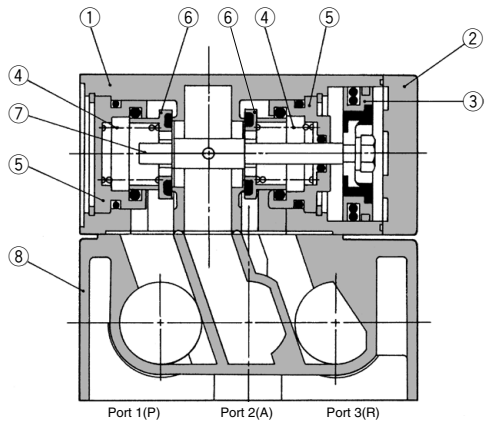
**VEX3220 (Air operated)**



**VEX3320 (Air operated)**



**VEX3420 (Air operated)**

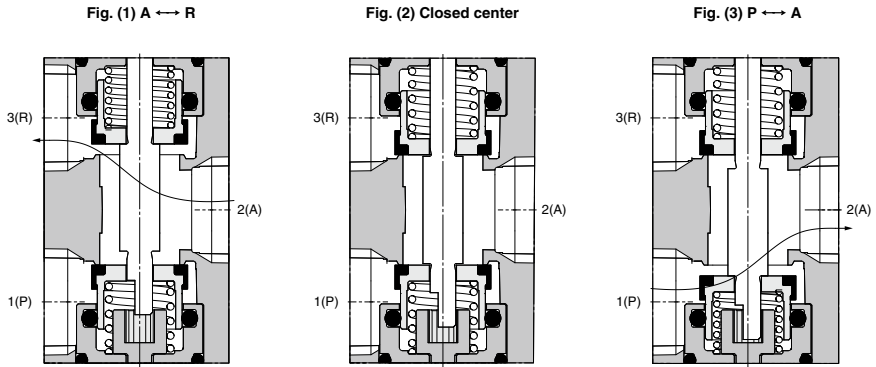


### Component Parts

| No. | Description                            | Material               |
|-----|--|------------------------|
| 1   | <b>Body</b>                            | Aluminum alloy         |
| 2   | <b>Cover</b>                           | Aluminum alloy         |
| 3   | <b>Working piston</b>                  | Aluminum alloy         |
| 4   | <b>Center spring</b>                   | Stainless steel        |
| 5   | <b>Valve guide</b>                     | Aluminum alloy         |
| 6   | <b>Poppet valve</b>                    | Aluminum alloy, Rubber |
| 7   | <b>Shaft</b>                           | Stainless steel        |
| 8   | <b>Sub-plate (Refer to page 1727.)</b> | Aluminum alloy         |



**Working Principle**



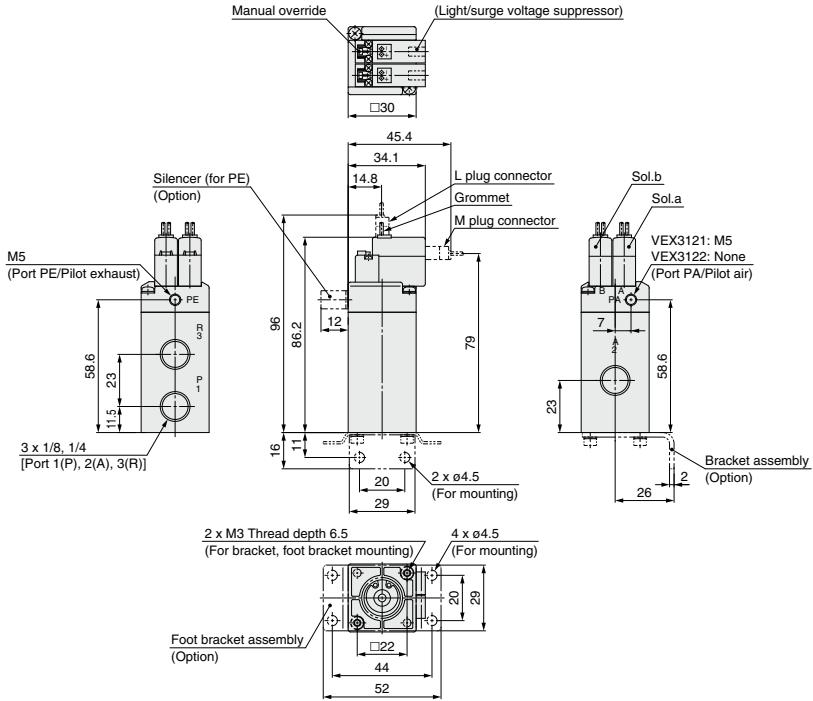
- This is a 3-port switch valve in which the shaft ⑦ extending from the driving piston ③ opens/closes a pair of poppet valves ⑥. The poppet valve has a pressure balancing mechanism in which port 2(A) pressure is constantly applied from the back and the center spring ④ is acting as a backup.
- When neither the pilot solenoid valve “a” nor “b” are energized (or when air is exhausted both from the port 12(P1) and 23(P2) of the air operated type), no force will act on the working piston, and the spring closes the poppet valve, thus the valve assumes the closed center position (Fig. (2)).
- When the pilot solenoid valve “a” is energized (or when pressurized air enters through the port 12(P1) of the air operated type), pilot air that enters the space above the working piston pushes the piston and opens the lower poppet valve, thus connecting the port 1(P) and port 2(A) (Fig. (3)). The upper poppet valve continues to close the port 3(R) by means of pressure balance and the spring.
- When the pilot solenoid valve “b” is energized (or when pressurized air enters through the port 23(P2) of the air operated type), the pilot air that enters the space under the working piston pushes the piston upward and opens the upper poppet valve, thus connecting the port 2(A) and port 3(R) (Fig. (1)). The lower poppet valve continues to close the port 1(P) by means of pressure balance and the spring.

# VEX3 Series

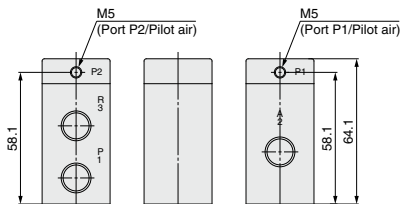
## Dimensions: Body Ported/VEX312 □



External pilot solenoid: VEX3121 Internal pilot solenoid: VEX3122



### Air operated: VEX3120

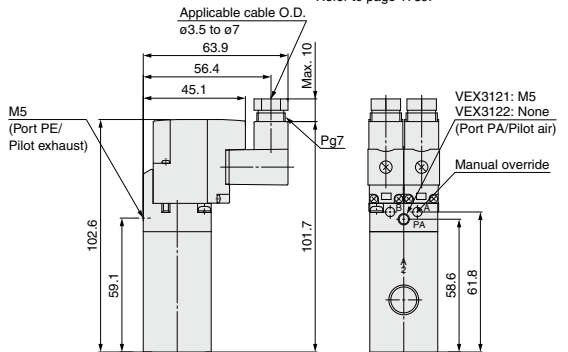


### DIN terminal (D)

#### ⚠ Caution

#### How to Use DIN Terminal Connector

Refer to page 1739.

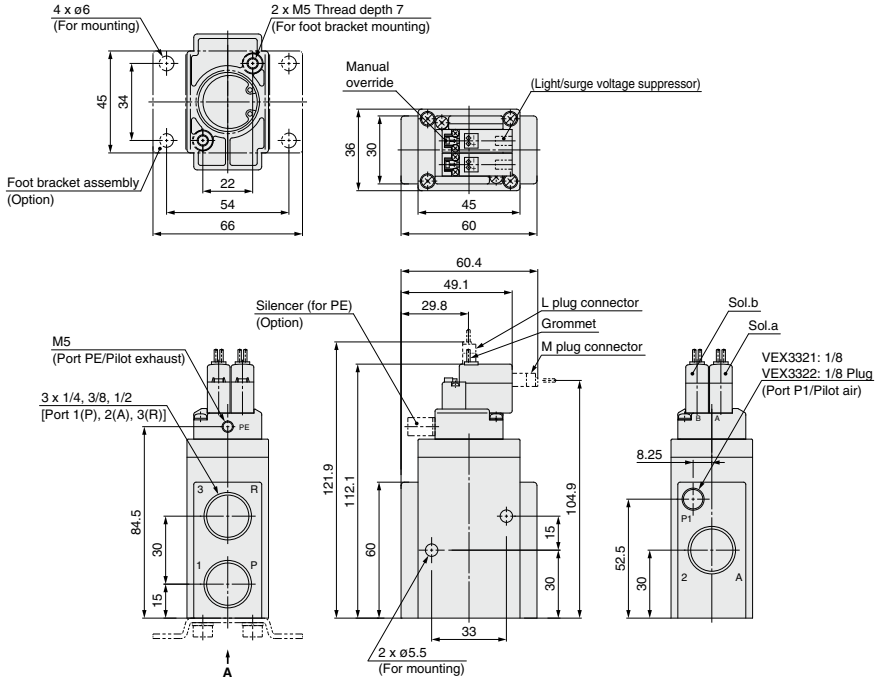




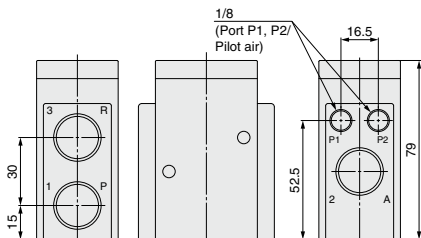
**Dimensions: Body Ported/VEX332**

External pilot solenoid: VEX3321 Internal pilot solenoid: VEX3322

**A perspective drawing**



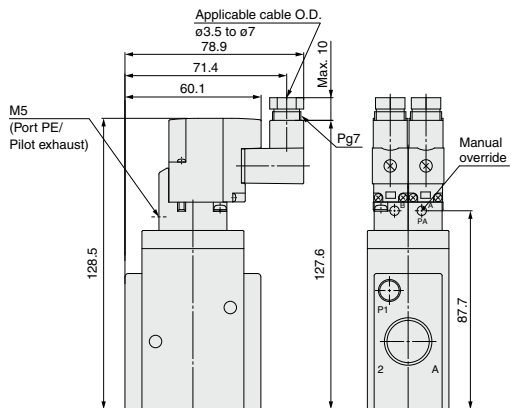
**Air operated: VEX3320**



**DIN terminal (D)**

**Caution**

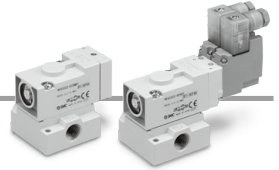
**How to Use DIN Terminal Connector**  
Refer to page 1739.



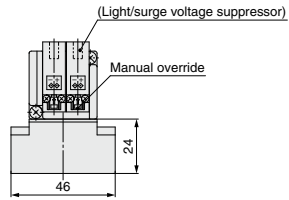
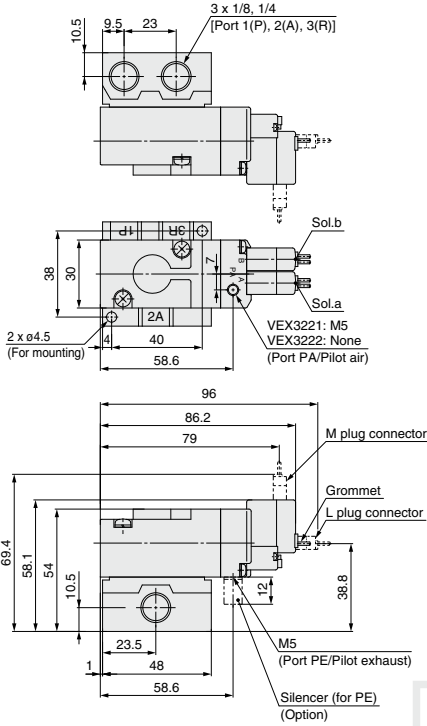
**VEX**

# VEX3 Series

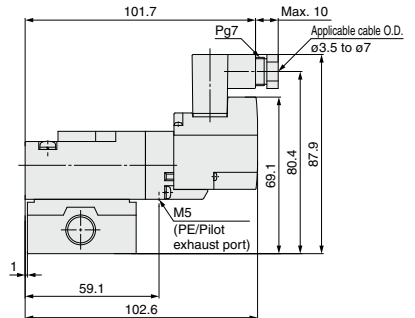
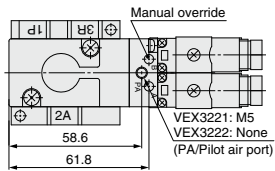
## Dimensions: Base Mounted/VEX322□



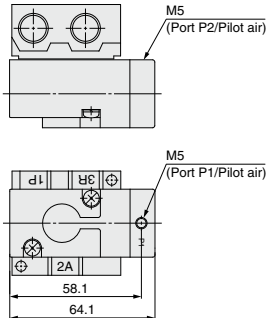
External pilot solenoid: VEX3221 Internal pilot solenoid: VEX3222

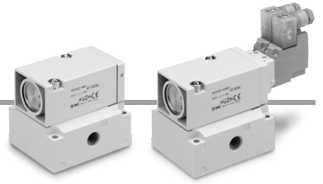


**DIN terminal (D)** **Caution**  
**How to Use DIN Terminal Connector**  
 Refer to page 1739.



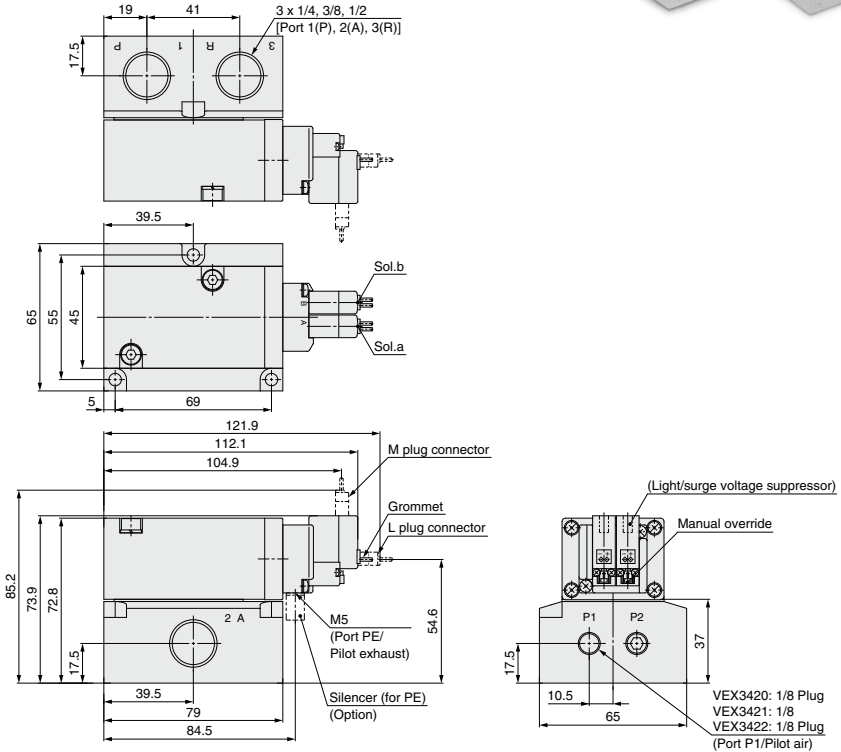
### Air operated: VEX3220



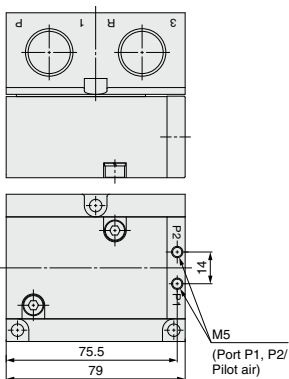


**Dimensions: Base Mounted/VEX342□**

External pilot solenoid: VEX3421 Internal pilot solenoid: VEX3422



**Air operated: VEX3420**

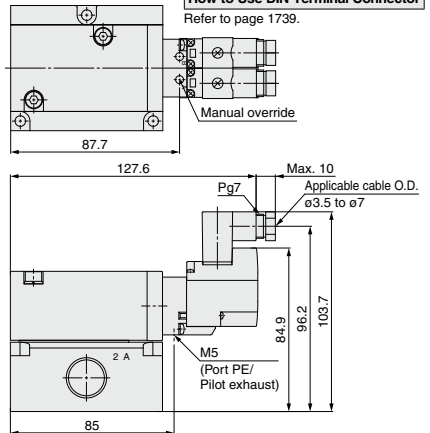


**DIN terminal (D)**

**⚠ Caution**

**How to Use DIN Terminal Connector**

Refer to page 1739.



**VEX**

# 3 Port 3 Position Valve/VEX3 Series Manifold Specifications



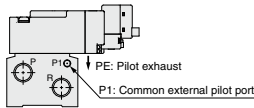
## Specifications

| Model                           |      | VVEX2                                 | VVEX4                             |     |     |
|---------------------------------|------|---------------------------------------|-----------------------------------|-----|-----|
| Applicable valve                |      | VEX3220, VEX3222                      | VEX3420, VEX3422                  |     |     |
| Valve stations (Note)           |      | 2 to 8 stations                       | 2 to 6 stations                   |     |     |
| Port specification              |      | Common SUP, EXH                       |                                   |     |     |
| Manifold pilot type             |      | Internal pilot, Common external pilot |                                   |     |     |
| Common external pilot port size |      | M5 x 0.8 Length of thread 5           |                                   |     |     |
| Port size                       | 1(P) | 1/4                                   | 3/8                               | 3/8 | 1/2 |
|                                 | 3(R) |                                       | 1/4                               | 3/8 | 3/8 |
|                                 | 2(A) |                                       |                                   |     |     |
| Applicable blanking plate       |      | VEX1-17-3A<br>(With gasket, screw)    | VEX4-5-3A<br>(With gasket, screw) |     |     |

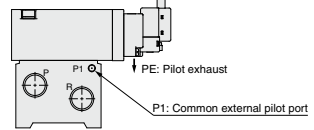
Note) When the VVEX2 series is used with 5 stations or more, or the VVEX4 series is used with 4 stations or more, apply pressure to the port P on both ends and exhaust from the port R on both ends.

## Common External Pilot Piping

VVEX2-2

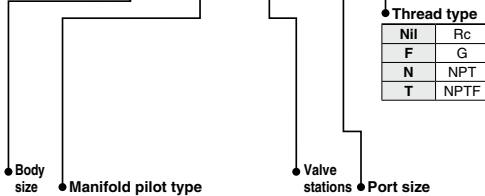


VVEX4-2



## How to Order Manifold Base

VVEX **2** - **1** - **6** - **02** □



| Body size | Pilot type              | Applicable valve                        | Valve stations | Port size |      |      |
|-----------|-------------------------|---|----------------|-----------|------|------|
|           |                         |   |                | Port      | 1(P) | 3(R) |
| 2         | 1 Internal pilot        | VEX3222<br>(Air operated: VEX3220 Note) | 2 2 stations   | 02        | 1/4  |      |
|           | 2 Common external pilot |   | 6 6 stations   |           |      |      |
|           | 8 8 stations            |   |                |           |      |      |
| 4         | 1 Internal pilot        | VEX3422<br>(Air operated: VEX3420 Note) | 2 2 stations   | A         | 3/8  | 1/4  |
|           | 2 Common external pilot |   | 4 4 stations   | B         | 3/8  |      |
|           | 6 6 stations            |   | C              | 1/2       | 3/8  |      |

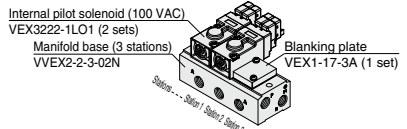
### Note) Air operated

The VEX3220 and VEX3420 (air operated) are used. Distinction between the pilots (internal or common external pilot) of the manifold base does not matter. Either may be used.

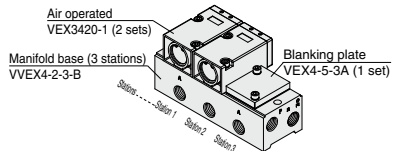
### Example for ordering a manifold base:

The valve and blanking plate for manifold arrangement should be specified in order from the left side of the manifold base (with the port 2(A) on your side).

(Example) VVEX2-2-3-02N  
 \* VEX3222-1L01 2 pcs. } Pilot solenoid  
 \* VEX1-17-3A—1 pc.



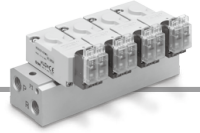
VVEX4-2-3-B  
 \* VEX3420-1—2 pcs. } Air operated  
 \* VEX4-5-3A—1 pc.



## VEX3 Manifold (Size 2, 4) Pilot Type

| Manifold pilot type            | Manifold base part number | Applicable valve part number | Operating pressure range | Pilot pressure range |
|--------------------------------|---------------------------|------------------------------|--------------------------|----------------------|
| Air operated type              | VVEX□-□-□-□               | VEX3220, VEX3420             | -101.2 kPa to 1.0 MPa    | 0.2 to 1.0 MPa       |
| Internal pilot type            | VVEX□-1-□-□               | VEX3222, VEX3422             | 0.2 to 0.7 MPa           | —                    |
| Common external pilot type     | VVEX□-2-□-□               | VEX3222, VEX3421             | -101.2 kPa to 1.0 MPa    | —                    |
| Individual external pilot type | VVEX□-□-□-□               | VEX3221                      | -101.2 kPa to 1.0 MPa    | 0.2 to 0.7 MPa       |

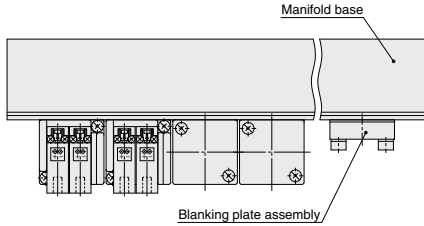
Note) If external pilot types are used, the common external pilot type manifold base is recommended.



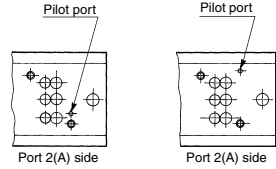
**Dimensions: Manifold/VVEX2-□**

VVEX2-1 Applicable valve: VEX3220/3222

VVEX2-2 Applicable valve: VEX3220/3222

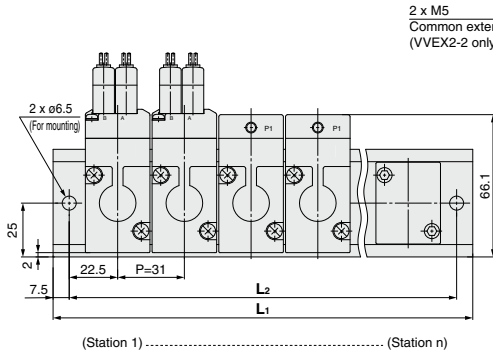


**Valve mounting surface**

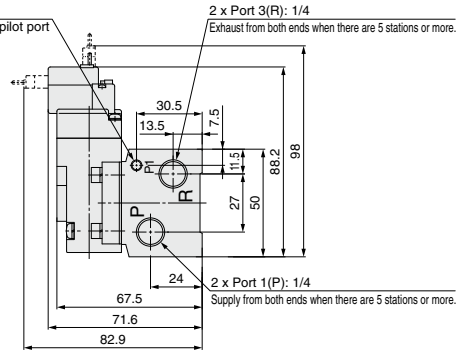


Internal pilot

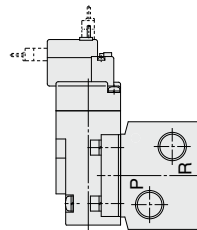
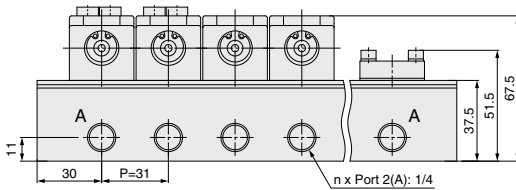
Common external pilot



**VVEX2-2 (Common external pilot)**



**VVEX2-1 (Internal pilot)**

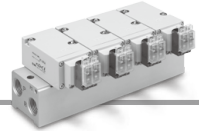


**L Dimensions**

Formula: L<sub>1</sub>=31n+29, L<sub>2</sub>=31n+14 n: Stations

| Station        | 2  | 3   | 4   | 5   | 6   | 7   | 8   |
|----------------|----|-----|-----|-----|-----|-----|-----|
| L <sub>1</sub> | 91 | 122 | 153 | 184 | 215 | 246 | 277 |
| L <sub>2</sub> | 76 | 107 | 138 | 169 | 200 | 231 | 262 |

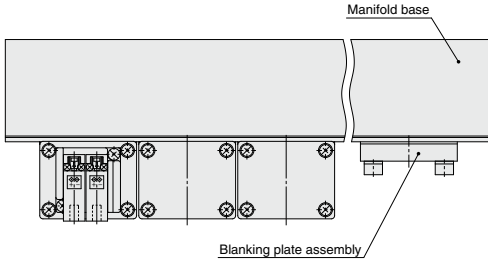
# VEX3 Series



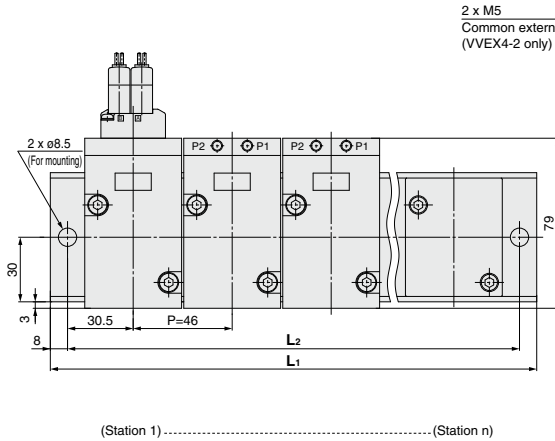
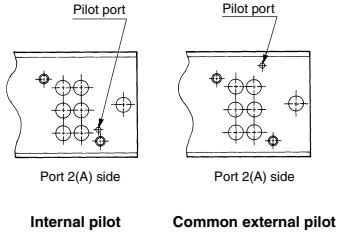
## Dimensions: Manifold/VVEX4-□

VVEX4-1 Applicable valve: VEX3420/3422

VVEX4-2 Applicable valve: VEX3420/3422

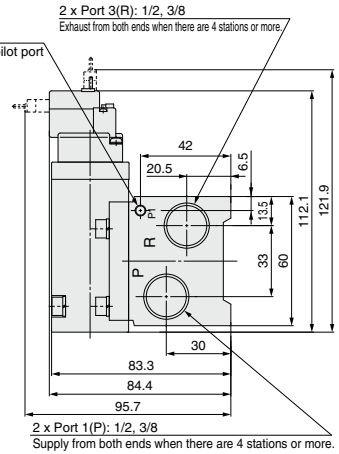


### Valve mounting surface

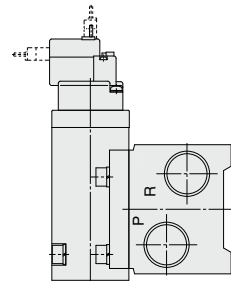
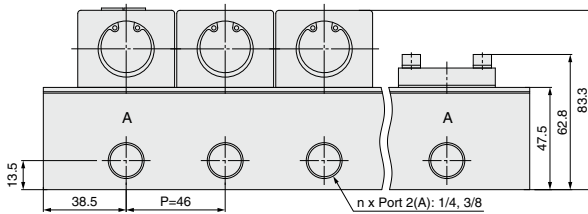


2 x M5  
Common external pilot port  
(VVEX4-2 only)

### VVEX4-2 (Common external pilot)



### VVEX4-1 (Internal pilot)



### L Dimensions

| L dimension    | Station | 2   | 3   | 4   | 5   | 6   |
|----------------|---------|-----|-----|-----|-----|-----|
| L <sub>1</sub> |         | 123 | 169 | 215 | 261 | 307 |
| L <sub>2</sub> |         | 107 | 153 | 199 | 245 | 291 |

L<sub>1</sub>=46n+31, L<sub>2</sub>=46n+15 n: Stations





# VEX3 Series Specific Product Precautions 1

Be sure to read this before handling the products. Refer to back page 50 for Safety Instructions and pages 3 to 9 for 3/4/5 Port Solenoid Valve Precautions.

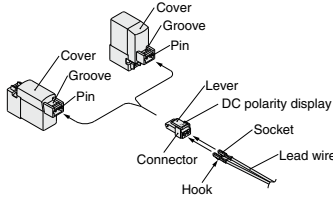
## Connectors for VEX3 Series Body Sizes 12, 22, 32 and 42

### How to Use Plug Connector

#### ⚠ Caution

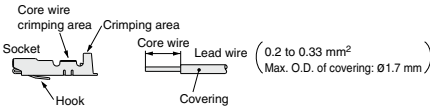
##### 1. Attaching and detaching connectors

- To attach a connector, hold the lever and connector unit between your fingers and insert straight onto the pins of the solenoid valve so that the lever's pawl is pushed into the groove and locks.
- To detach a connector, remove the pawl from the groove by pushing the lever downward with your thumb, and pull the connector straight out.



##### 2. Crimping of lead wires and sockets

Strip 3.2 to 3.7 mm at the end of the lead wires, insert the ends of the core wires evenly into the sockets, and then crimp with a crimping tool. When this is done, take care that the coverings of the lead wires do not enter the core wire crimping area. Use an exclusive crimping tool for crimping. (Please contact SMC for special crimping tools.)



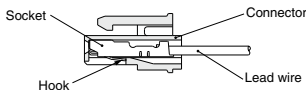
##### 3. Attaching and detaching sockets with lead wires

###### ● Attaching

Insert the sockets into the square holes of the connector (⊕, ⊖ indication), and continue to push the sockets all the way in until they lock by hooking into the seats in the connector. (When they are pushed in, their hooks open and they are locked automatically.) Then confirm that they are locked by pulling lightly on the lead wires.

###### ● Detaching

To detach a socket from a connector, pull out the lead wire while pressing the socket's hook with a stick having a thin tip (approx. 1 mm). If the socket will be used again, first spread the hook outward.



### Plug Connector Lead Wire Length

Standard length is 300 mm, but the following lengths are also available.

#### How to Order Connector Assembly

For DC: **SY100-30-4A** - [ ]

For 100 VAC: **SY100-30-1A** - [ ]

For 200 VAC: **SY100-30-2A** - [ ]

For other voltages of AC: **SY100-30-3A** - [ ]

Without lead wire: **SY100-30-A**  
(with connector and 2 of sockets only)

● Lead wire length

|     |         |
|-----|---------|
| Nil | 300 mm  |
| 6   | 600 mm  |
| 10  | 1000 mm |
| 15  | 1500 mm |
| 20  | 2000 mm |
| 25  | 2500 mm |
| 30  | 3000 mm |
| 50  | 5000 mm |

#### How to Order

Enter the part number for a plug connector solenoid valve without connector together with the part number for a connector assembly.

<Example> Lead wire length 2000 mm

<For DC>

VEX3122-015LO1

SY100-30-4A-20

<For AC>

VEX3122-011LO1

SY100-30-1A-20

VEX



# VEX3 Series Specific Product Precautions 2

Be sure to read this before handling the products. Refer to back page 50 for Safety Instructions and pages 3 to 9 for 3/4/5 Port Solenoid Valve Precautions.

## Connector Assembly with Cover

### Caution

#### Connector assembly with dustproof protective cover

- Effective to prevention of short circuit failure due to the entry of foreign matter into the connector.
- Chloroprene rubber for electrical use, which provides outstanding weather resistance and electrical insulation, is used for the cover material. However, do not allow contact with cutting oil etc.
- Simple and unnumbered appearance by adopting a round-shaped cord.

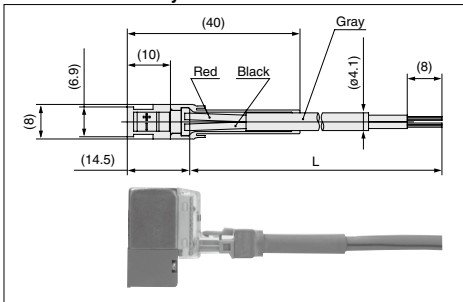
#### How to Order

SY100-68-A -

#### Lead wire length

|     |         |
|-----|---------|
| NII | 300 mm  |
| 6   | 600 mm  |
| 10  | 1000 mm |
| 15  | 1500 mm |
| 20  | 2000 mm |
| 25  | 2500 mm |
| 30  | 3000 mm |
| 50  | 5000 mm |

#### Connector Assembly with Cover: Dimensions



#### How to Order

Enter the part number for a plug connector solenoid valve without connector together with the part number for a connector assembly with cover.

<Example> Lead wire length 2000 mm  
VEX3122-015LO1  
SY100-68-A-20

## Surge Voltage Suppressor

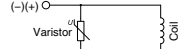
### Caution

<For DC>

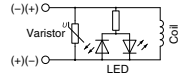
#### Grommet, L/M Plug Connector

#### Non-polar type

##### With surge voltage suppressor (□R)



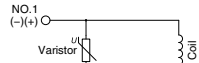
##### With light/surge voltage suppressor (□U)



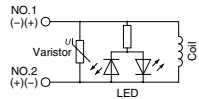
(The non-polar type can be used with the connections made either way.)

#### DIN Terminal

##### With surge voltage suppressor (DS)



##### With light/surge voltage suppressor (DZ)



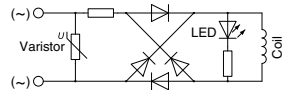
DIN terminal has no polarity.

<For AC>

(There is no S option since a rectifier prevents surge voltage generation.)

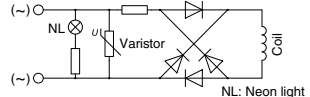
#### Grommet, L/M Plug Connector

##### With light (□Z)



#### DIN Terminal

##### With light (DZ)



Note) Surge voltage suppressor of varistor has residual voltage corresponding to the protective element and rated voltage; therefore, protect the controller side from the surge. The residual voltage of the diode is approximately 1 V.



# VEX3 Series Specific Product Precautions 3

Be sure to read this before handling the products. Refer to back page 50 for Safety Instructions and pages 3 to 9 for 3/4/5 Port Solenoid Valve Precautions.

## How to Use DIN Terminal Connector

### ⚠ Caution

#### Connection

1. Loosen the holding screw and pull the connector out of the solenoid valve terminal block.
2. After removing the holding screw, insert a flat head screwdriver, etc. into the notch on the bottom of the terminal block and pry it open, separating the terminal block and the housing.
3. Loosen the terminal screws (slotted screws) on the terminal block, insert the cores of the lead wires into the terminals according to the connection method, and fasten them securely with the terminal screws.
4. Secure the cord by fastening the ground nut.

### ⚠ Caution

When making connections, take note that using other than the supported size (ø3.5 to ø7) heavy-duty cord will not satisfy IP65 (enclosure) standards. Also, be sure to tighten the ground nut and holding screw within their specified torque ranges.

### ⚠ Caution

#### Changing the entry direction

After separating the terminal block and housing, the cord entry can be changed by attaching the housing in the desired direction (4 directions at 90° intervals).

\* When equipped with a light, be careful not to damage the light with the cord's lead wires.

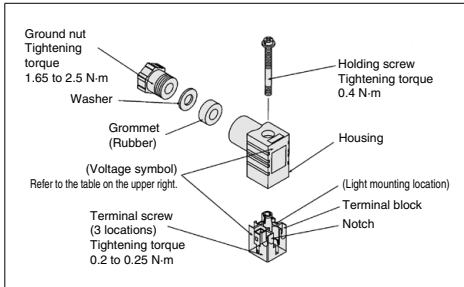
#### Precautions

Plug in and pull out the connector vertically without tilting to one side.

#### Compatible cable

Cord O.D.: ø3.5 to ø7

(Reference) 0.5 mm<sup>2</sup>, 2-core or 3-core, equivalent to JIS C 3306



## DIN Connector Part Number

### ⚠ Caution

#### <Type D>

|               |            |
|---------------|------------|
| Without light | SY100-61-1 |
|---------------|------------|

#### With light

| Rated voltage | Voltage symbol | Part number   |
|---------------|----------------|---------------|
| 24 VDC        | 24 V           | SY100-61-3-05 |
| 12 VDC        | 12 V           | SY100-61-3-06 |
| 100 VAC       | 100 V          | SY100-61-2-01 |
| 200 VAC       | 200 V          | SY100-61-2-02 |
| 110 VAC       | 110 V          | SY100-61-2-03 |
| 220 VAC       | 220 V          | SY100-61-2-04 |

#### Circuit Diagram with Light

