

# SY3000/5000/7000 Series

## Manifold Parts No.

### Ⓐ Manifold block assembly

**SY 3 0M-2-1 D A-C6**

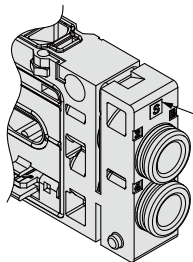
• Series

3	SY3000
5	SY5000
7	SY7000

• Piping direction

1	Side/Top ported
2	Bottom ported

\*: "2" for bottom ported can be selected for the SY5000/7000 series.



Single wiring  
Marked with

• Wiring type

S	Single wiring
D	Double wiring

• A, B port size (One-touch fittings)

Symbol	A, B port	SY3000	SY5000	SY7000	Note
C2	ø2	●	—	—	Side/Bottom ported Metric size
C3	ø3.2	●	—	—	
C4	ø4	●	●	—	
C6	ø6	●	●	●	
C8	ø8	—*1	●	●	
C10	ø10	—	—	●	
C12	ø12	—	—	●	Side/Bottom ported Inch size
N1	ø1/8"	●	—	—	
N3	ø5/32"	●	—	—	
N7	ø1/4"	●	●	●	
N9	ø5/16"	—*1	●	●	
N11	ø3/8"	—	—	●	

\*1: Refer to mixed mounting type for ø8, ø5/16".

Symbol	A, B port	SY3000	SY5000	SY7000	Note	
L4	ø4	●	●	—	Side ported Metric size	
L6	ø6	●	●	—		
L8	ø8	—*1	●	●		
L10	ø10	—	—	●		
L12	ø12	—	—	●		
LN3	ø5/32"	●	—	—		Side ported Inch size
LN7	ø1/4"	●	●	—		
LN9	ø5/16"	—*1	●	—		
LN11	ø3/8"	—	—	●		
B4	ø4	●	●	—	Side ported Metric size	
B6	ø6	●	●	●		
B8	ø8	—*1	●	●		
B10	ø10	—	—	●		
B12	ø12	—	—	●		
BN3	ø5/32"	●	—	—		Side ported Inch size
BN7	ø1/4"	●	●	—		
BN9	ø5/16"	—*1	●	—		
BN11	ø3/8"	—	—	●		
00	Plug	●	●	●	Top ported	

### Ⓐ Mixed mounting of the SY3000/5000 Manifold block assembly for mounting the SY3000

**SY50M-2-3 D A-C6**

• Piping direction

3	Side/Top ported
4	Bottom ported

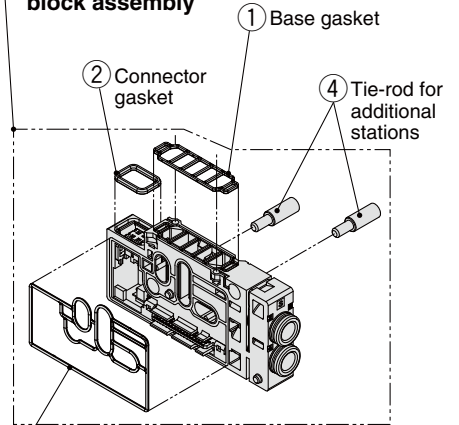
• Wiring type

S	Single wiring
D	Double wiring

• A, B port size (One-touch fittings)

Symbol	A, B port	Note	Symbol	A, B port	Note
C2	ø2	Side/Bottom ported Metric size	L4	ø4	Side ported Metric size
C3	ø3.2		L6	ø6	Side ported Metric size
C4	ø4		LN3	ø5/32"	Side ported
C6	ø6	Side/Bottom ported Inch size	LN7	ø1/4"	Inch size
N1	ø1/8"		B4	ø4	Side ported
N3	ø5/32"		B6	ø6	Metric size
N7	ø1/4"	BN3	ø5/32"	Side ported	
		BN7	ø1/4"	Inch size	
		00	Plug	Top ported	

### Ⓐ Manifold (All parts inside ----- are included.) block assembly



Gaskets are mounted.

### Ⓐ Mixed mounting of the SY3000/5000 Manifold block assembly for mounting the SY3000 for ø8, ø5/16"

(A manifold block assembly for mounting the SY3000 valves on the SY5000 manifolds at A, B port size: ø8, ø5/16")

**SY50M-2-5 D A-C8**

• Piping direction

5	Side ported
6	Bottom ported

• Wiring type

S	Single wiring
D	Double wiring

• A, B port size (One-touch fittings)

Symbol	A, B port	Note
C8	ø8	Side/Bottom ported Metric size
N9	ø5/16"	Side/Bottom ported Inch size
L8	Upward elbow ø8	Side ported Metric size
LN9	Upward elbow ø5/16"	Side ported Inch size
B8	Downward elbow ø8	Side ported Metric size
BN9	Downward elbow ø5/16"	Side ported Inch size

### Manifold block assembly accessories and the number of accessories

Accessories	SY3000	SY5000 SY7000*1
① Base gasket	1 pc.	1 pc.
② Connector gasket	1 pc.	1 pc.
③ Manifold block gasket	1 pc.	1 pc.
④ Tie-rod assembly for additional stations	2 pcs.	3 pcs.

\*1: Including mixed mounting type

### Ⓐ Mixed mounting of the SY5000/7000 Manifold block assembly for mounting the SY5000

**SY70M-2-3 D A-C10**

• Piping direction

3	Side/Bottom ported
4	Bottom ported

• Wiring type

S	Single wiring
D	Double wiring

• A, B port size (One-touch fittings)

Symbol	A, B port	Note	Symbol	A, B port	Note	Symbol	A, B port	Note
C6	ø6	Side/Bottom ported Metric size	L6	ø6	Side ported Metric size	B6	ø6	Side ported
C8	ø8		L8	ø8		B8	ø8	
C10	ø10		L10	ø10		B10	ø10	
C12	ø12	Side/Bottom ported Inch size	L12	ø12	Side ported Inch size	B12	ø12	Side ported Inch size
N7	ø1/4"		LN11	Upward elbow ø3/8"		BN11	Downward elbow ø3/8"	
N9	ø5/16"							
N11	ø3/8"					00	Plug	Top ported

**Manifold Parts No.**

**② SUP/EXH end block assembly**

**SY 3 0M-3-1A**    - **C8** -   

● **Series**

3	SY3000
5	SY5000
7	SY7000

● **Mounting**

Nil	Direct mounting
D0	DIN rail mounting (Without DIN rail)

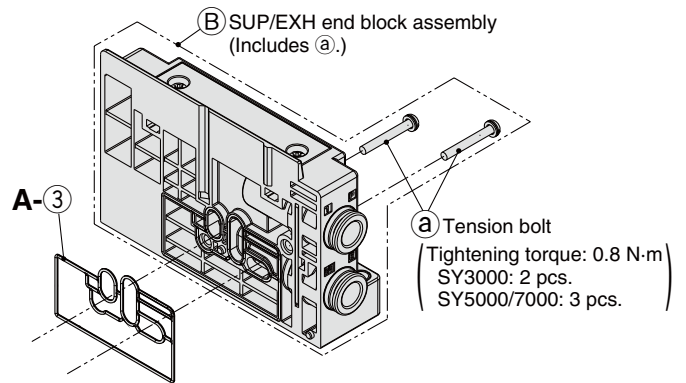
\*: For bottom ported, the symbol is nil.

● **Pilot, Silencer/Piping type**

Symbol	Pilot type		Built-in silencer	Piping direction
	Internal	External		
Nil	●	—	—	Side
S	●	—	●	
R	—	●	—	
V	●	—	—	Top
RV	—	●	—	
VP	●	—	●*1	
B	●	—	—	Bottom
BS	●	—	●	
BR	—	●	—	

\*1: For silencer (supply side). E port is plugged.

\*: "B" for bottom ported can be selected for the SY5000/7000 series.



② SUP/EXH end block assembly (Includes ①.)

① Tension bolt  
(Tightening torque: 0.8 N·m)  
SY3000: 2 pcs.  
SY5000/7000: 3 pcs.

● **P, E port size (One-touch fittings)**

Symbol	P, E port	SY3000	SY5000	SY7000	Note
C8	ø8	●	—	—	Side/Bottom/Top ported Metric size
C10	ø10	—	●	—	
C12	ø12	—	—	●	
N9	ø5/16"	●	—	—	Side/Bottom/Top ported Inch size
N11	ø3/8"	—	●	—	
N13	ø1/2"	—	—	●	
L8	Upward elbow ø8	●	—	—	Side ported Metric size
L10		ø10	—	●	
L12		ø12	—	—	
LN9	Upward elbow ø5/16"	●	—	—	Side ported Inch size
LN11		ø3/8"	—	●	
LN13		ø1/2"	—	—	
B8	Downward elbow ø8	●	—	—	Side ported Metric size
B10		ø10	—	●	
B12		ø12	—	—	
BN9	Downward elbow ø5/16"	●	—	—	Side ported Inch size
BN11		ø3/8"	—	●	
BN13		ø1/2"	—	—	
00*1	Plug	●	●	●	P/E port entry on one side or Top ported

\*1: It can be selected only if no symbol or "S" or "V" or "B" is selected for the pilot and the piping.

**SUP/EXH end block assembly accessories and the number of accessories**

Accessories	SY3000	SY5000/7000
① Tension bolt	2 pcs.	3 pcs.
A-3 Manifold block gasket	1 pc.	

Gasket is mounted.

SJ

SY

SY

S0700

S0700