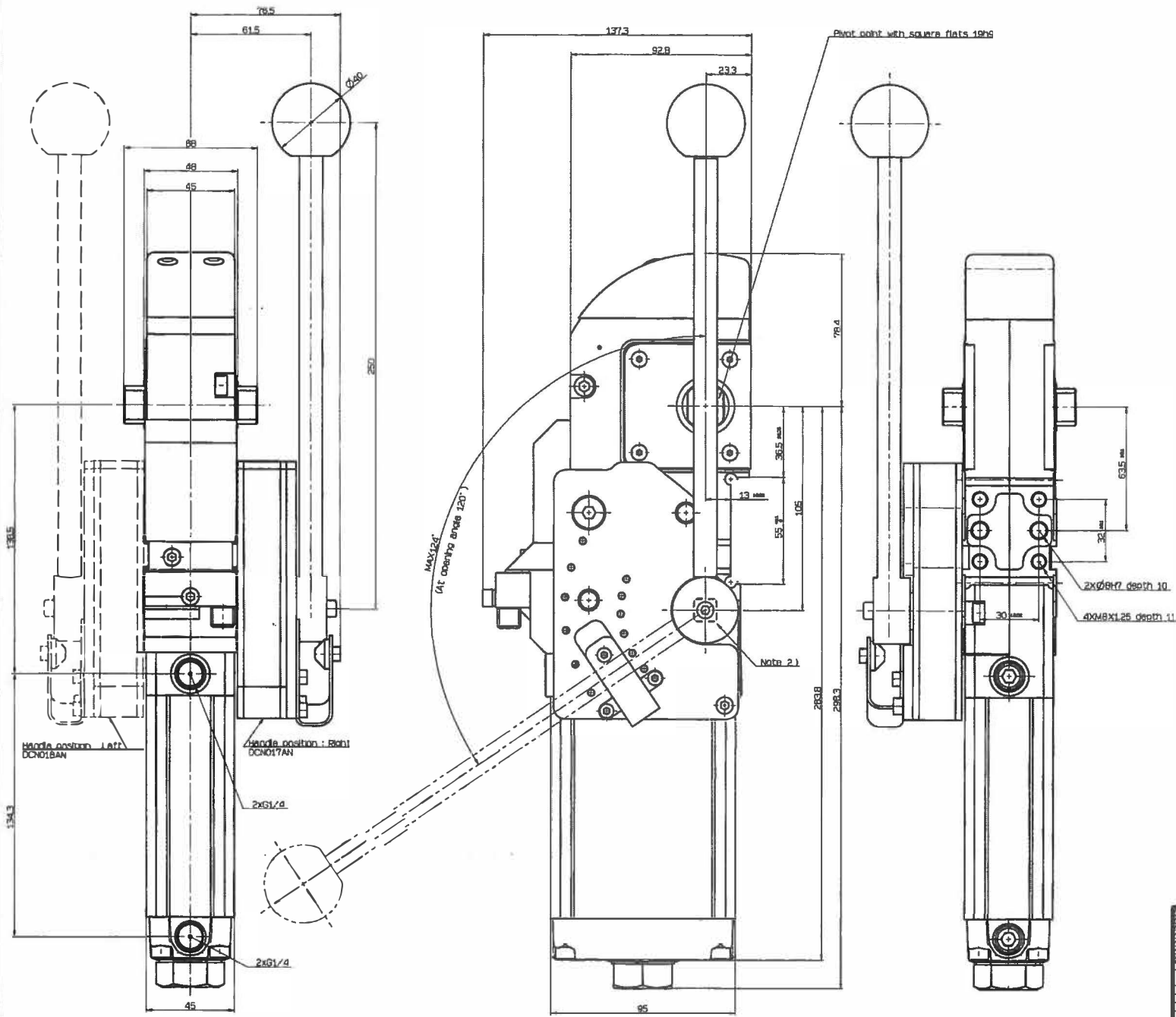
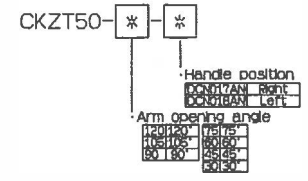


▽ CKZT50-X-DCN01#AN



How To Order



Max. Clamping Moment		Nm	
Bore size(mm)	Max. Clamping Moment	0.3MPa	0.5MPa
50	100	120	180
		190	220
		250	

Max. Cylinder Locking Moment		Nm	
Bore size(mm)	Max. Cylinder Locking Moment	50	800

Specifications	
Bore size	ø50mm EQUIV.
Opening angle	30,45,60,75,90,105,120,135,150
Cushion	Uncrimp slide rubber cushion
Max. Operating Pressure	0.8MPa
Operating Temp Range	-10~60°C without freezing
Min. Operating Time	1.0 second to clamp, 1.0 second to unclamp
Maximum load force to the manual handle	150N

Switch specifications	
Type	M2-06.5-AP6-010-F54.4X3/S304
Sensing distance	21mm
Supply voltage	10~30V DC
Output	N.O./P.N.P
Continuous load current	≤150mA
Switching frequency	30HZ
Material housing	PBT-GF30
Output indication	YELLOW/RED
Power-on indication	GREEN

Specifications
Power clamp cylinder with manual handle

Notes
1) The handle are not exchangeable to opposite position.
2) Refer to Fig.1 for shape of connector on handle.

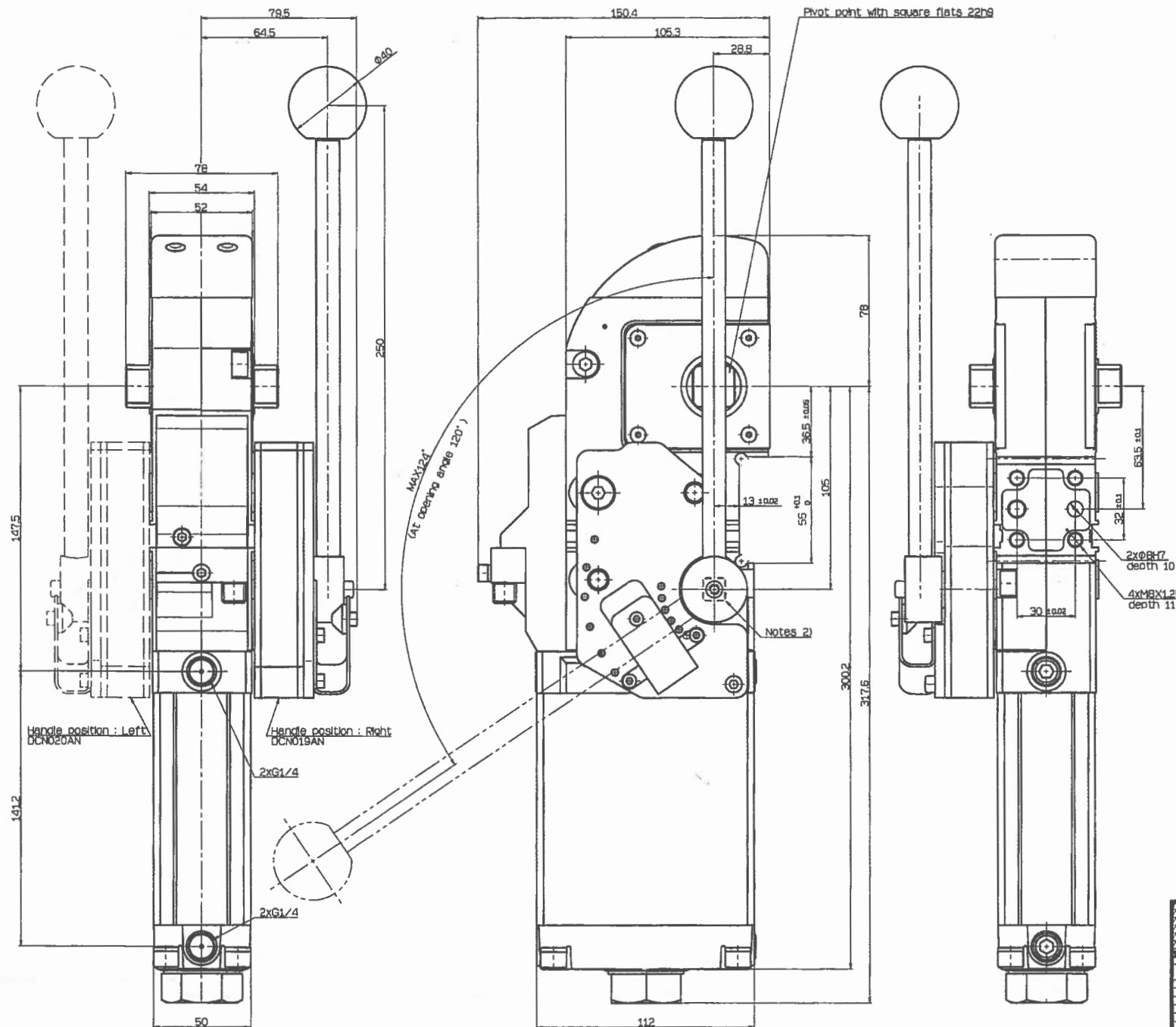


Fig. 1

FINISH:R6AS / PAINT:BB / PACKING:R6AA
MATERIAL:NR / MATERIAL SIZE:NRVA

REV	DESCRIPTION	DATE	BY	SCALE	MODEL
01	INITIAL	2012-05-08	Y/N/OTD	1:1	
02	REWORK	2012-05-08	AT/OTD		
03	REWORK	2012-05-08			
04	REWORK				
05	REWORK				
06	REWORK				
07	REWORK				
08	REWORK				
09	REWORK				
10	REWORK				
11	REWORK				
12	REWORK				
13	REWORK				
14	REWORK				
15	REWORK				
16	REWORK				
17	REWORK				
18	REWORK				
19	REWORK				
20	REWORK				
21	REWORK				
22	REWORK				
23	REWORK				
24	REWORK				
25	REWORK				
26	REWORK				
27	REWORK				
28	REWORK				
29	REWORK				
30	REWORK				
31	REWORK				
32	REWORK				
33	REWORK				
34	REWORK				
35	REWORK				
36	REWORK				
37	REWORK				
38	REWORK				
39	REWORK				
40	REWORK				
41	REWORK				
42	REWORK				
43	REWORK				
44	REWORK				
45	REWORK				
46	REWORK				
47	REWORK				
48	REWORK				
49	REWORK				
50	REWORK				
51	REWORK				
52	REWORK				
53	REWORK				
54	REWORK				
55	REWORK				
56	REWORK				
57	REWORK				
58	REWORK				
59	REWORK				
60	REWORK				
61	REWORK				
62	REWORK				
63	REWORK				
64	REWORK				
65	REWORK				
66	REWORK				
67	REWORK				
68	REWORK				
69	REWORK				
70	REWORK				
71	REWORK				
72	REWORK				
73	REWORK				
74	REWORK				
75	REWORK				
76	REWORK				
77	REWORK				
78	REWORK				
79	REWORK				
80	REWORK				
81	REWORK				
82	REWORK				
83	REWORK				
84	REWORK				
85	REWORK				
86	REWORK				
87	REWORK				
88	REWORK				
89	REWORK				
90	REWORK				
91	REWORK				
92	REWORK				
93	REWORK				
94	REWORK				
95	REWORK				
96	REWORK				
97	REWORK				
98	REWORK				
99	REWORK				
100	REWORK				

CKZT63-3-DCNO**AN



How To Order

CKZT63- * - *

- Handle position
 - DCN019AN Right
 - DCN019AN Left
- Arm opening angle

120	120
105	105
90	90
75	75
60	60
45	45
30	30

Bore size(mm)	Max. Clamping Moment						Nm
	0.3MPa	0.4MPa	0.5MPa	0.6MPa	0.7MPa	0.8MPa	
63	300	350	400	450	500	560	

Bore size(mm)	Max. Cylinder Locking Moment		Nm
	Max. Cylinder Locking Moment		
63	1500		

Specifications

Specifications	
Bore size	Ø63mm EQUIV.
Opening angle	30,45,60,75,90,105,120deg
Cushion	Undamp side rubber cushion
Max. Operating Pressure	0.8MPa
Operating TEMP Range	-10~80°C without freezing
Min. Operating Time	1.0 second to clamp, 1.0 second to unclamp
Maximum load force to the manual handle	150N

Switch specifications

Switch specifications	
Type	N2-Q6.6-AP6-010-FS4.4X3/S304
Sensing distance	2mm
Supply voltage	10~30V DC
Output	N.O./P.N.P
Continuous load current	≤150mA
Switching frequency	30Hz
Material housing	PBT-GP30
Output indication	YELLOW/RED
Power-on indication	GREEN

Specifications
Power clamp cylinder with manual handle

Notes
1) The handle are not exchangeable to opposite position.
2) Refer to Fig.1 for shape of connector on handle.



FINISH:BLACK / PAINT:OR / PACKING:ORER
MATERIAL:HW / MATERIAL SIZE:HWV

REVISION						DATE		REV. NO.		MODEL	
NO.	DATE	DESCRIPTION	BY	CHK.	DATE	NO.	DESCRIPTION	NO.	DESCRIPTION	NO.	DESCRIPTION
1	2012-08-13	INITIAL	YK/OTO	YK/OTO	2012-08-13	1	1:1				
2	2012-08-13	CHANGE	YK/OTO	YK/OTO	2012-08-13	2	SLIM LINE POWER CLAMP CYLIND				
3	2012-08-13	CHANGE	YK/OTO	YK/OTO	2012-08-13	3	CKZT63-3-DCNO**AN				
4	2012-08-13	CHANGE	YK/OTO	YK/OTO	2012-08-13	4	CKZT63-3-DCNO**AN				

090 0 GA00422200 B&C Corporate