

Series 13-22-MXQ $\varnothing 6, \varnothing 8, \varnothing 12, \varnothing 16, \varnothing 20, \varnothing 25$ Air Slide Table



How to Order

Clean series
 13 Vacuum suction type (Special treatment on guide)

Port thread type

| Symbol | Type | Bore size |
|--------|----------|-------------------------------------|
| Nil | M thread | $\varnothing 6$ to $\varnothing 16$ |
| | Rc | $\varnothing 20, \varnothing 25$ |
| TN | NPT | $\varnothing 20, \varnothing 25$ |
| TF | G | $\varnothing 20, \varnothing 25$ |

13—MXQ 12 [] [] 50 [] [] M9N []

22—MXQ 12 [] [] 50 [] [] M9N []

Copper, fluorine and silicone-free + Low particle generation
 22 Vacuum suction type

Symmetric type

| Nil | Standard |
|-----|-----------|
| L | Symmetric |

Number of auto switches

| | |
|-----|----------|
| Nil | 2 pcs. |
| S | 1 pc. |
| n | "n" pcs. |

Auto switch

| Nil | Without auto switch (Built-in magnet) |
|-----|---------------------------------------|
| | |

* For the applicable auto switch model, refer to the table below.

Bore size/Stroke (mm)

| | |
|----|---------------------------------------|
| 6 | 10, 20, 30, 40, 50 |
| 8 | 10, 20, 30, 40, 50, 75 |
| 12 | 10, 20, 30, 40, 50, 75, 100 |
| 16 | 10, 20, 30, 40, 50, 75, 100, 125 |
| 20 | 10, 20, 30, 40, 50, 75, 100, 125, 150 |
| 25 | 10, 20, 30, 40, 50, 75, 100, 125, 150 |


Adjuster option

| | |
|------|---|
| Nil | Without adjuster |
| AS | Extension end adjuster |
| AT | Retraction end adjuster |
| A | Both ends adjuster |
| CS | Extension end metal stopper |
| CT | Retraction end metal stopper |
| C | Both ends metal stopper |
| ASCT | Extension end adjuster + Retraction end metal stopper |
| CSAT | Extension end metal stopper + Retraction end adjuster |

Functional option

| Nil | Standard |
|----------|--------------|
| P (Note) | Axial piping |

Note) The combination of axial piping and both ends adjusters or retraction end adjuster is not available.



Auto Switch Specifications (Refer to the WEB catalog for detailed specifications and auto switches not in the following table.)

| Type | Special function | Electrical entry | Indicator light | Wiring (Output) | Load voltage | | Auto switch model | Lead wire length (m) * | | | | Applicable load | | |
|-------------------------|------------------|------------------|-----------------|-----------------|--------------|------|-------------------|----------------------------|---|---|-----------|-----------------|-------|------------|
| | | | | | DC | AC | | Electrical entry direction | | | | | | |
| | | | | | | | In-line | | | | 0.5 (Nil) | | 1 (M) | 3 (L) |
| Reed auto switch | — | Grommet | Yes | 2-wire | 24 V | 12 V | 100 V | A93 | ● | — | ● | — | — | Relay, PLC |
| Solid state auto switch | — | Grommet | Yes | 3-wire (NPN) | 24 V | 12 V | — | M9N | ● | ● | ● | ○ | — | Relay, PLC |
| | | | | 2-wire | | | | M9B | ● | ● | ● | ○ | — | — |

* Lead wire length symbols: 0.5 m Nil (Example) M9N
 1 m M (Example) M9NM
 3 m L (Example) M9NL
 5 m Z (Example) M9NZ

PLC: Programmable Logic Controller

Refer to page 889 for the applicable auto switch list.

Specifications

| | | | | | | |
|--------------------------------------|--|------------------|----|----|----|----|
| Bore size (mm) | 6 | 8 | 12 | 16 | 20 | 25 |
| Fluid | Air | | | | | |
| Action | Double acting | | | | | |
| Operating pressure | 0.15 to 0.7 MPa | | | | | |
| Proof pressure | 1.05 MPa | | | | | |
| Ambient and fluid temperature | -10 to 60°C (No freezing) | | | | | |
| Piston speed | 50 to 300 mm/s (Adjuster option/Metal stopper: 50 to 200 mm/s) | | | | | |
| Cushion | Rubber bumper (Standard, Adjuster option/Rubber stopper) None (Adjuster option/Metal stopper) | | | | | |
| Lubrication | Non-lube | | | | | |
| Stroke length tolerance | +1 0 mm | | | | | |
| Grease | 13-: Fluorine grease 22-: Lithium soap based grease | | | | | |
| Cleanliness class (ISO class) | Without adjuster | 13-/22-: Class 5 | | | | |
| | Rubber stopper | 13-/22-: Class 6 | | | | |
| | Metal stopper | 13-/22-: Class 6 | | | | |

Suction Flow Rate of Vacuum Suction Type (Reference values)

| Bore size | Suction flow rate L/min (ANR) |
|-----------|-------------------------------|
| 6, 8, 12 | 1 |
| 16 | 2 |
| 20 | 3 |
| 25 | 5 |

Adjuster Option: Stroke Adjustment Range

| | | |
|----------------|---------------------|--------------------------------------|
| Rubber stopper | Extension end (AS) | Stroke adjustment range 0 to 5 mm |
| | Retraction end (AT) | |
| | Both ends (A) | |
| Metal stopper | Extension end (CS) | Stroke adjustment range 0 to 5 mm |
| | Retraction end (CT) | |
| | Both ends (C) | |

Proper Auto Switch Mounting Position (Detection at Stroke End)



Reed auto switch: D-A93

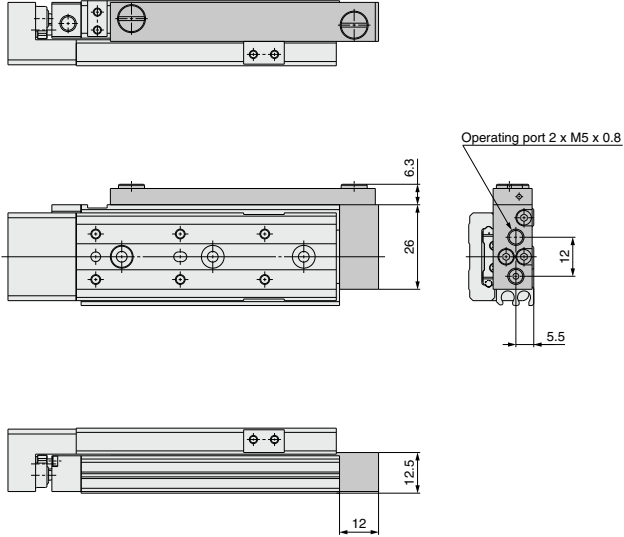
| Model | A | B Stroke | | | | | | | | | | E Stroke | | | | | | | | | | Auto switch operating range |
|-----------------|------|----------|------|------|------|------|------|------|------|------|-----|----------|-----|------|------|------|-----|-----|-----|--|--|-----------------------------|
| | | 10 | 20 | 30 | 40 | 50 | 75 | 100 | 125 | 150 | 10 | 20 | 30 | 40 | 50 | 75 | 100 | 125 | 150 | | | |
| 13-/22-MXQ6(L) | 6 | 5.5 | 5.5 | 5.5 | 13.5 | 13.5 | — | — | — | — | 1 | 1 | 1 | 9 | 9 | — | — | — | 4.5 | | | |
| 13-/22-MXQ8(L) | 7.5 | 8 | 8 | 12 | 16 | 31 | 32 | — | — | — | 3.5 | 3.5 | 7.5 | 11.5 | 26.5 | 27.5 | — | — | 5 | | | |
| 13-/22-MXQ12(L) | 11.5 | 24.5 | 14.5 | 14.5 | 21.5 | 21.5 | 40.5 | 40.5 | — | 20 | 10 | 10 | 17 | 17 | 36 | 36 | — | — | 6 | | | |
| 13-/22-MXQ16(L) | 16.5 | 30.5 | 20.5 | 20.5 | 20.5 | 26.5 | 33.5 | 51.5 | 51.5 | — | 26 | 16 | 16 | 16 | 22 | 29 | 47 | 47 | 7 | | | |
| 13-/22-MXQ20(L) | 19 | 43.5 | 33.5 | 23.5 | 33.5 | 31.5 | 39.5 | 71.5 | 74.5 | 77.5 | 39 | 29 | 19 | 29 | 27 | 35 | 67 | 70 | 8 | | | |
| 13-/22-MXQ25(L) | 22 | 52.5 | 42.5 | 32.5 | 32.5 | 46.5 | 46.5 | 60.5 | 88.5 | 88.5 | 48 | 38 | 28 | 28 | 42 | 42 | 56 | 84 | 9 | | | |

Solid state auto switch: D-M9B, D-M9N

| Model | A | B Stroke | | | | | | | | | | E Stroke | | | | | | | | | | Auto switch operating range |
|-----------------|------|----------|------|------|------|------|------|------|------|------|------|----------|------|------|------|------|------|------|-----|--|--|-----------------------------|
| | | 10 | 20 | 30 | 40 | 50 | 75 | 100 | 125 | 150 | 10 | 20 | 30 | 40 | 50 | 75 | 100 | 125 | 150 | | | |
| 13-/22-MXQ6(L) | 10 | 9.5 | 9.5 | 9.5 | 17.5 | 17.5 | — | — | — | — | -0.5 | -0.5 | -0.5 | 7.5 | 7.5 | — | — | — | 1.5 | | | |
| 13-/22-MXQ8(L) | 11.5 | 12 | 12 | 16 | 20 | 35 | 36 | — | — | — | 2 | 2 | 6 | 10 | 25 | 26 | — | — | 1.5 | | | |
| 13-/22-MXQ12(L) | 15.5 | 28.5 | 18.5 | 18.5 | 25.5 | 25.5 | 44.5 | 44.5 | — | 18.5 | 8.5 | 8.5 | 15.5 | 15.5 | 34.5 | 34.5 | — | — | 2.5 | | | |
| 13-/22-MXQ16(L) | 20.5 | 34.5 | 24.5 | 24.5 | 24.5 | 30.5 | 37.5 | 55.5 | 55.5 | — | 24.5 | 14.5 | 14.5 | 14.5 | 20.5 | 27.5 | 45.5 | 45.5 | 3 | | | |
| 13-/22-MXQ20(L) | 23 | 47.5 | 37.5 | 27.5 | 37.5 | 35.5 | 43.5 | 75.5 | 78.5 | 81.5 | 37.5 | 27.5 | 17.5 | 27.5 | 25.5 | 33.5 | 65.5 | 68.5 | 3 | | | |
| 13-/22-MXQ25(L) | 27 | 56.5 | 46.5 | 36.5 | 36.5 | 50.5 | 50.5 | 64.5 | 92.5 | 92.5 | 46.5 | 36.5 | 26.5 | 26.5 | 40.5 | 40.5 | 54.5 | 82.5 | 3 | | | |

Dimensions: ¹³⁻₂₂₋**MXQ6**

Axial piping (ø6): ¹³⁻₂₂₋**MXQ6-□□P**



* Other dimensions are the same as basic type.

Directional Control Valves

Air Cylinders

Rotary Actuators

Air Grippers

Air Preparation Equipment

Modular F. R.

Pressure Control Equipment

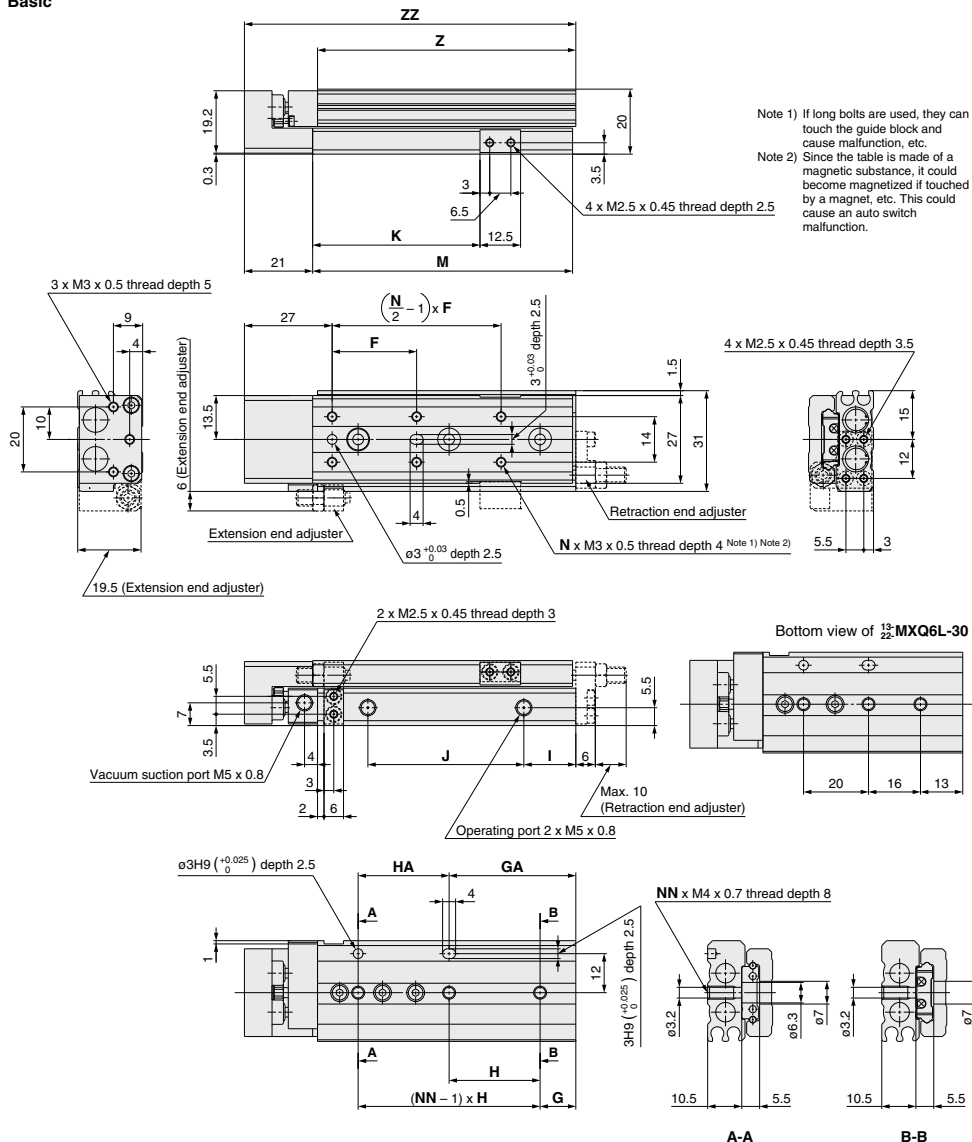
Fittings & Tubing

Flow Control Equipment

Pressure Switches/ Pressure Sensors

Dimensions: 13-22-MXQ6L / Symmetric Type

Basic

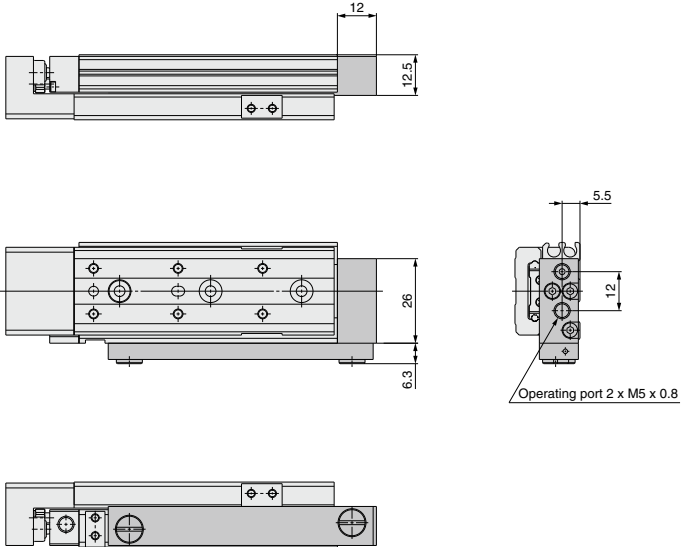


| Model | F | N | G | H | NN | GA | HA | I | J | K | M | Z | ZZ |
|-----------------|----|---|--------|--------|----|----|----|----|----|------|----|------|-----|
| 13-/22-MXQ6L-10 | 22 | 4 | 6 | 23 | 2 | 13 | 16 | 9 | 17 | 21.5 | 42 | 41.5 | 64 |
| 13-/22-MXQ6L-20 | 25 | 4 | 13 | 26 | 2 | 13 | 26 | 9 | 27 | 31.5 | 52 | 51.5 | 74 |
| 13-/22-MXQ6L-30 | 21 | 6 | (Note) | (Note) | 3 | 29 | 20 | 9 | 37 | 41.5 | 62 | 61.5 | 84 |
| 13-/22-MXQ6L-40 | 26 | 6 | 11 | 28 | 3 | 39 | 28 | 16 | 48 | 51.5 | 80 | 79.5 | 102 |
| 13-/22-MXQ6L-50 | 27 | 6 | 21 | 28 | 3 | 49 | 28 | 9 | 65 | 61.5 | 90 | 89.5 | 112 |

(mm)
 Note) Refer to the bottom view of 13-22-MXQ6-30.

Dimensions: ¹³⁻/₂₂₋MXQ6L / Symmetric Type

Axial piping (ø6): ¹³⁻/₂₂₋MXQ6L-□□P



* Other dimensions are the same as basic type.

Directional
Control Valves

Air Cylinders

Rotary Actuators

Air Grippers

Air Preparation
Equipment

Modular F. R.

Pressure Control
Equipment

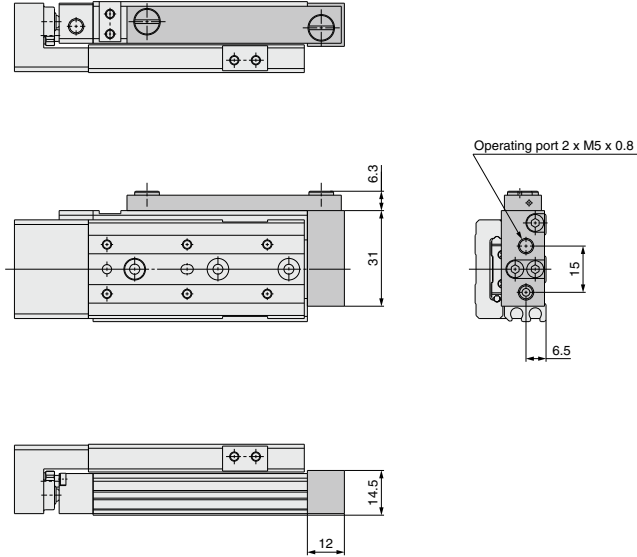
Fittings & Tubing

Flow Control
Equipment

Pressure Switches/
Pressure Sensors

Dimensions: ¹³⁻₂₂₋MXQ8

Axial piping (ø8): ¹³⁻₂₂₋MXQ8-□□P



* Other dimensions are the same as basic type.

Directional Control Valves

Air Cylinders

Rotary Actuators

Air Grippers

Air Preparation Equipment

Modular F. R.

Pressure Control Equipment

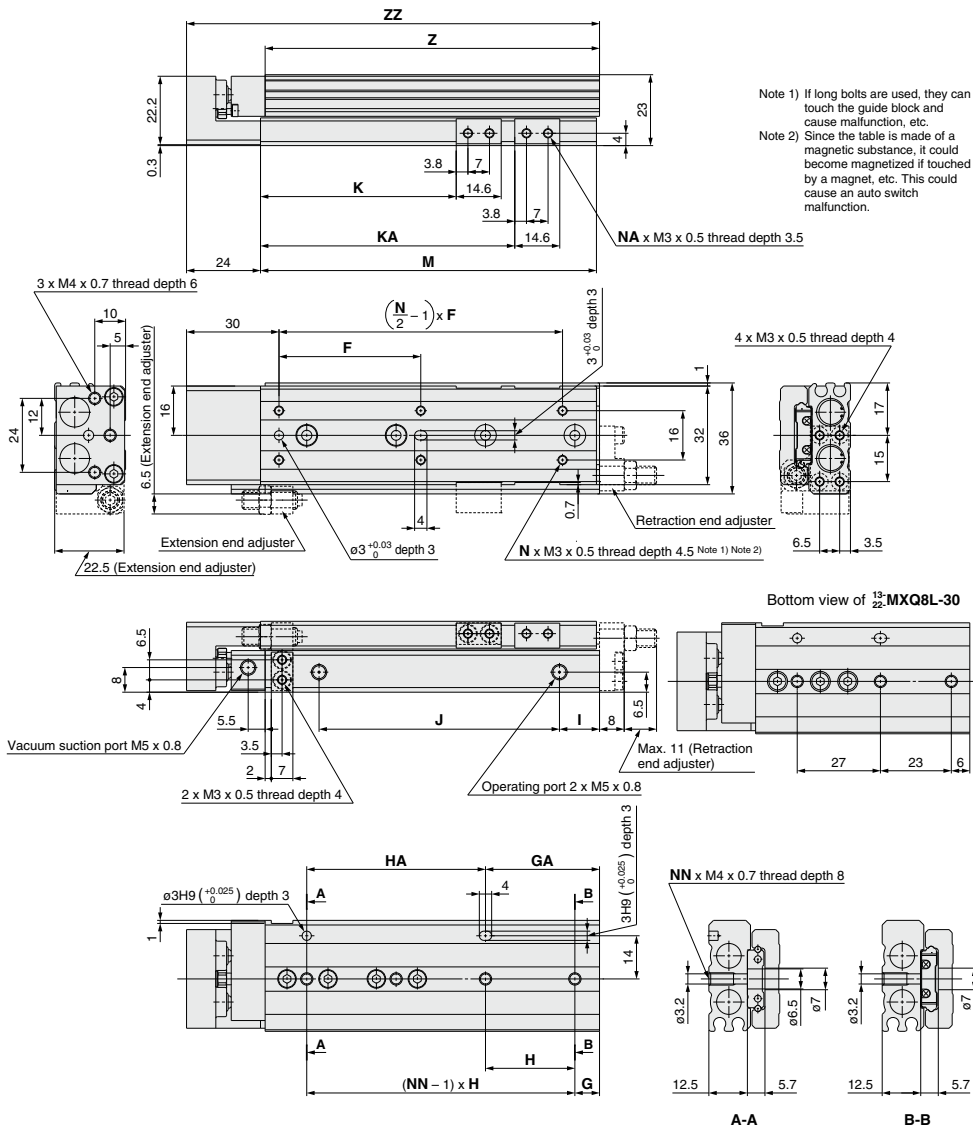
Fittings & Tubing

Flow Control Equipment

Pressure Switches/ Pressure Sensors

Dimensions: 13-22-MXQ8L / Symmetric Type

Basic



Note 1) If long bolts are used, they can touch the guide block and cause malfunction, etc.
 Note 2) Since the table is made of a magnetic substance, it could become magnetized if touched by a magnet, etc. This could cause an auto switch malfunction.

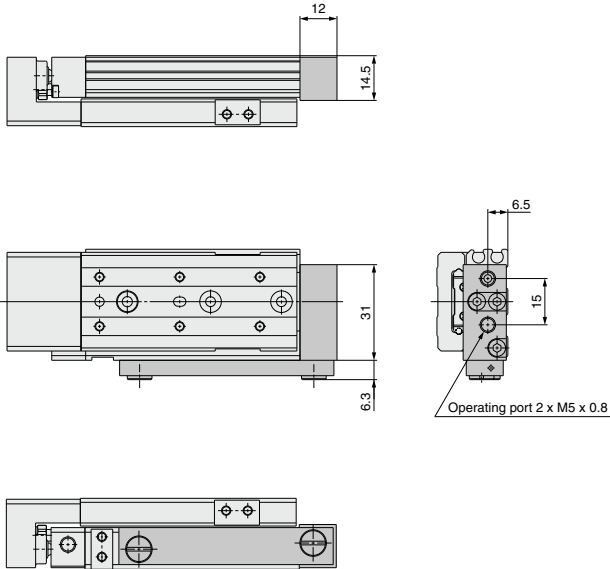
| Model | F | N | G | H | NN | GA | HA | I | J | K | KA | NA | M | Z | ZZ |
|----------------|----|---|-----------------------|-----------------------|----|----|----|----|-----|------|-------|----|-----|-------|-----|
| 13-22-MXQ8L-10 | 25 | 4 | 7 | 25 | 2 | 13 | 19 | 11 | 17 | 23.5 | — | 4 | 46 | 45.5 | 71 |
| 13-22-MXQ8L-20 | 25 | 4 | 14 | 28 | 2 | 14 | 28 | 10 | 28 | 33.5 | — | 4 | 56 | 55.5 | 81 |
| 13-22-MXQ8L-30 | 26 | 6 | <small>(Note)</small> | <small>(Note)</small> | 3 | 29 | 27 | 12 | 40 | 43.5 | — | 4 | 70 | 69.5 | 95 |
| 13-22-MXQ8L-40 | 32 | 6 | 8 | 31 | 3 | 39 | 31 | 14 | 52 | 53.5 | — | 4 | 84 | 83.5 | 109 |
| 13-22-MXQ8L-50 | 46 | 6 | 8 | 29 | 4 | 37 | 58 | 13 | 78 | 63.5 | 82.5 | 8 | 109 | 108.5 | 134 |
| 13-22-MXQ8L-75 | 50 | 6 | 31 | 30 | 4 | 61 | 60 | 12 | 105 | 88.5 | 112.5 | 8 | 135 | 134.5 | 160 |

(mm)
 Note) Refer to the bottom view of 13-22-MXQ8L-30.



Dimensions: ¹³⁻₂₂₋MXQ8L / Symmetric Type

Axial piping (ø8): ¹³⁻₂₂₋MXQ8L-□□P



* Other dimensions are the same as basic type.

Directional Control Valves

Air Cylinders

Rotary Actuators

Air Grippers

Air Preparation Equipment

Modular F. R.

Pressure Control Equipment

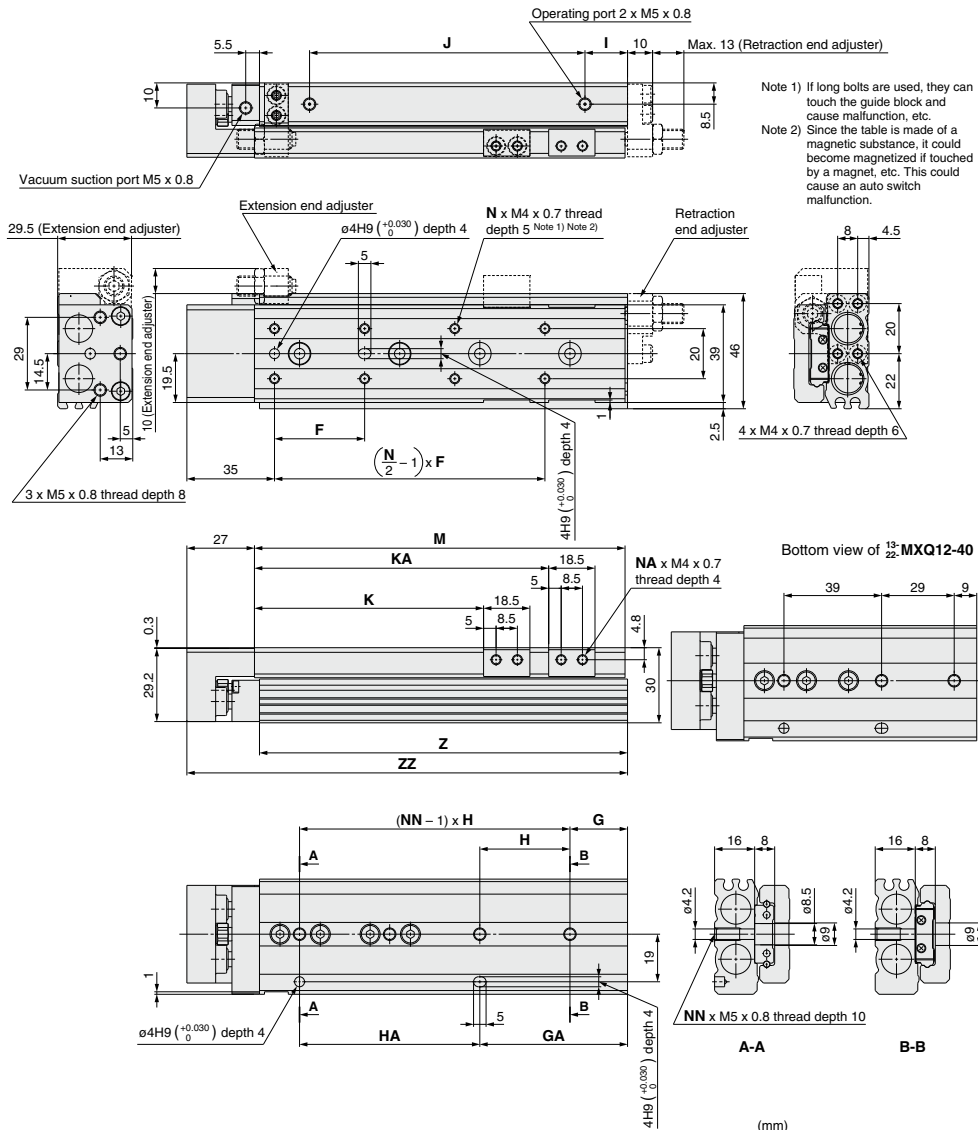
Fittings & Tubing

Flow Control Equipment

Pressure Switches/ Pressure Sensors

Dimensions: **13-22-MXQ12**

Basic

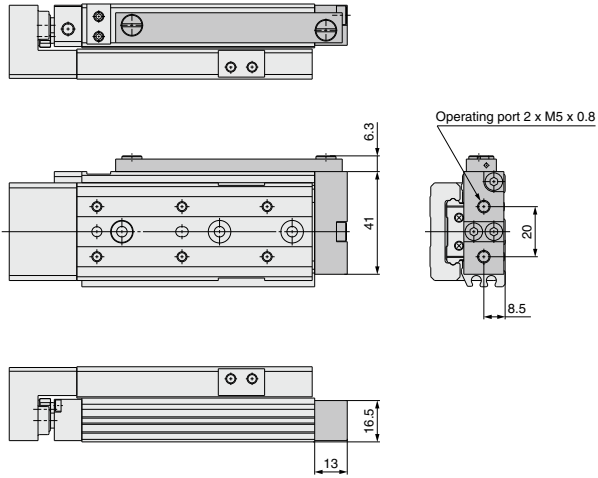


| Model | F | N | G | H | NN | GA | HA | I | J | K | KA | NA | M | Z | ZZ |
|-----------------|----|----|------------------------|------------------------|----|----|----|----|-----|-------|-------|----|-----|-----|-----|
| 13-22-MXQ12- 10 | 28 | 4 | 18 | 32 | 2 | 18 | 32 | 12 | 34 | 26.5 | — | 4 | 67 | 66 | 95 |
| 13-22-MXQ12- 20 | 28 | 4 | 18 | 32 | 2 | 18 | 32 | 12 | 34 | 36.5 | — | 4 | 67 | 66 | 95 |
| 13-22-MXQ12- 30 | 38 | 4 | 20 | 40 | 2 | 20 | 40 | 14 | 42 | 46.5 | — | 4 | 77 | 76 | 105 |
| 13-22-MXQ12- 40 | 34 | 6 | $\frac{N_{(Note)}}{2}$ | $\frac{H_{(Note)}}{2}$ | 3 | 38 | 39 | 15 | 58 | 56.5 | — | 4 | 94 | 93 | 122 |
| 13-22-MXQ12- 50 | 34 | 6 | 9 | 39 | 3 | 48 | 39 | 13 | 70 | 66.5 | — | 4 | 104 | 103 | 132 |
| 13-22-MXQ12- 75 | 36 | 8 | 23 | 36 | 4 | 59 | 72 | 17 | 110 | 91.5 | 117.5 | 8 | 148 | 147 | 176 |
| 13-22-MXQ12-100 | 36 | 10 | 12 | 36 | 5 | 84 | 72 | 17 | 135 | 116.5 | 142.5 | 8 | 173 | 172 | 201 |

Note) Refer to the bottom view of **13-22-MXQ12-40**.

Dimensions: ¹³⁻₂₂₋MXQ12

Axial piping (ø12): ¹³⁻₂₂₋MXQ12-□□P



* Other dimensions are the same as basic type.

Directional Control Valves

Air Cylinders

Rotary Actuators

Air Grippers

Air Preparation Equipment

Modular F. R.

Pressure Control Equipment

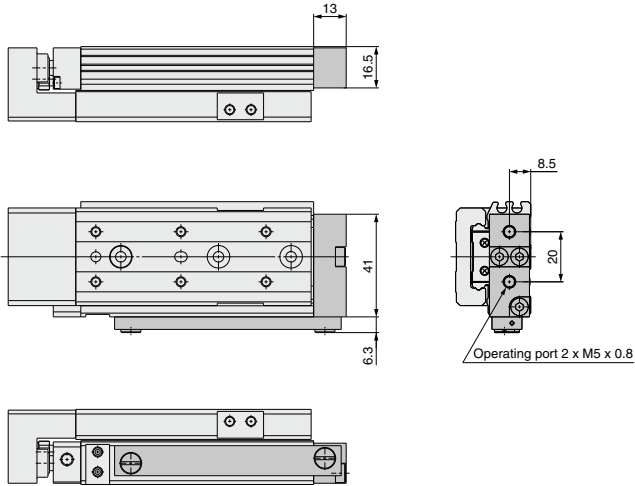
Fittings & Tubing

Flow Control Equipment

Pressure Switches/ Pressure Sensors

Dimensions: 13-22-MXQ12L / Symmetric Type

Axial piping (ø12): 13-22-MXQ12L-□□P



* Other dimensions are the same as basic type.

Directional Control Valves

Air Cylinders

Rotary Actuators

Air Grippers

Air Preparation Equipment

Modular F. R.

Pressure Control Equipment

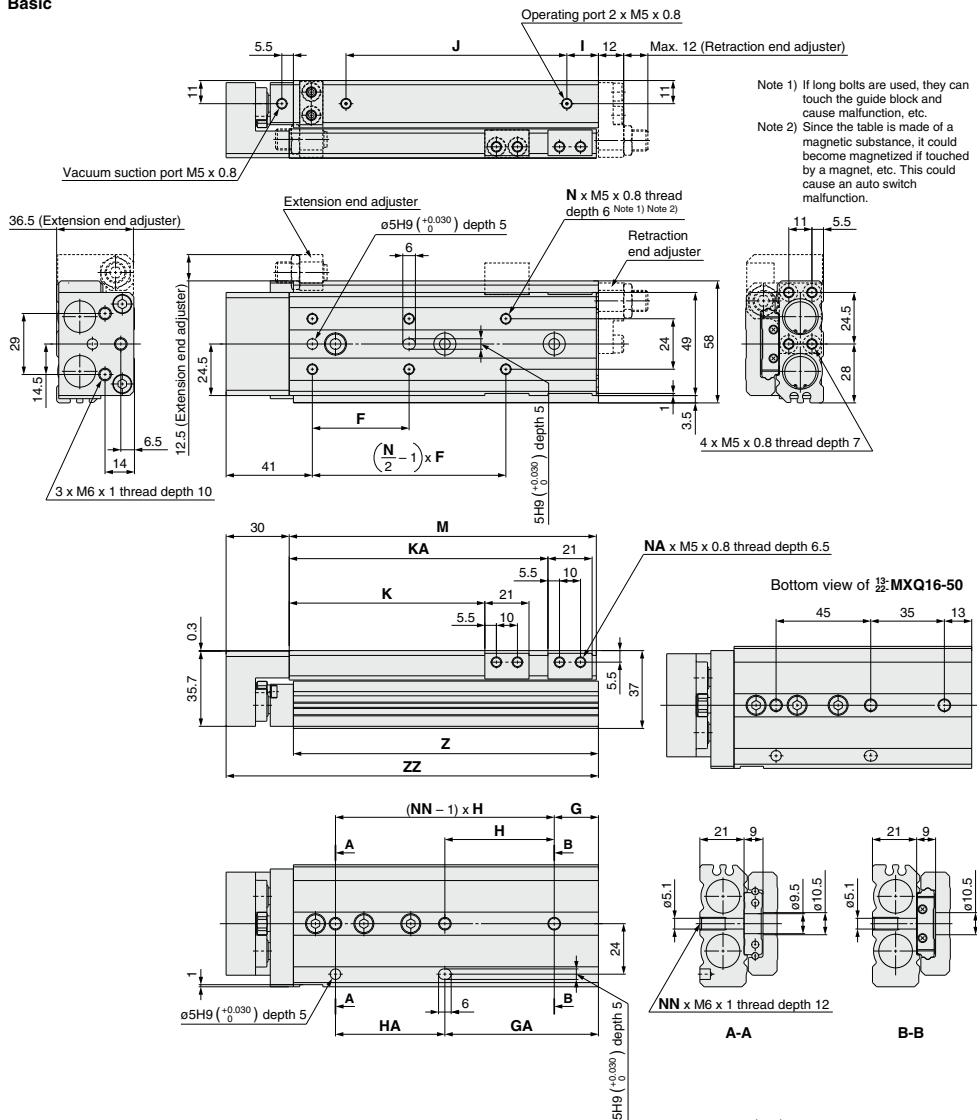
Fittings & Tubing

Flow Control Equipment

Pressure Switches/ Pressure Sensors

Dimensions: **13-22-MXQ16**

Basic



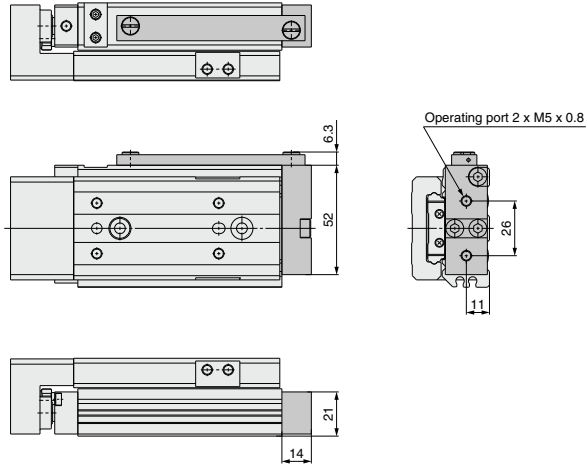
Note 1) If long bolts are used, they can touch the guide block and cause malfunction, etc.
 Note 2) Since the table is made of a magnetic substance, it could become magnetized if touched by a magnet, etc. This could cause an auto switch malfunction.

| Model | F | N | G | H | NN | GA | HA | I | J | K | KA | NA | M | Z | ZZ |
|-----------------|----|----|----------------------|------------------------|----|-----|----|----|-----|-----|-----|----|-----|-----|-----|
| 13-22-MXQ16- 10 | 38 | 4 | 18 | 39 | 2 | 18 | 39 | 12 | 40 | 28 | — | 4 | 78 | 77 | 109 |
| 13-22-MXQ16- 20 | 38 | 4 | 18 | 39 | 2 | 18 | 39 | 12 | 40 | 38 | — | 4 | 78 | 77 | 109 |
| 13-22-MXQ16- 30 | 48 | 4 | 19 | 48 | 2 | 19 | 48 | 12 | 50 | 48 | — | 4 | 88 | 87 | 119 |
| 13-22-MXQ16- 40 | 58 | 4 | 19 | 58 | 2 | 19 | 58 | 12 | 60 | 58 | — | 4 | 98 | 97 | 129 |
| 13-22-MXQ16- 50 | 40 | 6 | <small>M(No)</small> | <small>Not(No)</small> | 3 | 48 | 45 | 20 | 68 | 68 | 91 | 8 | 114 | 113 | 145 |
| 13-22-MXQ16- 75 | 46 | 6 | 21 | 52 | 3 | 73 | 52 | 15 | 105 | 93 | 123 | 8 | 146 | 145 | 177 |
| 13-22-MXQ16-100 | 44 | 8 | 36 | 44 | 4 | 80 | 88 | 18 | 145 | 118 | 166 | 8 | 189 | 188 | 220 |
| 13-22-MXQ16-125 | 44 | 10 | 17 | 44 | 5 | 105 | 88 | 23 | 165 | 143 | 191 | 8 | 214 | 213 | 245 |

Note) Refer to the bottom view of **13-22-MXQ16-50**.

Dimensions: ¹³⁻₂₂₋**MXQ16**

Axial piping (ø16): ¹³⁻₂₂₋**MXQ16-□□P**



* Other dimensions are the same as basic type.

Directional Control Valves

Air Cylinders

Rotary Actuators

Air Grippers

Air Preparation Equipment

Modular F. R.

Pressure Control Equipment

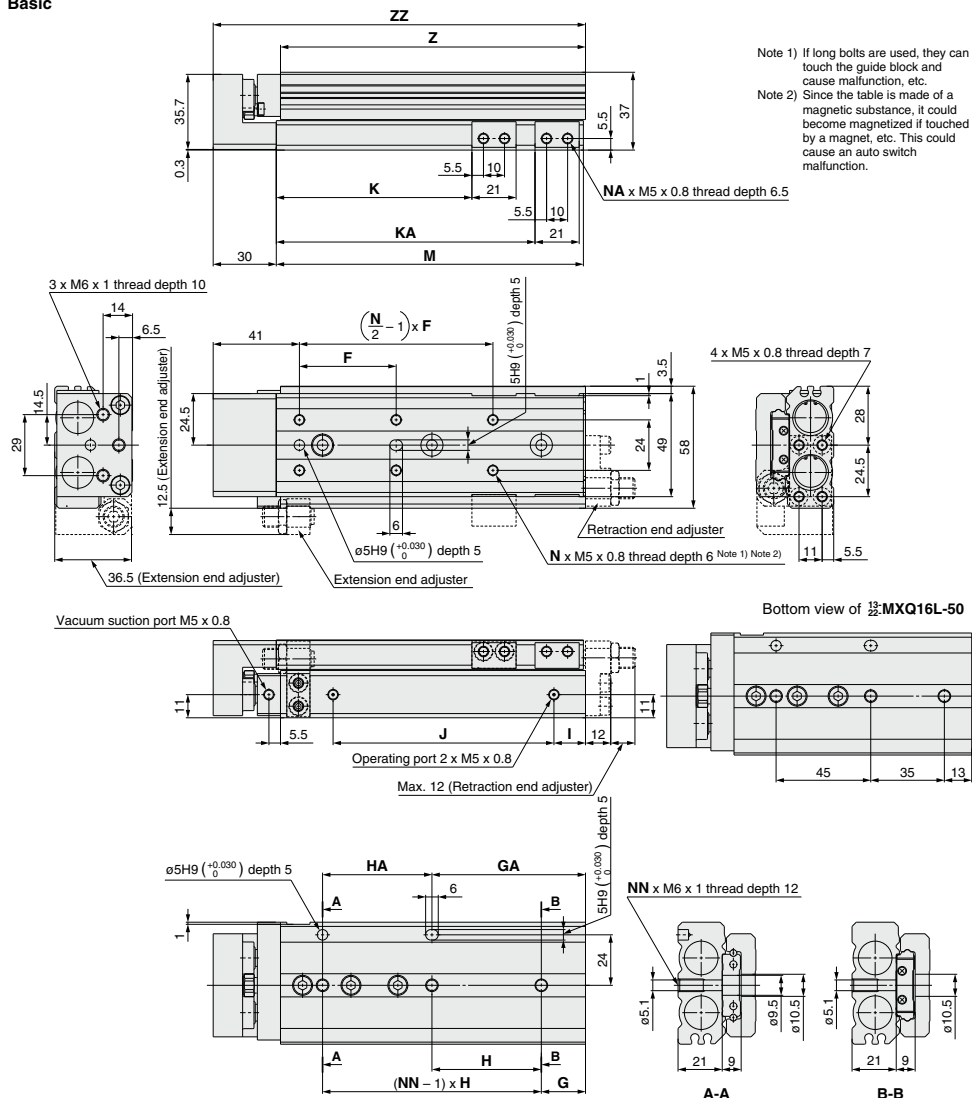
Fittings & Tubing

Flow Control Equipment

Pressure Switches/ Pressure Sensors

Dimensions: 13-22-MXQ16L / Symmetric Type

Basic

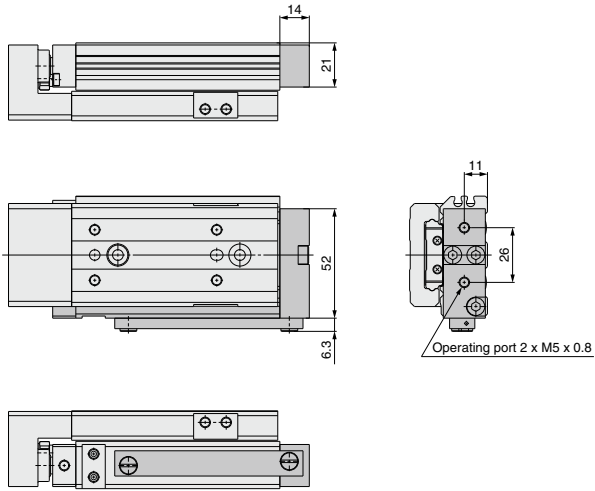


| Model | F | N | G | H | NN | GA | HA | I | J | K | KA | NA | M | Z | ZZ |
|------------------|----|----|-----------------------|-----------------------|----|-----|----|----|-----|-----|-----|----|-----|-----|-----|
| 13-22-MXQ16L- 10 | 38 | 4 | 18 | 39 | 2 | 18 | 39 | 12 | 40 | 28 | — | 4 | 78 | 77 | 109 |
| 13-22-MXQ16L- 20 | 38 | 4 | 18 | 39 | 2 | 18 | 39 | 12 | 40 | 38 | — | 4 | 78 | 77 | 109 |
| 13-22-MXQ16L- 30 | 48 | 4 | 19 | 48 | 2 | 19 | 48 | 12 | 50 | 48 | — | 4 | 88 | 87 | 119 |
| 13-22-MXQ16L- 40 | 58 | 4 | 19 | 58 | 2 | 19 | 58 | 12 | 60 | 58 | — | 4 | 98 | 97 | 129 |
| 13-22-MXQ16L- 50 | 40 | 6 | <small>(Note)</small> | <small>(Note)</small> | 3 | 48 | 45 | 20 | 68 | 68 | 91 | 8 | 114 | 113 | 145 |
| 13-22-MXQ16L- 75 | 46 | 6 | 21 | 52 | 3 | 73 | 52 | 15 | 105 | 93 | 123 | 8 | 146 | 145 | 177 |
| 13-22-MXQ16L-100 | 44 | 8 | 36 | 44 | 4 | 80 | 88 | 18 | 145 | 118 | 166 | 8 | 189 | 188 | 220 |
| 13-22-MXQ16L-125 | 44 | 10 | 17 | 44 | 5 | 105 | 88 | 23 | 165 | 143 | 191 | 8 | 214 | 213 | 245 |

(mm)
 (Note) Refer to the bottom view of 13-22-MXQ16L-50.

Dimensions: ¹³⁻/₂₂₋MXQ16L / Symmetric Type

Axial piping (ø16): ¹³⁻/₂₂₋MXQ16L-□□P



* Other dimensions are the same as basic type.

Directional Control Valves

Air Cylinders

Rotary Actuators

Air Grippers

Air Preparation Equipment

Modular F. R.

Pressure Control Equipment

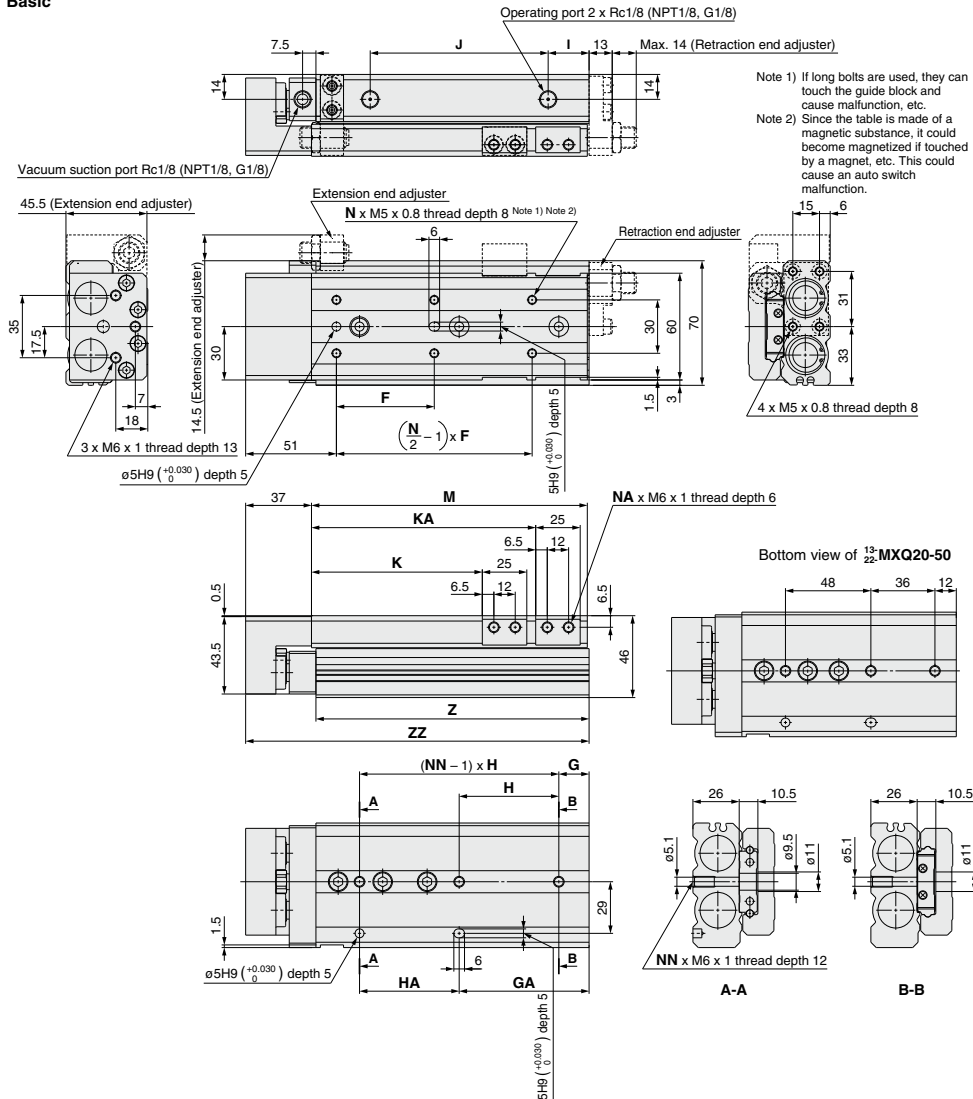
Fittings & Tubing

Flow Control Equipment

Pressure Switches/ Pressure Sensors

Dimensions: 13-22-MXQ20

Basic



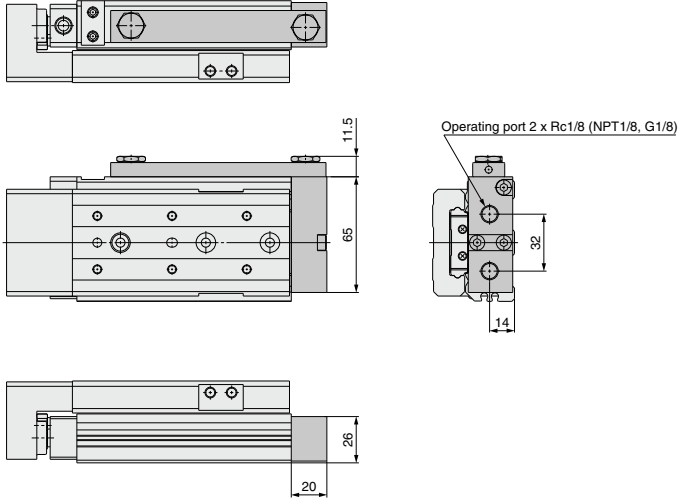
Note 1) If long bolts are used, they can touch the guide block and cause malfunction, etc.
 Note 2) Since the table is made of a magnetic substance, it could become magnetized if touched by a magnet, etc. This could cause an auto switch malfunction.

| Model | F | N | G | H | NN | GA | HA | I | J | K | KA | NA | M | Z | ZZ |
|------------------|----|---|---------------|---------------|----|-----|-----|----|-----|-----|-----|----|-----|-------|-----|
| 13-/22-MXQ20- 10 | 45 | 4 | 22 | 46 | 2 | 18 | 50 | 16 | 46 | 31 | — | 4 | 94 | 92.5 | 132 |
| 13-/22-MXQ20- 20 | 40 | 4 | 22 | 46 | 2 | 18 | 50 | 16 | 46 | 41 | — | 4 | 94 | 92.5 | 132 |
| 13-/22-MXQ20- 30 | 48 | 4 | 22 | 46 | 2 | 18 | 50 | 16 | 46 | 51 | — | 4 | 94 | 92.5 | 132 |
| 13-/22-MXQ20- 40 | 58 | 4 | 22 | 56 | 2 | 22 | 56 | 16 | 56 | 61 | — | 4 | 104 | 102.5 | 142 |
| 13-/22-MXQ20- 50 | 42 | 6 | $\frac{N}{2}$ | $\frac{H}{2}$ | 3 | 48 | 48 | 18 | 72 | 71 | — | 4 | 122 | 120.5 | 160 |
| 13-/22-MXQ20- 75 | 55 | 6 | 17 | 56 | 3 | 73 | 56 | 23 | 100 | 96 | 126 | 8 | 155 | 153.5 | 193 |
| 13-/22-MXQ20-100 | 50 | 8 | 18 | 56 | 4 | 74 | 112 | 25 | 155 | 121 | 183 | 8 | 212 | 210.5 | 250 |
| 13-/22-MXQ20-125 | 55 | 8 | 37 | 59 | 4 | 96 | 118 | 18 | 190 | 146 | 211 | 8 | 240 | 238.5 | 278 |
| 13-/22-MXQ20-150 | 62 | 8 | 56 | 62 | 4 | 118 | 124 | 21 | 215 | 171 | 239 | 8 | 268 | 266.5 | 306 |

Note) Refer to the bottom view of 13-22-MXQ20-50.

Dimensions: ¹³⁻~~22-~~**MXQ20**

Axial piping (ø20): ¹³⁻~~22-~~**MXQ20-□□P**



* Other dimensions are the same as basic type.

Directional Control Valves

Air Cylinders

Rotary Actuators

Air Grippers

Air Preparation Equipment

Modular F. R.

Pressure Control Equipment

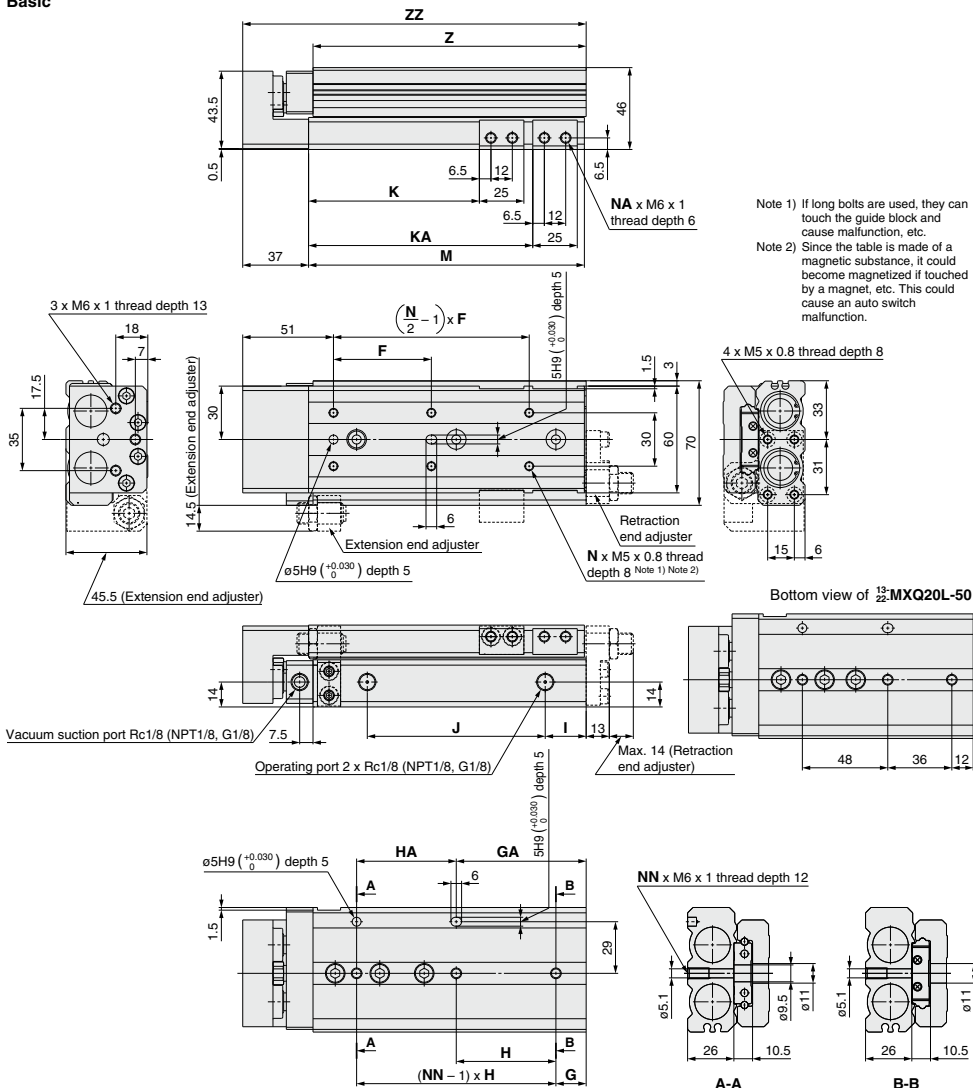
Fittings & Tubing

Flow Control Equipment

Pressure Switches/ Pressure Sensors

Dimensions: 13-22-MXQ20L / Symmetric Type

Basic



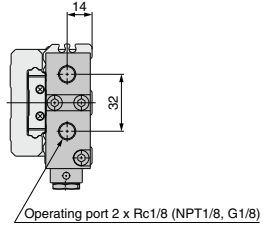
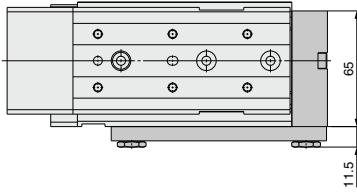
| Model | F | N | G | H | NN | GA | HA | I | J | K | KA | NA | M | Z | ZZ |
|------------------|----|---|--------|--------|----|-----|-----|----|-----|-----|-----|----|-----|-------|-----|
| 13-22-MXQ20L- 10 | 45 | 4 | 22 | 46 | 2 | 18 | 50 | 16 | 46 | 31 | — | 4 | 94 | 92.5 | 132 |
| 13-22-MXQ20L- 20 | 40 | 4 | 22 | 46 | 2 | 18 | 50 | 16 | 46 | 41 | — | 4 | 94 | 92.5 | 132 |
| 13-22-MXQ20L- 30 | 48 | 4 | 22 | 46 | 2 | 18 | 50 | 16 | 46 | 51 | — | 4 | 94 | 92.5 | 132 |
| 13-22-MXQ20L- 40 | 58 | 4 | 22 | 56 | 2 | 22 | 56 | 16 | 56 | 61 | — | 4 | 104 | 102.5 | 142 |
| 13-22-MXQ20L- 50 | 42 | 6 | (Note) | (Note) | 3 | 48 | 48 | 18 | 72 | 71 | — | 4 | 122 | 120.5 | 160 |
| 13-22-MXQ20L- 75 | 55 | 6 | 17 | 56 | 3 | 73 | 56 | 23 | 100 | 96 | 126 | 8 | 155 | 153.5 | 193 |
| 13-22-MXQ20L-100 | 50 | 8 | 18 | 56 | 4 | 74 | 112 | 25 | 155 | 121 | 183 | 8 | 212 | 210.5 | 250 |
| 13-22-MXQ20L-125 | 55 | 8 | 37 | 59 | 4 | 96 | 118 | 18 | 190 | 146 | 211 | 8 | 240 | 238.5 | 278 |
| 13-22-MXQ20L-150 | 62 | 8 | 56 | 62 | 4 | 118 | 124 | 21 | 215 | 171 | 239 | 8 | 268 | 266.5 | 306 |

(Note) Refer to the bottom view of 13-22-MXQ20L-50.



Dimensions: ¹³⁻/₂₂₋MXQ20L / Symmetric Type

Axial piping (ø20): ¹³⁻/₂₂₋MXQ20L-□□P



* Other dimensions are the same as basic type.

Directional Control Valves

Air Cylinders

Rotary Actuators

Air Grippers

Air Preparation Equipment

Modular F. R.

Pressure Control Equipment

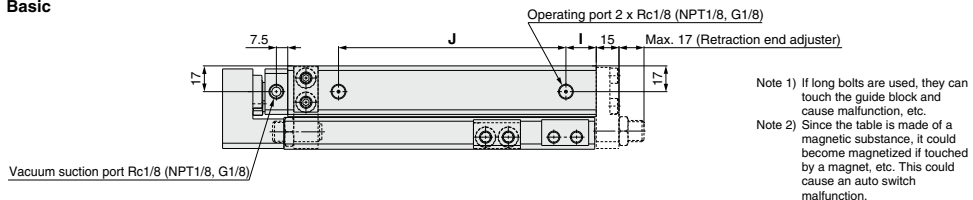
Fittings & Tubing

Flow Control Equipment

Pressure Switches/ Pressure Sensors

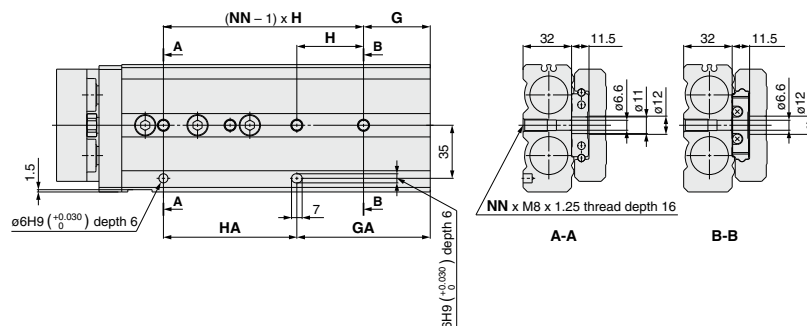
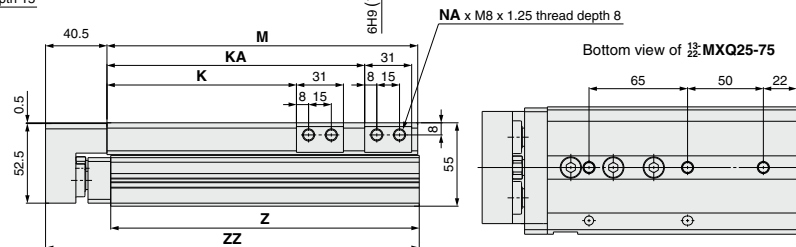
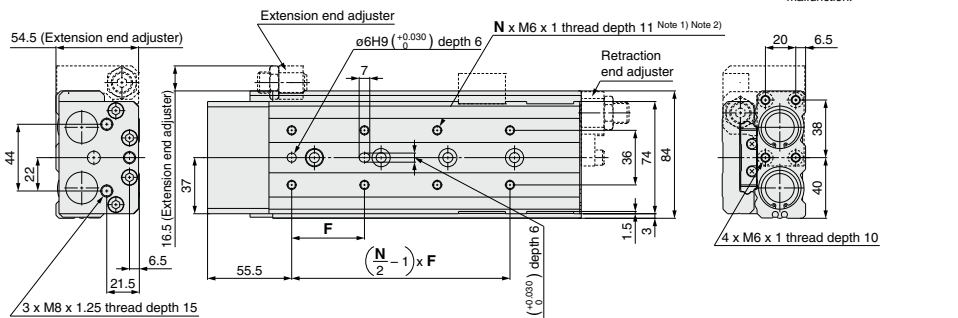
Dimensions: 13-22-MXQ25

Basic



Note 1) If long bolts are used, they can touch the guide block and cause malfunction, etc.
Note 2) Since the table is made of a magnetic substance, it could become magnetized if touched by a magnet, etc. This could cause an auto switch malfunction.

Vacuum suction port Rc1/8 (NPT1/8, G1/8)



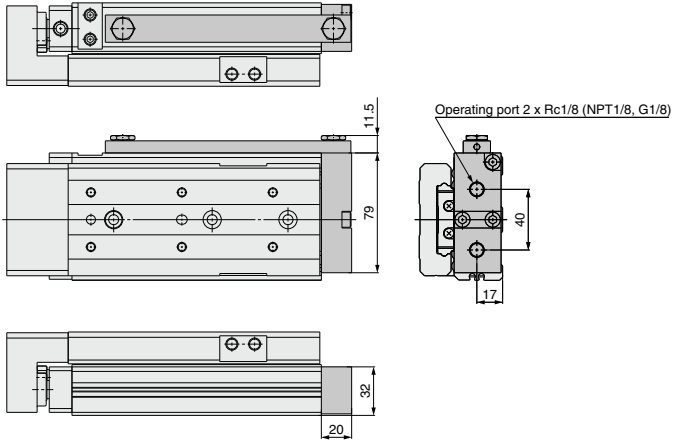
| Model | F | N | G | H | NN | GA | HA | I | J | K | KA | NA | M | Z | ZZ |
|------------------|----|---|-----------------------|-----------------------|----|-----|-----|----|-----|-----|-----|----|-----|-------|-------|
| 13-/22-MXQ25- 10 | 55 | 4 | 23 | 55 | 2 | 23 | 55 | 16 | 56 | 35 | — | 4 | 107 | 105.5 | 148.5 |
| 13-/22-MXQ25- 20 | 46 | 4 | 23 | 55 | 2 | 23 | 55 | 16 | 56 | 45 | — | 4 | 107 | 105.5 | 148.5 |
| 13-/22-MXQ25- 30 | 55 | 4 | 23 | 55 | 2 | 23 | 55 | 16 | 56 | 55 | — | 4 | 107 | 105.5 | 148.5 |
| 13-/22-MXQ25- 40 | 65 | 4 | 23 | 65 | 2 | 23 | 65 | 16 | 66 | 65 | — | 4 | 117 | 115.5 | 158.5 |
| 13-/22-MXQ25- 50 | 75 | 4 | 32 | 80 | 2 | 32 | 80 | 16 | 90 | 75 | — | 4 | 141 | 139.5 | 182.5 |
| 13-/22-MXQ25- 75 | 60 | 6 | <small>(Note)</small> | <small>(Note)</small> | 3 | 72 | 65 | 31 | 100 | 100 | — | 4 | 166 | 164.5 | 207.5 |
| 13-/22-MXQ25-100 | 48 | 8 | 44 | 44 | 4 | 88 | 88 | 20 | 150 | 125 | 170 | 8 | 205 | 203.5 | 246.5 |
| 13-/22-MXQ25-125 | 60 | 8 | 31 | 66 | 4 | 97 | 132 | 18 | 205 | 150 | 223 | 8 | 258 | 256.5 | 299.5 |
| 13-/22-MXQ25-150 | 65 | 8 | 56 | 66 | 4 | 122 | 132 | 18 | 230 | 175 | 248 | 8 | 283 | 281.5 | 324.5 |

Note) Refer to the bottom view of 13-22-MXQ25-75.



Dimensions: ¹³⁻₂₂₋MXQ25

Axial piping (ø25): ¹³⁻₂₂₋MXQ25-□□P



* Other dimensions are the same as basic type.

Directional Control Valves

Air Cylinders

Rotary Actuators

Air Grippers

Air Preparation Equipment

Modular F. R.

Pressure Control Equipment

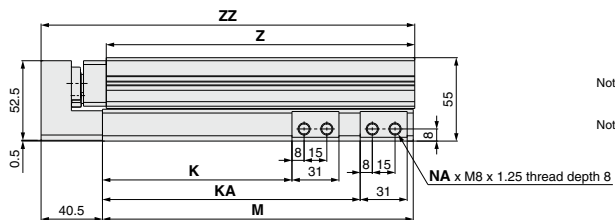
Fittings & Tubing

Flow Control Equipment

Pressure Switches/ Pressure Sensors

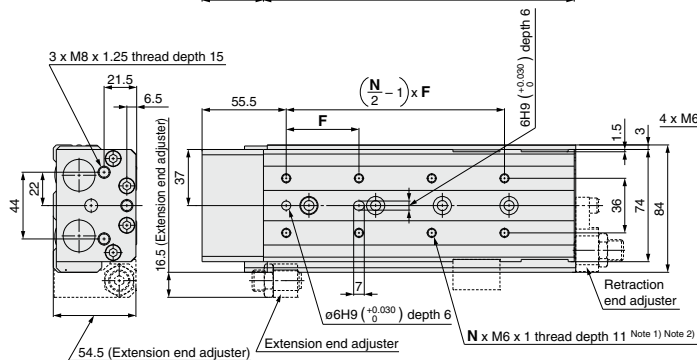
Dimensions: **13-22-MXQ25L / Symmetric Type**

Basic

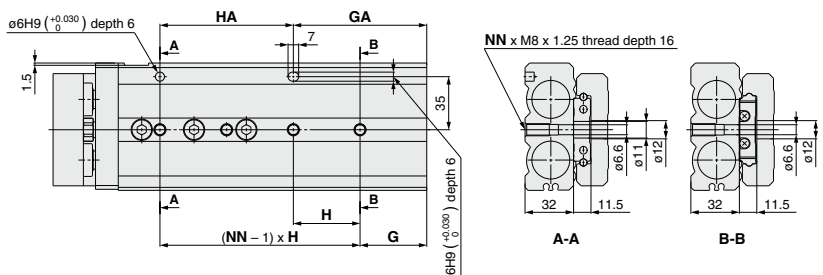
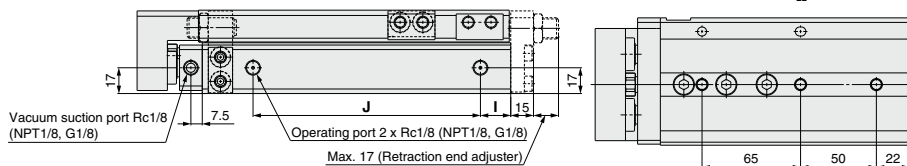


Note 1) If long bolts are used, they can touch the guide block and cause malfunction, etc.

Note 2) Since the table is made of a magnetic substance, it could become magnetized if touched by a magnet, etc. This could cause an auto switch malfunction.



Bottom view of **13-22-MXQ25L-75**

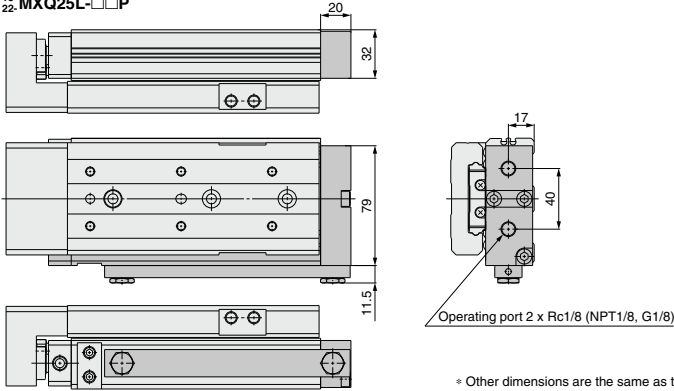


| Model | F | N | G | H | NN | GA | HA | I | J | K | KA | NA | M | Z | ZZ |
|------------------|----|---|--------------------|--------------------|----|-----|-----|----|-----|-----|-----|----|-----|-------|-------|
| 13-22-MXQ25L-10 | 55 | 4 | 23 | 55 | 2 | 23 | 55 | 16 | 56 | 35 | — | 4 | 107 | 105.5 | 148.5 |
| 13-22-MXQ25L-20 | 46 | 4 | 23 | 55 | 2 | 23 | 55 | 16 | 56 | 45 | — | 4 | 107 | 105.5 | 148.5 |
| 13-22-MXQ25L-30 | 55 | 4 | 23 | 55 | 2 | 23 | 55 | 16 | 56 | 55 | — | 4 | 107 | 105.5 | 148.5 |
| 13-22-MXQ25L-40 | 65 | 4 | 23 | 65 | 2 | 23 | 65 | 16 | 66 | 65 | — | 4 | 117 | 115.5 | 158.5 |
| 13-22-MXQ25L-50 | 75 | 4 | 32 | 80 | 2 | 32 | 80 | 16 | 90 | 75 | — | 4 | 141 | 139.5 | 182.5 |
| 13-22-MXQ25L-75 | 60 | 6 | _{-(Note)} | _{-(Note)} | 3 | 72 | 65 | 31 | 100 | 100 | — | 4 | 166 | 164.5 | 207.5 |
| 13-22-MXQ25L-100 | 48 | 8 | 44 | 44 | 4 | 88 | 88 | 20 | 150 | 125 | 170 | 8 | 205 | 203.5 | 246.5 |
| 13-22-MXQ25L-125 | 60 | 8 | 31 | 66 | 4 | 97 | 132 | 18 | 205 | 150 | 223 | 8 | 258 | 256.5 | 299.5 |
| 13-22-MXQ25L-150 | 65 | 8 | 56 | 66 | 4 | 122 | 132 | 18 | 230 | 175 | 248 | 8 | 283 | 281.5 | 324.5 |

Note) Refer to the bottom view of 13-22-MXQ25L-75.

Dimensions: 13-22-MXQ25L / Symmetric Type

Axial piping (ø25): 13-22-MXQ25L-□□P



Made to Order

1. Anti-corrosive guide unit -X42

13-22-MXQ **Standard model no. -X42**

Martensitic stainless steel is used for table and guide block. Use this treatment if more effective anti-corrosiveness is necessary. Table and guide block are given anti-corrosive treatment ^{Note 2}.

Note 1) Dimensions are the same as standard type.

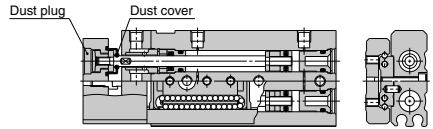
Note 2) Special anti-corrosive treatment makes the table and guide block black.

2. Dust cover and dust plug made by fluororubber -X52

13-MXQ **Standard model no. -X52**

Fluororubber is used for the dust cover and the dust plug instead of silicone rubber for standard one.

Note 1) Dimensions are the same as standard type.



⚠ Specific Product Precautions

Be sure to read this before handling.

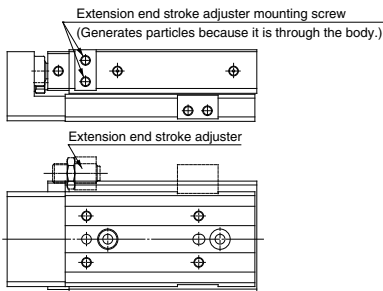
Handling

⚠ Caution

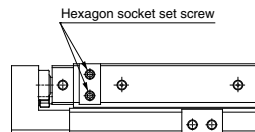
In case the extension end stroke adjuster is removed, plug the mounting hole.

Particle generation may occur because the bottom hole of the mounting screw penetrates the body. Consult with SMC for more information.

| | |
|---------------------------|----------------|
| Applicable bore size (mm) | 12, 16, 20, 25 |
|---------------------------|----------------|



In case of types without extension end adjuster, the hole is plugged with a hexagon socket set screw at the time of shipment.



Directional Control Valves
Air Cylinders
Rotary Actuators
Air Grippers
Air Preparation Equipment
Modular F. R.
Pressure Control Equipment
Fittings & Tubing
Flow Control Equipment
Pressure Switches/ Pressure Sensors