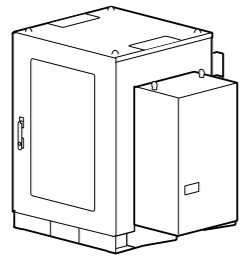




# EcoStruxure Micro Data Center R-Series MDC15UR500ACI-IN

## Unpacking

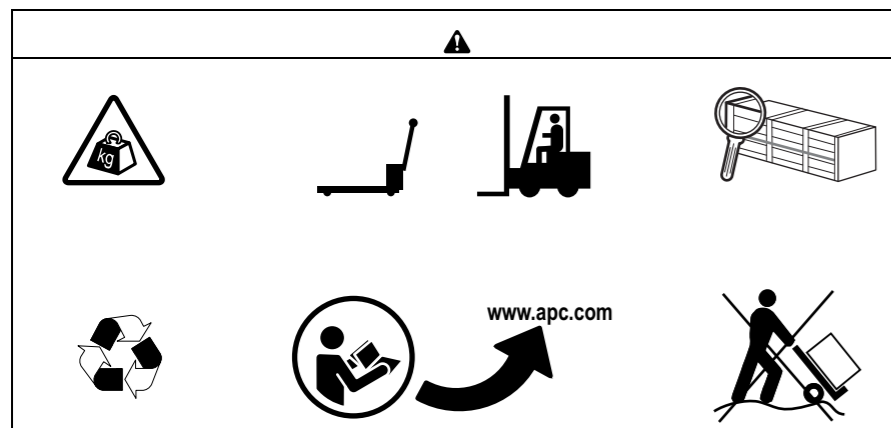


Customer support and warranty information is available at  
[www.se.com](http://www.se.com)

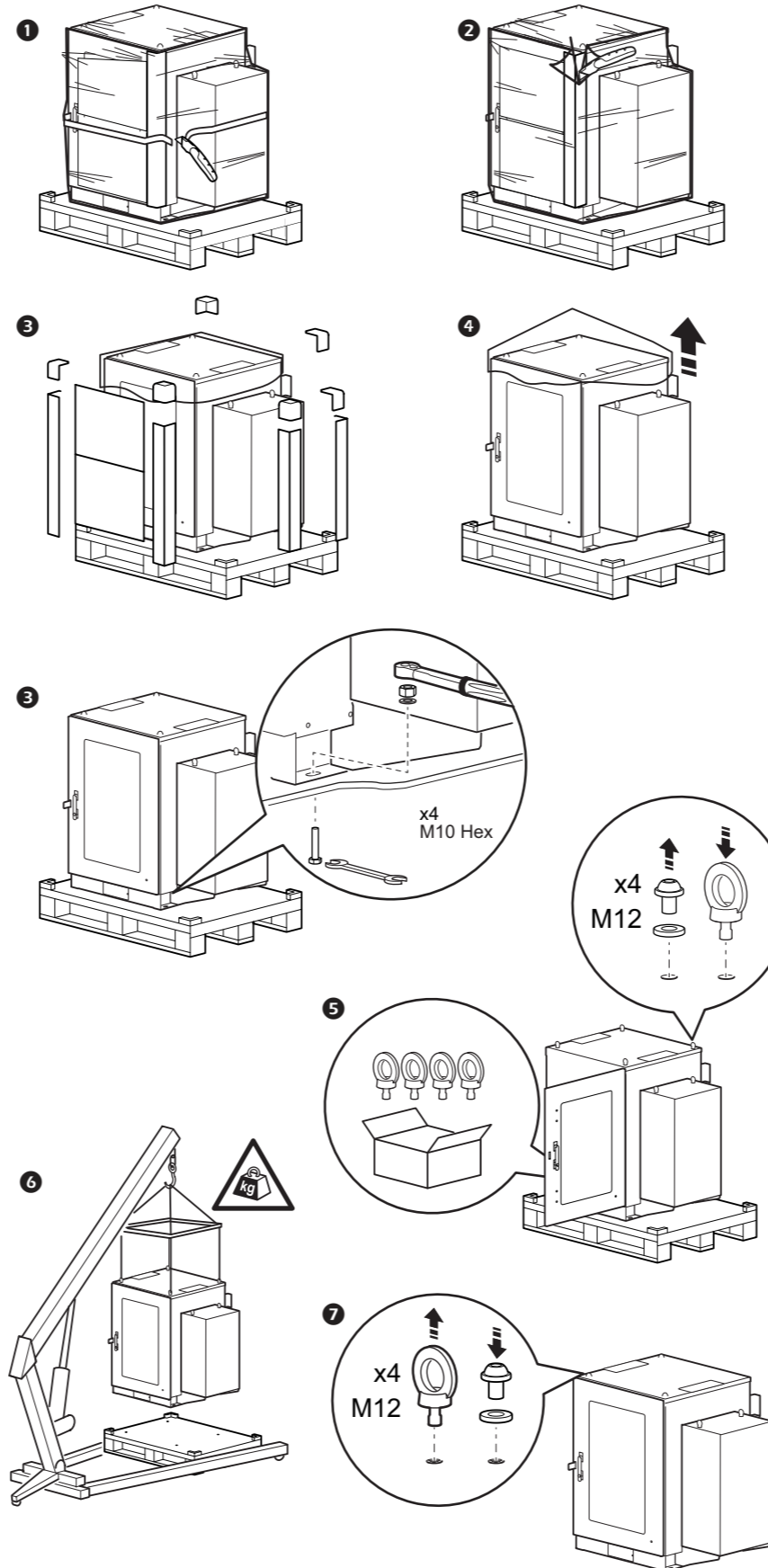
© 2023–2023 Schneider Electric. APC, the APC logo, and EcoStruxure are trademarks of Schneider Electric SE or its subsidiaries. All other brands may be trademarks of their respective owners.

TME18108B

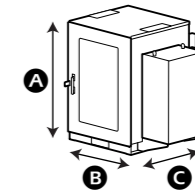
9/2023



## Unpacking

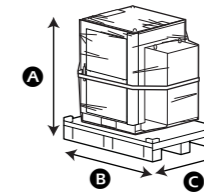


## Specifications Without Packaging



Model	Height <b>A</b>	Width <b>B</b>	Depth <b>C</b>	Weight
MDC15UR500ACI-IN	85 cm (33 in)	85 cm (33 in)	60 cm (24 in)	106 kg (234 lb)

## With Packaging



Model	Height <b>A</b>	Width <b>B</b>	Depth <b>C</b>	Weight
MDC15UR500ACI-IN	99 cm (39 in)	96 cm (38 in)	72 cm (28 in)	133 kg (293 lb)

## Safety

**Important.** Save these instructions. This guide contains information for receiving, unpacking, and moving the equipment. Download the Installation and Customization Manual from the website [www.se.com](http://www.se.com).

<b>WARNING</b>
<b>HEAVY EQUIPMENT</b>
<ul style="list-style-type: none"> <li>• Unpacking, installation, &amp; customization to be performed by trained personnel only.</li> <li>• Use at least two people to unpack and move the cabinet.</li> </ul>
<b>Failure to follow these instructions can result in death and injury.</b>

### Receiving

**Inspect the exterior packaging.** Before unpacking the shipment, verify that the labeled container matches the bill of lading.

**Inspect the equipment.** Once you have unpacked the equipment, carefully inspect its exterior.

**NOTE:** In case of shipping damage such as scratches or dents contact the shipping company and then Customer Support at [www.se.com](http://www.se.com).

**Unpacking.** The shipping materials are recyclable. Save them for later use, or dispose of them appropriately.

<b>NOTICE</b>
Leaving the equipment uncovered and exposed to the elements will cause damage and void the factory warranty.