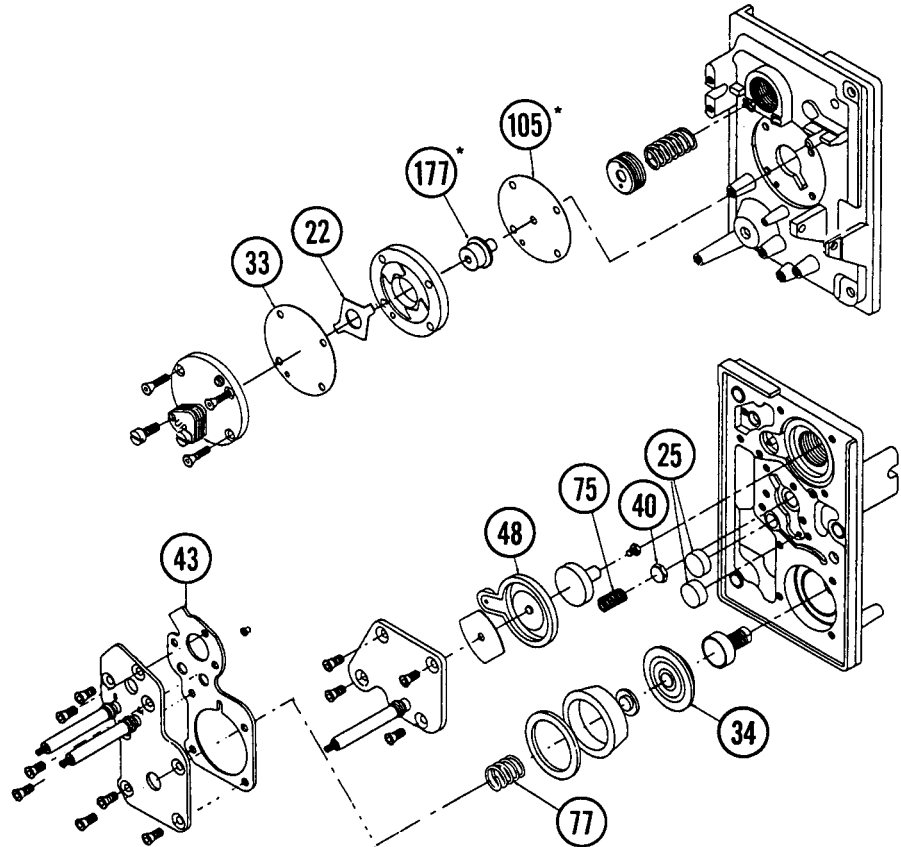


TOOL-115 (Torx T-8 screwdriver or offset wrench) is required to install this kit for thermostats manufactured after 1-1-81.



Item No.	Quantity Used								Description	Quantity in Kit
	100X	110X	12X1	13XX	16XX	1X7X	17XX	18XX		
22	1	1	1	1	1	1	1	1	Pilot Diaphragm Spring	1
25	2	2	2	2	2	2	2	2	Main Filter, Branch Filter	2
33 ^b	1	1	1	1	1	1	1	1	Pilot Diaphragm Assembly	1
34	1	1	1	1	1	1	1	1	Feedback Diaphragm	1
40	1	1	1	1	1	1	1	1	Main Valve Plug	1
43	1	1	1	1	1	1	1	1	Back Gasket	1
48	N/A	N/A	1	1	1	1	1	N/A	Switch Over Diaphragm	1
75	1	1	1	1	1	1	1	1	Main Valve Spring	1
77	1	1	1	1	1	1	1	1	Feedback Spring	1
105 ^{ab}	1	1	1	1	1	1	1	1	Branch Diaphragm	1
177 ^{ab}	1	1	1	1	1	1	1	1	Vent Nozzle	1

^a Part numbers 33, 105, and 177 must be replaced as a set.

^b Part numbers 105 and 177 were factory assembled as one part before 10-1-88.

On October 1st, 2009, TAC became the Buildings business of its parent company Schneider Electric. This document reflects the visual identity of Schneider Electric, however there remains references to TAC as a corporate brand in the body copy. As each document is updated, the body copy will be changed to reflect appropriate corporate brand changes.