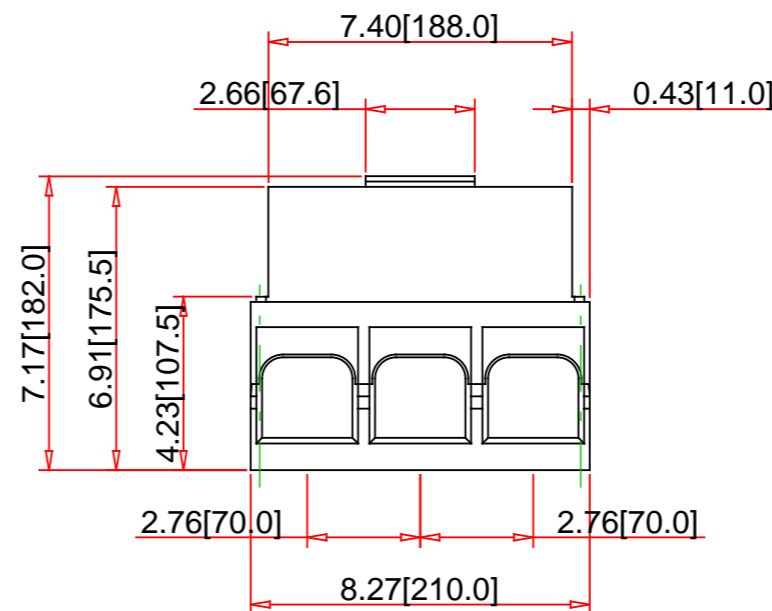
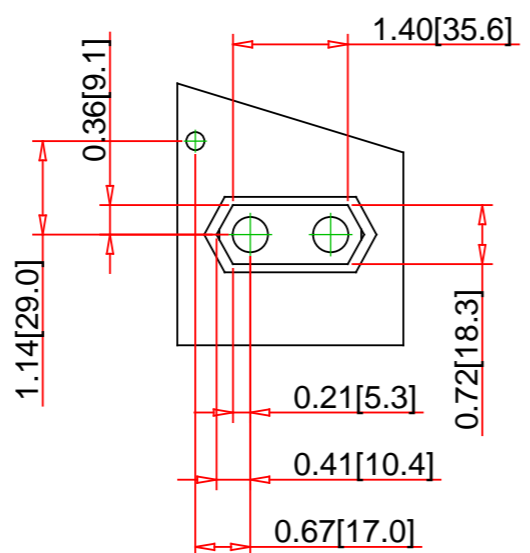


Partial View A (far side)



Note:

- Drawings Not To Scale
- Drawings Subject to Change Without Notice
- Dimensions are inches next to [Millimeters]

Part No.:

**PJF36120U41AMA**



by **Schneider Electric**

Schneider Electric United States  
 North American Division  
 Boston One Campus  
 800 Federal Street  
 Andover, MA 01810, USA  
 Phone: +1 8773425173  
 Email: CCC@us.schneider-electric.com

Technical Information:

**General Application:** Provides overload and short circuit protection  
**For Use With:** Industrial Enclosures and Switchboards  
**Approvals:** UL Listed - CSA Certified - IEC Rated  
**Mounting Type:** Unit Mount  
**Terminal Type:** Bus Connection - Line: terminal - Load: terminal  
**Wire Size:** (4) #3/0-500 AWG/kcmil(Al/Cu)  
**Weight:**  
**Depth:** 7.17 Inches  
**Height:** 12.86 Inches  
**Width:** 8.27 Inches

Specification:

**Description:** PowerPact P-frame Molded Case Circuit Breaker  
**Number of Poles:** 3-Pole  
**Ampere Rating:** 1200A  
**Voltage Rating:** 600VAC  
**Interrupting Rating:** 100kA at 240VAC - 65kA at 480VAC - 25kA at 600VAC  
**Circuit Breaker Rating:** 80% Rated