

NetShelter Aisle Containment

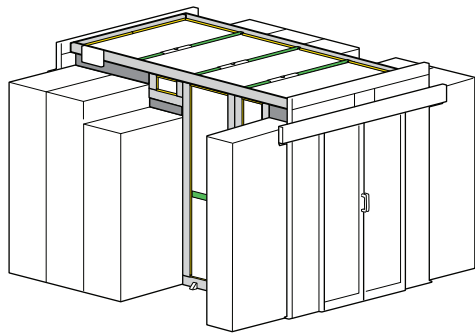
Next Generation

Installation Manual



TME19696

Release date: 3/2024



Legal Information

The information provided in this document contains general descriptions, technical characteristics and/or recommendations related to products/solutions.

This document is not intended as a substitute for a detailed study or operational and site-specific development or schematic plan. It is not to be used for determining suitability or reliability of the products/solutions for specific user applications. It is the duty of any such user to perform or have any professional expert of its choice (integrator, specifier or the like) perform the appropriate and comprehensive risk analysis, evaluation and testing of the products/solutions with respect to the relevant specific application or use thereof.

The Schneider Electric brand and any trademarks of Schneider Electric SE and its subsidiaries referred to in this document are the property of Schneider Electric SE or its subsidiaries. All other brands may be trademarks of their respective owner.

This document and its content are protected under applicable copyright laws and provided for informative use only. No part of this document may be reproduced or transmitted in any form or by any means (electronic, mechanical, photocopying, recording, or otherwise), for any purpose, without the prior written permission of Schneider Electric.

Schneider Electric does not grant any right or license for commercial use of the document or its content, except for a non-exclusive and personal license to consult it on an "as is" basis.

Schneider Electric reserves the right to make changes or updates with respect to or in the content of this document or the format thereof, at any time without notice.

To the extent permitted by applicable law, no responsibility or liability is assumed by Schneider Electric and its subsidiaries for any errors or omissions in the informational content of this document, as well as any non-intended use or misuse of the content thereof.

Table of Contents

| | |
|--|----|
| 1 General Information..... | 5 |
| 1.2 Important Safety Instructions — SAVE THESE INSTRUCTIONS | 6 |
| 1.2.2 Safety Recommendations for the Aisle Containment System | 7 |
| 1.3 Documentation Information | 9 |
| 1.4 Unpacking and Inspecting..... | 10 |
| 1.5 System Overview | 11 |
| 1.5.1 Possible Configurations..... | 12 |
| 1.5.2 NetShelter Next Generation Aisle Containment Part List..... | 14 |
| 1.5.3 Component Identification | 15 |
| 1.5.4 List of Recommended Tools..... | 20 |
| 1.5.5 List of Required Parts (Not provided) | 20 |
| 1.6 Installation Procedure Overviews | 21 |
| 1.6.1 Dual-row Horizontal Roof, Hanging/Rack Mounted..... | 22 |
| 1.6.2 Dual-row Vertical Duct, Hanging/Rack Mounted | 23 |
| 1.6.3 Single-row Horizontal Roof, Hanging/Rack Mounted | 24 |
| 1.6.4 Single-row Vertical Duct, Hanging/Rack Mounted..... | 25 |
| 2 Detailed Installation Procedures | 26 |
| 2.1 Before You Begin | 27 |
| 2.1.1 Safety..... | 27 |
| 2.1.2 Planning and Preparation | 28 |
| 2.1.2.1 Choosing a Configuration | 29 |
| 2.1.2.2 Considerations for the Placement of Row Equipment | 29 |
| 2.1.2.3 Planning the Lighting Configuration | 30 |
| 2.1.3 Installing Common Parts | 32 |
| 2.1.3.1 Spring Nuts..... | 32 |
| 2.1.3.2 Mounting Rail Connectors..... | 33 |
| 2.1.3.3 Straight Connectors (NSAC2608)..... | 34 |
| 2.2 Prepare the Row Equipment | 35 |
| 2.2.1 Considerations for Hanging Configurations..... | 37 |
| 2.2.2 Considerations for Single-Row Configurations | 39 |
| 2.3 Install a Horizontal Roof Frame | 40 |
| 2.3.1 Basic Structure | 40 |
| 2.3.2 Rack Mounted Horizontal Roof Installation | 43 |
| 2.3.3 Hanging Horizontal Roof Installation | 47 |
| 2.3.4 Single-row Installation: Right Angle Connectors | 52 |
| 2.4 Install Horizontal Roof Panels | 54 |
| 2.4.1 Plan Motion Sensor Placement for Aisles 6.6 m or Greater | 54 |
| 2.4.2 Prepare the Panel Connectors (NSAC2151/NSAC2152) | 55 |
| 2.4.3 Install Panels to the Frame | 57 |
| 2.5 Install a Vertical Duct..... | 62 |
| 2.5.1 Basic Structure..... | 62 |
| 2.5.1.1 Rack-mounted Vertical Duct Installation | 63 |
| 2.5.1.2 Hanging Vertical Duct Installation | 66 |
| 2.5.2 Install Panels..... | 70 |
| 2.5.3 Install Panel Connectors | 71 |
| 2.6 Install Blanking Panels | 75 |

| | |
|---|------------|
| 2.6.1 Construct the Frame | 75 |
| 2.6.2 Install Panels..... | 78 |
| 2.6.3 Special Instructions for Blanking Panels 3...6U (133...266 mm)..... | 79 |
| 2.7 Install Cabinet Seals..... | 82 |
| 2.8 Install a Dual Sliding Door | 84 |
| 2.8.1 NSAC2401 Inventory | 85 |
| 2.8.2 Assemble the Door Frame..... | 86 |
| 2.8.3: Install the Hanging Case | 91 |
| 2.8.4 Assemble and Mount the Doors | 92 |
| 2.8.5 Finish the Installation | 95 |
| 2.9 Install a Single Sliding Door | 97 |
| 2.9.1 NSAC2402 Inventory | 98 |
| 2.9.2 Assemble the Door Frame..... | 99 |
| 2.9.3 Install the Hanging Case | 106 |
| 2.9.4 Assemble and Mount the Doors | 110 |
| 2.9.5 Finish the Installation | 114 |
| 2.10 Install Lighting..... | 118 |
| 2.10.1 Install the LED Module | 121 |
| 2.10.2 Installing the Lighting Control Kit..... | 124 |
| 3 Adaptations for Other Containment Systems..... | 131 |
| 3.1 NetShelter Pod Containment System..... | 132 |
| 3.1.1 Raised Floor Stands and Post Alignment Tools | 132 |
| 3.1.2 Stop Rail Assembly..... | 132 |
| 3.1.3 Installing a Vertical Duct to the NetShelter Pod Containment System | 133 |
| 3.1.3.1 Construct the Frame..... | 133 |
| 3.1.3.2 Joining Pod Containment Sections | 139 |
| 3.1.3.3 Install the Panels..... | 140 |
| 3.1.3.4 Install the Panel Connectors | 141 |
| 3.2 NetShelter Aisle Containment System Curtain Doors | 145 |
| 3.2.1 Installation for Systems with Racks Under 52U | 145 |
| 3.2.2 Installation for Systems with 52U Racks | 150 |
| 4 Specifications | 154 |
| 3 Warranty..... | 157 |
| Five-year Factory Warranty | 158 |
| Terms of Warranty..... | 158 |
| Non-transferable Warranty..... | 158 |
| Exclusions..... | 158 |
| Warranty Claims | 159 |
| Eighteen-month Factory Warranty..... | 160 |
| Terms of Warranty..... | 160 |
| Non-transferable Warranty..... | 160 |
| Exclusions..... | 160 |
| Warranty Claims | 161 |

1 General Information

What's in This Part

| | |
|---|----|
| 1.2 Important Safety Instructions — SAVE THESE INSTRUCTIONS | 6 |
| 1.3 Documentation Information..... | 9 |
| 1.4 Unpacking and Inspecting | 10 |
| 1.6 Installation Procedure Overviews | 21 |

This manual illustrates the components and optional accessories offered by the NetShelter™ Next Generation Aisle Containment System (the Aisle Containment System) and instructs on how to install them to create an Aisle Containment System.

For instructions on installing or servicing racks, power equipment, and other equipment please refer to their separate manuals.

1.2 Important Safety Instructions — SAVE THESE INSTRUCTIONS

What's in This Chapter

1.2.2 Safety Recommendations for the Aisle Containment System.....7

Read these instructions carefully and look at the equipment to become familiar with it before trying to install, operate, service or maintain it. The following safety messages may appear throughout this manual or on the equipment to warn of potential hazards or to call attention to information that clarifies or simplifies a procedure.



The addition of this symbol to a “Danger” or “Warning” safety message indicates that an electrical hazard exists which will result in personal injury if the instructions are not followed.



This is the safety alert symbol. It is used to alert the user to potential personal injury hazards. Obey all safety messages with this symbol to avoid possible injury or death.

⚠ DANGER

DANGER indicates a hazardous situation which, if not avoided, **will result in** death or serious injury.

Failure to follow these instructions will result in death or serious injury.

⚠ WARNING

WARNING indicates a hazardous situation which, if not avoided, **could result in** death or serious injury.

Failure to follow these instructions can result in death, serious injury, or equipment damage.

⚠ CAUTION

CAUTION indicates a hazardous situation which, if not avoided, **could result in** minor or moderate injury.

Failure to follow these instructions can result in injury or equipment damage.

NOTICE

NOTICE is used to address practices not related to physical injury. The safety alert symbol shall not be used with this type of safety message.

Failure to follow these instructions can result in equipment damage.

1.2.1 Please Note

Electrical equipment should only be installed, operated, serviced, and maintained by qualified personnel. No responsibility is assumed by Schneider Electric for any consequences arising out of the use of this material.

A qualified person is one who has skills and knowledge related to the construction, installation, and operation of electrical equipment and has received safety training to recognize and avoid the hazards involved.

Always abide strictly by local laws and regulations in force in the place of installation.

1.2.2 Safety Recommendations for the Aisle Containment System

| |
|--|
| ⚠ WARNING |
| <p>TOOL USAGE HAZARD</p> <p>Follow safety standards for all hand tools and power tools used. Read and follow the tool manufacturer’s instructions. Follow the tool manufacturer’s recommendations and recognized safety requirements for use of Personal Protection Equipment (PPE).</p> <p>Failure to follow these instructions can result in death, serious injury, or equipment damage.</p> |

| |
|---|
| ⚠ CAUTION |
| <p>WORKING HEIGHT HAZARD</p> <ul style="list-style-type: none"> • The working height for the installation process can exceed 4 m (13.12 ft). The use of stepladders or scaffolding is required during installation. • Wear Personal Protective Equipment (PPE) such as harnesses while working at height. <p>Failure to follow these instructions can result in serious injury or equipment damage.</p> |

| |
|--|
| ⚠ CAUTION |
| <p>LIFTING HAZARD</p> <p>At least two people are required for installation. Some parts may be heavy and/or excessive in size. For items weighing more than 12kg (25lbs), use more than one person.</p> <p>Failure to follow these instructions can result in serious injury or equipment damage.</p> |

| |
|--|
| ⚠ CAUTION |
| <p>NO STEP</p> <p>Containment roof panels are not designed to support weight. Never lean or walk on the horizontal roof panels. Do not use horizontal roof panels to support power or data cables.</p> <p>Failure to follow these instructions can result in serious injury or equipment damage.</p> |

NOTICE**HAZARD OF EQUIPMENT DAMAGE**

- Do not shake the LED Lighting Strip, especially within 150 mm (5.9 in) of the wired end.
- Do not step on the LED Lighting Strip.
- Do not bend the LED Lighting Strip at an acute angle.
- Press the LED Lighting Strip into place with your palm, not with a single finger.
- Do not tightly twist the LED Lighting Strip. Some gentle twisting is acceptable during installation.
- Ensure that the LED Lighting Strip is fully supported after installation. Do not allow any part of the LED Lighting Strip to hang in the air. Do not suspend the LED Lighting Strip from one end.

Failure to follow these instructions can result in equipment damage.

1.3 Documentation Information

User documents for this product include the following:

- *NetShelter Aisle Containment Next Generation Safety Instructions* (TME19695)
- *NetShelter Aisle Containment Next Generation Installation Manual* (TME19696)
- *NetShelter Aisle Containment Next Generation Cutting and Measurement Guide* (TME19697)

Documentation for this product is available at the Schneider Electric Download Center. To find a document in the download center,

1. Go to the download center at www.se.com/ww/en/download
2. Click **Select location**, then select your country from the available options.
3. Enter the title, part number, or keywords for your document in the Search bar.
4. Download the desired document from the list.

NOTE: You can narrow the list of options by selecting the filters on the left side of the page.

Alternatively, you can find all documents and translations at www.go2se.com/ref=NSAC2001 > **Documentation** > **Product Documentation**.

1.4 Unpacking and Inspecting

After opening a box, check the components in the box against the items listed in 1.5.3 Component Identification, page 15. If any components are missing, contact APC at www.apc.com/support.

To avoid misplacing parts, do not open a box until those components are ready to be installed. Follow the order of procedures in this manual to ensure correct installation.

Pictures of assemblies are also shown on the packaging for reference.



The shipping materials are recyclable.

Please save them for later use or dispose of them according to your local regulations.

1.5 System Overview

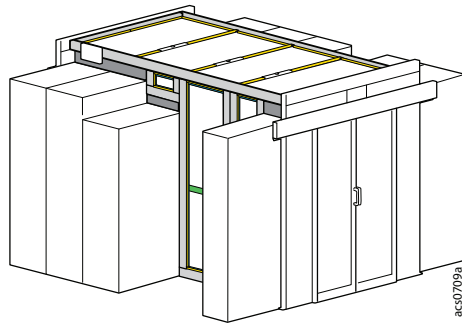
The Aisle Containment System provides a barrier between the hot exhaust and cold intake air streams. The separation of the hot and cold air streams in the environment increases the efficiency and effectiveness of the cooling system that supports the critical IT equipment. The separation of hot and cold air also allows the cooling system to provide an elevated supply-air temperature.

The Aisle Containment system can accommodate three standard aisle widths:

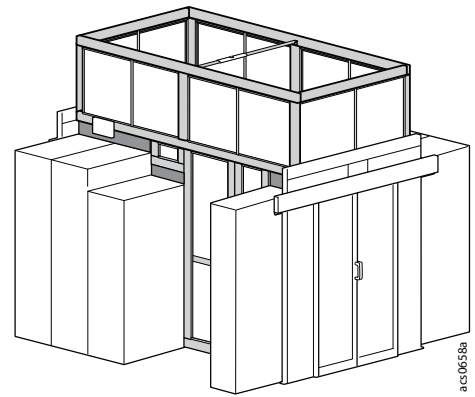
- 972 mm (3 ft)
- 1268 mm (4 ft)
- 1860 mm (6 ft)

The Aisle Containment System can be assembled from new equipment or installed around pre-installed equipment. It is compatible with row, room, or external cooling solutions and available for cool or hot aisle containment. The Aisle Containment System can be installed with one or two rows of equipment, and is compatible with selected features of the NetShelter Aisle Containment Solution and NetShelter Pod Containment Solution.

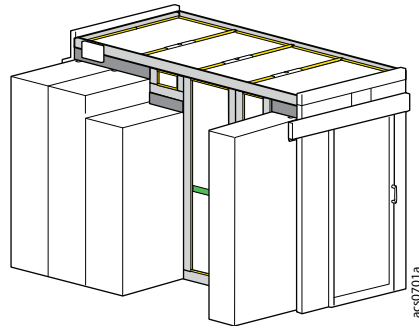
1.5.1 Possible Configurations



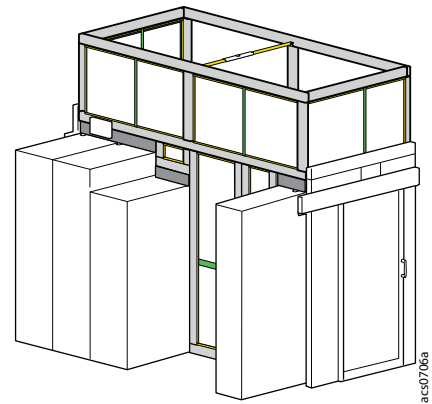
Dual-row Horizontal Roof, Rack-mounted



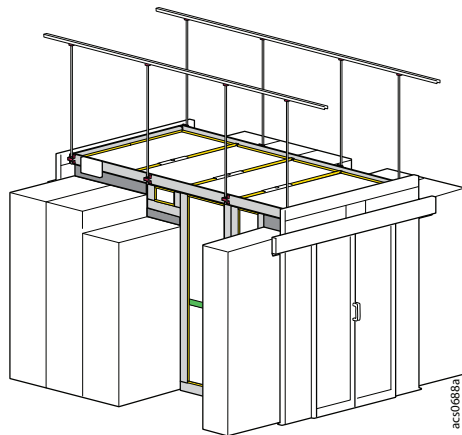
Dual-row Vertical Duct, Rack-mounted



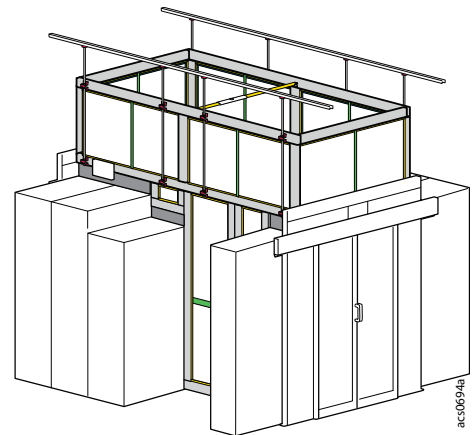
Single-row horizontal roof, Rack-mounted



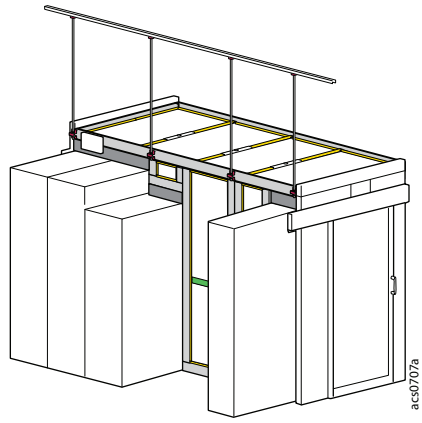
Single-row Vertical Duct, Rack-mounted



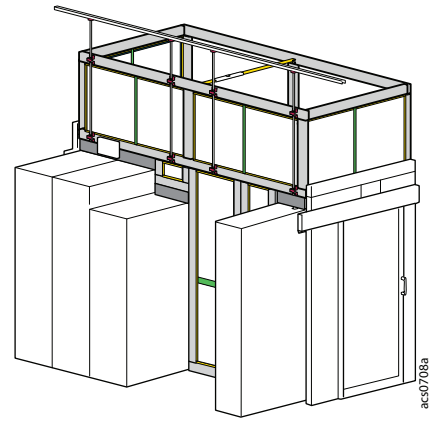
Dual-row Horizontal Roof, Hanging



Dual-row Vertical Duct, Hanging



Single-row Horizontal Roof, Hanging



Single-row Vertical Duct, Hanging

1.5.2 NetShelter Next Generation Aisle Containment Part List

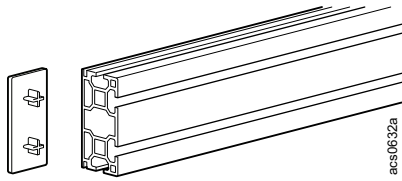
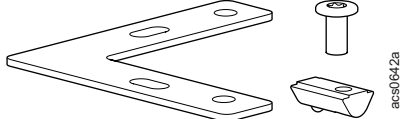
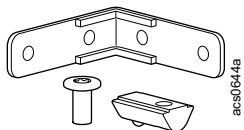
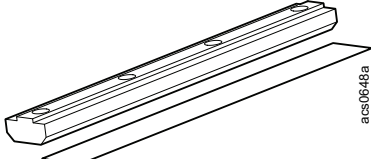
This manual includes inventory and installation information for the following parts:

| | | | |
|----------|---|--------------|--|
| NSAC2001 | Frame Extrusion and End Cover Black | NSAC2153 | Panel Connector Plastic 1,200 mm x24 Black |
| NSAC2002 | Panel Mounting Rail A&B Black | NSAC2401 | Dual Sliding Door |
| NSAC2003 | Cabinet Seal Coextrusion 1,000 mm x6 Black | NSAC2402 | Single Sliding Door |
| NSAC2004 | Lighting Mounting Rail 1,000 mm x6 Black | NSAC2601 | L Connector Black |
| NSAC2006 | Seal Coextrusion 1,000 mm Black | NSAC2603 | Interior Connector Black |
| NSAC2051 | Rod Mounting Brackets x2 Black | NSAC2604 | Cabinet Install Bracket Black |
| NSAC2052 | Horizontal Roof Mounting Rail 1,500 mm x4 Black | NSAC2606 | Right Angle Connector Black |
| NSAC2101 | Mutli Wall Panel 644 x 1,232 mm x5 | NSAC2607 | Mounting Rail Connector Black |
| NSAC2102 | Mutli Wall Panel 644 x 1,825 mm x5 | NSAC2608 | Straight Connector Black |
| NSAC2121 | LED Module | NSAC2610 | Roof Brackets for POD Containment Black |
| NSAC2122 | Lighting Control Box | FS-AC-1001-U | Air Sealing Kit |
| NSAC2151 | Panel Connector 3 ft x3 Black | | |
| NSAC2152 | Panel Connector 4 ft x3 Black | | |

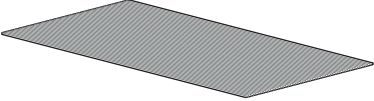
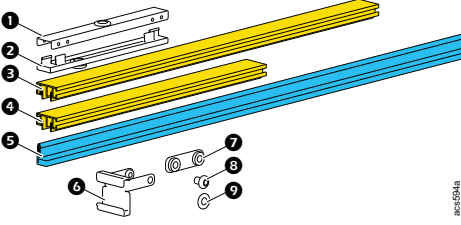
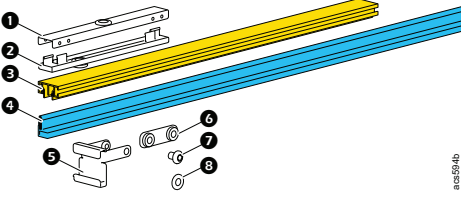
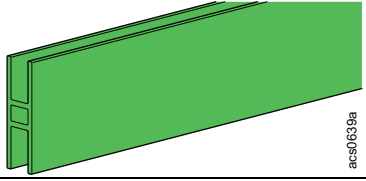
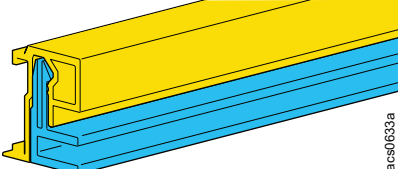
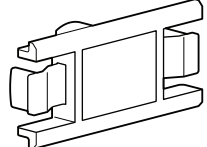
1.5.3 Component Identification

The number of each component required is determined by your solution design.

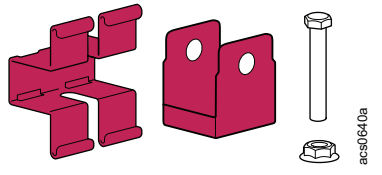
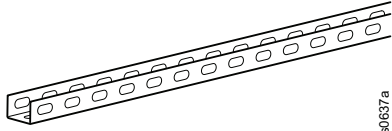
Frame assembly hardware

| Item | Part Number | Description | Qty | Cutting tool |
|--|-------------|--|---------------|--------------|
|  | NSAC2001 | Frame Extrusion, 2,536 mm (100 in) End Cover | 4 4 | Mitre saw |
|  | NSAC2601 | L connector Low head screw, M6, T25 Spring nut M6 | 8 32 32 | n/a |
|  | NSAC2603 | Interior Connector Low head screw, M6, T25 Spring nut M6 | 8 32 32 | n/a |
|  | NSAC2608 | Straight Connector Interior lining | 8 8 | n/a |

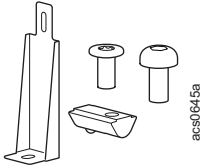
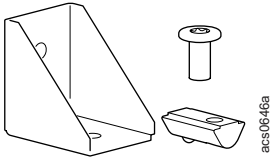
Panel assembly/installation hardware

| Item | Part Number | Description | Qty | Cutting tool |
|---|-------------|--|--|---------------|
|  acs0643a | NSAC2101 | Multi Wall Panel, 644 x 1,232 mm (25 x 49 in) | 5 | Utility knife |
| | NSAC2102 | Multi Wall Panel, 644 x 1,825 mm (25 x 72 in) | 5 | |
|  acs0644a | NSAC2151 | Panel Connector, 3 ft ❶ Top connector ❷ Bottom connector ❸ Aluminum rail, 590 mm (23 in) ❹ Aluminum rail, 310 mm (12 in) ❺ ABS rail, 949 mm (37 in) ❻ End bracket ❼ Connector bracket ❽ M4 washer ❾ M4 star screw | 3 3 3 3 6 6 12 12 36 | Mitre saw |
|  acs0644b | NSAC2152 | Panel Connector, 4 ft ❶ Top connector ❷ Bottom connector ❸ Aluminum rail, 590 mm (23 in) ❹ ABS rail, 1,346 mm (53 in) ❺ End bracket ❻ Connector bracket ❼ M4 washer ❽ M4 star screw | 3 3 6 6 6 12 12 36 | Mitre saw |
|  acs0638a | NSAC2153 | Plastic Panel Connector, 1,200 mm (47 in) | 12 | Mitre saw |
|  acs0633a | NSAC2002 | Panel Mounting Rail A, 630 mm (24.8 in) | 10 | Mitre saw |
| | | Panel Mounting Rail B, 630 mm (24.8 in) | 10 | Mitre saw |
|  acs0647a | NSAC2607 | Mounting Rail Connector | 40 | n/a |

Hanging hardware

| Item | Part Number | Description | Qty | Cutting tool |
|---|-------------|---|-------------------|--------------|
|  | NSAC2051 | Rod Mounting Brackets Frame Mounting Bracket Rod Mounting Bracket Bolt, M10 × 60 Flanged hex nut, M10 | 2 2 2 10 | n/a |
|  | NSAC2052 | Ceiling Mounting Rail, 1,500 mm (59.1 in) | 4 | Do not cut |

Rack/wall support hardware

| Item | Part Number | Description | Qty | Cutting tool |
|---|-------------|---|------------------|--------------|
|  | NSAC2604 | Cabinet Install Bracket Spring nut M6 Low head screw, M6, T26 Socket head screw, M10 | 4 4 4 4 | n/a |
|  | NSAC2606 | Right Angle Connector Low head screw, M6, T26 Spring nut M6 | 4 8 8 | n/a |

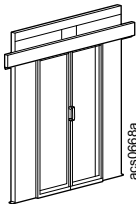
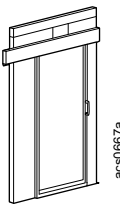

Seals

| Item | Part Number | Description | Qty | Cutting tool |
|----------|-------------|--|-----|--------------|
| acs0634a | NSAC2003 | Cabinet Seal Coextrusion, 1,000 mm (39.4 in) | 6 | Scissors |
| acs0636a | NSAC2006 | Seal Coextrusion, 1,000 mm (39.4 in) | 6 | Mitre saw |

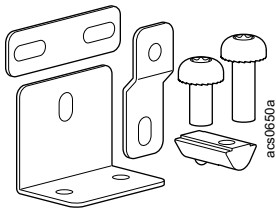
Lighting hardware/kits

| Item | Part Number | Description | Qty | Cutting tool |
|----------|-------------|---|--------|--------------|
| acs0635a | NSAC2004 | Lighting Mounting Rail, 1,000 mm (39.4 in) | 6 | Mitre saw |
| acs0638a | NSAC2121 | LED Module LED Lighting Strip, 3 m End cap | 2 2 | Scissors |
| acs0649a | NSAC2122 | Lighting Control Box kit See 2.10.2 Installing the Lighting Control Kit, page 124 for the inventory of the Lighting Control Box kit. | 1 | n/a |

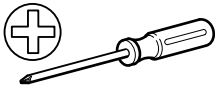
Doors

| Item | Part Number | Description | Qty | Cutting tool |
|---|--------------|--|-----|--------------|
|  | NSAC2401 | Dual sliding door See 2.8 Install a Dual Sliding Door, page 84 for the inventory. | 1 | n/a |
|  | NSAC2402 | Single sliding door See 2.9 Install a Single Sliding Door, page 97 for the inventory. | 1 | n/a |
|  | FS-AC-1001-U | NetShelter Pod Containment Air Sealing Kit | 1 | Scissors |

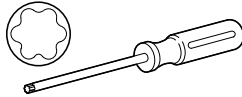
Adapter kit for NetShelter Pod Containment Solution

| | | | | |
|--|----------|--|--------------------------------|-----|
|  | NSAC2610 | Plate connector bracket Width beam connector bracket Staggered connector bracket Screw M6 x 12, Torx Screw M6 x 16, Torx Spring nut, M6 | 16 2 8 27 27 54 | n/a |
|--|----------|--|--------------------------------|-----|

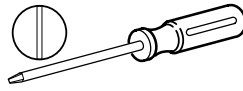
1.5.4 List of Recommended Tools



Screwdriver, Phillips head, #1 and #2



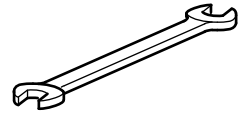
Screwdriver, TORX® T30, T25, T20



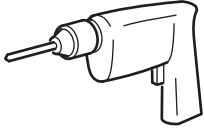
Screwdriver, flat head



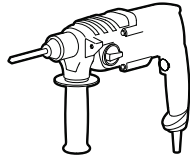
Hex wrench, 6 mm, 10 mm



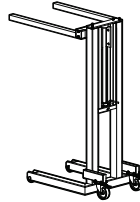
Wrench, 10 mm, 17 mm



Drill with Phillips, TORX, and flat head bits



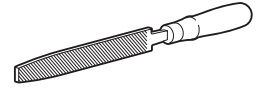
Drill and concrete bits



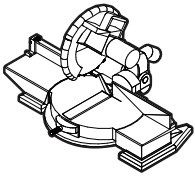
Lift



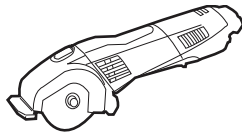
Ladder



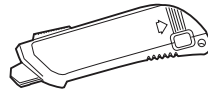
Metal files



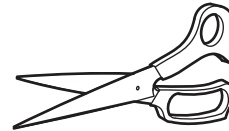
Miter saw



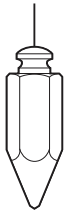
Rotary tool (for example, Dremel®)



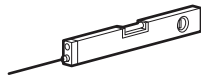
Self-retracting utility knife



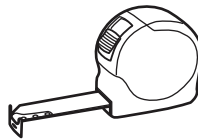
Scissors



Plumb bob



Level



Tape measure Level



Chalk line

1.5.5 List of Required Parts (Not provided)

- For hanging assemblies only: M10 threaded support rods and M10 flanged hex nuts
- Cat 5 cables for lighting installation. The length and number of cables depend on your configuration. See 2.10 Install Lighting, page 118 for detailed information on possible lighting configurations.

1.6 Installation Procedure Overviews

What's in This Chapter

| | |
|--|----|
| 1.6.1 Dual-row Horizontal Roof, Hanging/Rack Mounted | 22 |
| 1.6.2 Dual-row Vertical Duct, Hanging/Rack Mounted | 23 |
| 1.6.3 Single-row Horizontal Roof, Hanging/Rack Mounted | 24 |
| 1.6.4 Single-row Vertical Duct, Hanging/Rack Mounted | 25 |

The Aisle Containment system is composed of standard parts that can be used to build several structures, including horizontal roofs, siding, and vertical ducts.

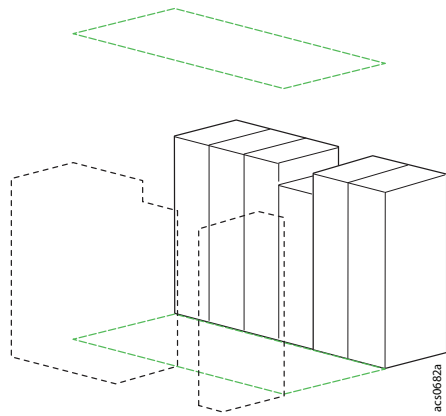
Most parts can be installed with one of three fastening methods. Review the section 2.1.3 [Installing Common Parts](#), page 32 to become familiar with the fastening method for each part.

The following configuration overviews show the general procedure for each structure. Each step in the overview is a link to the required procedure.

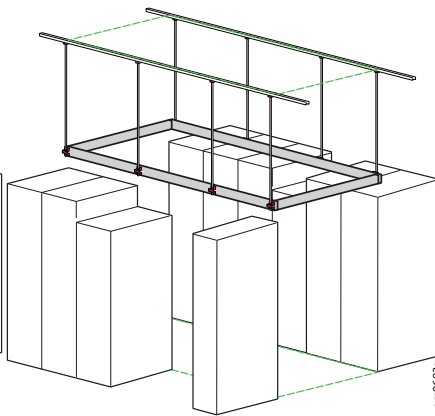
NOTE: Single-door solutions are only compatible with 3-ft and 4-ft aisles. For a 6-ft, single-row aisle, you can install a curtain door (see 3.2 [NetShelter Aisle Containment System Curtain Doors](#), page 145 for instructions).

1.6.1 Dual-row Horizontal Roof, Hanging/Rack Mounted

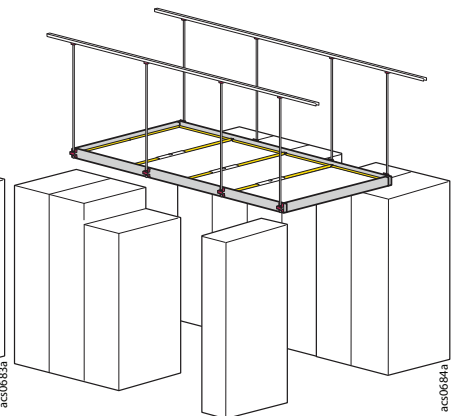
Follow this procedure for hanging horizontal roofs or rack-mounted horizontal roofs. The hanging horizontal roof is shown here.



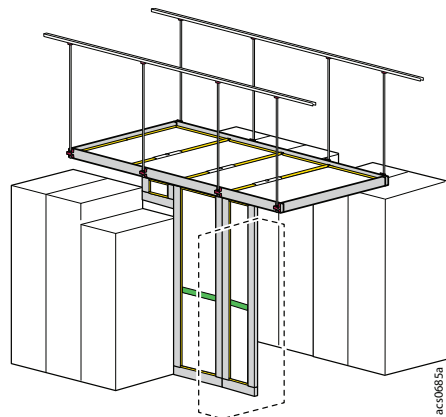
2.2 Prepare the Row Equipment, page 35



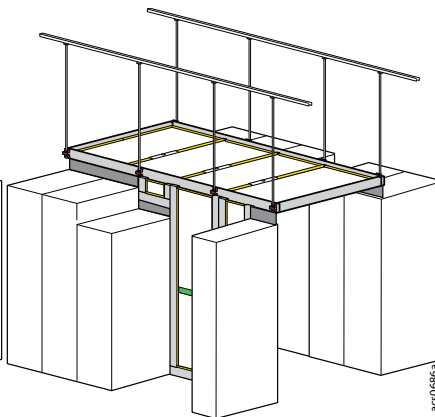
2.3 Install a Horizontal Roof Frame, page 40



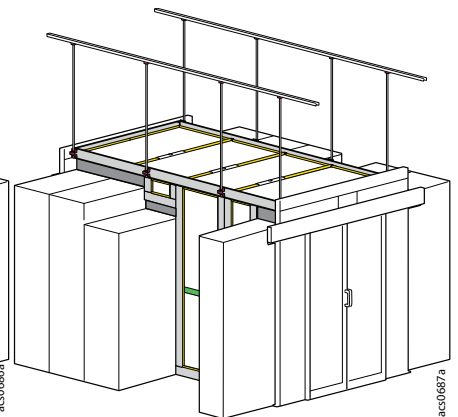
2.4 Install Horizontal Roof Panels, page 54



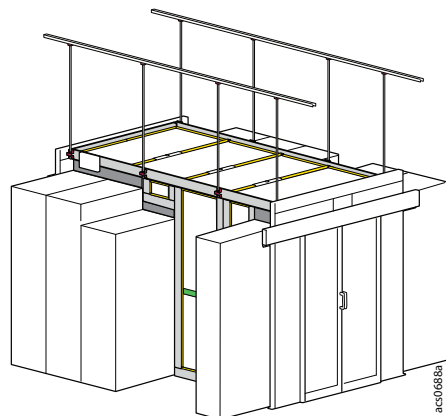
2.6 Install Blanking Panels, page 75



2.7 Install Cabinet Seals, page 82



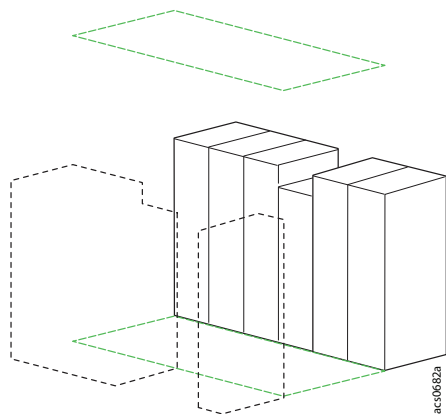
2.8 Install a Dual Sliding Door, page 84



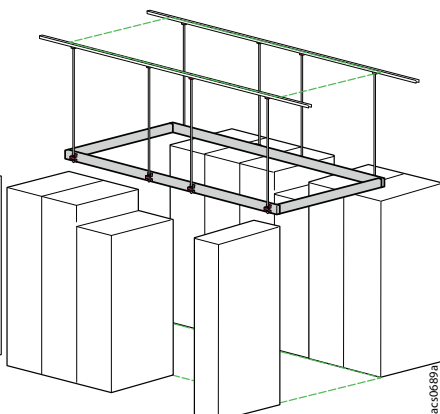
2.10 Install Lighting, page 118

1.6.2 Dual-row Vertical Duct, Hanging/Rack Mounted

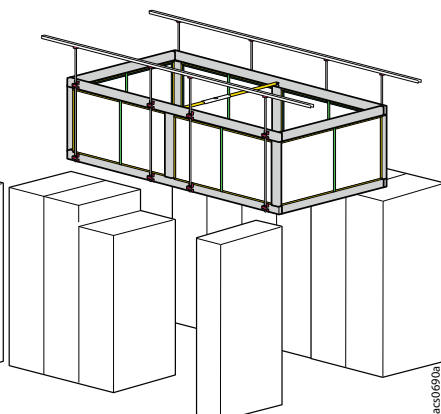
Follow this procedure for hanging vertical ducts or rack-mounted vertical ducts. The hanging vertical duct is shown here.



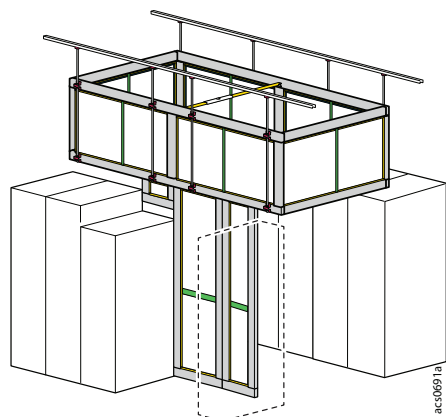
2.2 Prepare the Row Equipment, page 35



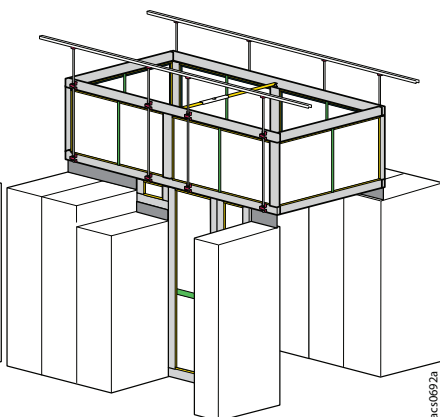
2.3 Install a Horizontal Roof Frame, page 40



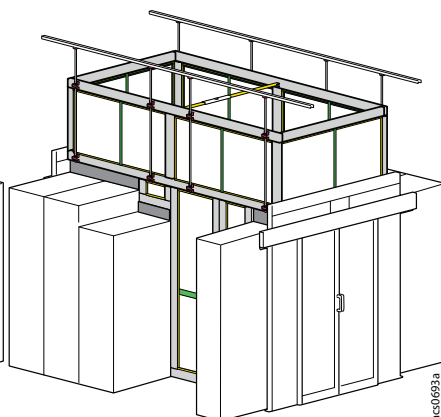
2.5 Install a Vertical Duct, page 62



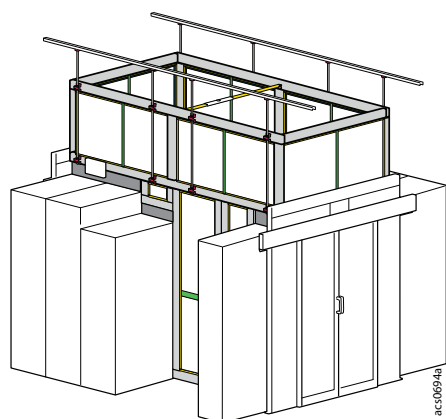
2.6 Install Blanking Panels, page 75



2.7 Install Cabinet Seals, page 82



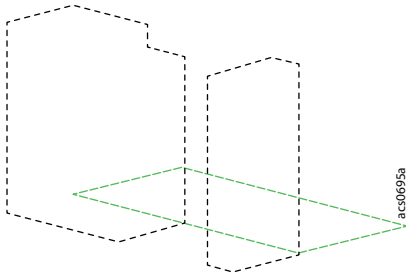
2.8 Install a Dual Sliding Door, page 84



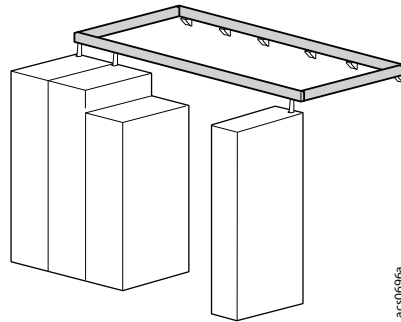
2.10 Install Lighting, page 118

1.6.3 Single-row Horizontal Roof, Hanging/Rack Mounted

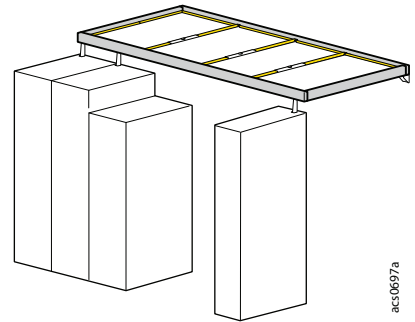
Follow this procedure for hanging horizontal roofs or rack-mounted horizontal roofs. The rack-mounted horizontal roof is shown here.



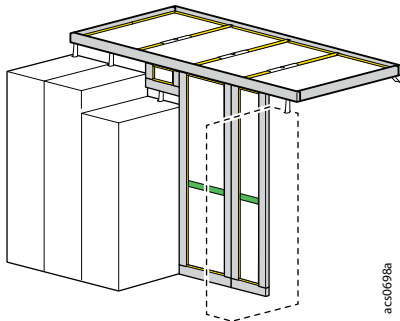
2.2 Prepare the Row Equipment, page 35



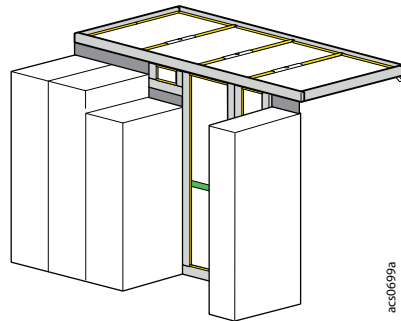
2.3 Install a Horizontal Roof Frame, page 40



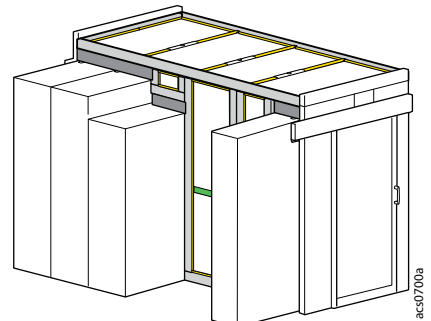
2.4 Install Horizontal Roof Panels, page 54



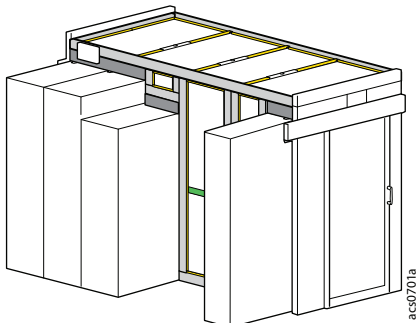
2.6 Install Blanking Panels, page 75



2.7 Install Cabinet Seals, page 82



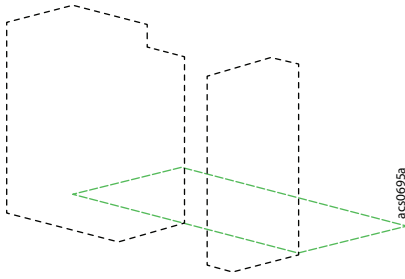
2.9 Install a Single Sliding Door, page 97



2.10 Install Lighting, page 118

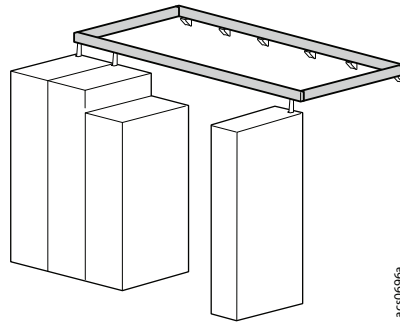
1.6.4 Single-row Vertical Duct, Hanging/Rack Mounted

Follow this procedure for hanging vertical ducts or rack-mounted vertical ducts. The rack-mounted vertical duct is shown here.



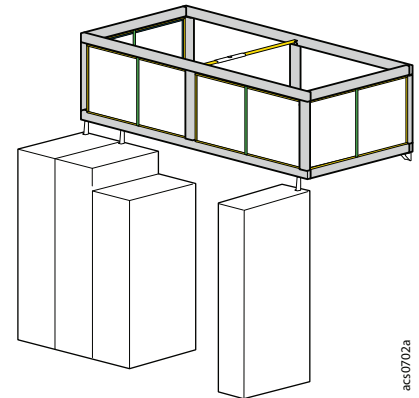
acs0695a

1. 2.2 Prepare the Row Equipment, page 35



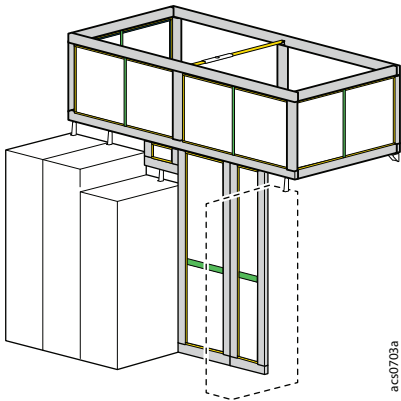
acs0696a

2. 2.3 Install a Horizontal Roof Frame, page 40



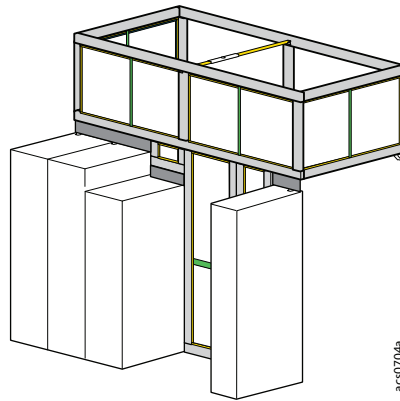
acs0702a

3. 2.5 Install a Vertical Duct, page 62



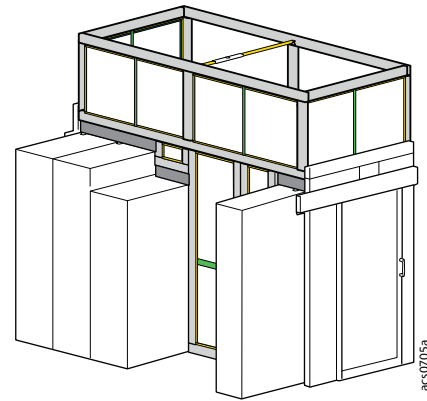
acs0703a

4. 2.6 Install Blanking Panels, page 75



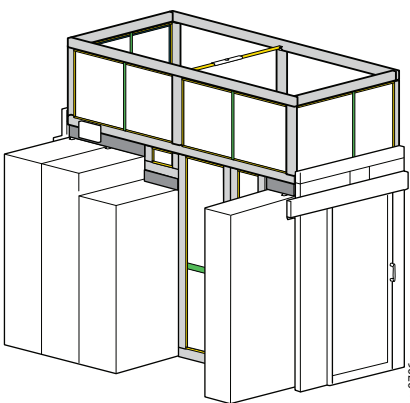
acs0704a

5. 2.7 Install Cabinet Seals, page 82



acs0705a

6. 2.9 Install a Single Sliding Door, page 97



acs0706a

7. 2.10 Install Lighting, page 118

2 Detailed Installation Procedures

What's in This Part

| | |
|---|-----|
| 2.1 Before You Begin | 27 |
| 2.2 Prepare the Row Equipment | 35 |
| 2.3 Install a Horizontal Roof Frame | 40 |
| 2.4 Install Horizontal Roof Panels | 54 |
| 2.5 Install a Vertical Duct..... | 62 |
| 2.6 Install Blanking Panels | 75 |
| 2.7 Install Cabinet Seals | 82 |
| 2.8 Install a Dual Sliding Door..... | 84 |
| 2.9 Install a Single Sliding Door | 97 |
| 2.10 Install Lighting | 118 |

2.1 Before You Begin

What's in This Chapter

2.1.1 Safety27
 2.1.2 Planning and Preparation28
 2.1.3 Installing Common Parts.....32

2.1.1 Safety

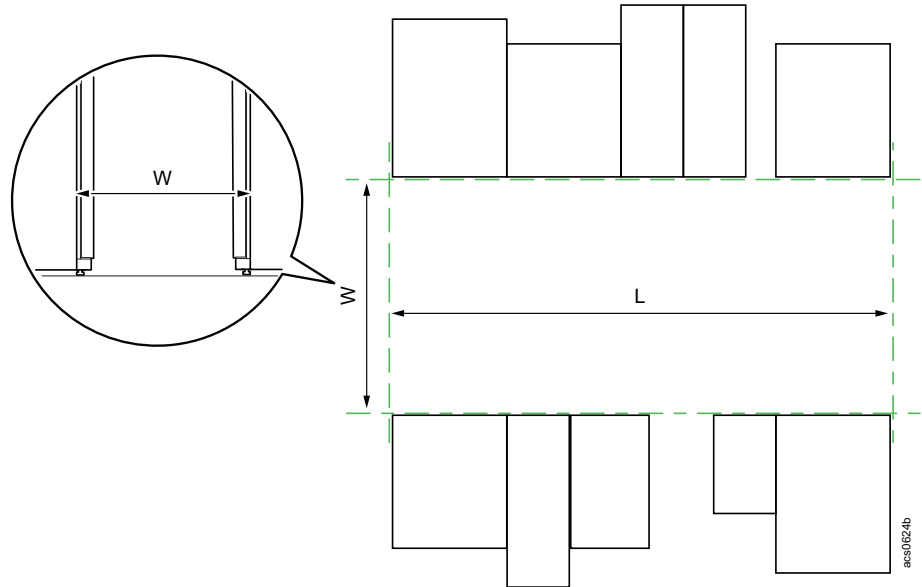
| |
|---|
| ⚠ WARNING |
| <p>SHARP EDGE HAZARD</p> <ul style="list-style-type: none"> • Be sure to read and follow the instructions that come with the power tools. • Wear Personal Protective Equipment (PPE) while cutting or installing the component. <p>Failure to follow these instructions can result in death, serious injury, or equipment damage.</p> |
| ⚠ CAUTION |
| <p>FALLING HAZARD</p> <ul style="list-style-type: none"> • The working height for assembly can exceed 4 m (13.12 ft). The use of stepladders or staging will be required to perform the assembly. • Do not step on the top of any rack while assembling the Aisle Containment system. • Roof structure components such as roof panels are not designed to support weight. Do not lean or walk on them. Do not use roof panels to support power or data cables. <p>Failure to follow these instructions can result in injury or equipment damage.</p> |
| ⚠ CAUTION |
| <p>HEAVY EQUIPMENT HAZARD</p> <ul style="list-style-type: none"> • At least two people are required to assemble the Aisle Containment system. • Use more than one person for components that weigh more than 12 kg (25 lbs). <p>Failure to follow these instructions can result in injury or equipment damage.</p> |

2.1.2 Planning and Preparation

Before installing the Aisle Containment solution, determine the following:

- The slope of your floor. The data center floor must be within 0.075° from level for an 8-rack configuration, or within 0.035° from level for a 16-rack configuration.
- The width (W) and length (L) of the aisle.

NOTE: The width (W) of the aisle is measured from rack frame to rack frame, not from door to door.



NOTE: The Aisle Containment solution is compatible with three aisle widths: 3 ft (972 mm), 4 ft (1,268 mm), and 6 ft (1,860 mm)

- The amount of open space above the tallest racks.

NOTE: For hanging solutions and vertical ducts, you need to know the exact amount of space available. For rack-mounted horizontal roofs, you need to ensure that there is at least 253 mm (10 in) of open space available to install the horizontal roof.

Use the official configuration tool to ensure that you order all necessary parts for your configuration.

Before beginning the installation, review the *NetShelter Aisle Containment Next Generation Cutting and Measurement Guide* (TME19697), available in the Schneider Electric download center.

2.1.2.1 Choosing a Configuration

Consider the following limitations as you choose the aisle configuration:

- The rack-mounting hardware is only compatible with APC NetShelter SX Racks and APC Easy Racks.

NOTE: You can install other equipment between the racks as long as the width of the equipment is 880 mm (35 in) or less. You must arrange the racks around this equipment so that at least one Cabinet Install Bracket connects to the horizontal roof frame every 1,000 mm (39.4 in).

- The hanging hardware is vendor-neutral.
- The hanging vertical duct is designed for use with a drop ceiling.
- Single doors are used with single-row aisles. Dual doors are used with dual-row aisles.
- Single-door solutions are only compatible with 3-ft and 4-ft aisles. For a 6-ft, single-row aisle, you can install a NetShelter Aisle Containment Curtain Door (see 3.2 NetShelter Aisle Containment System Curtain Doors, page 145 for instructions).

NOTE: Dual doors are compatible with all three aisle widths.

- Single-row aisle solutions must be secured against a wall.

2.1.2.2 Considerations for the Placement of Row Equipment

⚠️⚠️ DANGER

HAZARD OF ELECTRIC SHOCK, EXPLOSION, AND ARC FLASH

If you have to move a PDU, UPS, or InRow unit, you must first disconnect the power to the unit.

Failure to follow these instructions will result in death or serious injury.

- The Aisle Containment System can be installed around row equipment that is already installed in a building, or it can be assembled from new row equipment. If you install the Aisle Containment System around pieces of equipment that are already installed, consider using a Power Distribution Unit (PDU), an Uninterruptible Power Supply (UPS), or an InRow unit as a starting point. If you have to move a PDU, UPS, or InRow unit, you must first disconnect the power to the unit.
- The doors cannot be sealed against blanking panels. There must be a rack or other piece of equipment at the end of each row to properly seal the doors.
- The rack-mounting hardware is only compatible with NetShelter SX Racks and Easy Racks. However, you can install other equipment between the racks as long as the width of the equipment is 880 mm (35 in) or less. You must arrange the racks around this equipment so that at least one Cabinet Install Bracket connects to the horizontal roof frame every 1,000 mm (39.4 in).
- If you plan to use raised-floor cooling, ensure the perforated floor tiles are unobstructed.

2.1.2.3 Planning the Lighting Configuration

Plan the location of motion sensors, manual switches, control boxes, and LED modules before installation. Use this plan to determine the number and length of the Cat 5 Ethernet cables needed. These cables are not provided and must be purchased separately.










The lighting assembly consists of the following:

- One or more LED Modules (NSAC2121), mounted on Lighting Mounting Rails (NSAC2004). The LED Module includes two lighting strips.
- One or more Lighting Control Boxes (NSAC2122).

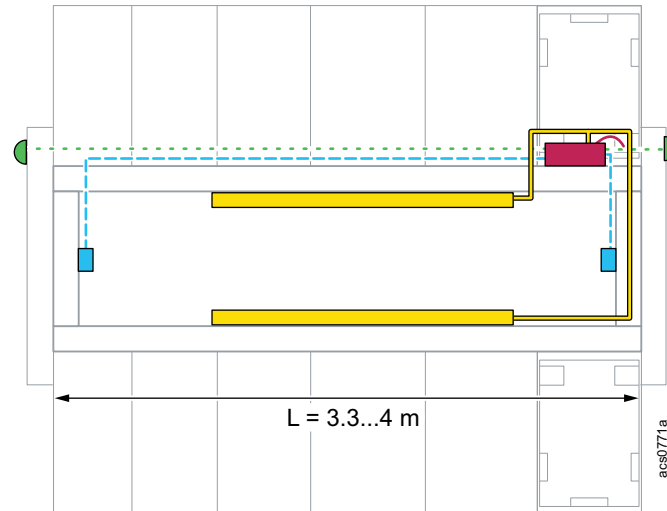
The Lighting Control Box provides power to the lighting strips. The Lighting Control Box kit includes two motion sensors, which cause the lighting strips to illuminate when motion is detected. The Lighting Control Box Kit also includes two manual switches, which turn the lighting strips off. When the lighting strips have been turned off manually, the motion sensors can turn the lighting strips on again after 10 seconds.

The following diagrams show recommended lighting configurations based on the aisle length (L). For more detailed installation instructions and configuration options, see 2.10.1 Install the LED Module, page 121 and 2.10.2 Installing the Lighting Control Kit, page 124.

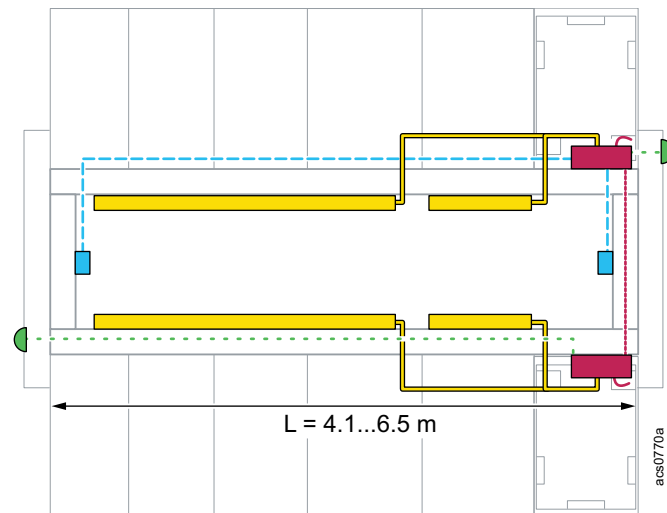
Key

| | |
|---|--|
|  | Power cord for Lighting Control Box, 15 A, 250 V, C13 to C14 |
|  | Cat 5 Ethernet Cable for control group communication (not provided) |
|  | Power connection for control box |
|  | Motion sensor |
|  | Cat 5 Ethernet Cable from motion sensor to control box (not provided) |
|  | Lighting Mounting Rail |
|  | Wire connection to LED Module This connection consists of two wires: the cable from the LED Module, and the 24 V wire assembly included in the Lighting Control Box. The wires are connected using the wire splicing connectors included with the LED Module. |
|  | Manual switch |
|  | Cat 5 Ethernet Cable from manual switch to control box (not provided) |

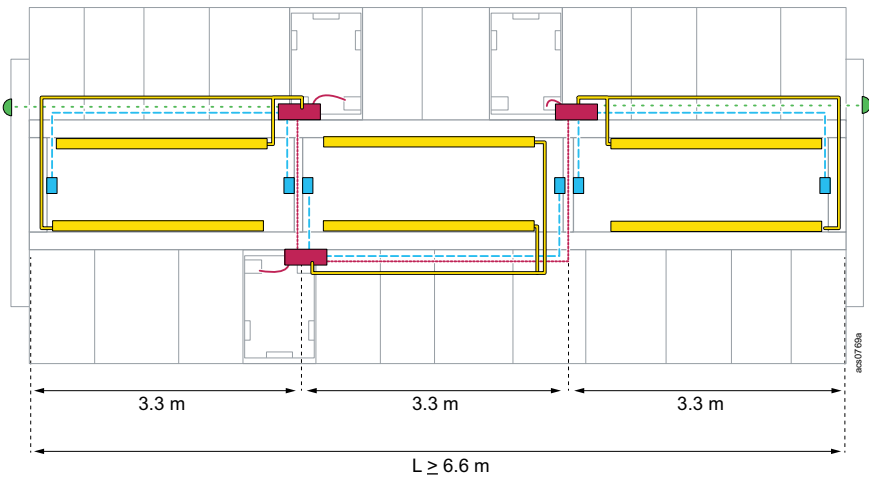
If the aisle length (L) 3.3...4 m, we recommend that you install one LED Module and one Lighting Control Box kit.



If the aisle length (L) is 4.1...6.5 m, we recommend using a combination of whole and cut LED Modules. The length of the cut modules may vary.



If the aisle length (L) is greater than 6.6 m, we recommend that you install one LED and one Lighting Control Box for every 3.3-m section of the aisle.



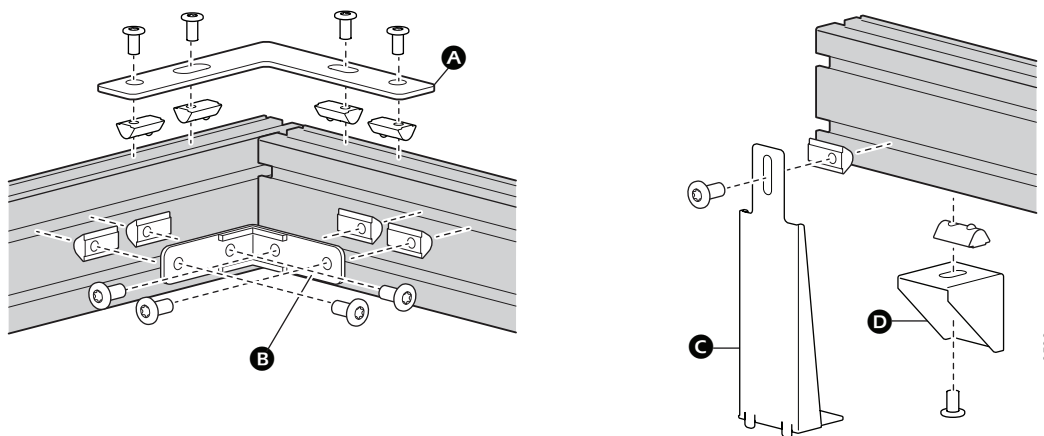
You can install the motion sensors (■) to the panel connectors to place them in the middle of the aisle. Install two panel connectors with motion sensor side-by-side at the end of each 3.3-m section. Arrange each motion sensor to face towards the center of a 3.3-m section.

2.1.3 Installing Common Parts

The following parts are used in many assemblies and have common installation methods.

2.1.3.1 Spring Nuts

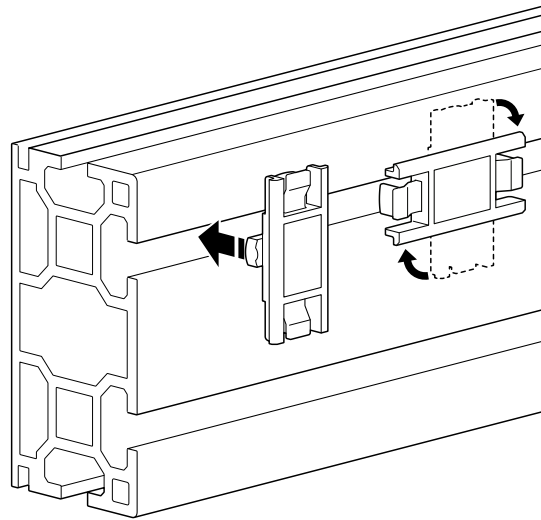
Insert the M6 spring nuts into the grooves of the frame extrusions. Use provided M6 screws to secure the hardware to the spring nuts as shown.



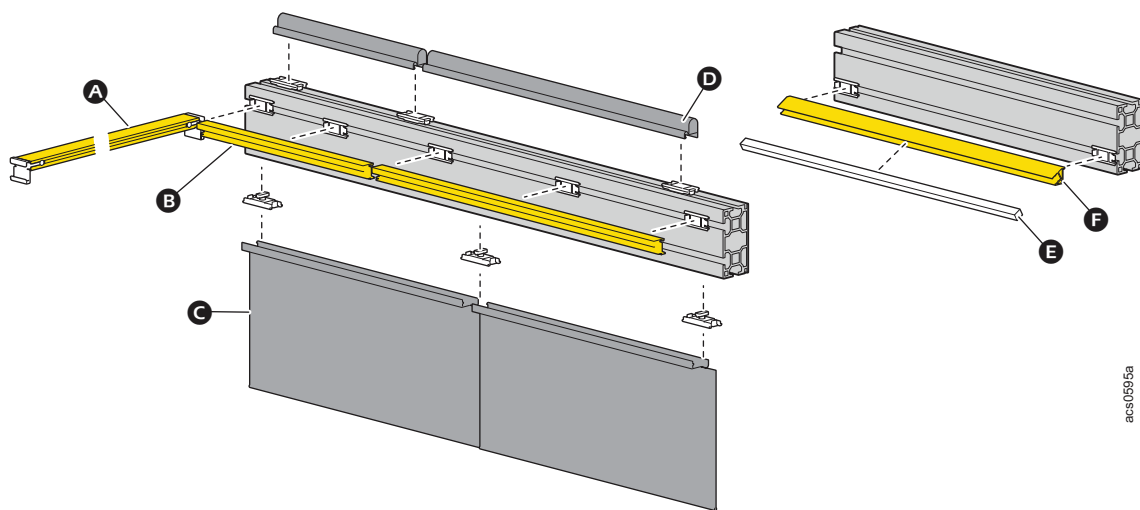
| Item | Part number | Description |
|----------|-------------|-------------------------|
| A | NSAC2601 | L connector |
| B | NSAC2603 | Interior Connector |
| C | NSAC2604 | Cabinet Install Bracket |
| D | NSAC2606 | Right Angle Connector |

2.1.3.2 Mounting Rail Connectors

Insert the Mounting Rail Connectors (NSAC2607) into the channels on the frame extrusions. Turn the connectors 90° to secure them.



Snap or slide the equipment onto the connectors as shown. Place one Mounting Rail Connector at both ends of each part. Place an additional mounting rail connector in the center of Panel Mounting Rails.

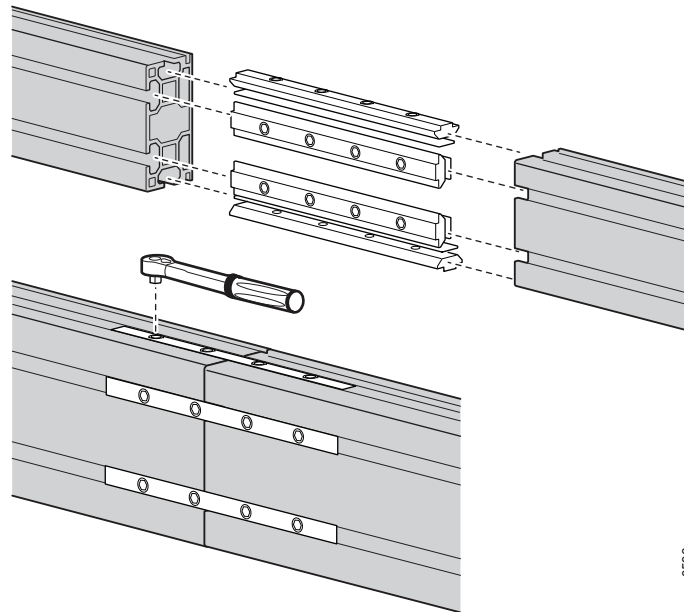


acs0595a

| Item | Part number | Description |
|----------|--------------------|-----------------------------|
| A | NSAC2151, NSAC2152 | Panel Connector |
| B | NSAC2002 | Panel Mounting Rail, part A |
| C | NSAC2003 | Cabinet Seal |
| D | NSAC2006 | Seal Coextrusion |
| E | NSAC2121 | LED Module |
| F | NSAC2004 | LED mounting rail |

2.1.3.3 Straight Connectors (NSAC2608)

Insert the Straight Connectors and lining panels into both frame extrusions, then tighten the four M6 socket screws in each Straight Connector.



acs0598a

2.2 Prepare the Row Equipment

What's in This Chapter

| | |
|---|----|
| 2.2.1 Considerations for Hanging Configurations | 37 |
| 2.2.2 Considerations for Single-Row Configurations..... | 39 |

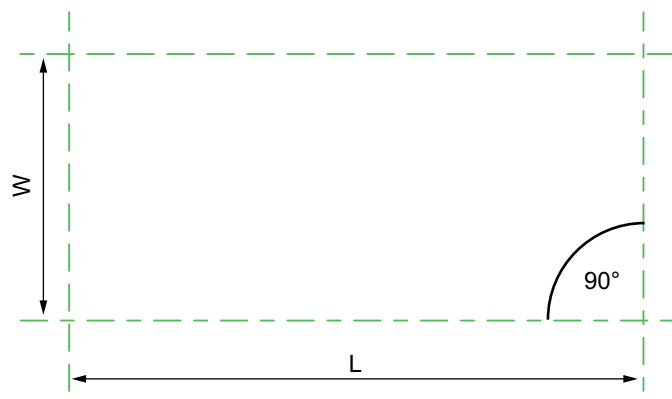
NOTICE

Precision is essential to ensure the proper alignment optimal performance of the Aisle Containment Solution. Ensure that your solution stays within the designated tolerances. Carefully level and square the equipment throughout the installation.

- The width of the aisle has a tolerance of ± 3 mm (0.12 in) to be compatible with the door assemblies.
- The data center floor must be within 0.075° from level for an 8-rack configuration, or within 0.035° from level for a 16-rack configuration.
- Ensure that equipment rows are parallel, and that the corners of the rows form a 90° angle

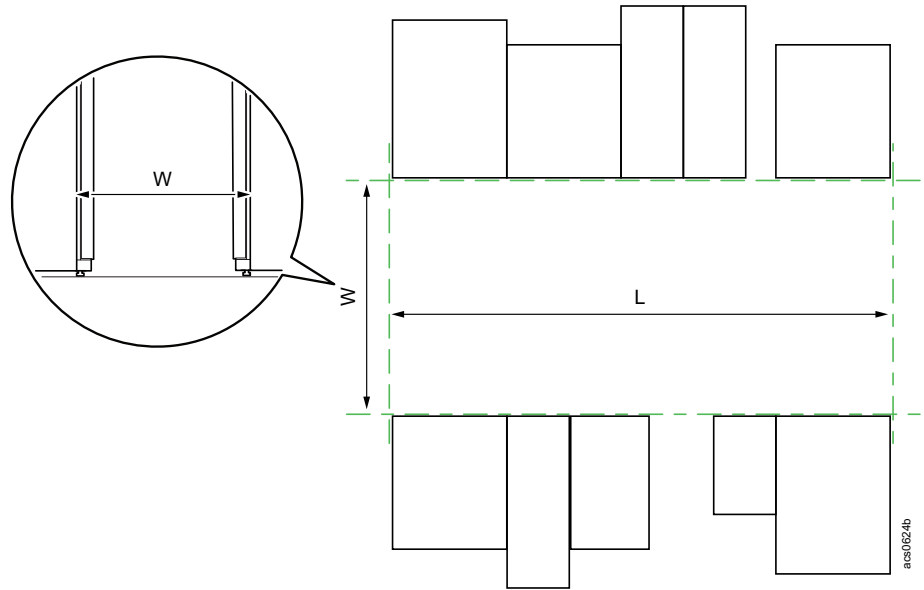
To Install the row equipment:

1. Use a chalk line (or a similar tool) to draw the aisle perimeter and make sure all corners are square. For a hanging system, draw one perimeter on the ceiling and one on the ground, using a plumb-bob or laser to ensure both perimeters are vertically aligned.



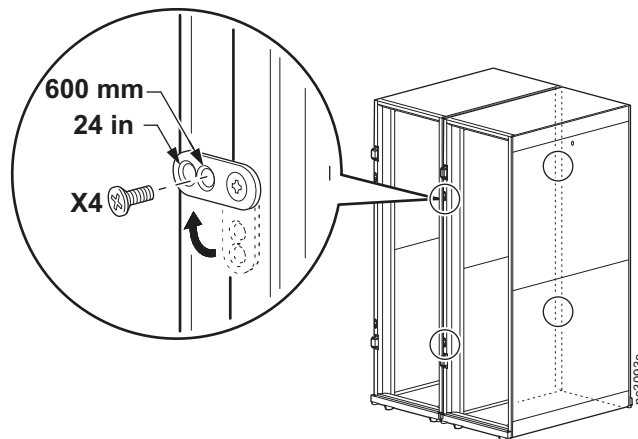
NOTE: The aisle length (L) varies depending on the type and number of the racks. The aisle width (W) must be one of the supported aisle widths: 3 ft (972 mm), 4 ft (1,268 mm), or 6 ft (1,860 mm).

- Place your equipment along the length of the aisle (L). The edges of the rack frames should align with the aisle perimeter.

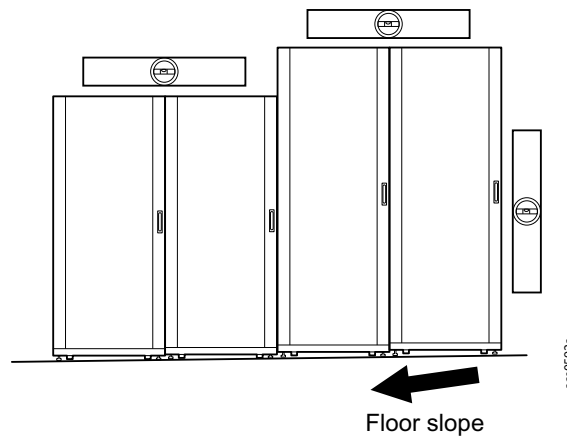


To make sure that the row equipment is prepared correctly:

- If you plan to use raised-floor cooling, ensure the perforated floor tiles are unobstructed.
- Join adjacent racks on 600-mm centers. Joining racks on 24-in centers will leave space between the racks, allowing air to escape the aisle.

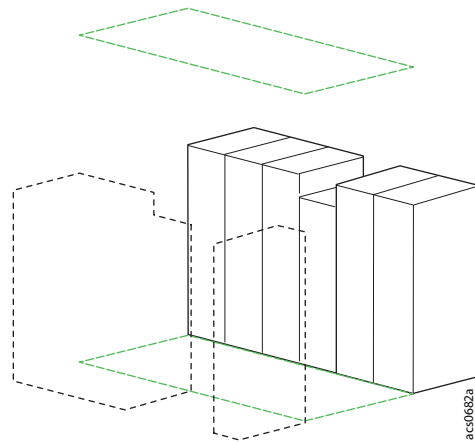


- Adjust the height of your row equipment so that the tops of racks with similar heights are level. If needed, adjust the leveling feet to counteract the slope of the floor.

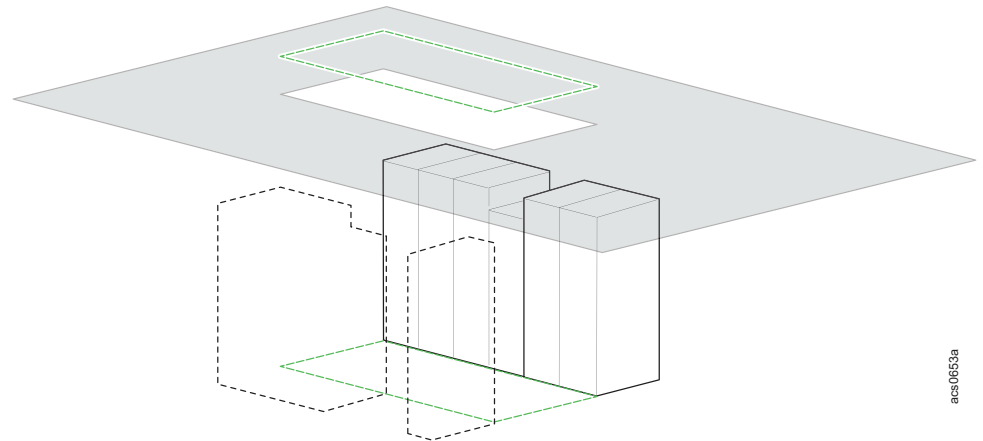


2.2.1 Considerations for Hanging Configurations

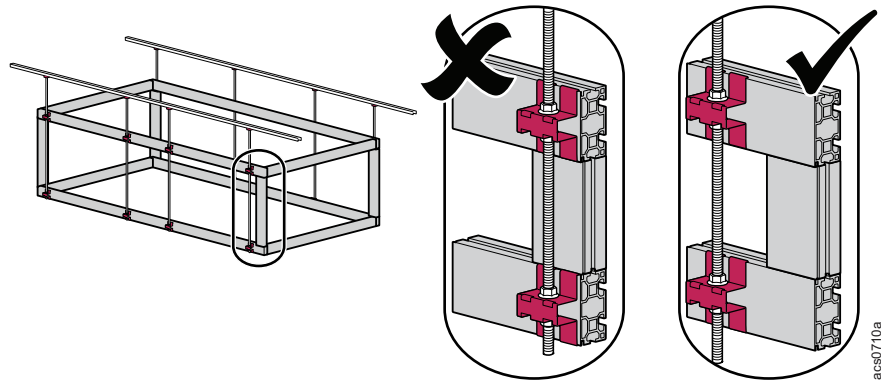
Mark an additional perimeter line on the ceiling. Use a laser or a plumb-bob to ensure that the perimeters on the ceiling and the floor are aligned.



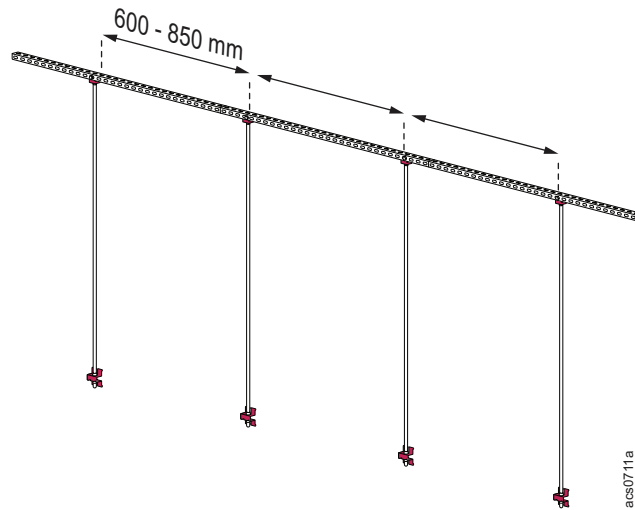
Hanging vertical ducts are used with drop-ceilings. Remove the drop ceiling tiles above the aisle containment solution. Place the upper perimeter on the true ceiling.



For hanging vertical ducts, the support brackets cannot be installed at the same locations as the vertical frame extrusions. Plan the placement of the support hardware and vertical frame extrusions so that they are offset from each other.



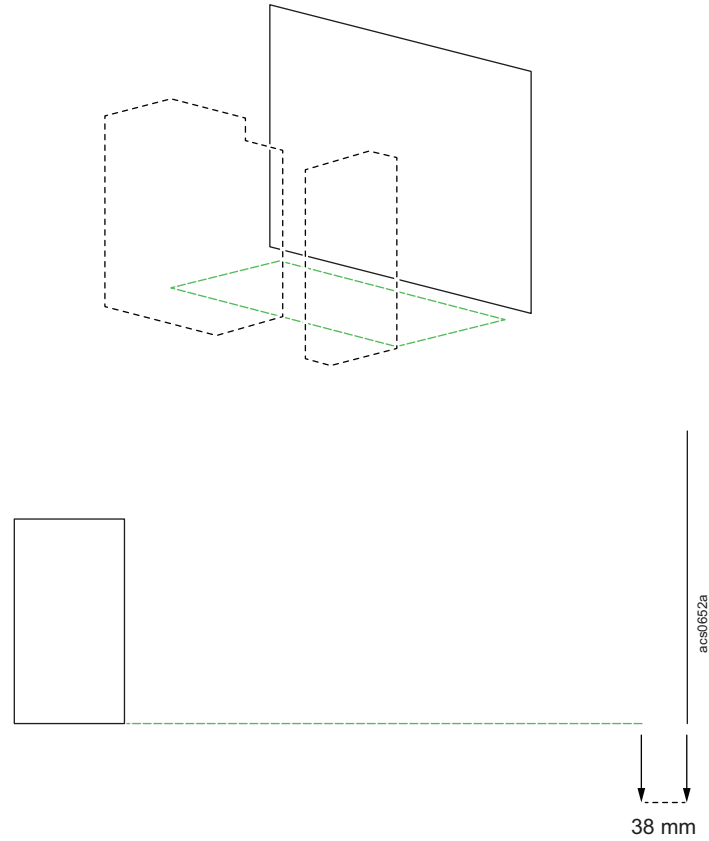
- You must install a vertical frame extrusion at each corner of the hanging vertical duct.
- You must place the support rods 600...850 mm (23.6...33.5 in) (24...33 in) apart.



2.2.2 Considerations for Single-Row Configurations

In a single-row containment system, one side of the horizontal roof frame will be against the wall. Leave at least 38 mm (1.5 in) of space between the aisle perimeter and the wall for the horizontal roof frame.

If you intend to install insulation between the containment system and the wall, add more space for the insulation.



2.3 Install a Horizontal Roof Frame

What's in This Chapter

- 2.3.1 Basic Structure 40
- 2.3.2 Rack Mounted Horizontal Roof Installation 43
- 2.3.3 Hanging Horizontal Roof Installation 47
- 2.3.4 Single-row Installation: Right Angle Connectors 52

The horizontal roof frame is the base of the aisle containment structure. You will assemble the horizontal roof frame directly onto the mounting hardware.

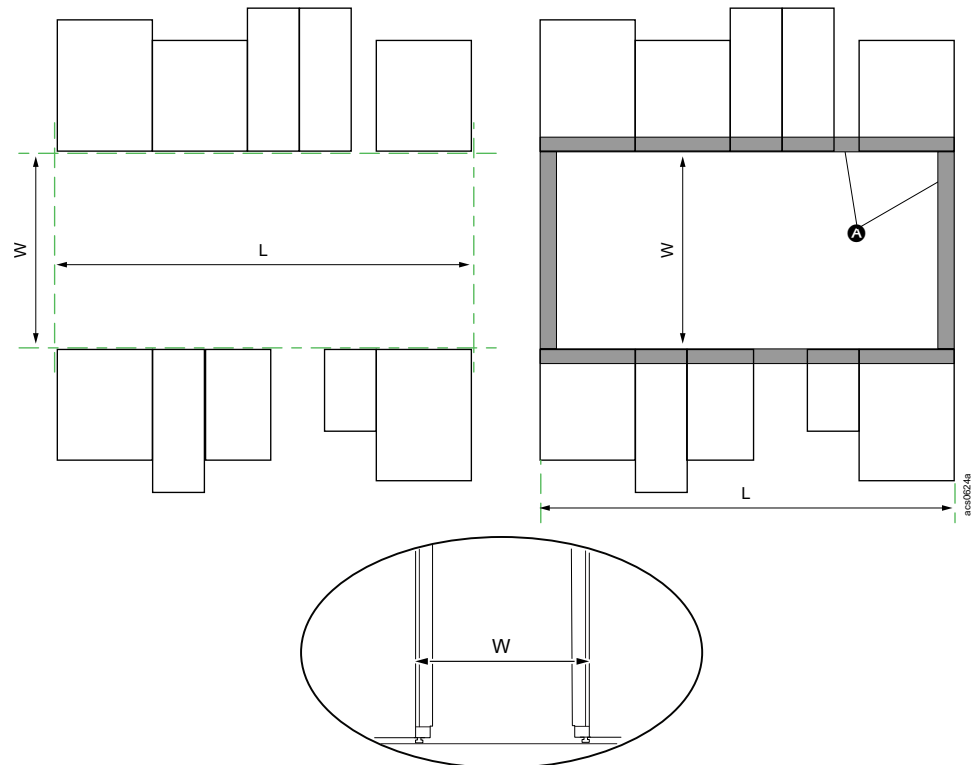
There are three options to mount the horizontal roof frame:

- Use the rack-mount hardware.
- Use the hanging hardware.
- For single-row containment systems: Use the rack-mount hardware or hanging hardware on one side. Mount the other side to a wall.

2.3.1 Basic Structure

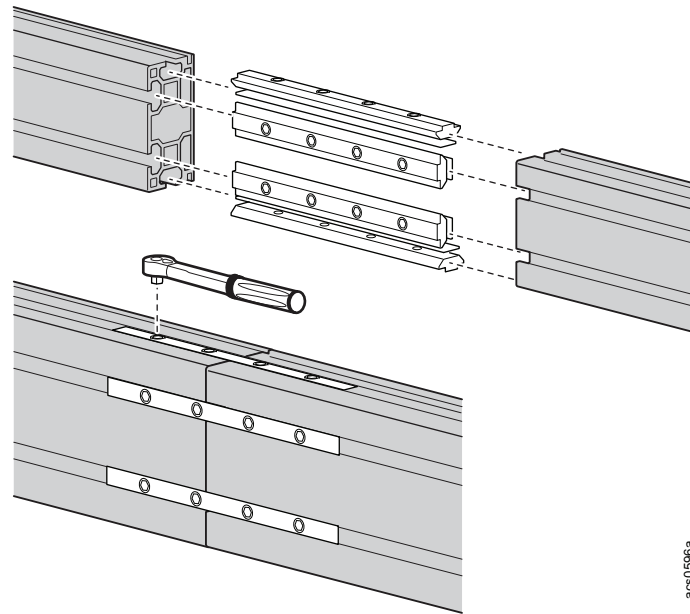
The basic structure is four frame extrusions **A**. Frame extrusions along the aisle length are placed directly above the racks. The inner edge of the extrusion aligns with the aisle perimeter.

Extrusions along the aisle width of the aisle are placed between the racks. The outer edge of the extrusion aligns with the edge of the aisle perimeter.



Use the straight connectors (NSAC2608) to connect adjacent frame extrusions. Use an M6 hex wrench to tighten the straight connectors.

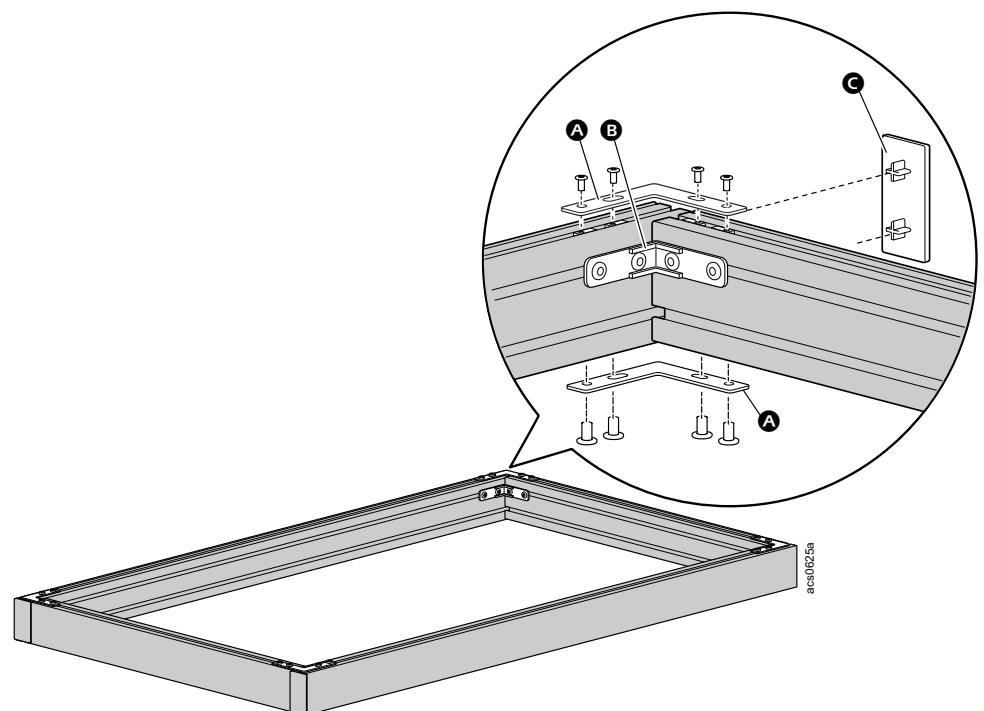
NOTE: Install at least two straight connectors to connect each set of frame extrusions. Where possible, use more (up to four).



acs0698a

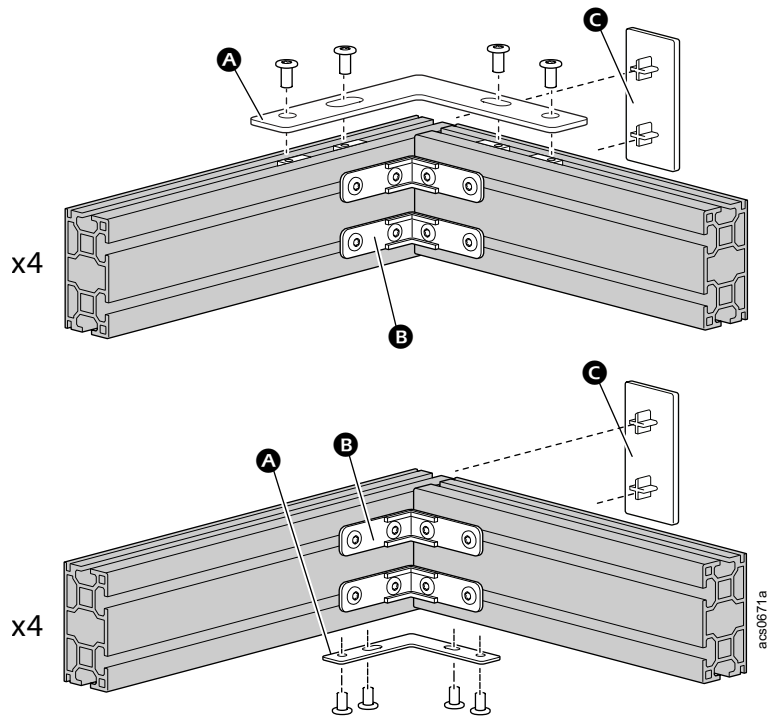
Install the following at each corner:

- Two L Connectors (NSAC2601) **A**
- One Interior Connector (NSAC2603) **B**
- One frame extrusion cover **C**



acs0625a

For vertical ducts: only install the bottom L Connectors **A** on the bottom horizontal roof frame. Only install the top L Connectors **A** on the top horizontal roof frame. Install two Interior Connectors **B** at each corner.



2.3.2 Rack Mounted Horizontal Roof Installation

NOTICE

Ensure the horizontal roof frame is level. A level horizontal roof frame is necessary to ensure the aisle containment system is properly aligned and sealed.

Parts and tools

| Required parts |
|--|
| Frame Extrusion and End Cover (NSAC2001) |
| L Connectors (NSAC2601) |
| Interior Connectors (NSAC2603) |
| Straight Connectors (NSAC2608) |
| Cabinet Install Brackets (NSAC2604) |

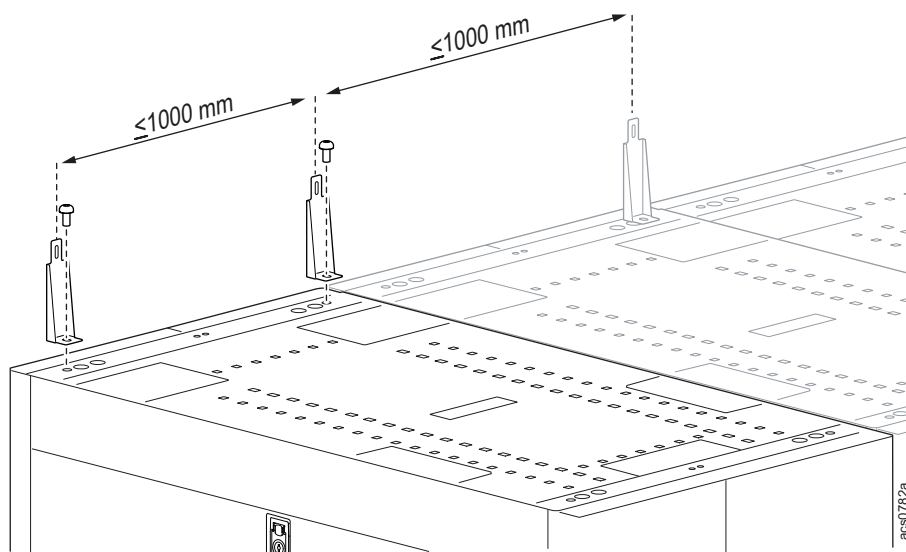
| Tools required (not provided) |
|-------------------------------|
| Mitre saw |
| Metal file for de-burring |
| T30 screw driver |
| M6 hex wrench |
| M10 hex wrench |

Cabinet Install Brackets are only compatible with APC NetShelter SX racks and APC Easy Racks.

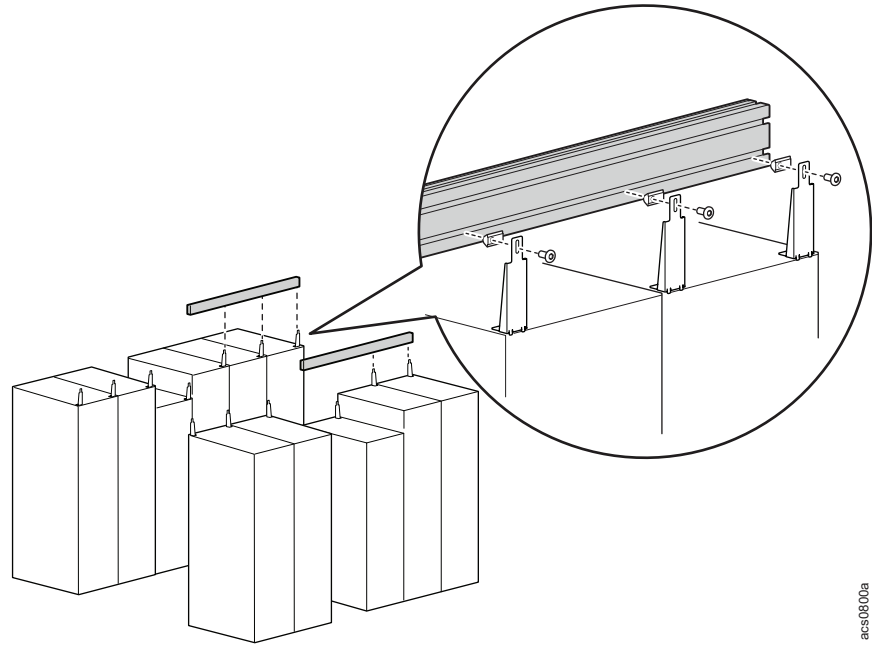
- The racks include M10 threaded holes for eye-bolt lifting. Use the provided M10 socket screws to secure the Cabinet Install Brackets to the racks.

NOTE: You must place a Cabinet Install Bracket at each corner of the horizontal roof frame.

NOTE: Do not place the Cabinet Install brackets more than 1,000 mm (39.4 in) apart.

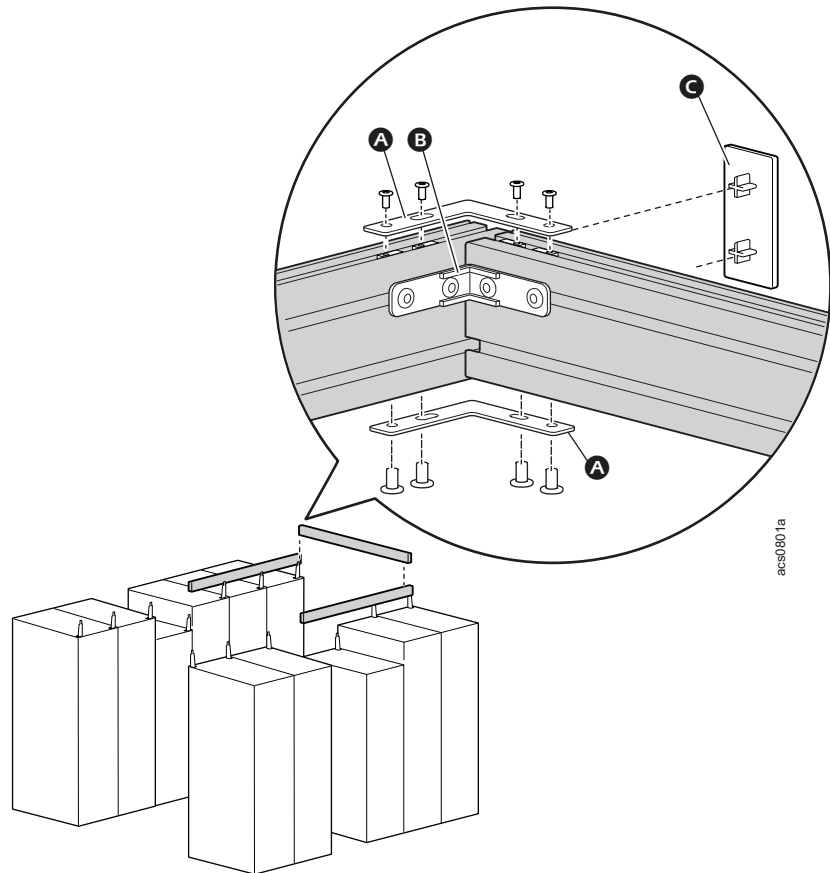


2. Mount two frame extrusions to the Cabinet Install Brackets. Do not fully tighten the screws. Ensure that the ends of the frame extrusions are flush with the ends of the racks.



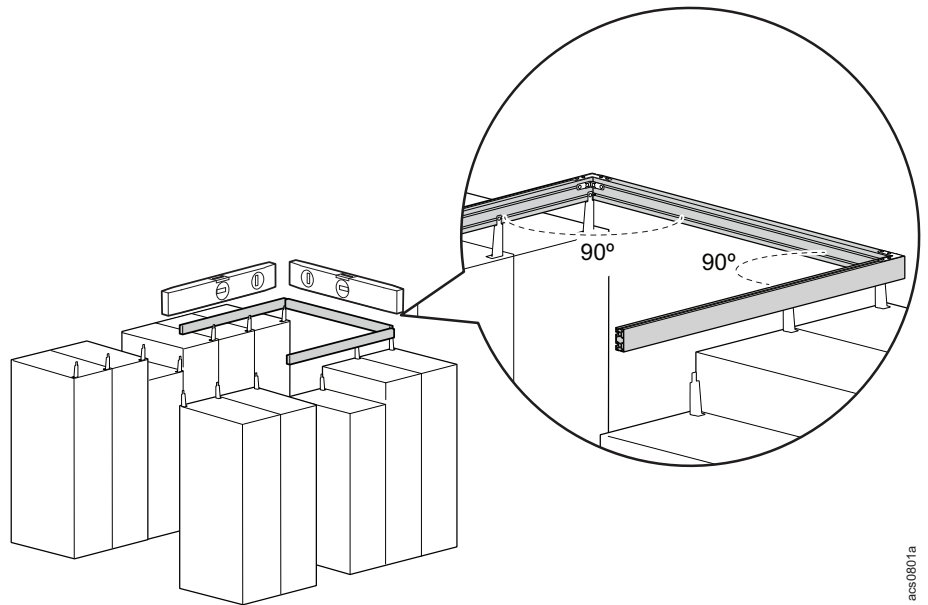
acc0800a

3. Cut two frame extrusions to fit the aisle width with a mitre saw, then de-burr the edges.
4. Install one frame extrusion across the end of the aisle with L Connectors (A) and Interior connectors (B). Install the end caps (C) for the frame extrusions.



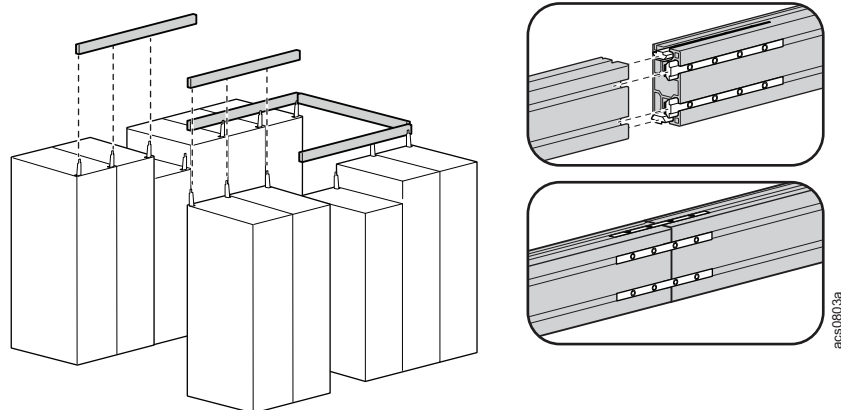
acc0801a

5. Ensure the frame extrusions are level, and that the corners are square.



acs0801a

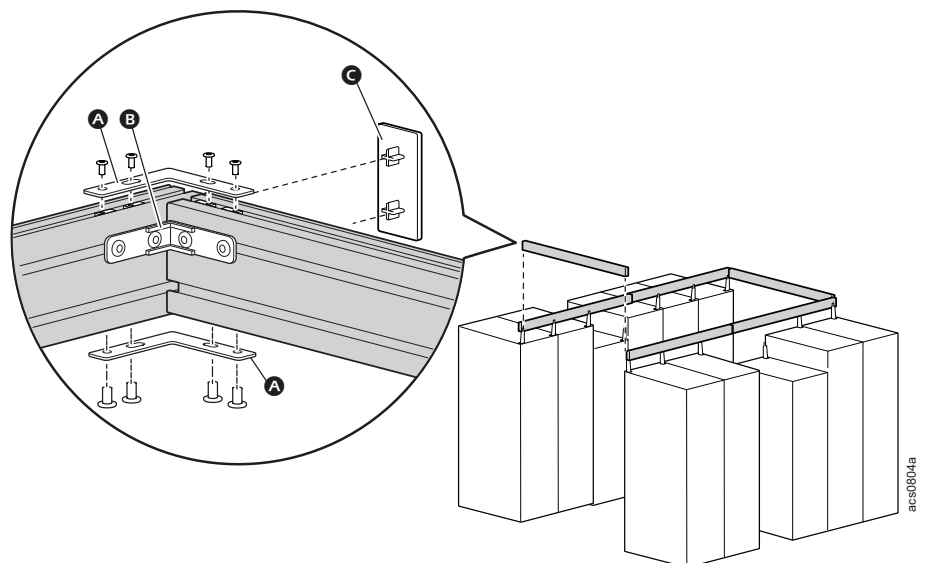
6. Install the remaining frame extrusions to the Cabinet Install Brackets. Connect adjacent frame extrusions with straight connectors.



acs0803a

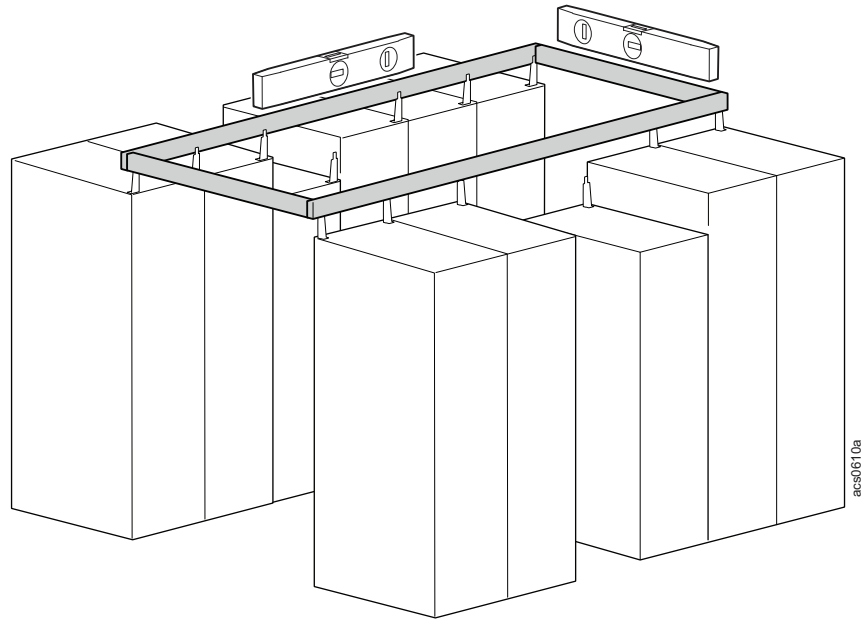
You may need to cut the last two frame extrusions to fit the remaining space. Always de-burr the edges after cutting.

7. Install a frame extrusion across the other end of the aisle with L Connectors (A) and Interior connectors (B). Install the end caps (C).



acs0804a

- Level the entire horizontal roof frame, and ensure that all the corners are square.



2.3.3 Hanging Horizontal Roof Installation

NOTICE

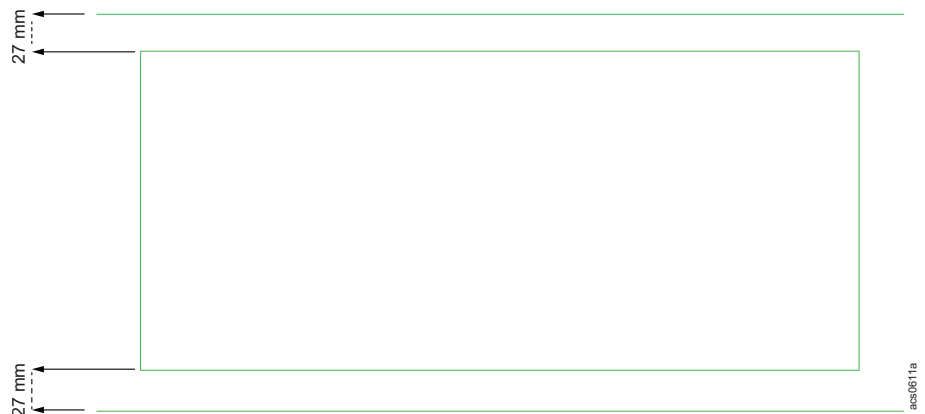
Ensure the horizontal roof frame is level. A level horizontal roof frame is necessary to ensure the aisle containment system is properly aligned and sealed.

Parts and tools

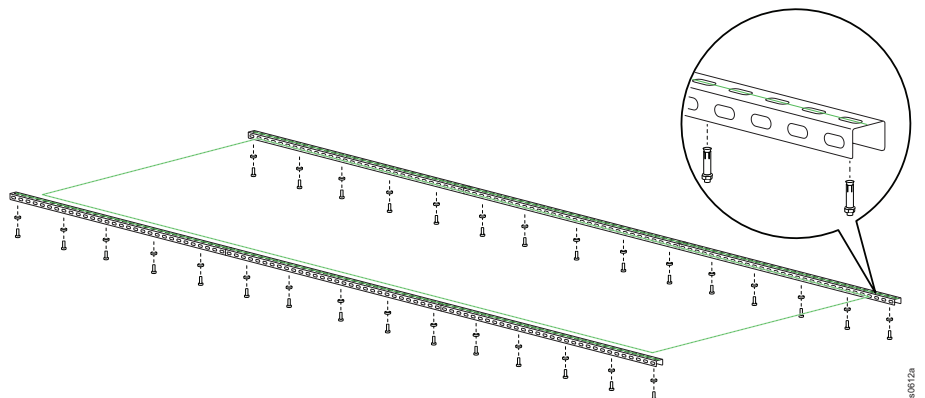
| Required parts |
|--|
| Frame Extrusion and End Cover (NSAC2001) |
| L Connectors (NSAC2601) |
| Interior Connectors (NSAC2603) |
| Straight Connectors (NSAC2608) |
| Ceiling Mounting Rail (NSAC2052) |
| Rod Mounting Brackets (NSAC2051) |

| Tools required (not provided) |
|---|
| Fasteners appropriate for your ceiling material |
| Drill with bits appropriate for your ceiling material |
| Threaded M10 support rods |
| M10 Flanged hex nuts |
| 17-mm wrench |
| Mitre saw |
| Metal file for de-burring |
| T30 screw driver |
| M6 hex wrench |

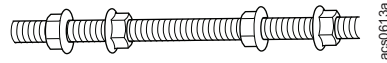
1. On the ceiling, mark two lines parallel to the length of the aisle, 27 mm (1 in) from the outer edges of the aisle.



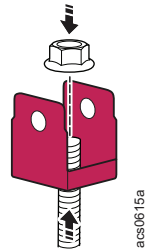
2. Center the Ceiling Mounting Rails on the outer lines. Install the mounting rails with fasteners appropriate to your ceiling material. Ensure that the Ceiling Mounting Rails extend slightly beyond the length of the aisle.



3. Install M10 nuts to the support rods. Each pair of M10 nuts will secure a support bracket. If your aisle containment solution includes a horizontal roof, install two nuts per support rod. If your aisle containment solution includes a vertical duct, install four nuts per support rod.

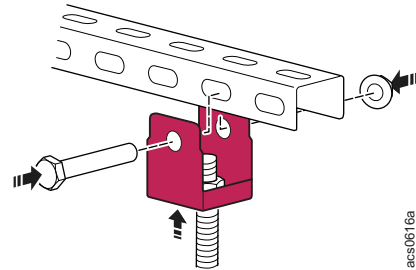


4. Use the M10 nuts to secure the support rods to the Rod Mounting Brackets. Leave enough space to insert the M10 bolts through the top of the bracket.

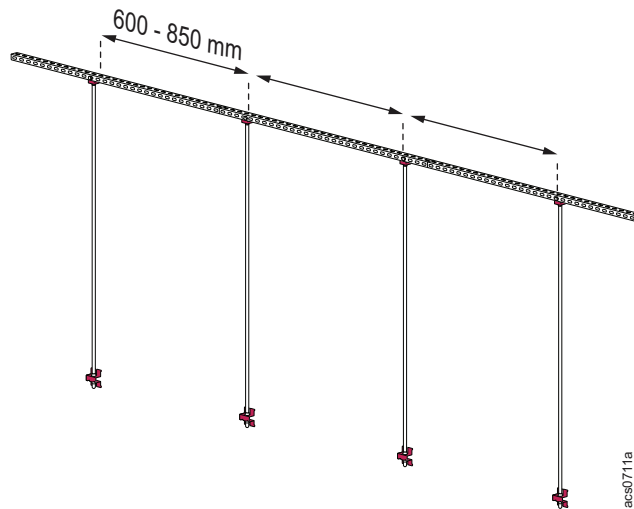


5. Use the M10 bolts and nuts included with the support bracket kit to secure the upper support bracket to the Ceiling Mounting Rail.

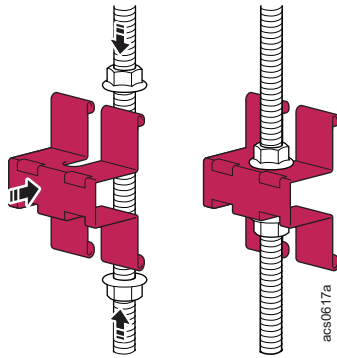
NOTE: For vertical ducts, place the support rods so that they are offset from the vertical frame extrusions.



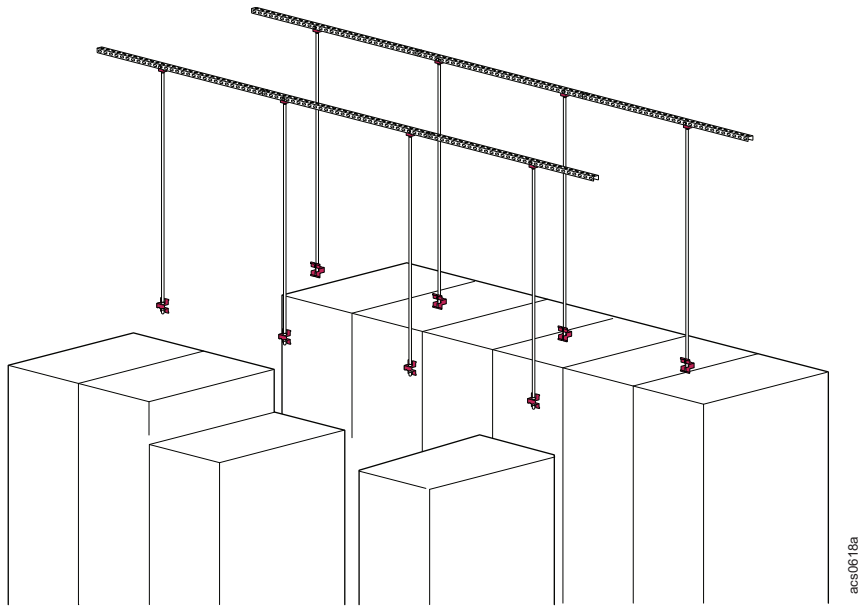
Place the support rods 600...850 mm (23.6...33.5 in) apart.



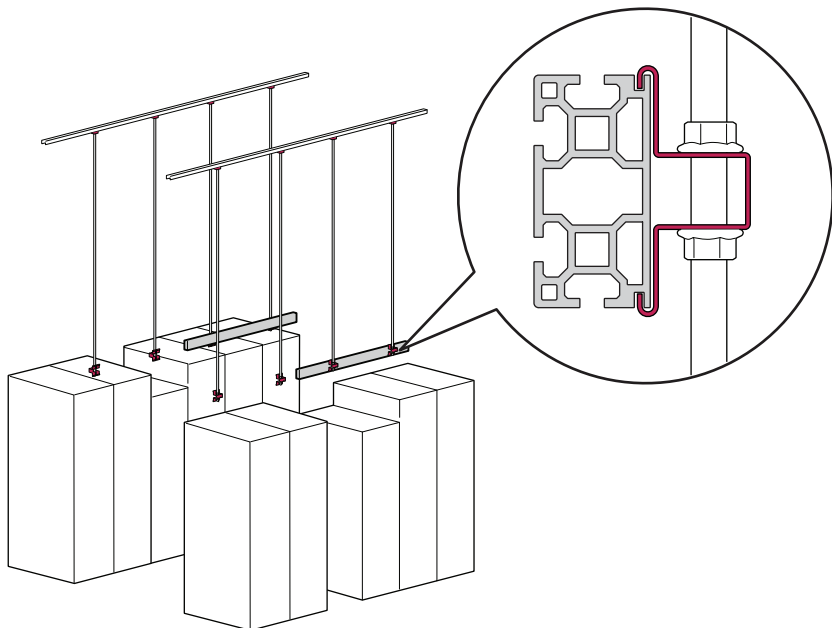
6. Secure each Frame Mounting Bracket to the support rods with two M10 nuts.



Ensure the support brackets are aligned at the height where the horizontal roof frame will go (120...140 mm above the tallest rack).

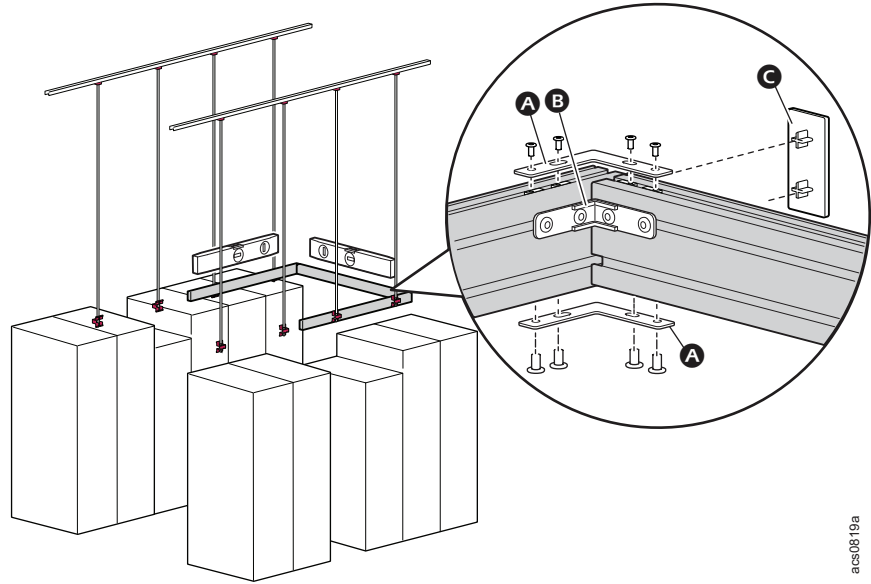


7. Snap two Frame Extrusions into the Frame Mounting Brackets. Ensure that the ends of the frame extrusions are flush with the ends of the racks.

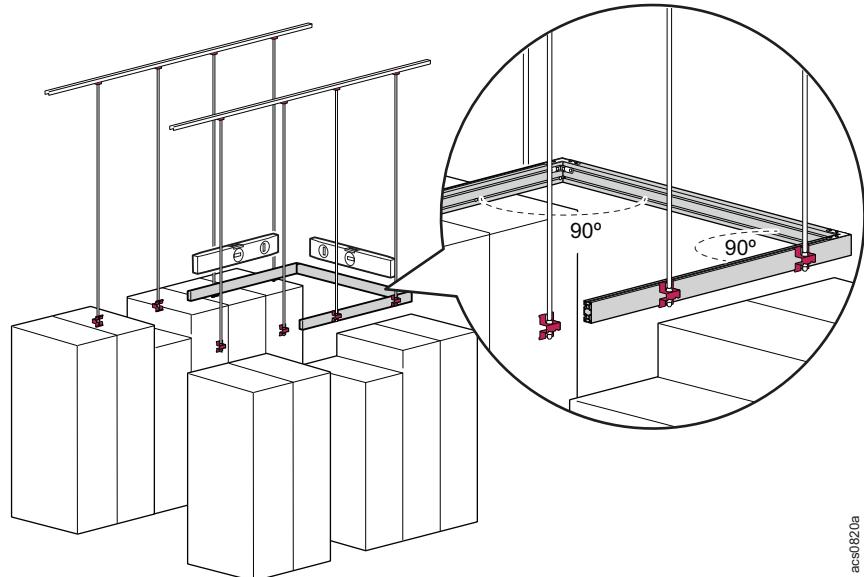


8. Cut two frame extrusions to fit the aisle width with a mitre saw, then de-burr the edges.

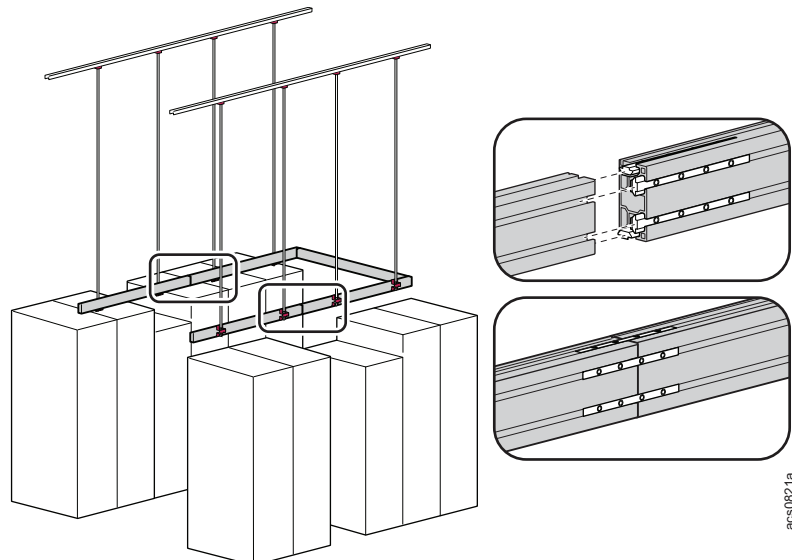
9. Install one frame extrusion across the end of the aisle with L Connectors **A** and Interior connectors **B**. Install the end caps **C** for the frame extrusions.



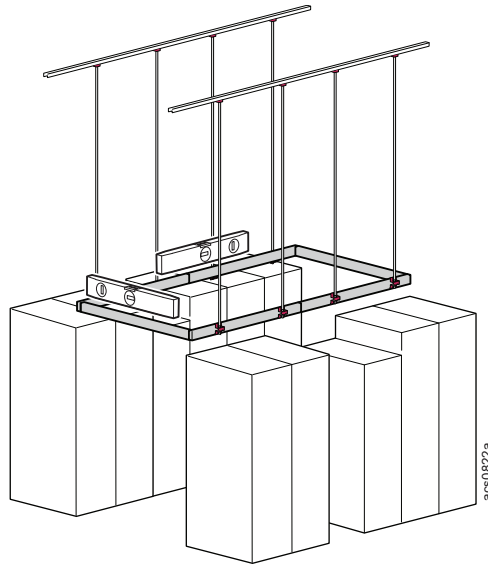
10. Ensure the frame extrusions are level, and that the corners are square.



11. Install the remaining frame extrusions. Connect adjacent frame extrusions with straight connectors.



12. Install a frame extrusion across the other end of the aisle with L Connectors and Interior connectors as described in step 9.
13. Level and square the horizontal roof frame. If needed, use the M10 nuts to adjust the height of the support brackets.



2.3.4 Single-row Installation: Right Angle Connectors

NOTICE

Ensure the horizontal roof frame is level. A level horizontal roof frame is necessary to ensure the aisle containment system is properly aligned and sealed.

Parts and tools

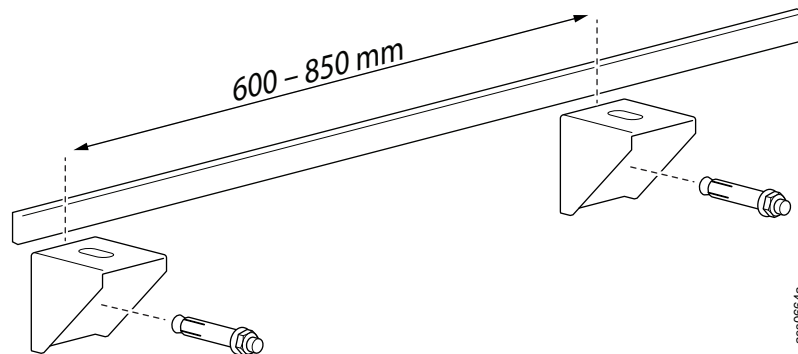
| Required parts |
|-----------------------------------|
| Right Angle Connectors (NSAC2606) |
| Air Sealing Kit (FS-AC-1001-U) |

| Tools required (not provided) |
|---|
| M6 Expansion bolts appropriate for your wall material |
| M6 Nuts and Washers |

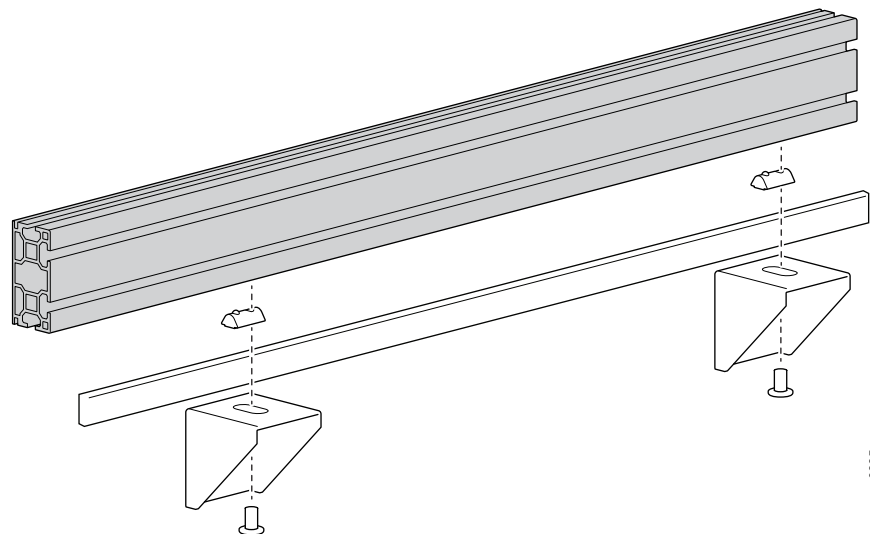
Refer to the Rack-mounted Horizontal Roof installation or Hanging Horizontal Roof Installation procedures for the remaining parts and tools.

If your aisle only has one row of equipment, use the rack-mount or hanging hardware to mount the horizontal roof frame over the equipment. Secure the other side of the horizontal roof frame to a wall using the Right Angle Connectors.

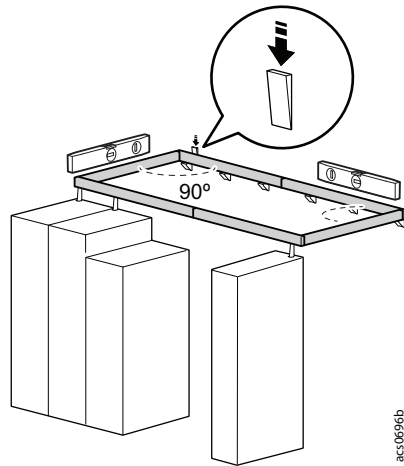
1. Measure and mark the location of the frame extrusions on the wall.
2. Install a seal where the frame extrusion will be placed along the wall.
3. Use appropriate fasteners for your wall type (not provided) to secure the Right Angle Connectors to the wall. Place the Right Angle connectors 600...850 mm (23.6...33.5 in) apart.



4. Use the provided spring nuts and M6 TORX screws to secure the Frame Extrusions to the Right Angle Connectors.



5. As you install the frame extrusions, constantly check to ensure the frame extrusions are level, and install shims as needed to ensure that the frame extrusions against the wall are parallel to the frame extrusions above the row equipment.



6. Complete the horizontal roof frame as specified in 2.3.2 Rack Mounted Horizontal Roof Installation, page 43 or 2.3.3 Hanging Horizontal Roof Installation, page 47.

2.4 Install Horizontal Roof Panels

What's in This Chapter

2.4.1 Plan Motion Sensor Placement for Aisles 6.6 m or Greater 54
 2.4.2 Prepare the Panel Connectors (NSAC2151/NSAC2152) 55
 2.4.3 Install Panels to the Frame 57

Parts and tools

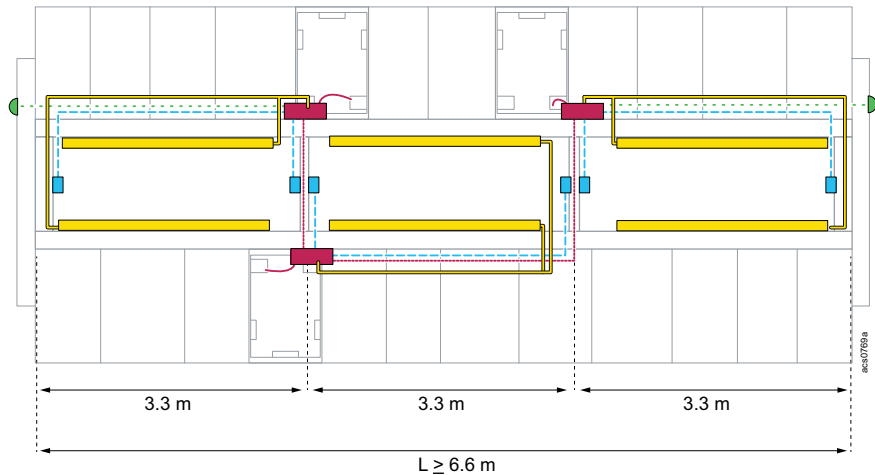
| Required parts |
|--|
| Multi Wall Panels (NSAC2101 or NSAC2102) |
| Panel Connectors (NSAC2151 or NSAC2152) |
| Panel Mounting Rails (NSAC2002) |
| Mounting Rail Connectors (NSACS2607) |

| Tools required (not provided) |
|--|
| Utility knife and T-square, or Mitre saw |
| Metal file for de-burring |
| T20 screw driver |

| Optional Parts |
|---------------------------------|
| Lighting Control Box (NSAC2122) |

2.4.1 Plan Motion Sensor Placement for Aisles 6.6 m or Greater

If the aisle length (L) is greater than 6.6 m, we recommend that you install one LED and one Lighting Control Box for every 3.3-m section of the aisle.



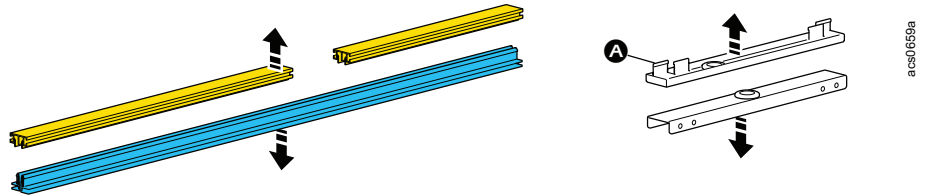
You can install the motion sensors (■) to the panel connectors to place them in the middle of the aisle. Install two panel connectors with motion sensor side-by-side at the end of each 3.3-m section. Arrange each motion sensor to face towards the center of a 3.3-m section.

See 2.10 Install Lighting, page 118 for more information about lighting configurations.

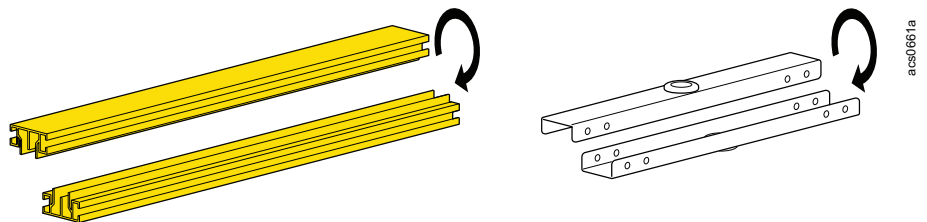
2.4.2 Prepare the Panel Connectors (NSAC2151/NSAC2152)

Prepare the Panel Connectors. (NSAC2151 or NSAC2152). If needed, cut the bottom of the Panel Connectors to fit the aisle length.

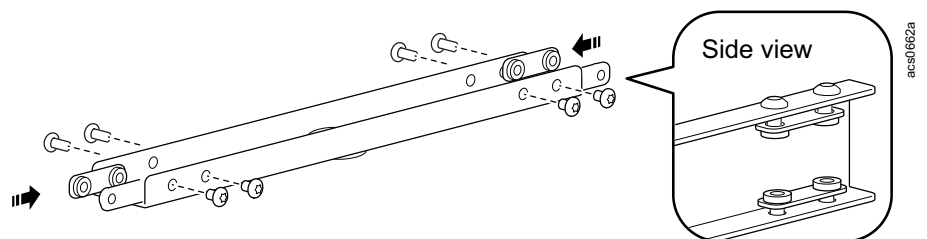
1. Separate the top and bottom rails. Separate the top and bottom connectors. The bottom connector **A** is only used to mount motion sensors.



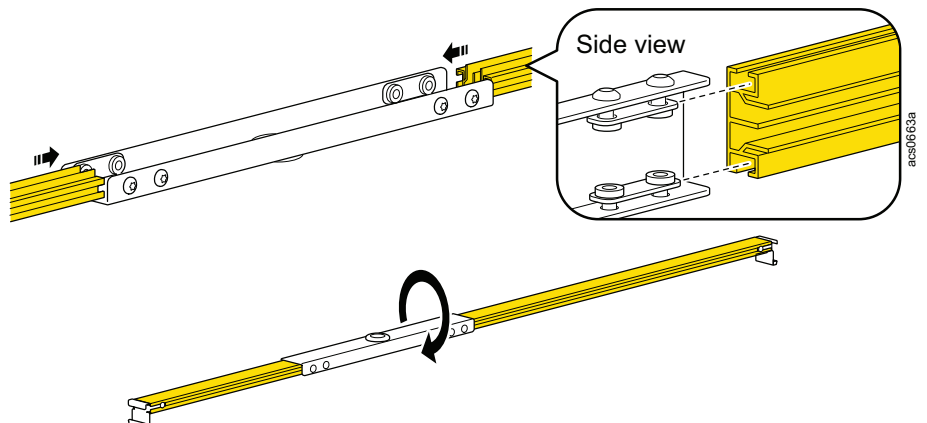
2. Turn the top rails and top connectors upside-down.



3. Install the connector brackets and cap screws to the top connector. Keep the screws loose.

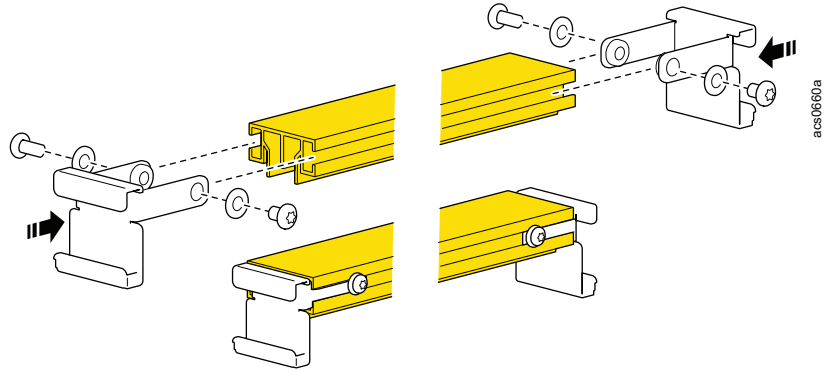


4. Slide two rails into each connector. The connector brackets engage with the sides of the rails.

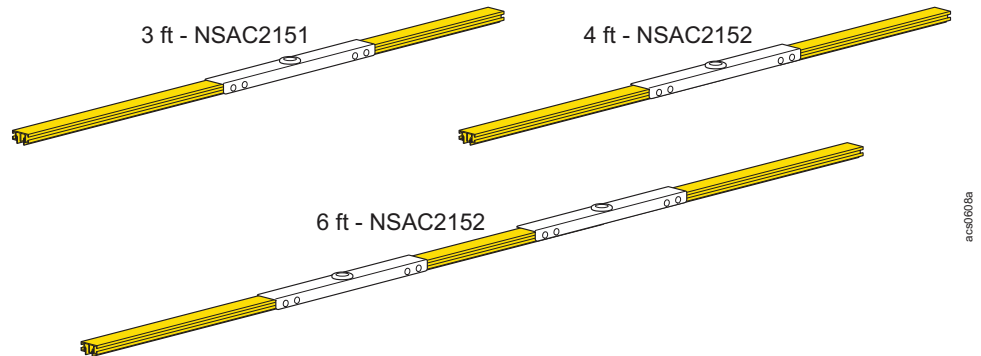


Tighten the screws to secure the rails.

- Slide the mounting brackets into the outer ends of each connected set of rails. Use the provided washers and screws to secure the mounting brackets.

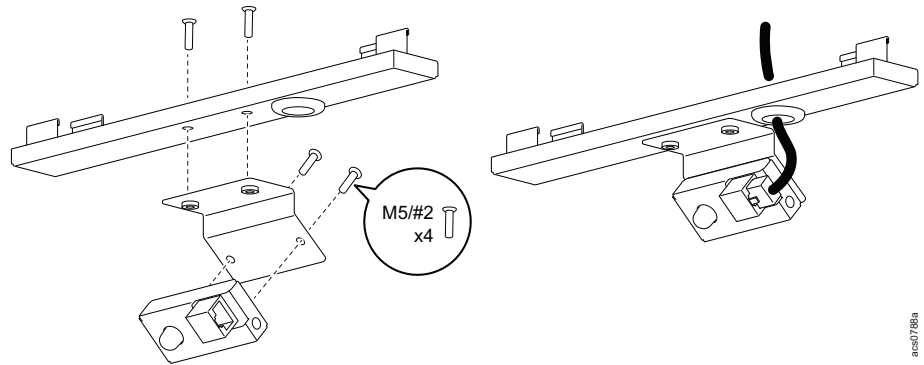


Arrangements for 3-ft, 4-ft, and 6-ft aisles:



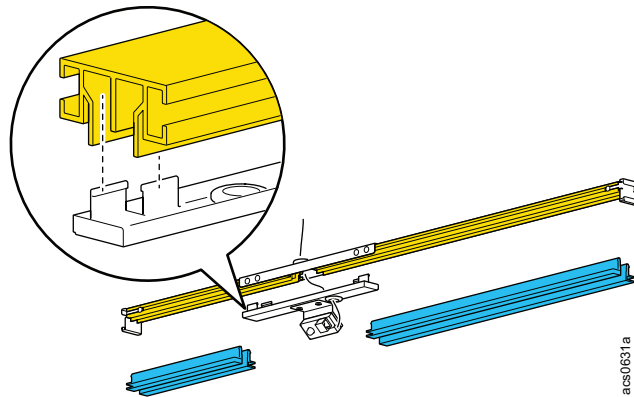
You have the option to install motion sensors from the Lighting Control Box (NSAC2122) at this point.

- The Lighting Control Box includes M5 phillips head screws, motion sensors, and motion sensor mounting brackets. Use two M5 phillips head screws (with a #2 driver) to secure the motion sensor to a mounting bracket. Use two more M5 phillips head screws to secure the mounting bracket to the optional bottom connector of the panel mounting rail.



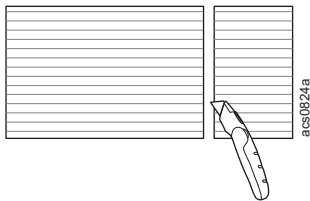
2. Mount the bottom connector beneath the top connector. Route the sensor wire through the openings in both connectors.

NOTE: You will need to cut the bottom ABS rails to fit around the bottom connector. If you do not install a motion sensor, there is no need to install the bottom connector.

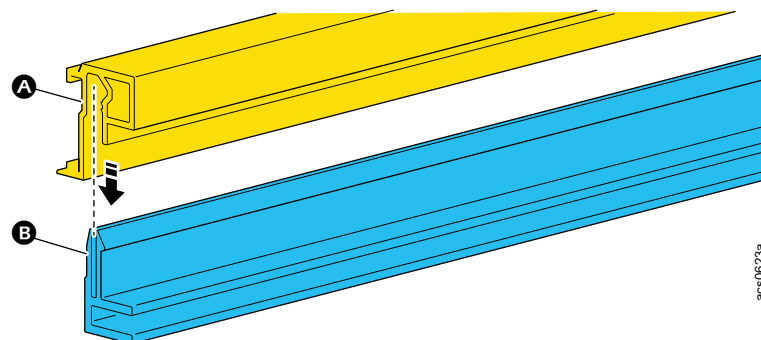


2.4.3 Install Panels to the Frame

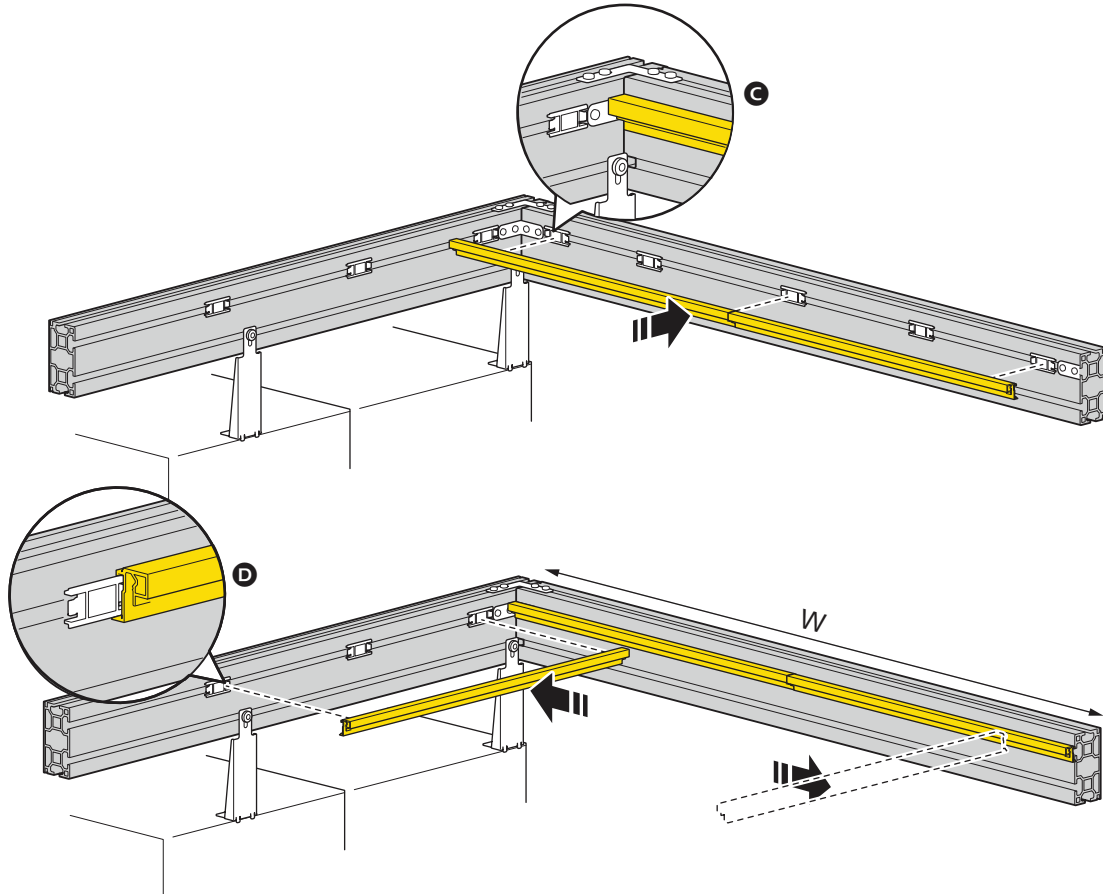
1. Gather the Multi Wall Panels needed for the horizontal roof. Cut each across the channels to match the width of the aisle. See the *Cutting and Measurement Guide* for cutting specifications.



2. Separate the mounting rails into two components: **A** and **B**.



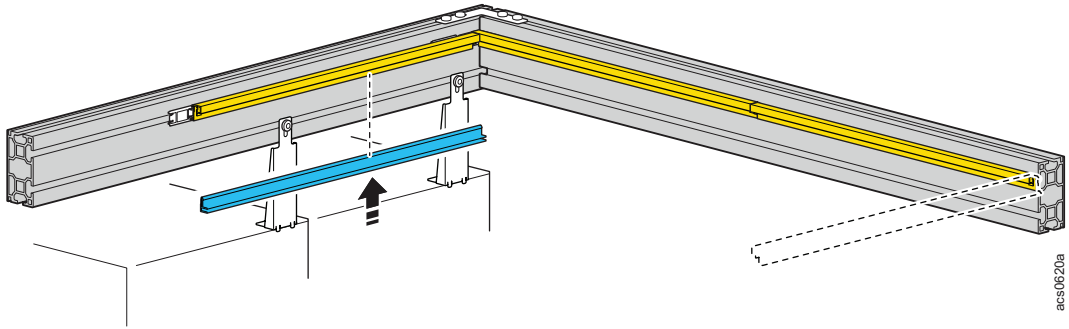
3. For the first panel only, install the Mounting Rail Connectors and part A of the mounting rails.
- The mounting rails along the aisle width (W) extend to the edges of the aisle. The mounting rails can cover the Interior Connectors.
 - There should be a Mounting Rail Connector at the seam of every two mounting rails, and in the center of each mounting rail.
 - At the corners, install the Mounting Rail Connectors next to the Interior Connectors (C).
 - At the outer edge of the panel, place the Mounting Rail Connector so that mounting rail will only be installed to the very edge of the connector (D).



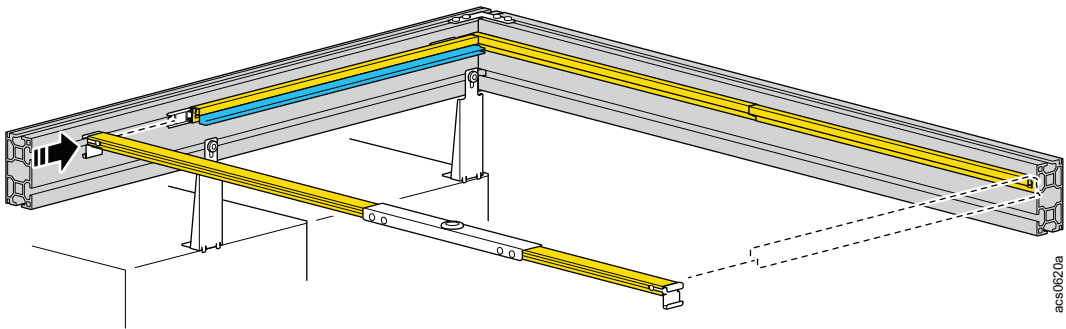
NOTE: One side of the aisle is hidden for clarity in the image above.

acs0608a

4. Install part B of ONE mounting rail along the length of the aisle.

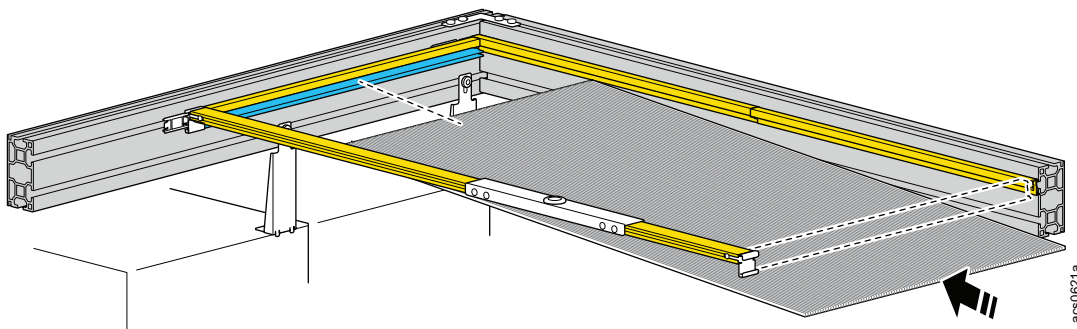


5. Slide the panel connector onto the rail connector. There should be enough space for a mounting rail to attach to the other side of the rail connector.

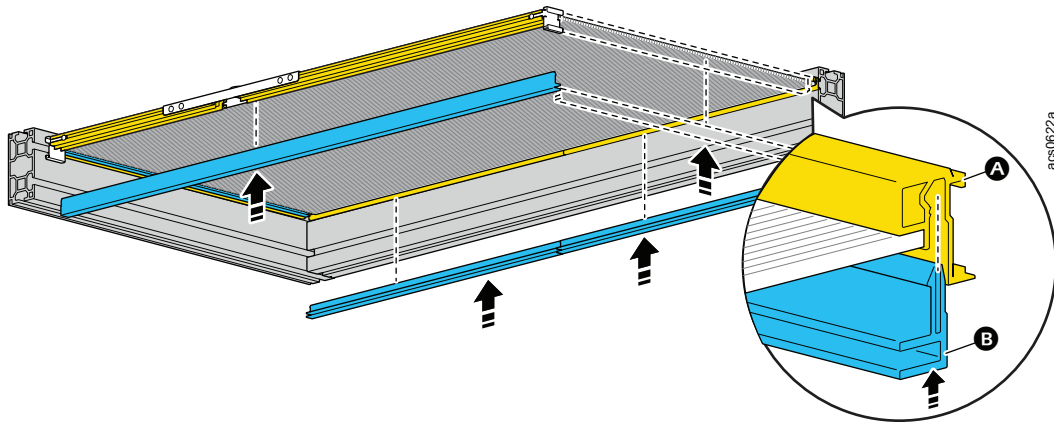


6. Snap a Multi Wall Panel into the mounting rail with part B installed.

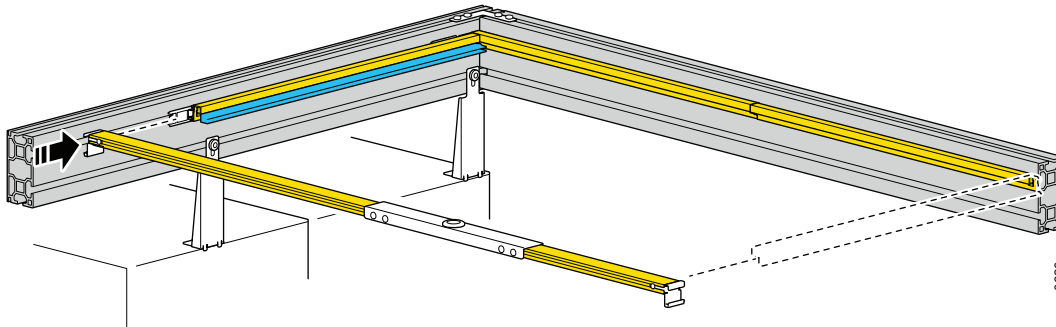
NOTE: The ribs of the Multi Wall Panel should be parallel to the aisle width.



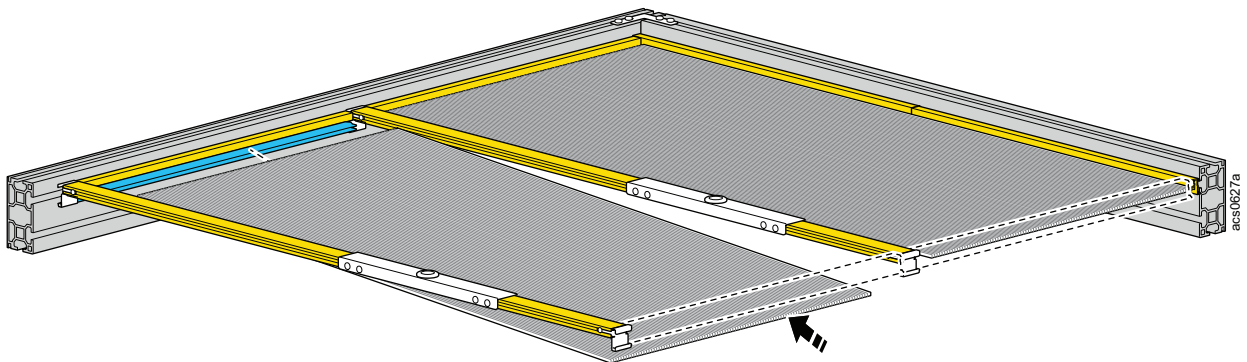
7. Press the Multi Wall Panel against the bottom of the remaining mounting rails, then install part B for the remaining mounting rails and the bottom part of the Panel Connector.



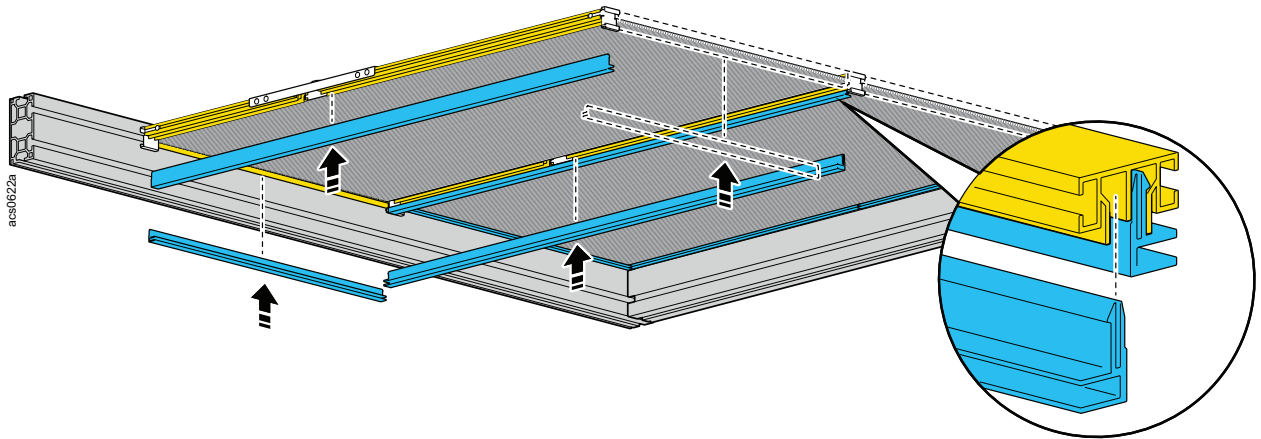
8. Prepare the space for the adjacent horizontal roof panel:
 - Install part **A** of one mounting rail to each side of the horizontal roof frame.
 - Install part **B** to one mounting rail.
 - Install a panel connector **C**.



9. Snap a Multi Wall Panel into the mounting rail with part B installed.

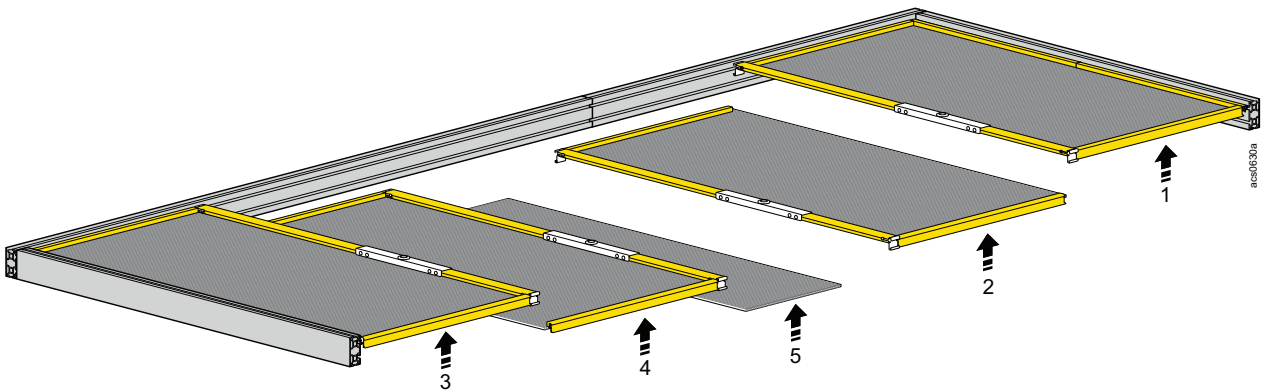


10. Press the Multi Wall Panel against the bottom of the remaining mounting rails, then install part B for the remaining mounting rails and the bottom part of the Panel Connector.



11. Repeat steps 2...10 at the other end of the aisle.

12. Continue installing panels from the ends of the aisles inward. Cut the last panel and mounting rails to fit the remaining space.



2.5 Install a Vertical Duct

What's in This Chapter

2.5.1 Basic Structure 62
 2.5.2 Install Panels 70
 2.5.3 Install Panel Connectors 71

To install a vertical duct, construct and mount a horizontal roof frame. Build the vertical duct on top of the mounted horizontal roof frame, then install the side panels.

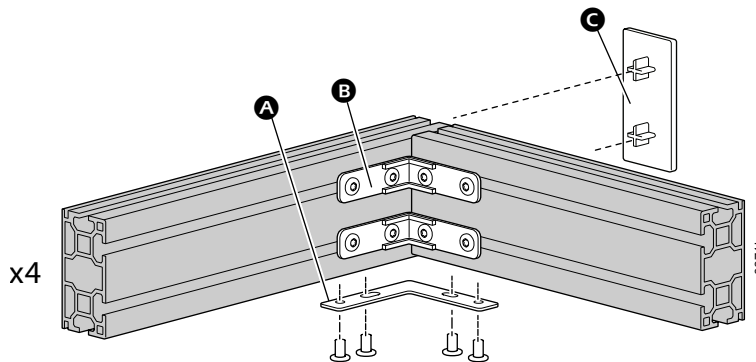
2.5.1 Basic Structure

Parts and tools

| Required parts |
|--|
| Frame Extrusions and End Covers (NSAC2001) |
| L Connectors (NSAC2601) |
| Interior Connectors (NSAC2603) |
| Straight Connectors (NSAC2608) |

| Tools required (not provided) |
|-------------------------------|
| Mitre saw |
| Metal file for de-burring |

The base of the vertical duct is a horizontal roof frame. At each corner, install one L Connector **A**, two interior brackets **B**, and one frame extrusion cover **C**.



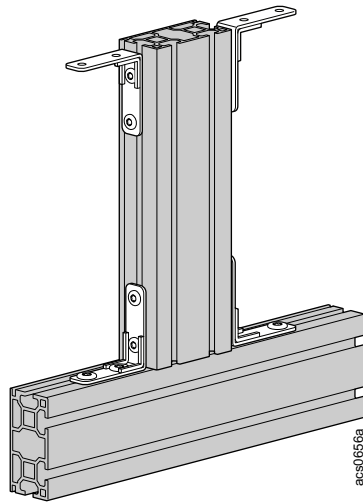
NOTE: If needed, you can remove one interior bracket from each corner to install a Cabinet Install Bracket in its place.

See 2.3 Install a Horizontal Roof Frame, page 40 for detailed mounting instructions.

Once the horizontal roof frame is mounted, build the vertical duct frame on top of the horizontal roof frame.

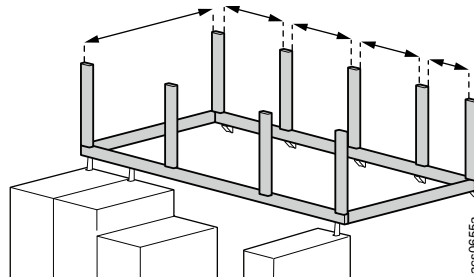
2.5.1.1 Rack-mounted Vertical Duct Installation

1. Place the vertical frame extrusions. Secure each vertical frame extrusion with four Interior Connectors.

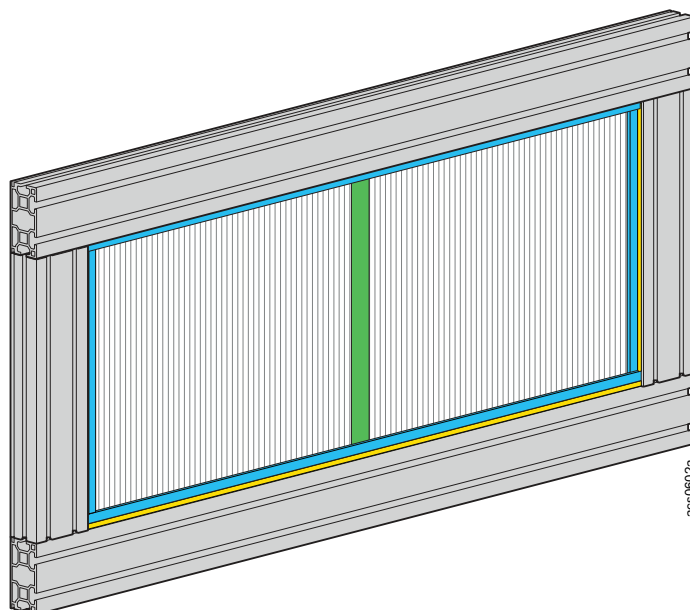


Place the frame extrusions 1,000...1,400 mm apart.

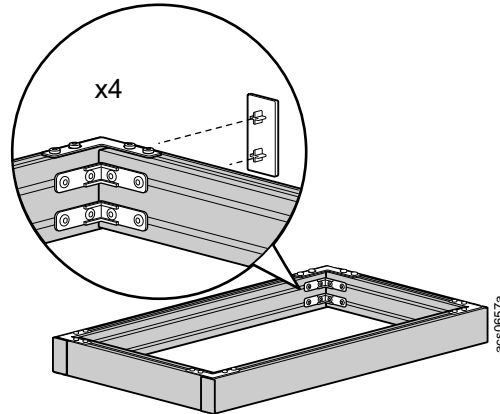
1,000 - 1,400 mm



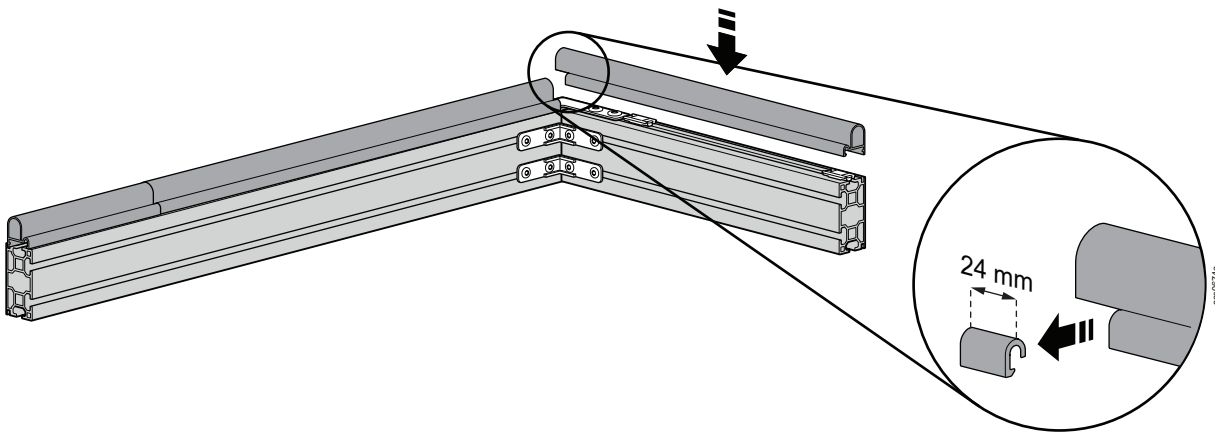
You can minimize the cuts needed by leaving 1,328 mm (52.2 in) of space between the vertical frame extrusions. This space fits two Multi Wall Panels (644 mm/25.3 in each) in the open space without cuts along the vertical length.



2. The top of the vertical duct is a horizontal roof frame with one L Connector, two Interior Connectors, and one frame extrusion cover at each corner.



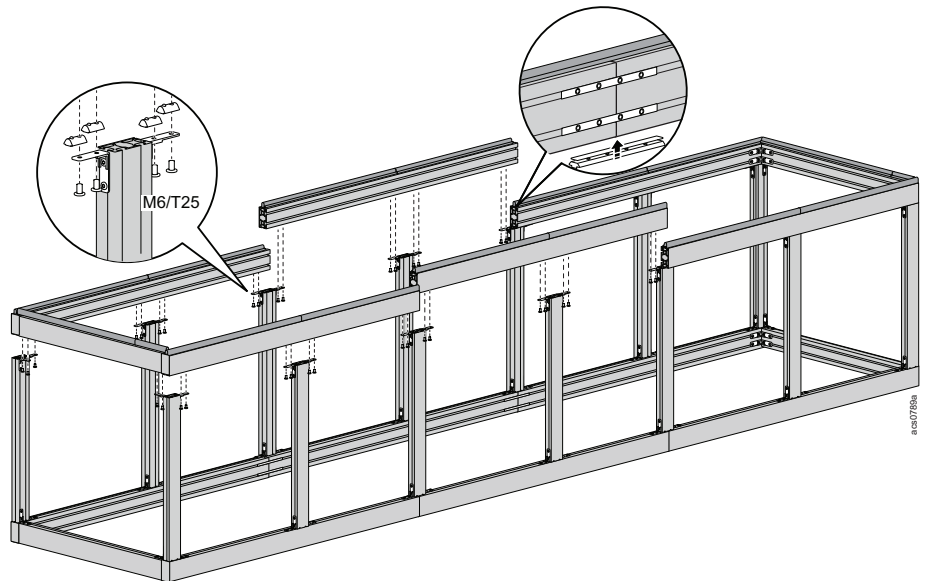
The top horizontal roof frame also has Seal Coextrusions (NSAC2006) installed to seal the vertical duct against the horizontal roof. At each corner where two Coextrusions meet, cut 24 mm (0.9 in) away from the short part of ONE Coextrusion. This allows the Coextrusions to fit together.



Assemble the corners of the horizontal roof frame on the floor. Install the Seal Coextrusions to the Frame Extrusions.

- Use the Interior Connectors to secure the corner pieces to the vertical frame extrusions. Then continue installing and securing the middle pieces, one at a time. Use straight connectors to secure the frame extrusions to each other as you install each piece.

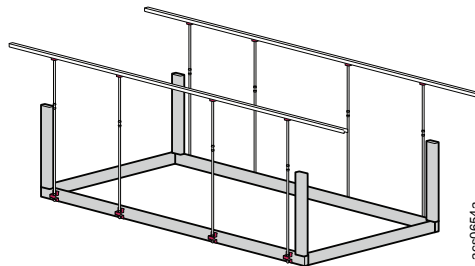
NOTE: Install at least two straight connectors to connect each set of frame extrusions. Where possible, use more.



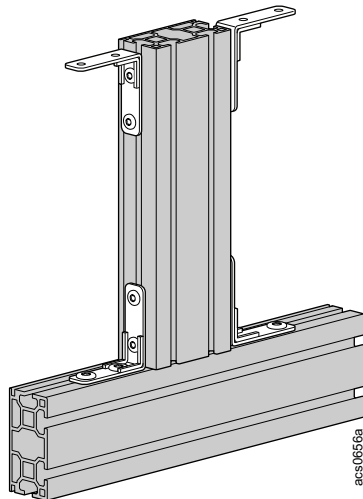
If needed, use your hands to compress the Seal Coextrusions while placing the frame extrusions. Then release the seals once the horizontal roof frame is in place.

2.5.1.2 Hanging Vertical Duct Installation

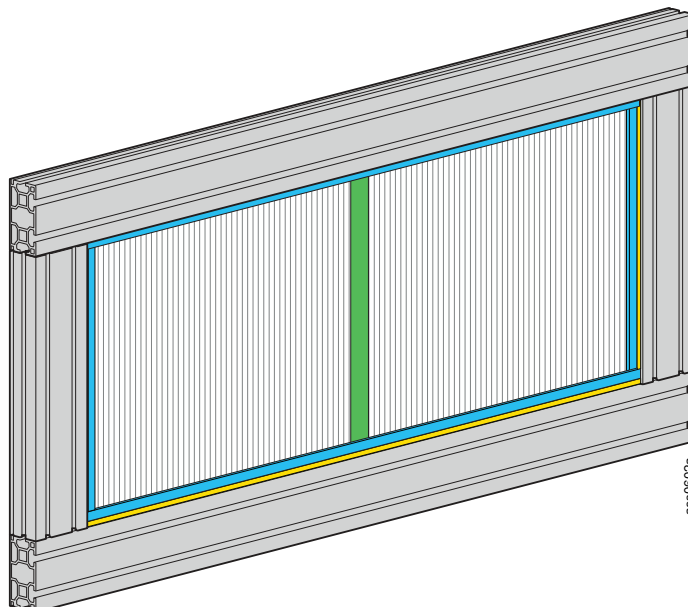
1. At minimum, install four vertical frame pieces (one at each corner).



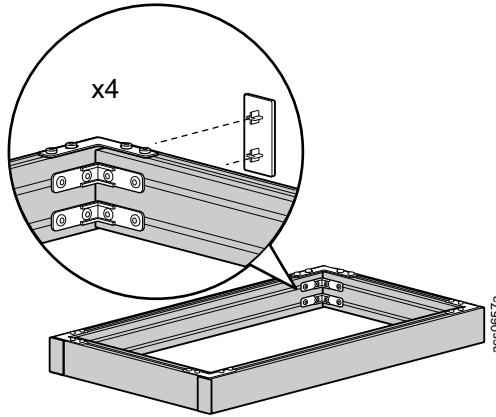
Secure each vertical frame extrusion with four Interior Connectors.



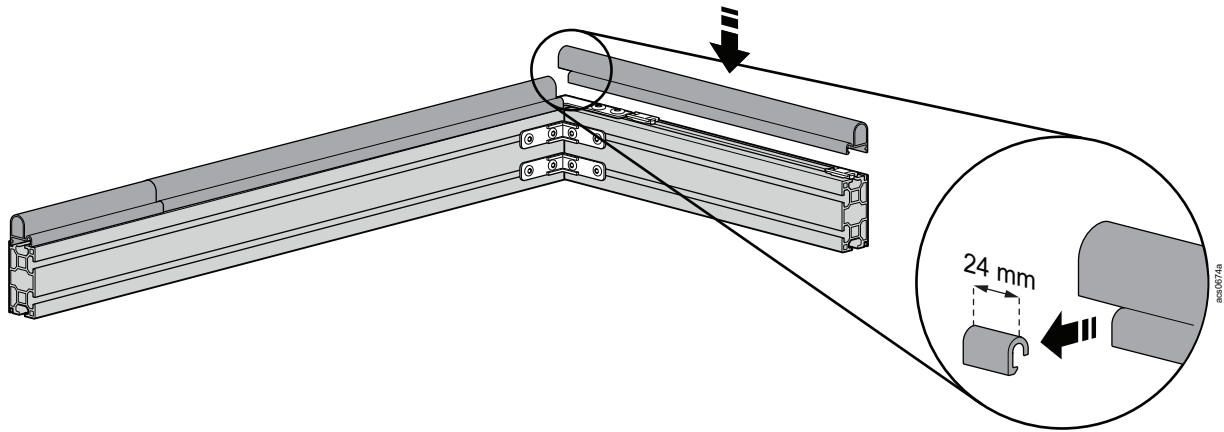
If you choose to install more than four vertical frame extrusions, you can minimize the cuts needed by leaving 1,328 mm (52.2 in) of space between the vertical frame extrusions. This space fits two Multi Wall Panels (644 mm/ 25.3 in each) in the open space without cuts along the vertical length.



- 2. The top of the vertical duct is a horizontal roof frame with one L Connector, two Interior Connectors, and one frame extrusion cover at each corner.

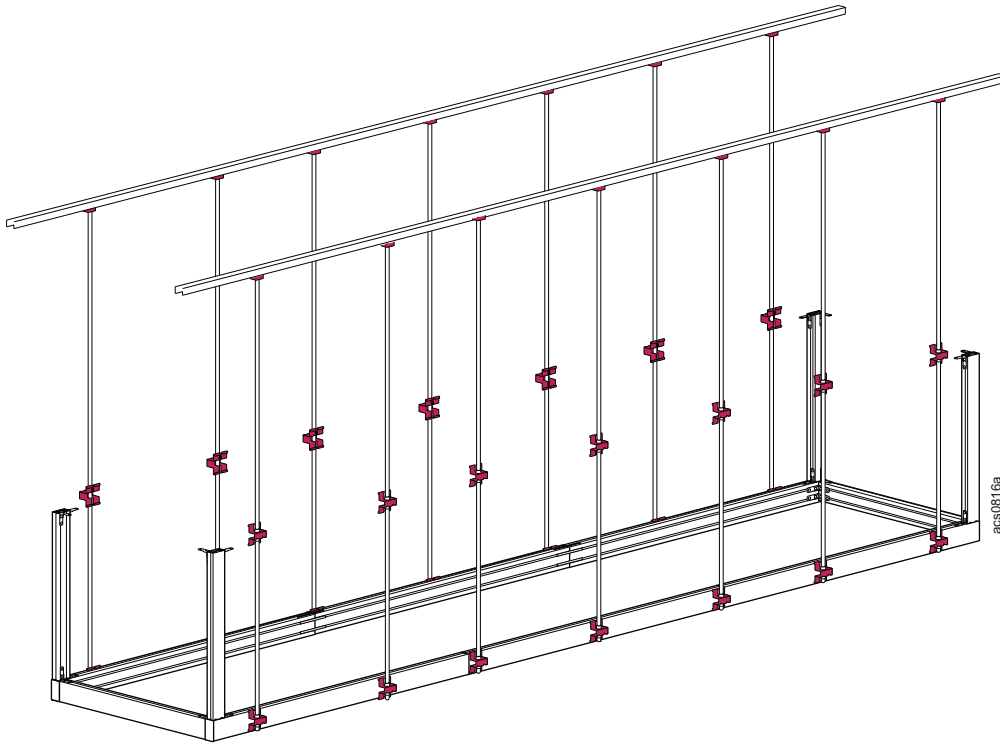


The top horizontal roof frame also has Seal Coextrusions (NSAC2006) installed to seal the vertical duct against the ceiling. At each corner where two Coextrusions meet, cut 24 mm (0.9 in) away from the short part of ONE Coextrusion. This allows the Coextrusions to fit together.

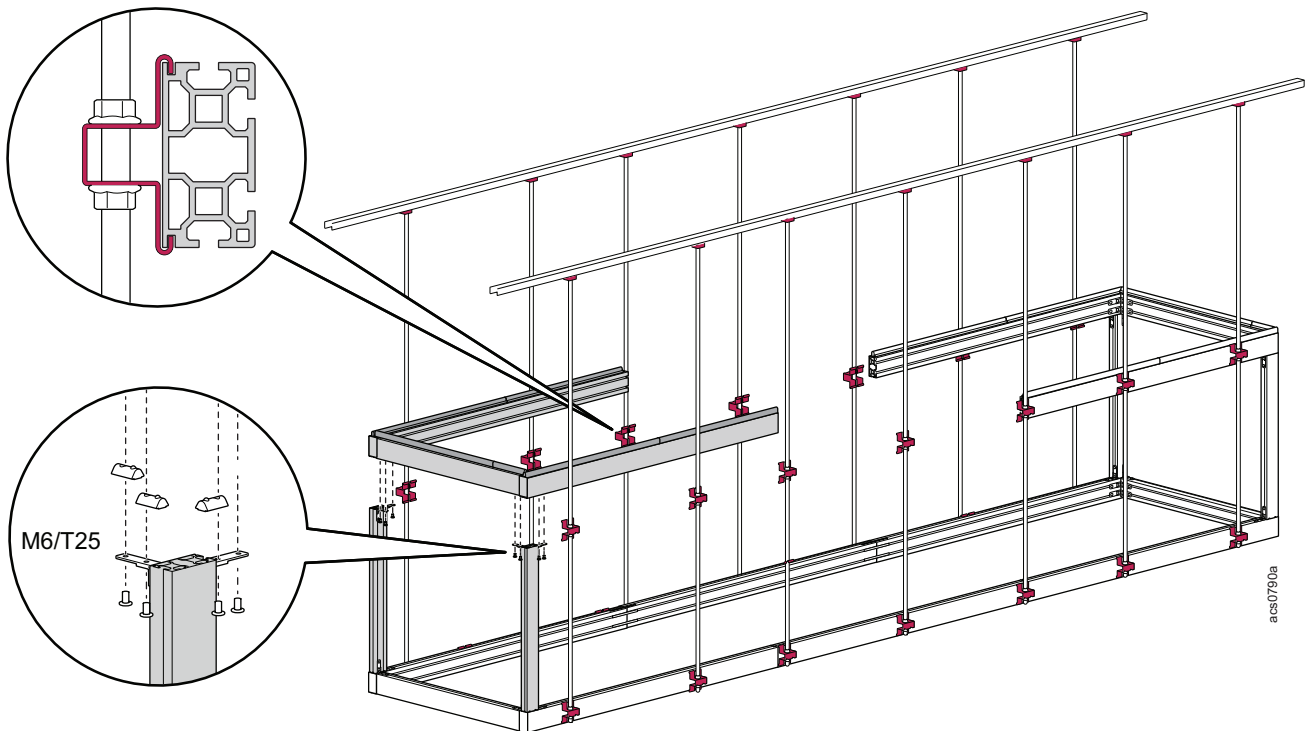


Assemble the corners of the horizontal roof frame on the floor. Install the Seal Coextrusions to the Frame Extrusions.

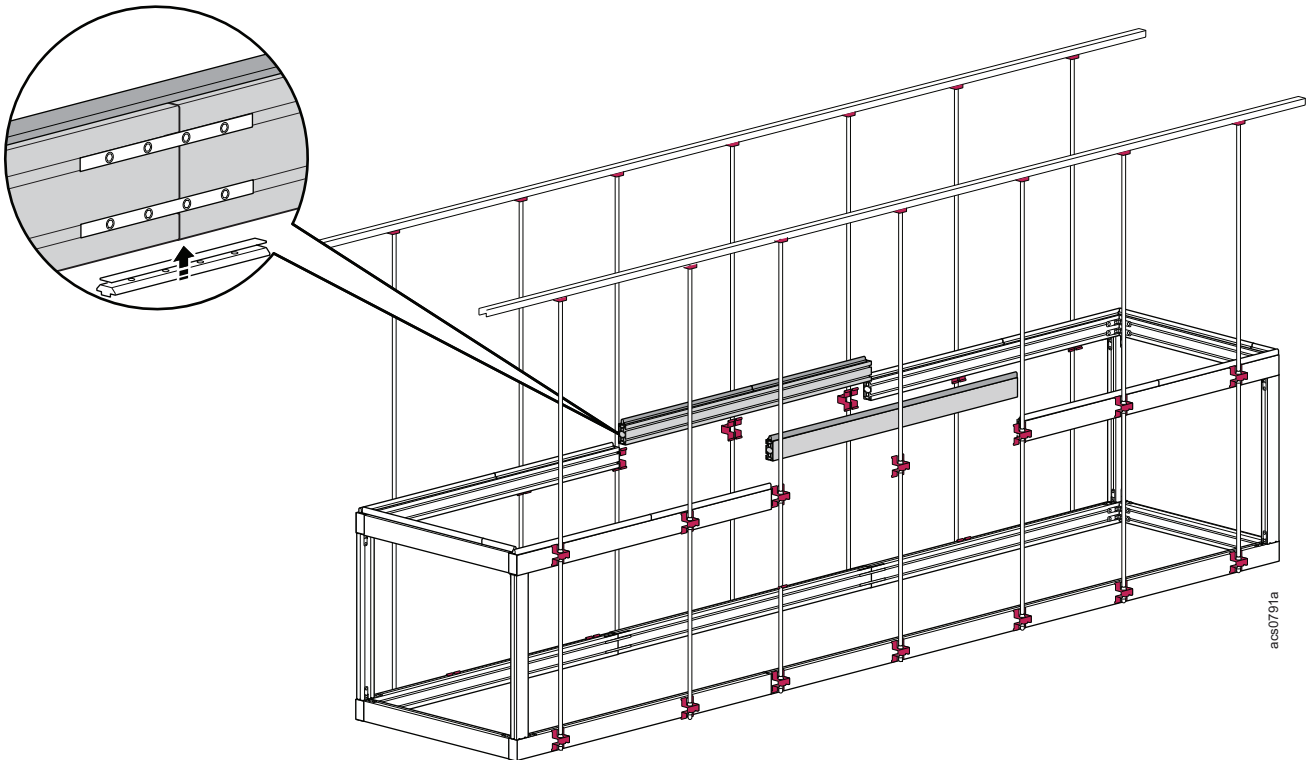
3. Install the top mounting brackets at the required height.



4. Use the Interior Connectors to secure the corner pieces to the vertical frame extrusions. Snap the corner pieces into the upper mounting brackets.

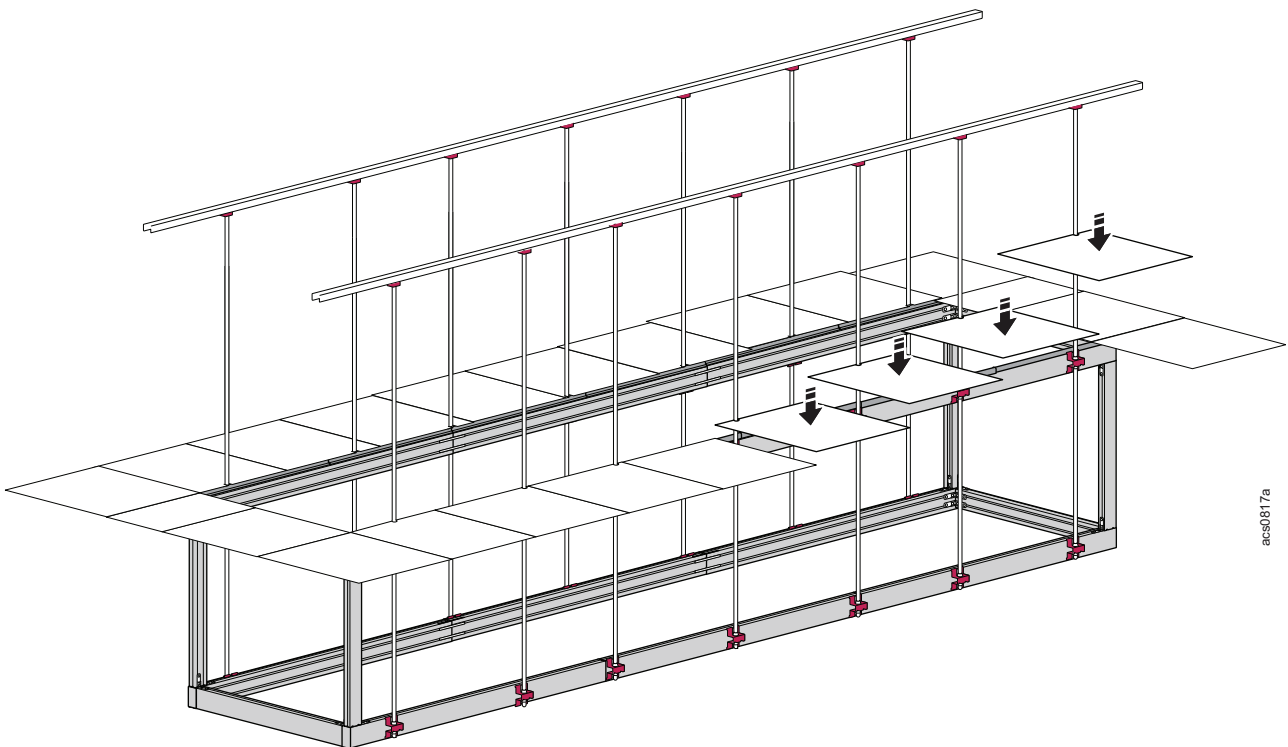


5. Continue to install the remaining frame extrusions in the same way. Use the straight connectors to secure the frame extrusions to each other.



NOTE: Install three straight connectors where possible. If one side of the frame extrusion is blocked, install a minimum of two straight connectors.

6. Re-install the ceiling tiles at the top of the vertical duct. The ceiling tiles should rest against the Seal Coextrusion to seal the duct. Cut the tiles as needed to fit the support rods.



2.5.2 Install Panels

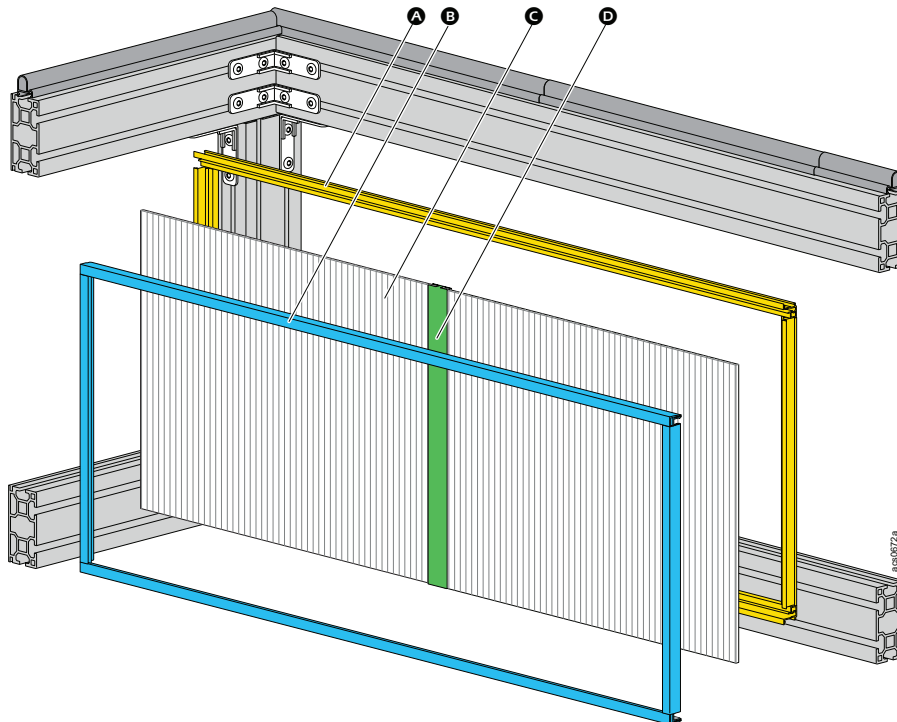
Parts and tools

| Required parts |
|--|
| Multi Wall Panels (NSAC2101 or NSAC2102) |
| Plastic Panel Connectors (NSAC2153) |
| Panel Mounting Rails (NSAC2002) |
| Mounting Rail Connectors (NSACS2607) |

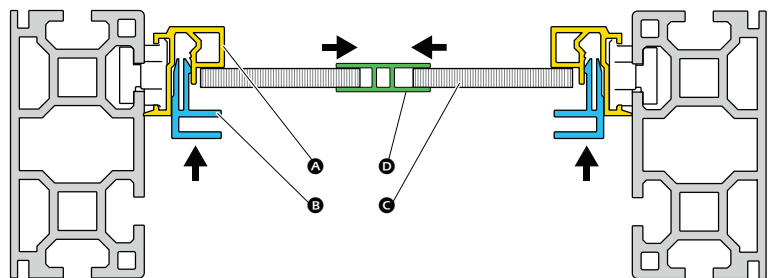
| Tools required (not provided) |
|--|
| Utility knife and T-square, or Mitre saw |
| Metal file for de-burring |

1. Install part **A** of the Panel Mounting Rails.
2. Place the cut pieces of Multi Wall Panel **C** against the inner ledge of the Panel Mounting Rails.
3. Insert part **B** of the Panel Mounting Rails to secure the Multi Wall Panels.

If frame holds two or more pieces of Multi Wall Panel, join the pieces with a Plastic Panel Connector **D**.



Cutaway view:



2.5.3 Install Panel Connectors

Parts and tools

| Required parts |
|---|
| Panel Connectors (NSAC2151 or NSAC2152) |

| Tools required (not provided) |
|-------------------------------------|
| Optional: Mitre saw |
| Optional: Metal file for de-burring |

NOTE: You only need a mitre saw and metal file to cut the bottom ABS rails when installing motion sensors.

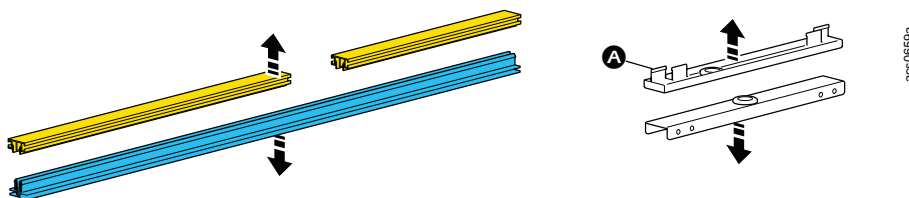
Install Panel Connectors (NSAC2151 or NSAC2152) across the width of the aisle, about every 1,000...1,400 mm (39.3 in...55.1 in).

Rack-mounted vertical ducts: Panel Connectors are only required along the top horizontal roof frame.

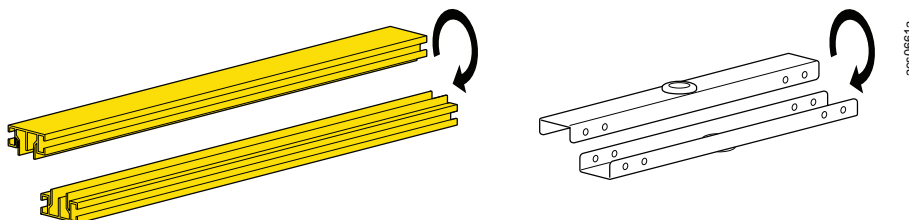
Hanging vertical ducts: Panel Connectors are required along the top and bottom horizontal roof frames.

How to prepare the Panel Connectors:

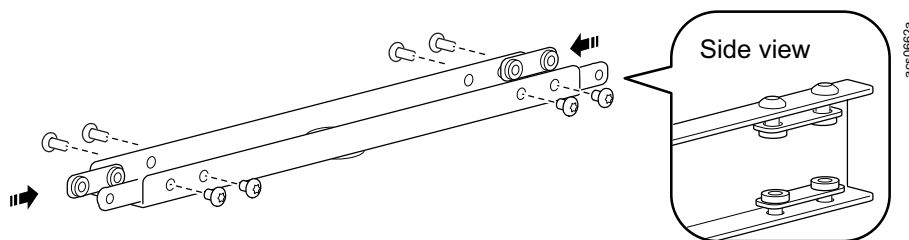
1. Separate the top and bottom rails. Separate the top and bottom connectors. The bottom connector **A** is only used to mount motion sensors.



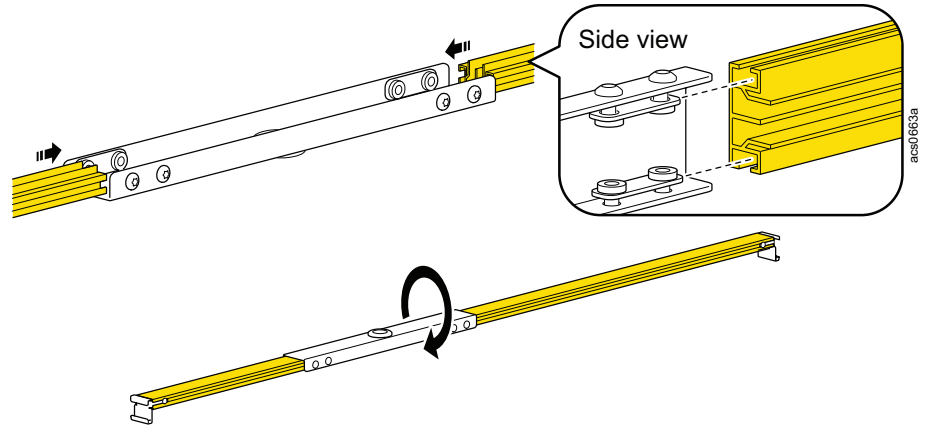
2. Turn the top rails and top connectors upside-down.



3. Install the connector brackets and cap screws to the top connector. Keep the screws loose.

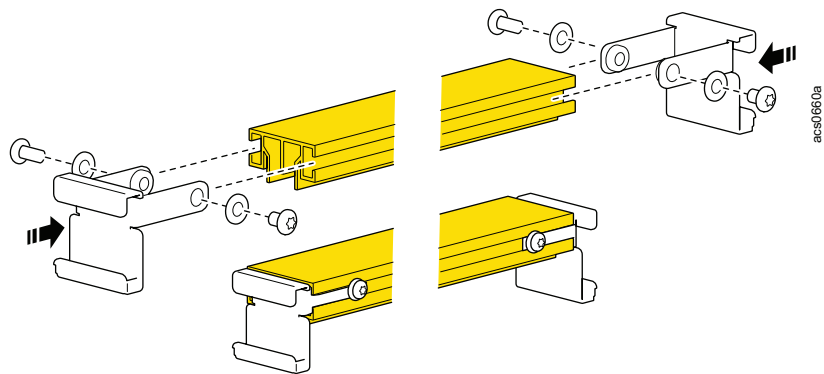


- Slide two rails into each connector. The connector brackets engage with the sides of the rails.

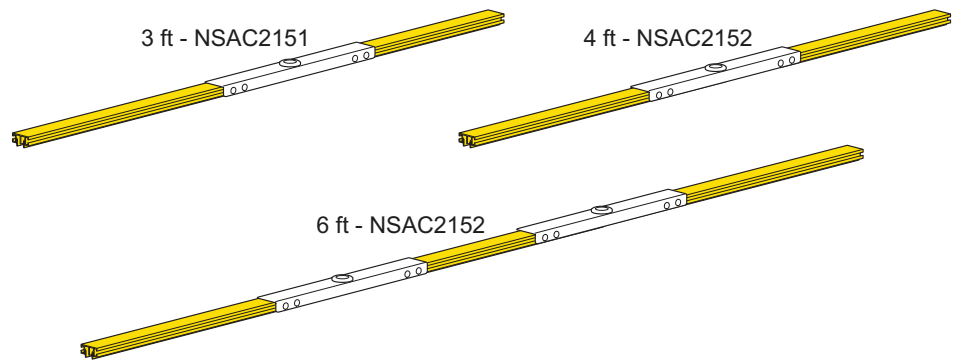


Tighten the screws to secure the rails.

- Slide the mounting brackets into the outer ends of each connected set of rails. Use the provided washers and screws to secure the mounting brackets.

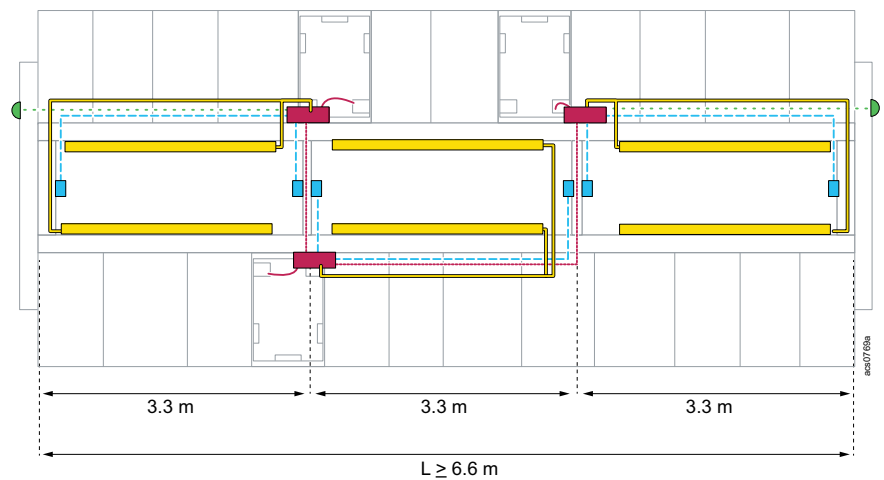


Arrangements for 3-ft, 4-ft, and 6-ft aisles:



Optional Installation of Motion Sensors:

If the aisle length (L) is greater than 6.6 m, we recommend that you install one LED and one Lighting Control Box for every 3.3-m section of the aisle.

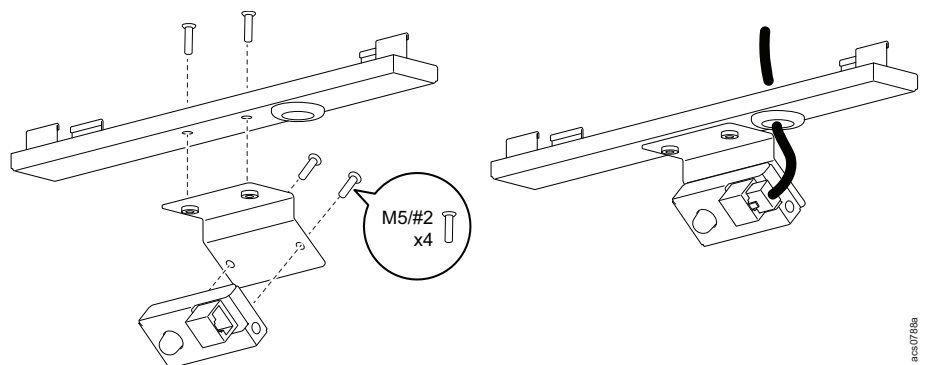


You can install the motion sensors (■) to the panel connectors to place them in the middle of the aisle. Install two panel connectors with motion sensor side-by-side at the end of each 3.3-m section. Arrange each motion sensor to face towards the center of a 3.3-m section.

See 2.10 Install Lighting, page 118 for more information about lighting configurations.

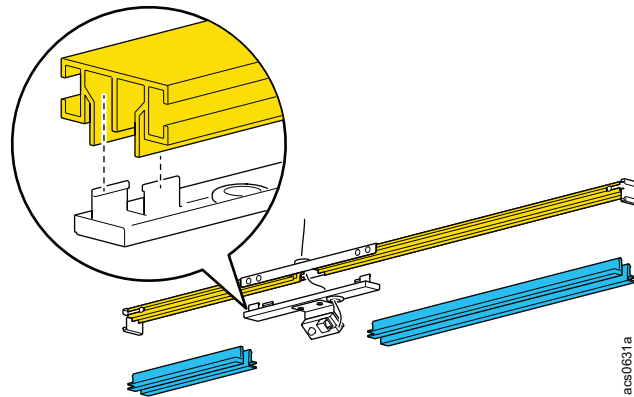
You have the option to install motion sensors from the Lighting Control Box (NSAC2122) at this point.

1. The Lighting Control Box includes M5 phillips head screws, motion sensors, and motion sensor mounting brackets. Use two M5 phillips head screws (with a #2 driver) to secure the motion sensor to a mounting bracket. Use two more M5 phillips head screws to secure the mounting bracket to the optional bottom connector of the panel mounting rail.



2. Mount the bottom connector beneath the top connector. Route the sensor wire through the openings in both connectors.

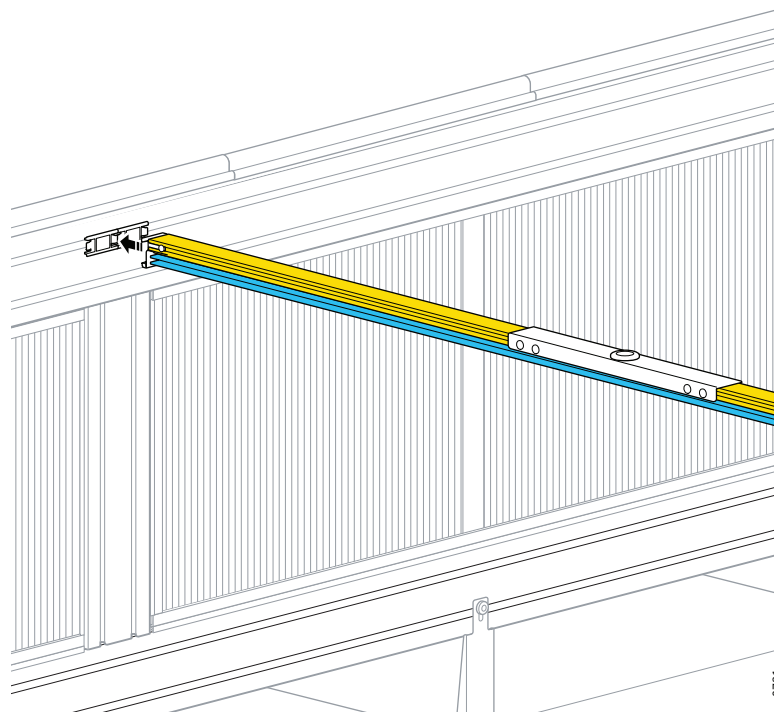
NOTE: You will need to cut the bottom ABS rails to fit around the bottom connector. If you do not install a motion sensor, there is no need to install the bottom connector.



acs0631a

Installation to the Vertical Duct:

1. Cut the bottom part of the Panel Connectors to fit the aisle length or the bottom connector as needed. Insert the bottom parts of the panel connector to the assembled panel connector.
2. Use four Mounting Rail Connectors (NSAC2607) (two at each side) to mount each panel connector to the vertical duct. Install the panel connectors every 1,000...1,400 mm (39.3...55.1 in).



acs0781a

2.6 Install Blanking Panels

What's in This Chapter

2.6.1 Construct the Frame..... 75
 2.6.2 Install Panels 78
 2.6.3 Special Instructions for Blanking Panels 3...6U (133...266 mm)..... 79

NOTE: If the space for the blanking panel is 3...6U, ignore the first two sections and follow the special instructions for blanking panels 3...6U.

NOTE: Do not create blanking panels for spaces shorter than 3U. Install a Cabinet Seal Coextrusion (NSAC2003) instead.

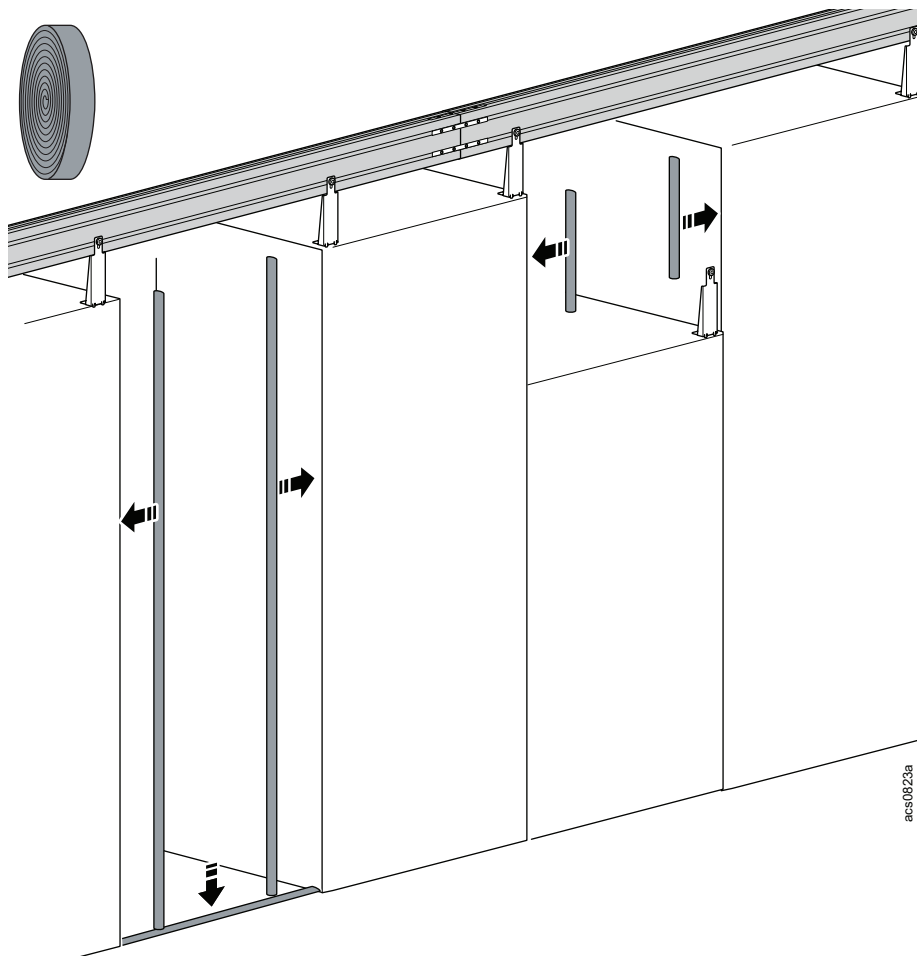
2.6.1 Construct the Frame

Parts and tools

| Required parts |
|--|
| NetShelter Pod Containment Air Sealing Kit (FS-AC-1001-U) |
| Frame Extrusions and End Covers (NSAC2001) |
| Interior Connectors (NSAC2603) |
| Cabinet Install Brackets (NSAC2604), required for rack-mounted configurations |
| Right Angle Connectors (NSAC2606), required for blanking panels that reach the floor |

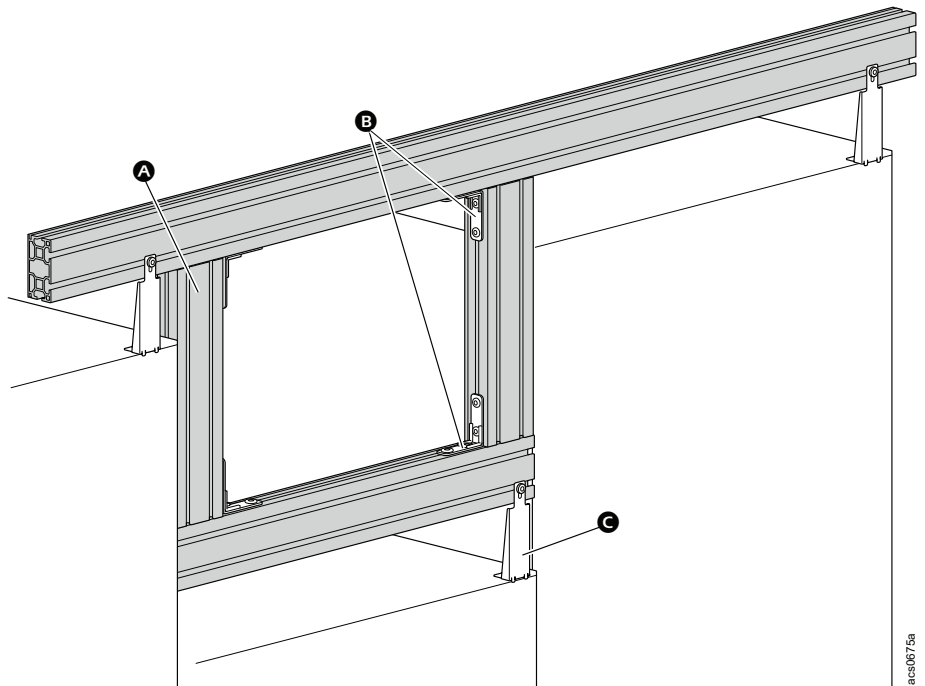
| Tools required (not provided) |
|--|
| Scissors |
| Mitre saw |
| Metal file for de-burring |
| T30 screw driver |
| M5/M6 Expansion bolts appropriate for your floor material, required for blanking panels that reach the floor |
| M12 Nuts and Washers, required for blanking panels that reach the floor |

1. Install air seals where the blanking panels will make contact with the racks or the floor.

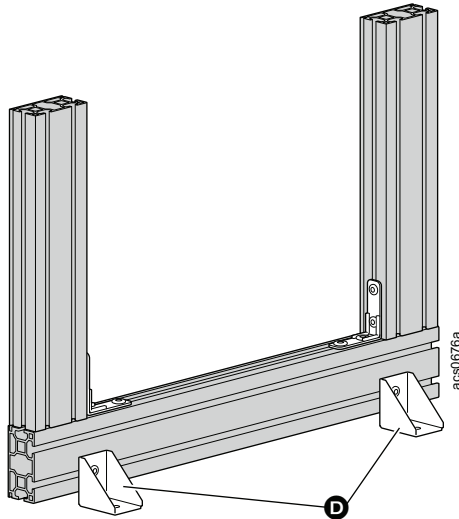


- Construct the frame of each blanking panel from three frame extrusions **A** and four interior brackets **B**.

For rack-mounted configurations: If the blanking panel extends to the top of your equipment, secure the bottom with at least one Cabinet Install Bracket **C**.



For all configurations: If the blanking panel extends to the ground, secure it to the ground with at least one right angle bracket **D** and M5/M6 expansion bolts (not provided) appropriate for your floor type.



2.6.2 Install Panels

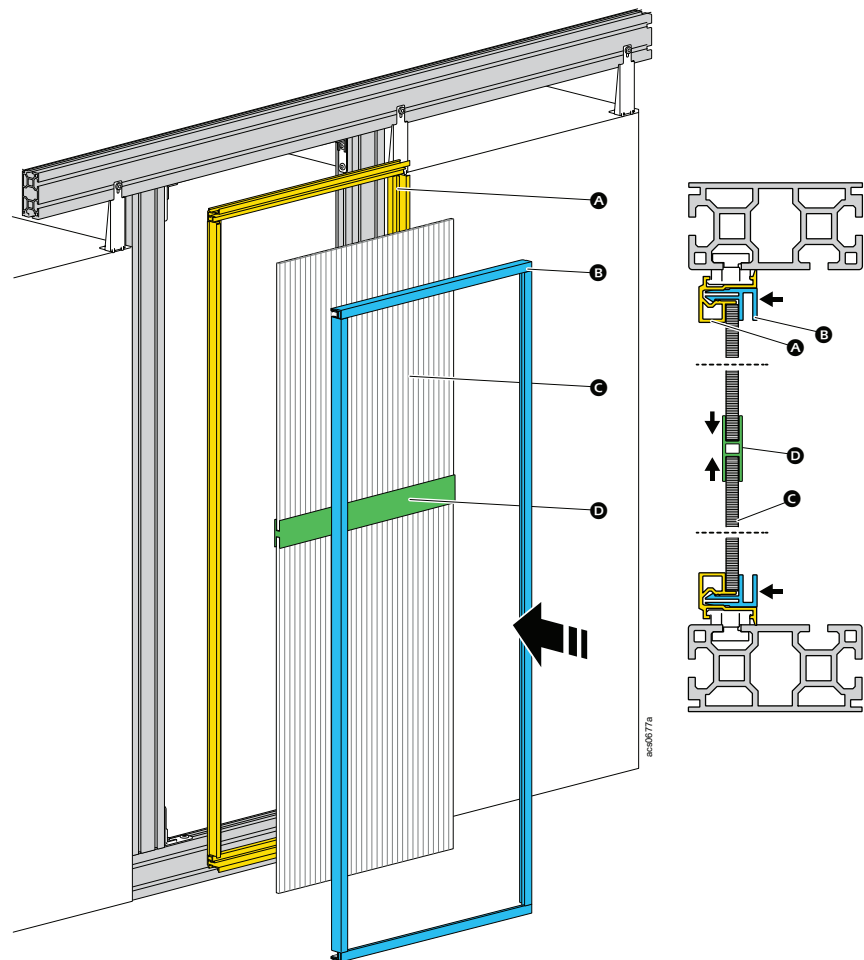
Parts and tools

| Required parts |
|--|
| Multi Wall Panels (NSAC2101 or NSAC2102) |
| Plastic Panel Connectors (NSAC2153) |
| Panel Mounting Rails (NSAC2002) |
| Mounting Rail Connectors (NSACS2607) |

| Tools required (not provided) |
|--|
| Utility knife and T-square, or Mitre saw |
| Metal file for de-burring |

1. Install part **A** of the Panel Mounting Rails.
2. Place the cut Multi Wall Panel **C** against the inner ledges of the Panel Mounting Rails.
3. Insert part **B** of the Panel Mounting Rails to secure the Multi Wall Panel.

If the blanking panel holds more than two pieces of Multi Wall Panel, join the pieces with a Plastic Panel Connector **D**.



2.6.3 Special Instructions for Blanking Panels 3...6U (133...266 mm)

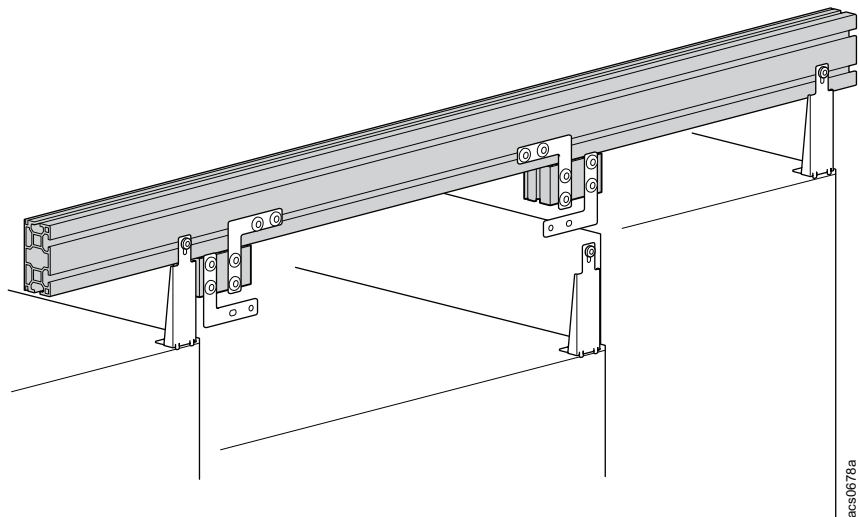
Parts and tools

| Required parts |
|--|
| Frame Extrusions and End Covers (NSAC2001) |
| L Connectors (NSAC2601) |
| Multi Wall Panels (NSAC2101 or NSAC2102) |
| Panel Mounting Rails (NSAC2002) |
| Mounting Rail Connectors (NSACS2607) |

| Tools required (not provided) |
|-------------------------------|
| Mitre saw |
| Metal file for de-burring |
| Utility knife and T-square, |

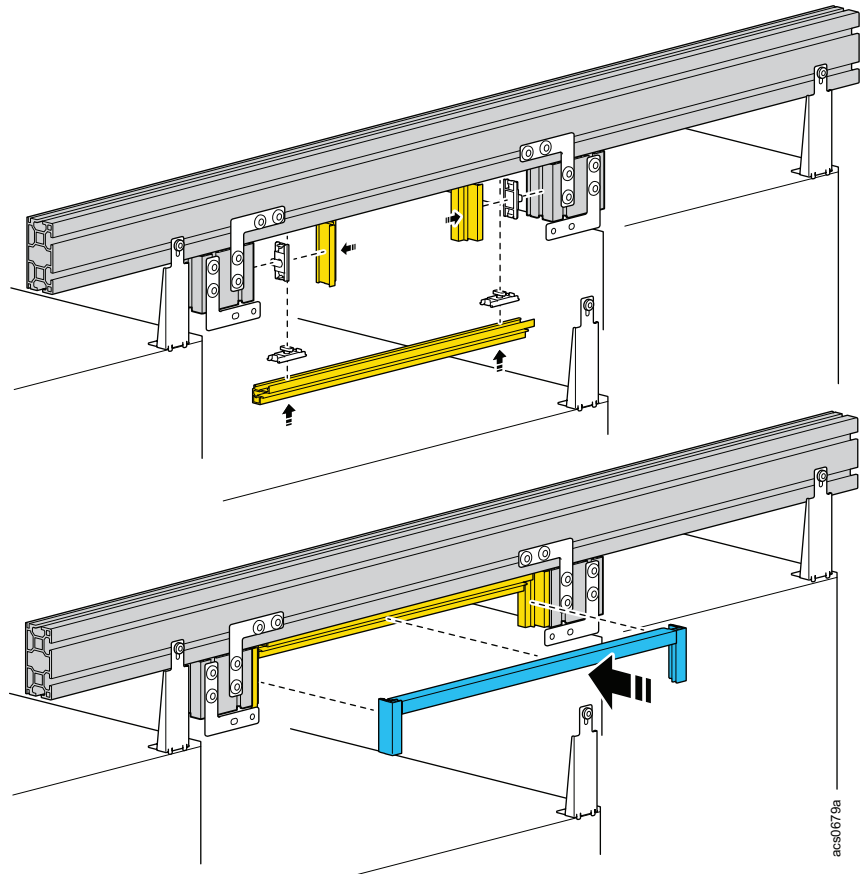
1. Install the sides of the blanking panel to the horizontal roof frame with four L Connectors. Two L Connectors secure the sides of the blanking panel to the horizontal roof frame. Two will secure the bottom of the blanking panel to the sides.

Do not install the bottom of the blanking panel at this time. Do not use any interior brackets.

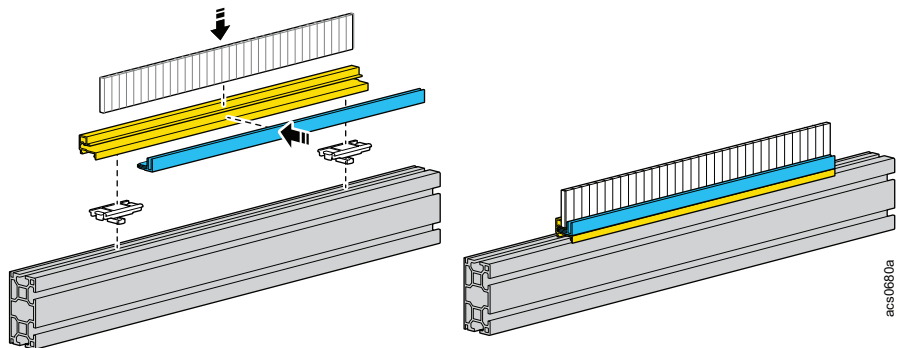


acs0678a

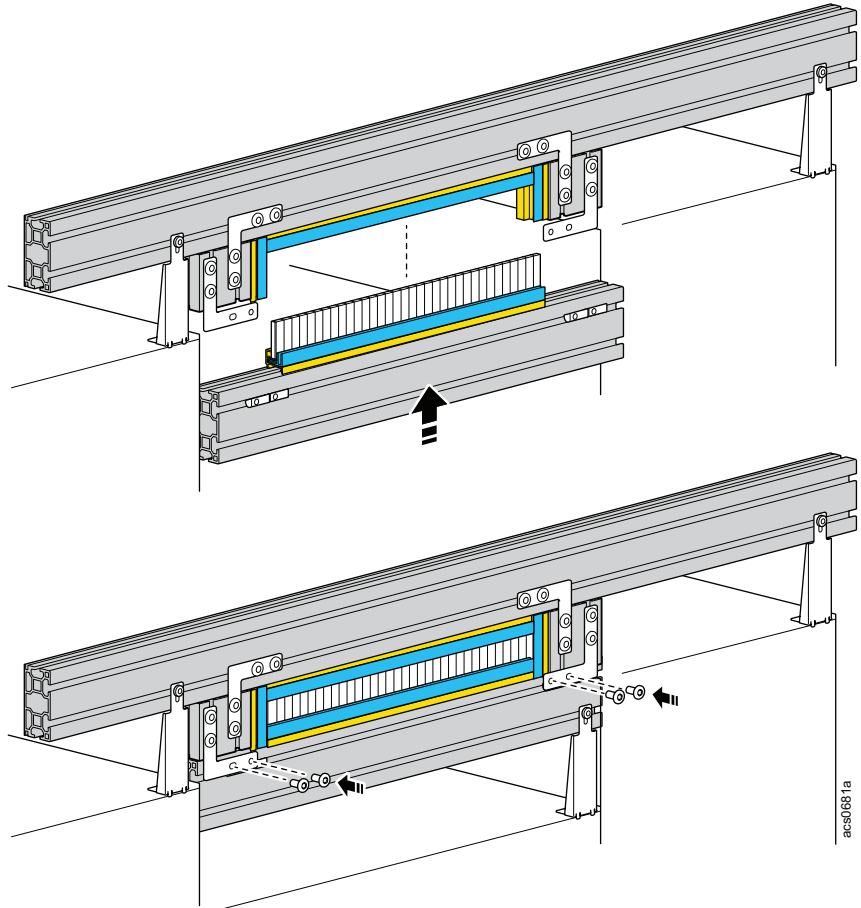
2. Install Panel Mounting Rails to the top and sides of the blanking panel.



3. Install the Panel Mounting Rails and Multi Wall Panel to the bottom part of the blanking panel.



4. Insert the bottom of the blanking panel into the top. Secure the L Connectors to the bottom of the blanking panel.



acs0881a

2.7 Install Cabinet Seals

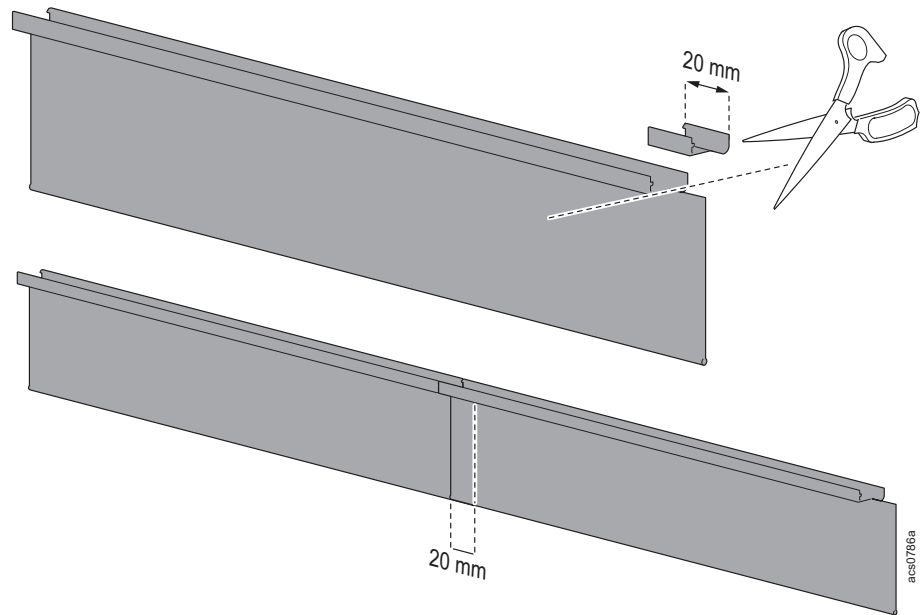
Parts and tools

| Required parts |
|--------------------------------------|
| Cabinet Seals (NSAC2003) |
| Mounting Rail Connectors (NSACS2607) |

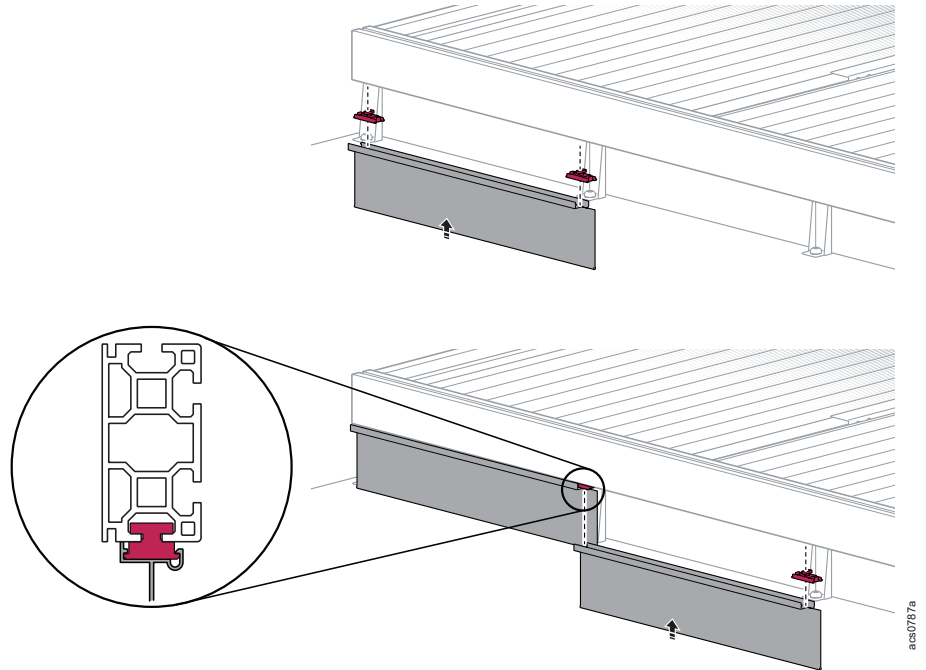
| Tools required (not provided) |
|-------------------------------|
| Scissors |

1. Use scissors to cut away 20 mm (0.8 in) of the stiff part of the cabinet seals. A 20-mm (0.8-in) flap remains. Once installed, the flap will overlap with the next seal to reduce the risk of air leaks.

NOTE: Leave one seal without a flap for each aisle row. The seal without a flap goes at the end of the row.



2. Use the Mounting Rail Connectors to secure the Cabinet seals to the bottom of the frame extrusion.
 - Place Mounting Rail Connectors at the end of each seal, and at the seam of each seal.
 - Use the seals to cover all the open space between the frames, the blanking panels, and the racks.
 - To reduce the risk of air leaks, ensure that the stiff parts of the seals press together, and that the 20-mm flaps overlap.



2.8 Install a Dual Sliding Door

What's in This Chapter

2.8.1 NSAC2401 Inventory..... 85
 2.8.2 Assemble the Door Frame 86
 2.8.3: Install the Hanging Case 91
 2.8.4 Assemble and Mount the Doors 92
 2.8.5 Finish the Installation..... 95

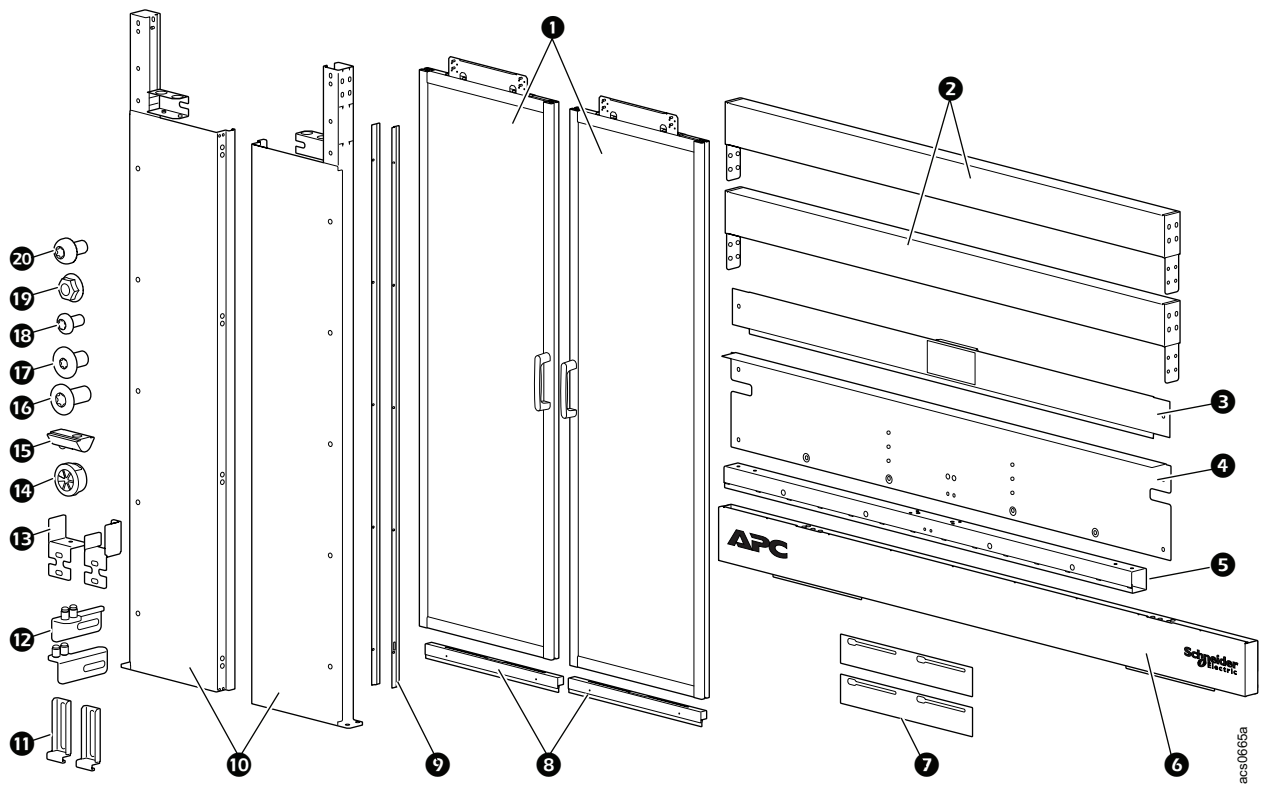
Parts and tools

| Required parts |
|---|
| Dual Sliding Door (NSAC2401) |
| NetShelter Pod Containment Air Sealing Kit (FS-AC-1001-U) |

| Tools required (not provided) |
|--|
| Torque screwdriver: T30, T25, T20 |
| Pencil, chalk line, or other marking tool |
| Tape measure |
| M12 Expansion bolts appropriate for your floor material (8 per door) |
| M12 Wrench |
| Drill and M12 drill bits appropriate for your floor material |
| 10-mm hex wrench |
| Shims |
| Flat head screwdriver |

NOTE: The Dual Sliding Door is compatible with all three aisle widths.

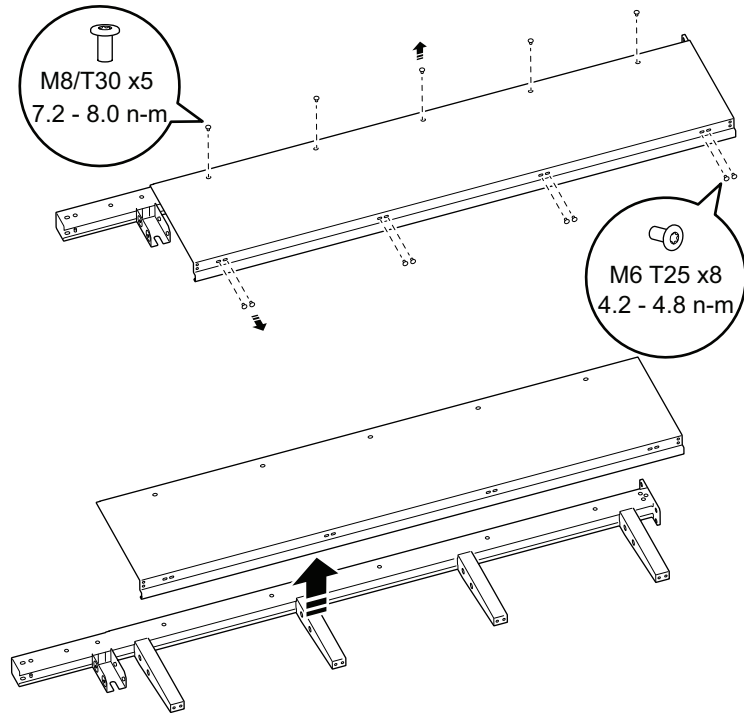
2.8.1 NSAC2401 Inventory



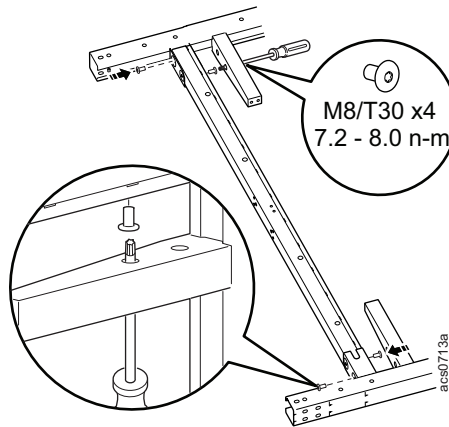
| Item | Description | Qty | Item | Description | Qty |
|--------------|------------------------|-----|------|----------------------------|-----|
| 1 | Doors | 2 | 6 | Hanging case | 1 |
| 2 | Height adapters | 2 | 7 | Air leak panels | 2 |
| 3 | End cap, front | 1 | 8 | Brush strips — door bottom | 2 |
| 4 | End cap, rear | 1 | 9 | Brush strips — door sides | 2 |
| 5 | Width beam | 1 | 10 | Posts, left/right | 2 |
| Hardware Kit | | | | | |
| 11 | Strengthening brackets | 2 | 16 | M6 low head screw, T25 | 10 |
| 12 | Sliding brackets | 2 | 17 | M8 low head screw, T30 | 26 |
| 13 | Hanging brackets | 2 | 18 | M4 button head screw, T20 | 14 |
| 14 | hole plug | 2 | 19 | M6 flanged hex nut | 6 |
| 15 | M6 spring nut | 10 | 20 | M6 pan head screw, T30 | 6 |

2.8.2 Assemble the Door Frame

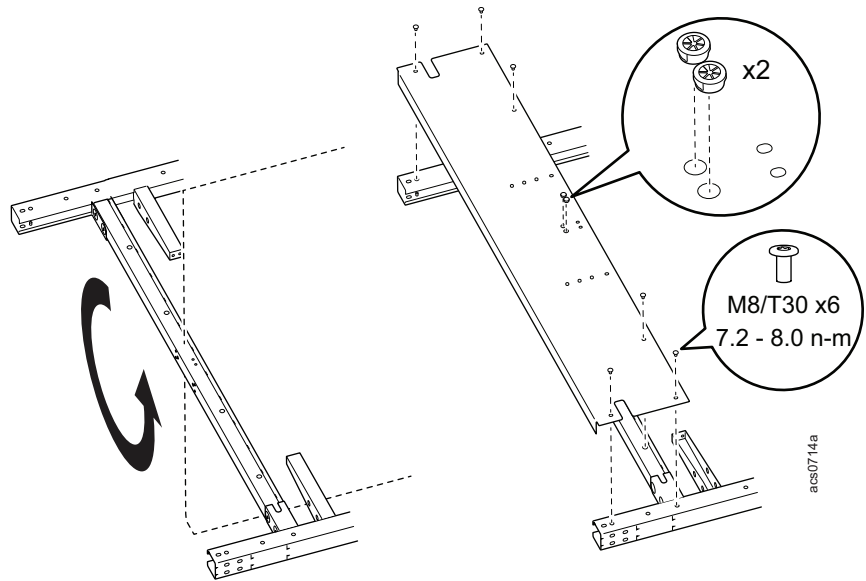
1. Remove the covers from each post. Each cover is secured with five M8 low head screws (T30) and eight M6 screws (T25). Save the screws.



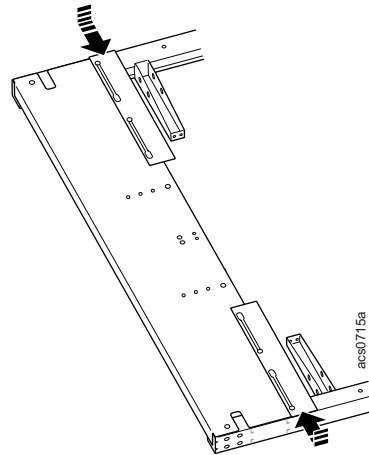
2. Secure the width beam to the door posts with four of the provided M8 low head screws (T30). You can put the driver through the holes in the supports to reach the bottom of the post.



- Secure the end cap to the frame with six of the provided M8 low head screws (T30). Insert the provided hole plugs into the end cap.

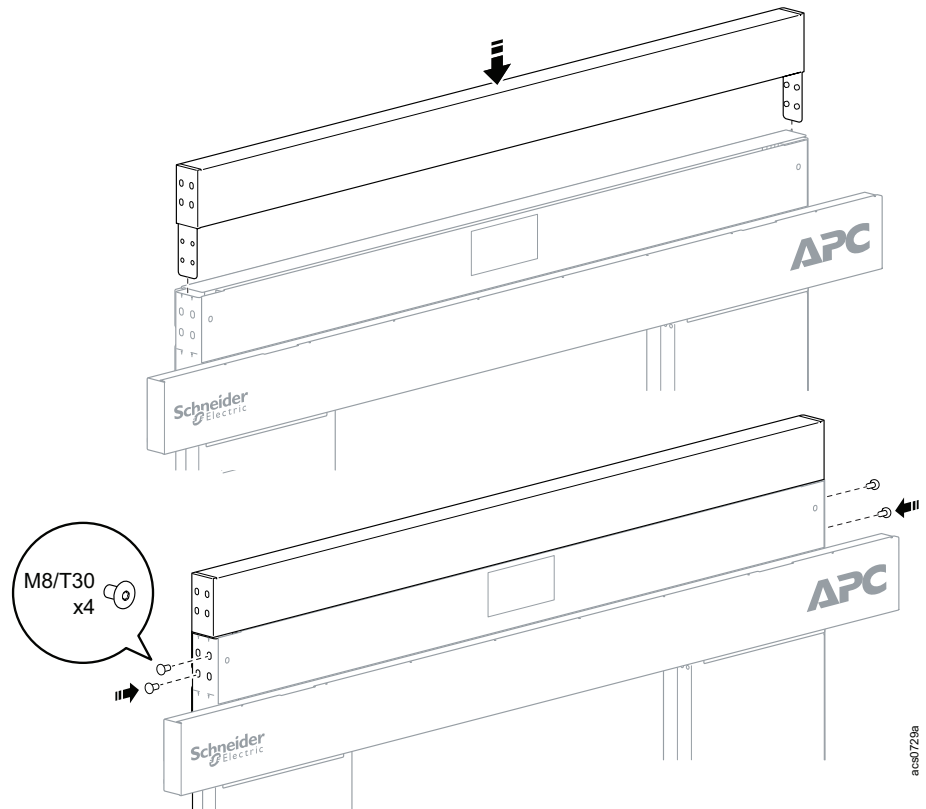


NOTE: For aisles that are 900 mm (3 ft) wide and 42U high: Install the sealing brackets onto the outermost screws before tightening.



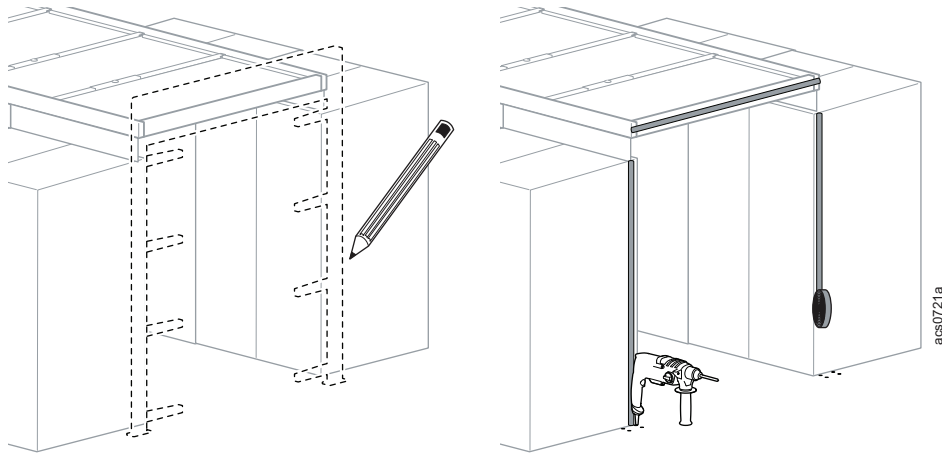
4. Optional step: Install height adapters

If needed, install the height adapters to close the gap between the door frame and the horizontal roof. The height adapters can accommodate aisle heights up to 52U. Secure each adapter to the door frame with four M8 low head screws (T30).

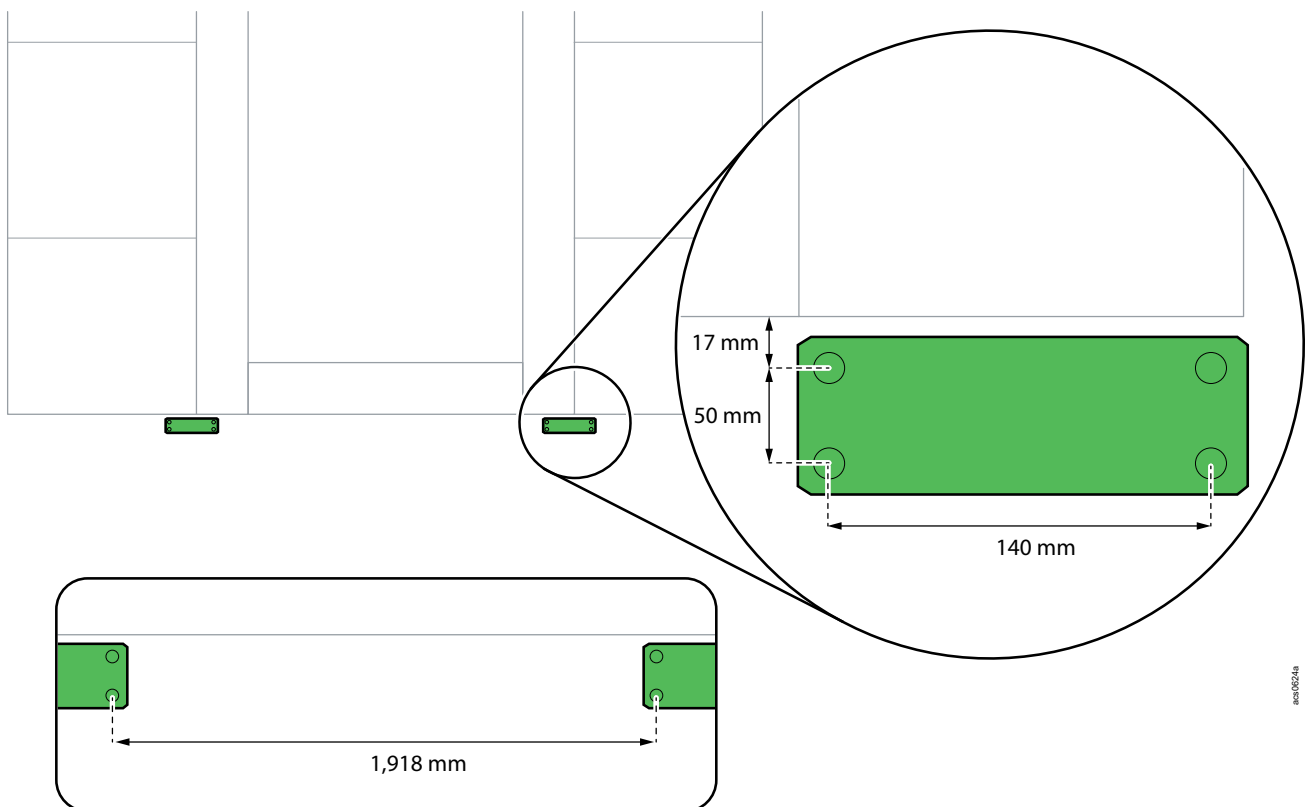


5. Measure and mark the location of the door posts. Use the markings to prepare for the door posts.

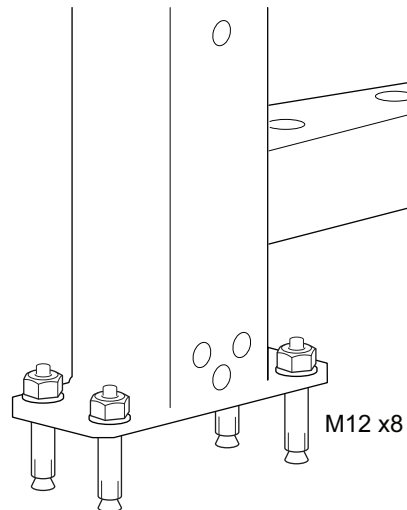
- Drill eight holes for M12 expansion bolt (not provided). The holes will be used to secure the posts to the floor.
- Apply the air seal (FS-AC-1001U) to the aisle.



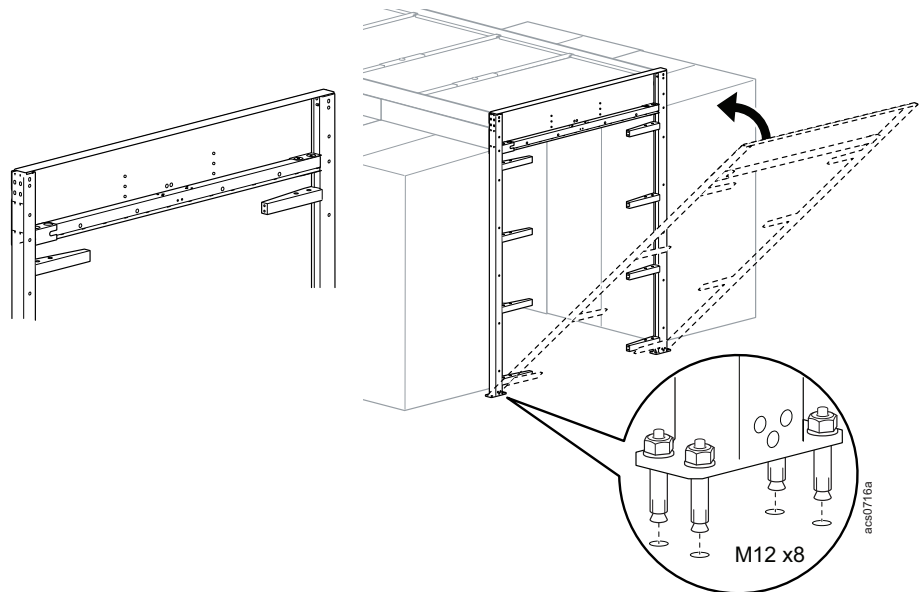
The following diagram show how to place the base of each post against the aisle, as viewed from the top.



6. Install eight M12 expansion screws appropriate for your floor type to the bottom of the posts. The expansion bolts are not provided.

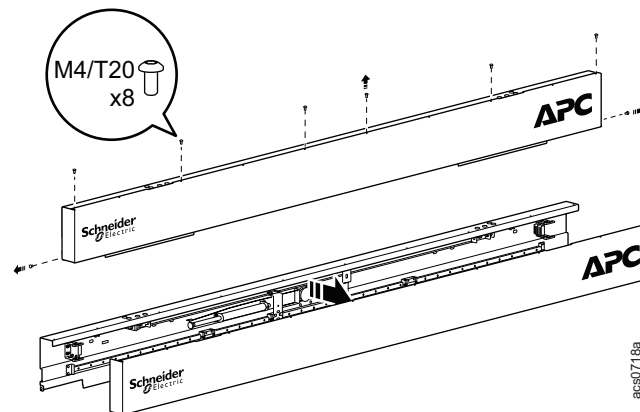


7. Stand the frame against to the aisle. Slide the expansion bolts into the existing holes, then tighten the bolts.

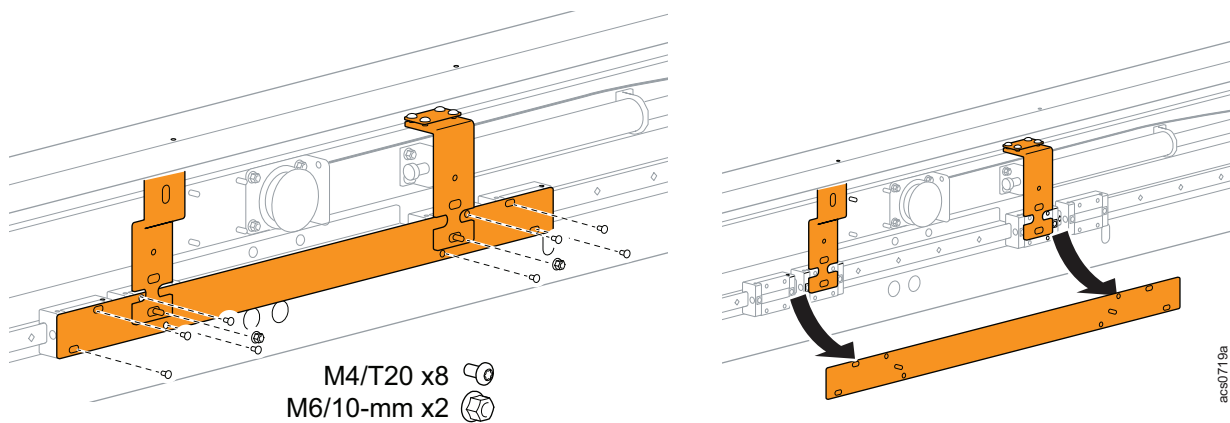


2.8.3: Install the Hanging Case

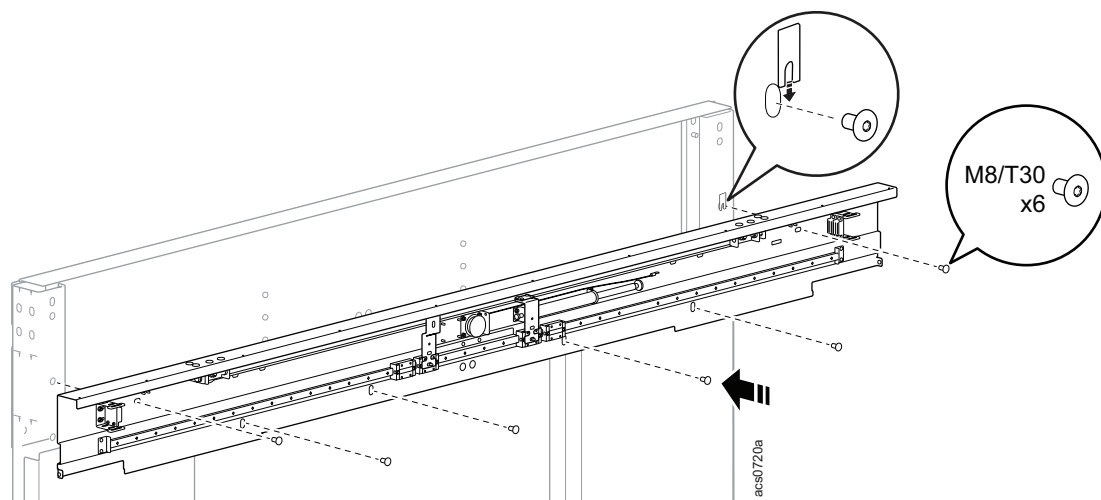
1. Remove the cover of the hanging case, secured by eight M4 button head screws (T20). Save the screws and the cover.



2. Remove the shipping bracket. The shipping bracket is secured by eight M4 button head screws (T20) and two M6 hex nuts (10-mm wide). Save the screws and nuts. Discard the shipping bracket.



3. Mount the hanging case to the door frame with four of the provided M8 low head screws (T30). Do not tighten the screws completely. Both ends of the hanging case must clear the door frame by an equal distance to ensure the doors move without obstruction. Use shims (not included) to ensure the hanging case is level, plumb, and square to the door frame. Then tighten the four T30 M8 screws.



2.8.4 Assemble and Mount the Doors

⚠ WARNING

HEAVY EQUIPMENT HAZARD

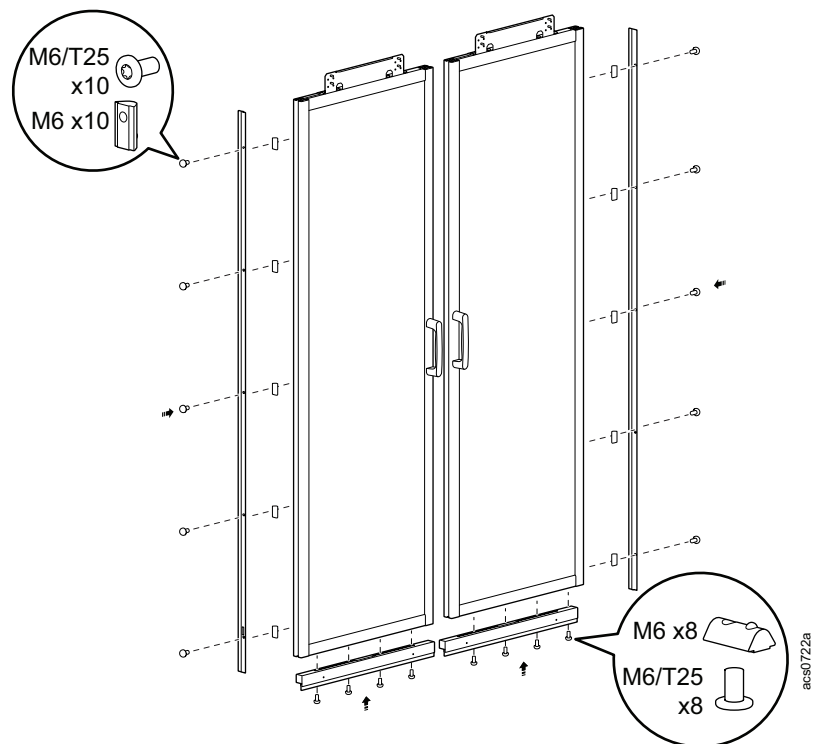
Use at least two people to mount the doors.

Failure to follow these instructions can result in death, serious injury, or equipment damage.

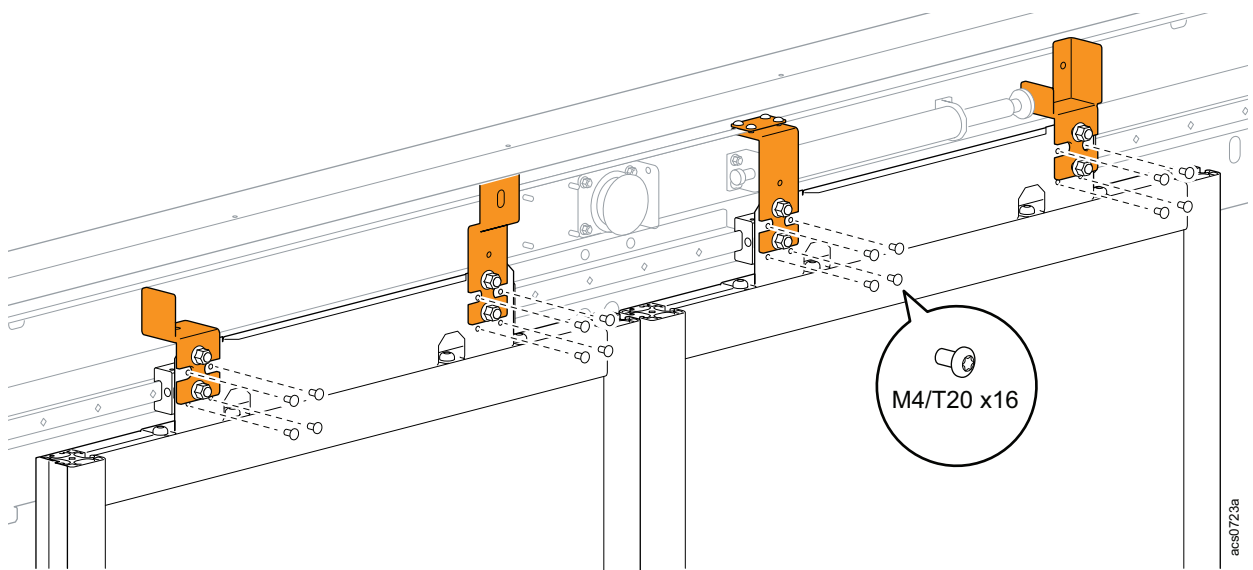
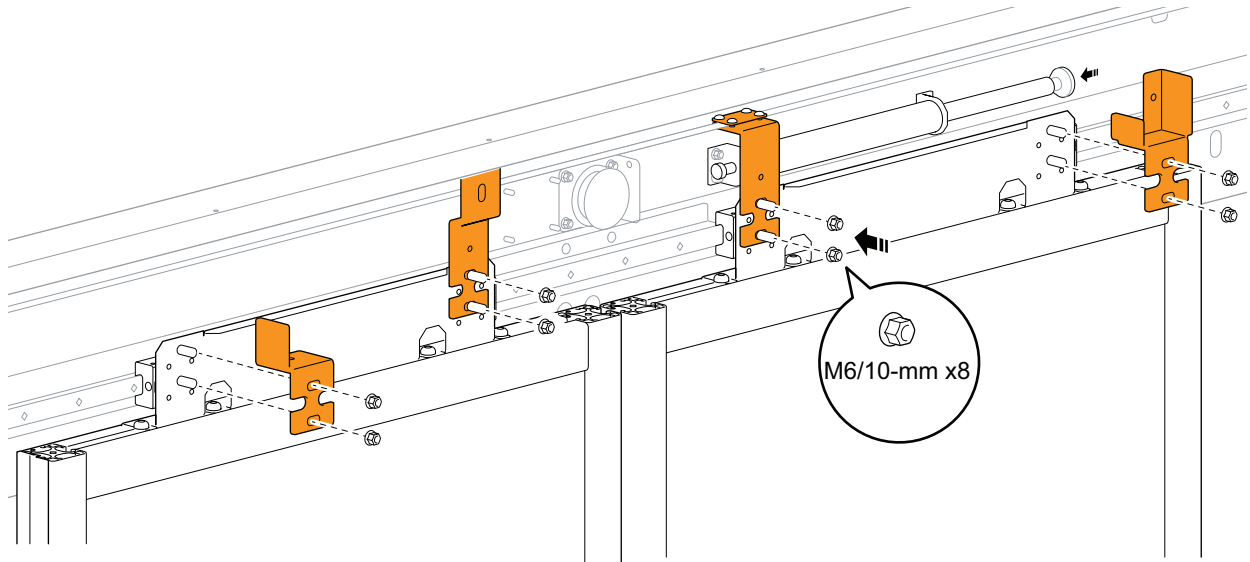
You will need the M4 button head screws (T20) and M6 hex nuts saved from the shipping bracket (see section 3.8.3, step 2).

1. Use the ten M6 low head screws (T25) and M6 spring nuts (provided) to secure the brush strips to the outer edge of each door.

Each door has four M6 low head screws (T25) and M6 spring nuts installed to the bottom frame piece. Use the pre-installed screws and spring nuts to install the bottom brush strips to the doors.

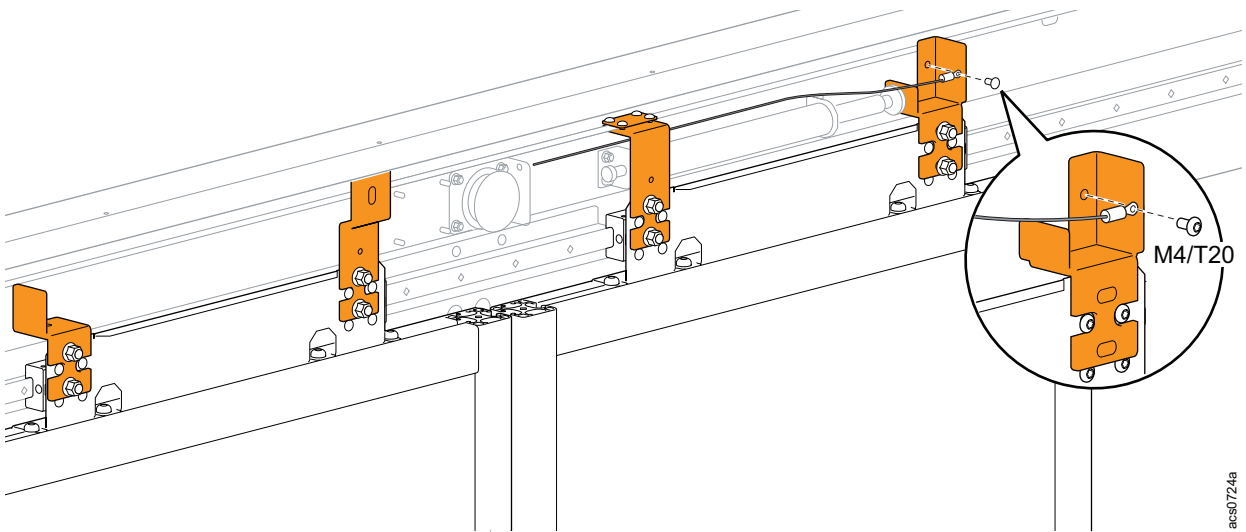


2. Have one person hold a door up to the hanging case so that the posts of the door assembly slide through the four hanging brackets. Have a second person align the four sliding blocks with the mounting holes in the doors. Have the second person secure the door to the hanging brackets with M6 hex nuts (provided). Then secure the doors to the sliding blocks with M4 button head screws (T20, provided). Use the screws and hex nuts saved from the shipping brackets.

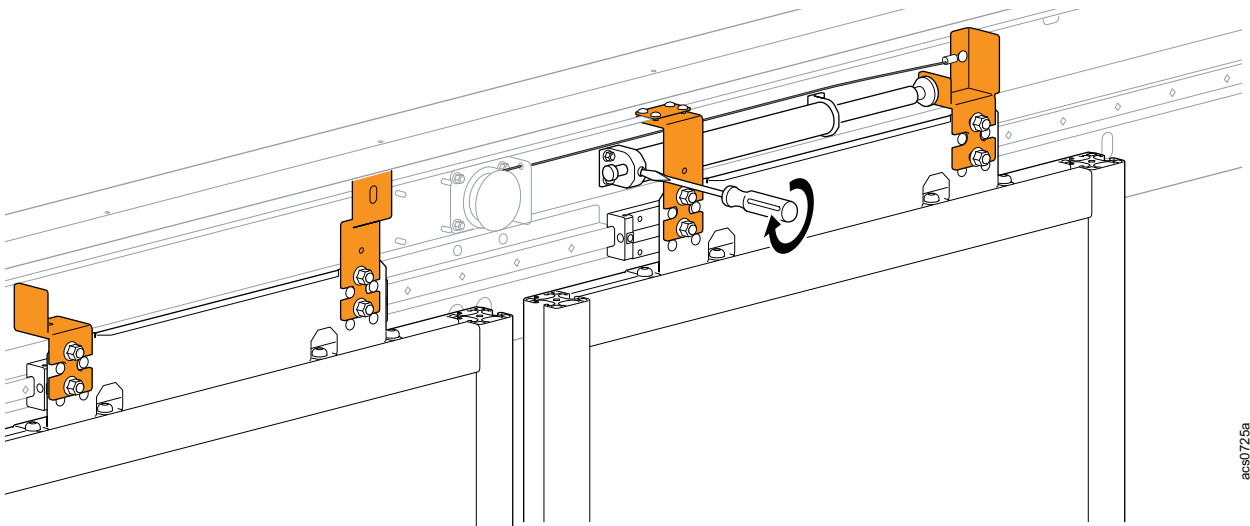


acs0723a

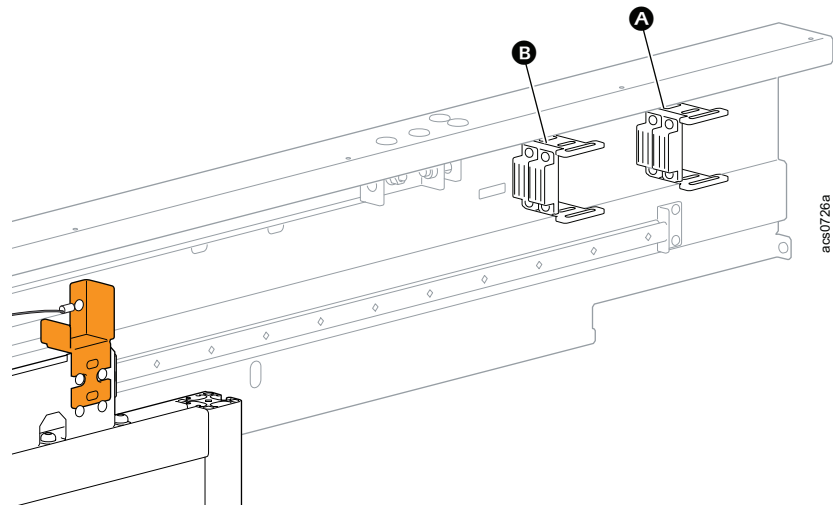
3. Pull the end of the cable. Attach one end of the cable to each of the right hanging bracket with one M4 button head screw (T20, provided).



4. Test how quickly the doors close. If the doors close quickly enough to slam into each other, turn the adjustment screw to the right to slow the doors as they close.

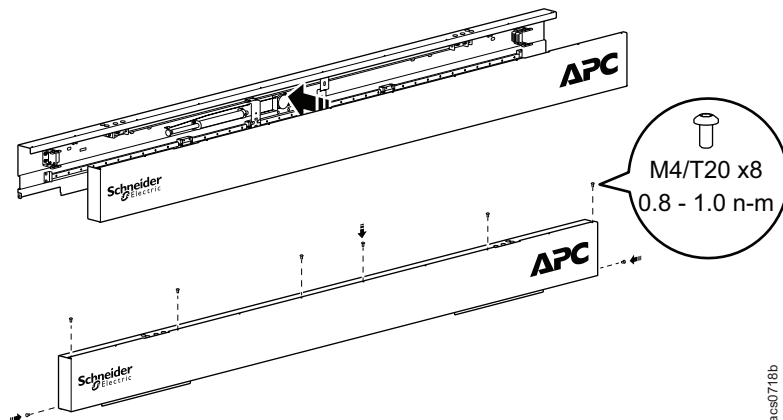


- Adjust the location of the door stopper as needed. By default, the door stopper is located for a 4-ft (1,268-mm) or 6-ft (1,860-mm) aisle (A). For a 900 mm (3 ft) aisle, move the door stopper to the secondary stopper location (B). Each door stopper is secured with two M4 hex nuts.



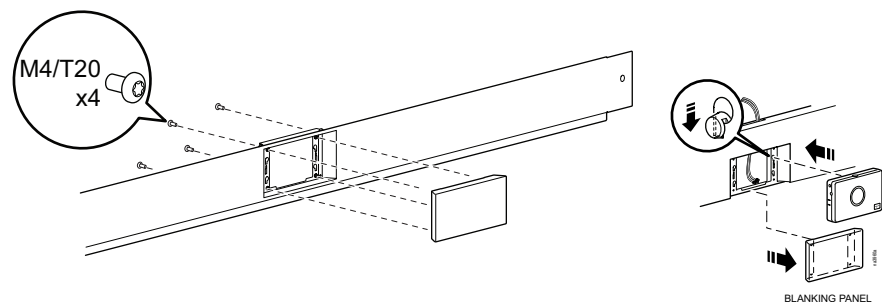
2.8.5 Finish the Installation

- Re-install the cover of the hanging case with M4 button head screws (T20) (saved from section 3.8.4).

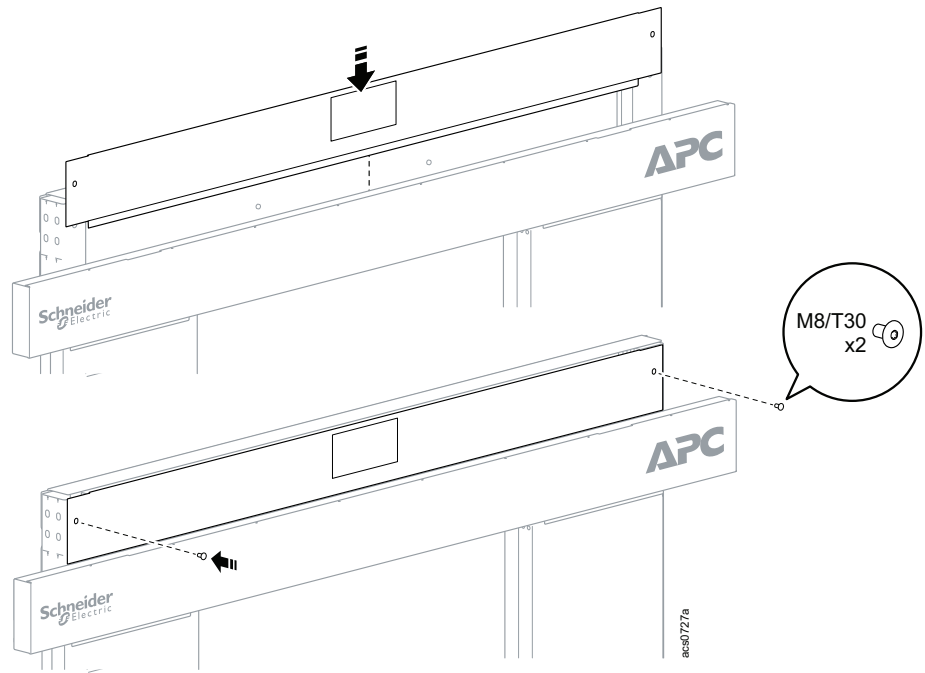


- Optional step: Mount the Active Flow Controller (ACAC22000)

Remove the blanking panel, which is secured by four M4 button head screws (T20). Install the Active Flow Controller.

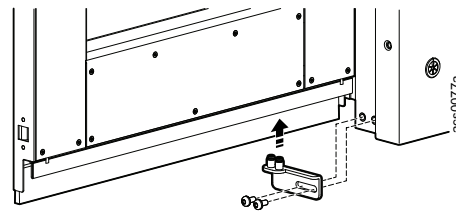


- Secure the door header cover with two M8 low head screws (T30).



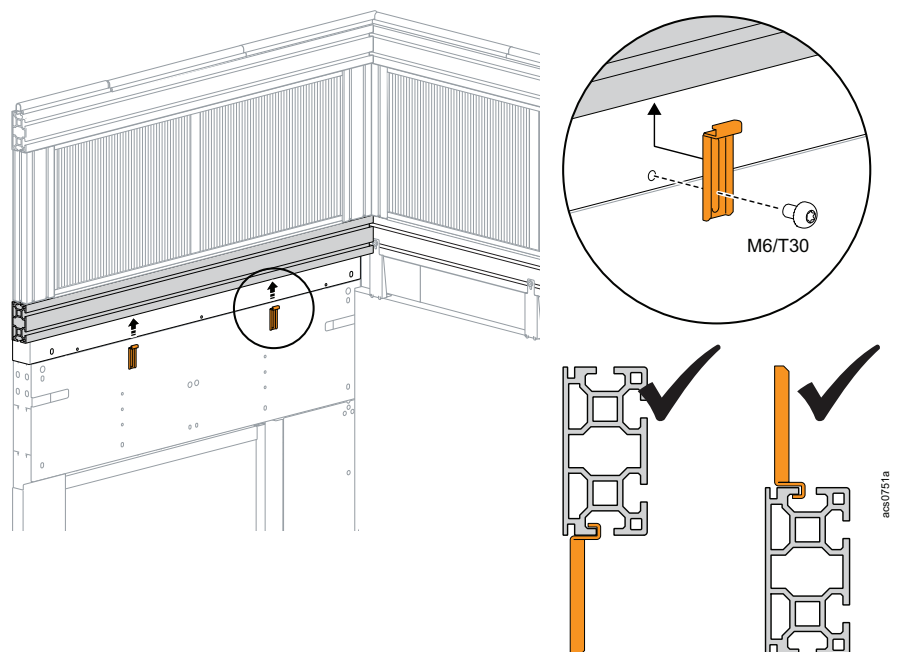
- Use two M6 TORX screws to install each sliding bracket to the bottom of the door frame. The brush strips should slide through the pins as the doors open and close.

NOTE: In single-door assemblies, the accessory bag contains sliding brackets for both right- and left-sliding doors.



- Locate the mounting holes on the back of the door frame. Clip the strengthening brackets to the aisle frame so that the mounting holes are visible in the center of the bracket. Secure the strengthening brackets to the door frame with M6 pan head screws (T25).

NOTE: You can place the strengthening above or below the aisle roof.



2.9 Install a Single Sliding Door

What's in This Chapter

2.9.1 NSAC2402 Inventory..... 98
 2.9.2 Assemble the Door Frame 99
 2.9.3 Install the Hanging Case 106
 2.9.4 Assemble and Mount the Doors 110
 2.9.5 Finish the Installation..... 114

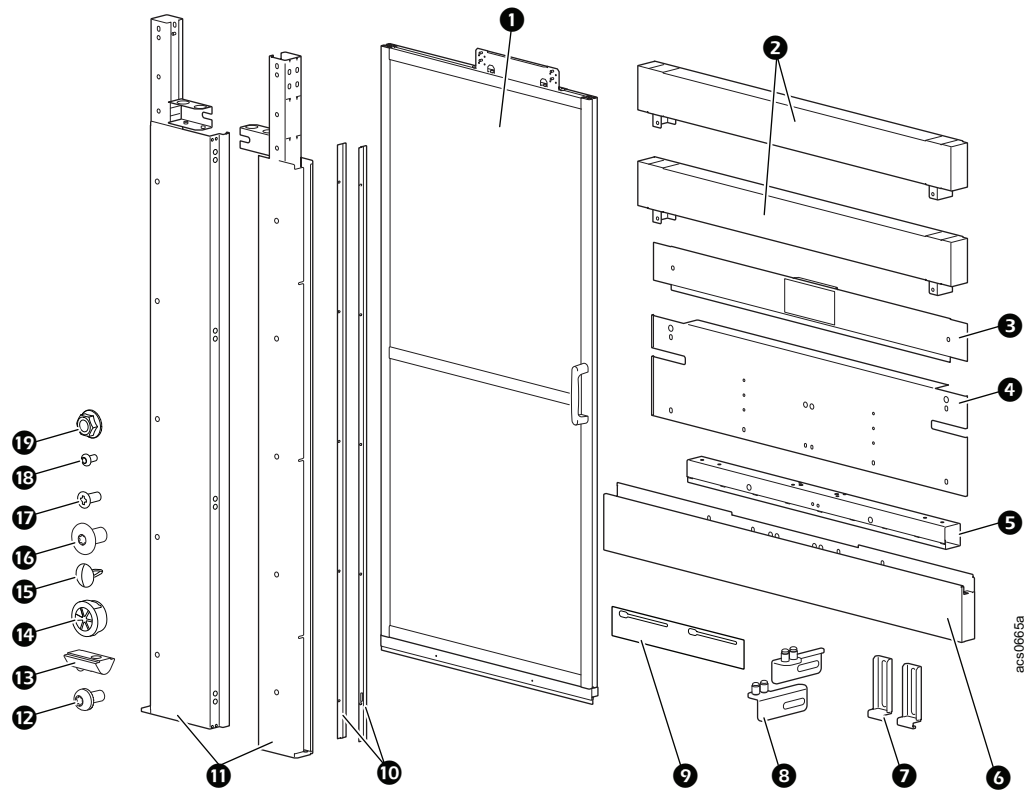
Parts and tools

| Required parts |
|---|
| Single Sliding Door (NSAC2402) |
| NetShelter Pod Containment Air Sealing Kit (FS-AC-1001-U) |

| Tools required (not provided) |
|---|
| Torque screwdriver: T30, T25, T20 |
| Pencil, chalk line, or other marking tool |
| Tape measure |
| Optional: 3 fasteners appropriate for your wall material (to fasten the door cover to the wall) |
| M12 Expansion bolts appropriate for your floor material (8 per door) |
| M12 Wrench |
| Drill and M12 drill bits appropriate for your floor material |
| 10-mm hex wrench |
| Shims |
| Flat head screwdriver |

NOTE: The Single Sliding Door is compatible with 3-ft and 4-ft aisles.

2.9.1 NSAC2402 Inventory

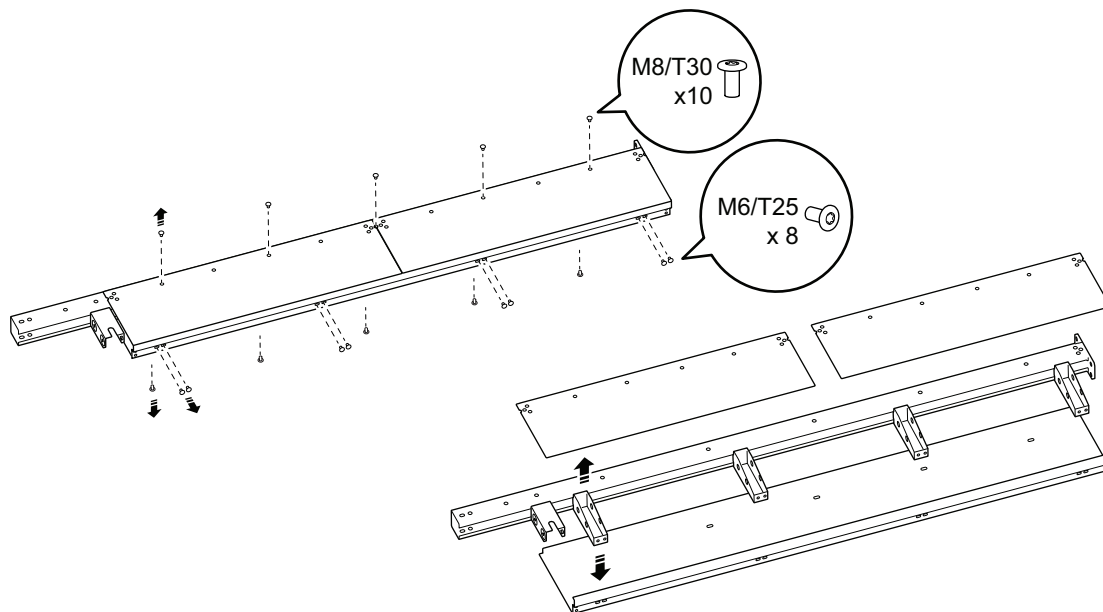


| Item | Description | Qty | Item | Description | Qty |
|------|------------------------|-----|------|-------------------------|-----|
| 1 | Door | 1 | 11 | Posts, large/small | 2 |
| 2 | Height adapters | 2 | 12 | Star screw, M6 x 12 | 14 |
| 3 | End cap, front | 1 | 13 | Sprint nut | 10 |
| 4 | End cap, rear | 1 | 14 | Hole plug, round | 2 |
| 5 | Width beam | 1 | 15 | Hole plug, wedge | 2 |
| 6 | Hanging case | 1 | 16 | Star screw, M8 x12 | 26 |
| 7 | Strengthening brackets | 2 | 17 | Phillips screw, M5 x 12 | 6 |
| 8 | Sliding brackets | 2 | 18 | Star screw, M4 x 6 | 4 |
| 9 | Air leak panel | 1 | 19 | Nut, M6 | 2 |
| 10 | Brush strips — side | 2 | | | |

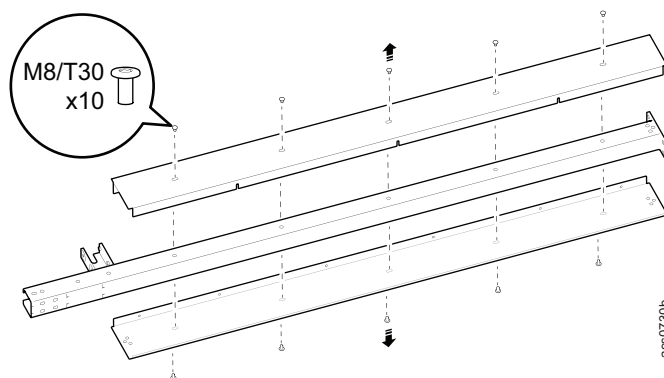
2.9.2 Assemble the Door Frame

1. Remove the front and rear covers from each post. The covers are secured with M8 low head screws (T30) and M6 low head screws (T25). Save the screws.

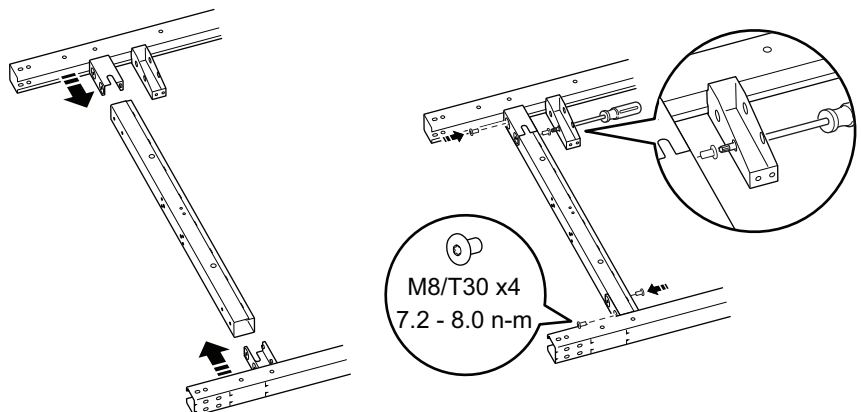
Large post:



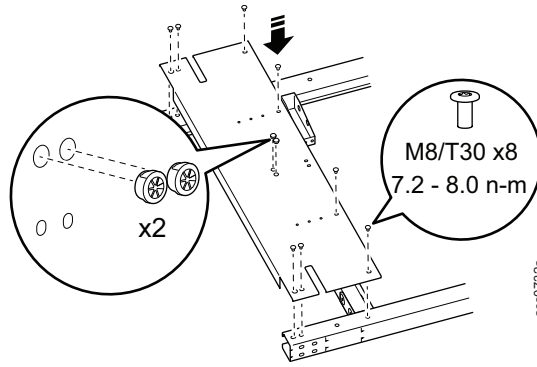
Small post:



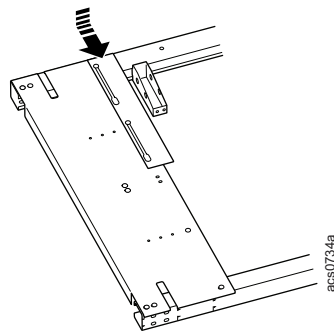
2. Secure the width beam to the door posts with four M8 low head screws (T30).



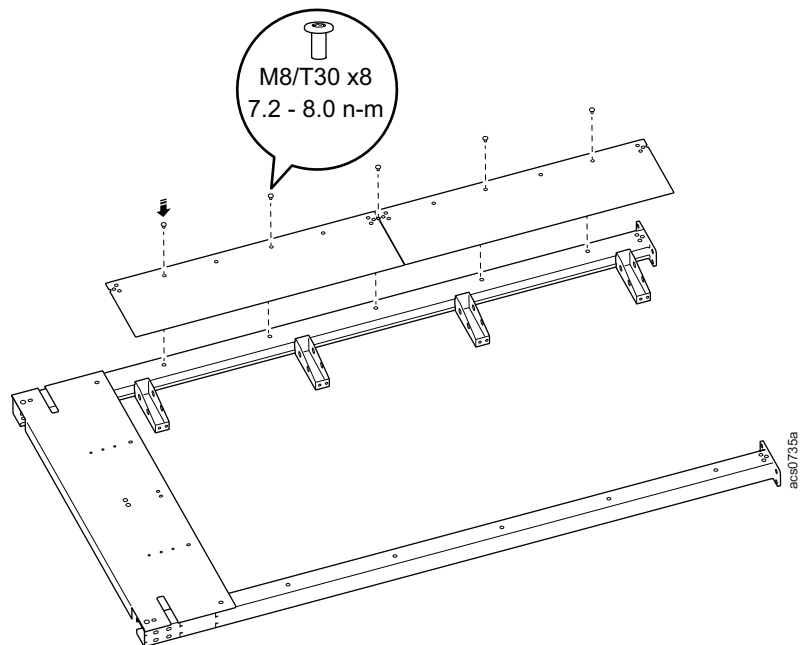
- Secure the end cap to the frame with eight M8 low head screws (T30).



NOTE: For aisles that are 900 mm (3 ft) wide and 42U high: Install the sealing bracket onto the outermost screws before tightening. Place the sealing bracket on the side furthest from the wall.

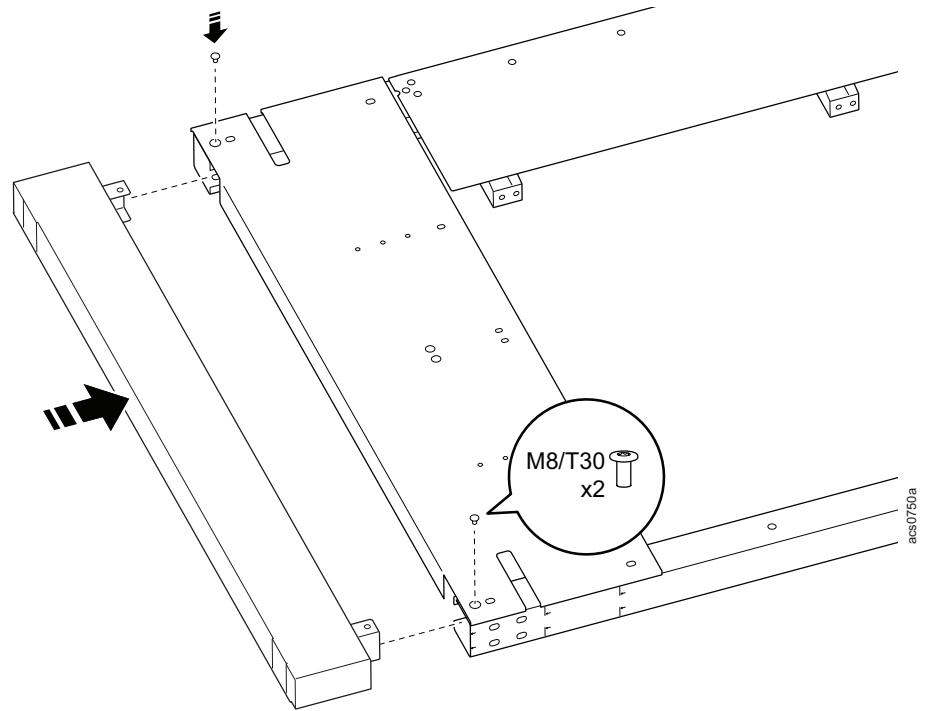


- Install the back covers to the large post with eight M8 low head screws (T30).



5. Optional step: Install height adapters

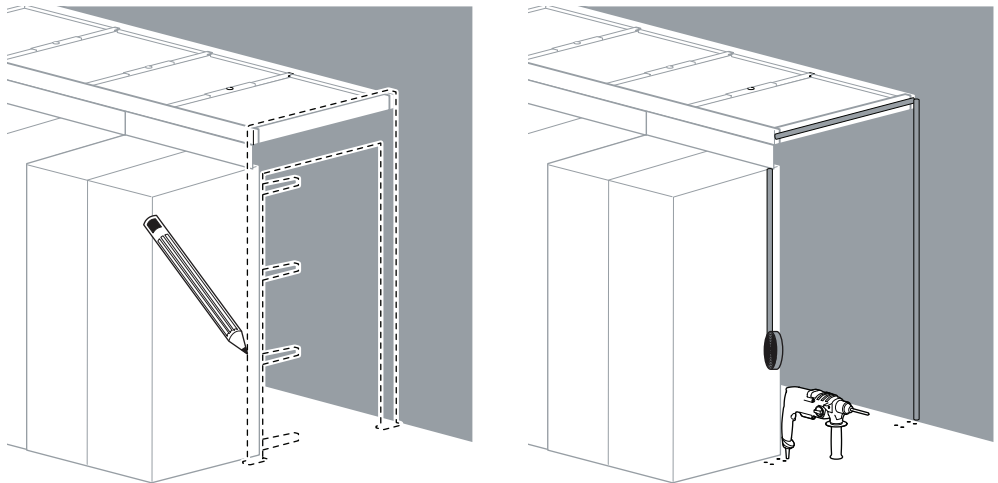
If needed, install the height adapters to close the gap between the door frame and the horizontal roof. The height adapters can accommodate aisle heights up to 52U. Secure each adapter to the door frame with two M8 low head screws (T30).



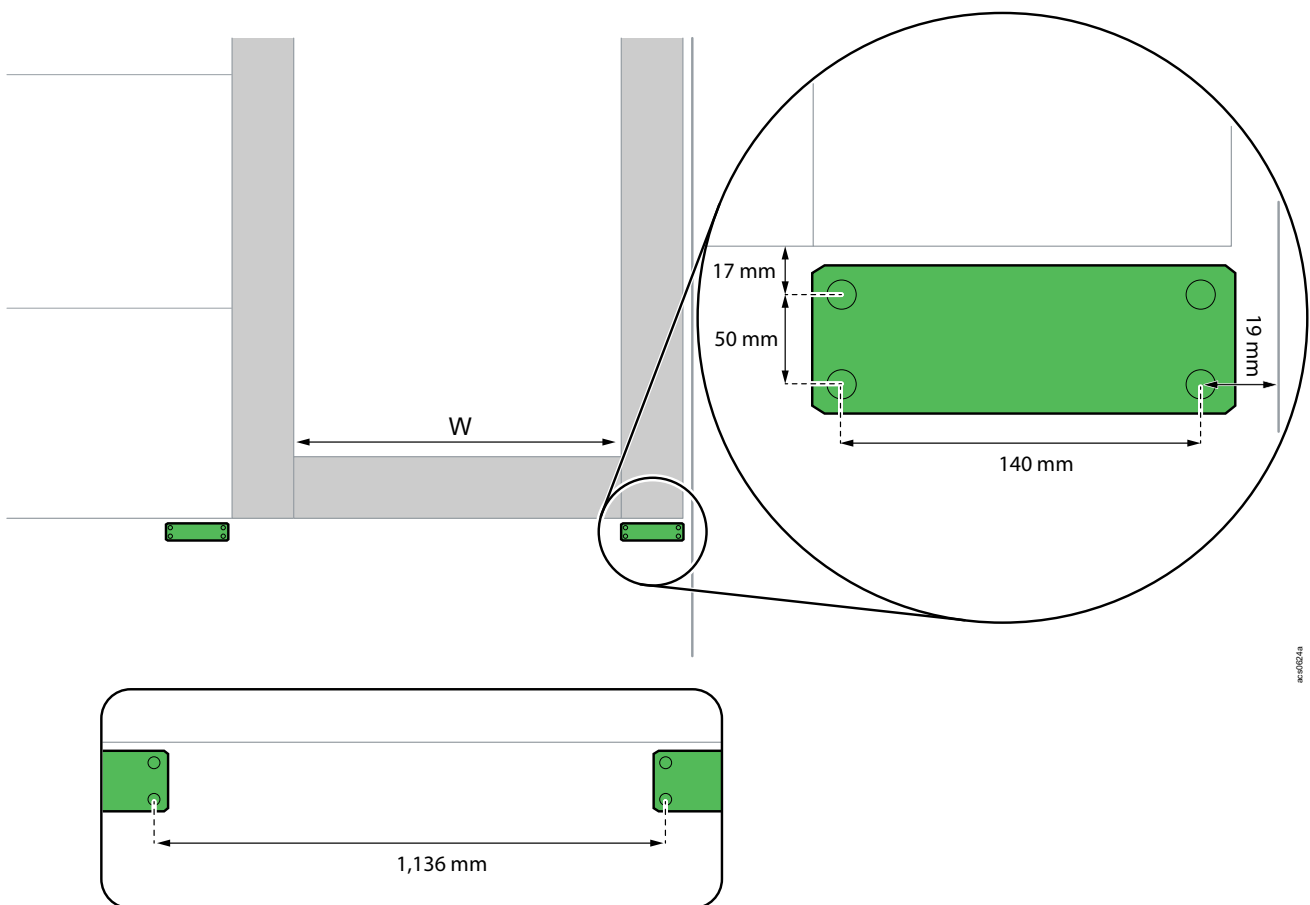
6. Measure and mark the location of the door posts. Use the markings to prepare for the door posts.

- Drill eight holes for M12 fasteners (not provided). The holes will be used to secure the posts to the floor.
- Apply the air seal (FS-AC-1001U) to the aisle and wall.

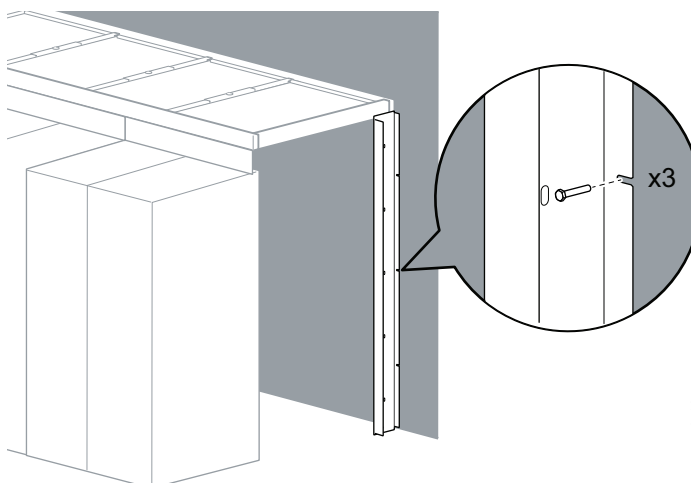
NOTE: Do not apply the seal to the top of the frame if you will need to install a door height adapter.



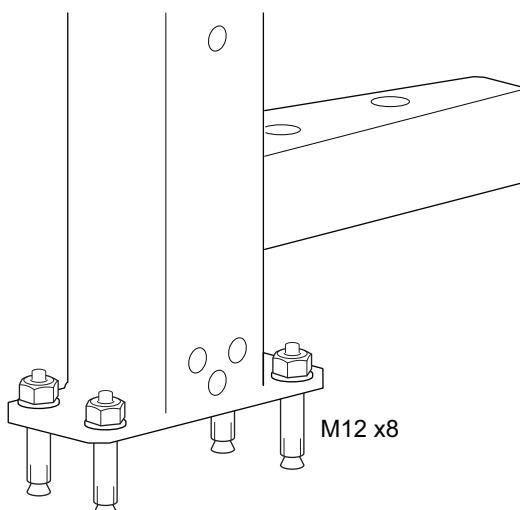
The following diagram show how to place the base of each post against the aisle and wall, as viewed from the top.



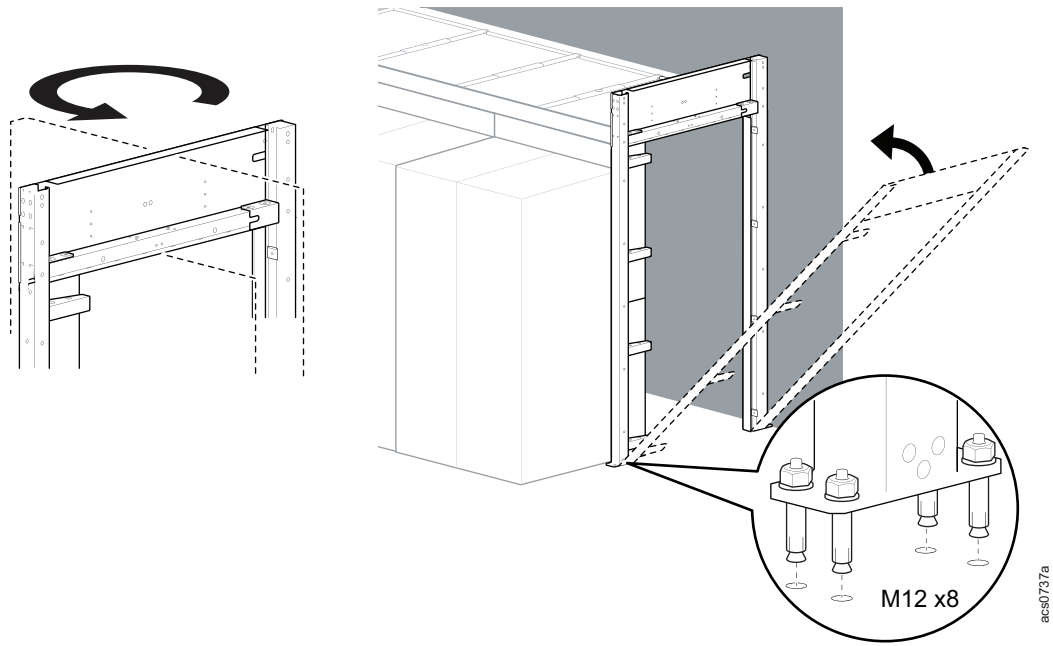
7. Optional step: You can secure the cover of the short post to the wall with three fasteners appropriate for your wall type (not provided). Stand the door frame against the wall, and use a pencil to mark the position of the cover. Then align the cover with the markings and secure it to the wall.



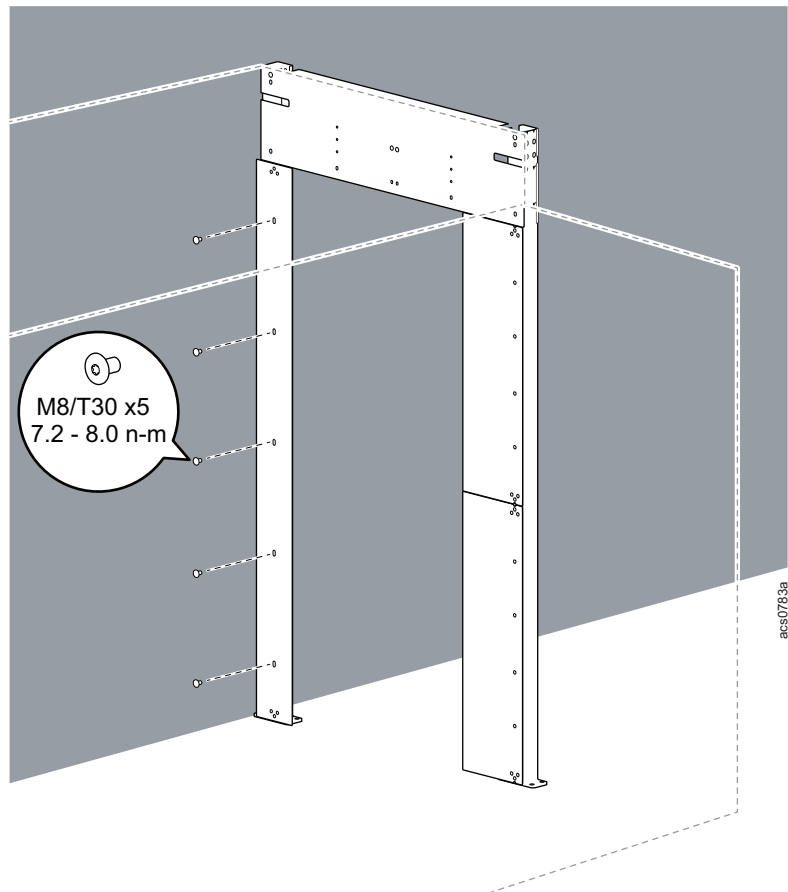
8. Install eight M12 expansion bolts appropriate for your floor type to the bottom of the posts. The expansion bolts are not provided.



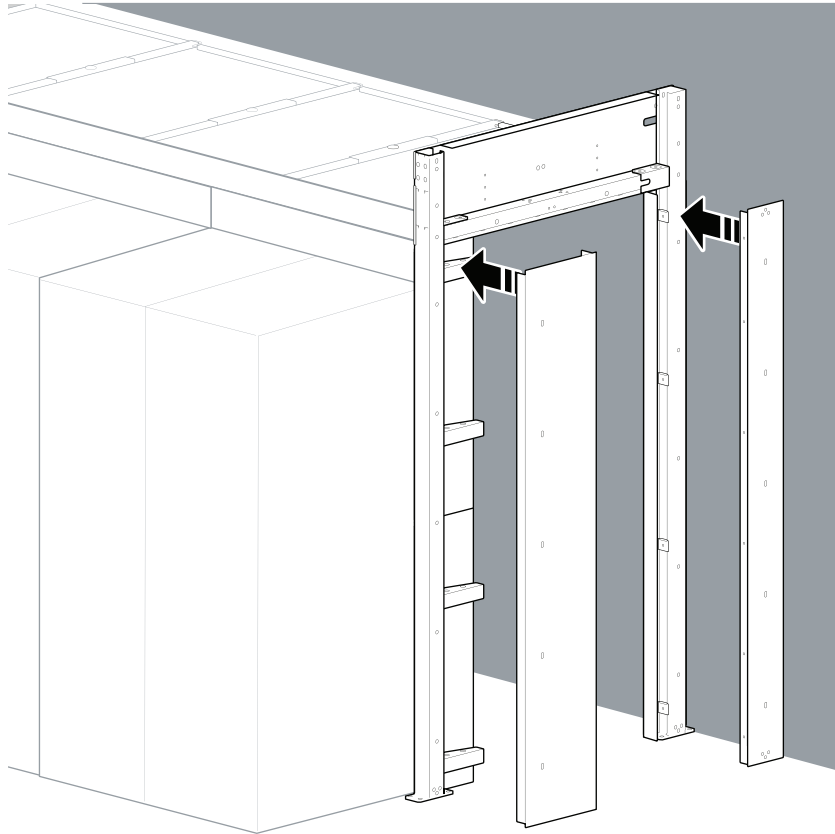
9. Stand the frame against the aisle. Secure the base of the frame to your floor with the M12 expansion bolts.



10. Secure the cover to the small post with five M8 low head screws (T30).



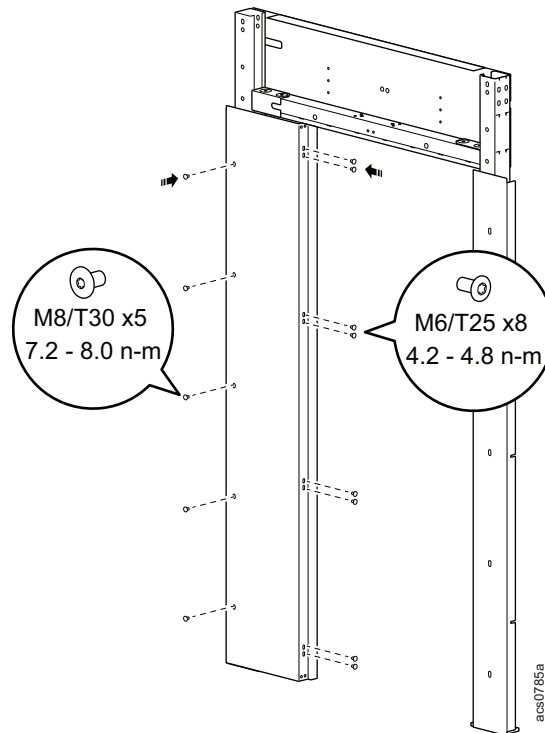
11. Secure the front covers to door posts.



Secure the small cover with five M8 low head screws (T30) and six M5 phillips head screws (#2).



Secure the large cover with five M8 low head screws (T30) and eight M6 low head screws (T25).

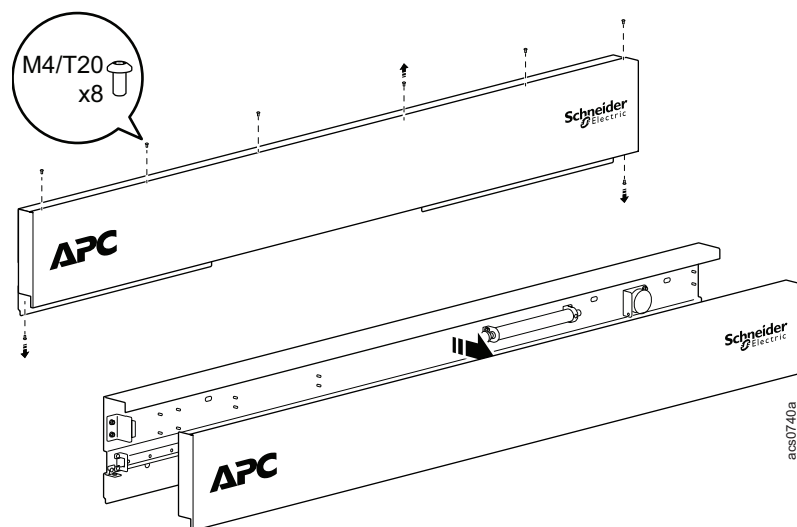


2.9.3 Install the Hanging Case

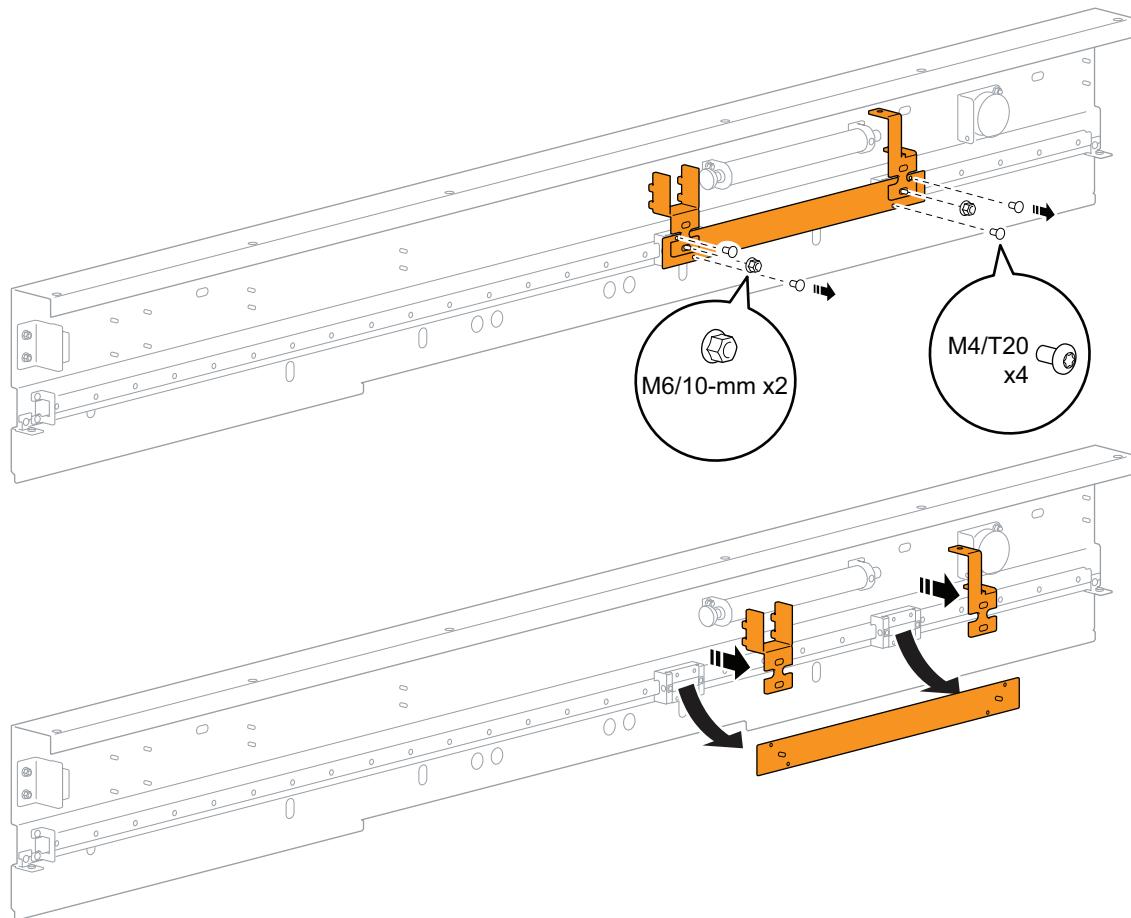
By default, single-door assemblies are configured so that the door slides open to the left. You can install a single-door hanging case as-is, or convert it to a right-sliding door.

To install the hanging case as-is:

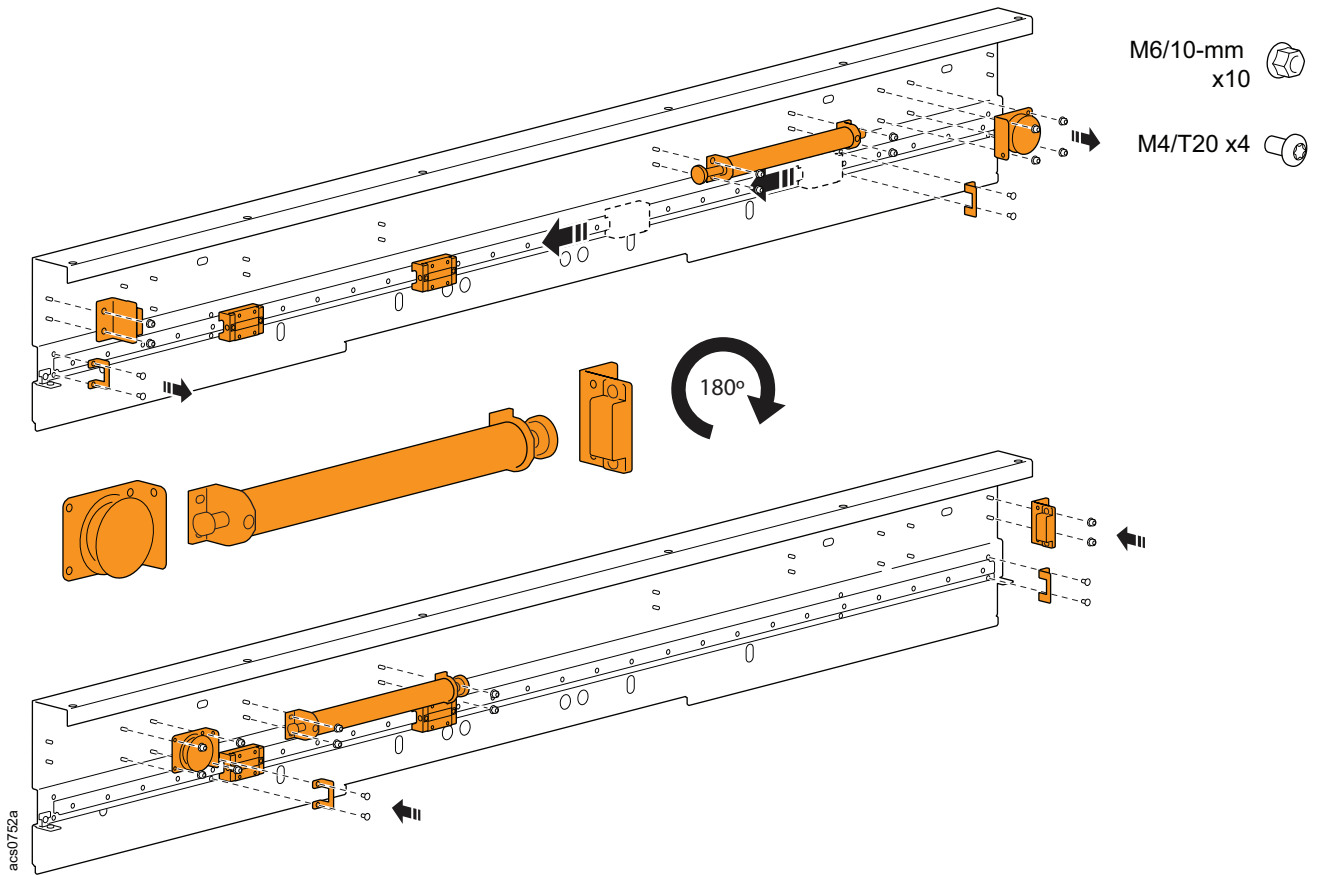
1. Remove the cover of the hanging case, secured by eight M4 screws (T20). Save the screws and the cover.



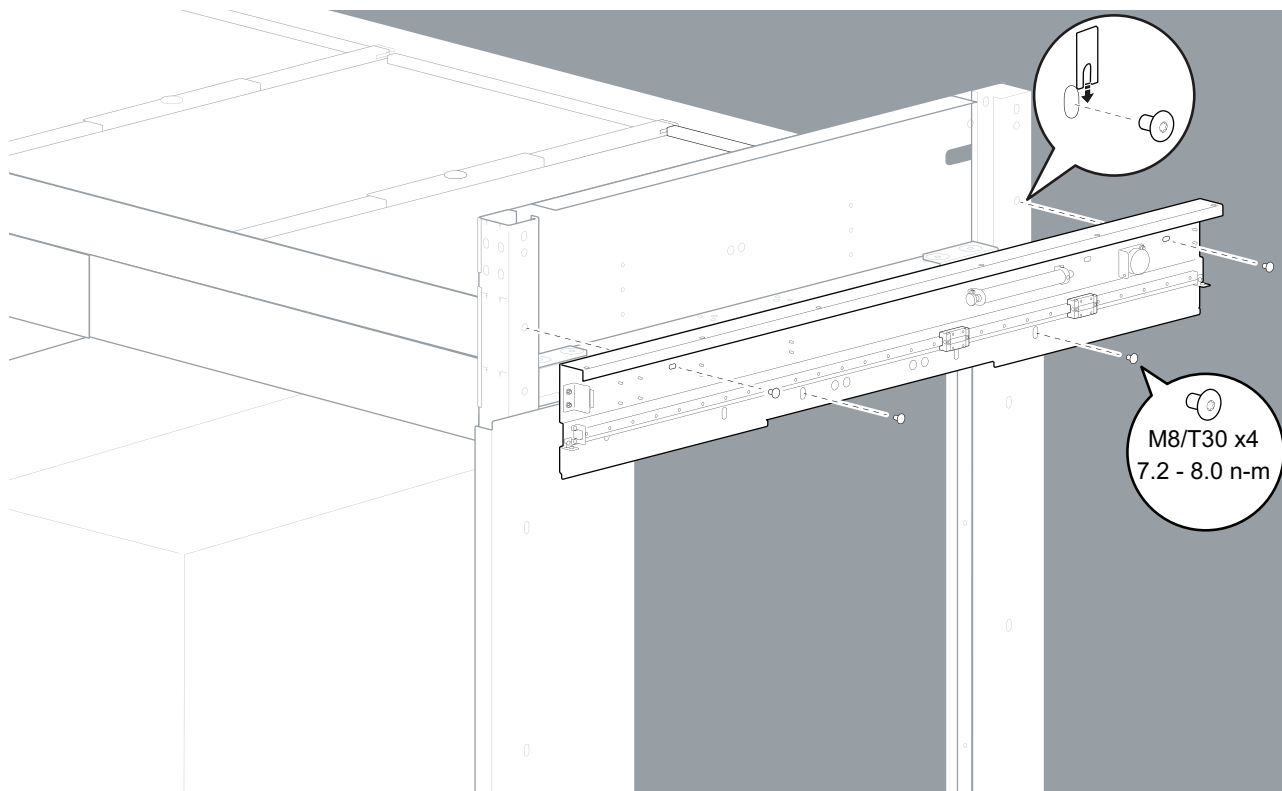
2. Remove the shipping bracket. The shipping bracket is secured by four M4 screws (T20 driver) and two M6 hex nuts (10-mm wrench). Save the screws and nuts. Discard the shipping bracket.



3. Optional step to reverse the door: Move the hanging hardware to the right side of the door as shown.



4. Mount the hanging case to the door frame with four M8 low head screws (T30). Do not tighten the screws completely. Both ends of the hanging case must clear the door frame by an equal distance to ensure the doors move without obstruction. Use the shims (not included) to ensure the hanging case is level, plumb, and square to the door frame.



Tighten the four M8 low head screws.

2.9.4 Assemble and Mount the Doors

⚠ WARNING

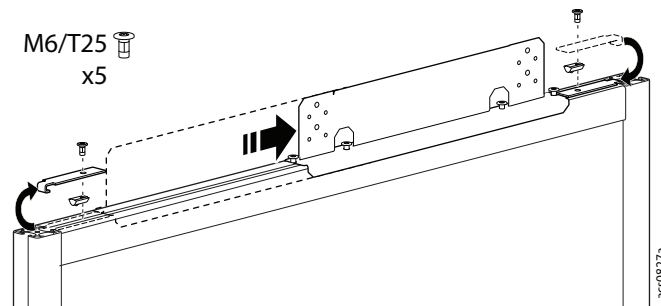
HEAVY EQUIPMENT HAZARD

Use at least two people to mount the doors.

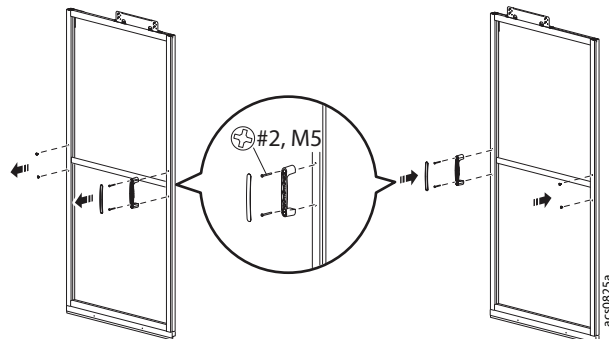
Failure to follow these instructions can result in death, serious injury, or equipment damage.

You will need the M4 screws and M6 hex nuts saved from the shipping brackets. You will also need the ten M4 screws saved from the cover of the hanging case. (See the removal of the shipping bracket and the cover in section 2.9.3).

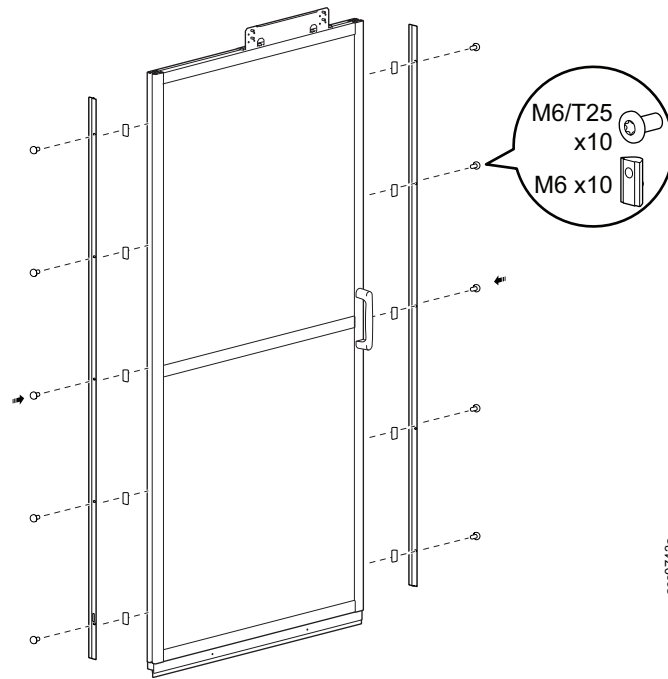
1. Optional step to reverse the door:
 - a. Remove the M6 low head screw (T25) securing the stopper bracket. Move the stopper bracket to the other side of the door. Loosen the four M6 low head screws (T25) securing the hanging bracket. Slide the bracket to the other side of the door. Tighten the screws.



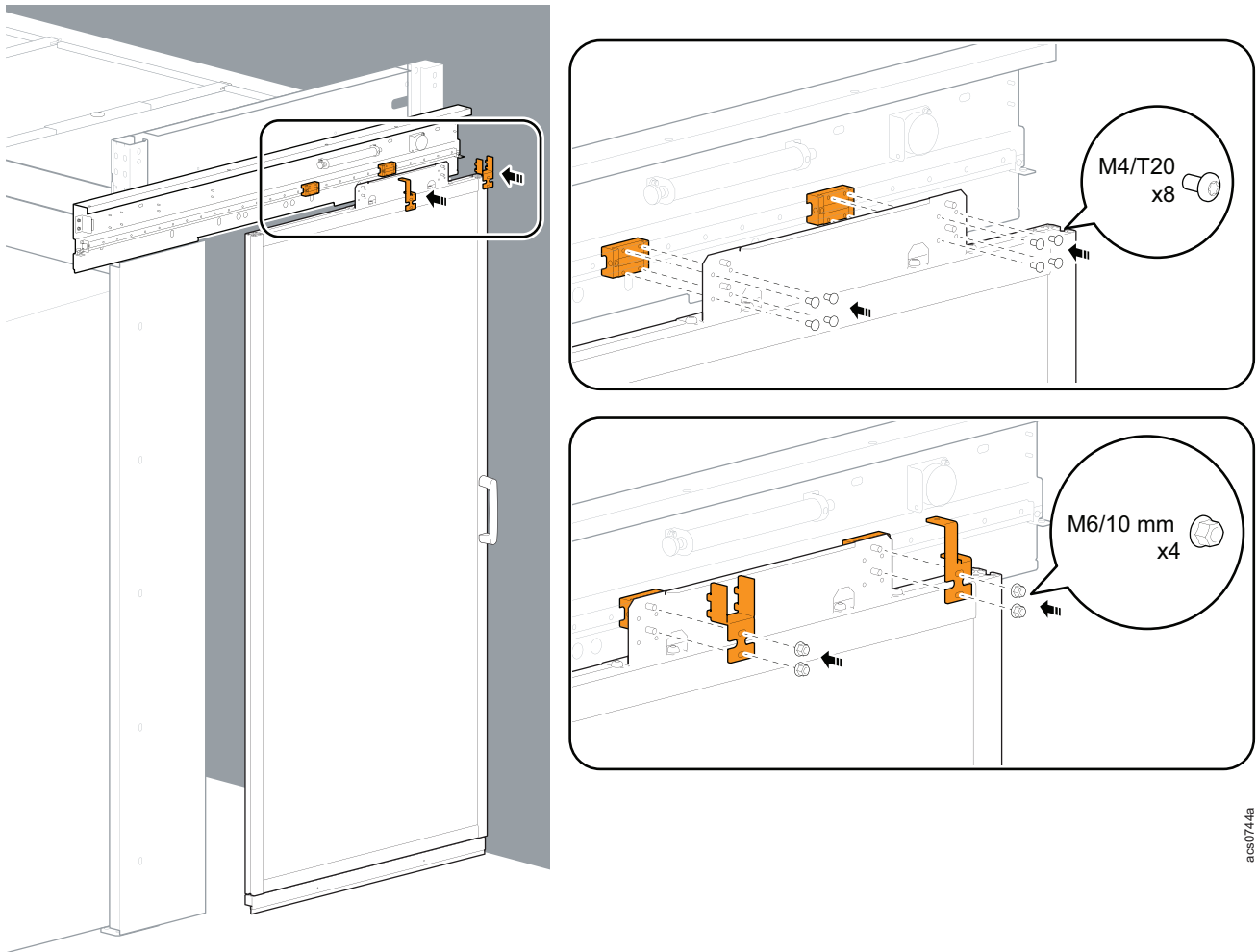
- b. Move the handle to the opposite side of the door. Handles are secured with two M5 Phillips head screws (#2) beneath a plastic cover.



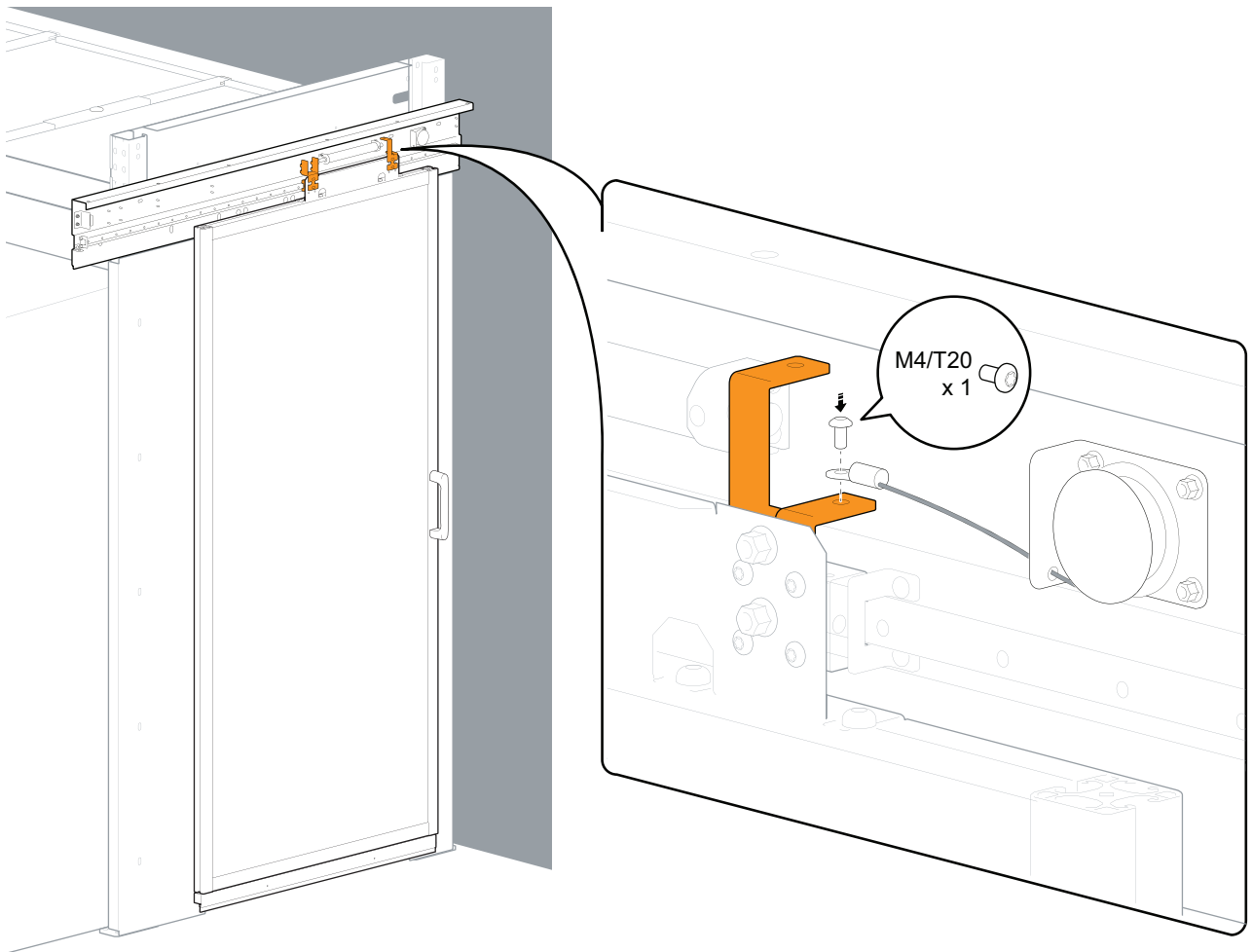
2. Use the ten M6 low head screws (T25) and M6 spring nuts (provided) to secure the brush strips to both sides of the door.



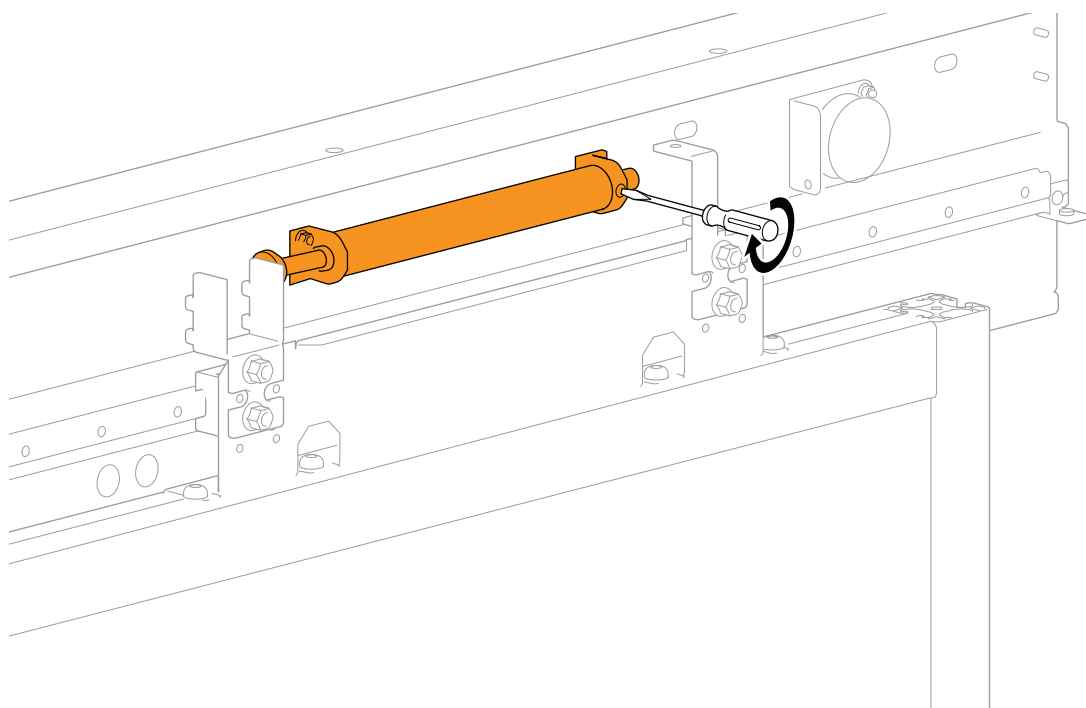
3. Have one person hold the door up to the hanging case so that the posts of the door assembly slide through the brackets in the hanging case. Have a second person secure the door to the hanging brackets and sliding blocks with eight M4 screws (T20) and four M6 nuts (saved from section 2.9.3).



4. Pull the end of the cable. Attach one end of the cable to each of the outermost brackets with one M4 button head screw (T20).

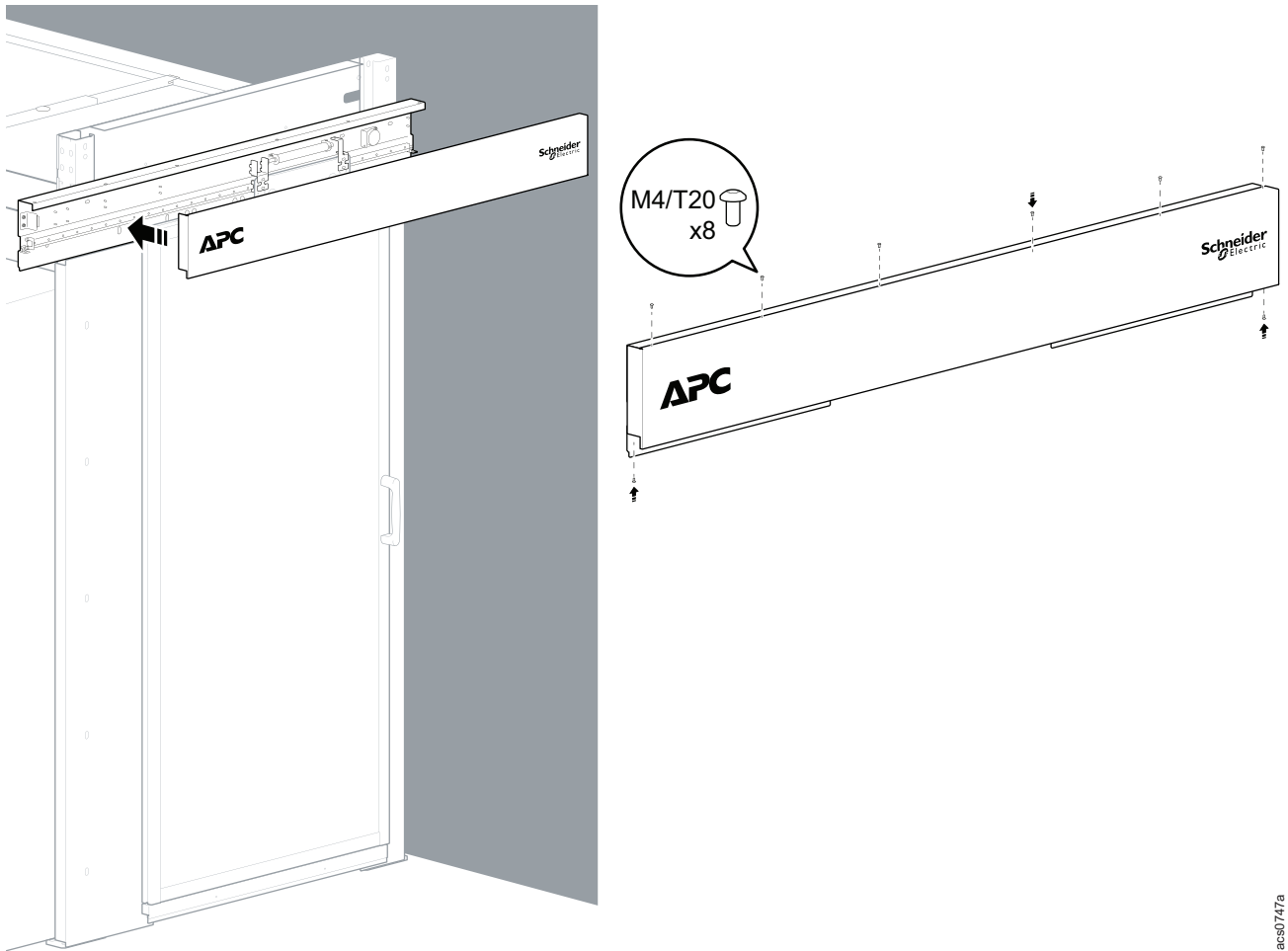


5. Test how quickly the doors close. If the doors close quickly enough to slam into each other, turn the adjustment screw to the right to slow the doors as they close.

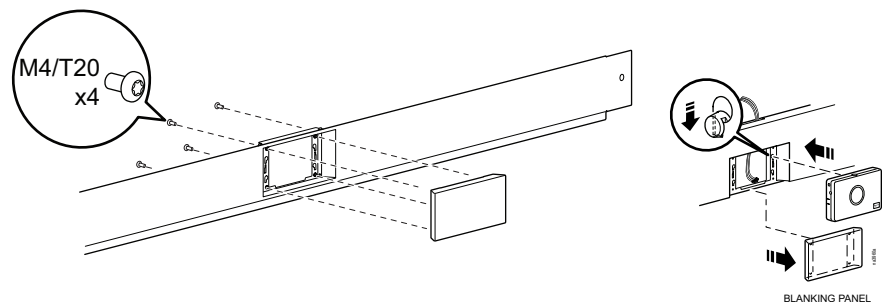


2.9.5 Finish the Installation

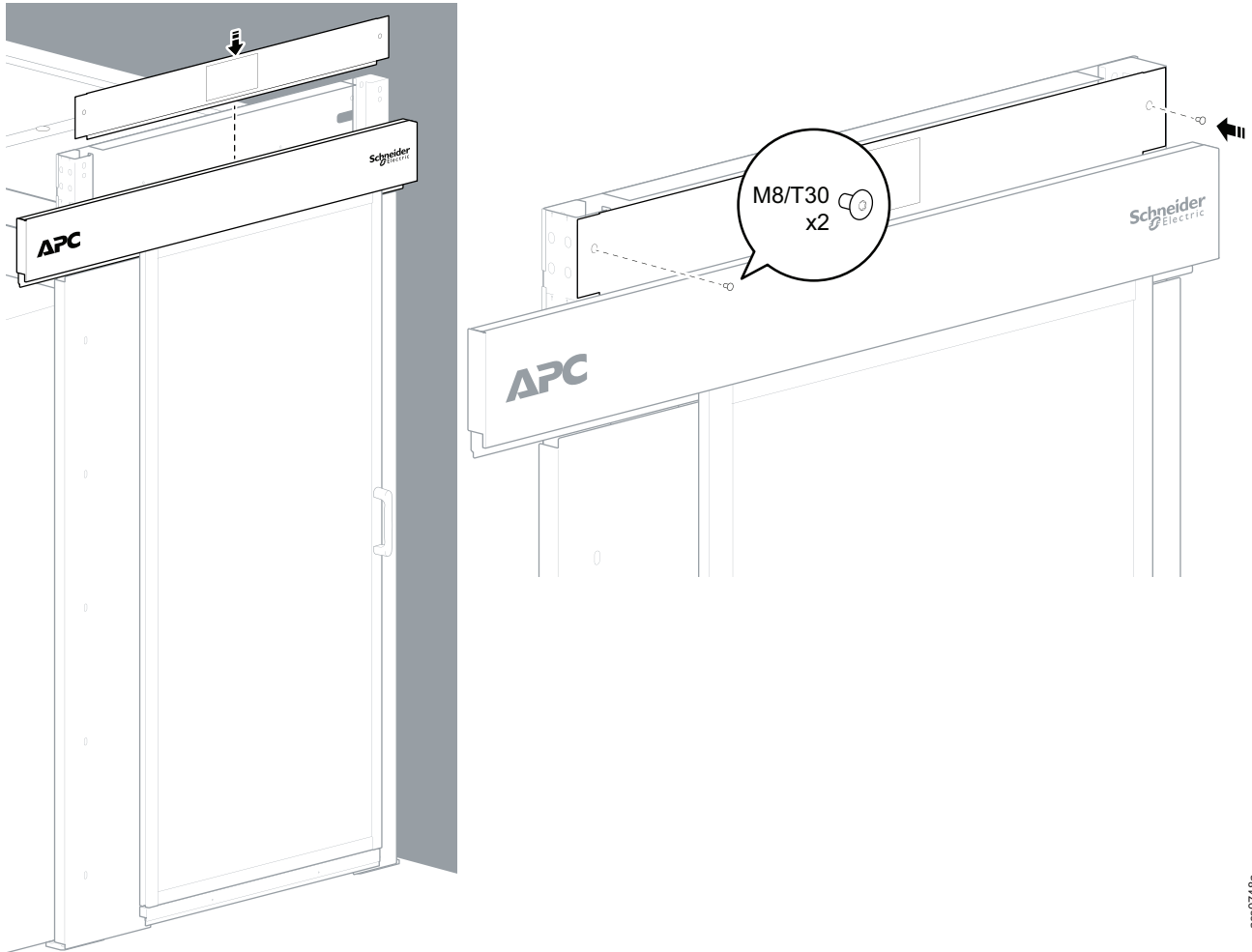
1. Re-install the cover of the hanging case with M4 screws (saved from section 2.9.3).



2. Optional step: Mount the Active Flow Controller (ACAC22000)
Remove the blanking panel, which is secured by four M4 button head screws (T20). Install the Active Flow Controller as shown.

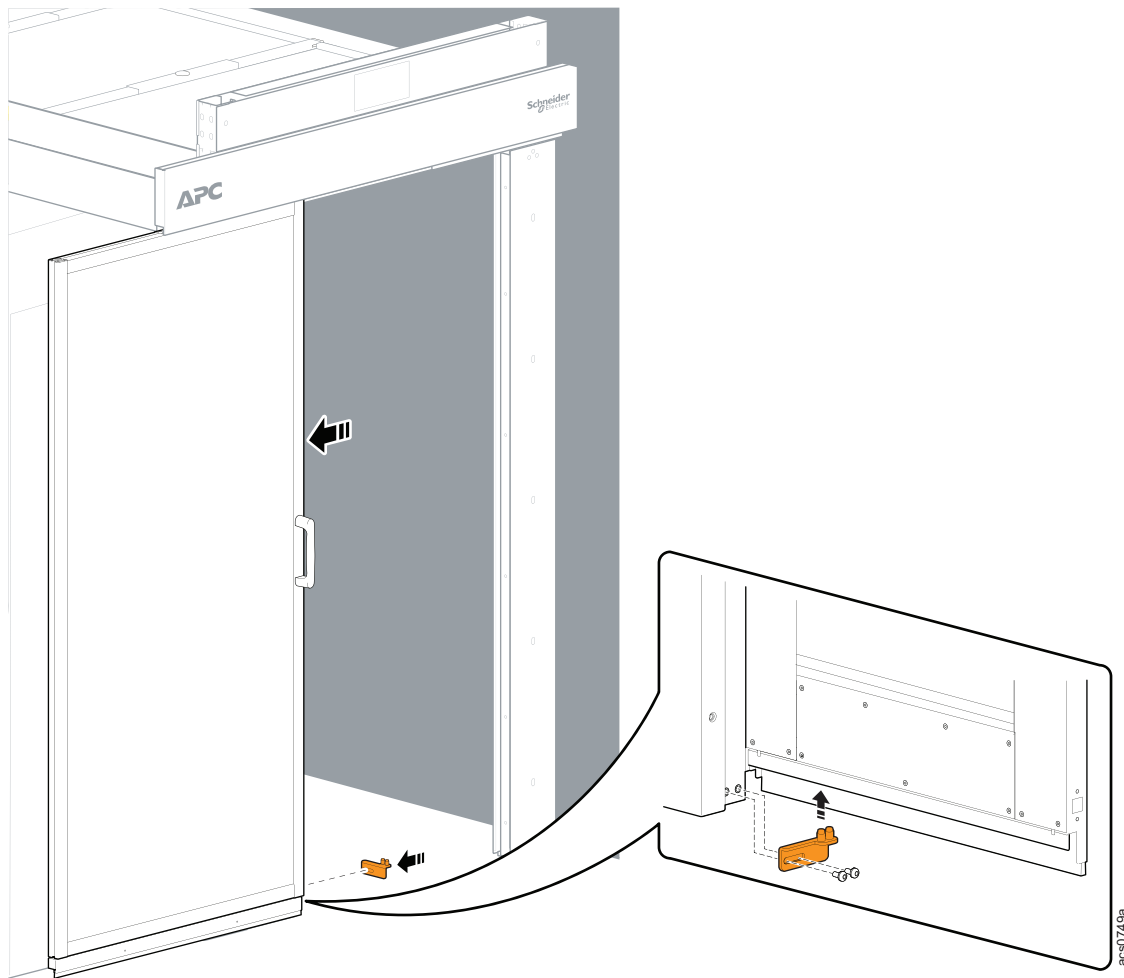


3. Secure the door header cover with two M8 low head screws (T30).



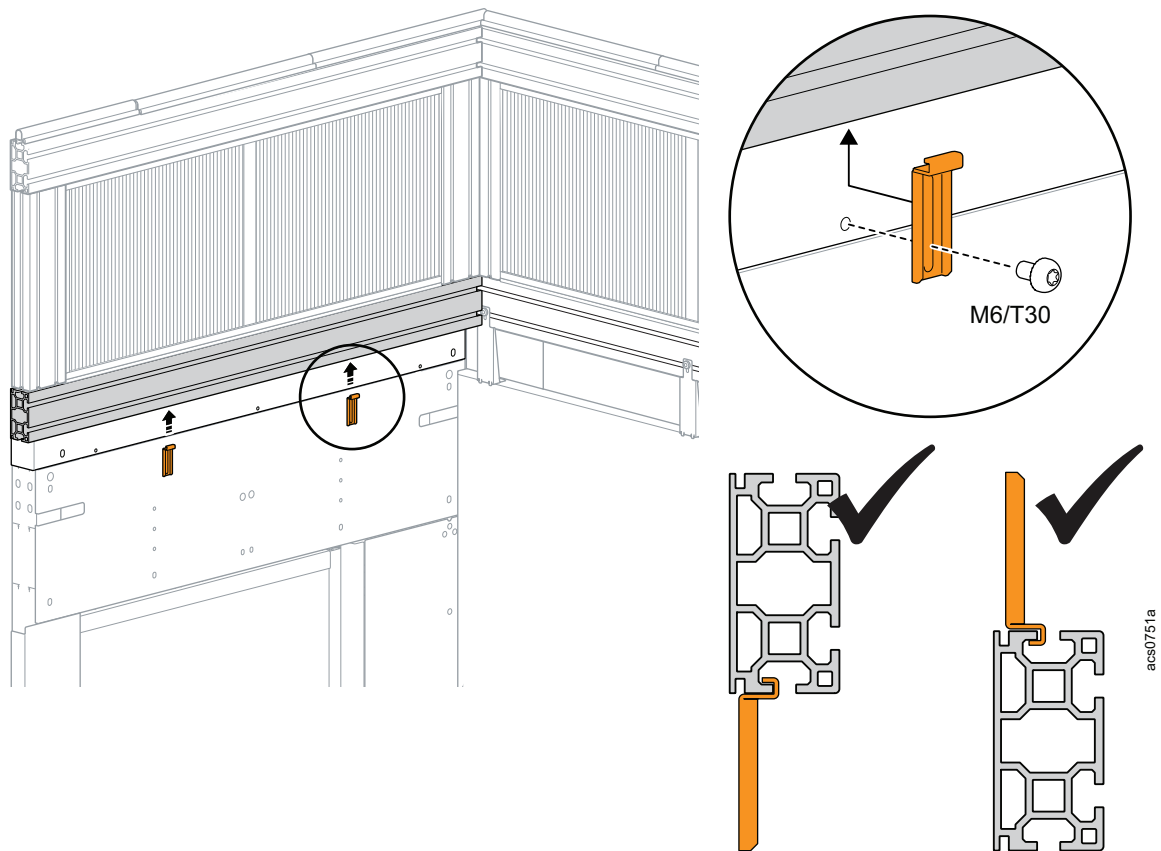
acs074.8a

4. Use two M6 pan head screws (T30) to install the sliding bracket to the bottom of the larger door post (away from the wall). The brush strips should slide through the pins as the door opens and closes.



5. Locate the mounting holes on the back of the door frame. Clip the strengthening brackets to the aisle frame so that the mounting holes are visible in the center of the bracket. Secure each strengthening bracket to the door frame with one M6 pan head screw (T30).

NOTE: You can place the strengthening above or below the aisle roof.



2.10 Install Lighting

What's in This Chapter

2.10.1 Install the LED Module..... 121
 2.10.2 Installing the Lighting Control Kit 124

Parts and tools

| Required parts | Tools required (not provided) |
|------------------------------------|--|
| Lighting Mounting Rail (NSAC2004) | Scissors |
| Mounting Rail Connector (NSAC2607) | Optional: Mitre Saw (only needed to cut lighting mounting rails) |
| LED Module (NSAC2121) | Cat 5 Ethernet cables |










The lighting assembly consists of the following:

- One or more LED Modules (NSAC2121), mounted on Lighting Mounting Rails (NSAC2004). The LED Module includes two lighting strips.
- One or more Lighting Control Boxes (NSAC2122).

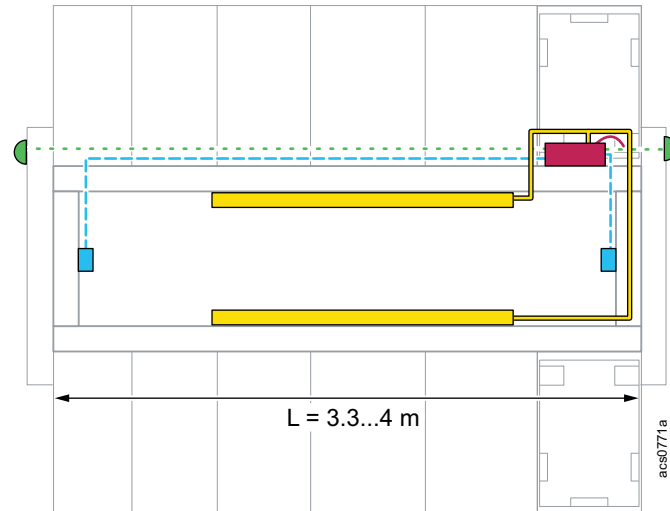
The Lighting Control Box provides power to the lighting strips. The Lighting Control Box kit includes two motion sensors, which cause the lighting strips to illuminate when motion is detected. The Lighting Control Box Kit also includes two manual switches, which turn the lighting strips off. When the lighting strips have been turned off manually, the motion sensors can turn the lighting strips on again after 10 seconds.

The following diagrams show recommended lighting configurations based on the aisle length (L). For more detailed installation instructions and configuration options, see 2.10.1 Install the LED Module, page 121 and 2.10.2 Installing the Lighting Control Kit, page 124.

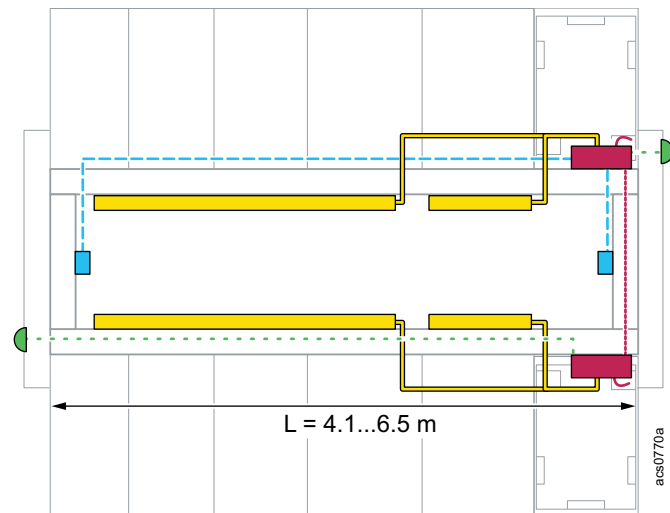
Key

-  Power cord for Lighting Control Box, 15 A, 250 V, C13 to C14
-  Cat 5 Ethernet Cable for control group communication (not provided)
-  Power connection for control box
-  Motion sensor
-  Cat 5 Ethernet Cable from motion sensor to control box (not provided)
-  Lighting Mounting Rail
-  Wire connection to LED Module
This connection consists of two wires: the cable from the LED Module, and the 24 V wire assembly included in the Lighting Control Box. The wires are connected using the wire splicing connectors included with the LED Module.
-  Manual switch
-  Cat 5 Ethernet Cable from manual switch to control box (not provided)

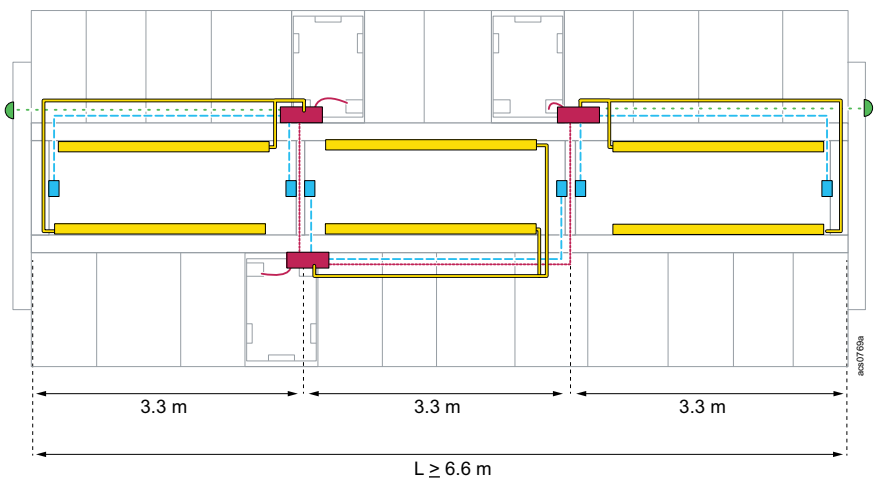
If the aisle length (L) 3.3...4 m, we recommend that you install one LED Module and one Lighting Control Box kit.



If the aisle length (L) is 4.1...6.5 m, we recommend using a combination of whole and cut LED Modules. The length of the cut modules may vary.



If the aisle length (L) is greater than 6.6 m, we recommend that you install one LED and one Lighting Control Box for every 3.3-m section of the aisle.



You can install the motion sensors (■) to the panel connectors to place them in the middle of the aisle. Install two panel connectors with motion sensor side-by-side at the end of each 3.3-m section. Arrange each motion sensor to face towards the center of a 3.3-m section.

See 2.4.2 Prepare the Panel Connectors (NSAC2151/NSAC2152), page 55 for detailed instructions to install motion sensors to the panel connectors.

2.10.1 Install the LED Module

NOTICE

HAZARD OF EQUIPMENT DAMAGE

- Do not shake the LED Lighting Strip, especially within 150 mm (5.9 in) of the wired end.
- Do not step on the LED Lighting Strip.
- Do not bend the LED Lighting Strip at an acute angle.
- Press the LED Lighting Strip into place with your palm, not with a single finger.
- Do not tightly twist the LED Lighting Strip. Some gentle twisting is acceptable during installation.
- Ensure that the LED Lighting Strip is fully supported after installation. Do not allow any part of the LED Lighting Strip to hang in the air. Do not suspend the LED Lighting Strip from one end.

Failure to follow these instructions can result in equipment damage.

Specifications for LED Module (NSAC2121)

| | |
|------------------------------------|------------------|
| Length (per strip) | 3 m |
| Input voltage | 24 Vdc |
| Current | 1.25 A |
| Correlated Color Temperature (CCT) | 6,500 K |
| Useful luminous flux | 1,100 lm / 0.5 m |
| Total luminous Flux (per strip) | 3,300 lm / 3 m |
| Color Rendering Index (CRI) | >80 |

Parts and tools

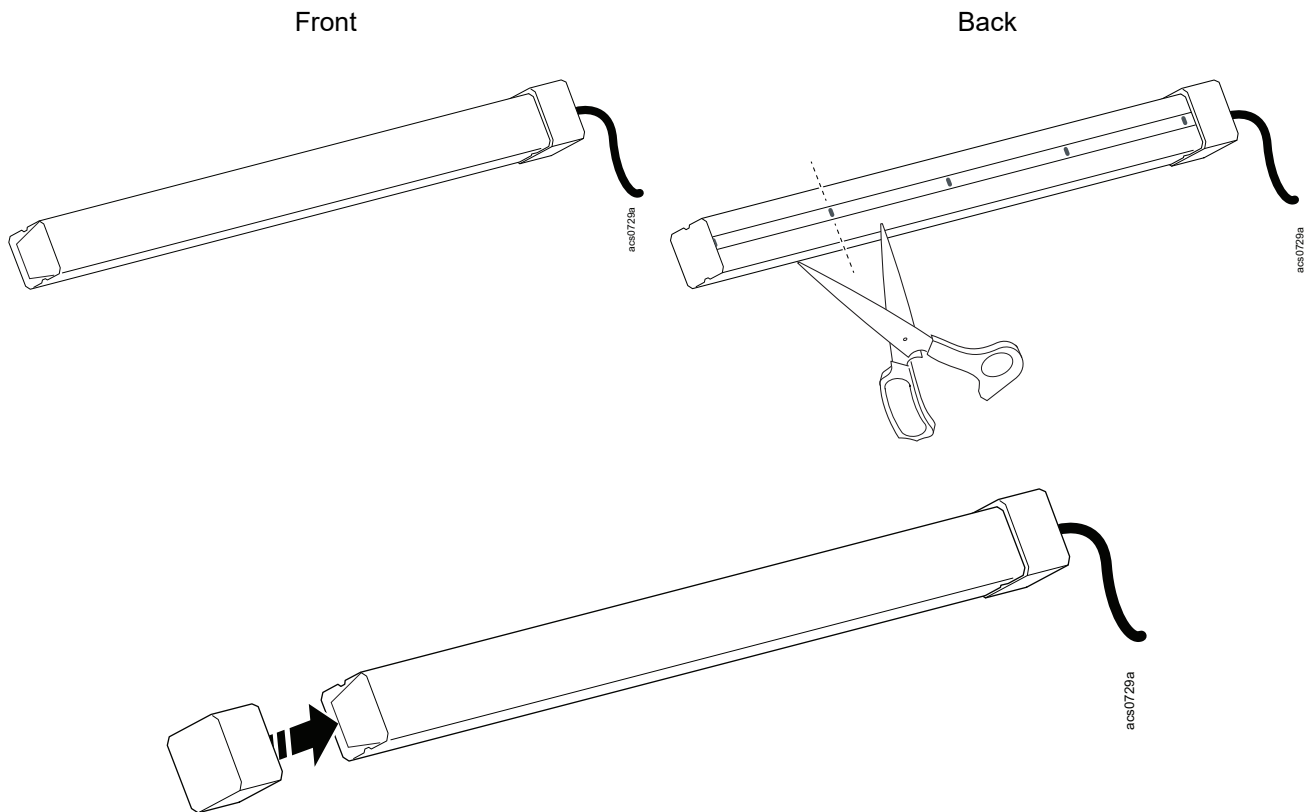
| Required parts |
|-------------------------------------|
| LED Module (NSAC2121) |
| Lighting Mounting Rail (NSAC2004) |
| Mounting Rail Connectors (NSAC2607) |

| Tools required (not provided) |
|-------------------------------|
| Scissors |

Installation Procedure

1. The front of the LED Lighting Strip is a smooth luminous surface. The back contains a transparent strip with cutting markers.

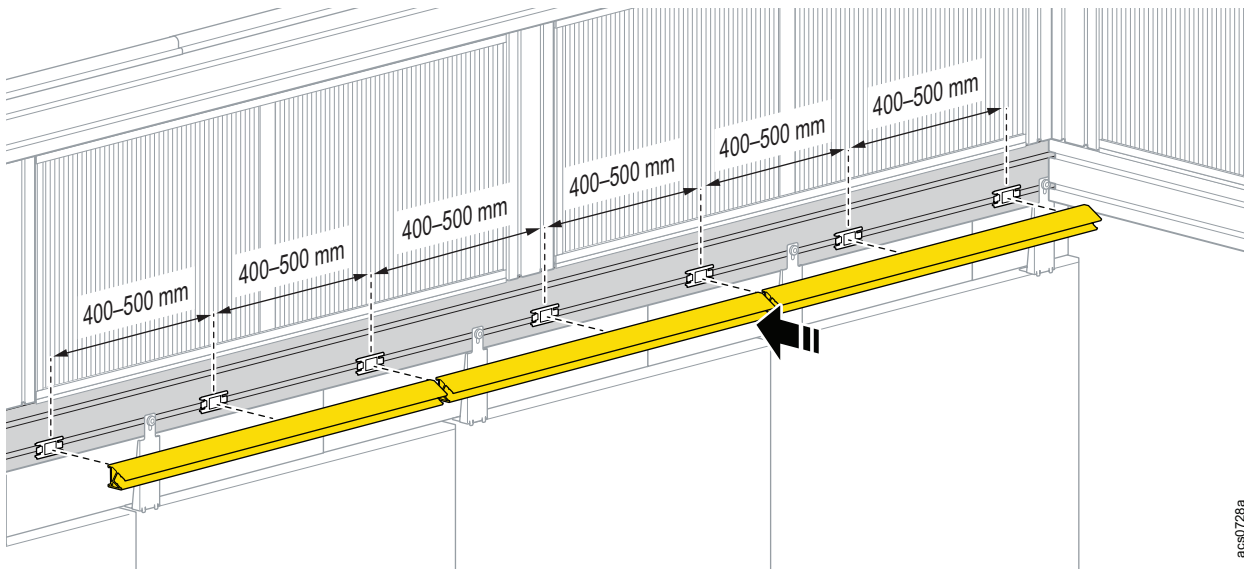
If needed, cut the LED Lighting Strip with scissors, then slide the end cap onto the end. Always keep the part of the LED Lighting Strip with the power cord attached.



NOTE: You cannot connect two LED Lighting Strips together.

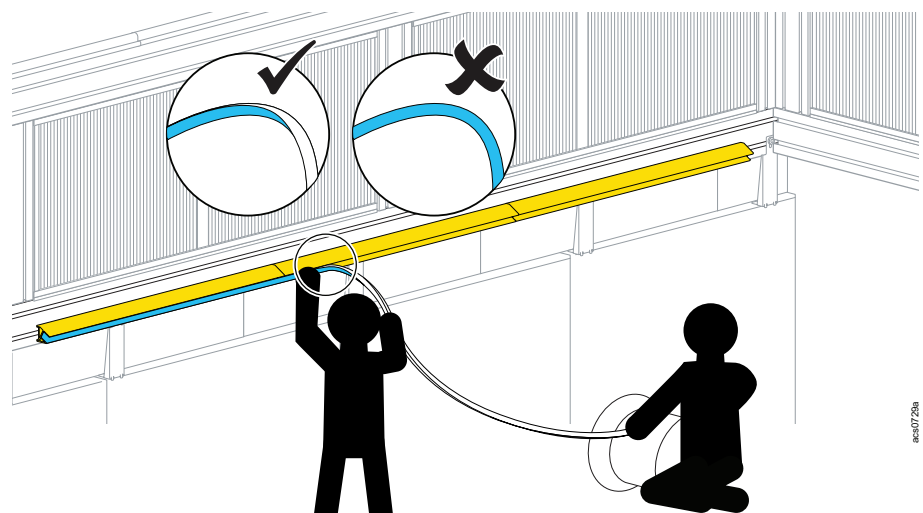
2. Use the Mounting Rail Connectors to install the Lighting Mounting Rails onto the lower groove of the horizontal roof frame.
 - Place the Mounting Rail Connectors 400...500 mm (15.7...19.6 in) apart.
 - Place one connector at the junction between two mounting rails.
 - You can install Lighting Mounting Rails over the Cabinet Install Brackets.

IMPORTANT: The Lighting Mounting Rail comes in a standard length of 1 m (3.28 ft.). The number of Lighting Mounting Rails depends on the length of the LED Lighting Strip that is to be installed.

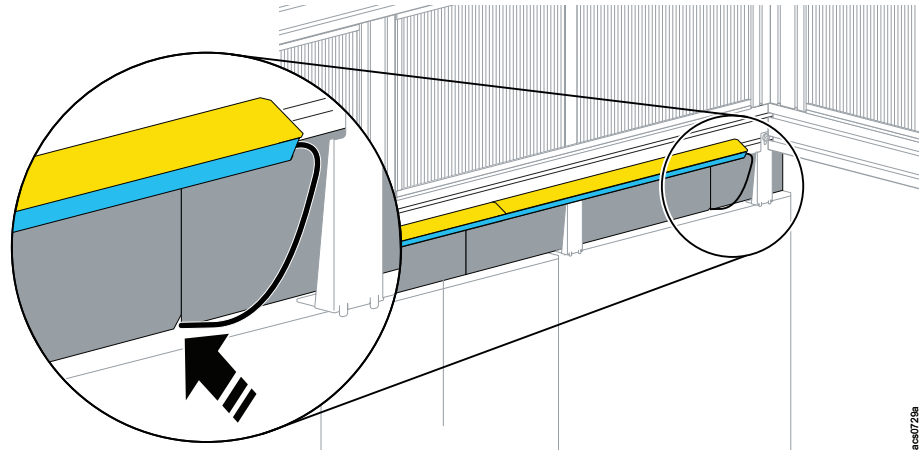


3. Use two people to install the LED Lighting Strip. Have one person hold the reel and slowly roll out the LED Lighting Strip. Have second person use their entire palm to slowly press the strip into the mounting rail with the illuminated surface facing outwards.

NOTE: Do not bend the luminous surface sideways. Gently twist the LED Lighting Strip instead.



4. Route the power cable through the Cabinet Seals to the Lighting Control Box.



acc0728a

2.10.2 Installing the Lighting Control Kit

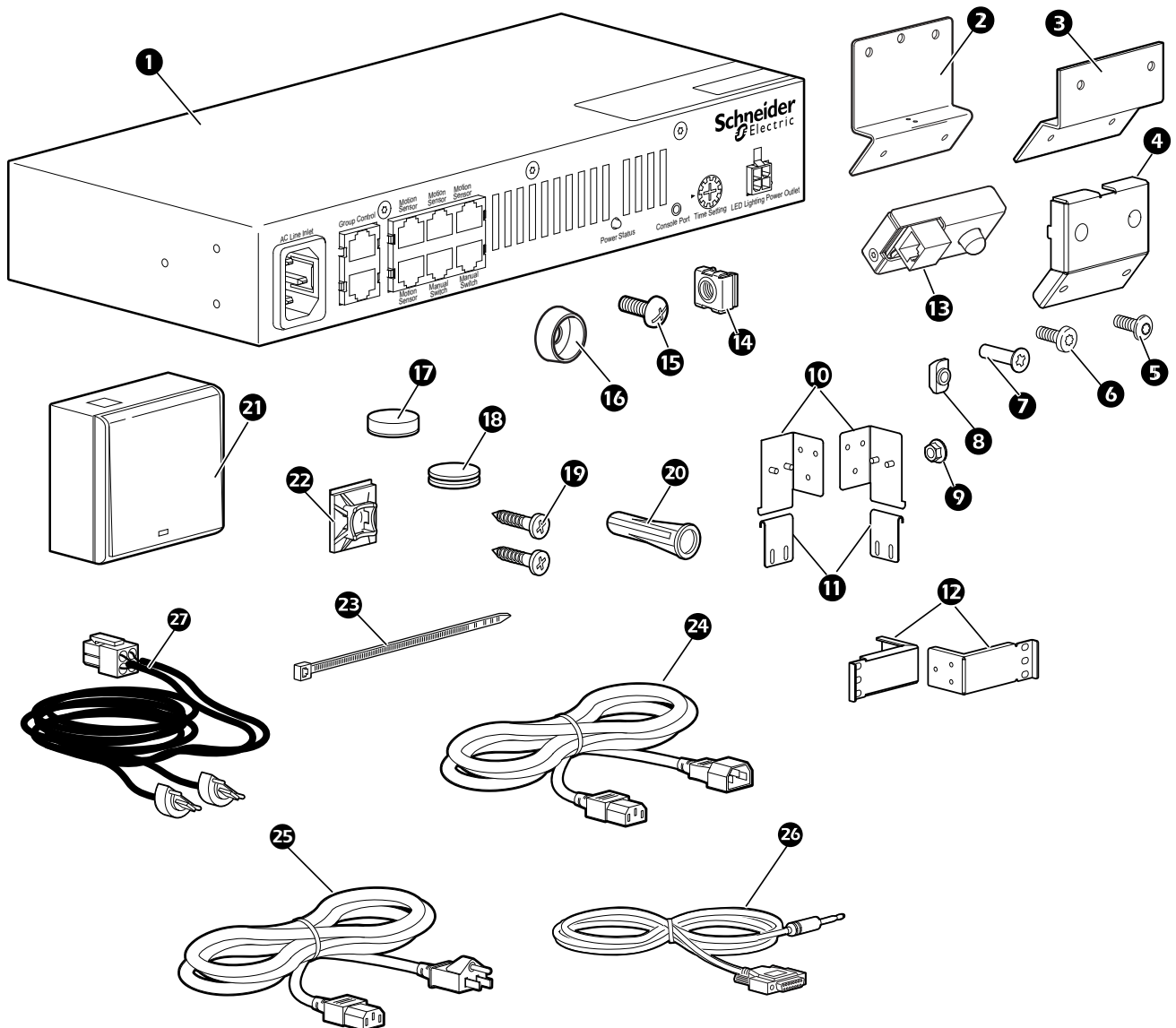
⚠ DANGER

ELECTRIC SHOCK HAZARD

Do not use an extension cord with this product.

Failure to follow these instructions will result in death or serious injury.

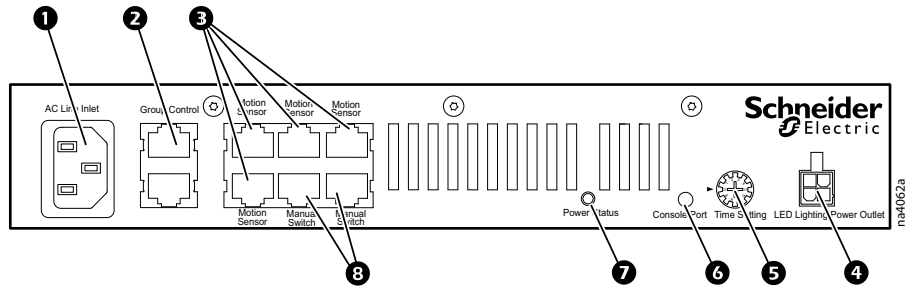
2.10.2.1 Component Identification



| Item | Description | Quantity | Item | Description | Quantity |
|------|--|----------|------|---------------------------------------|----------|
| 1 | Lighting control unit | 1 | 15 | Phillips screw, M6 X 16 | 4 |
| 2 | Motion sensor mounting bracket (for NetShelter Pod Containment) | 2 | 16 | Cup washers | 4 |
| 3 | Motion sensor mounting bracket (for NetShelter Aisle Containment sliding door) | 2 | 17 | Magnets, manual switch | 8 |
| 4 | Motion sensor mounting bracket | 2 | 18 | Hook and loop fastener, manual switch | 8 |
| 5 | TORX, screw, M4 X 8 mm | 8 | 19 | Wood screw - #6 X 3/4 - Phillips | 4 |
| 6 | TORX screw, thread forming, M4 X 8 mm | 6 | 20 | Wall anchor | 4 |
| 7 | Phillips screw M5 X 20 | 4 | 21 | Manual switch | 2 |
| 8 | Hammer head nut M5 | 4 | 22 | Wire tie cable holder | 45 |
| 9 | Kep nut M5 | 4 | 23 | Wire tie | 45 |
| 10 | Lighting control unit mounting brackets | 2 | 24 | Power cord, 15 A, 250 V, C13 to C14 | 1 |
| 11 | Lighting control unit mounting hook | 2 | 25 | Power cord, 15 A, 125 V, C13 to 5-15P | 1 |

| | | | | | |
|-----------|--|---|-----------|------------------------------------|---|
| 12 | Lighting control unit mounting brackets (for NetShelter Pod Containment) | 2 | 26 | Console port to DB9F cable, 2.5 mm | 1 |
| 13 | Motion sensor | 2 | 27 | Wire assembly, 24 V power | 1 |
| 14 | Caged nut, M6 | 4 | | | |

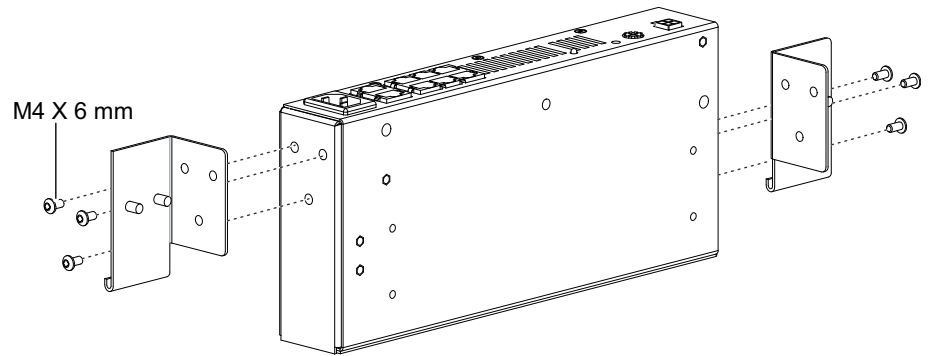
2.10.2.2 Physical Description



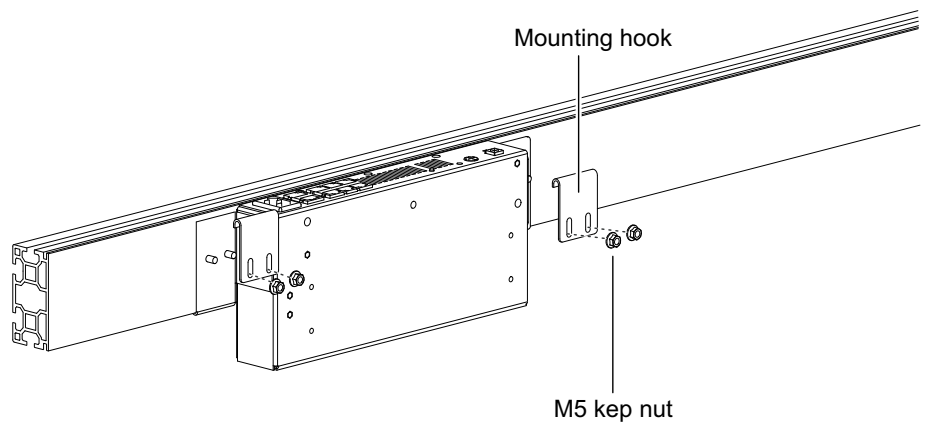
| Item | Description | Item | Description |
|----------|-------------------------|----------|-------------------------|
| 1 | AC line inlet | 5 | Time setting |
| 2 | Control group | 6 | Console port |
| 3 | Motion sensor input (4) | 7 | Power status |
| 4 | LED light power outlet | 8 | Manual switch input (2) |

2.10.2.3 Instal the Control Unit

1. Install the mounting brackets onto the lighting control unit.



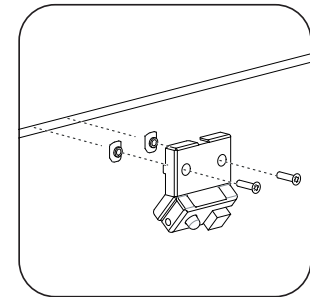
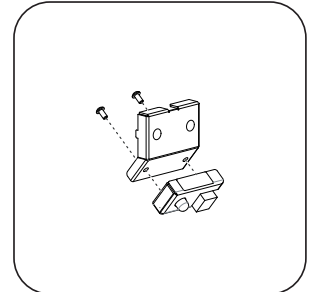
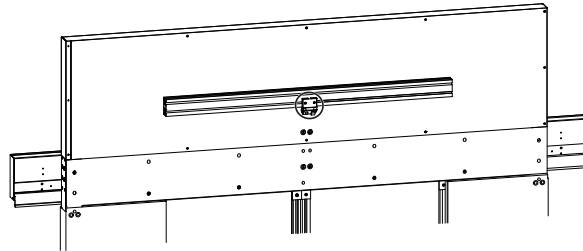
2. Attach the lighting control unit to the length frame extrusion using the mounting hook and M5 kep nuts. Make sure the hanging ear of the mounting hook is completely inserted into the groove in the length frame extrusion.



2.10.2.4 Install the Motion Sensors

Install motion sensors onto the frame extrusions placed across each end of the aisle. Make sure each sensor is at the center of the doorway. If your containment aisle is longer than 6.6 m (21.65 ft.), install an additional motion sensor at the center of an interior frame extrusion every 6.6 m (21.65 ft).

1. Attach the bracket to the motion sensor using two M4 X 6 screws.
2. Install the motion sensor with the bracket onto the groove in the width frame extrusion, using two M5 X 20 Phillips screws and two M5 hammer head nuts.

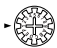


2.10.2.4 Lighting System Setup and Operation

Motion detection. One lighting control unit can support four motion sensors. If any of the sensors detect movement, the lighting control unit will turn on its LED lighting bank.

NOTE: The motion sensor’s range, or sensitivity, cannot be adjusted.

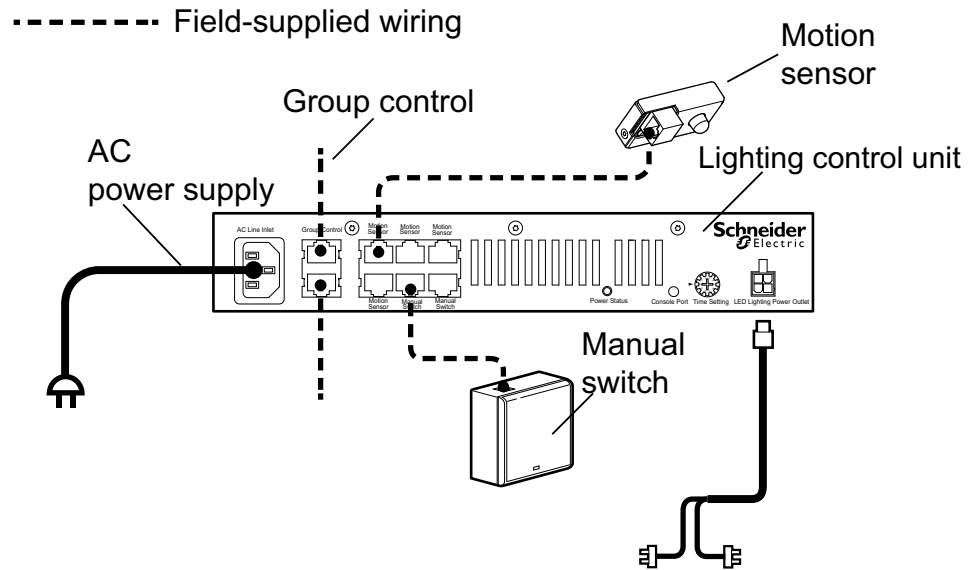
Time setting. The time setting control is used to control the length of time the LED lighting bank will be ON. If the motion sensor is triggered during the ON cycle, the timer will be restarted. The LED lights can be turned OFF using the manual switch.

|  | Time setting | 0 | 1 | 2 | 3 | 4 | 5 | 6 | 7 | 8 | 9 | A | B | C | D | E | F |
|---|------------------------|---|---|-----|-----|-----|-----|-----|-----|-----|-----|-----|-----|-----|-----|-----|-----|
| | LED ON delay (minutes) | 1 | 5 | 1-0 | 1-5 | 2-0 | 2-5 | 3-0 | 3-5 | 4-0 | 4-5 | 5-0 | 5-5 | 6-0 | 6-5 | 7-0 | 7-5 |

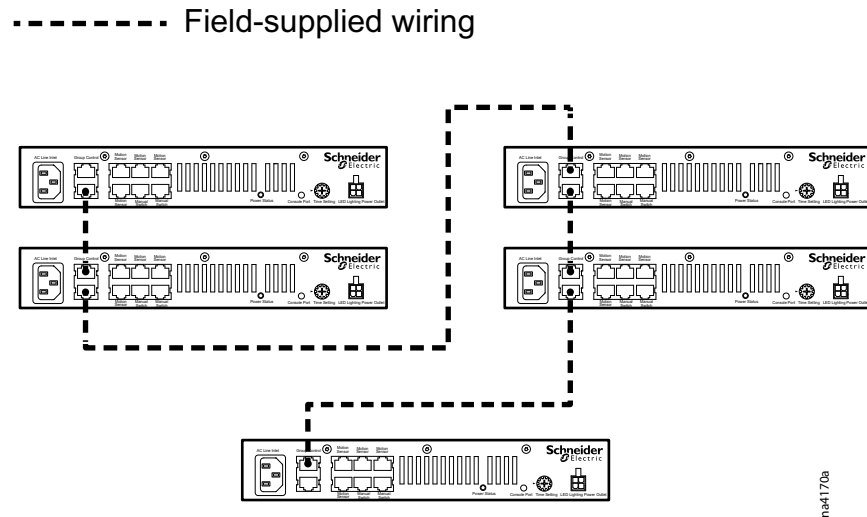
Manual switch. Pressing a manual switch will turn off the lights in its group, and the motion sensor function becomes inactive for 10 seconds. After 10 seconds, the motion sensor will once again become active and take over the control.

Power status indicator. The power status indicator illuminates when power is supplied to the unit and its is functioning normally.

2.10.2.5 Lighting Kit Schematic Overview

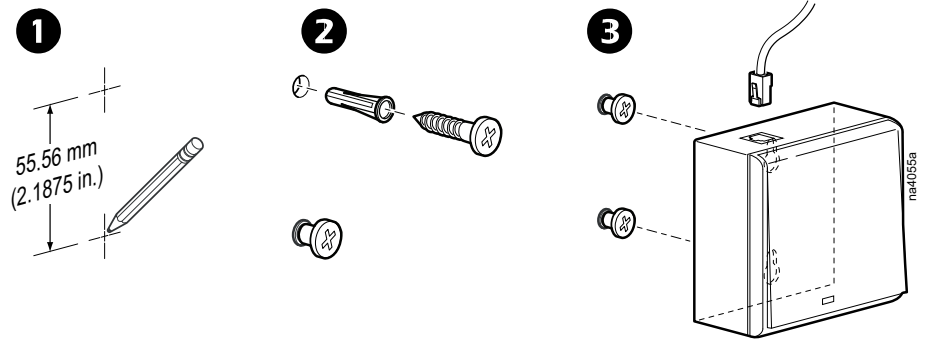


A maximum of five (5) controllers can be connected together via the Group Control connection ports.

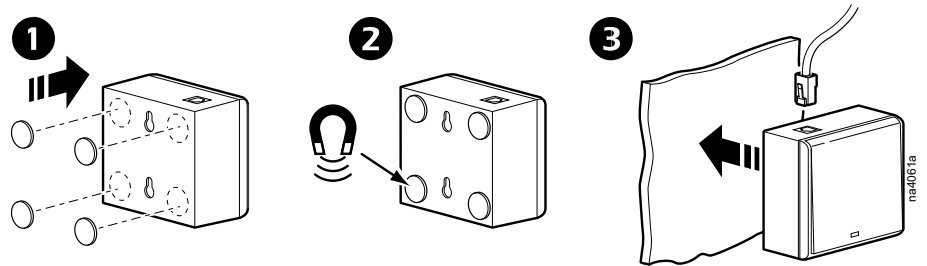


The manual switch can be located inside or outside of the containment area and should be attached to a surface using one of the three (3) methods shown below.

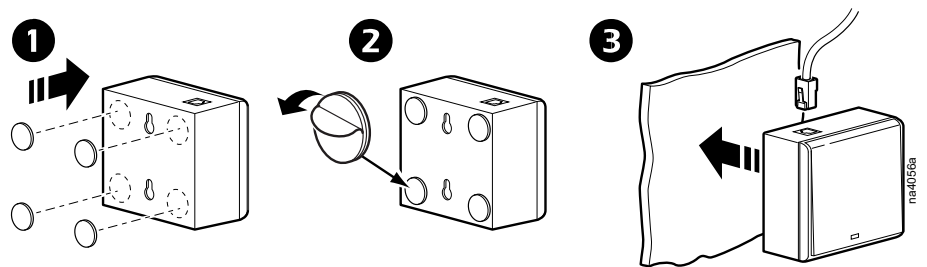
- Fastener method:



- Magnet method:



- Hook-and-loop method:



3 Adaptations for Other Containment Systems

What's in This Part

| | |
|--|-----|
| 3.1 NetShelter Pod Containment System | 132 |
| 3.2 NetShelter Aisle Containment System Curtain Doors..... | 145 |

3.1 NetShelter Pod Containment System

What's in This Chapter

- 3.1.1 Raised Floor Stands and Post Alignment Tools 132
- 3.1.2 Stop Rail Assembly 132
- 3.1.3 Installing a Vertical Duct to the NetShelter Pod Containment System 133

3.1.1 Raised Floor Stands and Post Alignment Tools

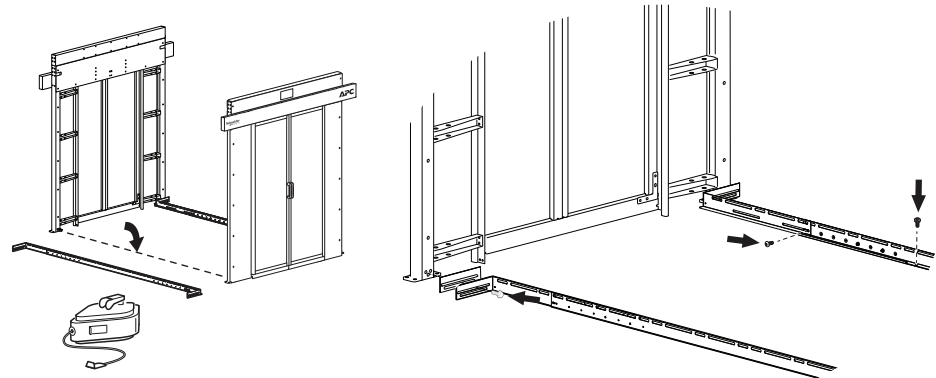
FS-FM-600●-B, FS-FM-1011-U, FS-FM-1012-U

The feet of the door posts are compatible with the Raised Floor Stands and Post Alignment Tools of the NetShelter Pod Containment System. Follow the installation instructions for the NetShelter Pod Containment Aisle to install the Raised floor stands. Follow the installation instructions in this manual to install the door: 2.9 Install a Single Sliding Door , page 97 or 2.8 Install a Dual Sliding Door, page 84.

3.1.2 Stop Rail Assembly

FS-FM-5001-B

Both door assemblies (NSAC2401, NSAC2402) are compatible with the Stop Rails of the NetShelter Pod Containment System **only** when the aisle length is 2,400...3,610 mm. Follow the installation instructions for the NetShelter Pod Containment Aisle.



3.1.3 Installing a Vertical Duct to the NetShelter Pod Containment System

3.1.3.1 Construct the Frame

Parts and tools

| Required parts |
|--|
| Frame Extrusions and End Covers (NSAC2001) |
| L Connectors (NSAC2601) |
| Interior Connectors (NSAC2603) |
| Straight Connectors (NSAC2608) |
| Roof Brackets for POD Containment (NSAC2610) |

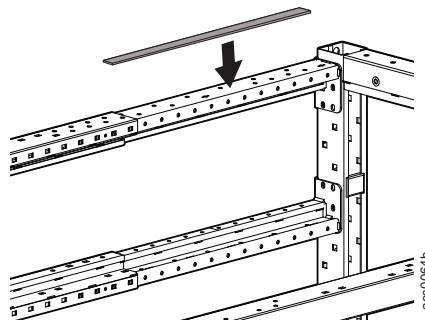
| Required NetShelter Pod Containment Parts |
|--|
| Snap-in Nuts included with NetShelter Pod assemblies |
| Pre-assembled frame and end caps. |

| Tools required (not provided) |
|-------------------------------|
| Mitre saw |
| Metal file for de-burring |

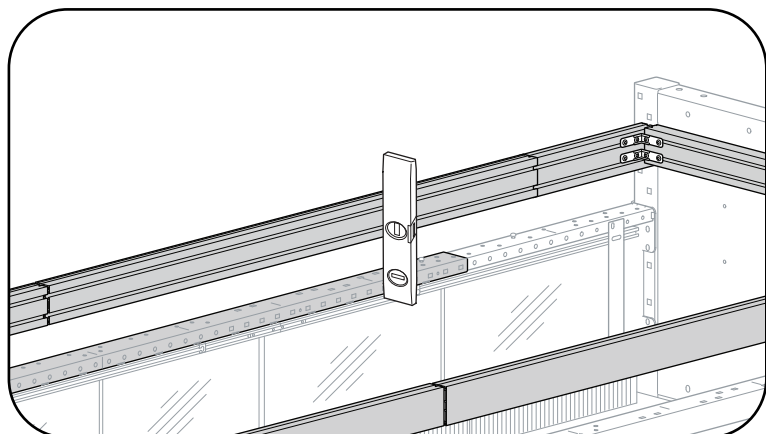
Overview:

Procedure

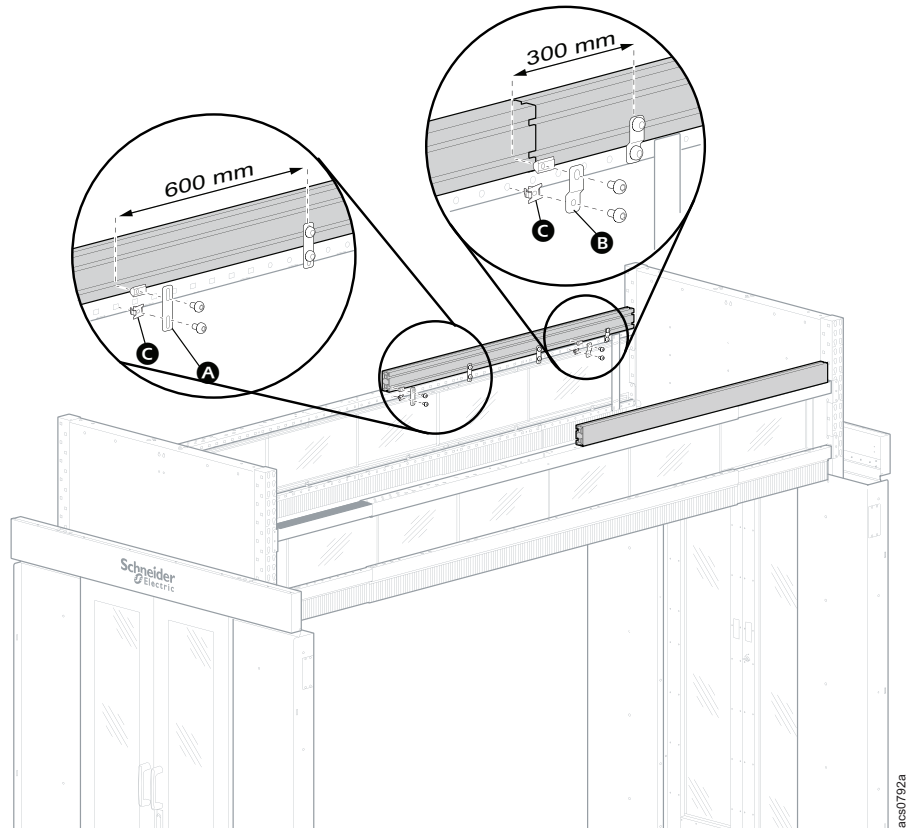
1. The inserts of the length beams are smaller than the main portion of the beams. If the inserts are extended, place self-adhesive foam on top of the inserts so that the vertical duct has an even surface to rest on.



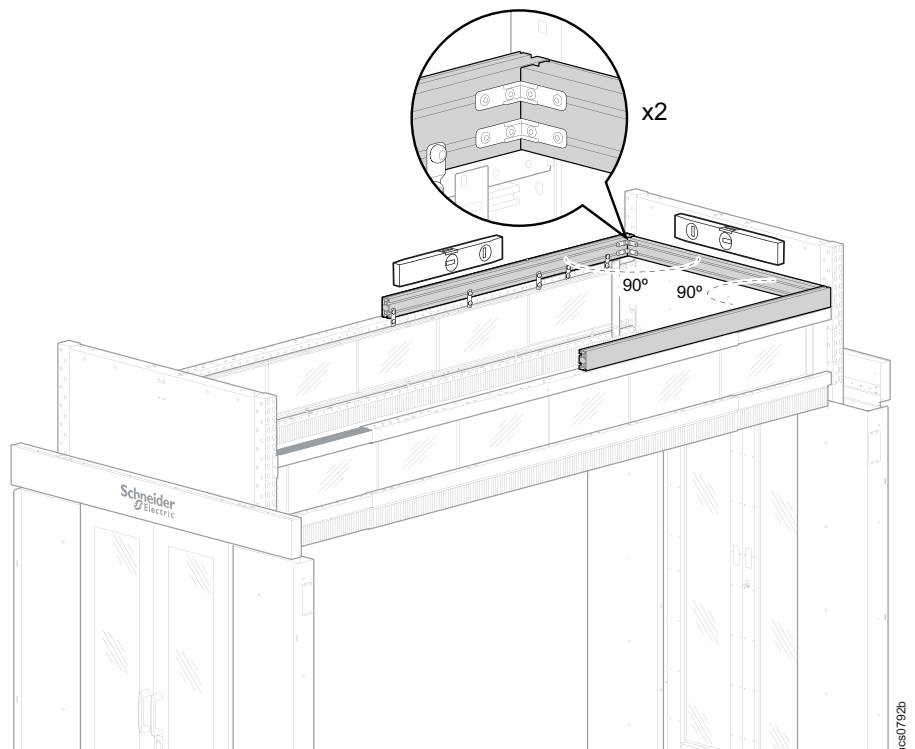
2. Measure the dimensions of the vertical duct needed. The inside of the vertical duct should align with the inside of the main length beams and the end caps.



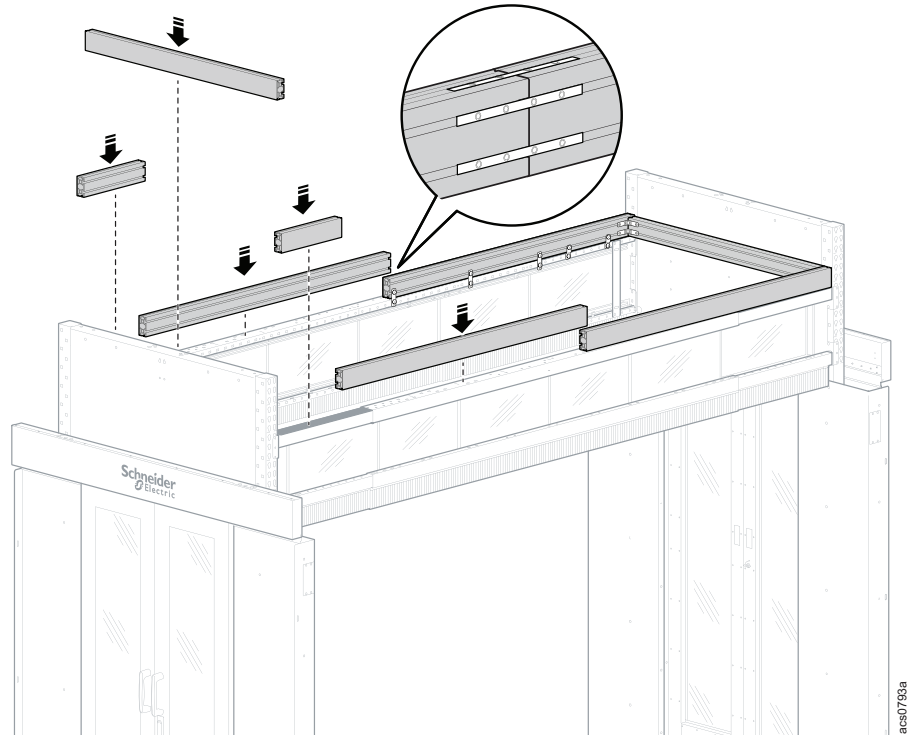
- Secure two frame extrusions to the length beams of the NetShelter Pod Containment system with beam connectors (A) and staggered connectors (B). Beam connectors should be placed 600 mm apart, and staggered connectors should be placed 300 mm apart. Use the snap-in nuts (C) included with the NetShelter Pod assemblies to secure the connectors to the length beams.



- Secure a frame extrusion across the width of the aisle with two interior connectors at each corner. Ensure that the frame extrusions are level and the corners are square.

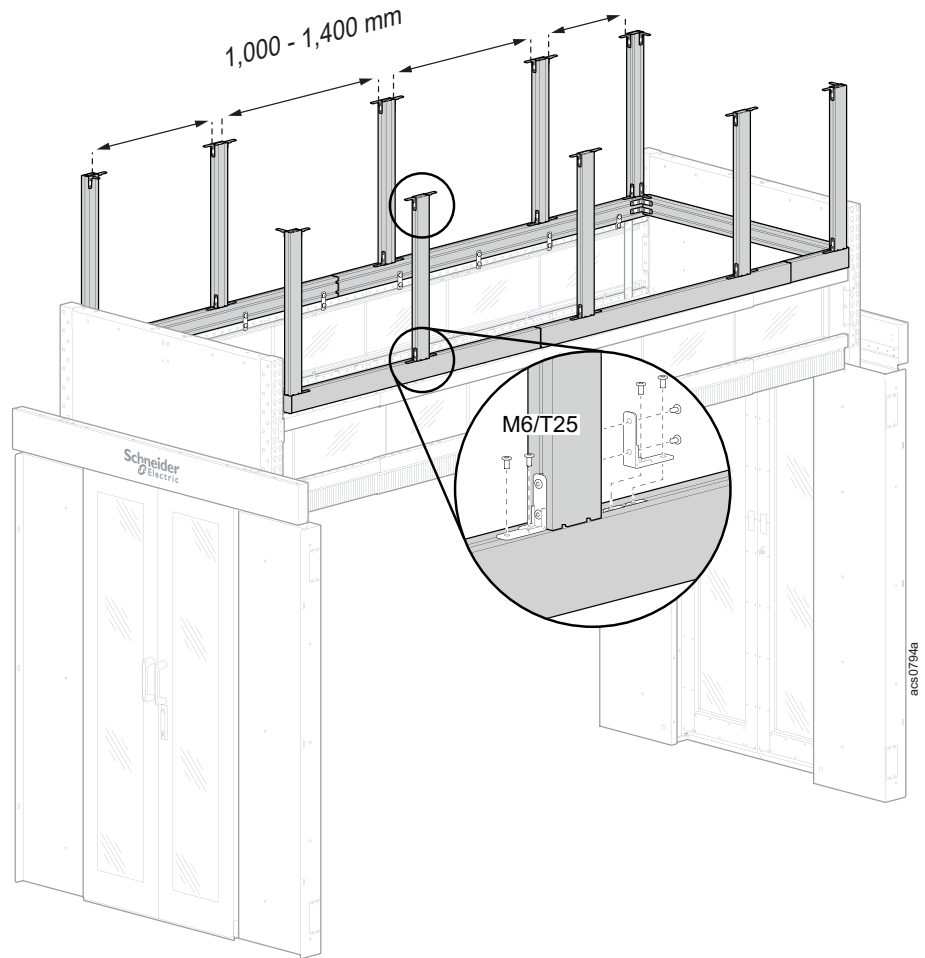


5. Continue installing frame extrusions across the rest of the aisle containment solutions as shown in steps 3 and 4. Use straight connectors to join adjacent frame extrusions.

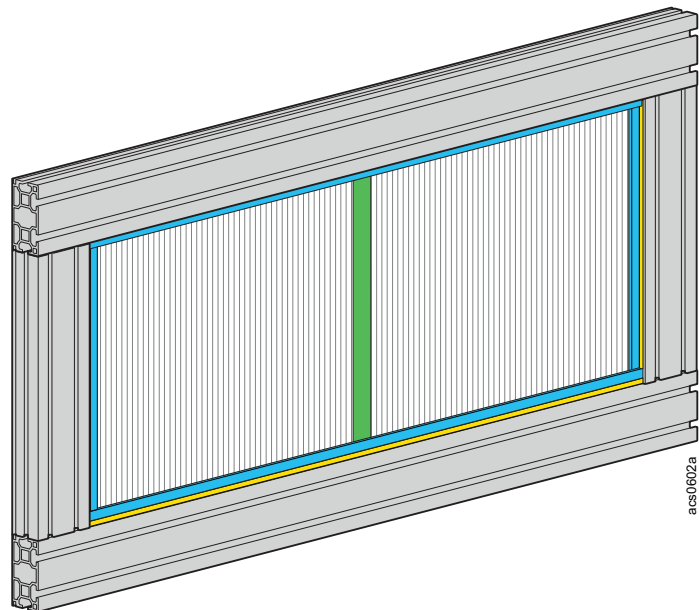


6. Level and square the completed horizontal roof frame.

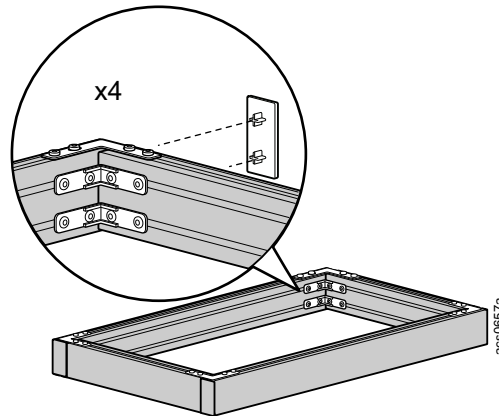
- 7. Place vertical frame extrusions 1,000...1,400 mm apart. Secure each frame extrusion to the horizontal roof frame with two interior brackets. Secure two more interior brackets to the top of each frame extrusion.



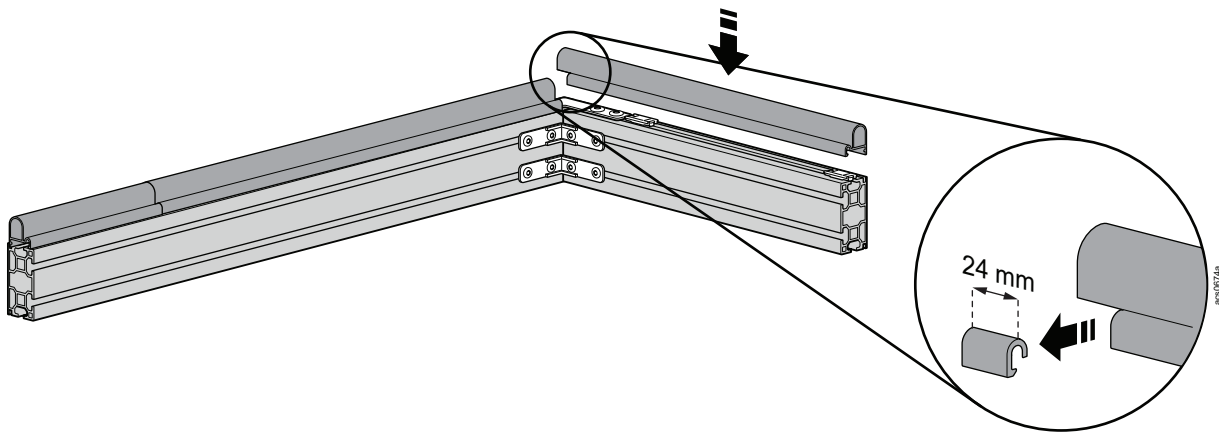
NOTE: You can minimize the cuts needed by placing 1,328 mm of space between frame extrusions. This space fits two Multi Wall Panels (644 mm each) in the open space without cuts along the vertical length.



8. The top of the vertical duct is a horizontal roof frame with one L Connector, two interior brackets, and one frame extrusion cover at each corner.

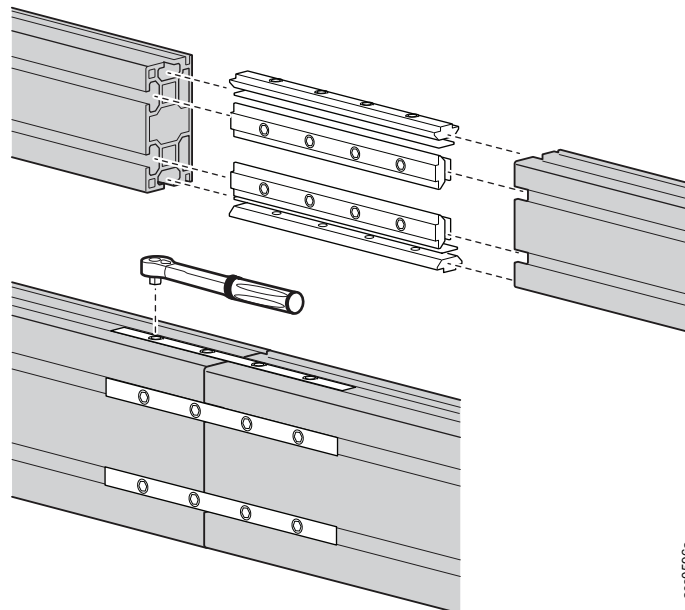
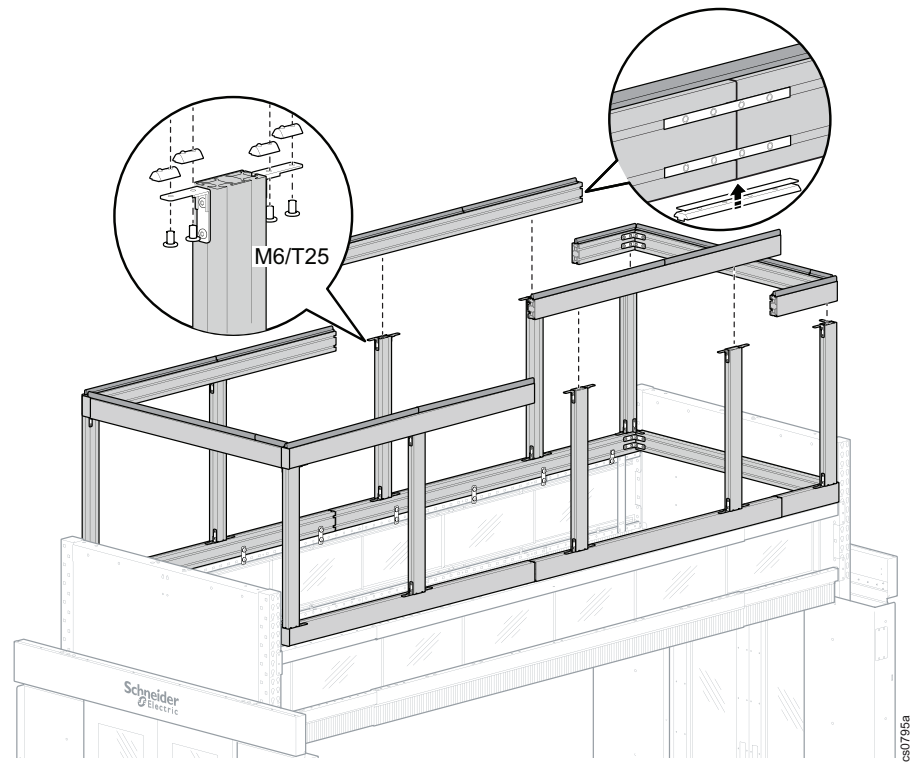


The top horizontal roof frame also has Seal Coextrusions (NSAC2006) installed to seal the vertical duct against the ceiling. At each corner where two Coextrusions meet, cut 24 mm (0.9 in) away from the short part of ONE Coextrusion. This allows the Coextrusions to fit together.



Assemble the corner pieces on the floor, and install the Seal Coextrusions to each of the middle Frame Extrusions.

9. Use the interior brackets to secure the corner pieces to the vertical frame extrusions. Then continue installing and securing the middle pieces, one at a time. Use straight connectors to secure the frame extrusions to each other as you install each piece.



If needed, use your hands to compress the Seal Coextrusions while placing the frame extrusions. Then release the seals once the horizontal roof frame is in place.

3.1.3.2 Joining Pod Containment Sections

Parts and tools

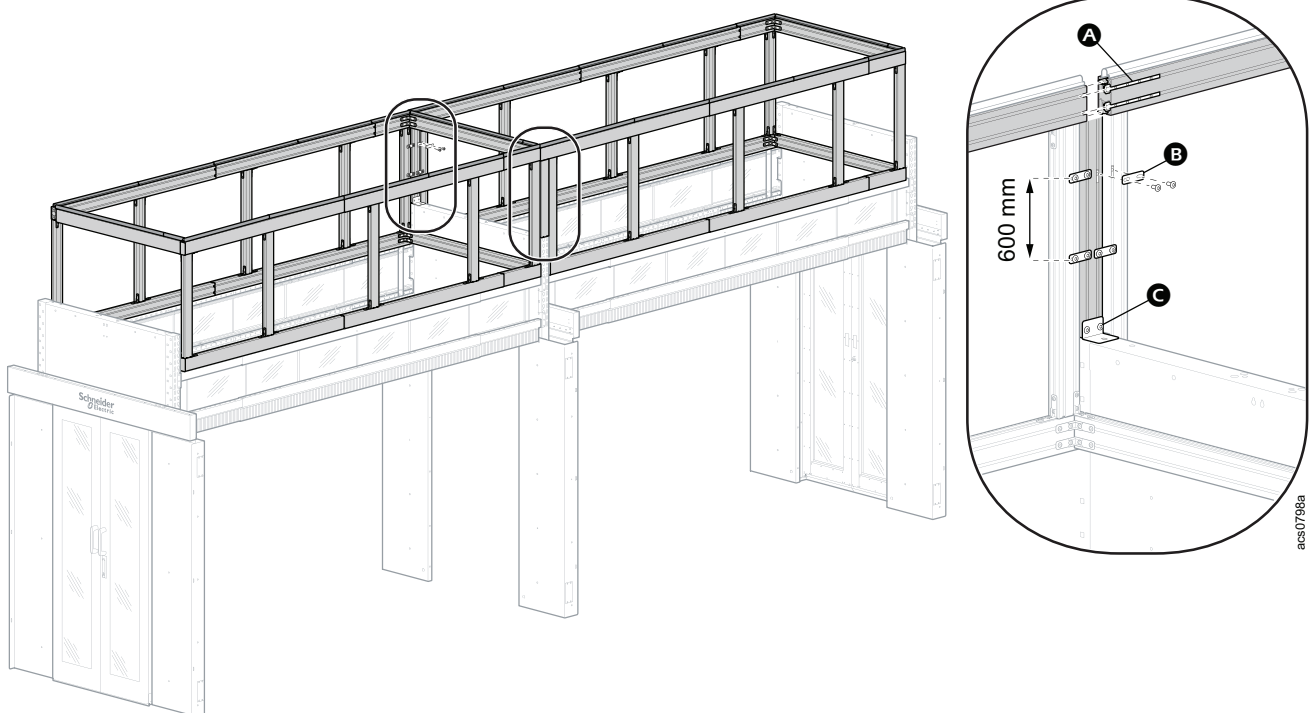
| Required parts |
|--|
| Frame Extrusions and End Covers (NSAC2001) |
| Interior Connectors (NSAC2603) |
| Straight Connectors (NSAC2608) |
| Roof Brackets for POD Containment (NSAC2610) |

| Required NetShelter Pod Containment Parts |
|--|
| Snap-in Nuts included with NetShelter Pod assemblies |
| Pre-assembled frame and end caps. |

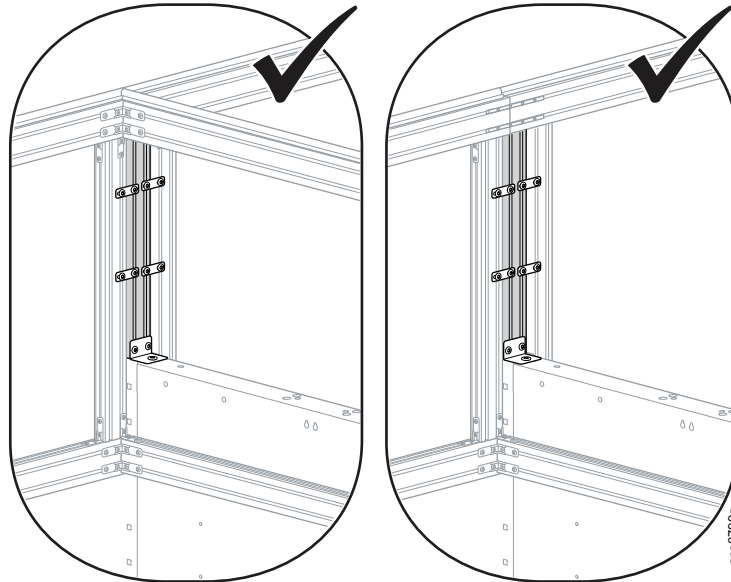
| Tools required (not provided) |
|-------------------------------|
| Mitre saw |
| Metal file for de-burring |

If you have multiple pod containment systems, close the gap between sections of vertical duct with a frame extrusion.

- Join the top frame extrusions with straight connectors (A)
- Secure the frame extrusion to the adjacent frame extrusions with beam connectors (B), placed 600-mm apart.
- Secure the frame extrusion to the width beam with the width-beam connector (C)



You can optionally install a frame extrusion across the width of the aisle. This will allow you to install interior panels to block airflow from one section of the aisle to another.



acs0799a

3.1.3.3 Install the Panels

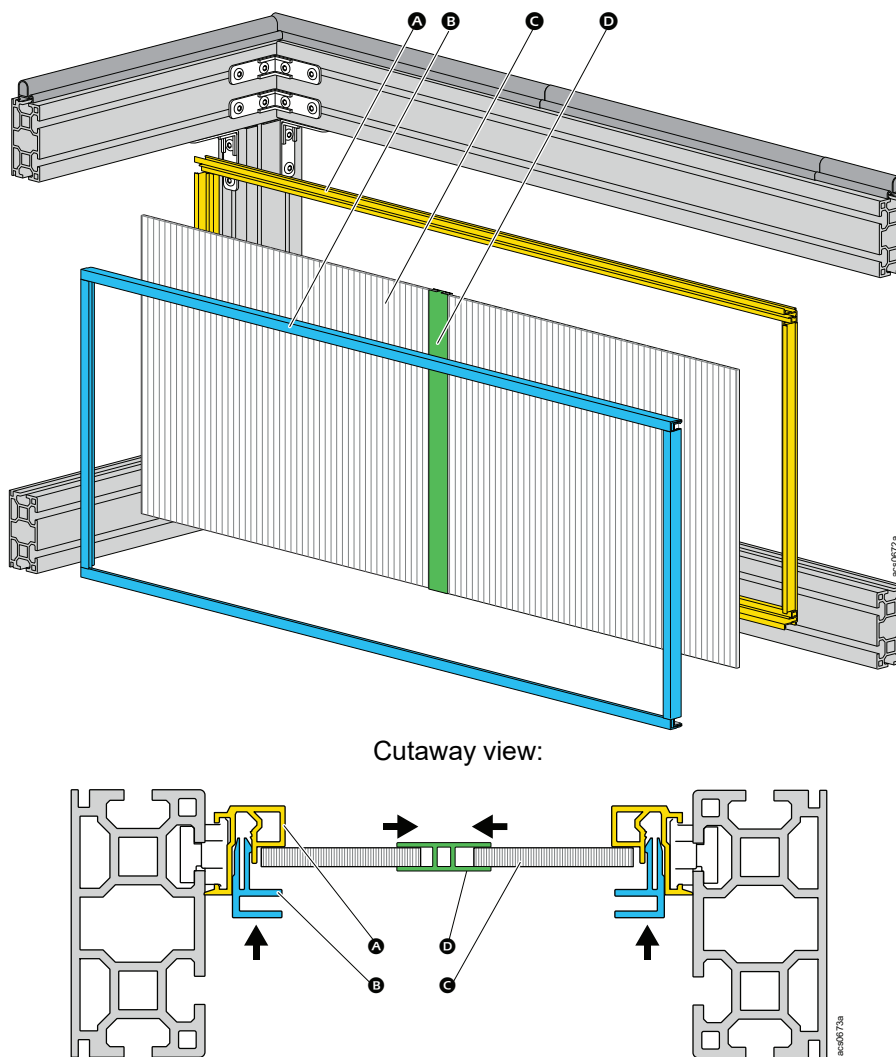
Parts and tools

| Required parts |
|--|
| Multi Wall Panels (NSAC2101 or NSAC2102) |
| Plastic Panel Connectors (NSAC2153) |
| Panel Mounting Rails (NSAC2002) |
| Mounting Rail Connectors (NSACS2607) |

| Tools required (not provided) |
|--|
| Utility knife and T-square, or Mitre saw |
| Metal file for de-burring |

1. Install part **A** of the Panel Mounting Rails.
2. Place the cut pieces of Multi Wall Panel **C** against the inner ledge of the Panel Mounting Rails.
3. Insert part **B** of the Panel Mounting Rails to secure the Multi Wall Panels.

If frame holds two or more pieces of Multi Wall Panel, join the pieces with a Plastic Panel Connector **D**.



3.1.3.4 Install the Panel Connectors

Parts and tools

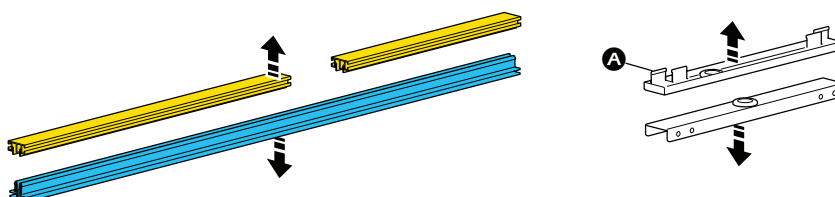
| Required parts |
|---|
| Panel Connectors (NSAC2151 or NSAC2152) |

| Tools required (not provided) |
|-------------------------------------|
| Optional: Mitre saw |
| Optional: Metal file for de-burring |
| T20 screw driver |

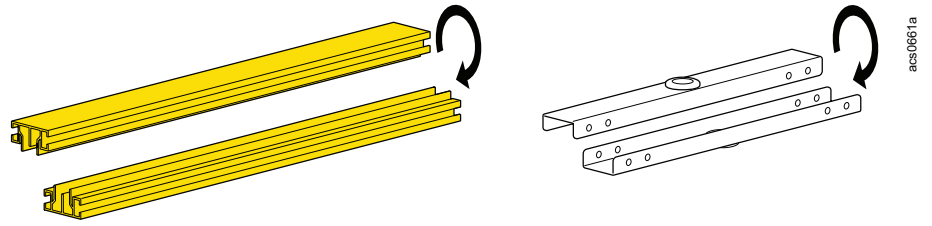
NOTE: You only need a mitre saws and metal file to cut the bottom ABS rails when installing motion sensors.

Preparing the Panel Connectors:

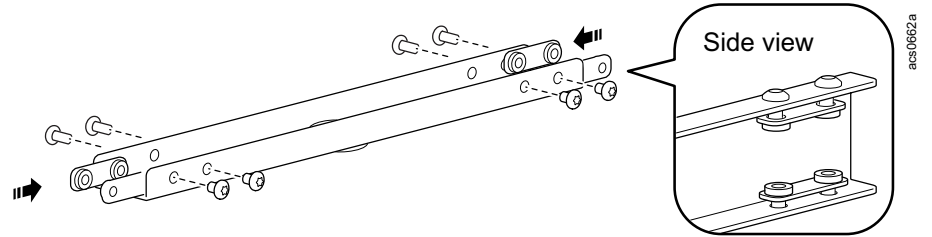
1. Separate the top and bottom rails. Separate the top and bottom connectors. The bottom connector **A** is only used to mount motion sensors.



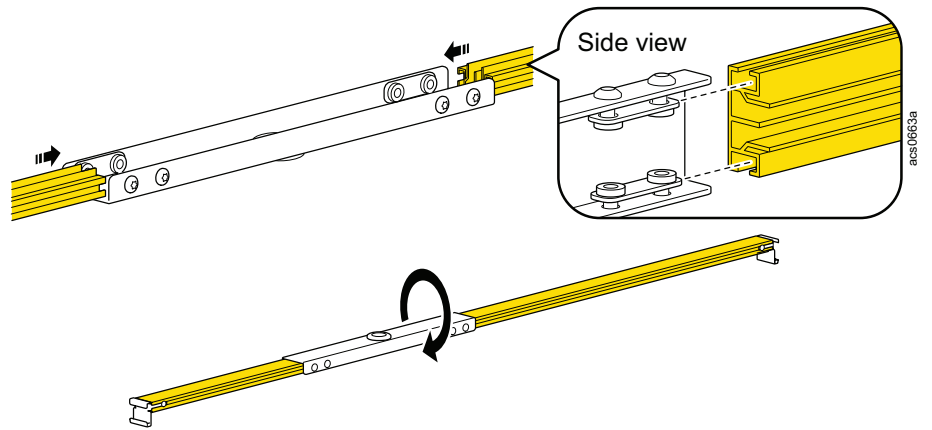
- 2. Turn the top rails and top connectors upside-down.



- 3. Install the connector brackets and cap screws to the top connector. Keep the screws loose.

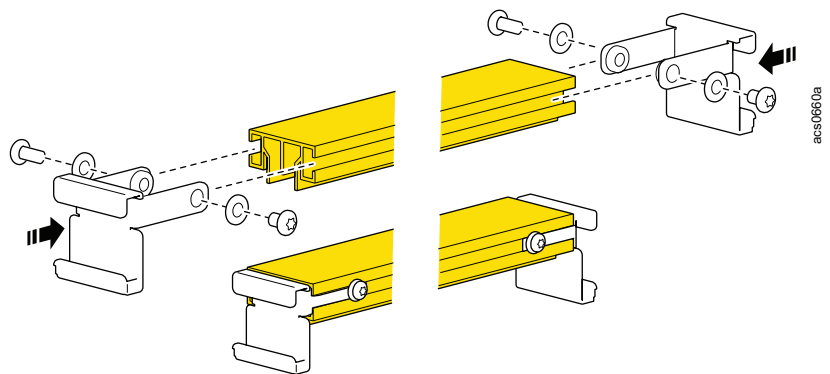


- 4. Slide two rails into each connector. The connector brackets engage with the sides of the rails.

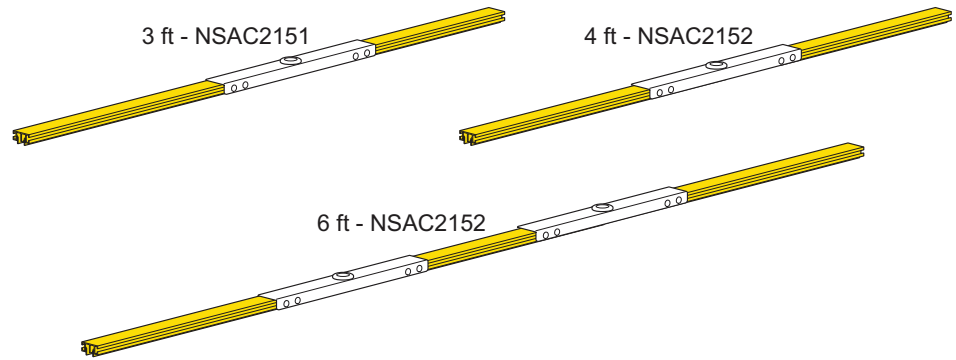


Tighten the screws to secure the rails.

- 5. Slide the mounting brackets into the outer ends of each connected set of rails. Use the provided washers and screws to secure the mounting brackets.



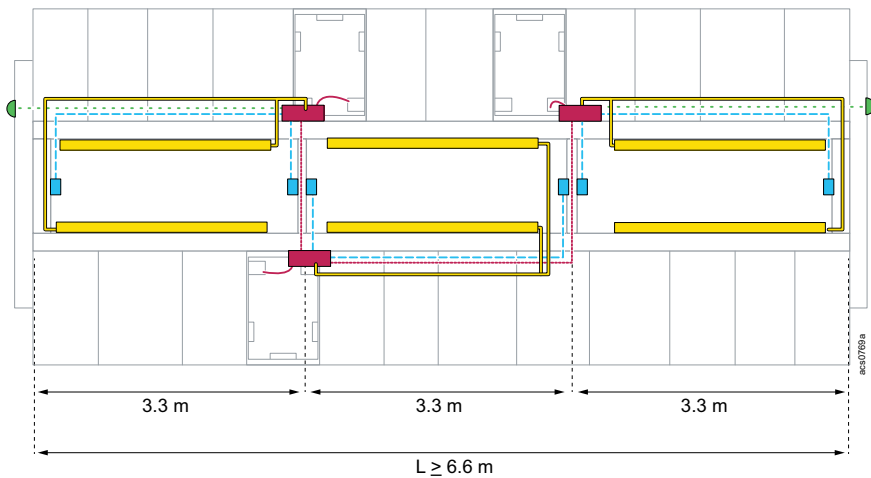
Arrangements for 3-ft, 4-ft, and 6-ft aisles:



acs0608a

Optional Installation of Motion Sensors:

If the aisle length (L) is greater than 6.6 m, we recommend that you install one LED and one Lighting Control Box for every 3.3-m section of the aisle.



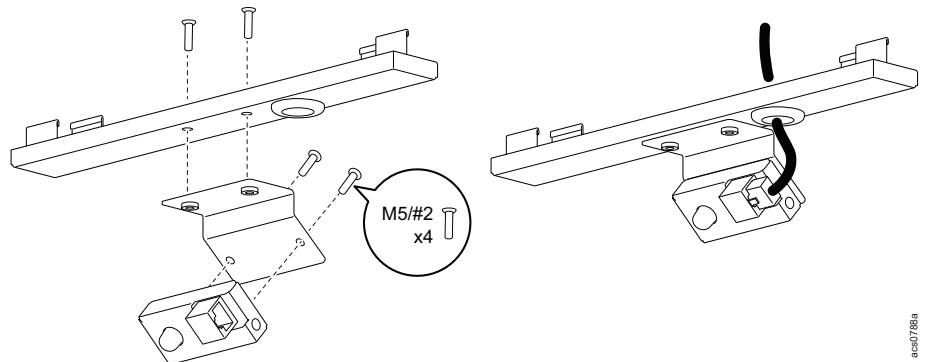
acs0789a

You can install the motion sensors (■) to the panel connectors to place them in the middle of the aisle. Install two panel connectors with motion sensor side-by-side at the end of each 3.3-m section. Arrange each motion sensor to face towards the center of a 3.3-m section.

See 2.10 Install Lighting, page 118 for more information about lighting configurations.

You have the option to install motion sensors from the Lighting Control Box (NSAC2122) at this point.

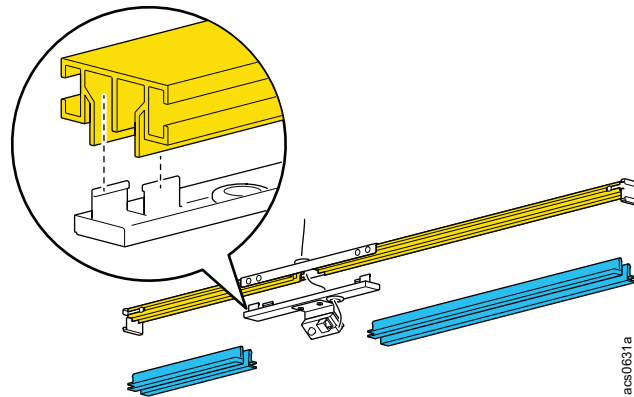
1. The Lighting Control Box includes M5 phillips head screws, motion sensors, and motion sensor mounting brackets. Use two M5 phillips head screws (with a #2 driver) to secure the motion sensor to a mounting bracket. Use two more M5 phillips head screws to secure the mounting bracket to the optional bottom connector of the panel mounting rail.



acs0789a

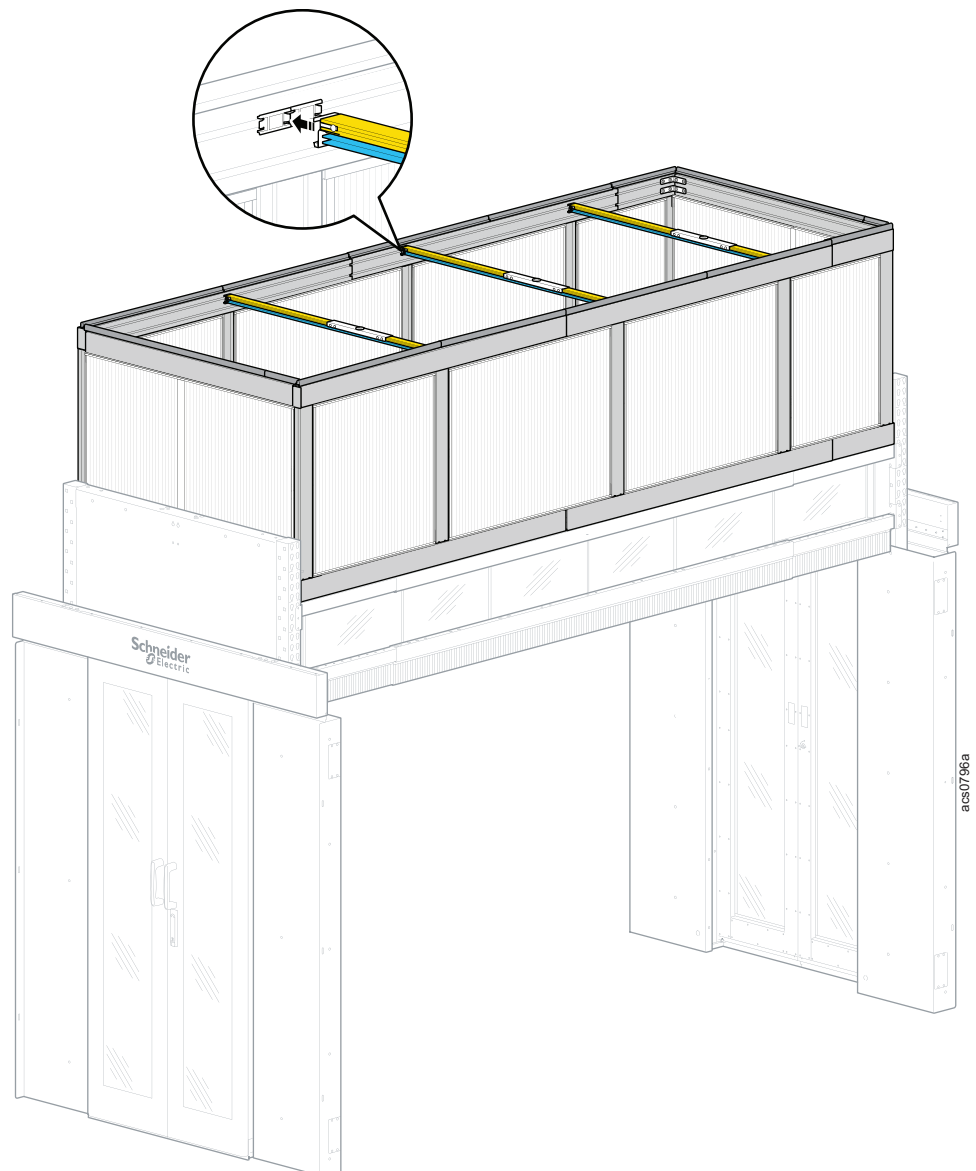
2. Mount the bottom connector beneath the top connector. Route the sensor wire through the openings in both connectors.

NOTE: You will need to cut the bottom ABS rails to fit around the bottom connector. If you do not install a motion sensor, there is no need to install the bottom connector.



Installing the Panel Connectors:

1. Cut the bottom part of the Panel Connectors to fit the aisle length or the bottom connector as needed. Insert the bottom parts of the panel connector to the assembled panel connector.
2. Use four Mounting Rail Connectors (NSAC2607) (two at each side) to mount each panel connector to the vertical duct. Install the panel connectors every 1,000...1,400 mm (39.3...55.1 in).



3.2 NetShelter Aisle Containment System Curtain Doors

What's in This Chapter

3.2.1 Installation for Systems with Racks Under 52U 145
 3.2.2 Installation for Systems with 52U Racks 150

Mounting rail: ACDC2410, ACDC2411
 Door strip: ACAC11008, ACAC11009

3.2.1 Installation for Systems with Racks Under 52U

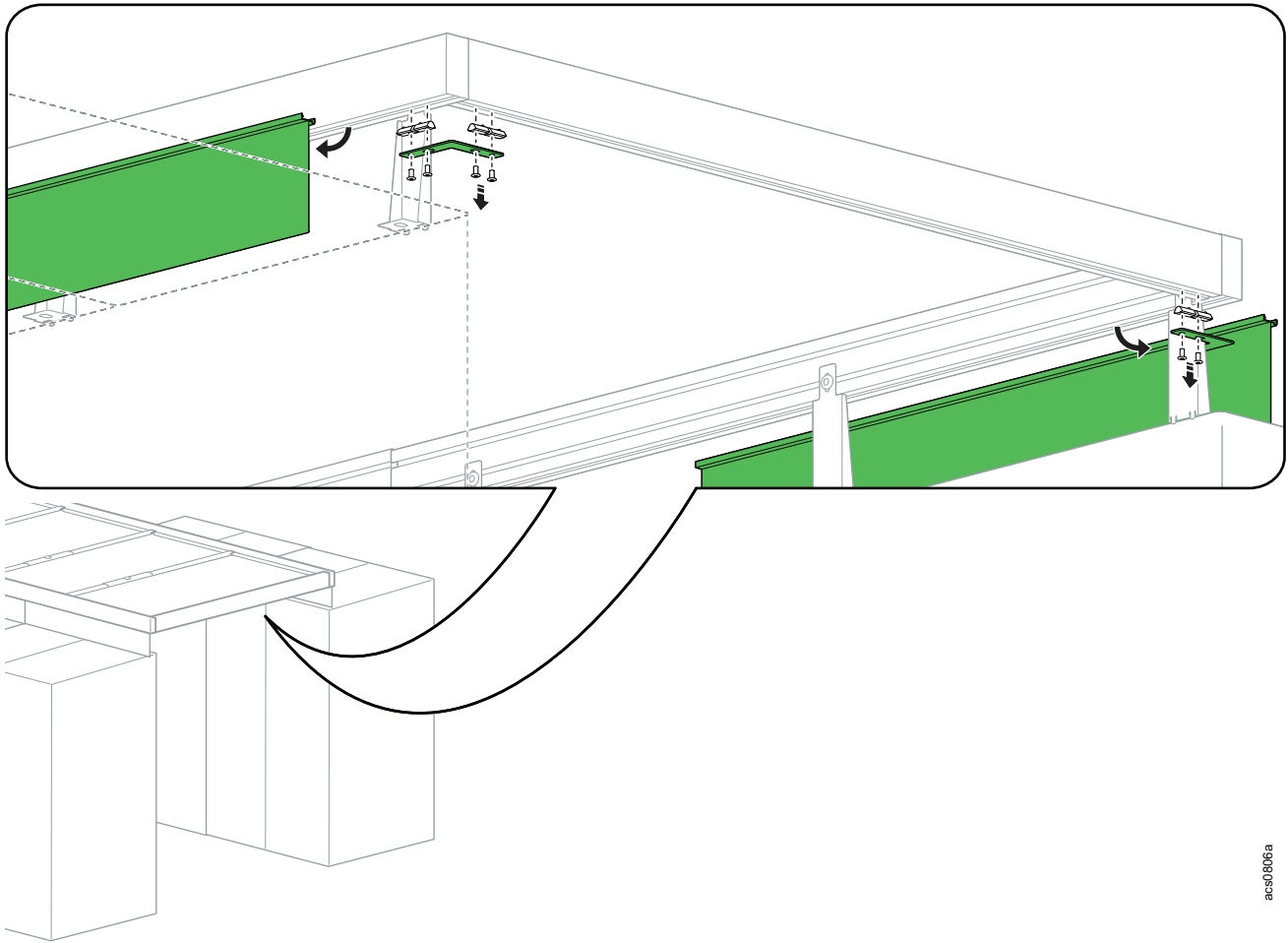
Parts and tools

| Required parts |
|--|
| NetShelter Pod Containment Air Sealing Kit (FS-AC- 1001-U) |

| Required NetShelter Aisle Containment Parts |
|---|
| Curtain Door Mounting Rail (ACDC2410 or ACDC2411()) |
| Curtain Door Strips (ACAC11008 or ACAC11009) |

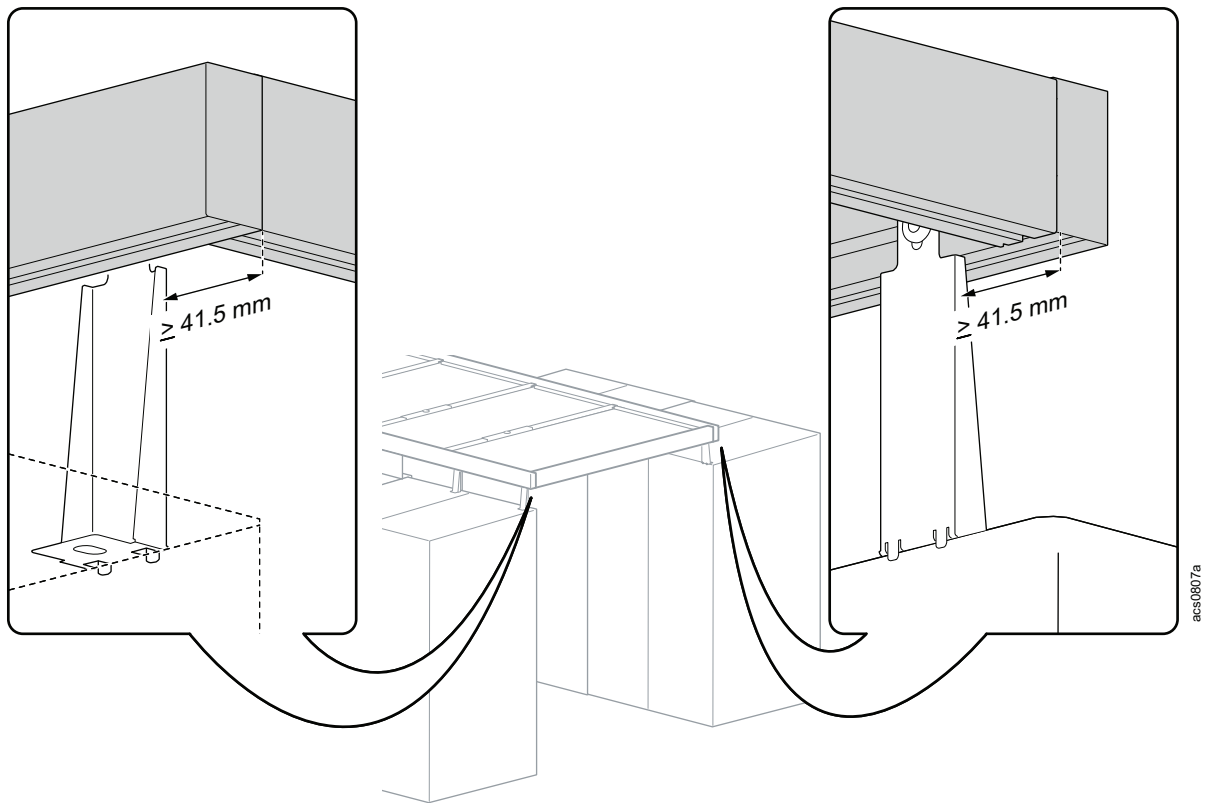
| Tools required (not provided) |
|-------------------------------|
| T30 screw driver |
| Scissors |

1. Remove the bottom L Connectors and any Cabinet Seal Coextrusions at the end of the aisle. Remove any motion sensors attached to the end of the aisle.



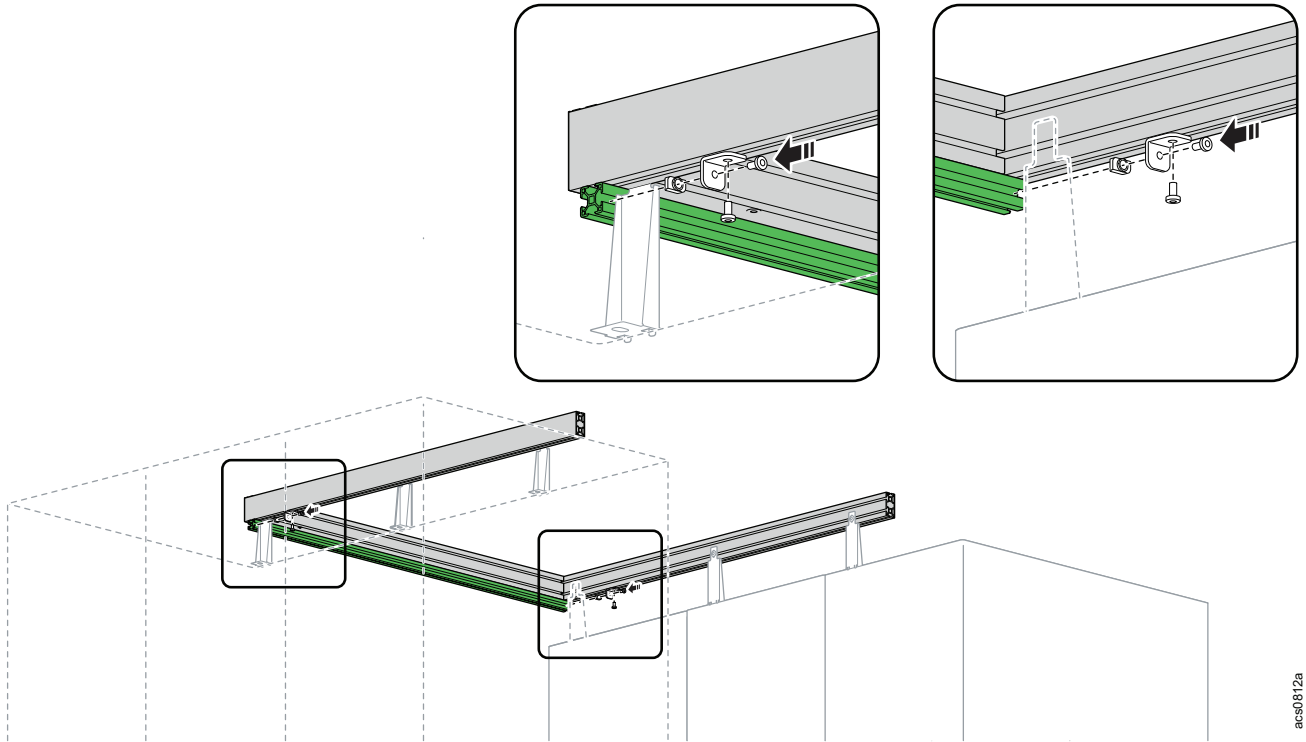
acc0906a

2. If the aisle is rack-mounted, ensure there is at least 41.5 mm (1.6 in) of space between the end of the aisle and the first Cabinet Install Bracket.

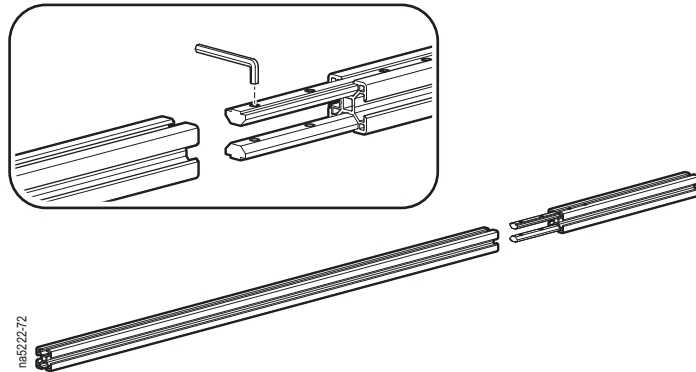


- Use the M6 spring nuts, M6/T30 screws, and curtain door fixtures included (included with ACDC2410 or ACDC2411) to secure the cross-aisle support rail to the horizontal roof frame.

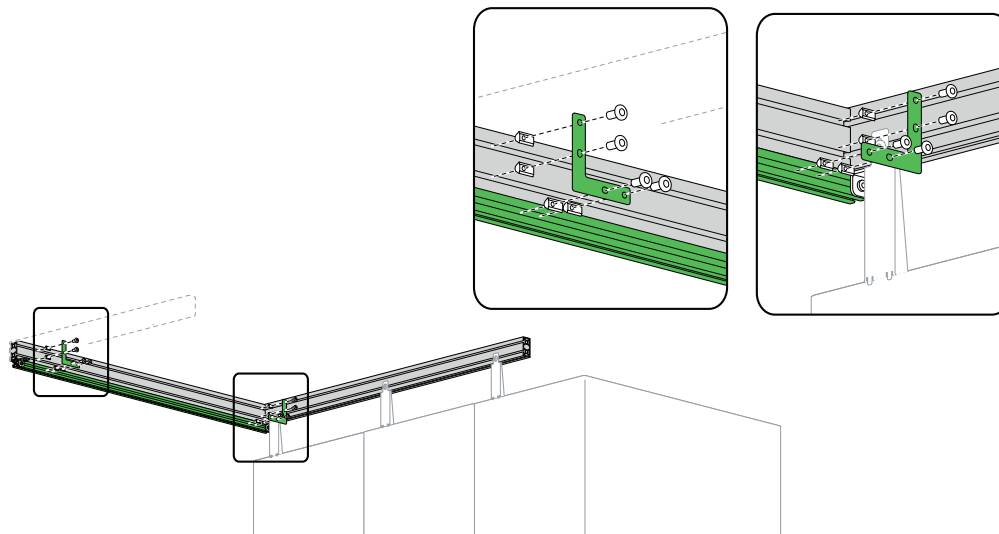
NOTE: The following image shows the procedure from the inside of the aisle containment system. Parts of the aisle containment system are hidden for clarity.



NOTE: If needed, extend the support to span the width of the horizontal roof frame, including the two outermost frame extrusions.

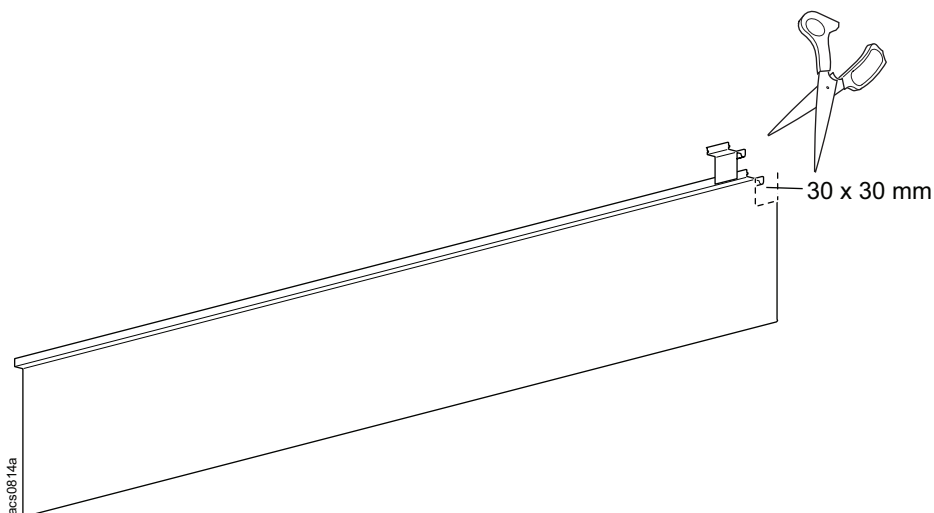


- 4. Use L Connectors to secure the cross-aisle support rail to the horizontal roof frame



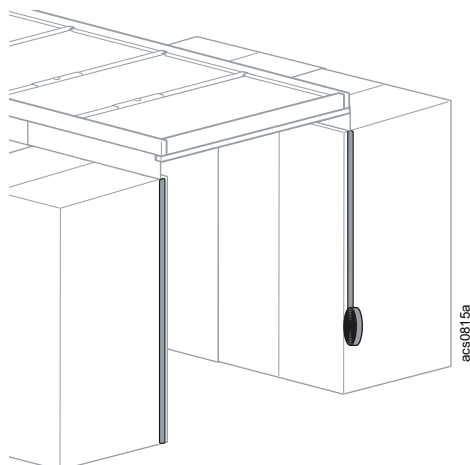
acs0813a

- 5. Cut the cabinet Seal Coextrusions to fit the cross-aisle support rail, then re-install the seals.



acs0814a

- 6. Install an air seal (FS-AC-1001-U) to the racks on each side of the aisle. This will help seal the aisle while the curtain door is closed.



acs0815a

- Follow the instructions in your NetShelter Aisle Containment System manual to install the Door Curtain. You can skip the step to attach the cross-aisle support to the support rails.

3.2.2 Installation for Systems with 52U Racks

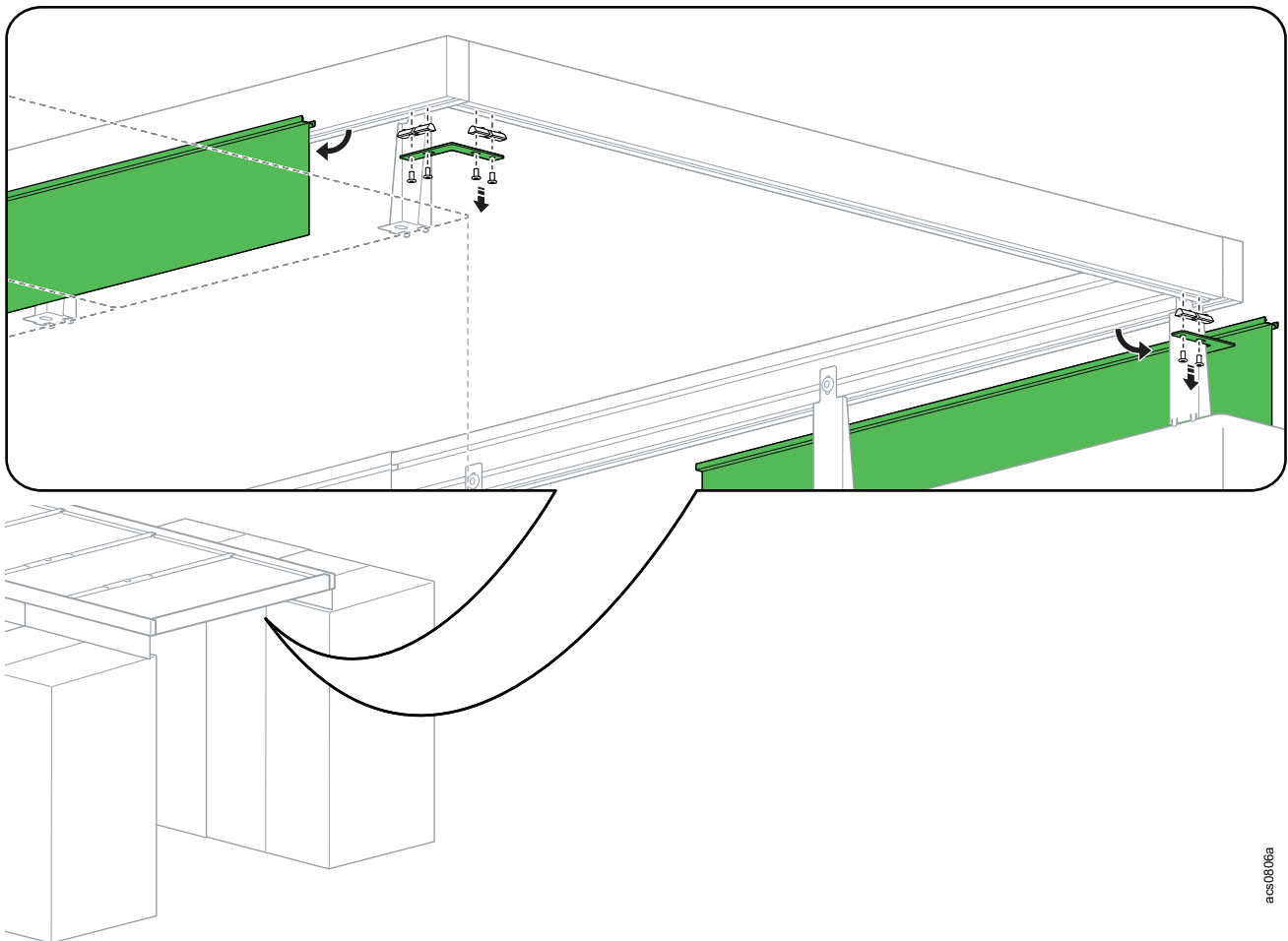
Parts and tools

| Required parts |
|--|
| Frame Extrusions and End Covers (NSAC2001) |
| Interior Connectors (NSAC2603) |
| NetShelter Pod Containment Air Sealing Kit (FS-AC- 1001-U) |

| Required NetShelter Aisle Containment Parts |
|---|
| Curtain Door Mounting Rail (ACDC2410 or ACDC2411()) |
| Curtain Door Strips (ACAC11008 or ACAC11009) |

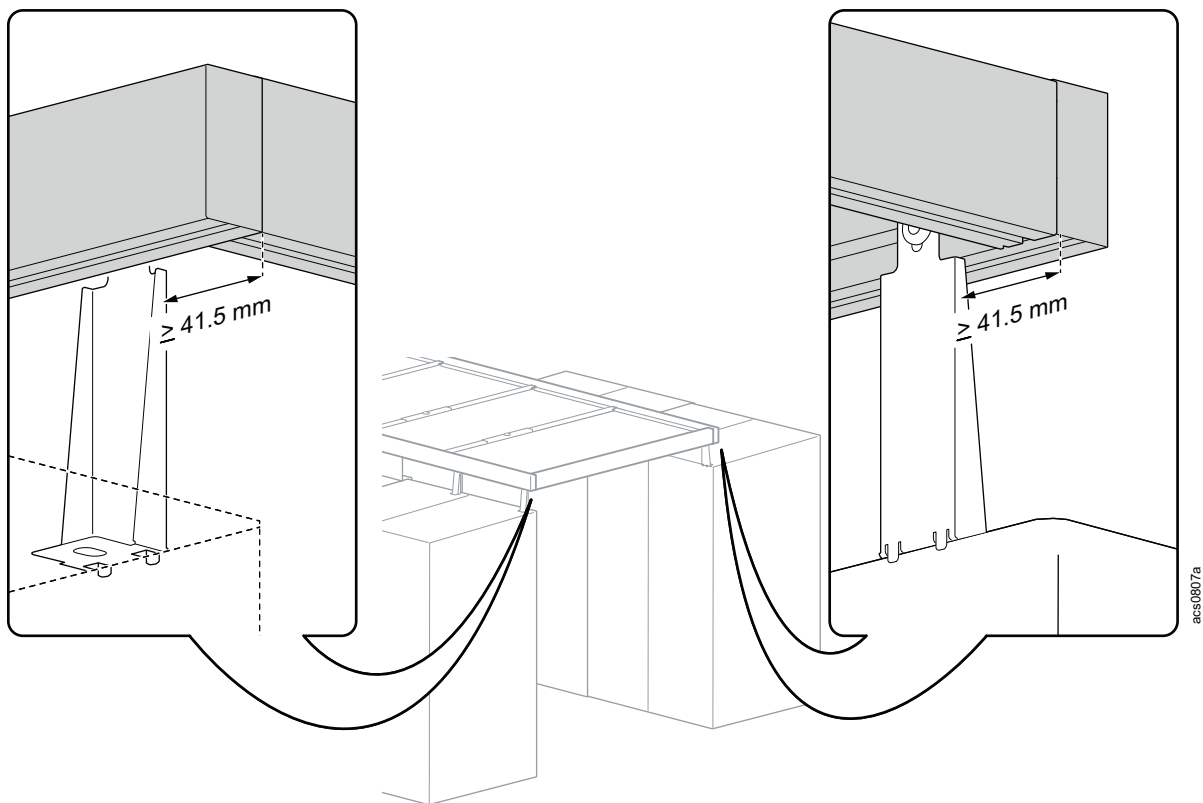
| Tools required (not provided) |
|-------------------------------|
| T30 screw driver |
| Scissors |

- Remove the bottom L Connectors and any Cabinet Seal Coextrusions at the end of the aisle. Remove any motion sensors attached to the end of the aisle.



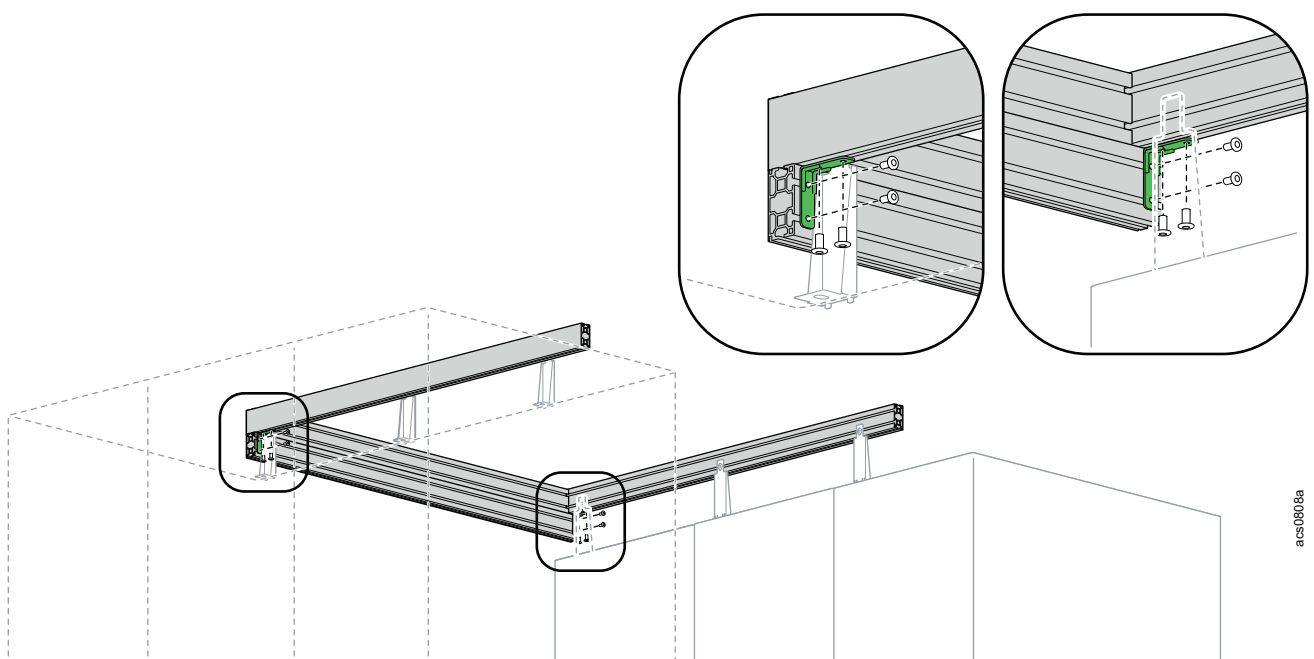
ace0806a

- If the aisle is rack-mounted, ensure there is at least 41.5 mm (1.6 in) of space between the end of the aisle and the first Cabinet Install Bracket.

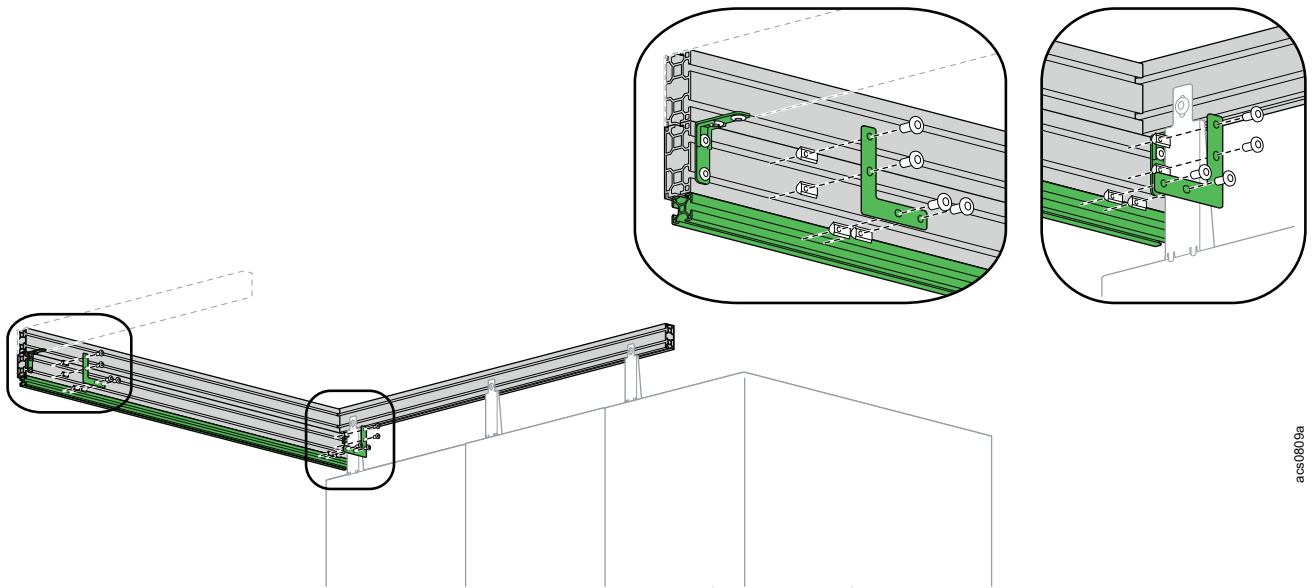


- Install a second frame extrusion across the width of the aisle. Use Interior Connectors to secure the lower frame extrusion to the horizontal roof frame. Use a mitre saw to cut the frame extrusion to span the width of the horizontal roof frame, including the two outermost frame extrusions. De-burr the edges.

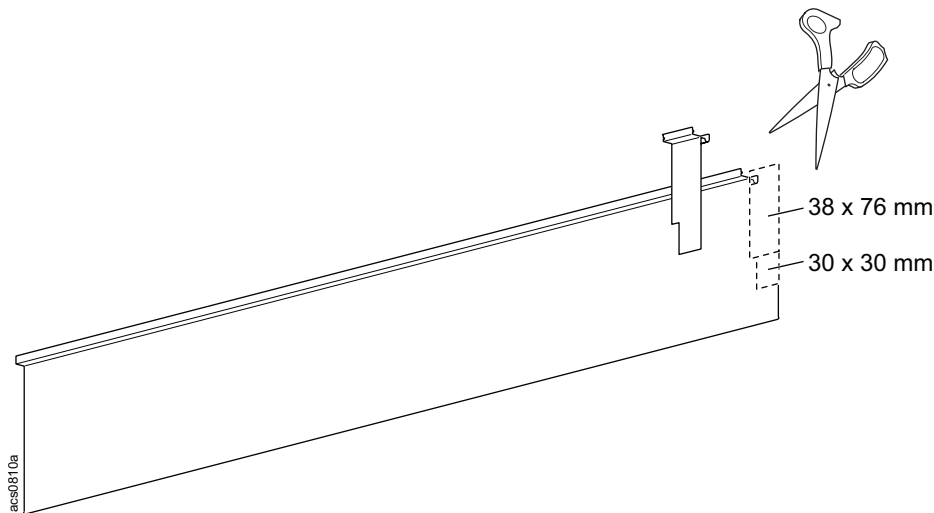
NOTE: The following image shows the procedure from the inside of the aisle containment system. Parts of the aisle containment system are hidden for clarity.



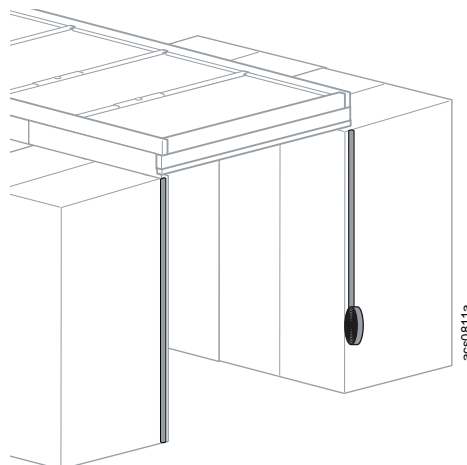
- 4. Use L-connectors to secure the cross-aisle support rail to the horizontal roof frame



- 5. Cut the end cabinet seals to fit the lower frame extrusion and cross-aisle support rail. Then re-install the seals.



- 6. Install an air seal (FS-AC-1001-U) to the racks on each side of the aisle. This will help seal the aisle while the curtain door is closed.



7. Follow the instructions in your NetShelter Aisle Containment System manual to install the Door Curtain. You can skip the step to attach the cross-aisle support to the support rails.

4 Specifications

Aisle Containment Solution

| | |
|--|---|
| Width of aisle | 972 mm (3 ft) 1,268 mm (4 ft) 1,860 mm (6 ft) |
| Width of horizontal roof/vertical duct structure | aisle width + 76 mm (3.0 in) |
| Row height | 42 to 52U (1,991 to 2,436 mm) |
| Total height (horizontal roof) | Row height + 212 mm (8.3 in) |
| Clearance between rack and roof structure | 136 mm (5.4 in) |
| Color | APC Raven Black |

Doors

| | Dual door | Single door |
|---|---|--------------------|
| Material | Aluminum frame, cold-rolled steel, and solid polycarbonate panel | |
| Features | Self closing, door stopper at open position, door synchronization, compatible with Active Flow Controller | |
| Width of door | 2,555 mm (100.6 in) | 1,660 mm (65.4 in) |
| Width of opening | 900 mm (35.4 in), or 1,200 mm (47.2 in) | 900 mm (35.4 in) |
| Total Height | 42U row: 2,360 mm (92.9 in) 45U row: 2,510 mm (98.8 in) 48U row: 2,510 mm (98.8 in) 52U row: 2,660 mm (104.7 in) | |
| Depth | 200 mm (7.9 in) | |
| Thickness of solid polycarbonate panel | 3.2 mm (0.1 in) | |
| Transparency of solid polycarbonate panel | 88.0% | |

Frame Extrusions**(used for horizontal roof frame, vertical duct frame, blanking panel frame)**

| | |
|--------------------------------------|--|
| Material | Acrylonitrile butadiene styrene (ABS) |
| Dimensions (height x width x length) | 76 x 38 x 2,536 mm (3.0 x 1.5 x 99.8 in) |

Multi-wall Panels**(used for horizontal roof panels, vertical duct panels, blanking panels)**

| | |
|-----------------------|---|
| Material | Polycarbonate |
| Thickness | 6 mm (0.2 in) |
| Blanking panel width | ≤ 830 mm (32.7 in) |
| Blanking panel height | 3 to 52U (133 to 2,311 mm/5.3 to 91.0 in) |

Cabinet and Ceiling Seal Coextrusions

| | |
|----------|---|
| Material | Polypropylene and thermoplastic elastomer |
|----------|---|

LED Module

| | |
|--|---|
| Material | Silicone |
| Dimensions (height x width x depth) | 12 x 12 x 3,000 mm (0.5 x 0.5 x 118.1 in) |
| Weight | 160 g/m |
| Lux | 1,100 lm/M |
| Energy class | F |
| Color temperature | 6,500 K |
| Color rendering index (CRI) | 80 |
| Dimmable | No |
| Angle of illumination | 120° |
| Operating conditions | -25...60 °C (-13...140 °F) |
| IP value | None |
| Expected life | 3,0000 H |
| Input voltage | 24 VDC |
| Current consumption | 9.6 W/M |
| Connectable LED Tubes | No |
| Maximal length of serially connected LED Tubes | 3 m/pcs (combine 6 M) in series from a single power supply |
| Connection | Molex tube |
| Quality mark | CE, UL |
| Directives | 2014/30/EU, RoHs 2011/65/EU & 2015/863, EC 1907/2006, EU2019/2020 |
| Standards | IEC 62471, UL2108 |

Lighting Control Box

| | |
|--------------------------------------|--|
| Dimensions (height x width x length) | 44 x 120 x 170 mm (1.7 x 4.7 x 6.7 in) |
| Weight | 1,671 g (3.7 lb) |

Certifications

| | |
|----------------------------|------------------------------------|
| Aisle containment solution | UL 484 |
| Panels | UL 723 |
| LED Module | EN 61547, EN 55015 |
| Lighting Control Box | EN/IEC 62368-1, EN 55032, EN 55035 |

3 Warranty

What's in This Part

| | |
|---------------------------------------|-----|
| Five-year Factory Warranty | 158 |
| Eighteen-month Factory Warranty | 160 |

Five-year Factory Warranty

What's in This Chapter

| | |
|---------------------------------|-----|
| Terms of Warranty | 158 |
| Non-transferable Warranty | 158 |
| Exclusions | 158 |
| Warranty Claims..... | 159 |

The limited warranty provided by Schneider Electric in this Statement of Limited Factory Warranty applies only to products you purchase for your commercial or industrial use in the ordinary course of your business.

Terms of Warranty

Schneider Electric warrants its products to be free from defects in materials and workmanship for a period of five years from the date of purchase. The obligation of Schneider Electric under this warranty is limited to repairing or replacing, at its sole discretion, any such defective products. This warranty does not apply to equipment that has been damaged by accident, negligence, or misapplication or has been altered or modified in any way. Repair or replacement of a defective product or part thereof does not extend the original warranty period. Any parts furnished under this warranty may be new or factory- remanufactured.

Non-transferable Warranty

This warranty extends only to the original purchaser who must have properly registered the product. The product may be registered at www.apc.com.

Exclusions

Schneider Electric shall not be liable under the warranty if its testing and examination disclose that the alleged defect in the product does not exist or was caused by end user's or any third person's misuse, negligence, improper installation or testing. Further, Schneider Electric shall not be liable under the warranty for unauthorized attempts to repair or modify wrong or inadequate electrical voltage or connection, inappropriate on-site operation conditions, corrosive atmosphere, repair, installation, start-up by non-Schneider Electric designated personnel, a change in location or operating use, exposure to the elements, Acts of God, fire, theft, or installation contrary to Schneider Electric recommendations or specifications or in any event if the Schneider Electric serial number has been altered, defaced, or removed, or any other cause beyond the range of the intended use.

THERE ARE NO WARRANTIES, EXPRESS OR IMPLIED, BY OPERATION OF LAW OR OTHERWISE, OF PRODUCTS SOLD, SERVICED OR FURNISHED UNDER THIS AGREEMENT OR IN CONNECTION HEREWITH. SCHNEIDER ELECTRIC DISCLAIMS ALL IMPLIED WARRANTIES OF MERCHANTABILITY, SATISFACTION AND FITNESS FOR A PARTICULAR PURPOSE. SCHNEIDER ELECTRIC EXPRESS WARRANTIES WILL NOT BE ENLARGED, DIMINISHED, OR AFFECTED BY AND NO OBLIGATION OR LIABILITY WILL ARISE OUT OF, SCHNEIDER ELECTRIC RENDERING OF TECHNICAL OR OTHER ADVICE OR SERVICE IN CONNECTION WITH THE PRODUCTS. THE FOREGOING WARRANTIES AND REMEDIES ARE EXCLUSIVE AND IN LIEU OF ALL OTHER WARRANTIES AND REMEDIES. THE WARRANTIES SET FORTH ABOVE CONSTITUTE SCHNEIDER ELECTRIC'S SOLE LIABILITY AND PURCHASER'S EXCLUSIVE REMEDY FOR ANY BREACH OF SUCH

WARRANTIES. SCHNEIDER ELECTRIC WARRANTIES EXTEND ONLY TO PURCHASER AND ARE NOT EXTENDED TO ANY THIRD PARTIES.

IN NO EVENT SHALL SCHNEIDER ELECTRIC, ITS OFFICERS, DIRECTORS, AFFILIATES OR EMPLOYEES BE LIABLE FOR ANY FORM OF INDIRECT, SPECIAL, CONSEQUENTIAL OR PUNITIVE DAMAGES, ARISING OUT OF THE USE, SERVICE OR INSTALLATION, OF THE PRODUCTS, WHETHER SUCH DAMAGES ARISE IN CONTRACT OR TORT, IRRESPECTIVE OF FAULT, NEGLIGENCE OR STRICT LIABILITY OR WHETHER SCHNEIDER ELECTRIC HAS BEEN ADVISED IN ADVANCE OF THE POSSIBILITY OF SUCH DAMAGES. SPECIFICALLY, SCHNEIDER ELECTRIC IS NOT LIABLE FOR ANY COSTS, SUCH AS LOST PROFITS OR REVENUE, LOSS OF EQUIPMENT, LOSS OF USE OF EQUIPMENT, LOSS OF SOFTWARE, LOSS OF DATA, COSTS OF SUBSTITUTES, CLAIMS BY THIRD PARTIES, OR OTHERWISE.

NO SALESMAN, EMPLOYEE OR AGENT OF SCHNEIDER ELECTRIC IS AUTHORIZED TO ADD TO OR VARY THE TERMS OF THIS WARRANTY. WARRANTY TERMS MAY BE MODIFIED, IF AT ALL, ONLY IN WRITING SIGNED BY AN SCHNEIDER ELECTRIC OFFICER AND LEGAL DEPARTMENT.

Warranty Claims

Customers with warranty claims issues may access the customer support network through the Support page, www.apc.com/support. Select your country from the country selection pull-down menu at the top of the Web page. Select the **Support** tab to obtain contact information for customer support in your region.

Eighteen-month Factory Warranty

What's in This Chapter

| | |
|---------------------------------|-----|
| Terms of Warranty | 160 |
| Non-transferable Warranty | 160 |
| Exclusions | 160 |
| Warranty Claims..... | 161 |

This warranty applies only to the lighting control unit (NSAC2122).

The limited warranty provided by Schneider Electric in this Statement of Limited Factory Warranty applies only to products you purchase for your commercial or industrial use in the ordinary course of your business.

Terms of Warranty

Schneider Electric warrants its products to be free from defects in materials and workmanship for a period of eighteen months from the date of purchase. The obligation of Schneider Electric under this warranty is limited to repairing or replacing, at its sole discretion, any such defective products. This warranty does not apply to equipment that has been damaged by accident, negligence, or misapplication or has been altered or modified in any way. Repair or replacement of a defective product or part thereof does not extend the original warranty period. Any parts furnished under this warranty may be new or factory- remanufactured

Non-transferable Warranty

This warranty extends only to the original purchaser who must have properly registered the product. The product may be registered at www.apc.com.

Exclusions

Schneider Electric shall not be liable under the warranty if its testing and examination disclose that the alleged defect in the product does not exist or was caused by end user's or any third person's misuse, negligence, improper installation or testing. Further, Schneider Electric shall not be liable under the warranty for unauthorized attempts to repair or modify wrong or inadequate electrical voltage or connection, inappropriate on-site operation conditions, corrosive atmosphere, repair, installation, start-up by non-Schneider Electric designated personnel, a change in location or operating use, exposure to the elements, Acts of God, fire, theft, or installation contrary to Schneider Electric recommendations or specifications or in any event if the Schneider Electric serial number has been altered, defaced, or removed, or any other cause beyond the range of the intended use.

THERE ARE NO WARRANTIES, EXPRESS OR IMPLIED, BY OPERATION OF LAW OR OTHERWISE, OF PRODUCTS SOLD, SERVICED OR FURNISHED UNDER THIS AGREEMENT OR IN CONNECTION HERewith. SCHNEIDER ELECTRIC DISCLAIMS ALL IMPLIED WARRANTIES OF MERCHANTABILITY, SATISFACTION AND FITNESS FOR A PARTICULAR PURPOSE. SCHNEIDER ELECTRIC EXPRESS WARRANTIES WILL NOT BE ENLARGED, DIMINISHED, OR AFFECTED BY AND NO OBLIGATION OR LIABILITY WILL ARISE OUT OF, SCHNEIDER ELECTRIC RENDERING OF TECHNICAL OR OTHER ADVICE OR SERVICE IN CONNECTION WITH THE PRODUCTS. THE FOREGOING WARRANTIES AND REMEDIES ARE EXCLUSIVE AND IN LIEU OF ALL OTHER WARRANTIES AND REMEDIES. THE WARRANTIES SET FORTH ABOVE CONSTITUTE SCHNEIDER ELECTRIC'S SOLE LIABILITY

AND PURCHASER'S EXCLUSIVE REMEDY FOR ANY BREACH OF SUCH WARRANTIES. SCHNEIDER ELECTRIC WARRANTIES EXTEND ONLY TO PURCHASER AND ARE NOT EXTENDED TO ANY THIRD PARTIES.

IN NO EVENT SHALL SCHNEIDER ELECTRIC, ITS OFFICERS, DIRECTORS, AFFILIATES OR EMPLOYEES BE LIABLE FOR ANY FORM OF INDIRECT, SPECIAL, CONSEQUENTIAL OR PUNITIVE DAMAGES, ARISING OUT OF THE USE, SERVICE OR INSTALLATION, OF THE PRODUCTS, WHETHER SUCH DAMAGES ARISE IN CONTRACT OR TORT, IRRESPECTIVE OF FAULT, NEGLIGENCE OR STRICT LIABILITY OR WHETHER SCHNEIDER ELECTRIC HAS BEEN ADVISED IN ADVANCE OF THE POSSIBILITY OF SUCH DAMAGES. SPECIFICALLY, SCHNEIDER ELECTRIC IS NOT LIABLE FOR ANY COSTS, SUCH AS LOST PROFITS OR REVENUE, LOSS OF EQUIPMENT, LOSS OF USE OF EQUIPMENT, LOSS OF SOFTWARE, LOSS OF DATA, COSTS OF SUBSTITUTES, CLAIMS BY THIRD PARTIES, OR OTHERWISE.

NO SALESMAN, EMPLOYEE OR AGENT OF SCHNEIDER ELECTRIC IS AUTHORIZED TO ADD TO OR VARY THE TERMS OF THIS WARRANTY. WARRANTY TERMS MAY BE MODIFIED, IF AT ALL, ONLY IN WRITING SIGNED BY AN SCHNEIDER ELECTRIC OFFICER AND LEGAL DEPARTMENT.

Warranty Claims

Customers with warranty claims issues may access the customer support network through the Support page, www.apc.com/support. Select your country from the country selection pull-down menu at the top of the Web page. Select the **Support** tab to obtain contact information for customer support in your region.

APC
70 Mechanic Street
Foxboro, MA 02035
USA

www.se.com

As standards, specifications, and design change from time to time,
please ask for confirmation of the information given in this publication.

© 2024 – 2024 [Schneider Electric](#). All rights reserved.

TME19696