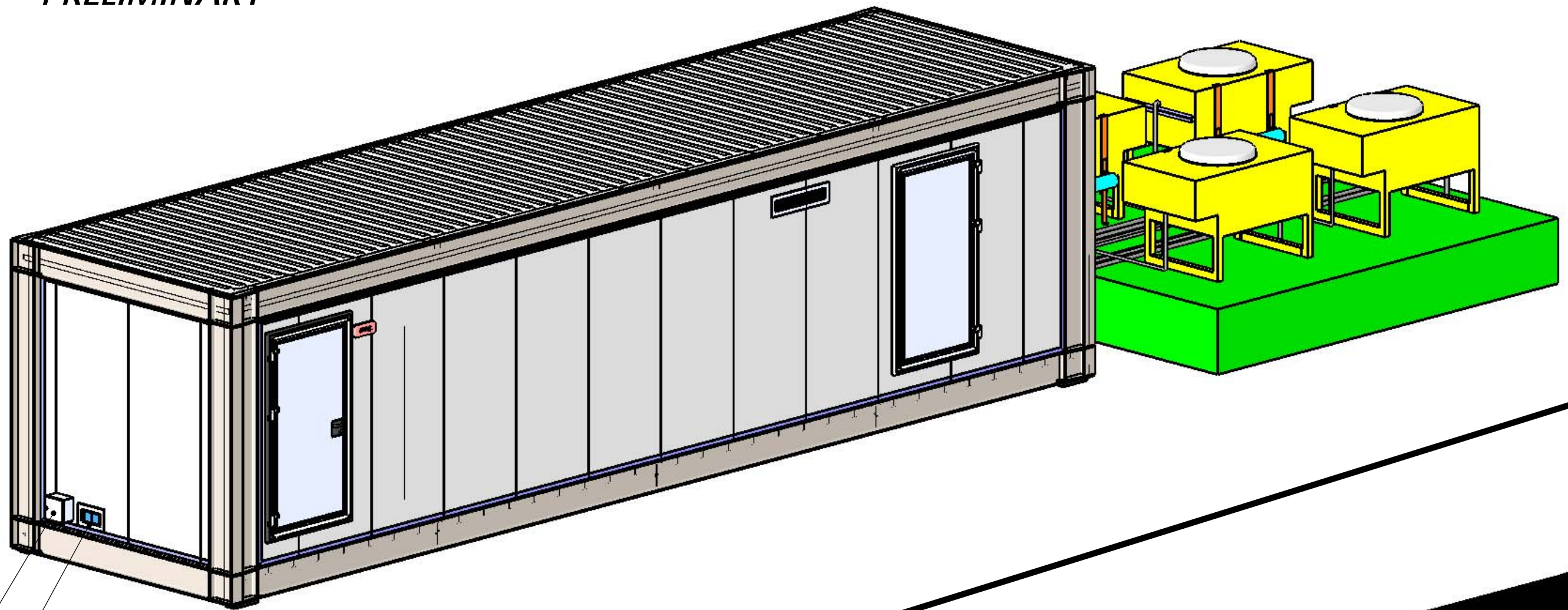


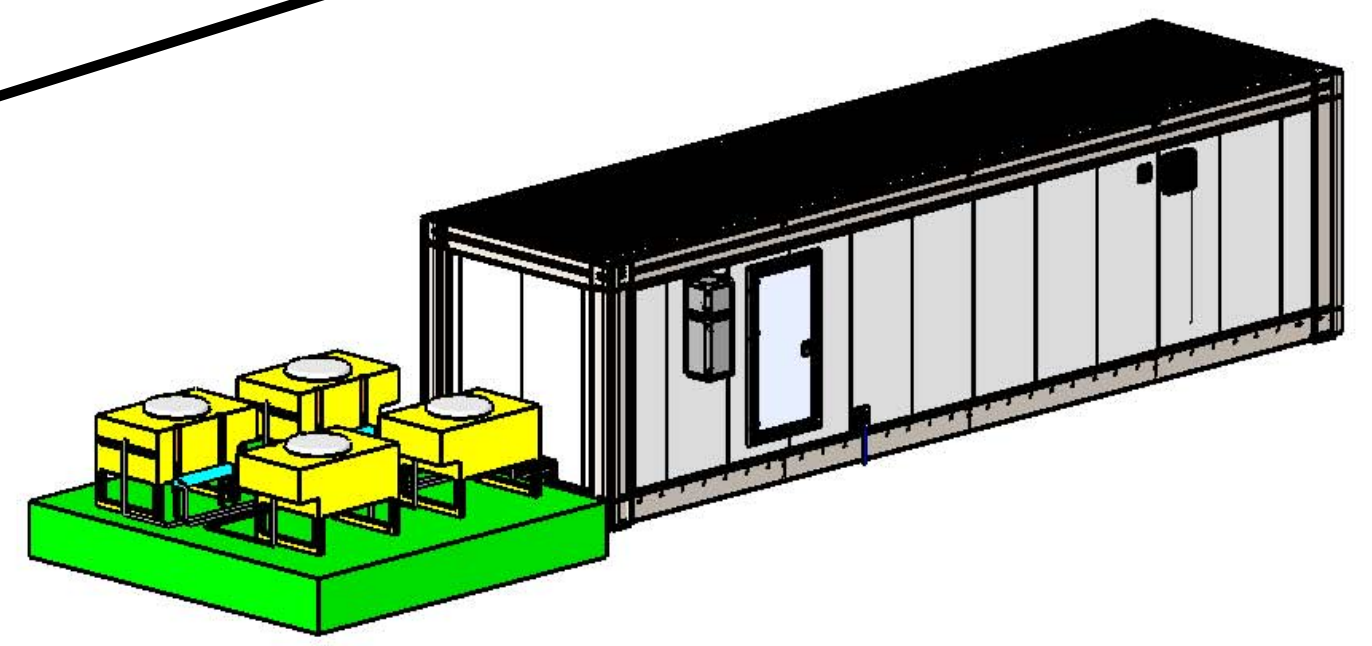
A B C D E F G H

**PRELIMINARY**

REVISIONS					
REV.	SUFFIX	ECO #	DESCRIPTION	DATE	APPROVED
E1	-	-	RELEASE TO PROTOTYPE	15 JUL 14	J. BERGESCH
E2	-	-	REVISED ELECTRICAL DISTRIBUTION SYSTEM	08 AUG 14	J. LUNTZ



POWER CABLE CONNECTION  $\triangle$  2  
 GROUND CONNECTION INTERFACE PANEL



**REVERSE TRIMETRIC VIEW**

**NOTES, UNLESS OTHERWISE SPECIFIED:**

1. ALL DIMENSIONS ARE IN MILLIMETERS (INCHES).
2. ALL DATA CABLE, POWER CABLE, COOLING PIPING, AND COOLING POWER INTERFACES THROUGH ROXTEC CABLE ENTRY SEALS

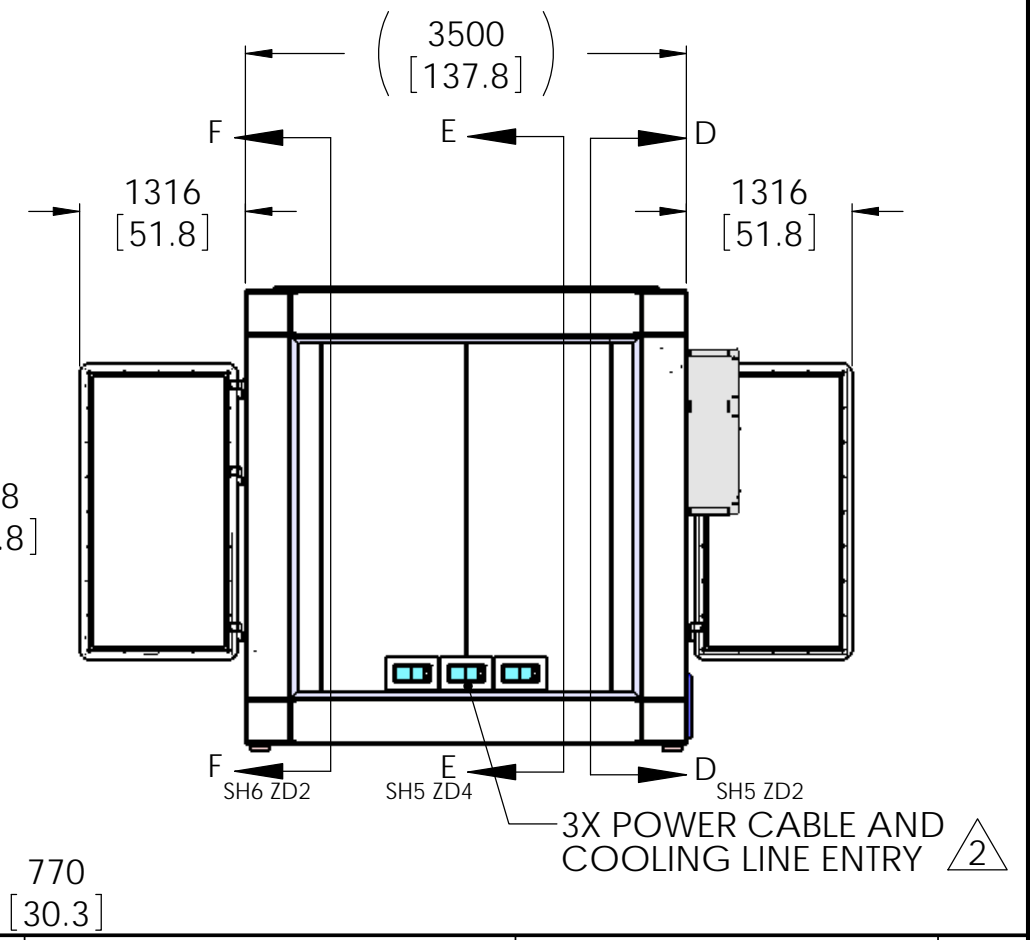
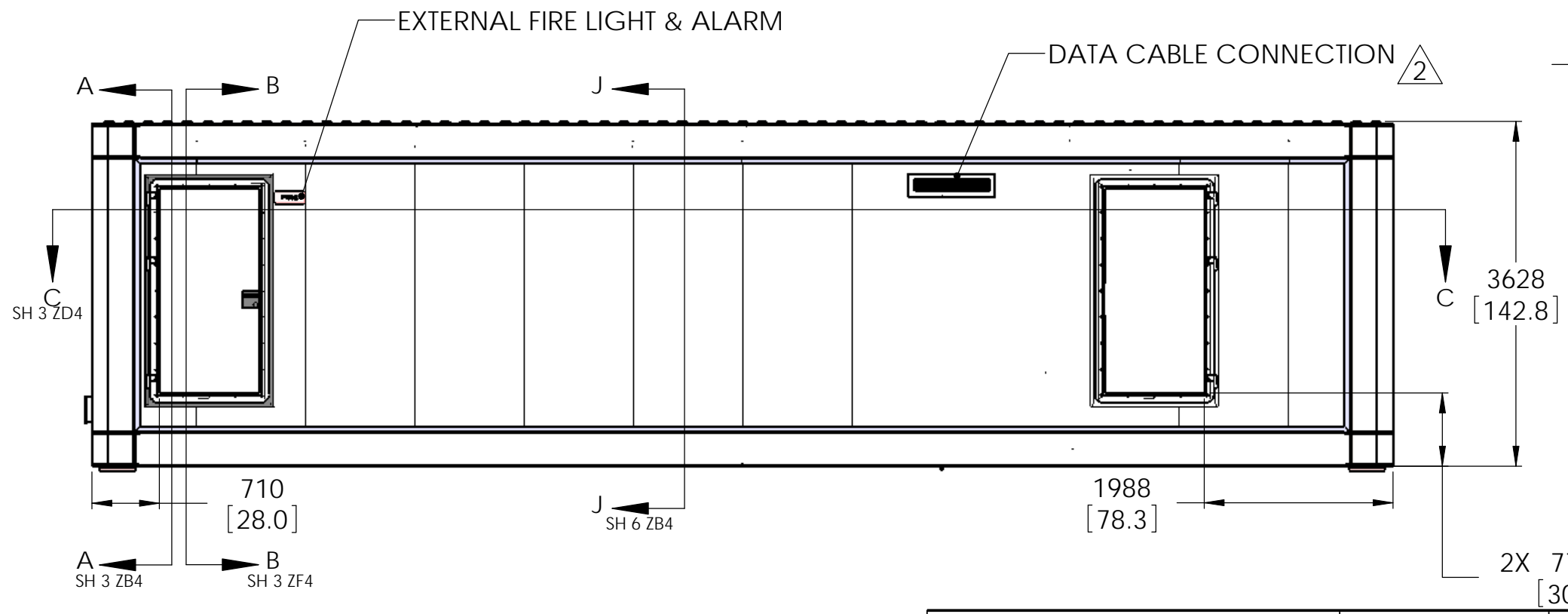
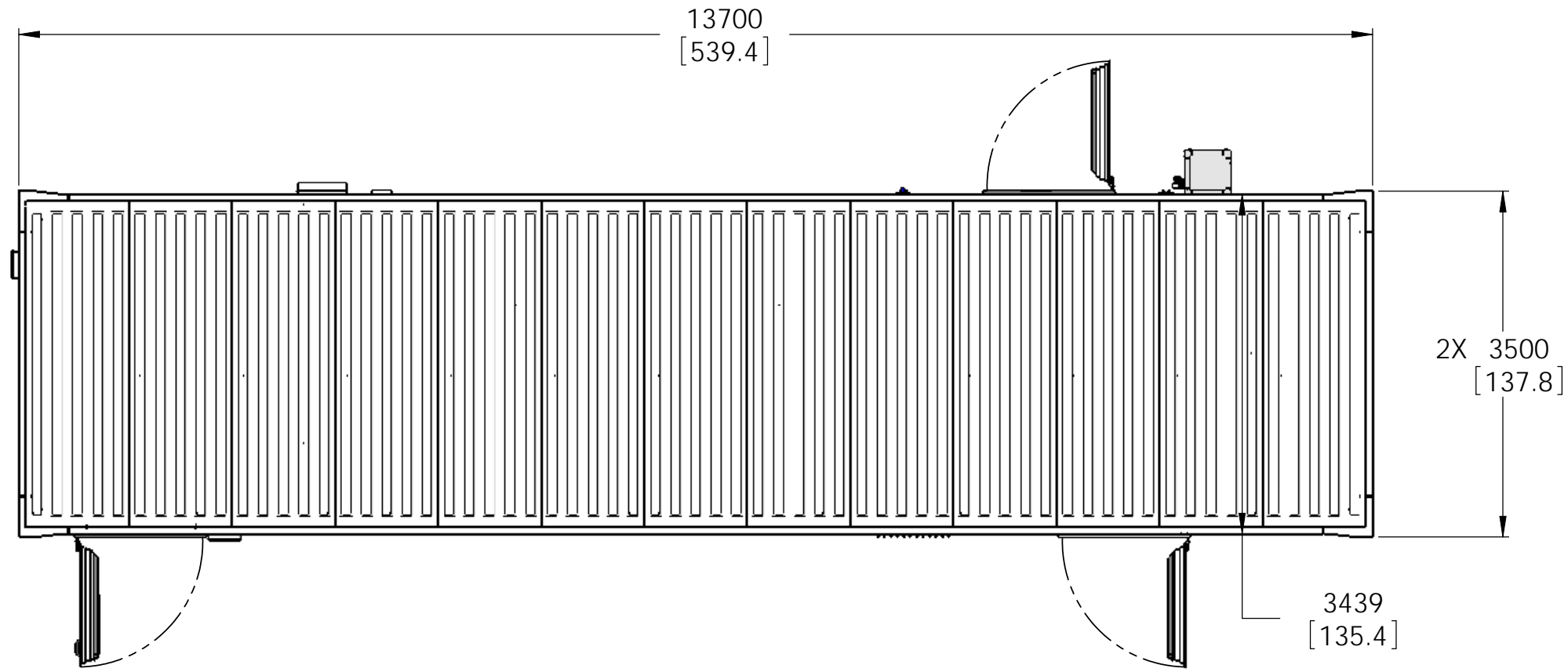
THIS DRAWING AND SPECIFICATIONS HEREIN ARE THE PROPERTY OF SCHNEIDER ELECTRIC AND SHALL NOT BE COPIED, REPRODUCED OR USED IN WHOLE OR IN PART, AS THE BASIS FOR THE MANUFACTURE OR SALE OF ITEMS WITHOUT WRITTEN PERMISSION FROM SCHNEIDER ELECTRIC. THIS DRAWING IS BASED UPON LATEST AVAILABLE INFORMATION AND IS SUBJECT TO CHANGE WITHOUT NOTICE.



TITLE: PFM 90KW NAM DX BUSWAY AST PHASE 1		DWG. NO.: PFMIEJ090D1N11D	REV: E2
PROJECT: PRE-FAB SOLUTIONS		ENGINEER: J. LUNTZ	DATE: 5/1/2014
SHEET 1 OF 8		DRAWN: J. BERGESCH	DATE: 5/1/2014
		APPROVED: J. LUNTZ	DATE: 5/1/2014

A B C D E F G H

**PRELIMINARY**



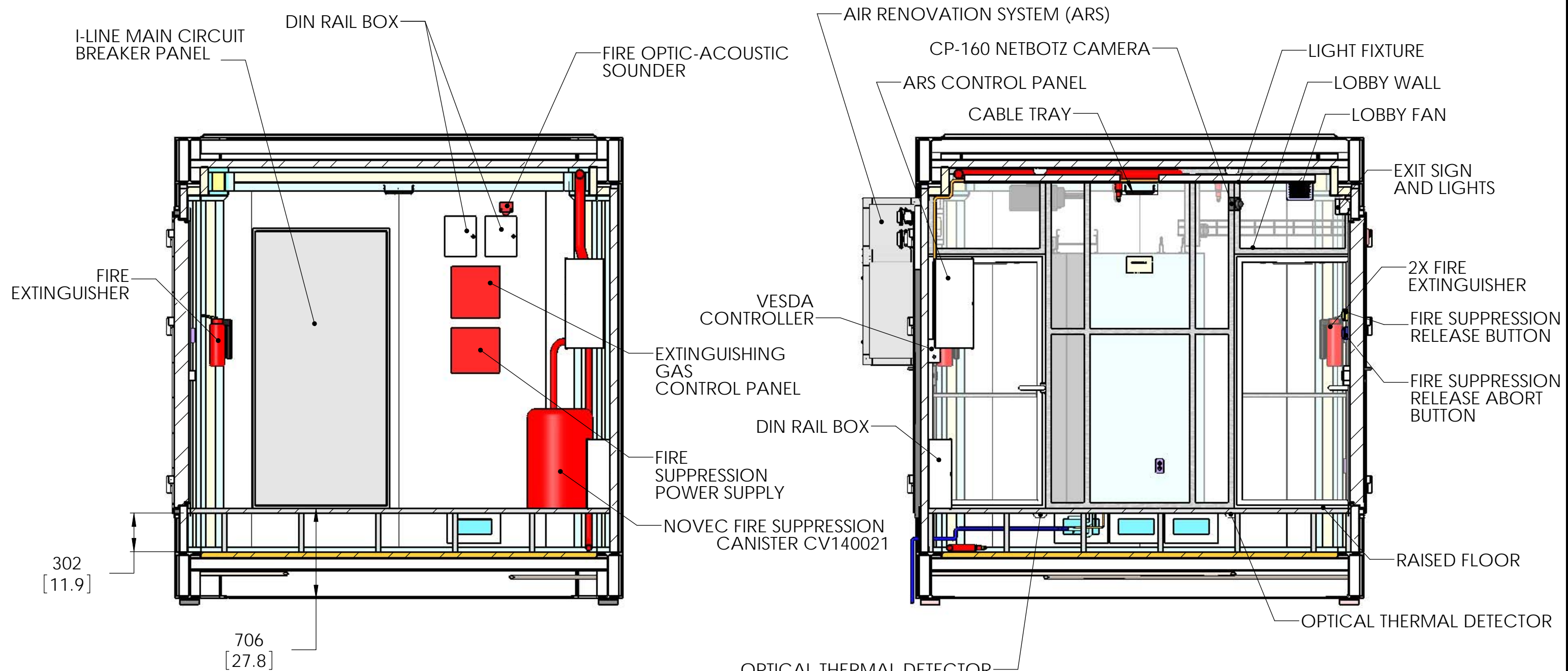
THIS DRAWING AND SPECIFICATIONS HEREIN ARE THE PROPERTY OF SCHNEIDER ELECTRIC AND SHALL NOT BE COPIED, REPRODUCED OR USED IN WHOLE OR IN PART, AS THE BASIS FOR THE MANUFACTURE OR SALE OF ITEMS WITHOUT WRITTEN PERMISSION FROM SCHNEIDER ELECTRIC. THIS DRAWING IS BASED UPON LATEST AVAILABLE INFORMATION AND IS SUBJECT TO CHANGE WITHOUT NOTICE.



TITLE: PFM 90KW NAM DX BUSWAY AST PHASE 1  
PROJECT: PRE-FAB SOLUTIONS SHEET 2 OF 8

DWG. NO.	PFMIEJ090D1N11D		REV	E2
ENGINEER:	J. LUNTZ	5/1/2014	SIZE	B
DRAWN:	J. BERGESCH	5/1/2014		
APPROVED:	J. LUNTZ	5/1/2014		

**PRELIMINARY**



**SECTION A-A**  
SCALE 1 : 30  
SH 2, ZA4

**SECTION B-B**  
SCALE 1 : 30  
SH 2, ZA4

THIS DRAWING AND SPECIFICATIONS HEREIN ARE THE PROPERTY OF SCHNEIDER ELECTRIC AND SHALL NOT BE COPIED, REPRODUCED OR USED IN WHOLE OR IN PART, AS THE BASIS FOR THE MANUFACTURE OR SALE OF ITEMS WITHOUT WRITTEN PERMISSION FROM SCHNEIDER ELECTRIC. THIS DRAWING IS BASED UPON LATEST AVAILABLE INFORMATION AND IS SUBJECT TO CHANGE WITHOUT NOTICE.



TITLE: PFM 90KW NAM DX BUSWAY AST PHASE 1  
PROJECT: PRE-FAB SOLUTIONS SHEET 3 OF 8

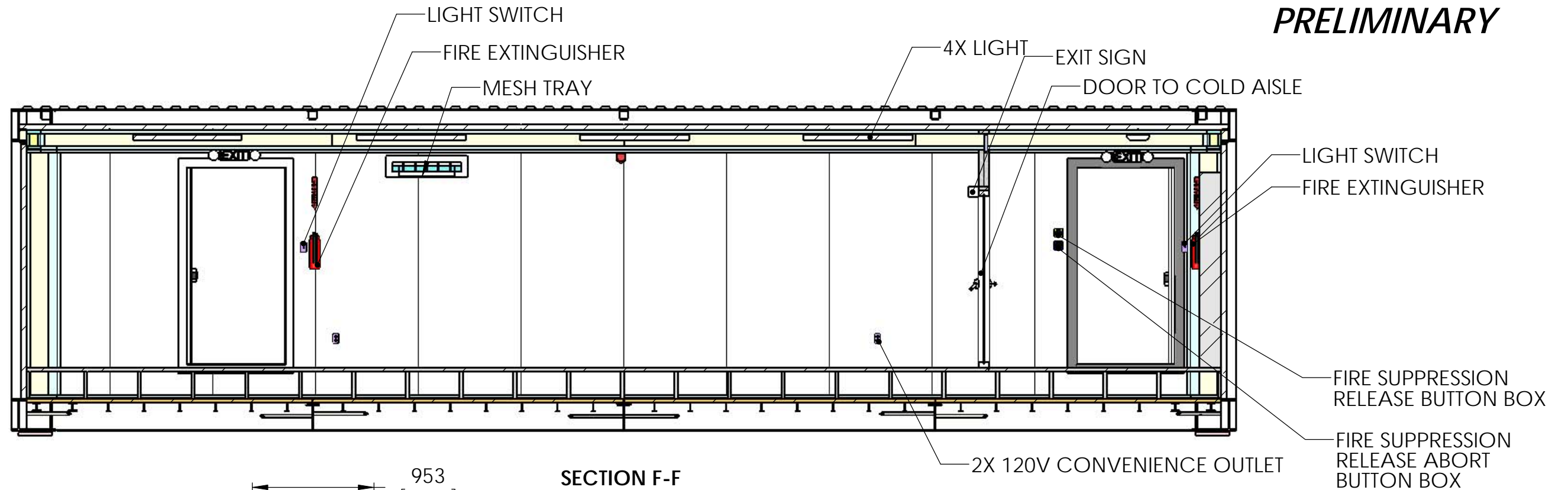
DWG. NO.	PFMIEJ090D1N11D		REV	E2
ENGINEER:	J. LUNTZ	5/1/2014	SIZE	B
DRAWN:	J. BERGESCH	5/1/2014		
APPROVED:	J. LUNTZ	5/1/2014		



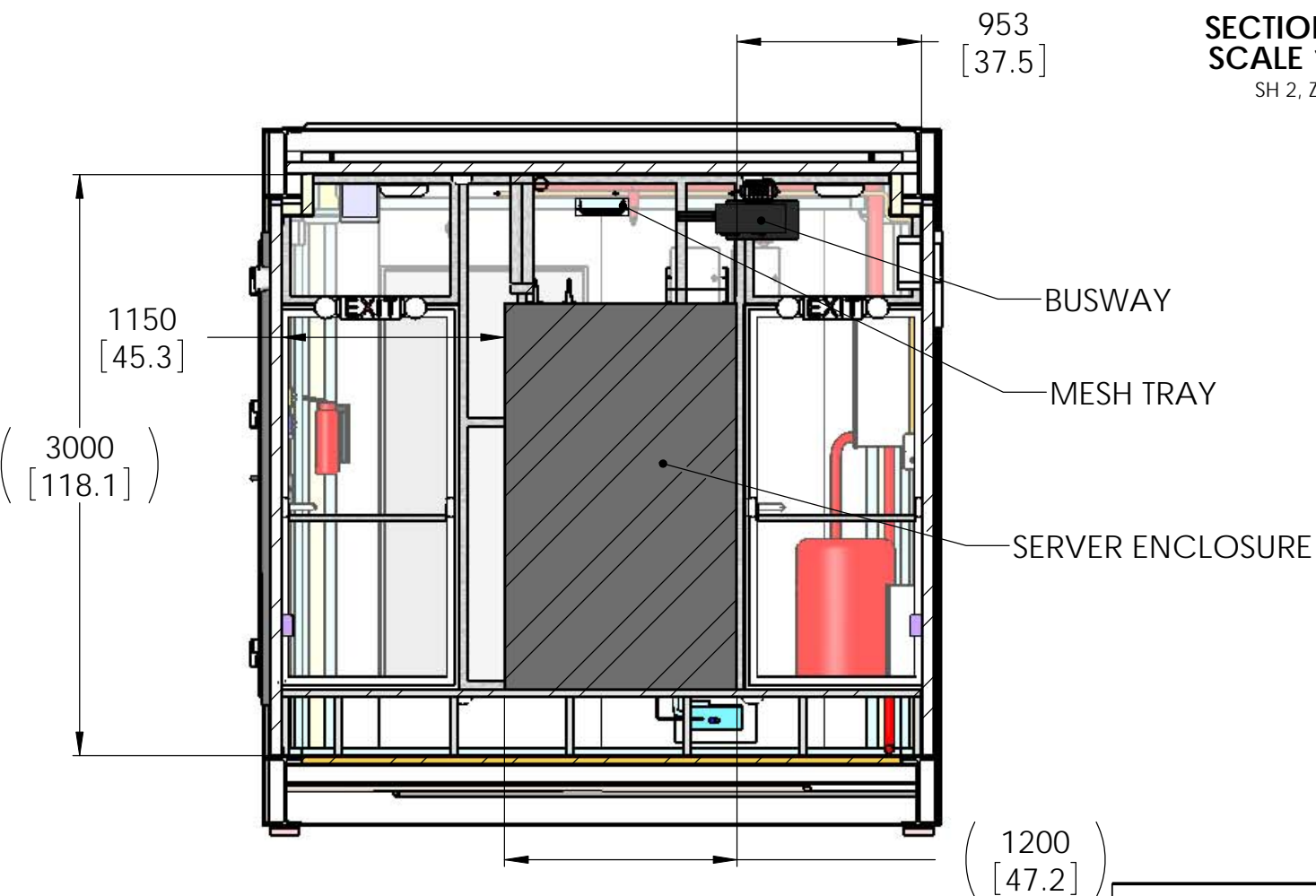




**PRELIMINARY**



**SECTION F-F**  
**SCALE 1 : 50**  
SH 2, ZG4



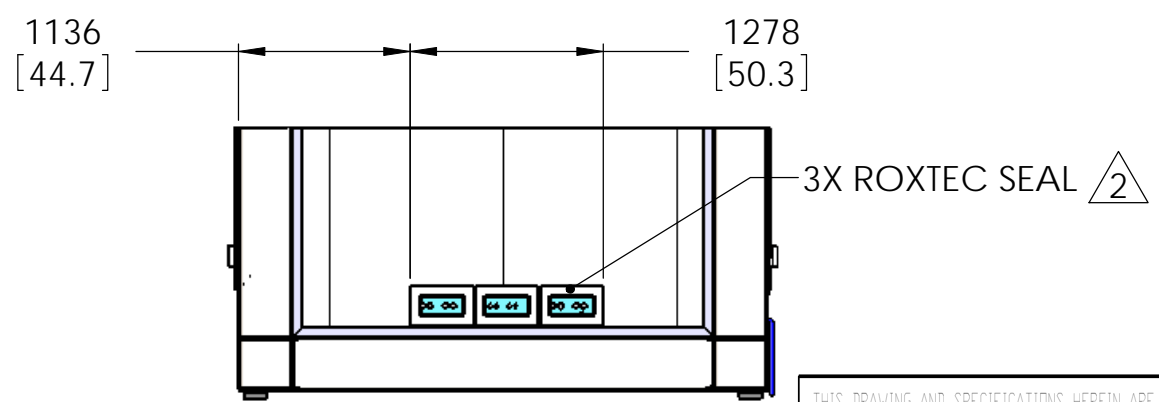
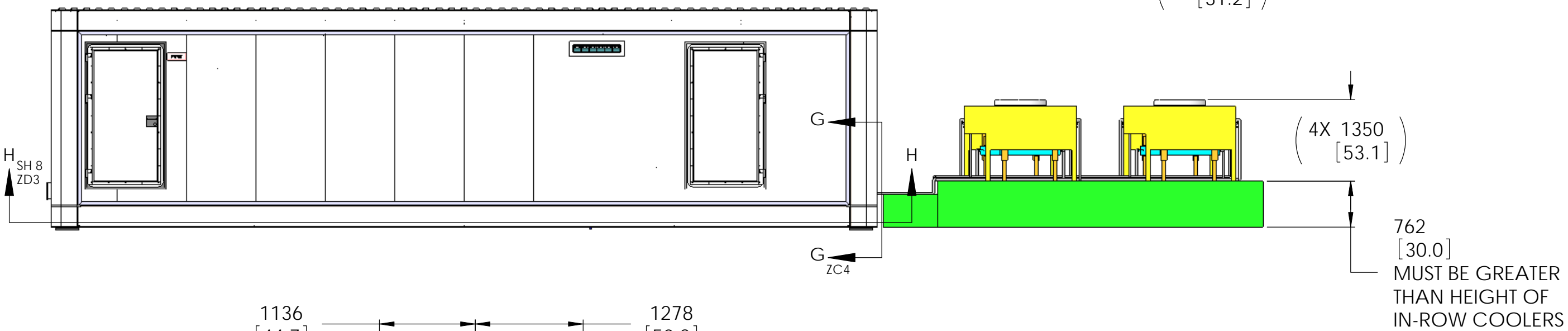
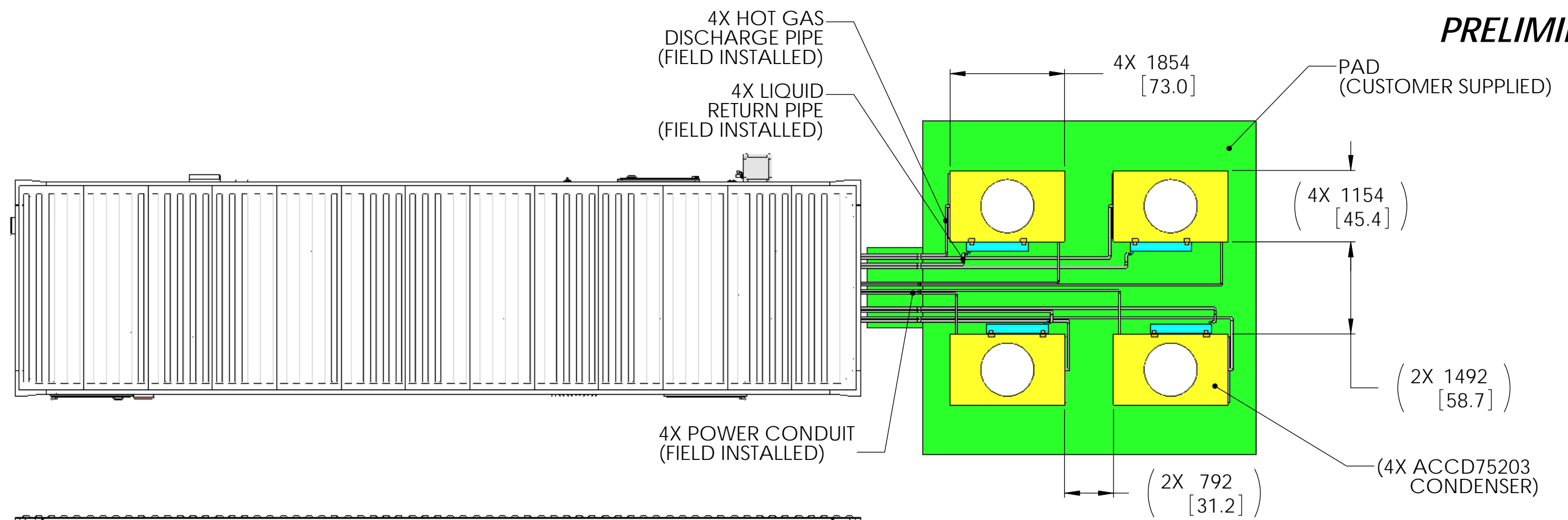
**SECTION J-J**  
**SCALE 1 : 35**  
SH 2, ZC4

THIS DRAWING AND SPECIFICATIONS HEREIN ARE THE PROPERTY OF SCHNEIDER ELECTRIC AND SHALL NOT BE COPIED, REPRODUCED OR USED IN WHOLE OR IN PART, AS THE BASIS FOR THE MANUFACTURE OR SALE OF ITEMS WITHOUT WRITTEN PERMISSION FROM SCHNEIDER ELECTRIC. THIS DRAWING IS BASED UPON LATEST AVAILABLE INFORMATION AND IS SUBJECT TO CHANGE WITHOUT NOTICE.



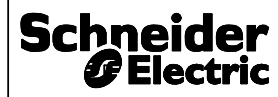
TITLE:	PFM 90KW NAM BUSWAY AST PHASE 1		DWG. NO.:	PFMIEJ090D1N11D	REV:	E2	
ENGINEER:	J. LUNTZ	5/1/2014	DRAWN:	J. BERGESCH	5/1/2014	SIZE:	B
PROJECT:	PRE-FAB SOLUTIONS	SHEET 6 OF 8	APPROVED:	J. LUNTZ	5/1/2014		

**PRELIMINARY**



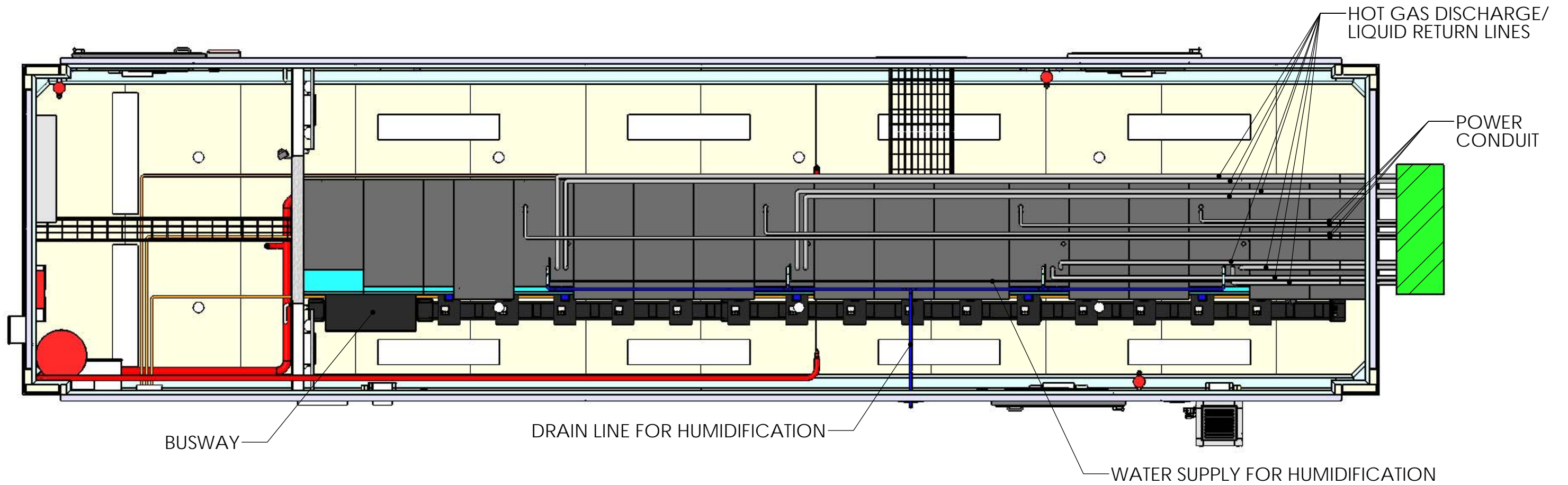
**SECTION G-G**  
SCALE 1 : 50  
ZE3

THIS DRAWING AND SPECIFICATIONS HEREIN ARE THE PROPERTY OF SCHNEIDER ELECTRIC AND SHALL NOT BE COPIED, REPRODUCED OR USED IN WHOLE OR IN PART, AS THE BASIS FOR THE MANUFACTURE OR SALE OF ITEMS WITHOUT WRITTEN PERMISSION FROM SCHNEIDER ELECTRIC. THIS DRAWING IS BASED UPON LATEST AVAILABLE INFORMATION AND IS SUBJECT TO CHANGE WITHOUT NOTICE.



TITLE: PFM 90KW NAM DX BUSWAY AST PHASE 1  
PROJECT: PRE-FAB SOLUTIONS SHEET 7 OF 8

DWG. NO.	PFMIEJ090D1N11D		REV	E2
ENGINEER:	J. LUNTZ	5/1/2014	SIZE	B
DRAWN:	J. BERGESCH	5/1/2014		
APPROVED:	J. LUNTZ	5/1/2014		



**SECTION H-H**  
**SCALE 1 : 40**  
 STEEL, WOOD AND RAISED  
 FLOORS REMOVED FOR CLARITY  
 SH 7, ZA3

THIS DRAWING AND SPECIFICATIONS HEREIN ARE THE PROPERTY OF SCHNEIDER ELECTRIC AND SHALL NOT BE COPIED, REPRODUCED OR USED IN WHOLE OR IN PART, AS THE BASIS FOR THE MANUFACTURE OR SALE OF ITEMS WITHOUT WRITTEN PERMISSION FROM SCHNEIDER ELECTRIC. THIS DRAWING IS BASED UPON LATEST AVAILABLE INFORMATION AND IS SUBJECT TO CHANGE WITHOUT NOTICE.



TITLE: PFM 90KW NAM DX BUSWAY AST PHASE 1  
 PROJECT: PRE-FAB SOLUTIONS SHEET 8 OF 8

DWG. NO.	PFMEJ090D1N11D		REV	E2
ENGINEER:	J. LUNTZ	5/1/2014	SIZE	B
DRAWN:	J. BERGESCH	5/1/2014		
APPROVED:	J. LUNTZ	5/1/2014		