



Metered Rack Power Distribution Unit AP8868, AP8868US

Overview

The APC Metered Rack Power Distribution Unit (PDU) distributes power to devices in a rack. The PDU includes sensors that measure the current use of the PDU and each attached device. You can access the PDU through Web, Telnet, SNMP, SSH, or EcoStruxure™ IT Expert interfaces.

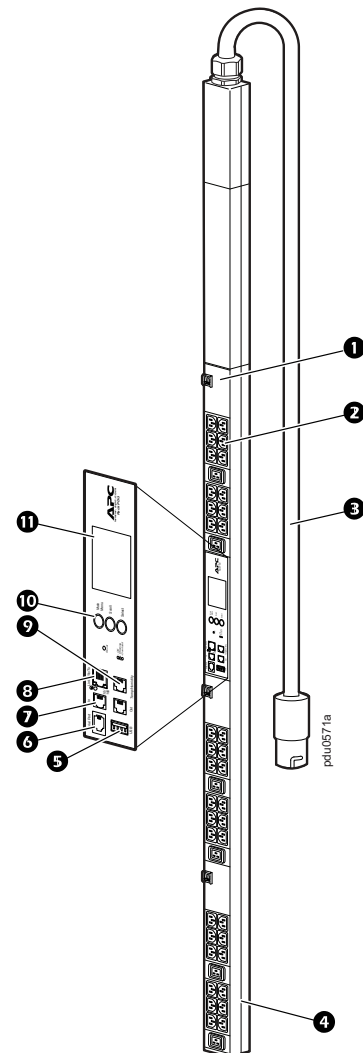
Outlets: The Rack PDU has thirty-six (36) IEC-320-C13 and six (6) IEC-320-C19 locking outlets ❷. (The locking feature is compatible with APC locking input cords and APC locking jumper cords.)

Overcurrent protection: The Rack PDU has three (3) 20 A, UL489 double-pole breakers ❶.

Display interface: The liquid crystal display (LCD) ❶ and input buttons ❶ allow you to monitor current, power, and voltage measurements of the Rack PDU. Local communication can be established through the serial port ❸, and remote communication through the network port ❸. The USB ❹ port allows for firmware upgrades, and the CAN ❷ ports enable data transfer for future expansion options. The environmental sensor port ❹ allows for monitoring of the temperature and humidity of the room or enclosure.

Power cord: The 1.82-m (6-ft) power cord ❸ terminates with a CS8365 connector.

Toolless mounting: The Rack PDU has two (2) toolless mounting pegs ❹ for 0 U mounting capability in a rack or enclosure.



Specifications

AP8868

AP8868US

Electrical

Acceptable input voltage	200-240 VAC +6%, -10%, 3-phase
Maximum input current	35 A UL (derated)
Input frequency	50/60 Hz
Input connection	CS8365
Input power	10.0 kVA UL
Output voltage	200-240 VAC
Maximum output current (outlet)	IEC-320-C13: 12 A; IEC-320-C19: 16 A UL (derated)
Maximum output current (phase)	35 A UL (derated)
Maximum output current (bank)	16 A UL (derated)
Output connections	Thirty-six (36) IEC-320-C13 and six (6) IEC-320-C19

Physical

Dimensions (H x W x D) (depth does not include toolless pegs)	182.9 x 5.6 x 5.1 cm (72.0 x 2.2 x 2.0 in)
Power cord length	1.82 m (6 ft)
Shipping dimensions (H x W x D)	205 x 17 x 11.3 cm (80.7 x 6.7 x 4.4 in)
Weight/shipping weight	8.52 kg (18.8 lb)/11.3 kg (25 lb)

Environmental

Maximum elevation (above MSL) Operating/Storage	0–3 000 m (0–10,000 ft) / 0–15 000 m (0–50,000 ft)
Temperature Operating/Storage	–5 to 60° C (23 to 140° F) / –25 to 65° C (–13 to 149° F)
Humidity Operating/Storage	5–95% RH, non-condensing

Compliance

EMC verification	FCC Part 15, ICES-003	
Safety verification	UL, cUL	
TAA compliant	No	Yes