

I-Line[®] OEM Panelboard Interiors

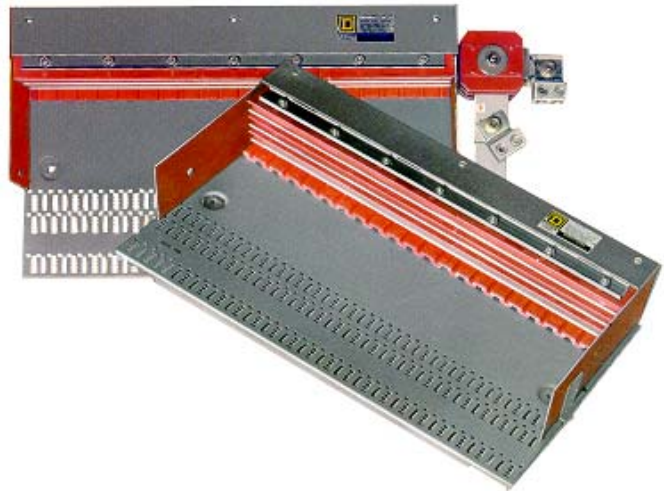
Flexible for Small and Large Applications

Class 2120

Retain for future use.

Designed for Immediate Use in Most Applications

I-Line[®] panelboard interiors from Schneider Electric are designed for immediate use in a multitude of original equipment manufacturers' (OEMs') applications. They are versatile, time-proven panels—built with traditional Schneider Electric quality. I-Line OEM panels are great for the small panel builder or the large equipment manufacturer.



Application Information

Table 1: Application Information

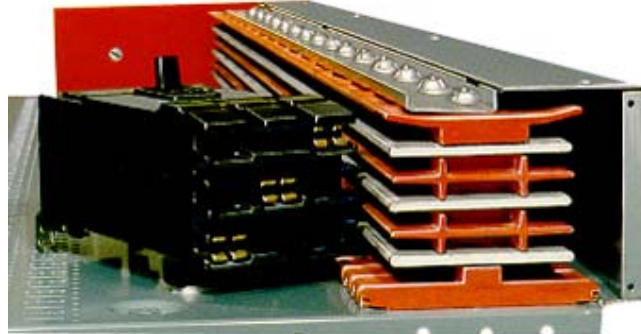
Service	600 Vac Maximum, 250 Vdc Maximum
Mains	1200 A Maximum—Main Lugs
	1200 A Maximum—Main Circuit Breaker
Branches	Molded Case Circuit Breakers
	BD, BG, BJ, BK, HD, HJ, HL, HR, QB, QD, QG, QJ, JD, JG, JJ, JL, JR, LA, LD, LG, LJ, LL, LR, MG, MJ, PG, PJ, PK, PL, RG, RJ, RK, RL
	15–100 A; 1-pole 15–1200 A; 2- and 3-pole
Terminals	Underwriters Laboratories [®] (UL [®]) Listed for the type of wire specified
Federal Specifications	W-P-115b Type 1, Class 1
	W-C 375B (Circuit Breakers)
NEMA Standards	NEMA PB-1
UL Standards¹	UL 67 Panelboards
	UL Component Recognized
	UL Listed Short-Circuit Current Rating (SCCR) (Integrated Equipment Rating)
	UL 489 Circuit Breakers

¹ I-Line OEM interiors are labeled cURus and I-Line chassis interiors are labeled cULus.

Features and Benefits

I-Line Bus Stack

The I-Line panelboard gets its name from its unique single vertical main bus stack. Plated bus bars are supported continuously by molded polyester glass insulators. A large base insulator of the same material aligns with and supports branch breakers. The bus bar stack is held together securely between continuous steel channels with steel bolts jacketed in high dielectric strength, impact-resistant polycarbonate. The mounting design allows simple circuit breaker installation.



Circuit Breakers

All I-Line circuit breakers have integral connectors with absolutely no hardware to assemble. The connection, or plug-on jaws are of a “blow-on” design and permanently fastened to the line end of the circuit breaker. So, they grip the bus bar more firmly during fault conditions.

Choose from a variety of circuit breakers:

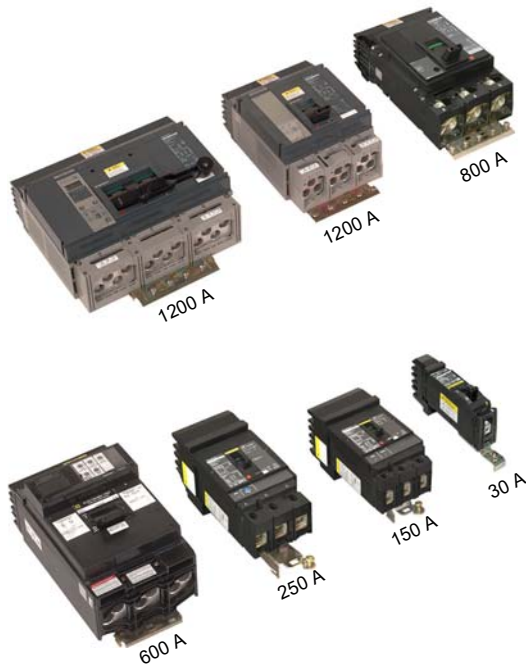


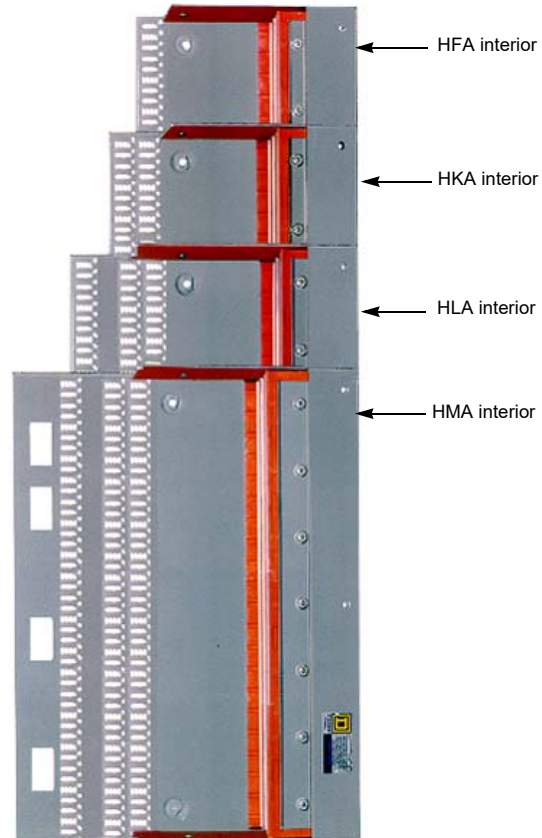
Table 2: Circuit Breakers

Circuit Breaker Type	Description
Micrologic™ Trip	The PowerPact circuit breakers with Micrologic Trip have microprocessor-controlled adjustments for long-time, short-time and instantaneous trip, and optional ground-fault tripping protection.
Thermal-Magnetic	Standard trip breakers come in frame sizes from 100–1200 A. All I-Line circuit breakers have “user-friendly” information written clearly on the front.

Panelboard Interiors

I-Line OEM panelboard interiors are designed to meet the specific needs of OEM customers by truly allowing the freedom of “custom-designing” a panel to suit a specific application. They are the simplest to mount, with pre-tapped mounting holes for channel or pan mounting.

I-Line OEM panels are interiors only. They do not come with boxes, deadfronts, or covers. They are single or double sided, and come as main lug, main circuit breaker or universal bus structures.



Choose from the following types of panelboard interiors:

Table 3: I-Line Interior Types

Panelboard Interior Type	Bus Ratings/Circuit Breakers
HRA	Bus rating of 1000 A and 1200 A at 600 Vac accommodates up to 1200 A trip circuit breakers at 600 Vac
HCJ	Bus rating of 400 A to 800 A main lugs or main breaker at 600 Vac accommodates up to 250 A J-frame feeders
HCP	Bus rating of 400 A to 1200 A main lugs and 400 A to 800 A main breaker at 600 Vac accommodates up to 800 A P-frame feeder
HCPSU	Bus rating of 800 A universal bus at 600 Vac accommodates up to 800 A P-frame circuit breaker
HCRU	Bus rating of 1200 A universal bus at 600 Vac accommodates up to 1200 A R-frame circuit breaker
HFA	Bus rating of 400 A at 600 Vac accommodates up to 150 A trip circuit breakers, or up to 225 A circuit breakers at 240 Vac
HKA	Bus rating of 400 A accommodates up to 250 A trip circuit breakers at 600 Vac
HLA	Bus rating of 400 A accommodates up to 400 A trip circuit breakers at 600 Vac
HMA	Bus ratings of 600, 800, and 1000 A accommodate up to 800 A trip circuit breakers at 600 Vac

With Main Lugs

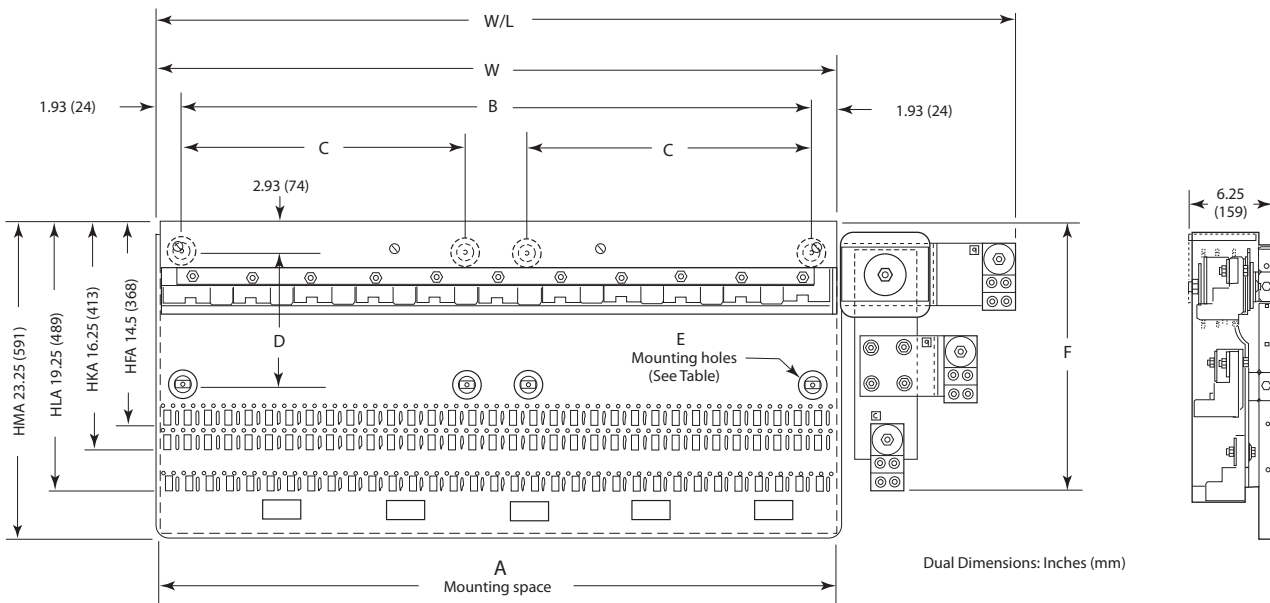
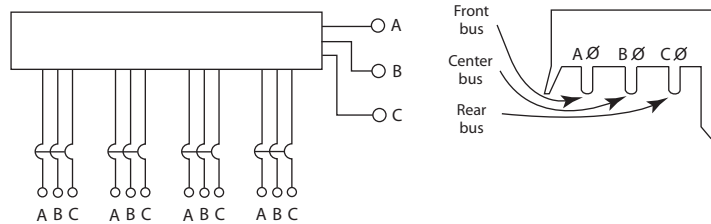
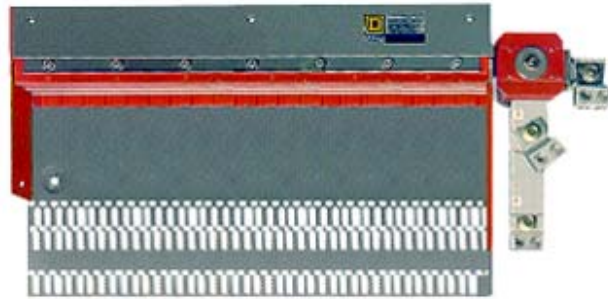


Table 4: I-Line OEM Main Lugs Interior

Catalog Number	Mains Amp. Rating	Branch Mounting Space A IN (mm)	Circuit Breaker Type	W IN (mm)	W/L IN (mm)	B IN (mm)	C IN (mm)	D IN (mm)	E	F IN (mm)
HFA225SL4	400	22.50 (572)	BD, BG, BJ, BK, HD, HJ, HL, HR, QB, QD, QG, QJ	23.38 (594)	31.50 (800)	19.50 (495)	—	8.75 (222)	4	15.88 (403)
HFA315SL4	400	31.50 (800)		32.38 (822)	40.50 (1029)	28.50 (724)	—	8.75 (222)	4	15.88 (403)
HFA495SL4	400	49.50 (1257)		50.38 (1280)	58.50 (1486)	46.50 (1181)	21.00 (533)	8.75 (222)	8	15.88 (403)
HFA675SL4	400	67.50 (1715)		68.38 (1737)	76.50 (1943)	64.50 (1638)	30.00 (762)	8.75 (222)	8	15.88 (403)
HKA225SL4	400	22.50 (572)	BD, BG, BJ, BK, HD, HJ, HL, HR, QB, QD, QG, QJ, JD, JG, JJ, JL, JR	23.38 (594)	31.50 (800)	19.50 (495)	—	8.75 (222)	4	15.88 (403)
HKA315SL4	400	31.50 (800)		32.38 (822)	40.50 (1029)	28.50 (724)	—	8.75 (222)	4	15.88 (403)
HKA495SL4	400	49.50 (1257)		50.38 (1280)	58.50 (1486)	46.50 (1181)	21.00 (533)	8.75 (222)	8	15.88 (403)
HKA675SL4	400	67.50 (1715)		68.38 (1737)	76.50 (1943)	64.50 (1638)	30.00 (762)	8.75 (222)	8	15.88 (403)
HLA225SL4	400	22.50 (572)	BD, BG, BJ, BK, HD, HJ, HL, HR, QB, QD, QG, QJ, JD, JG, JJ, JL, JR, LA, LD, LG, LJ, LL, LR, MG, MJ, PG, PJ, PK, PL	23.38 (594)	31.50 (800)	19.50 (495)	—	8.75 (222)	4	15.88 (403)
HLA315SL4	400	31.50 (800)		32.38 (822)	40.50 (1029)	28.50 (724)	—	8.75 (222)	4	15.88 (403)
HLA495SL4	400	49.50 (1257)		50.38 (1280)	58.50 (1486)	46.50 (1181)	21.00 (533)	8.75 (222)	8	15.88 (403)
HMA225SL8	800	22.50 (572)		BD, BG, BJ, BK, HD, HJ, HL, HR, QB, QD, QG, QJ, JD, JG, JJ, JL, JR, LA, LD, LG, LJ, LL, LR, MG, MJ, PG, PJ, PK, PL	23.38 (594)	36.38 (924)	19.50 (495)	—	9.75 (248)	4
HMA315SL8	800	31.50 (800)	32.38 (822)		45.38 (1153)	28.50 (724)	—	9.75 (248)	4	19.88 (505)
HMA495SL8	800	49.50 (1257)	50.38 (1280)		63.38 (1610)	46.50 (1181)	21.00 (533)	9.75 (248)	8	19.88 (505)
HMA675SL8	800	67.50 (1715)	68.38 (1737)		81.38 (2067)	64.50 (1638)	30.00 (762)	9.75 (248)	8	19.88 (505)
HMA315SL10	1000	31.50 (800)	32.38 (822)		45.38 (1153)	28.50 (724)	—	9.75 (248)	4	19.88 (505)
HMA495SL10	1000	49.50 (1257)	50.38 (1280)		63.38 (1610)	46.50 (1181)	21.00 (533)	9.75 (248)	8	19.88 (505)
HMA675SL10	1000	67.50 (1715)	68.38 (1737)		81.38 (2067)	64.50 (1638)	30.00 (762)	9.75 (248)	8	19.88 (505)
HRA495SB10	1000	49.5 (1257)	BD, BG, BJ, BK, HD, HJ, HL, HR, QB, QD, QG, QJ, JD, JG, JJ, JL, JR, LA, LD, LG, LJ, LL, LR, MG, MJ, PG, PJ, PK, PL, RG, RJ, RK, RL		50.34 (1279)	65.77 (1671)	46.50 (1181)	21.00 (533)	11.40 (290)	8

ENGLISH

Universal Bus

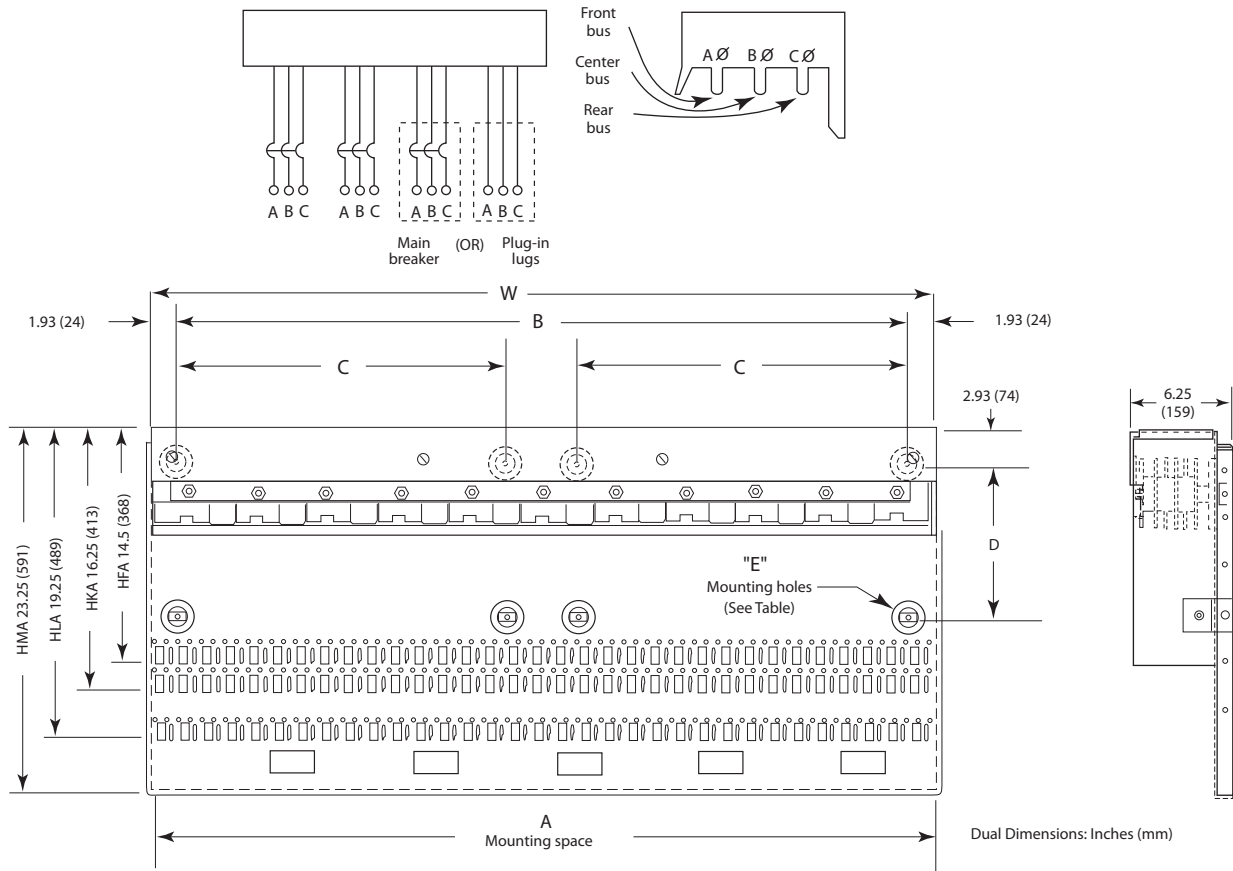


Table 5: I-Line OEM universal (main lugs or main breaker) Interiors

Catalog Number	Mains Amp. Rating	Branch Mounting Space A IN (mm)	Circuit Breaker Type	W IN (mm)	B IN (mm)	C IN (mm)	D IN (mm)	E
HFA225S4	400	22.50 (572)	BD, BG, BJ, BK, HD, HJ, HL, HR, QB, QD, QG, QJ	23.38 (594)	19.50 (495)	—	8.75 (222)	4
HFA315S4	400	31.50 (800)		32.38 (822)	28.50 (724)	—		4
HFA495S4	400	49.50 (1257)		50.38 (1280)	46.50 (1181)	21.00 (533)		8
HFA675S4	400	67.50 (1715)		68.38 (1737)	64.50 (1638)	30.00 (762)		8
HKA225S4	400	22.50 (572)	BD, BG, BJ, BK, HD, HJ, HL, HR, QB, QD, QG, QJ, JD, JG, JJ, JL, JR	23.38 (594)	19.50 (495)	—	8.75 (222)	4
HKA315S4	400	31.50 (800)		32.38 (822)	28.50 (724)	—		4
HKA495S4	400	49.50 (1257)		50.38 (1280)	46.50 (1181)	21.00 (533)		8
HKA675S4	400	67.50 (1715)		68.38 (1737)	64.50 (1638)	30.00 (762)		8
HLA225S4	400	22.50 (572)	BD, BG, BJ, BK, HD, HJ, HL, HR, QB, QD, QG, QJ, JD, JG, JJ, JL, JR, LA, LD, LG, LJ, LL, LR	23.38 (594)	19.50 (495)	—	8.75 (222)	4
HLA315S4	400	31.50 (800)		32.38 (822)	28.50 (724)	—		4
HLA495S4	400	49.50 (1257)		50.38 (1280)	46.50 (1181)	21.00 (533)		8
HMA315S8	800	31.50 (800)	BD, BG, BJ, BK, HD, HJ, HL, HR, QB, QD, QG, QJ, JD, JG, JJ, JL, JR, LA, LD, LG, LJ, LL, LR, MG, MJ, PG, PJ, PK, PL	32.38 (822)	28.50 (724)	—	9.75 (248)	4
HMA495S8	800	49.50 (1257)		50.38 (1280)	46.50 (1181)	21.00 (533)		8
HMA675S8	800	67.50 (1715)		68.38 (1737)	64.50 (1638)	30.00 (762)		8
HRA315S10	1000	31.5 (800)	BD, BG, BJ, BK, HD, HJ, HL, HR, QB, QD, QG, QJ, JD, JG, JJ, JL, JR, LA, LD, LG, LJ, LL, LR, MG, MJ, PG, PJ, PK, PL, RG, RJ, RK, RL	32.38 (822)	28.50 (724)	—	11.40	4
HRA450S12	1200	45.0 (1143)		45.84 (1164)	42.00 (1067)	16.50 (149)	11.40	8
HRA495S08	800	49.5 (1257)		50.34 (1279)	46.50 (1181)	21.00 (533)	11.40	8
HRA495S10	1000	49.5 (1257)		50.34 (1279)	46.50 (1181)	21.00 (533)	11.40	8
HRA495S12	1200	49.5 (1257)		50.34 (1279)	46.50 (1181)	21.00 (533)	11.40	8

Figure 1: I-Line Chassis Main Lugs Interiors

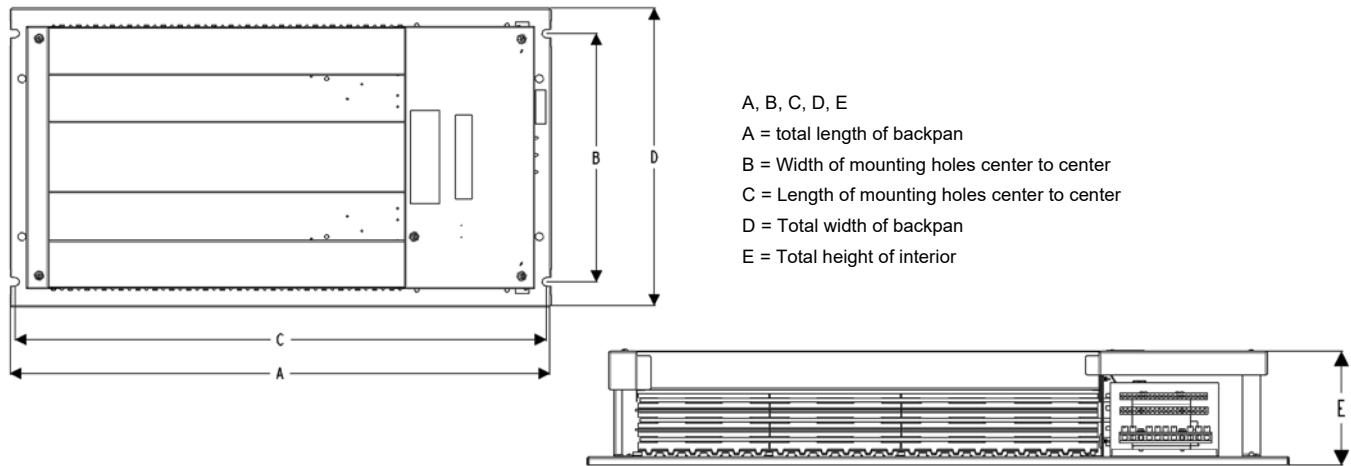


Table 6: I-Line Chassis Main Lugs Interior

Catalog Number	Mains Amp. Rating	Branch Mounting Space A IN (mm)	Circuit Breaker Type	A IN (mm)	B IN (mm)	C IN (mm)	D IN (mm)	E IN (mm)
HCJ14484	400	27 (686)	BD, BG, BJ, QB, QD, QJ, HD, HG, HJ, HL, HR, JD, JG, JJ, JL, JR	30 (762)	29 (737)	26.4 (671)	8.9 (226)	
HCJ14484CU								
HCJ14486	600							
HCJ14486CU								
HCJ14488	800							
HCJ23734	400							63 (1600)
HCJ23736	600							
HCJ23738	800							
HCJ32734	400							
HCJ32736	600							
HCJ32736CU	800							
HCJ32738	800							
HCJ50914	400	99 (2515)	BD, BG, BJ, QB, QD, QJ, HD, HG, HJ, HL, HR, JD, JG, JJ, JL, JR	66 (1676)	65 (1651)			
HCJ50916	600							
HCJ50918	800							
HCP14504	400	27 (686)	BD, BG, BJ, QB, QD, QJ, HD, HG, HJ, HL, HR, JD, JG, JJ, JL, JR, LA, LH, LD, LG, LJ, LL, LR, MG, MJ, PG, PJ, PL, PGC, PJC, PLC	30 (762)	30 (762)	29 (737)	34.4 (874)	8.9 (226)
HCP14506	600							
HCP14508	800							
HCP145012N	1200					35.4 (899)	8.9 (226)	
HCP23594	400	45 (1143)	BD, BG, BJ, QB, QD, QJ, HD, HG, HJ, HL, HR, JD, JG, JJ, JL, JR, LA, LH, LD, LG, LJ, LL, LR, MG, MJ, PG, PJ, PL, PGC, PJC, PLC	39 (991)	30 (762)	38 (965)	34.4 (874)	8.9 (226)
HCP23596	600							
HCP23598	800							
HCP235912N	1200						35.4 (899)	8.9 (226)
HCP32684	400	63 (1600)	BD, BG, BJ, QB, QD, QJ, HD, HG, HJ, HL, HR, JD, JG, JJ, JL, JR, LA, LH, LD, LG, LJ, LL, LR, MG, MJ, PG, PJ, PL, PGC, PJC, PLC	48 (1219)	30 (762)	47 (1194)	34.4 (874)	8.9 (226)
HCP32686	600							
HCP32688	800							
HCP326812N	1200						35.4 (899)	8.9 (226)
HCP50864	400	99 (2515)	BD, BG, BJ, QB, QD, QJ, HD, HG, HJ, HL, HR, JD, JG, JJ, JL, JR, LA, LH, LD, LG, LJ, LL, LR, MG, MJ, PG, PJ, PL, PGC, PJC, PLC	66 (1676)	30 (762)	65 (1651)	34.4 (874)	8.9 (226)
HCP50866	600							
HCP50868	800							
HCP508612N	1200							

Figure 2: I-Line Chassis Main Circuit Breaker Interiors

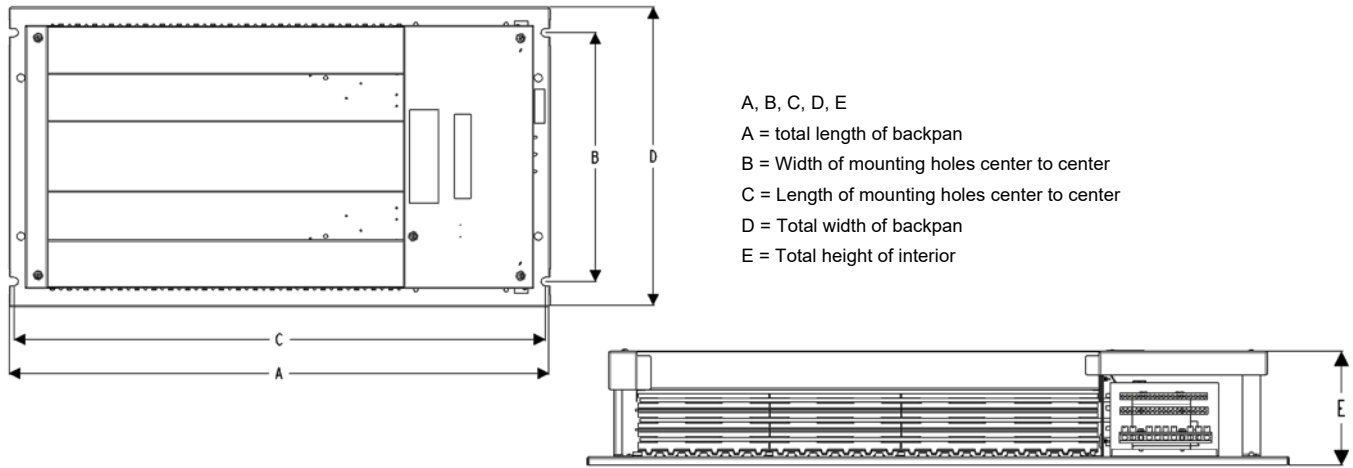


Table 7: I-Line Chassis Main Breaker Interiors

Catalog Number	Mains Amp. Rating	Branch Mounting Space	Circuit Breaker Type	A IN (mm)	B IN (mm)	C IN (mm)	D IN (mm)	E IN (mm)		
HCJ14734M	400	27	BD, BG, BJ, QB, QD, QJ, HD, HG, HJ, HL, HR, JD, JG, JJ, JL, JR	48 (1219)	22 (559)	47 (1194)	26.4 (671)	8.8 (224)		
HCJ18736MP	600	36								
HCJ18738MP	800	36								
HCJ23734M	400	45								
HCJ36916MP	600	72		66 (1676)	65 (1651)	26.4 (671)	8.8 (224)			
HCJ36918MP	800									
HCJ41914M	400									
HCJ41914MCU	400									
HCP18686M	600	36 (914)	BD, BG, BJ, QB, QD, QJ, HD, HG, HJ, HL, HR, JD, JG, JJ, JL, JR, LA, LD, LG, LJ, LL, LR, MG, MJ, PG, PJ, PL, PGC, PJC, PLC	48 (1219)	30 (762)	47 (1194)	34.4 (874)	8.8 (224)		
HCP18688M	800									
HCP36866M	600			72 (1829)		66 (1676)	65 (1651)		34.4 (874)	8.8 (224)
HCP36868M	800									

Table 8: Complete Panelboard Components

Catalog Number	Mains Amp. Rating	Circuit Breaker Type	Branch Mounting Space A IN (mm)	Box	4 Piece Trim without Door ¹	Trim With Door ¹
HCJ14484	400	Main Lugs Only	27	HC3248DB9	HCM48T()	HCM48T()D
HCJ14484CU						
HCJ14486	600					
HCJ14486CU						
HCJ14488	800					
HCJ23734	400		45	HC3273DB9	HCM73T()	HCM73T()D
HCJ23736	600					
HCJ23738	800					
HCJ32734	400		63	HC3291DB9	HCM91T()	HCM91T()D
HCJ32734CU						
HCJ32736	600					
HCJ32736CU						
HCJ32738	800					
HCJ50914	400					
HCJ50916	600					
HCJ50918	800					
HCP14504	400		27 (686)	HC4259DB	HCW59T()	HCW59T()D
HCP14506	600					
HCP14508	800		45 (1143)	HC4268DB	HCW68T()	HCW68T()D
HCP145012N	1200					
HCP23594	400					
HCP23596	600		63 (1600)	HC4286DB	HCW86T()	HCW86T()D
HCP23598	800					
HCP235912N	1200					
HCP32684	400		99 (2515)	HC3273DB9	HCM73T()	HCM73T()D
HCP32686	600					
HCP32688	800					
HCP326812N	1200		72	HC3291DB9	HCM91T()	HCM91T()D
HCP50864	400					
HCP50866	600					
HCP50868	800	81	HC4268DB	HCW68T()	HCW68T()D	
HCP508612N	1200					
HCJ14734M	400	Main Circuit Breaker	27	HC4286DB	HCW86T()	HCW86T()D
HCJ18736MP	600					
HCJ18738MP	800					
HCJ23734M	400		36	HC3273DB9	HCM73T()	HCM73T()D
HCJ36916MP	600					
HCJ36918MP	800		45	HC3291DB9	HCM91T()	HCM91T()D
HCJ41914M	400					
HCJ41914MCU			600			
HCP18686M	800		72	HC4268DB	HCW68T()	HCW68T()D
HCP18688M	600					
HCP36866M	800		81	HC4286DB	HCW86T()	HCW86T()D
HCP36868M	600					
HCP36868M	800	36 (914)	HC4286DB	HCW86T()	HCW86T()D	
	600					
	800	72 (1829)	HC4286DB	HCW86T()	HCW86T()D	
	600					
	800					

¹ To complete part number, replace parenthesis with F for flush mounting or S for surface mounting.

ENGLISH

Schneider Electric USA, Inc.
800 Federal Street
Andover, MA 01810 USA
888-778-2733
www.schneider-electric.us

Electrical equipment should be installed, operated, serviced, and maintained only by qualified personnel. No responsibility is assumed by Schneider Electric for any consequences arising out of the use of this material.

Schneider Electric and Square D are trademarks and the property of Schneider Electric SE, its subsidiaries, and affiliated companies. All other trademarks are the property of their respective owners.

© 1986–2019 Schneider Electric All Rights Reserved