

PLEASE NOTE

- Electrical equipment should be installed, operated, serviced, and maintained only by qualified personnel.
- No responsibility is assumed by Schneider Electric for any consequences arising out of the use of this material.

请注意

- 电气设备的安装、操作、维修和维护工作仅限于合格人员执行。
- Schneider Electric 不承担由于使用本资料所引起的任何后果。

⚠ ⚠ DANGER / 危险



HAZARD OF ELECTRIC SHOCK, EXPLOSION, OR ARC FLASH

Disconnect all power before servicing equipment.
Failure to follow these instructions will result in death or serious injury.

电击、爆炸或弧闪的危险

在此电力设备上工作时, 请先切断所有电源。
不遵循上述规定将可能导致人员伤亡。

⚠ ⚠ WARNING / 警告

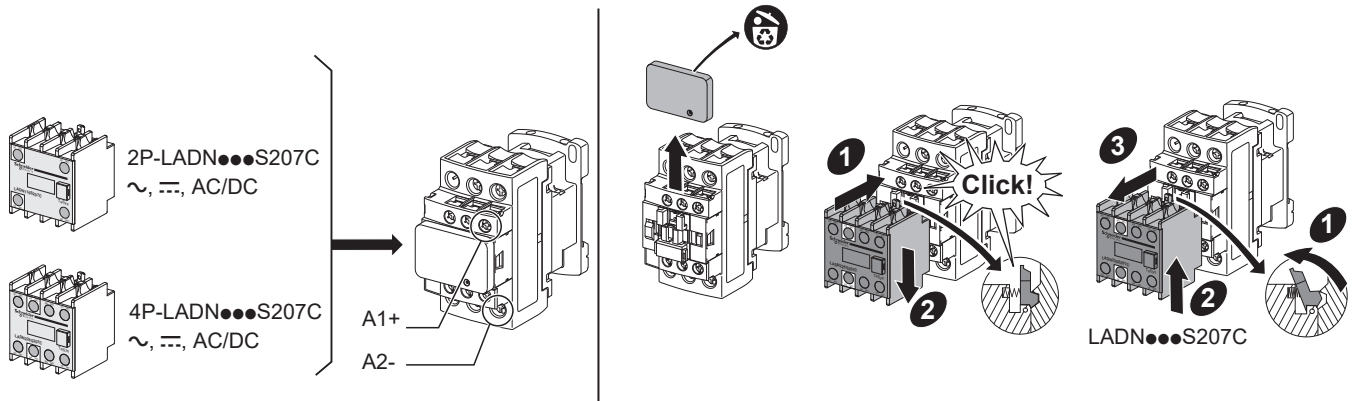
HAZARD OF FIRE OR ELECTRIC SHOCK (FOR CONTACTOR WITH UL HI-FAULT SHORT CIRCUIT CURRENT RATINGS ONLY)

- The opening of the branch-circuit protective device may be an indication that a fault current has been interrupted.
- To reduce the risk of fire or electric shock, current-carrying parts and the other components of the controller should be examined and replaced if damaged.

Failure to follow these instructions can result in death, serious injury, or equipment damage.

可能有火灾或者触电的危险 (仅限UL高故障短路电流额定值的接触器)

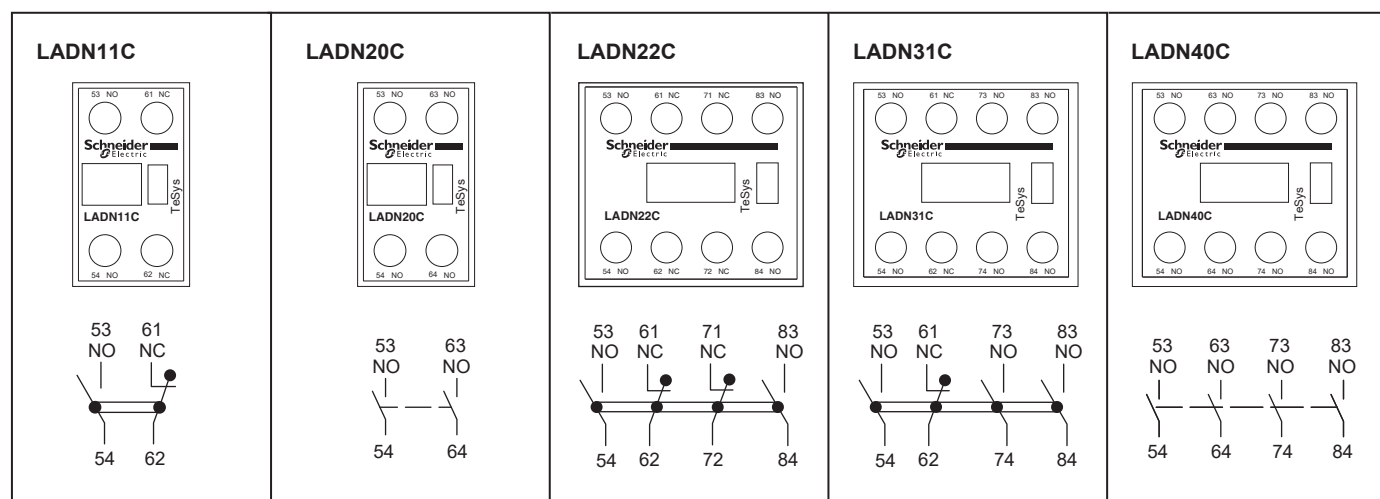
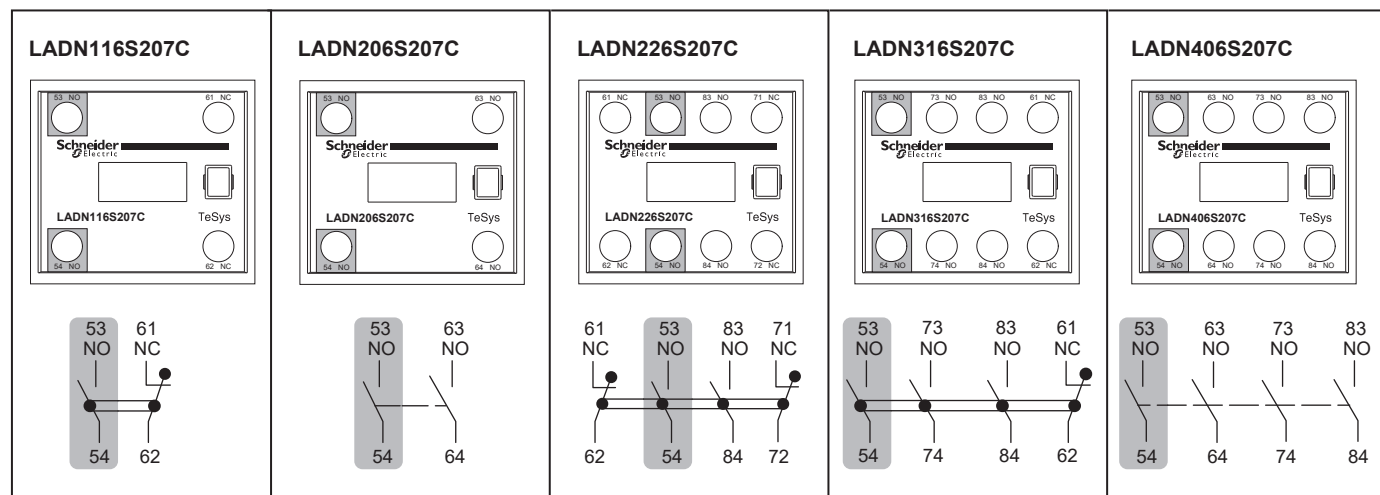
- 支路保护设备断开, 表明故障电流已被中断。
 - 为降低火灾或触电风险, 应检查带电部件和其他控制元件, 如有损坏, 需及时更换。
- 不遵循上述说明可能导致人员伤亡或设备损坏。**



3P AC TeSys Deca contactors are grade 3 (LC1D09 -> LC1D18) and grade 2 (LC1D25 -> LC1D38) according to GB 21518.
 Maximum power consumption lower than 9.5 VA.
 根据 GB 21518 标准, 三极 TeSys Deca 系列交流接触器能效等级为 3 级 (LC1D09 -> LC1D18) 和 2 级 (LC1D25 -> LC1D38),
 产品最大吸持功率低于 9.5 VA

Note the difference in NO/NC positions between LADN●●●S207C and LADN●●C.
LADN●●●S207C: This auxiliary block only supports standard coil contactor installation.

注意 LADN●●●S207C 和 LADN●●C 之间 NO/NC 位置的不同。
LADN●●●S207C: 此辅助模块仅支持标准线圈接触器安装。



Cu 75 °C			
LADN●●●S207C			
	Ø 8 mm	6 mm	PZ2 1.7 N.m

Schneider Electric Industries SAS
 35, rue Joseph Monier
 CS30323
 F - 92500 Rueil-Malmaison
 www.se.com

Schneider Electric Limited
 Stafford Park 5
 Telford, TF3 3BL
 United Kingdom
 www.se.com/uk

