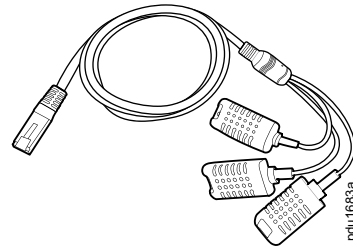
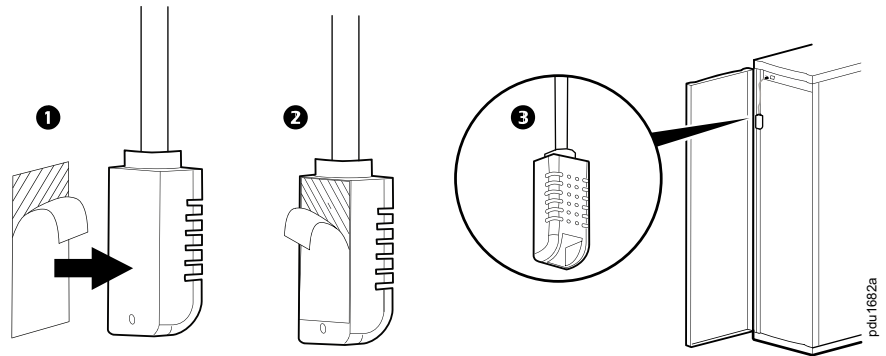


Easy PDU Temperature/Humidity Sensor EPDU-TH3

Installation



1. Peel the backing off one side of the double-sided mounting tape.
2. Apply the mounting tape to the back of the sensors.
3. Peel the backing off the other side of the mounting tape and press the sensors to the chosen location.



4. Route the cable to your monitoring appliance.
5. Use cable ties (not provided) to secure the cable.
6. Connect the RJ45 connector at the end of the sensor cable to the appropriate port of the monitoring appliance.

Specifications

Electrical	
Supply Voltage	3.3 - 5.5 VDC
Output	Digital (1 WIRE)
Physical	
Cable Length	Maximum: 2.7 m (8.86 ft) Minimum: 2.3 m (7.55 ft)
Dimensions (L x W x H)	53 x 26 x 13 mm (2.09 x 1.02 x 0.51 in)
Shipping dimensions (L x W x H)	210 x 144 x 40 mm (8.27 x 5.67 x 1.57 in)
Weight	0.11 kg (0.24 lb)
Shipping weight	0.25 kg (0.55 lb)
Environmental	
Temperature: Operating range	-40 to +80 °C
Typical accuracy	±0.5 °C
Temperature response time	5 seconds
Resolution	0.1 °C
Relative Humidity: Operating Range	0~99.9% RH
Typical accuracy	±3% RH
Humidity response time	5 seconds
Resolution	0.1% RH
Compliance	
Safety verification	CE
Environmental	RoHS and Reach