

# Symmetra PX

10–40 kW 208 V

## Receiving and Unpacking

08/2015



# Legal Information

The Schneider Electric brand and any registered trademarks of Schneider Electric Industries SAS referred to in this guide are the sole property of Schneider Electric SA and its subsidiaries. They may not be used for any purpose without the owner's permission, given in writing. This guide and its content are protected, within the meaning of the French intellectual property code (Code de la propriété intellectuelle français, referred to hereafter as "the Code"), under the laws of copyright covering texts, drawings and models, as well as by trademark law. You agree not to reproduce, other than for your own personal, noncommercial use as defined in the Code, all or part of this guide on any medium whatsoever without Schneider Electric's permission, given in writing. You also agree not to establish any hypertext links to this guide or its content. Schneider Electric does not grant any right or license for the personal and noncommercial use of the guide or its content, except for a non-exclusive license to consult it on an "as is" basis, at your own risk. All other rights are reserved.

Electrical equipment should be installed, operated, serviced, and maintained only by qualified personnel. No responsibility is assumed by Schneider Electric for any consequences arising out of the use of this material.

As standards, specifications, and designs change from time to time, please ask for confirmation of the information given in this publication.

---

# Table of Contents

Important Safety Information .....	5
Safety Precautions .....	6
Storage Conditions.....	7
Weights and dimensions.....	7
Receiving .....	8
Move to Installation Site .....	9
Clearance.....	9
Unpack the UPS Cabinet .....	10



# Important Safety Information

Read these instructions carefully and look at the equipment to become familiar with it before trying to install, operate, service or maintain it. The following safety messages may appear throughout this manual or on the equipment to warn of potential hazards or to call attention to information that clarifies or simplifies a procedure.



The addition of this symbol to a “Danger” or “Warning” safety message indicates that an electrical hazard exists which will result in personal injury if the instructions are not followed.



This is the safety alert symbol. It is used to alert you to potential personal injury hazards. Obey all safety messages with this symbol to avoid possible injury or death.

## **DANGER**

**DANGER** indicates a hazardous situation which, if not avoided, **will result in death or serious injury**.

**Failure to follow these instructions will result in death or serious injury.**

## **WARNING**

**WARNING** indicates a hazardous situation which, if not avoided, **could result in death or serious injury**.

**Failure to follow these instructions can result in death, serious injury, or equipment damage.**

## **CAUTION**

**CAUTION** indicates a hazardous situation which, if not avoided, **could result in minor or moderate injury**.

**Failure to follow these instructions can result in injury or equipment damage.**

## **NOTICE**

**NOTICE** is used to address practices not related to physical injury. The safety alert symbol shall not be used with this type of safety message.

**Failure to follow these instructions can result in equipment damage.**

## **Please Note**

Electrical equipment should only be installed, operated, serviced, and maintained by qualified personnel. No responsibility is assumed by Schneider Electric for any consequences arising out of the use of this material.

A qualified person is one who has skills and knowledge related to the construction, installation, and operation of electrical equipment and has received safety training to recognize and avoid the hazards involved.

## **Safety Precautions**

### **⚠ WARNING**

#### **HAZARD OF ELECTRIC SHOCK, EXPLOSION, OR ARC FLASH**

- Do not unpack the units before the time of installation.
- Cover the units and store the units in an indoor, temperature-controlled area, free of conductive contaminants, where the units are protected from moisture until the time of startup. Moisture inside the cabinet can create hazardous short-circuits.

**Failure to follow these instructions can result in death, serious injury, or equipment damage.**




## ⚠ CAUTION

### RISK OF EQUIPMENT DAMAGE

- Wait until the system is ready to be powered up before installing batteries in the system. The time duration from battery installation until the UPS system is powered up must not exceed 72 hours or 3 days.
- Batteries must not be stored more than six months due to the requirement of recharging. If the UPS system remains de-energized for a long period, we recommend that you energize the UPS system for a period of 24 hours at least once every month. This charges the batteries, thus avoiding irreversible damage.

**Failure to follow these instructions can result in injury or equipment damage.**

## Storage Conditions

		
Storage temperature: -15 °C to 40 °C (5 °F to 104 °F)	Relative humidity: 0–95% non-condensing	Altitude: 0–15000 m (0–50000 ft)

## Weights and dimensions

UPS	Weight kg (lbs)	Height mm (in)	Width mm (in)	Depth mm (in)
Symmetra PX 10 kW Scalable to 40 kW N +1, 208V	406.18 (895)	2070 (81.5)	600 (23.62)	902 (35.50)
Symmetra PX 20 kW Scalable to 40 kW N +1, 208V	529.55 (1165)	2070 (81.5)	600 (23.62)	902 (35.50)
Symmetra PX 30 kW Scalable to 40 kW N +1, 208V	652.27 (1435)	2070 (81.5)	600 (23.62)	902 (35.50)
Symmetra PX 40 kW Scalable to 40 kW N +1, 208V	775 (1705)	2070 (81.5)	600 (23.62)	902 (35.50)

# Receiving

## External Inspection

When the shipment arrives, inspect the shipping material for any signs of damage or mishandling. Check tilt and impact indicators. Do not attempt to install the system if a damage is apparent. If any damage is noted, contact Schneider Electric and file a damage claim with the shipping agency within 24 hours.

Compare the components of the shipment with the bill of lading. Report any missing items to the carrier and to Schneider Electric immediately.

Verify that labelled units match the order confirmation.



# Move to Installation Site

## NOTICE

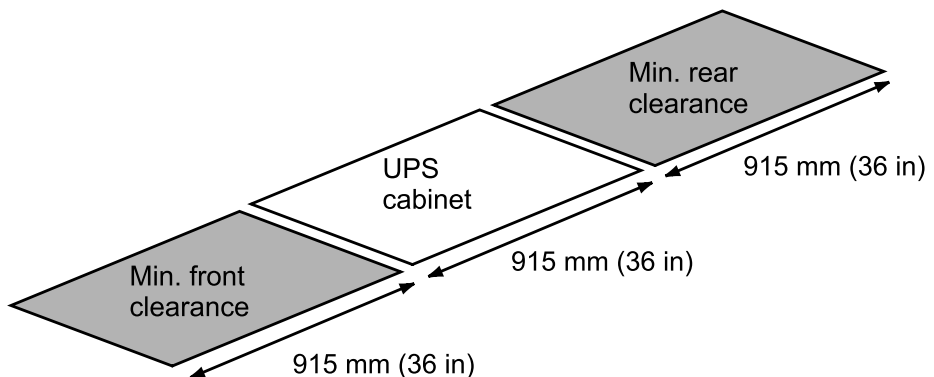
### HAZARD OF EQUIPMENT DAMAGE

- Do not tip the cabinet more than 10° as it will cause damage to the cabinet.
- Ensure that the floor and the subfloor can support the total weight of the system, especially when the weight is concentrated on the stabilizing feet.
- Ensure that the floor is level. The cabinet cannot be installed on a floor that is not level.
- Use a pallet jack or a forklift to move the pallets to the installation site.
- If the height of the cabinet exceeds the height of the doorway, remove the cabinet from the pallet.

**Failure to follow these instructions can result in equipment damage.**

## Clearance

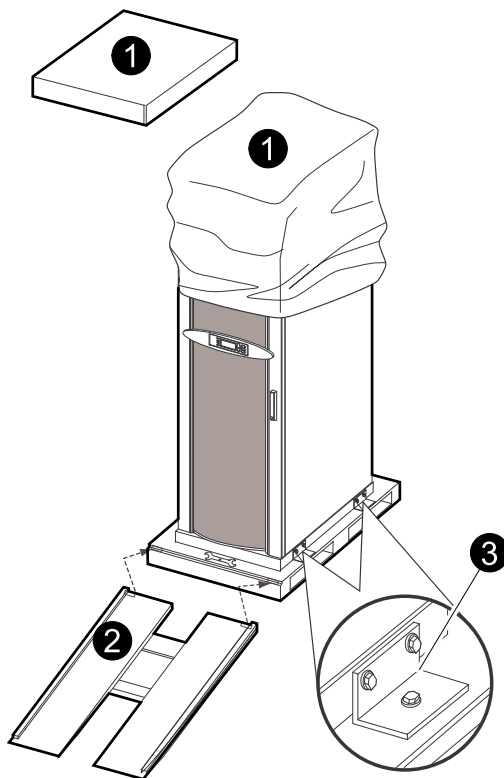
**NOTE:** Clearance dimensions are published for airflow and service access only. Consult with the local safety codes and standards for additional requirements in your local area.



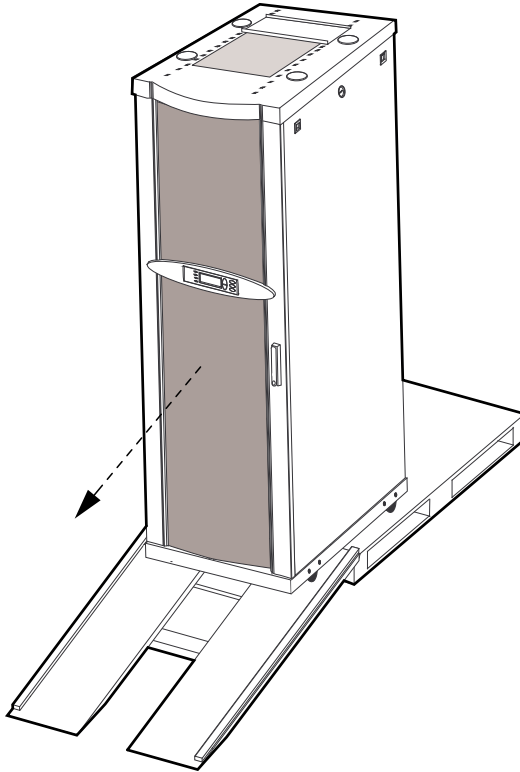
# Unpack the UPS Cabinet

**NOTE:** The shipping materials are recyclable. Save them for later use, or dispose of them appropriately.

1. Remove the wrapping, foam corners, cardboard top cover, and plastic bag from the UPS cabinet.
2. Place the ramp as shown in the illustration. Align the velcro strips on the ramp with the velcro strips on the front edge of the wooden pallet.
3. Remove the 14 mm hex bolts from the four shipping brackets with the supplied wrench.



4. Roll the UPS cabinet down the ramp – two people are needed for this procedure as the UPS cabinet is heavy.



5. Roll the UPS cabinet to the final location.

Schneider Electric  
35 rue Joseph Monier  
92500 Rueil Malmaison  
France

+ 33 (0) 1 41 29 70 00

[www.schneider-electric.com](http://www.schneider-electric.com)

As standards, specifications, and design change from time to time, please ask for confirmation of the information given in this publication.

© 2015 – 2015 Schneider Electric. All rights reserved.

990–4150C-001