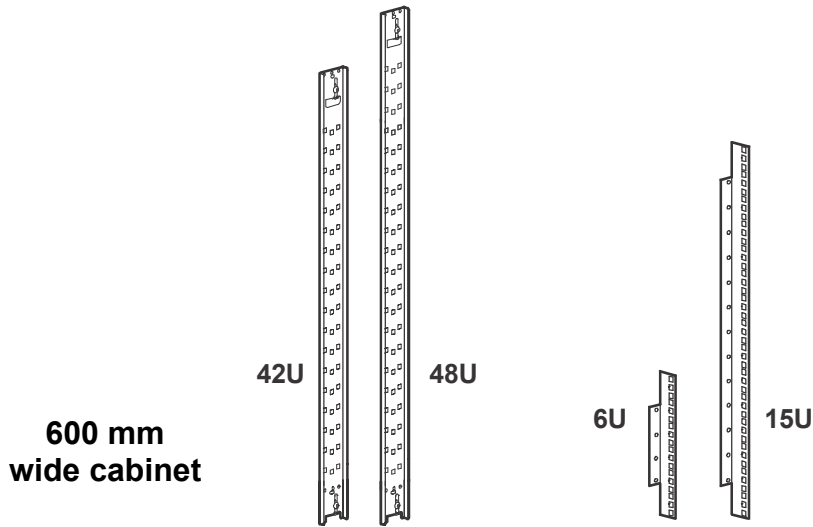
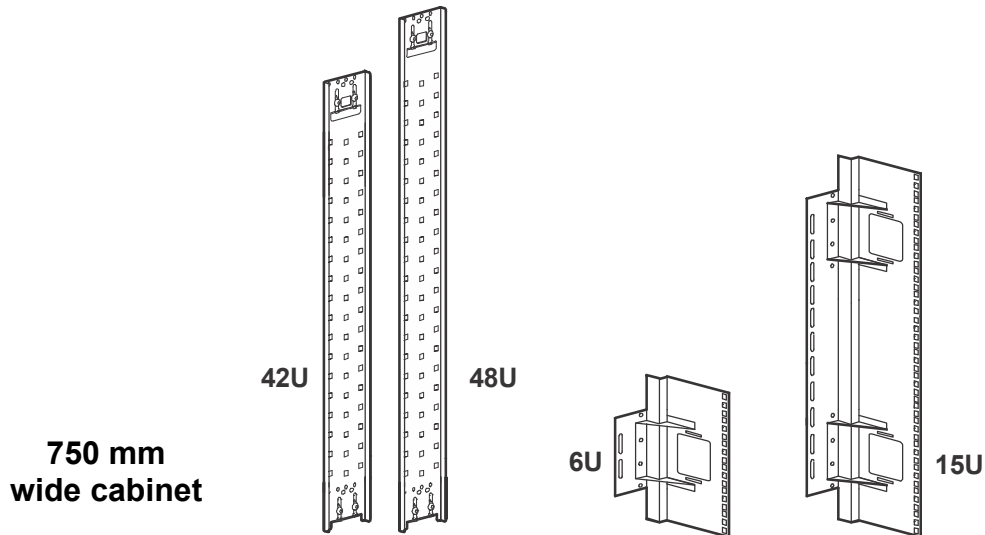


Recessed Rail Kit for NetShelter™ SX Cabinets

AR7503, AR7504, AR7508, AR7578

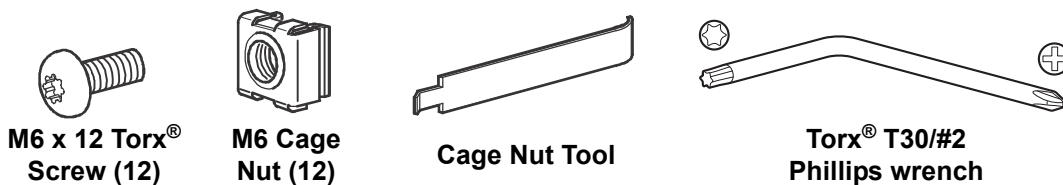


AR7503	42U (2)	(2 each)
AR7504	48U (2)	



AR7508	42U (2)	(2 each)
AR7578	48U (2)	

Hardware and Tools required (provided)



M6 x 12 Torx®
Screw (12)

M6 Cage
Nut (12)

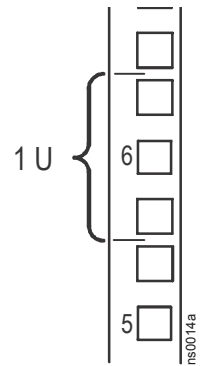
Cage Nut Tool

Torx® T30/#2
Phillips wrench

Cage Nuts

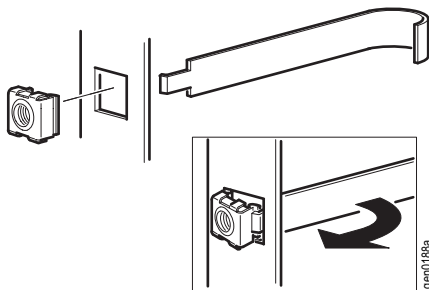
Identify one U-space on the Vertical Mounting Flange

- Review the equipment manufacturer's installation instructions.
- When installing equipment, locate the top and bottom of a U-space on the mounting rails.
- Every third hole on the mounting rails is numbered to indicate the middle of a U-space.
- A U-space consists of one of these numbered holes and one hole directly above and below it, as shown



Installation

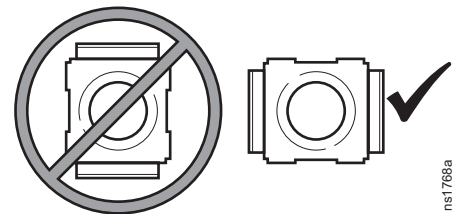
Schneider Electric offers a cage nut hardware kit (AR8100) for use with square holes.



- From inside of the enclosure, insert the cage nut into the square hole.
- Hook one ear of the cage nut assembly through the far side of the hole.
- Place the cage nut tool on the other side of the cage nut and pull to snap into position.

NOTES:

- Install cage nuts horizontally, with the ears engaging the sides of the square hole.
- Install the cage nuts on the interior of the vertical mounting flange.



⚠ CAUTION

HAZARD OF FALLING EQUIPMENT

Never install cage nuts vertically with the ears engaging the top and bottom of the square hole. This will result in insecure mounting for rack-mounted equipment.

Failure to follow these instructions can result in injury or equipment damage.

Removal

- Remove any attached screw.
- Grasp the cage nut and squeeze the sides to release it from the square hole.

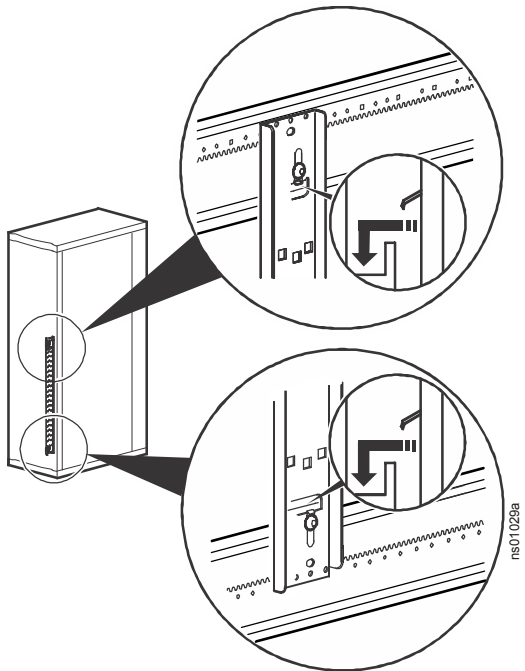
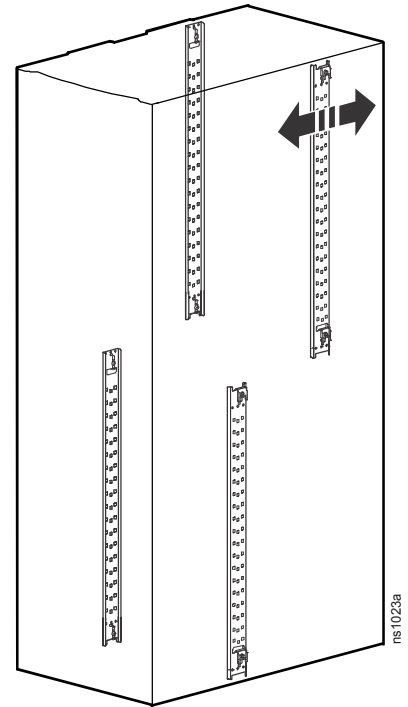
Installation and Operation of the Vertical Mounting Flanges

Location of the Vertical Mounting Flanges

Determine the location to install the mounting flanges.

The vertical mounting flanges can be mounted on the top or bottom of the cabinet.

The mounting flanges are adjusted toward the front or the rear of the cabinet to accommodate equipment with other depths.



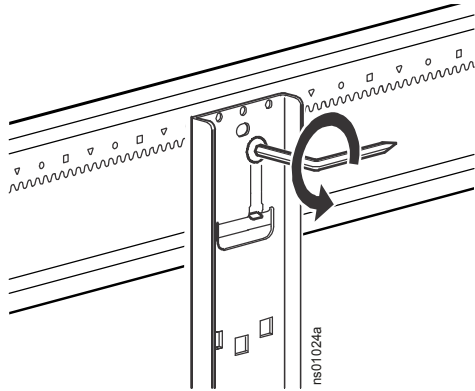
Installation

1. Place the vertical mounting flange onto the cabinet side brace. Make sure that both the top and the bottom of the flange are attached to either the top and middle, or the middle and bottom side braces of the cabinet, depending on the mounting flange location.
2. Repeat Step 1 for the opposite side of the cabinet.

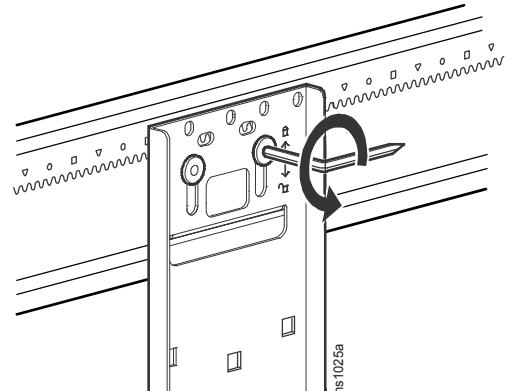
NOTE: All vertical mounting flanges attach to the cabinet using the same procedure.

Adjusting the Vertical Mounting Flanges on the Side Braces

1. Use the T30/Phillips #2 wrench to loosen, but not remove, the screws in the slots of each mounting flange.



600 mm wide cabinet



750 mm wide cabinet

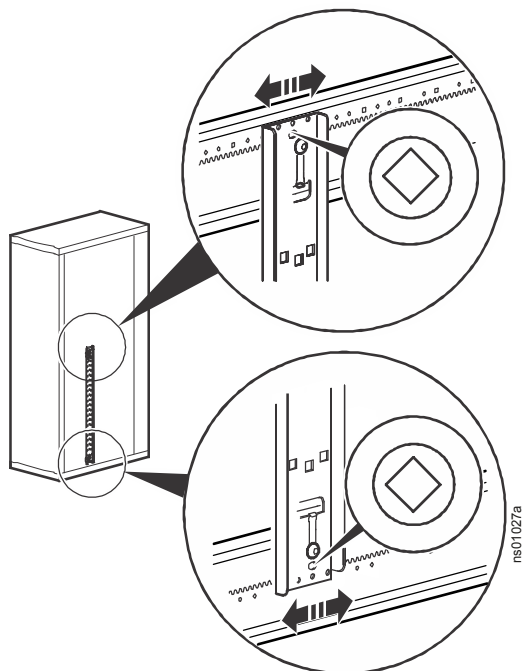
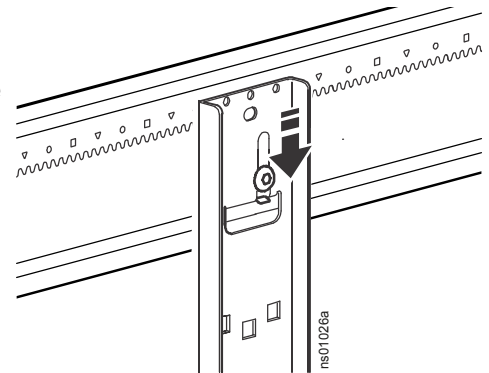
⚠ CAUTION

HAZARD OF FALLING EQUIPMENT

To avoid personal injury or damage to the cabinet, remove installed equipment on the mounting flanges before moving.

Failure to follow these instructions can result in injury or equipment damage.

2. Lower the flat bracket and move the mounting flange to the intended location.



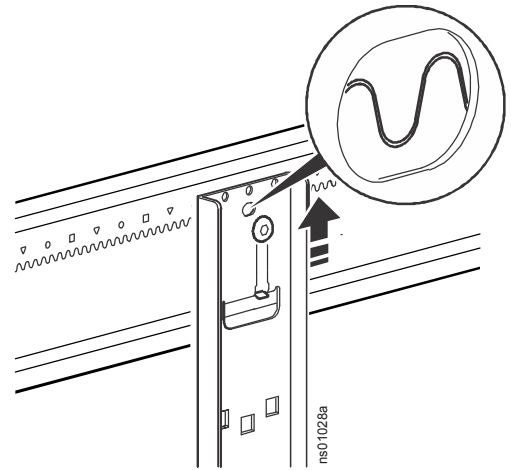
3. To align the vertical flanges, note the symbols (for example, the diamond) visible through the hole on the top of the flange, and ensure that the same symbol is visible through the corresponding hole at the bottom of the flange. When the flanges are aligned properly, only one symbol is visible at a time through any of the holes.

On the 750 mm rack there are circles 18.75 in. (476 mm) behind the front mounting flange designating the location for networking and telecommunications equipment.

NOTE: Vertical mounting flanges adjust in 1/4 in. (6 mm) increments. Vertical mounting flanges placed across from each other must have the same visible symbol

4. When the vertical mounting flange is in the proper location, slide each screw until the teeth in the bracket engage fully with the teeth in the side brace, and tighten the screws.

NOTE: Use the large center hole just below the flat bracket for leverage to help position the teeth of the bracket while tightening the screws on the mounting flange of the 750 mm rack.

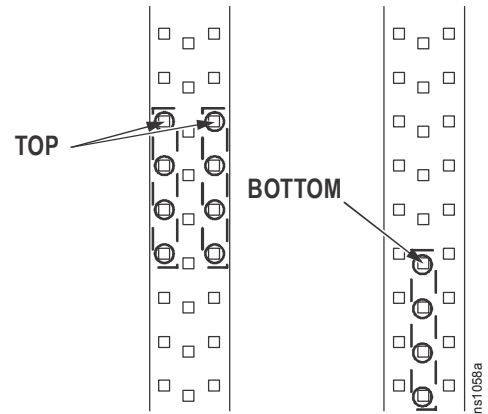


Installation and Configuration of the Mounting Rails

Vertical Mounting Flange Configurations - 600 mm

The 6U and 15U vertical mounting rails use different holes on the 600 mm mounting flanges, depending on whether the flanges are mounted on the top or bottom half of the cabinet.

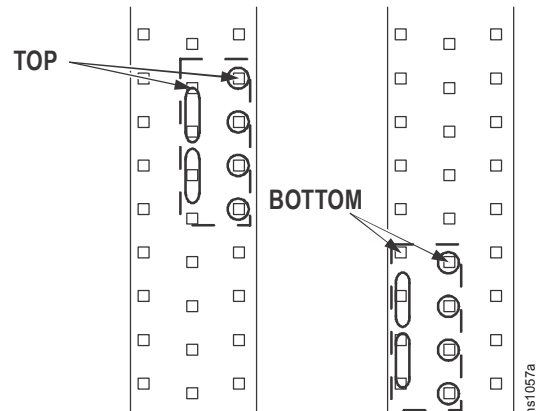
- Top configurations: Use the outside holes
- Bottom configurations: Use middle holes



Vertical Mounting Flange Configurations - 750 mm

The 6U and 15U vertical mounting rails use different holes on the 750 mm mounting flanges depending on whether the flanges are mounted on the top or bottom half of the cabinet.

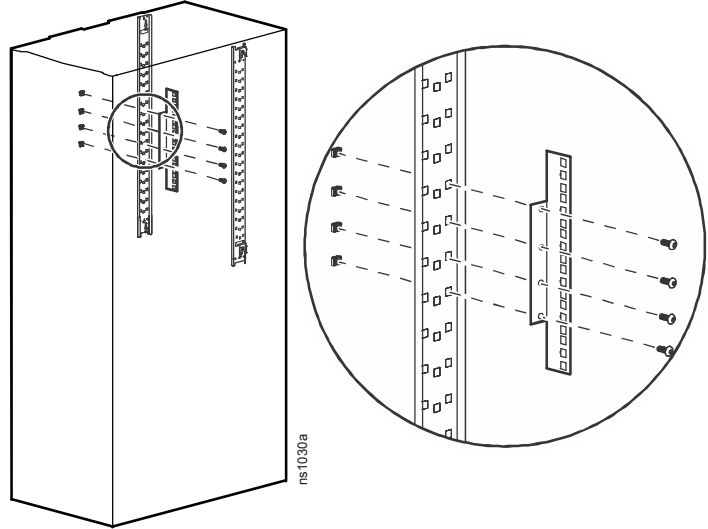
- Top configurations: Use the two holes farthest away from the side of the cabinet to which the equipment will be mounted.
- Bottom configurations: Use the two holes closest to the side of the cabinet to which the equipment will be mounted.



600 mm 6U Mounting Rail Installation (AR7503 and AR7504)

NOTE: The following procedure demonstrates a top mounting installation.

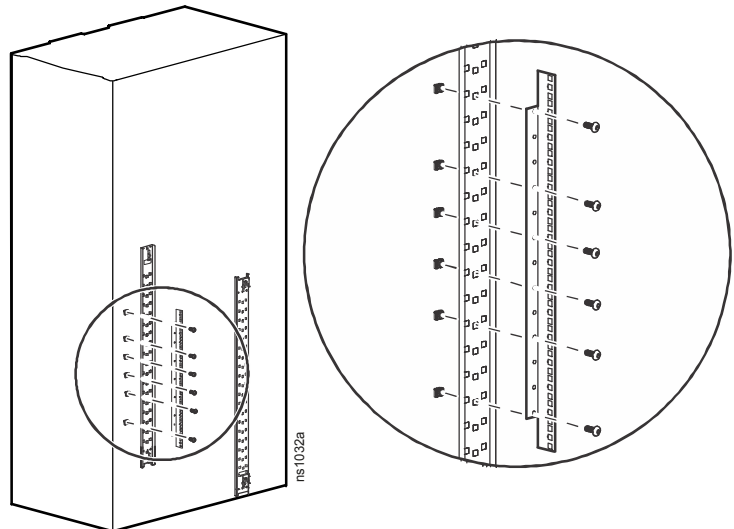
1. Align the four holes on 6U mounting rail with four holes on the vertical mounting flange in the location you selected.
2. Install four cage nuts in the side-facing holes (from Step 1) of the vertical mounting flange.
3. Install a 6U mounting rail on the vertical mounting flange using four M6 x 12 screws and the cage nuts installed in Step 2.
4. Repeat Steps 1 through 3 for the opposite side of the cabinet.



600 mm 15U Mounting Rail Installation (AR7503 and AR7504)

NOTE: The following procedure demonstrates a bottom flange installation.

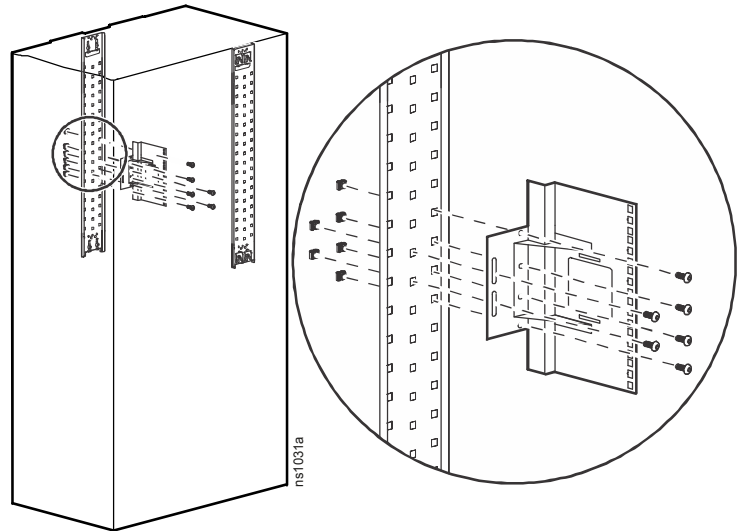
1. Choose six holes on the 15U mounting rail and align those holes with holes on the vertical mounting flange in the location you selected.
2. Install six cage nuts in the side-facing holes (from Step 1) of the vertical mounting flange.
3. Install a 15U mounting rail on the vertical mounting flange, using four M6 x 12 screws and the cage nuts installed in Step 2.
4. Repeat Steps 1 through 3 for the opposite side of the cabinet.



750 mm 6U Mounting Rail Installation (AR7508 and AR7578)

NOTE: The following procedure demonstrates a top mounting flange installation.

1. Align the four small holes on the 6U mounting rail with four holes on the vertical mounting flange.
2. Install four cage nuts in the side-facing holes (from Step 1) of the vertical mounting flange. Install an additional two cage nuts in the side-facing holes even with the slots on the 6-U mounting rail.
3. Install a 6U mounting rail on the vertical mounting flange using (6) M6 x 12 screws and the cage nuts installed in Step 2.
4. Repeat Steps 1 through 3 for the opposite side of the enclosure.



750 mm 15U Mounting Rail Installation (AR7508 and AR7578)

NOTE: The following procedure demonstrates a bottom mounting flange installation.

1. Choose four small holes on the 15U mounting rail and align those holes with holes on the vertical mounting flange.
2. Install four cage nuts in the side-facing holes (from Step 1) of the vertical mounting flange. Install an additional two cage nuts in the side-facing holes even with the slots on the 15U mounting rail.
3. Install a 15U mounting rail on the vertical mounting flange using (6) M6 x 12 screws and the cage nuts from Step 2.
4. Repeat Steps 1 through 3 for the opposite side of the cabinet.

