

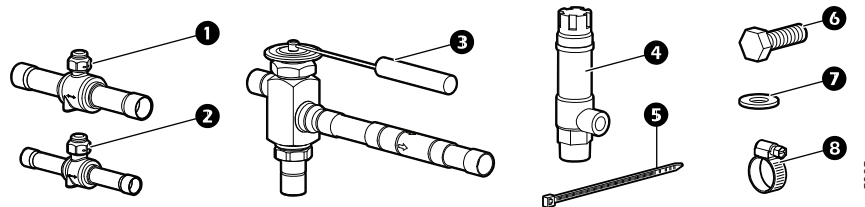
ACAC75016 and ACAC75017—Low Temperature Kit



The low temperature kit provided by Schneider Electric includes a pressure relief valve on the liquid receiver vessel. If the low temperature kit is not installed, then Schneider Electric recommends the installation of a pressure relief valve on the discharge pipe near the condenser. The pressure relief valve selection and installation is the responsibility of the installer and shall comply with local authorities.

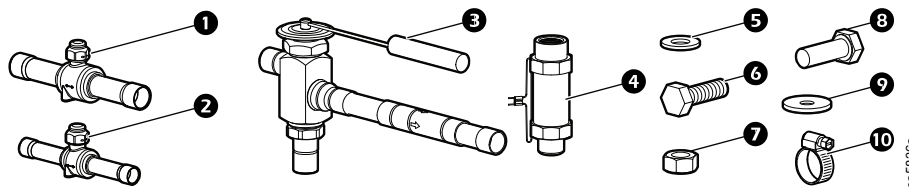
Install Kit Inventory

EMEA-PED Versions (ACAC75017)



Item	Description	Quantity	Item	Description	Quantity
1	Ball valve, 7/8 in. (inlet)	1	5	Tie wrap, 1 1/4 in. (not used)	11
2	Ball valve, 5/8 in. (outlet) (not used)	1	6	Bolt, M6 (not used)	16
3	Head pressure valve and check valve	1	7	Washer flat, M6 (not used)	16
4	Safety valve (PED)	1	8	Hose clamp	2

NAM-ASME Versions (ACAC75016)



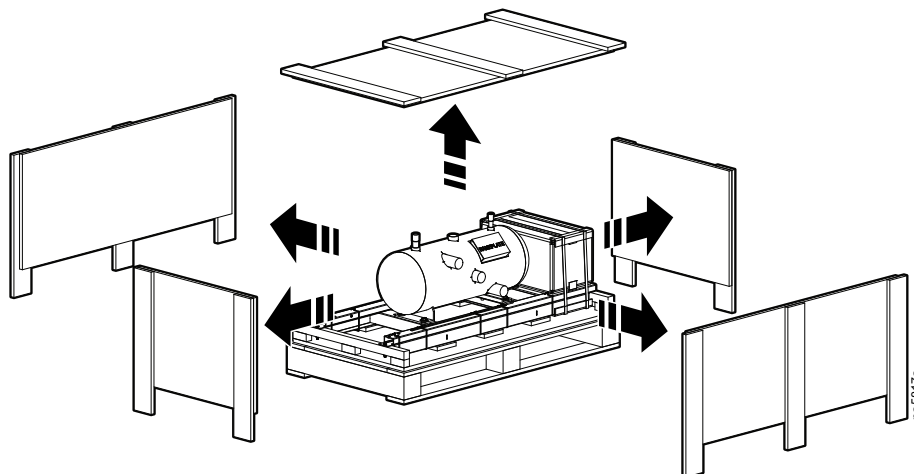
Item	Description	Quantity	Item	Description	Quantity
1	Ball valve, 7/8 in. (inlet)	1	6	Bolt, 1/4 in. (not used)	2
2	Ball valve, 5/8 in. (outlet) (not used)	1	7	Nut, M10 (not used)	4
3	Head pressure valve and check valve	1	8	Bolt, M10 (not used)	4

Item	Description	Quantity	Item	Description	Quantity
4	Safety valve (ASME)	1	9	Washer flat, M10 (not used)	4
5	Washer flat, 1/4 in. (not used)	2	10	Hose clamp	2

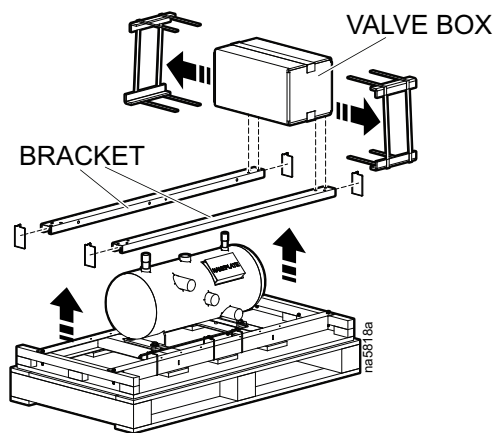
Unpacking

EMEA-PED Versions (ACAC75017)

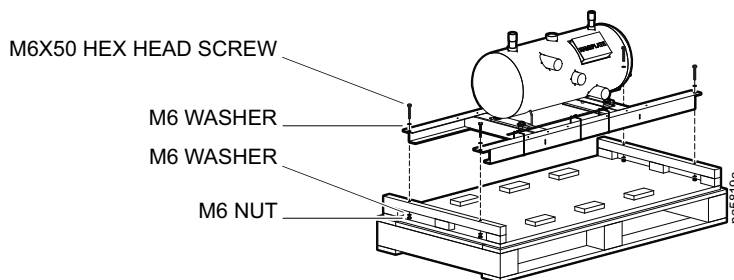
1. Remove plywood top and sides from the pallet.



2. Remove the valve box (contains safety valve, ball valve, head pressure valve, and check valve).
3. Remove brackets.

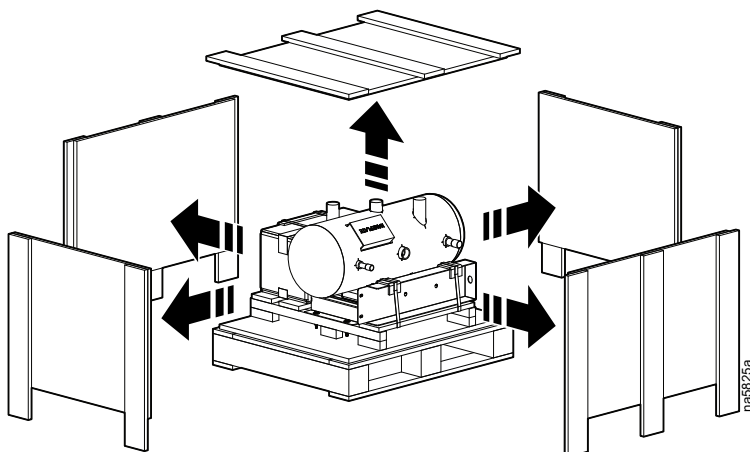


4. Remove receiver kit.

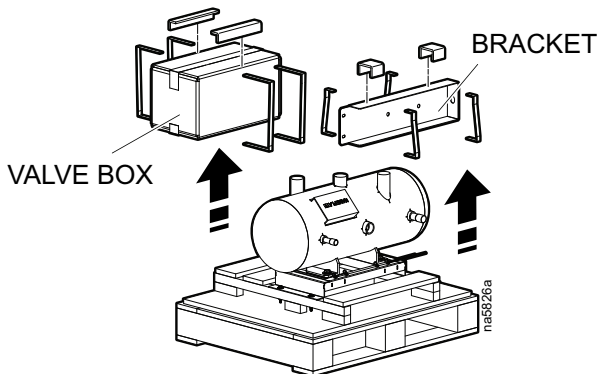


NAM-ASME Versions (ACAC75016)

1. Remove plywood top and sides from the pallet.

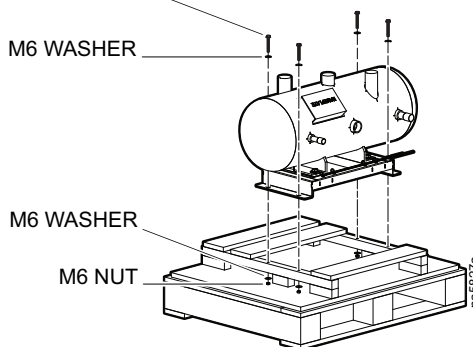


2. Remove the valve box (contains safety valve, ball valve, head pressure valve, and check valve).
3. Remove brackets.



4. Remove receiver kit.

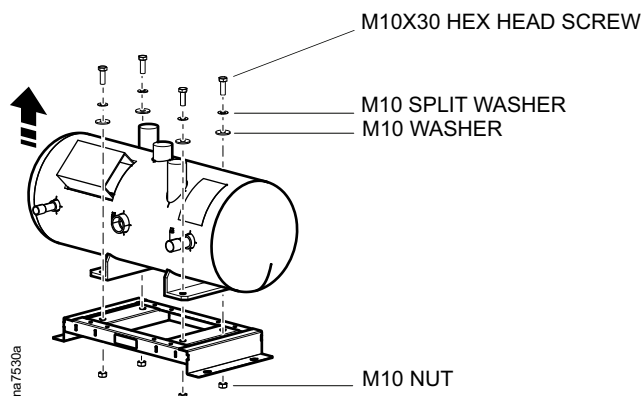
M6X50 HEX HEAD SCREW



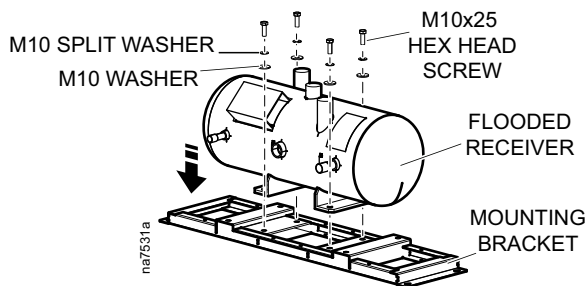
Installation

ACAC75016—NAM-ASME Kit

1. Remove the receiver from the mounting bracket.

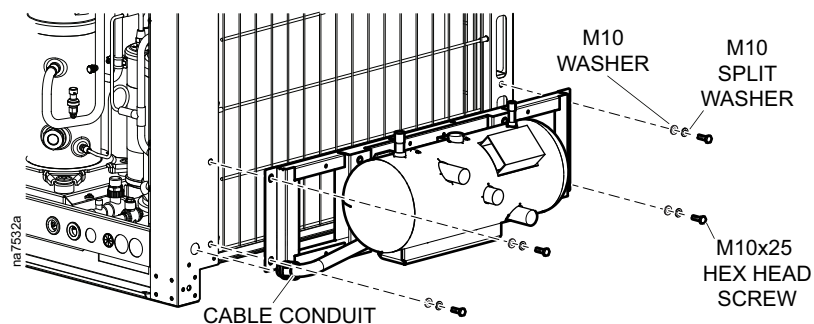


2. Attach the receiver to the mounting bracket from the low temperature accessory kit with hardware from the accessory kit.

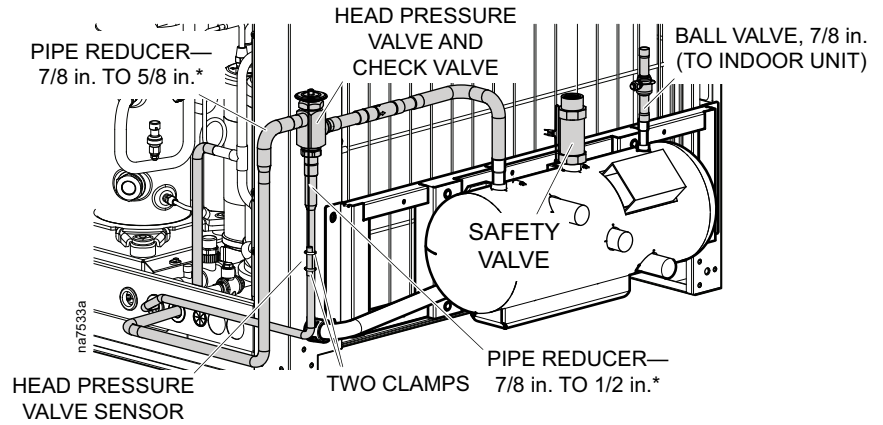


3. Attach the receiver to the side of the ACCU30X unit and connect the cable conduit.

NOTE: The cable conduit can be cut to size; use caution to avoid cutting the cable inside.



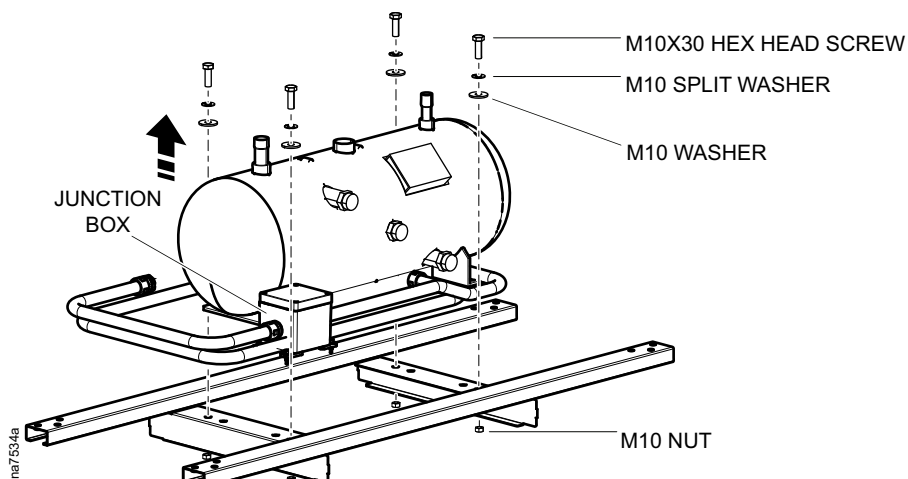
4. Install the safety valve, head pressure valve, ball valve, pipe reducers, and field piping from the receiver to the ACCU30X unit.



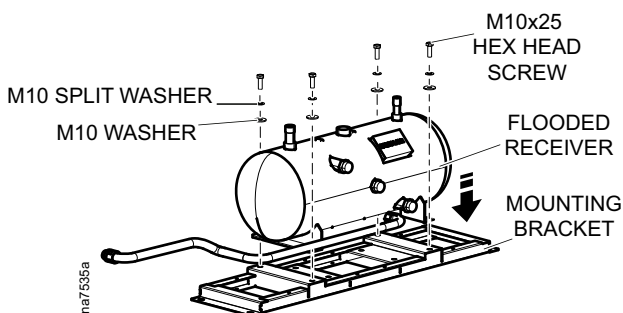
NOTE: *Items are included in the accessory kit.

ACAC75017—EMEA-PED Kit

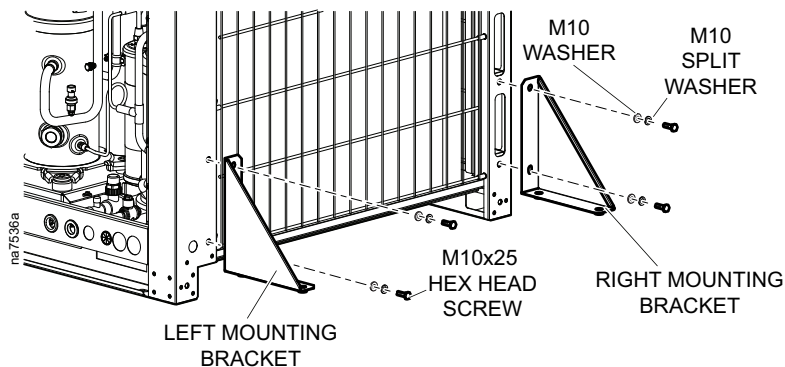
1. Remove the receiver from the mounting bracket. Disconnect the conduit from the junction box and remove the junction box.



2. Attach the receiver to the mounting bracket from the low temperature accessory kit with hardware from the accessory kit.

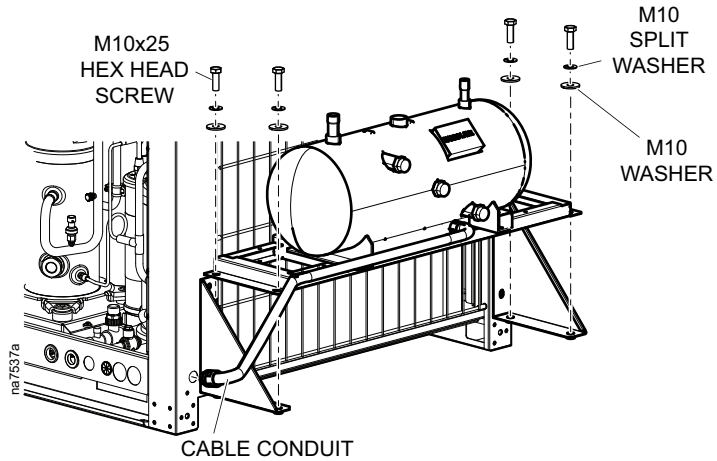


3. Connect the left and right mounting brackets from the accessory kit to the side of the ACCU30X unit.

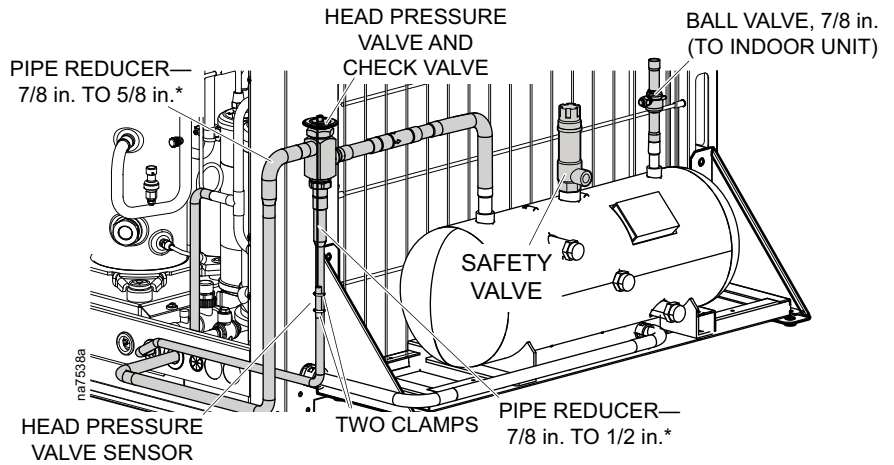


- Attach the receiver to the mounting brackets and connect the cable conduit.

NOTE: The cable conduit can be cut to size; use caution to avoid cutting the cable inside.



- Install the safety valve, head pressure valve, ball valve, pipe reducers, and field piping from the receiver to the ACCU30X unit.



NOTE: *Items are included in the accessory kit.

Electrical Connection

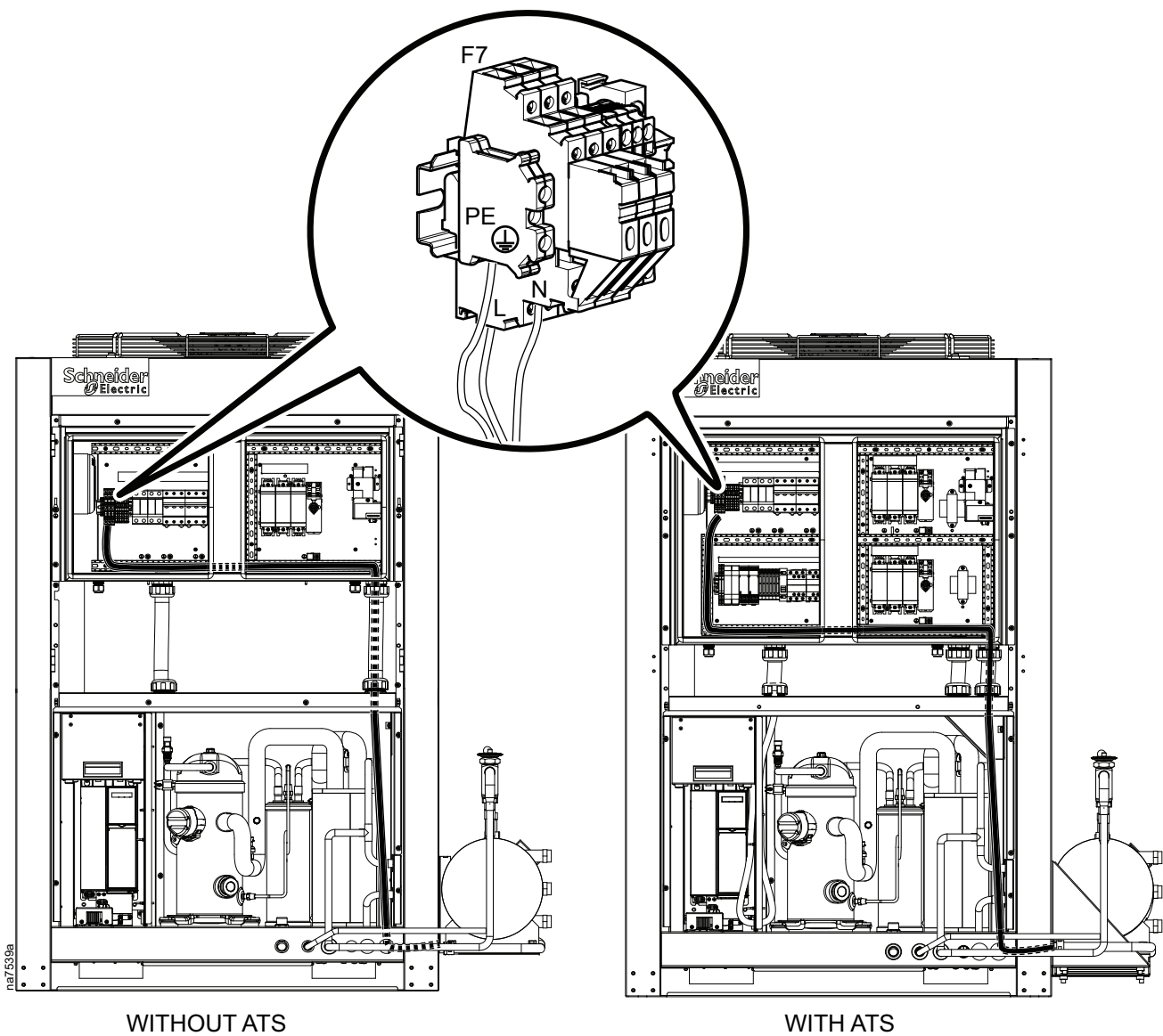
⚡ ⚠ DANGER

HAZARD OF ELECTRIC SHOCK, EXPLOSION, OR ARC FLASH

- Apply appropriate personal protective equipment (PPE) and follow safe electrical work practices.
- This equipment must be installed and serviced by qualified and trained personnel only.
- Turn off all power supplying this equipment before working on or inside the equipment.
- Replace all devices, doors, and covers before turning on power to this equipment.

Failure to follow these instructions will result in death or serious injury.

Route the cable from the flooded receiver to the ACCU30X electrical panel as shown below.



na75398