

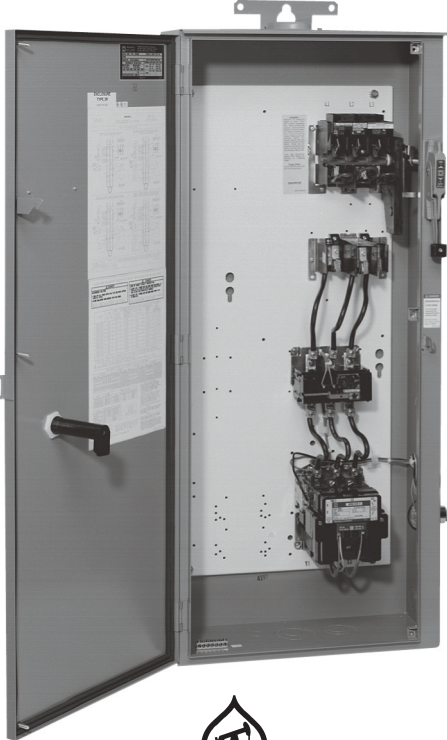
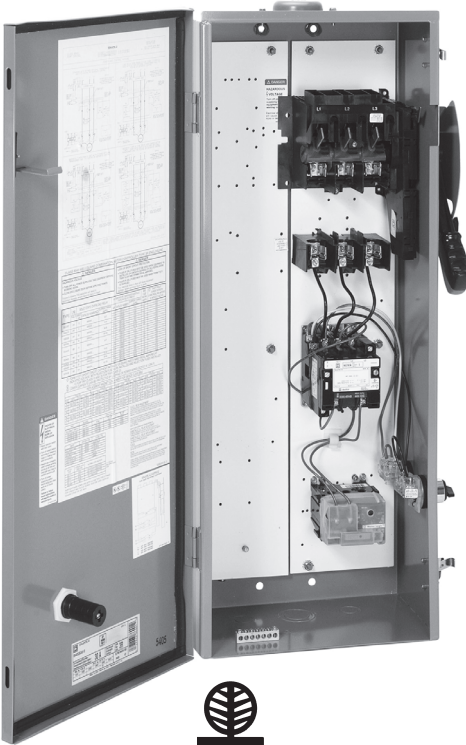
Well-Guard Control™

Pumping Plant Panels

Catalog
8940CT9701R11/15

2016

Class 8940



CONTENTS

Selection	Page 3
Factory Modifications	Page 6
Specifications	Page 7
Replacement Overload Relays	Page 8
Thermal Unit Selection Tables	Page 9
Dimensions	Page 10



by Schneider Electric



Irrigation and Oil Field Style

Class 8940 Type SS and XS panels in NEMA 3R enclosures are specifically designed for pumping applications. Extra space is provided for field installation of auxiliary equipment.

These pumping plant panels feature the following:

- Type S contactor provided as standard
- Approval for submersible pump applications
- Motor Logic™ solid-state overload relay (SSOLR)—Class 10/20 (selectable) through 200 hp @ 480 V, 100 hp @ 240 V—included in the base catalog number for Type SS (the H30 suffix is not required). Includes a rubber boot.
- A Start push button and a Hand-Off-Auto selector switch as standard
- Adjustable trip current
- Phase failure sensitivity through 200 hp @ 480 V, 100 hp @ 240 V, Type SS only
- Ambient temperature compensated overload relay
- All devices UL Listed, and marked “Suitable For Use As Service Equipment”

NOTE: Motor Logic SSOLRs are designed to protect 50/60 Hz, three-phase AC motors from overload and phase loss conditions. Open Delta systems or grounded B-phase systems are difficult to balance and could cause the Motor Logic SSOLR to trip. For applications of this nature, bimetallic overload relays (Form **B12**) are recommended. You can substitute an IEC ambient-compensated bimetallic overload relay (up to size 5) for the Motor Logic SSOLR on Type SS devices only. Request Form **B12** and indicate the motor hp (no charge).

For information on ordering, see the Catalog Numbering System for NEMA contactors and starters in *Digest* Section 16.

Table 1: 3-Pole Polyphase—480 Vac Maximum (50–60 Hz)—Fusible or Thermal-Magnetic Circuit Breaker

Voltage	Coil Voltage	Maximum Hp, Polyphase	Fuse Clip (A) ^[1] or Circuit Breaker	Class 8940, Type
240	240-60 220-50	3, 5, 7.5	30 A	SSC2007 ^{[2], [3]}
		10, 15	60 A	SSD2015 ^{[2], [3]}
		20, 25, 30	100 A	SSE2030 ^[2]
		40, 50	200 A	SSF2050 ^[2]
		75	LLL36400U31X ^[4]	XSG2075 ^[5]
		100 (fusible style)	400 A	SSG2100 ^[2]
		100 (circuit breaker style)	LLL36400U31X ^[4]	XSG2100 ^[5]
		200	MJL36800 ^[4]	XSH2200 ^[5]
		250, 300	PLL34120 ^[4]	XSJ2300 ^[5]
480	480-60 440-50	3, 5, 7.5, 10	30 A	SSC4010 ^{[2], [3]}
		15, 20, 25	60 A	SSD4025 ^{[2], [3]}
		30	60 A	SSD4030 ^{[2], [3]}
		40, 50	100 A	SSE4050 ^[2]
		60, 75, 100	200 A	SSF4100 ^[2]
		150	LLL36400U31 ^[4]	XSG4150 ^[5]
		200 (fusible style)	400 A	SSG4200 ^[2]
		200 (circuit breaker style)	LLL36400U31X ^[4]	XSG4200 ^[5]
		300, 350, 400	MJL36800 ^[4]	XSH4400 ^[5]
		500, 600	PLL34120 ^[4]	XSJ4600 ^[5]

^[1] Fuse clips are sized for use with dual-element time-delay fuses.

^[2] A voltage code is not required for 240 V or 480 V common control with 8940SS controllers.

^[3] To select a Motor Logic SSOLR with an FLA lower than the standard NEMA sizing, use the four-character Form H30●. See “Special Factory-Assembled Overload/Contactor Size Combinations” under “Factory Modifications: Solid-State Overload Relay” in *Digest* Section 16.

^[4] Circuit breaker disconnect provided. (See *Digest* Section 7 for circuit breaker adjustment range.)

^[5] See Table 3 on page 4 for the coil voltage codes.

Well-Guard Control™ Pumping Plant Panels Irrigation and Oil Field Style

**Table 2: 3-Pole Polyphase—480 Vac Maximum (50–60 Hz)—
Electronic Motor Circuit Protector (MCP)**

Voltage	Coil Voltage ^[1]	Max. Hp Polyphase	Class 8940, Type	Circuit Breaker
240	240–60 220–50	30	XSE2030V03H30	HLL36100M73
		40	XSE2040V03H309 ^[2]	JLL36250M75
		50	XSF2050V03H30	JLL36250M75
480	480–60 440–50	40	XSE4040V06H30	HLL36100M73
		50	XSE4050V06H30	
		75	XSE4075V06H309 ^[2]	JLL36250M75
		100	XSF4100V06H30	JLL36250M75

^[1] See Table 3 for the coil voltage codes.

^[2] FLA is 45–135.

Table 3: Coil Voltage Codes

60 Hz	Voltage		Code
	50 Hz		
24 ^{[1], [2]}	—		V01
120 ^[2]	110		V02
208 ^[2]	—		V08
240	220		V03
—	380		V05
480	440		V06
600 ^[2]	550		V07

^[1] 24 V coils are not available on Size 4 starters.

^[2] Form S (separate control) is required for 24 V, 120 V, 208 V, and 600 V coils.



Listed File E152395
CCN NKJH



Listed File E152395
CCN NKJH7

Oil Field Style

The Style S2 line of Class 8940 pumping plant panels in NEMA 3R enclosures are specifically designed for oil field applications. All panels are provided with an electronic motor circuit protector (MCP) or a visible-blade, fused disconnect switch. This line of pumping plant panels features:

- Rugged spring latches for easy access without a tool
- Side-mounted control units for convenient operation
- Available door retainer for windy areas
- A Hand-Off-Auto selector switch as standard
- UL Listed for use as service equipment for motors
- Extra panel space for additional electrical controls
- All devices UL Listed and marked “Suitable For Use As Service Equipment”

NOTE: To specify a Motor Logic Class 20/30 (selectable) SSOLR, include Form H30 in the catalog number, as shown in Table 4.

If a melting alloy overload relay is selected (no H30 suffix), thermal units must be ordered separately. See “Thermal Unit Selection” in the *Digest*.

Table 4: 3-Pole Polyphase—480 Vac Maximum (50–60 Hz)

V	Max. Hp Polyphase	Coil Voltage	NEMA Size	Fusible Disconnect Style		Circuit Breaker Style	
				Fuse Clip (A)	Class 8940, Type	Circuit Breaker	Class 8940, Type
240	7.5	240–60 220–50	1	30	WC1S2V03H30 ^[1]	HLL36030M71	XC1S2V03H30 ^[1]
	10		2	60	WD1S2V03H30 ^[1]	HLL36050M72	XD1S2V03H30 ^[1]
	15					HLL36100M73	XD2S2V03H30 ^[1]
	30		3	100	WE1S2V03H30	HLL36100M73	XE1S2V03H30
	50		4	200	WF1S2V03H30	JLL36250M75	XF2S2V03H30
480	10	480–60 440–50	1	30	WC3S2V06H30	HLL36030M71	XC4S2V06H30
	15		2	60	WD3S2V06H30	HLL36030M71	XD3S2V06H30
	25					HLL36050M72	XD4S2V06H30
	50		3	100	WE3S2V06H30	HLL36100M73	XE3S2V06H30
	100		4	200	WF3S2V06H30	JLL36250M75	XF4S2V06H30

^[1] To select a Motor Logic SSOLR with an FLA lower than the standard NEMA sizing, use the four-character **Form H30**. See “Special Factory-Assembled Overload Relay / Contactor Size Combinations” under “Factory Modifications: Solid-State Overload Relay” in the *Digest*.

Well-Guard Control™ Pumping Plant Panels

Factory Modifications and Accessories

Factory Modifications and Accessories

Table 5: Factory Modifications (Forms)

Description		Form Letter	
Substitutions			
Class 10 IEC bimetallic overload relay—specify the motor hp (NEMA Sizes 0–4 only)		B12	
Class 10/20 (selectable) Motor Logic SSOLR (comes standard on Type SS—no Form required)		H30	
Standard trip melting alloy overload relays		Y61	
Quick-trip melting alloy overload relay (Sizes 1 and 2 only)—not available on IEC style contactors		Y611	
Slim panel—Style S2, Types WC, WD, WE, XC, XD, and XE only		L8	
Short panel—Types SSE, SSF, XE (Style S2) and XF (Style S2) only		L9	
Control operators moved from the enclosure side to the door		Y45	
Class R rejection fuse clips for standard fuse clip (Type SSC, SSD, SSE, SSF, SSG, WC, WD, WE and WF)		Y1071	
Additional Features			
Control transformer with fused primary	<i>Types and corresponding VA ratings:</i> <ul style="list-style-type: none"> • SSC, WC, XC (50 VA) • SSD, WD, XD (100 VA) • SSE, WE, XE (150 VA) • SSF, WF, XF (300 VA) • SSG, XSG (50 VA and an interposing control relay) 	F4T	
Factory-installed door wind latch assembly in a standard Class 8940 Type SSC, SSD, SSE, SSF, XSE, or XSF		G45	
Elapsed time meter		G97	
On-delay timer		K25	
Off delay timer		K26	
Program timer with day omission feature		K141	
Backspin timer (time delay upon energization)		K15	
Start push button (Style S2 panels only)		A28	
Pilot light—does not include auxiliary contact (Specify lens color—for more selections, see “Pilot Light Forms” in <i>Digest</i> Section 16)		red	P1
		green	P2
Separate control		S	
Auxiliary contacts (specify N.O. or N.C.)		X ^[1]	
Special UL panel label for modified UL Listed devices on non-standard panels (requires approval by the manufacturing plant)		Y1	
Lightning arrester		Y1532	
Phase failure / phase reversal relay with time delay, including under- and over-voltage protection		R44	

^[1] To determine the maximum number of auxiliary contacts that can be added to each Type S device, and for the appropriate X Form, refer to the *Digest* pages for *non-reversing single-speed NEMA contactors*, or for *reversing or two-speed devices*.

Table 6: Class 8940 Electrical Interlocks

Disconnect Switches			Circuit Breakers			
Class and Type	SPDT	DPDT	Class and Type	Powerpact™	SPDT	DPDT
Irrigation Panels						
8940SSC...	EIK-1 ^[1]	EIK-2 ^[1]	8940SSC...	n/a	n/a	n/a
8940SSD...	EIK-1 ^[1]	EIK-2 ^[1]	8940SSD...	n/a	n/a	n/a
8940SSE...	9999TC10	9999TC20	8940SSE...	L	9999R26	9999R27
8940SSF...	9999R39	9999R40	8940SSF...	L	9999R26	9999R27
8940SSG...	9999R35	9999R36	8940SSG...	L	9999R26	9999R27
—	—	—	8940XSG...	L	9999R26	9999R27
—	—	—	8940XSH...	M	9999R26	9999R27
—	—	—	8940XSJ...	M	—	—
Oil Field Panels						
8940WC...	9999TC10	9999TC20	8940XC	H	9999R26	9999R27
8940WD...	9999TC10	9999TC20	8940XD	H	9999R26	9999R27
8940WE...	9999TC10	9999TC20	8940XE	H	9999R26	9999R27
8940WF...	9999R39	9999R40	8940XF	J	9999R26	9999R27

^[1] No class number required.

Specifications

Table 7: Class 8940—UL Listed Short Circuit Ratings
These ratings apply to standard enclosures, which include non-oversize NEMA 1, 4 & 4X Stainless, and 12.

NEMA Size	NEMA Fuse Class or Voltage	Available Amperes (RMS Symmetrical)
Fusible Type		
0–3	Class H or K	5,000
0–3	Class R	100,000
0–2	Class H or K	5,000
0–2	Class R	100,000
4–5	Class H or K	10,000
4–5	Class R	100,000
6	Class H or K	18,000
6	Class R	100,000
Thermal-Magnetic Circuit Breaker Type		
0–5	0–480 V	100,00
6–7	0–480 V	65,000

Table 8: Application Data, Class 8940

Type	Disconnect Switch	Fuse Base	Contactors	Overload Relay
SSC2007	40567-200-51 ^[1]	40566-143-51	8502SCO2	9065SF120 ^[2]
SSD2015	40567-200-51 ^[1]	40566-143-51 (60 A 250 V) / 40566-144-51 (60 A 600 V)	8502SDO2	9065SF220 ^[2]
SSE2030	31301-056-65	31301-059-50	8052SEO2	9065SF320 ^[3]
SSF2050	31055-366-51	Included with switch	8502SFO2	9065SF320 ^[3]
SSC4010	40567-200-51 ^[1]	40566-143-51	8052SCO2	9065SF120 ^[2]
SSD4025	40567-200-51 ^[1]	40566-143-51 (60 A 250 V) / 40566-144-51 (60 A 600 V)	8502SDO2	9065SF220 ^[2]
SSD4030	40567-200-51 ^[1]	40566-143-51 (60 A 250 V) / 40566-144-51 (60 A 600 V)	8502REQ2617G	9065SF220 ^[2]
SSE4050	31301-056-65	31301-059-50	8502SEO2	9065SF320 ^[3]
SSF4100	31055-366-51	Included with switch	8502SFO2	9065SF420 ^[3]
XSG2075	LLL36400E20	NA	8502SGO2	9065ST520 ^[2]
SSG2100	400 A Switch	NA	31102-668-50	9065ST520 ^[2]
XSG2100	LLL36600E20	NA	8502SGO2	9065ST520 ^[2]
XSH2200	MJL36800	NA	8536SHO2	9065ST620 ^[2]
XSJ2300	PLL34120	NA	8536JO2	9065ST720 ^[2]
XSG4150	LLL36400E20	NA	8502SGO2	9065ST520 ^[2]
SSG4200	400 A Switch	NA	31102-668-00	9065ST520 ^[2]
XSG4200	LLL36600E20	NA	8502SGO2	9065ST520 ^[2]
XSH4400	MJL36800	NA	8536SHO2	9065ST620 ^[2]
XSJ4600	PLL34120	NA	8536JO2	9065ST720 ^[2]

NOTE: Two operating mechanisms are shipped; keep one as a spare.

^[1] Includes switch base and operating mechanism. To ensure handle compatibility, part number HM0610F must also be purchased.

^[2] For a replacement boot, purchase 9999MRB12.

^[3] For a replacement boot, purchase 9999MRB34.

Well-Guard Control™ Pumping Plant Panels

Replacement Overload Relays

Replacement Overload Relays

**Table 9: Well-Guard Control™ Pump Panel Full Voltage—
Class 8940 Replacement Overload Relays,
Class 9065 Motor Logic SSOLR, 600 Vac Maximum**

NEMA Starter Size	Overload Relay Size ^[1]	Overload Relay Ampere Range	Form No.	Class 10/20 Selectable SSOLR		Replacement Boot for SSOLR
				Separate Mounting	Replacement or Retrofit of Square D Type S Starters	
1	00B	1.5 to 4.5	H308	9065SFB20	9065SFB20 ^[2]	9999MRB12
1	00C	3 to 9	H309	9065SFC20	9065SFC20 ^[2]	9999MRB12
1	0	6 to 18	H300	9065SF020	9065SF020 ^[2]	9999MRB12
1	1	9 to 27	H30	9065SF120	9065SF120 ^[2]	9999MRB12
2	00C	3 to 9	H308	9065SFC20	9065SFC20 ^[2]	9999MRB12
2	0	6 to 18	H309	9065SF020	9065SF020 ^[2]	9999MRB12
2	1	9 to 27	H300	9065SF120	9065SF120 ^[2]	9999MRB12
2	2	15 to 45	H30	9065SF220	9065ST220	9999MRB12
3	3	30 to 90	H30	9065SF320	9065ST320	9999MRB34
4	4	45 to 135	H30	9065SF420	9065ST420	9999MRB34
5	5	90 to 270	H30	N/A	9065ST520 ^[3]	9999MRB12
5	5	90 to 270	H30	N/A	9065SF520 ^[4]	9999MRB12
6	6	180 to 540	H30	N/A	9065ST620 ^[3]	9999MRB12
7	7	270 to 810	H30	N/A	9065ST720 ^[3]	9999MRB12

^[1] Size 00B and 00C Motor Logic SSOLRs are not actual NEMA sizes.

^[2] Size 00B, 00C, 0 and 1 are furnished without lugs. Lower amperage loads can be protected by looping power wires.

^[3] Size 5, 6, and 7 replacement overload relays are only for existing Type S NEMA starters with Motor Logic overload relays. External CTs and additional components are not included.

^[4] Size 5 is a complete drop-in replacement for Square D NEMA-style Type S melting alloy and Form Y500 overload relays only.

Table 10: Class 9065 Bimetallic Overload Relay with CT pack (Class 10)

Catalog Number	FLA
9065TJF40	40–63
9065TJF63	63–100
9065TJF100	100–160
9065TJF160	160–250

Well-Guard Control™ Pumping Plant Panels

Thermal Unit Selection Tables

Thermal Unit Selection Tables

Melting Alloy Quick Trip Thermal Unit Selection Tables (Form Y611)
Based on Motor Full Load Current ^{[1], [2]}

Table H—NEMA Size 1 (Table 78)

Types WC, XC	
Motor Amperes	Thermal Unit
2.26-2.51	FB 3.33
2.52-2.81	FB 3.71
2.82-3.09	FB 4.1
3.10-3.30	FB 4.5
3.31-3.69	FB 4.75
3.70-4.27	FB 5.3
4.28-4.72	FB 6.1
4.73-5.25	FB 6.75
5.26-5.53	FB 7.45
5.54-5.81	FB 7.8
5.82-6.14	FB 8.2
6.15-6.44	FB 8.6
6.45-6.81	FB 9.0
6.82-7.19	FB 9.5
7.20-7.59	FB 10
7.60-7.99	FB 10.6
8.00-8.17	FB 11.2
8.18-8.74	FB 12.1
8.75-9.31	FB 13.1
9.32-9.94	FB 13.9
9.95-10.5	FB 14.8
10.6-11.1	FB 15.6
11.2-12.0	FB 16.4
12.0-12.4	FB 17.6
12.5-13.1	FB 18.4
13.2-14.3	FB 19.4
14.4-15.3	FB 21.1
15.4-15.9	FB 22.6
16.0-16.9	FB 23.6
17.0-18.3	FB 24.8
18.4-19.5	FB 26.7
19.6-20.5	FB 28.3
20.6-21.1	FB 29.6
21.2-22.6	FB 30.5
22.7-23.7	FB 32.6
23.8-24.3	FB 34.1
24.4-26.0	FB 35

Table J—NEMA SIZE 3 (Table 80)

Types WE, XE	
Motor Amperes	Thermal Unit
20.5-21.7	FB 26.7
21.8-23.1	FB 28.3
23.2-24.8	FB 29.6
24.9-26.5	FB 30.5
26.6-28.4	FB 32.6
28.5-30.4	FB 34.1
30.5-32.8	FB 38.3
32.9-34.9	FB 40.2
35.0-37.3	FB 42
37.4-39.8	FB 44
39.9-42.5	FB 46
42.6-45.8	FB 48
45.9-48.2	FB 50.5
48.3-50.6	FB 52.5
50.7-53.1	FB 55.5
53.2-56.5	FB 58
56.6-59.4	FB 60
59.5-63.4	FB 63.5
63.5-71.0	FB 69
71.1-78.8	FB 77
78.9-86.0	FB 84

Table I—NEMA SIZE 2 (Table 79)

Types WD, XD	
Motor Amperes	Thermal Unit
4.24-4.69	FB 6.1
4.70-5.21	FB 6.75
5.22-5.49	FB 7.45
5.50-5.74	FB 7.8
5.75-6.07	FB 8.21
6.08-6.35	FB 8.6
6.36-6.71	FB 9.0
6.72-7.03	FB 9.5
7.04-7.53	FB 10
7.54-7.91	FB 10.6
7.92-8.53	FB 11.2
8.54-9.14	FB 12.1
9.15-9.71	FB 13.1
9.72-10.2	FB 13.9
10.3-10.8	FB 14.8
10.9-11.5	FB 15.6
11.6-12.3	FB 16.4
12.4-13.0	FB 17.6
13.1-13.9	FB 18.4
14.0-15.1	FB 19.4
15.2-16.1	FB 21.1
16.2-16.9	FB 22.6
17.0-17.9	FB 23.6
18.0-19.4	FB 24.8
19.5-20.7	FB 26.7
20.8-21.7	FB 28.3
21.8-22.3	FB 29.6
22.4-23.9	FB 30.5
24.0-25.1	FB 32.6
25.2-25.9	FB 34.1
26.0-27.1	FB 35
27.2-28.6	FB 36.6
28.7-30.1	FB 38.3
30.2-31.7	FB 40.2
31.8-33.3	FB 42
33.4-34.5	FB 44
34.6-36.5	FB 46
36.8-38.5	FB 48
38.6-39.9	FB 50.5
40.0-45.0	FB 52.5

Table K—NEMA SIZE 4 (Table 81)

Types WF, XF	
Motor Amperes	Thermal Unit
52.2-55.6	FB 50.5
55.7-58.8	FB 52.5
58.9-62.5	FB 55.5
62.6-66.0	FB 58
66.1-70.1	FB 60
70.2-78.6	FB 63.5
78.7-92.0	FB 69
92.1-102	FB 77
103-114	FB 84
115-123	FB 92
124-133	FB 105

¹ These thermal unit selections are for controllers protected from solar radiation and located in an ambient temperature of 40 °C (104 °F) or less. For overload relays which are not ambient temperature compensated (NEMA Sizes 3 and 4), thermal units larger than normal might be required under conditions of high ambient temperature or solar radiation. Consult your local Square D field office.

² This is a partial list of Thermal Unit Selection Tables. The complete list can be found in *Digest* Section 16.

Well-Guard Control™ Pumping Plant Panels

Dimensions

Dimensions

Table 11: Approximate Dimensions

Type	Fig.	Units	A	B	C	D	E	F	G	H	J	K	Conduit L	M	Knockout			V
															R	S	T	
SSC SSD	1	in.	39.05	13.73	6.67	9.70	33.05	37.93	7.00	2.41	3.00	3.00	2.5	2.41	0.5, 0.75	1.25, 1.5	0.5, 0.75	1.41
		mm	992	349	169	239	839	963	178	61	76	76						
SSE SSF XSE XSF	2	in.	49	19.15	8.81	10.37	44.07	47.88	7.00	2.17	2.69	3.44	2.5	2.57	0.5, 0.75	1.25, 1, 2.5	1, 1.25, 1.5, 2	1.41
		mm	1245	486	224	263	1119	1216	178	55	68	87						

Figure 1: Sizes 1 and 2

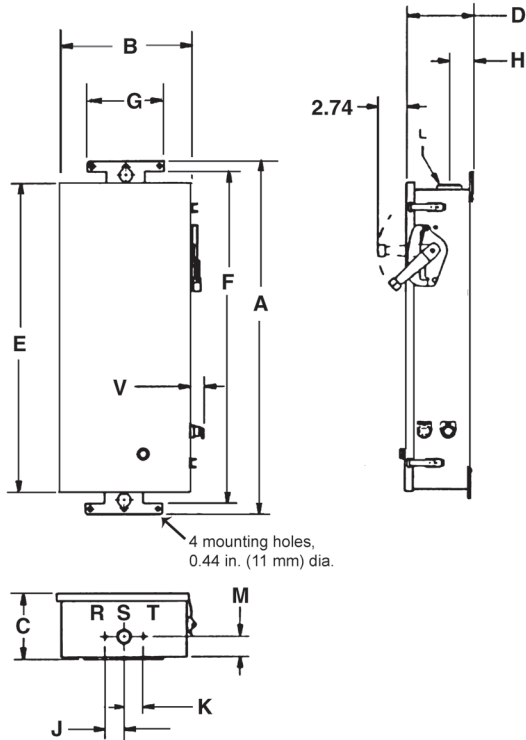
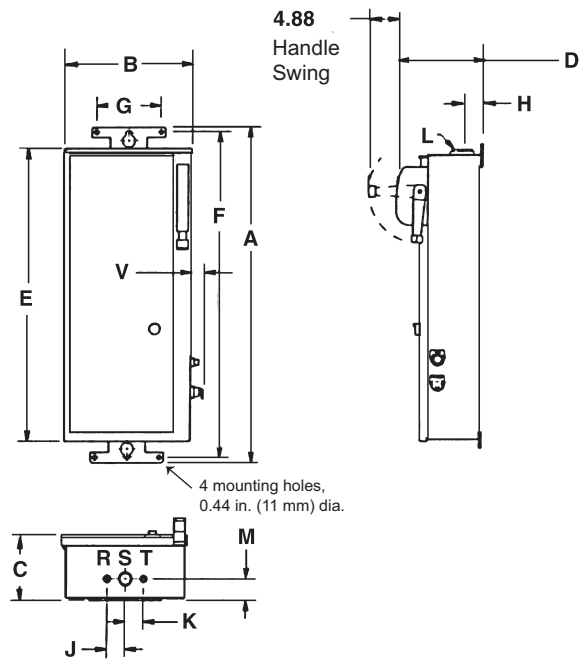


Figure 2: Sizes 3 and 4



Dual Dimensions: $\frac{\text{in.}}{\text{mm}}$

Well-Guard Control™ Pumping Plant Panels Dimensions

Table 12: Approximate Dimensions

Style	Type	Fig.	Units	A	B	C	D	E	F	G	H	J	K	Conduit L	M	Knockout			V		
																R	S	T			
S2	WC WD XC XD	3	in.	38.50	19.00	7.29	9.39	34.00	37.38	7.00	2.18	2.13	2.13	1.5	2.12	0.5– 0.75	1, 1.25, 1.5	0.5, 0.75	1.41		
			mm	978	483	185	239	864	949	178	55	54	54		54				54	36	
	WE WF XE XF	3	in.	56.50	23.00	8.23	10.33	52.00	55.38	7.00	2.18	2.69	3.44	2	2.68	0.5– 0.75	1, 1.25, 2, 2.5	1, 1.25, 1.5, 2	1.50		
			mm	1435	584	209	262	1321	1407	178	55	68	87		68				68	38	
SS, XS	SSG XSG	3	in.	74.50	22.00	13.80	17.55	73.00	0.50	14.00	—	0.56	—	—	—	—	—	—	—	1.50	
			mm	1892	559	351	446	1854	13	356	—	14	—	—	—	—	—	—	—	—	38
	XSH	4	in.	82.50	36.00	20.00	23.25	80.00	33.75	16.50	—	—	—	—	—	—	—	—	—	—	
			mm	2096	914	508	591	2032	857	419	—	—	—	—	—	—	—	—	—	—	—
	XSJ	4	in.	92.50	34.00	20.00	23.25	90.00	31.75	16.50	—	—	—	—	—	—	—	—	—	—	—
			mm	2350	864	508	591	2286	806	419	—	—	—	—	—	—	—	—	—	—	—

Figure 3: Size 5 and Style S2

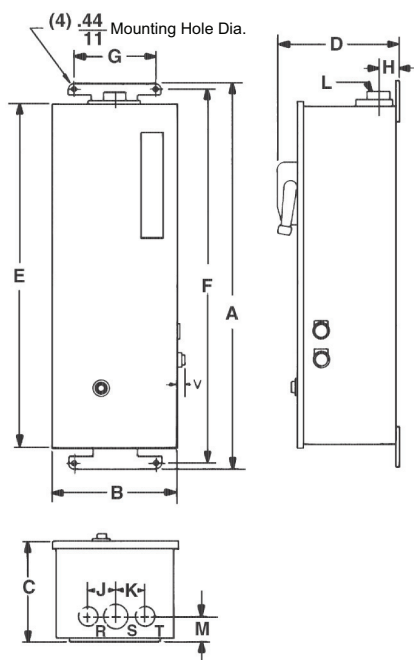
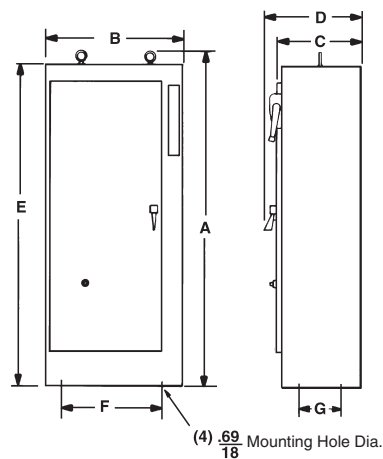


Figure 4: Sizes 6 and 7



Dual Dimensions: $\frac{\text{in.}}{\text{mm}}$

Well-Guard Control™ Pumping Plant Panels

Schneider Electric USA, Inc.
800 Federal Street
Andover, MA 01810 USA
888-778-2733
www.schneider-electric.us

Schneider Electric, Square D, Well-Guard Control, and Motor Logic are trademarks and the property of Schneider Electric SE, its subsidiaries, and affiliated companies. All other trademarks are the property of their respective owners.
8940CT9701R11/15 Replaces 8940CT9701R7/08 09/2008
© 1997–2016 Schneider Electric All Rights Reserved