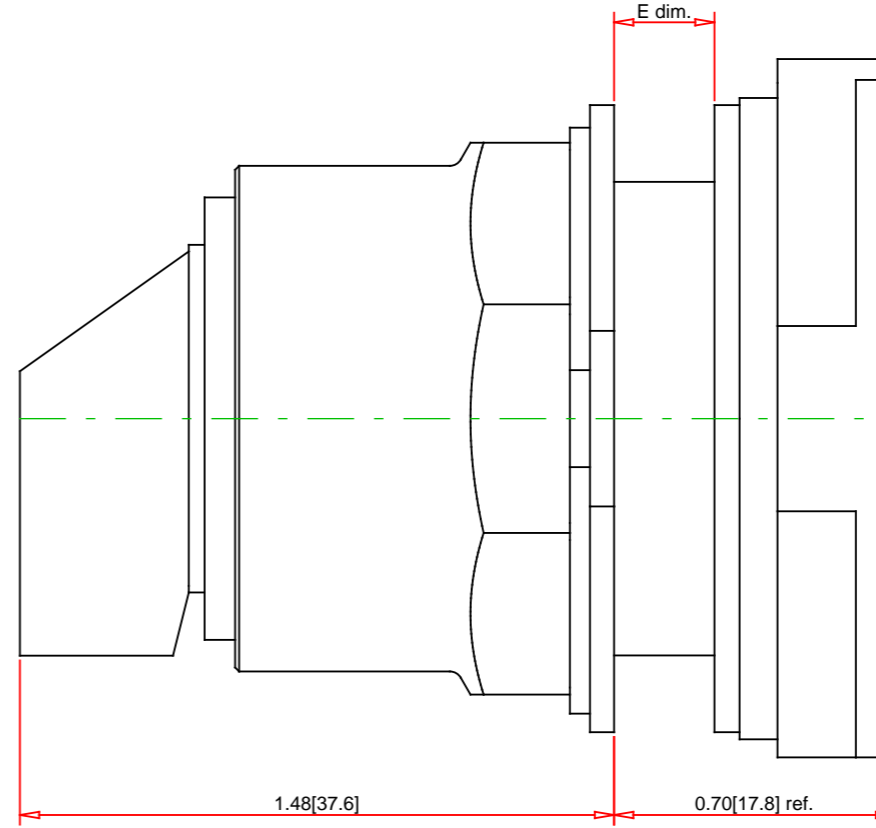
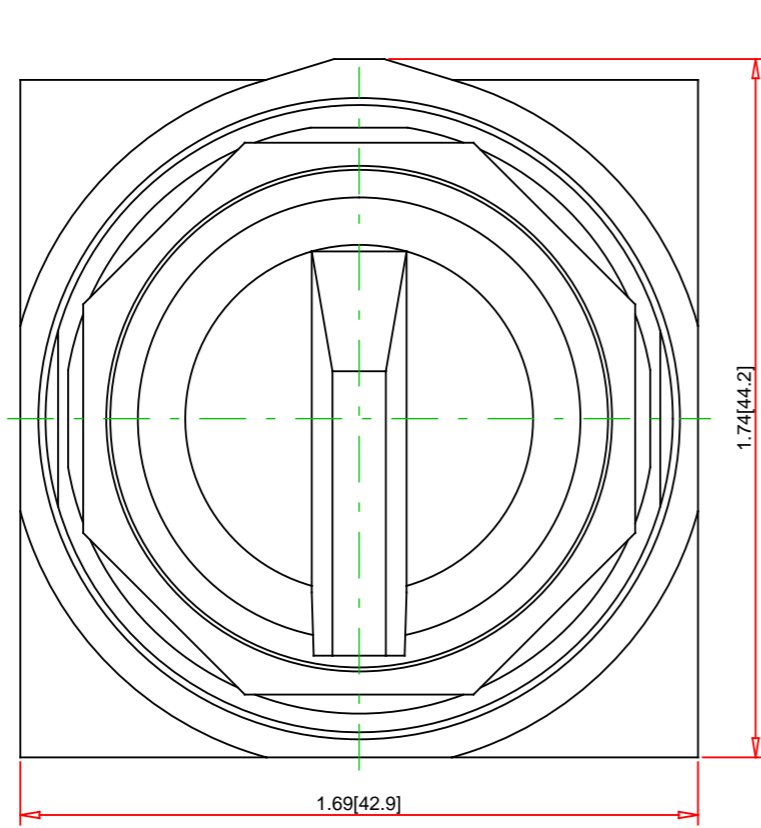


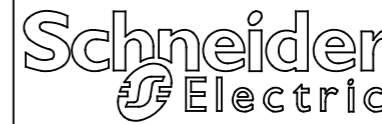
| Panel Thickness E dim. inches (mm) | Number of Gasket |
|--|------------------------|
| 1/16 (1.6) | 4 |
| 1/8 (3.2) | 3 |
| 3/16 (4.8) | 2 |
| 1/4 (6.4) | 1 |



Note:
- Drawings Not To Scale
- Drawings Subject to Change Without Notice
- Dimensions are inches next to [Millimeters]

Part No.:

9001SKS46Y



Schneider Electric United States
North American Division
Boston One Campus
800 Federal Street
Andover, MA 01810, USA
Phone: +1 8773425173
Email: CCC@us.schneider-electric.com

Technical Information:

UL File: E78403 CCN NKCR
CSA File: LR24590 Class 3211-03
CE Marked: Yes
RoHS: Yes
NEMA / IP Rating: NEMA 1/2/3/3R/4/4X/6/12/13 Water tight, Dust tight, Oil tight and Corrosion Resistant (Indoor/Outdoor)
Key Number: n/a
Key Removal: n/a
Light Module Supply Voltage: not applicable
Light Module Type: not applicable
Number of Operators: 1

Description: 30mm Selector Switch
Ring Nut Material: Black Plastic
Operator Type: Non-Illuminated
Operator Action: Maintained
Guard Type: n/a
Button/Cap Color: n/a
Lens Type: not applicable
Lens Color: not applicable
Knob Type: Standard Knob
Knob Color: Yellow
Number of Positions: 3

Specification: