

8 7 6 5 4 3 2 1

**GENERAL NOTES**

- FLOOR MOUNTED OR WALL MOUNTED ENCLOSURE.  
 TYPE 3R (M) CONSTRUCTED FROM CODE GAUGE STEEL.  
 TYPE 4 (N) CONSTRUCTED FROM CODE GAUGE STEEL.  
 TYPE 12 (Q) CONSTRUCTED FROM CODE GAUGE STEEL.  
 FINISH TYPE: ANSI 61 GRAY POLYESTER SEMI GLOSS ELECTROSTATIC POWDER.  
 TYPE 4X (P) EXTERIOR CONSTRUCTED FROM CODE GAUGE TYPE 304 STAINLESS STEEL.  
 TYPE 4X (V) EXTERIOR CONSTRUCTED FROM CODE GAUGE TYPE 316 STAINLESS STEEL.
- EXTERIOR DOOR HAVE PADLOCKABLE HASP & STAPLE.
- DESIGNED FOR FRONT ACCESS.
- RECOMMENDED CLEARANCES: FRONT: 36" [914.40mm] REAR: NONE.
- CENTER OF GRAVITY
- APPROXIMATE SHIPPING WEIGHT: 430 LB [195 KG].
- ACCESSORY 40, OPTIONAL SOURCE LOCATIONS IS AVAILABLE ON SERIES 7000 ONLY.

**TRANSFER SWITCH**

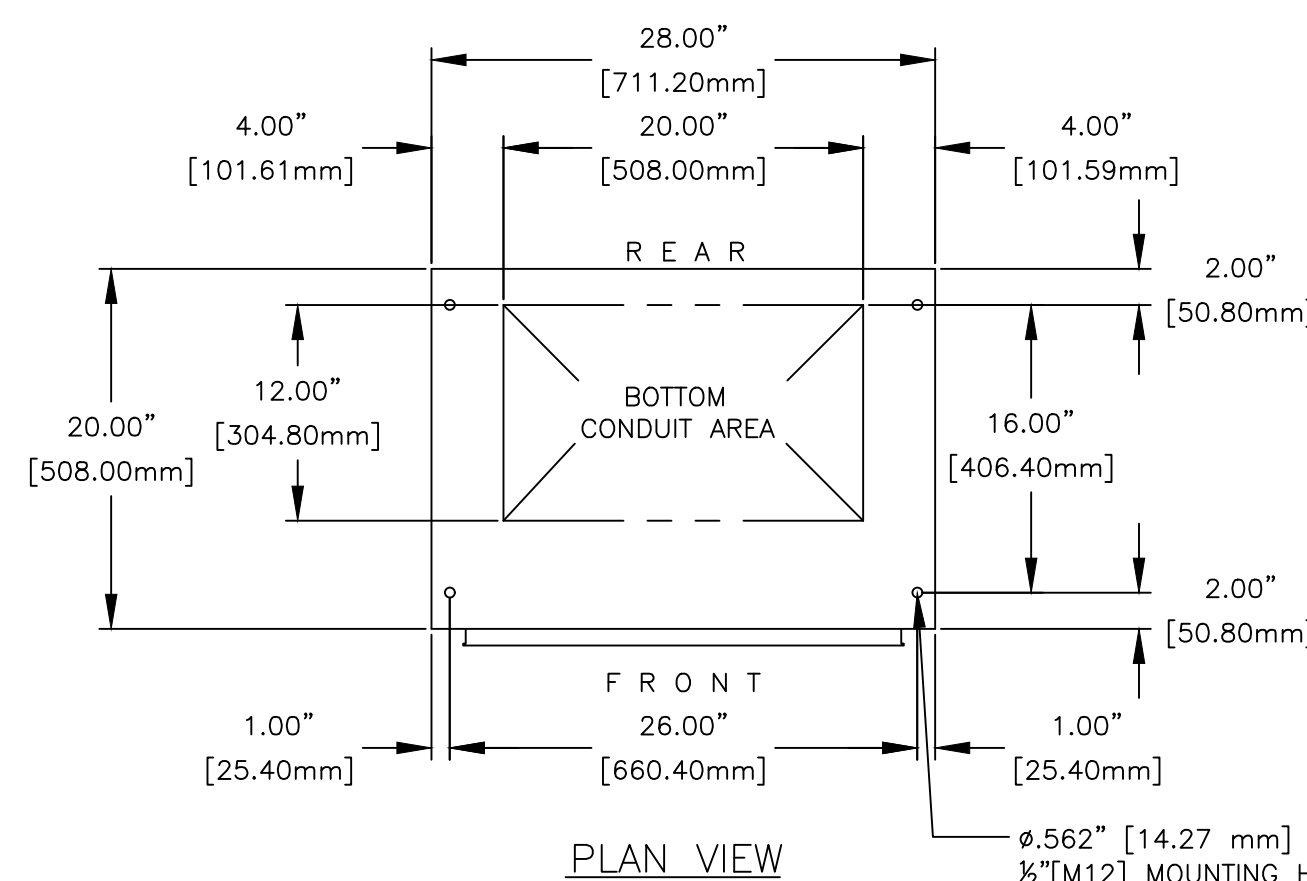
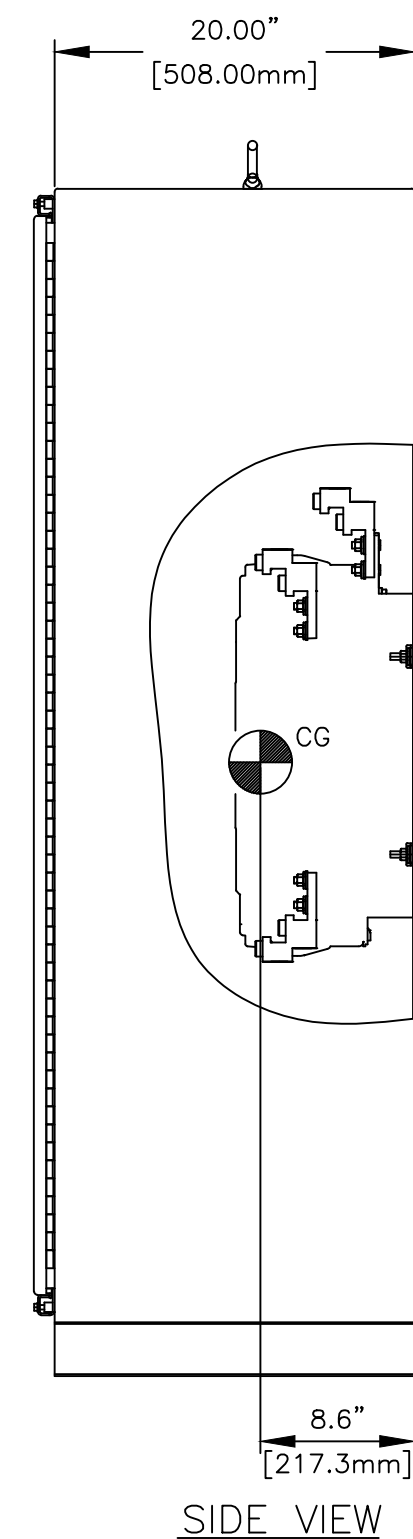
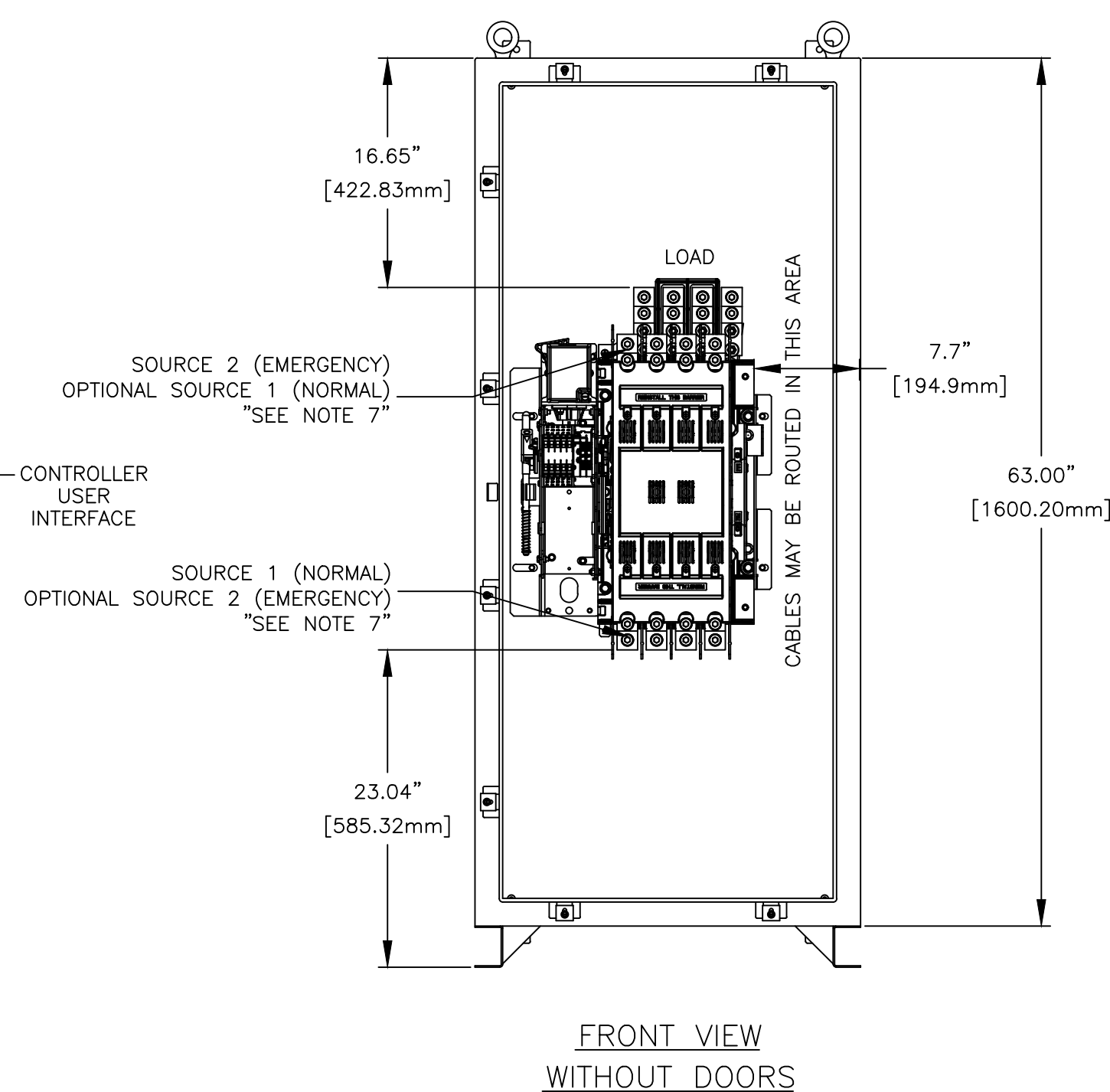
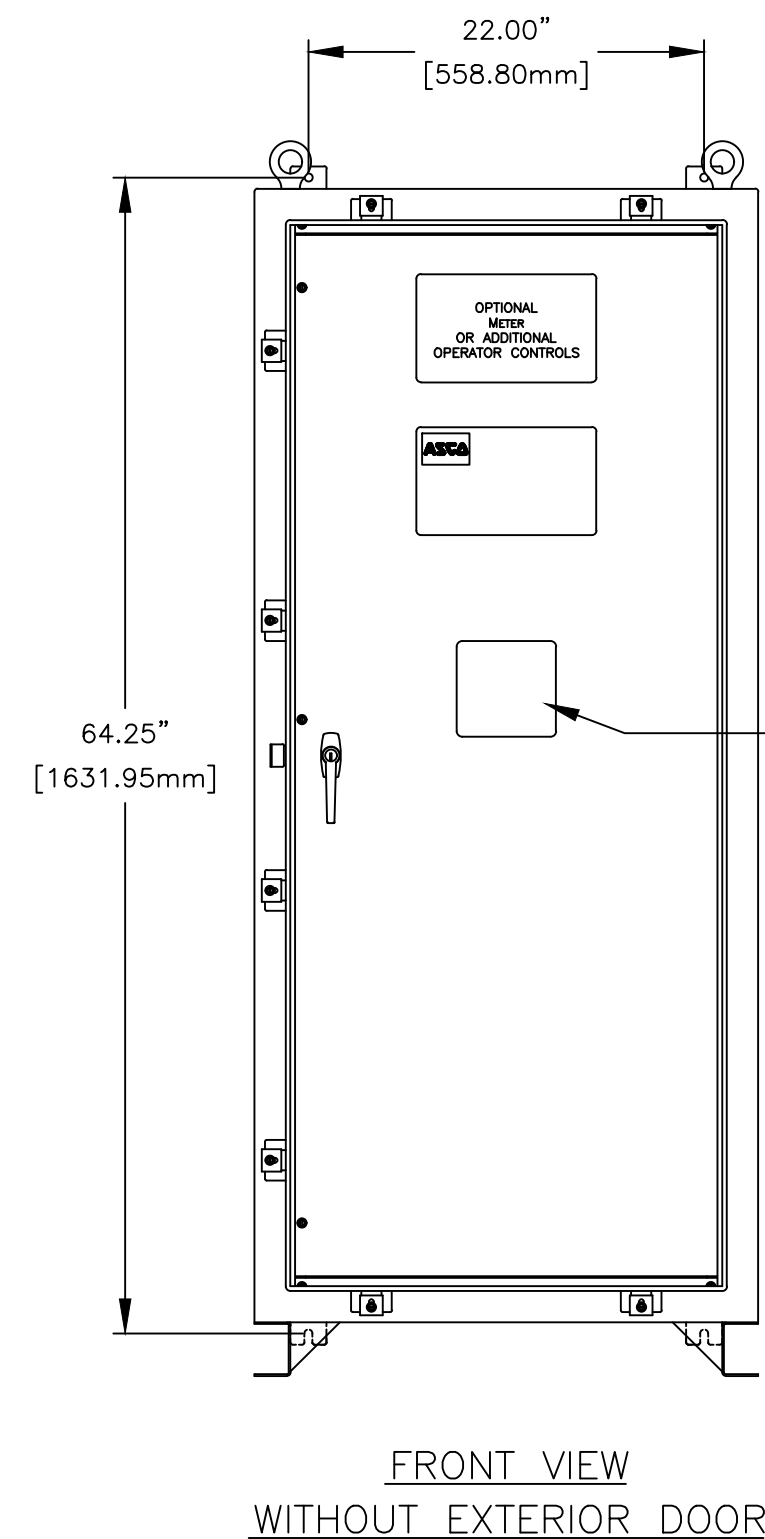
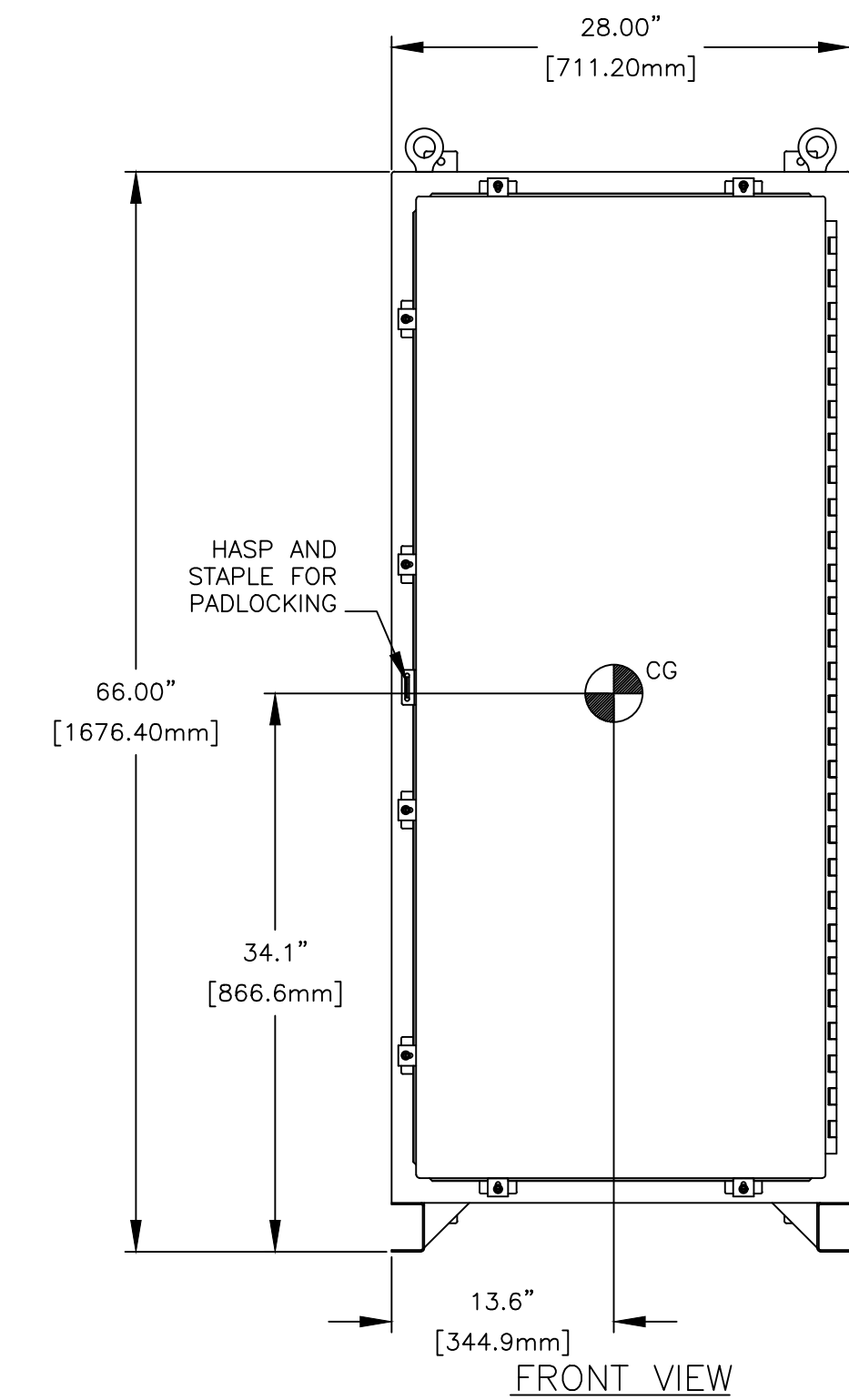
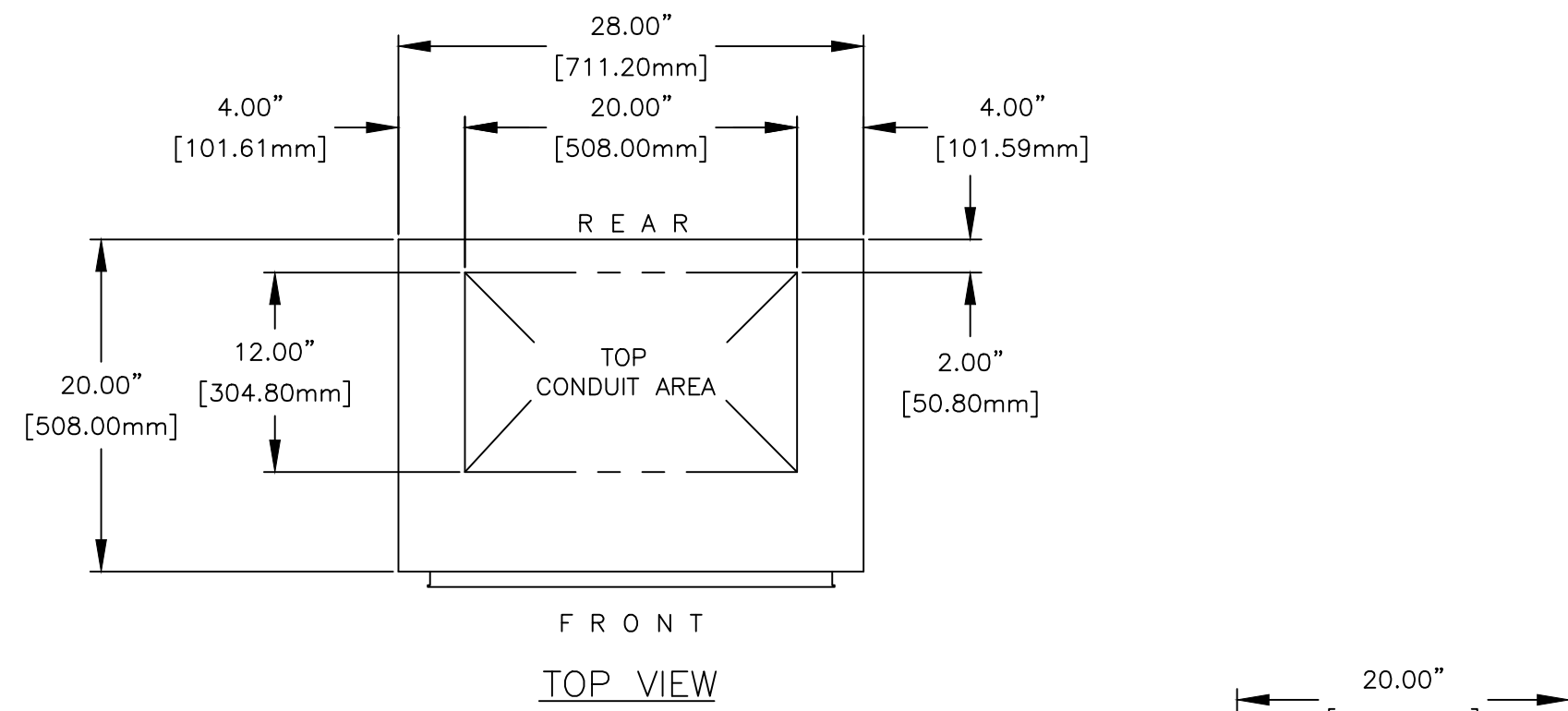
- J FRAME AUTOMATIC TRANSFER SWITCH.
- TRANSFER SWITCH RATING: 600 AMPS.  
 WITHSTAND AND CLOSING RATING WHEN PROTECTED BY A CIRCUIT BREAKER WITHOUT AN ADJUSTABLE SHORT TIME RESPONSE,  
 MAXIMUM 0.05 SECONDS, 65,000 RMS SYM @ 240V (SWITCHED, SOLID AND OVERLAPPING NEUTRAL).  
 MAXIMUM 0.05 SECONDS, 42,000 RMS SYM @ 480V (SWITCHED AND SOLID NEUTRAL).  
 MAXIMUM 0.05 SECONDS, 35,000 RMS SYM @ 480V (OVERLAPPING NEUTRAL).  
 MAXIMUM 0.05 SECONDS, 35,000 RMS SYM @ 600V (SWITCHED, SOLID AND OVERLAPPING NEUTRAL).
- A FULL RATED NEUTRAL CONNECTION FOR EACH SOURCE AND THE LOAD IS OPTIONAL. WHEN PROVIDED IT IS IN ONE OF THE FOLLOWING FORMATS.  
 A. SOLID NEUTRAL  
 B. SWITCHED NEUTRAL POLE  
 C. OVERLAPPING NEUTRAL POLE (NOT AVAILABLE ON ADTS & ACTS UNITS)
- UL 1008 OR CSA C22.2 No. 178.1

**TERMINATIONS 600A**

- MECHANICAL (SCREW TYPE) LUGS FOR CU/AL CABLE.  
 SOURCE 1 (NORMAL): (2) 1/0-600MCM [50-300mm<sup>2</sup>] PER PHASE & NEUTRAL  
 LOAD: (2) 1/0-600MCM [50-300mm<sup>2</sup>] PER PHASE & NEUTRAL  
 SOURCE 2 (EMERGENCY): (2) 1/0-600MCM [50-300mm<sup>2</sup>] PER PHASE & NEUTRAL  
 GROUND: (6) #2-600MCM [35-300mm<sup>2</sup>]  
 A. SUITABLE WIRE BENDING SPACE IS PROVIDED AS PER NEC.
- SWITCH MAY BE SUPPLIED WITHOUT LUGS.

**WIRING/CABLING**

- USE 90°C MINIMUM CU/AL WIRE FOR POWER CABLES.
- WIRE SIZE TO BE BASED ON AMPACITY OF 75°C WIRE.
- USE 60°C MINIMUM CU WIRE FOR CONTROLS.



Ø.562" [14.27 mm] MOUNTING HOLES 4 PLACES.  
 ½" [M12] MOUNTING HARDWARE MUST BE GRADE 5.  
 USE ½" [M12] BASE MOUNTING PLATE  
 SIMILAR TO \*POWER-STRUT P/N PS619.

PROJECT NAME:		305273 SV 09-05-23	
NEW ISSUE		REV. TO SHEET	ECN NO. BY APP. DATE
OUTLINE		MOUNTING	
JATS 600A		COMPUTER GENERATED DRAWING	
TYPE 3R/4/4X/12 SECURE 66 X 28 X 20, SEISMIC		SCALE 3/32" = 1" SIZE DS	
DRAWN BY	BY	DATE	MANUFACTURING TOLERANCES TO BE IN ACCORDANCE WITH ASCO PROCEDURE MP-1-003. FOR PLASTIC PARTS SEE MP-1-055.
CHECKED	SV	08-31-23	ASSEM. REF. NO.
PROJECT APPROVAL	PROPERTY OF ASCO POWER TECHNOLOGIES. USE PERMITTED FOR OUR WORK ONLY. ALL RIGHTS OF DESIGN OR INVENTION ARE RESERVED.		DWG. NO.
FINAL APPROVAL	ASCO POWER TECHNOLOGIES, L.P.		1518302-001
ASCO		FLORHAM PARK, NEW JERSEY 07932 U.S.A.	DRAWING REV. ECN 305273 SHEET 1 OF 1

8 7 6 5 4 3 2 1