

SpaceLogic™ MP-C-BAA Display

Override Display

Part number: SXWMPCDSP10A01

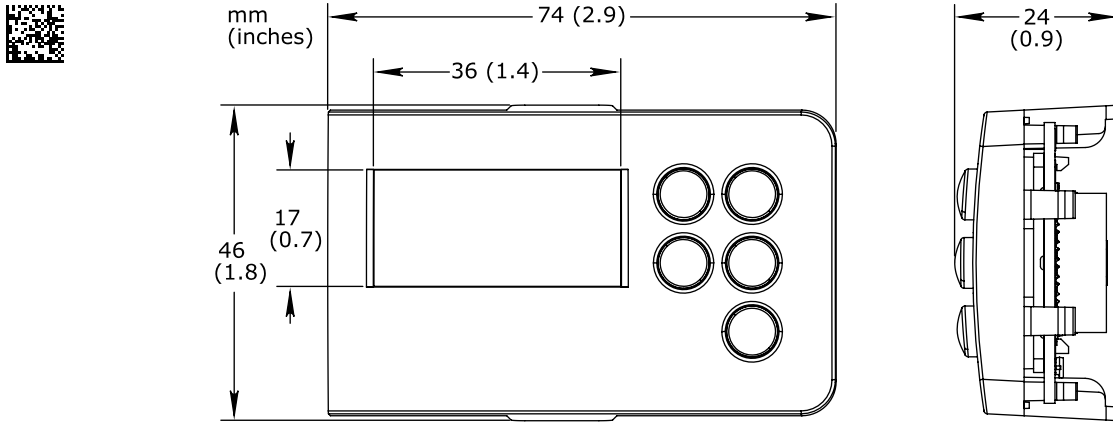
Regulatory Compliance and Safety Information

Electrical equipment should be installed, operated, serviced, and maintained only by qualified personnel. No responsibility is assumed by Schneider Electric for any consequences arising out of the use of this material. Carefully read these instructions and all information relevant for this product before trying to install it. See the list of technical literature. The technical literature and declarations of conformity can be accessed on the Schneider Electric Exchange website, ecobuilding.schneider-electric.com. Contact your local Schneider Electric sales office for a hard copy of the documentation or for additional information.

Technical Literature

- SpaceLogic Hardware Reference Guide, 04-XX001-XX-en

Dimensions



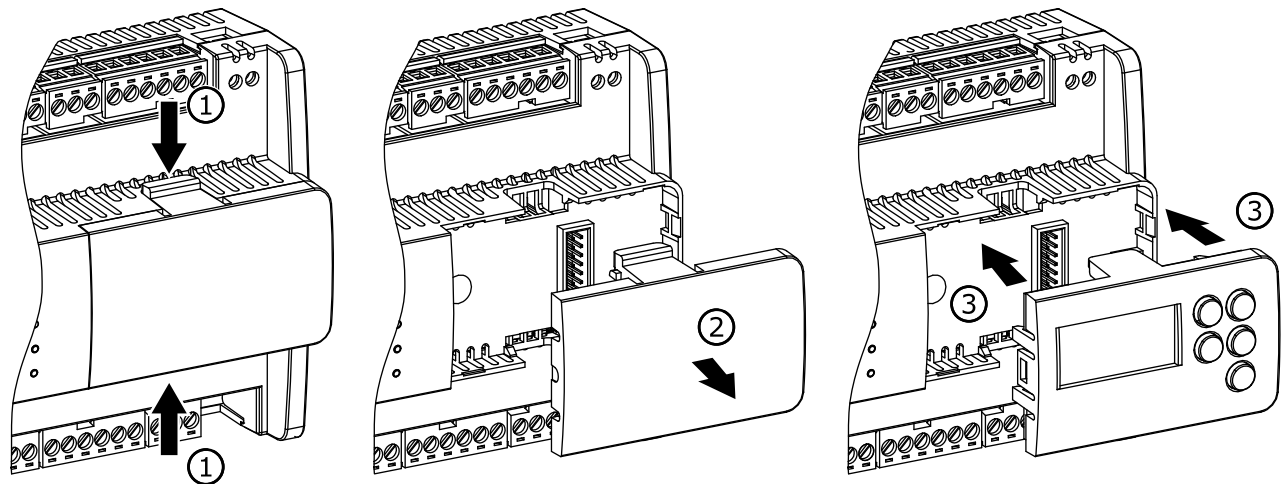
Installing the Module

NOTICE

EQUIPMENT DAMAGE

- Take proper grounding precautions before handling the display module to prevent damage from electrostatic discharge.
- Disconnect power before installing the display module.
- Do not try to remove the display module as it may damage the enclosure and the module. Once installed, the display module cannot be removed.

Failure to follow these instructions can result in equipment damage.



Part Numbers

Product

MP-C-BAA DISPLAY

Part number

SXWMPCDSP10A01

Specifications

DC input

Power consumption

max. 0.15 W (45 mA at 3.3 V)

Operation environment

Ambient temperature, operating

-30 to +60 °C (-22 to +140 °F)

Humidity

Maximum 95 % RH non-condensing

Mechanical

Plastic flame rating

UL94-5VB

Weight

0.035 kg (0.077 lb)

Addendum - California Proposition 65 Warning Statement for California Residents


⚠ WARNING: This product can expose you to chemicals including lead which is known to the State of California to cause cancer and which is known to the State of California to cause birth defects or other reproductive harm. For more information go to www.P65Warnings.ca.gov

部件名称 (Part Name)	有害物质 (Hazardous Substances)					
	铅 (Pb)	汞 (Hg)	镉 (Cd)	六价铬 (Cr (VI))	多溴联苯 (PBB)	多溴二苯醚 (PBDE)
塑料部件 (Plastic Parts)	○	○	○	○	○	○
电子件 (Electronics)	X	○	○	○	○	○

本表格依据 SJ/T11364 的规定编制。(This table is made according to SJ/T 11364.)

○: 表示该有害物质在该部件所有均质材料中的含量均在 GB/T 26572 规定的限量要求以下。
(Indicates that the concentration of hazardous substance in all of the homogeneous materials for this part is below the limit as stipulated in GB/T 26572.)

X: 表示该有害物质至少在该部件的某一均质材料中的含量超出 GB/T 26572 规定的限量要求。
(Indicates that the concentration of hazardous substance in at least one of the homogeneous materials used for this part is above the limit as stipulated in GB/T 26572.)



Regulatory Notices

This device complies with part 15 of the FCC Rules. Operation is subject to the following two conditions: (1) This device may not cause harmful interference, and (2) this device must accept any interference received, including interference that may cause undesired operation.

This Class B digital apparatus complies with Canadian ICES-003. Cet appareil numérique de la classe B est conforme à la norme NMB-003 du Canada.