

SpaceLogic™ IP-IO-BAA

I/O Module Models

Part numbers: SXWIPIOAA10A01, SXWIPIOBA10A01, and SXWIPIOCA10A01

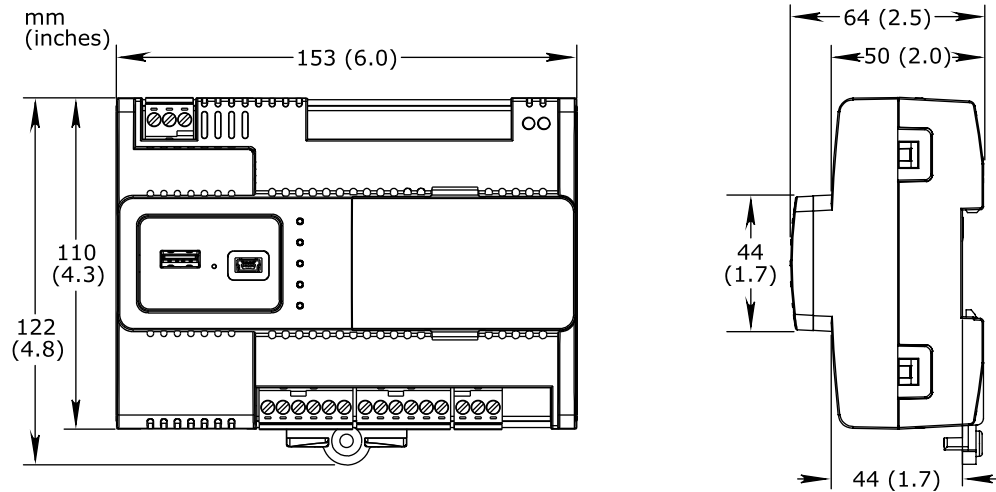
Regulatory Compliance and Safety Information

Electrical equipment should be installed, operated, serviced, and maintained only by qualified personnel. No responsibility is assumed by Schneider Electric for any consequences arising out of the use of this material. Carefully read these instructions and all information relevant for this product before trying to install it. See the list of technical literature. The technical literature and declarations of conformity can be accessed on the Schneider Electric Exchange website, ecobuilding.schneider-electric.com. Contact your local Schneider Electric sales office for a hard copy of the documentation or for additional information.

Technical Literature

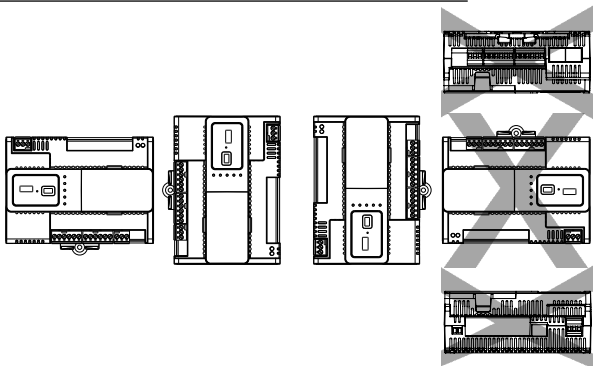
- SpaceLogic Hardware Reference Guide, 04-XX001-XX-en

Dimensions

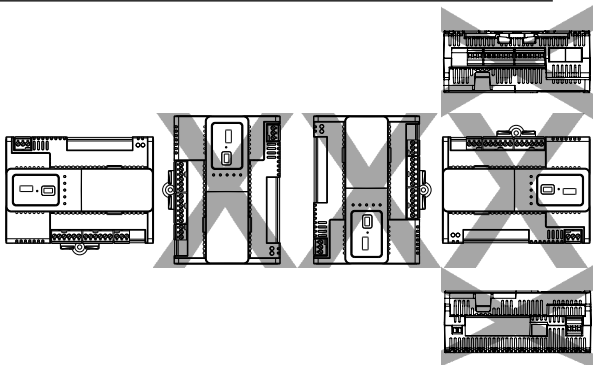


Installation Orientation Restrictions

Normal operation, 0 to 50 °C (32 to 122 °F):



Rooftop application, -40 to +60 °C (-40 to +140 °F):



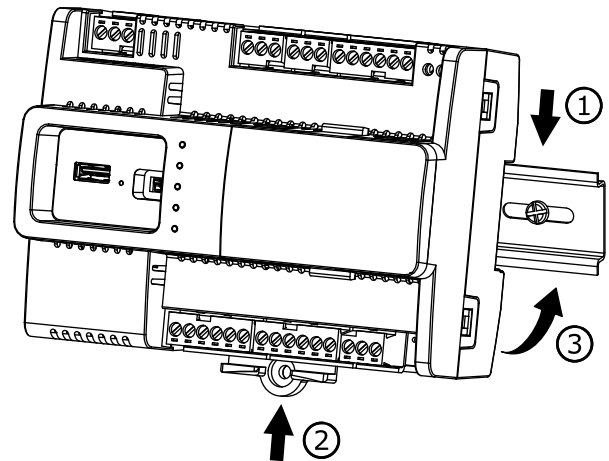
Installing the Device on a DIN Rail

NOTICE

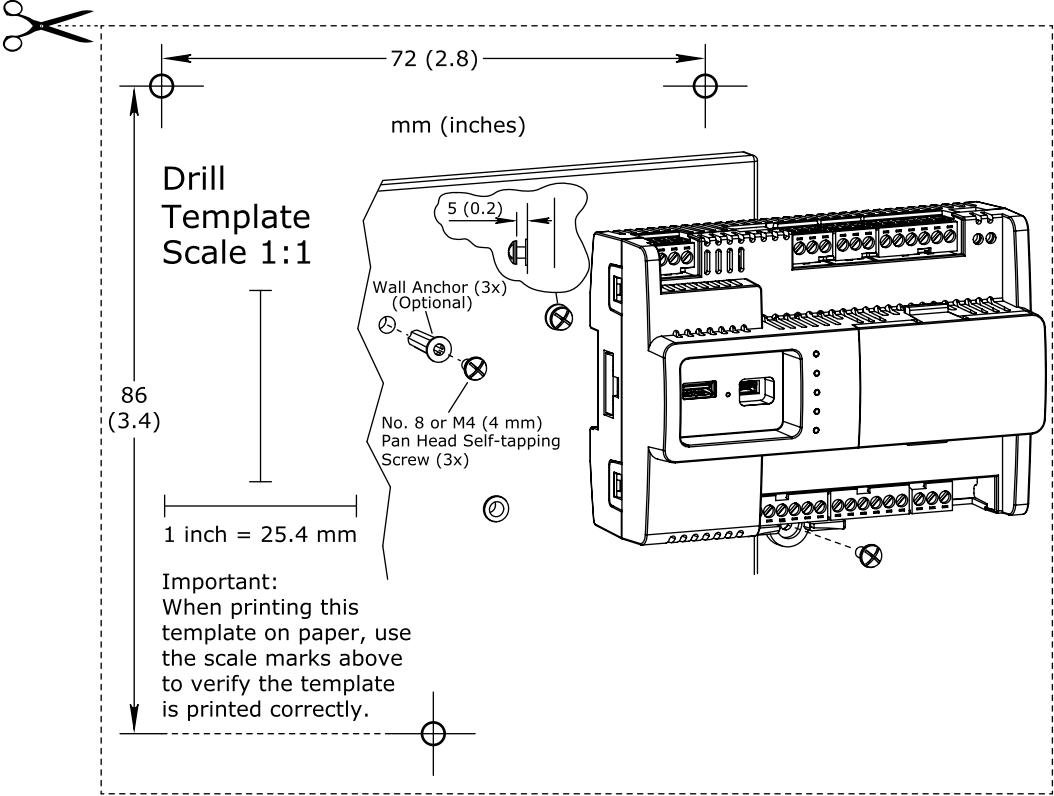
EQUIPMENT DAMAGE

Use the DIN rail end clip when you install the device on a vertical DIN rail.

Failure to follow these instructions can result in equipment damage.



Installing the Device on a Flat Surface



Connections

⚠️ ⚠️ DANGER

HAZARD OF ELECTRIC SHOCK, EXPLOSION, OR ARC FLASH

- Disconnect all line voltage connected to the IP-IO module and its relay outputs before working on the device.
- More than one disconnect switch may be required to de-energize this equipment before servicing.
- Connect only devices with safe extra low voltage equipment (SELV/PELV) inputs/outputs to the IP-IO module universal inputs/outputs.

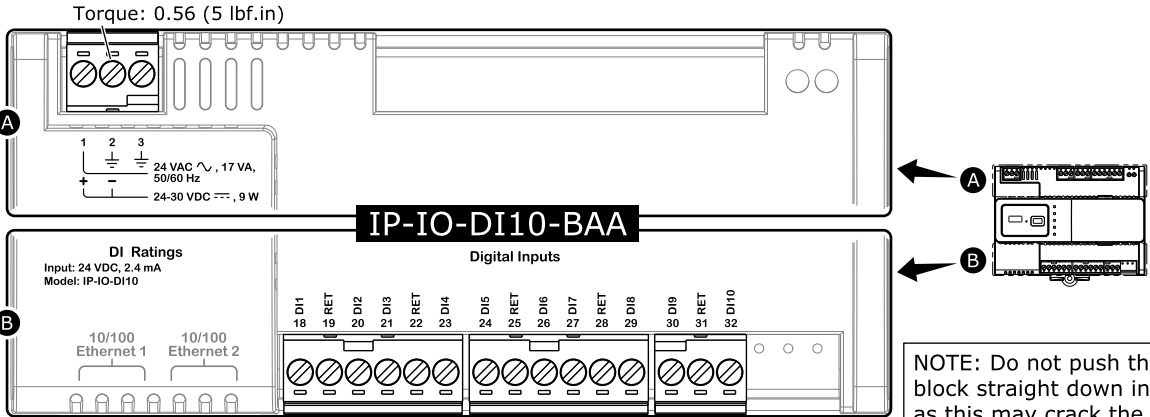
Failure to follow these instructions will result in death or serious injury.

NOTICE

EQUIPMENT DAMAGE

Before powering up the IP-IO module, ensure that the input power polarity is correct, the voltage level meets the specifications of the module, and the terminal blocks are plugged into the correct connector headers on the module.

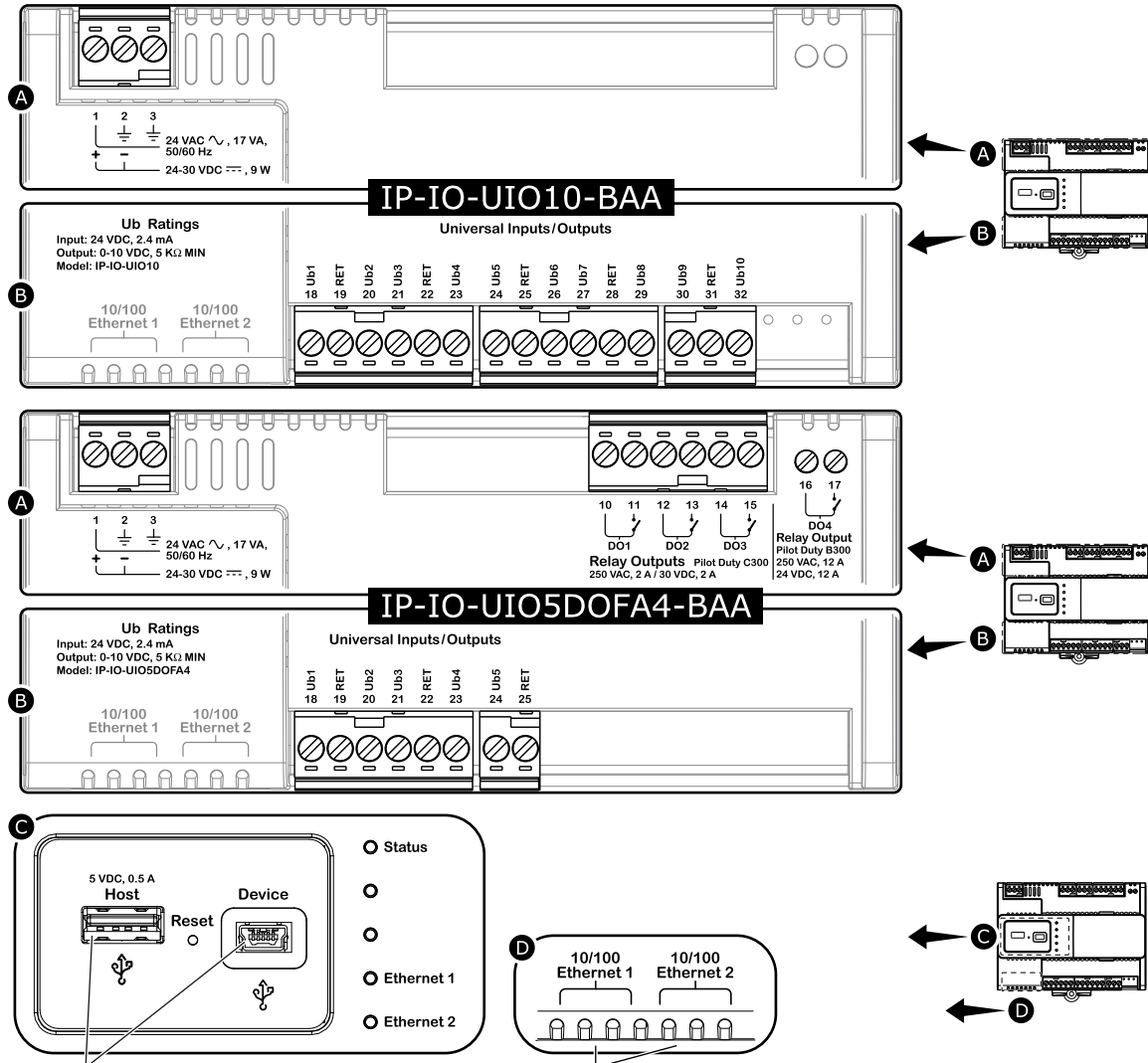
Failure to follow these instructions can result in equipment damage.



NOTE: Do not push the terminal block straight down into the header, as this may crack the header.



Connections, continued



The USB cable must not exceed 3 m (10 ft).

Use Cat 5 (or higher) cable, 22 to 26 AWG, rated for the target environment.

Wiring

Recommended screw tightening torque: 0.56 Nm (5 lbf.in)
 For information on wiring, see the SpaceLogic Hardware Reference Guide.

Part Numbers

Product	Part number
IP-IO-DI10-BAA	SXWIPIOAA10A01
IP-IO-UIO10-BAA	SXWIPIOBA10A01
IP-IO-UIO5DOFA4-BAA	SXWIPIOCA10A01
MP-C-BAA DISPLAY (MP-C override display module)	SXWMPCDSP10A01
DIN-rail end clip, 25 pieces	SXWDINEND10001

Specifications

AC input
Nominal voltage
 24 VAC \sim 50/60 Hz
Power consumption
 17 VA

DC input
Nominal voltage
 24 to 30 VDC ---
Power consumption
 9 W

Port types
USB device port
 Mini-B
USB host port
 Type-A
Ethernet port 1 and 2
 10/100BASE-TX RJ45

Operation environment
Ambient temperature, operating
 0 to 50 °C (32 to 122 °F) at normal operation
 -40 to +60 °C (-40 to +140 °F) for rooftop applications, horizontal installation only
 See section Installation Orientation Restrictions.
 MP-C Display temperature range: -30 to +60 °C (-22 to +140 °F)
Humidity
 Maximum 95 % RH non-condensing

Specifications, continued

Mechanical

Ingress protection rating

IP 20

Plastic flame rating

UL94-5VB

IP networking

IP address assignment methods

Static, DHCP (default), Auto-IP (address range 169.254.0.1 to 169.254.255.254, subnet mask 255.255.0.0)

DI – Digital inputs

Input rating

24 VDC --- , 2.4 mA

Channels

IP-IO-DI10: 10; IP-IO-UIO10: 0; IP-IO-UIO5DOFA4: 0

Ub – Universal I/O

Input rating

24 VDC --- , 2.4 mA

Voltage output rating

0 to 10 VDC --- , 5 kohm (min.)

Channels

IP-IO-DI10: 0; IP-IO-UIO10: 10; IP-IO-UIO5DOFA4: 5

DO – Relay outputs

Relay contact rating

250 VAC \sim / 30 VDC --- , 2 A

Pilot Duty (C300)

Channels

IP-IO-DI10: 0; IP-IO-UIO10: 0; IP-IO-UIO5DOFA4: 3

DO – High power relay outputs

Relay contact rating

250 VAC \sim / 24 VDC --- , 12 A

Pilot Duty (B300)

Channels

IP-IO-DI10: 0; IP-IO-UIO10: 0; IP-IO-UIO5DOFA4: 1

Addendum - California Proposition 65 Warning Statement for California Residents

⚠ WARNING: This product can expose you to chemicals including lead which is known to the State of California to cause cancer and which is known to the State of California to cause birth defects or other reproductive harm. For more information go to www.P65Warnings.ca.gov

部件名称 (Part Name)	有害物质 (Hazardous Substances)					
	铅 (Pb)	汞 (Hg)	镉 (Cd)	六价铬 (Cr (VI))	多溴联苯 (PBB)	多溴二苯醚 (PBDE)
塑料部件 (Plastic Parts)	○	○	○	○	○	○
电子件 (Electronics)	X	○	○	○	○	○

本表格依据 SJ/T11364 的规定编制。(This table is made according to SJ/T 11364.)

○: 表示该有害物质在该部件所有均质材料中的含量均在 GB/T 26572 规定的限量要求以下。
(Indicates that the concentration of hazardous substance in all of the homogeneous materials for this part is below the limit as stipulated in GB/T 26572.)

X: 表示该有害物质至少在该部件的某一均质材料中的含量超出 GB/T 26572 规定的限量要求。
(Indicates that the concentration of hazardous substance in at least one of the homogeneous materials used for this part is above the limit as stipulated in GB/T 26572.)

