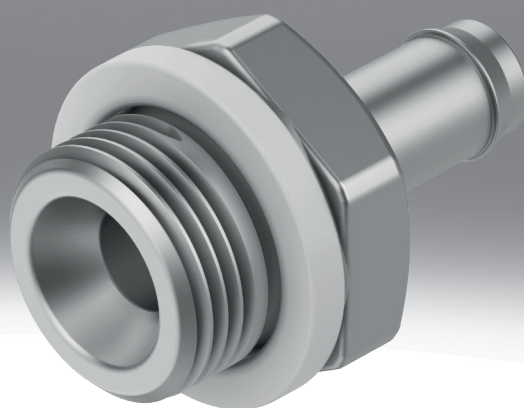


Barbed fitting CN

FESTO



Datasheet

Technical data – Barbed fitting N

Pneumatic connection, port 1	Male thread M5
Pneumatic connection, port 2	For tubing outside diameter of 4 mm For tubing outside diameter of 6 mm
Design	Straight design
Mounting position	optional
Type of seal on screwed plug	Sealing ring
Operating pressure complete temperature range	-0.95 ... 10 bar
Operating medium	Compressed air to ISO 8573-1:2010 [7:-]
Ambient temperature	-10 ... 60°C
Note on operating and pilot medium	Lubricated operation possible (in which case lubricated operation will always be required)
Corrosion resistance class CRC ¹⁾	1 - Low corrosion stress
Material housing	Brass
Note on materials	RoHS-compliant
LABS (PWIS) conformity	VDMA24364-B1/B2-L

1) More information www.festo.com/x/topic/crc

Technical data – Barbed fitting CN

Pneumatic connection, port 1	Male thread M3	Male thread M5	Male thread G1/8	Male thread G1/4	Male thread G3/8
Pneumatic connection, port 2	For tubing outer diameter of 3 mm For tubing outside diameter of 4 mm	For tubing outer diameter of 3 mm For tubing outside diameter of 4 mm For tubing outside diameter of 6 mm	For tubing outside diameter of 4 mm For tubing outside diameter of 6 mm For tubing outside diameter of 8 mm	For tubing outside diameter of 6 mm For tubing outside diameter of 8 mm	For tubing outside diameter of 8 mm
Type of seal on screwed plug	Sealing ring				
Operating pressure complete temperature range	-0.95 ... 10 bar				
Operating medium	Compressed air to ISO 8573-1:2010 [7:-]				
Ambient temperature	0 ... 60°C				
Note on operating and pilot medium	Lubricated operation possible (in which case lubricated operation will always be required)				
Corrosion resistance class CRC ¹⁾	–	2 - Moderate corrosion stress			
Material housing	High-alloy steel	Steel	Aluminium		
Note on materials	RoHS-compliant				
LABS (PWIS) conformity	VDMA24364-B1/B2-L				

1) More information www.festo.com/x/topic/crc

Technical data – Barbed fitting CRCN

Pneumatic connection, port 1	Male thread M5	Male thread G1/8	Male thread G1/4	Male thread G3/8
Pneumatic connection, port 2	For tubing outer diameter of 3 mm For tubing outside diameter of 4 mm For tubing outside diameter of 6 mm	For tubing outside diameter of 4 mm For tubing outside diameter of 6 mm For tubing outside diameter of 8 mm	For tubing outside diameter of 6 mm For tubing outside diameter of 8 mm	For tubing outside diameter of 8 mm
Type of seal on screwed plug	Sealing ring			
Operating pressure complete temperature range	-0.95 ... 10 bar			
Operating medium	Compressed air to ISO 8573-1:2010 [7:-]			
Ambient temperature	0 ... 60°C			
Note on operating and pilot medium	Lubricated operation possible (in which case lubricated operation will always be required)			
Corrosion resistance class CRC ¹⁾	2 - Moderate corrosion stress			
Suitable for use with food	See supplementary material information			
Material housing	High-alloy stainless steel			
Material thread seal	NBR, High-alloy stainless steel	PA-reinforced, TPE-U(PU)		
Note on materials	RoHS-compliant			
LABS (PWIS) conformity	VDMA24364-B2-L			

1) More information www.festo.com/x/topic/crc

Datasheet

Technical data – Barbed bulkhead connector SCN

Pneumatic connection, port 1	For tubing outside diameter of 3 mm	For tubing outer diameter of 4 mm	For tubing outside diameter of 6 mm	For tubing outer diameter of 8 mm
Operating pressure complete temperature range	-0.95 ... 10 bar			
Operating medium	Compressed air to ISO 8573-1:2010 [7:-:]			
Ambient temperature	0 ... 60°C			
Note on operating and pilot medium	Lubricated operation possible (in which case lubricated operation will always be required)			
Corrosion resistance class CRC ¹⁾	–			
Material housing	Aluminium			
Note on materials	RoHS-compliant			
LABS (PWIS) conformity	VDMA24364-B1/B2-L			

1) More information www.festo.com/x/topic/crc**Technical data – Barbed tubing connector RTU**

Pneumatic connection, port 1	For tubing outside diameter of 3 mm	For tubing outer diameter of 4 mm	For tubing outside diameter of 6 mm	For tubing outer diameter of 8 mm
Pneumatic connection, port 2	–	For tubing outer diameter of 3 mm, For tubing outside diameter of 4 mm	For tubing outside diameter of 4 mm, For tubing outside diameter of 6 mm	For tubing outside diameter of 6 mm
Operating medium	Compressed air to ISO 8573-1:2010 [7:-:]			
Note on operating and pilot medium	Lubricated operation possible (in which case lubricated operation will always be required)			
Material housing	Brass			
Note on materials	RoHS-compliant			
LABS (PWIS) conformity	VDMA24364-B1/B2-L			

Technical data – Barbed elbow fitting LCN

Pneumatic connection, port 1	Male thread M3	Male thread M5	Male thread G1/8	Male thread G1/4	Male thread G3/8
Pneumatic connection, port 2	For tubing outer diameter of 3 mm For tubing outside diameter of 4 mm	For tubing outer diameter of 3 mm For tubing outside diameter of 4 mm For tubing outside diameter of 6 mm	For tubing outside diameter of 4 mm For tubing outside diameter of 6 mm For tubing outside diameter of 8 mm	For tubing outside diameter of 6 mm For tubing outside diameter of 8 mm	For tubing outside diameter of 8 mm
Type of seal on screwed plug	Sealing ring				
Operating pressure complete temperature range	-0.95 ... 10 bar				
Operating medium	Compressed air to ISO 8573-1:2010 [7:-:]				
Ambient temperature	0 ... 60°C				
Note on operating and pilot medium	Lubricated operation possible (in which case lubricated operation will always be required)				
Corrosion resistance class CRC ¹⁾	2 - Moderate corrosion stress				
Material housing	Die-cast zinc, High-alloy stainless steel	Steel, Die-cast zinc	Aluminium, Die-cast zinc		
Note on materials	RoHS-compliant				
LABS (PWIS) conformity	VDMA24364-B1/B2-L				

1) More information www.festo.com/x/topic/crc

Datasheet

Technical data – Barbed elbow fitting LCNH

Pneumatic connection, port 1	Male thread M5	Male thread G1/8	Male thread G1/4	Male thread G3/8
Pneumatic connection, port 2	For tubing outer diameter of 3 mm For tubing outside diameter of 4 mm For tubing outside diameter of 6 mm	For tubing outside diameter of 4 mm For tubing outside diameter of 6 mm For tubing outside diameter of 8 mm	For tubing outside diameter of 6 mm For tubing outside diameter of 8 mm	For tubing outside diameter of 8 mm
Type of seal on screwed plug	Sealing ring			
Operating pressure complete temperature range	-0.95 ... 10 bar			
Operating medium	Compressed air to ISO 8573-1:2010 [7:-:]			
Ambient temperature	0 ... 60°C			
Note on operating and pilot medium	Lubricated operation possible (in which case lubricated operation will always be required)			
Corrosion resistance class CRC ¹⁾	2 - Moderate corrosion stress			
Material housing	Steel, Die-cast zinc	Aluminium, Die-cast zinc		
Note on materials	RoHS-compliant			
LABS (PWIS) conformity	VDMA24364-B1/B2-L			

1) More information www.festo.com/x/topic/crc

Technical data – Barbed L-connector L-PK

Pneumatic connection, port 1	For tubing outside diameter of 3 mm	For tubing outer diameter of 4 mm	For tubing outside diameter of 6 mm	For tubing outer diameter of 8 mm
Operating medium	Compressed air to ISO 8573-1:2010 [7:-:]			
Note on operating and pilot medium	Lubricated operation possible (in which case lubricated operation will always be required)			
Material housing	POM			
Note on materials	RoHS-compliant			
LABS (PWIS) conformity	VDMA24364-B1/B2-L			

Technical data – Barbed T-fitting TCN

Pneumatic connection, port 1	Male thread M3	Male thread M5	Male thread G1/8	Male thread G1/4	Male thread G3/8
Pneumatic connection, port 2	For tubing outer diameter of 3 mm For tubing outside diameter of 4 mm	For tubing outer diameter of 3 mm For tubing outside diameter of 4 mm For tubing outside diameter of 6 mm	For tubing outside diameter of 4 mm For tubing outside diameter of 6 mm For tubing outside diameter of 8 mm	For tubing outside diameter of 6 mm For tubing outside diameter of 8 mm	For tubing outside diameter of 8 mm
Type of seal on screwed plug	Sealing ring				
Operating pressure complete temperature range	-0.95 ... 10 bar				
Operating medium	Compressed air to ISO 8573-1:2010 [7:-:]				
Ambient temperature	0 ... 60°C				
Note on operating and pilot medium	Lubricated operation possible (in which case lubricated operation will always be required)				
Corrosion resistance class CRC ¹⁾	2 - Moderate corrosion stress				
Material housing	Die-cast zinc High-alloy stainless steel	Steel Die-cast zinc	Aluminium Die-cast zinc		
Note on materials	RoHS-compliant				
LABS (PWIS) conformity	VDMA24364-B1/B2-L				

1) More information www.festo.com/x/topic/crc

Technical data – Barbed T-connector T-PK

Pneumatic connection, port 1	For tubing outside diameter of 3 mm	For tubing outer diameter of 4 mm	For tubing outside diameter of 6 mm	For tubing outer diameter of 8 mm
Operating medium	Compressed air to ISO 8573-1:2010 [7:-:]			
Note on operating and pilot medium	Lubricated operation possible (in which case lubricated operation will always be required)			
Material housing	POM			
Note on materials	RoHS-compliant			
LABS (PWIS) conformity	VDMA24364-B1/B2-L			

Datasheet

Technical data – Barbed Y-connector Y-PK

Pneumatic connection, port 1	For tubing outside diameter of 3 mm	For tubing outer diameter of 4 mm	For tubing outside diameter of 6 mm	For tubing outer diameter of 8 mm
Operating medium	Compressed air to ISO 8573-1:2010 [7:-:]			
Note on operating and pilot medium	Lubricated operation possible (in which case lubricated operation will always be required)			
Material housing	POM			
Note on materials	RoHS-compliant			
LABS (PWIS) conformity	VDMA24364-B1/B2-L			

Technical data – Barbed T-connector FCN

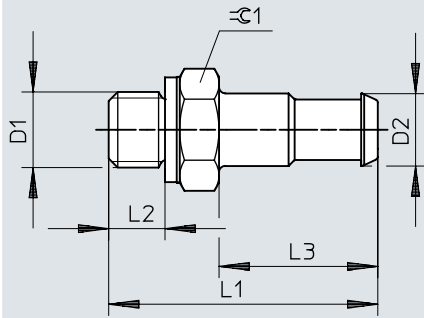
Pneumatic connection, port 1	For tubing outside diameter of 3 mm	For tubing outer diameter of 4 mm	For tubing outside diameter of 6 mm	For tubing outer diameter of 8 mm
Pneumatic connection, port 2	For tubing outside diameter of 4 mm	For tubing outside diameter of 6 mm	For tubing outside diameter of 8 mm	–
Operating pressure complete temperature range	-0.95 ... 10 bar			
Operating medium	Compressed air to ISO 8573-1:2010 [7:-:]			
Ambient temperature	0 ... 60°C			
Note on operating and pilot medium	Lubricated operation possible (in which case lubricated operation will always be required)			
Corrosion resistance class CRC ¹⁾	–			
Material housing	Die-cast zinc			
Note on materials	RoHS-compliant			
LABS (PWIS) conformity	VDMA24364-B1/B2-L			

1) More information www.festo.com/x/topic/crc

Dimensions

Dimensions – Barbed fitting N

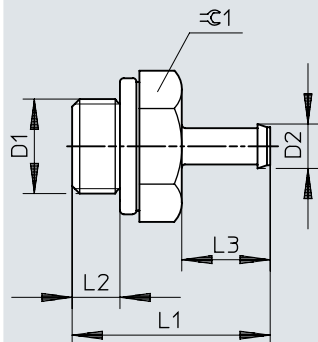
Download CAD data → www.festo.com



	D1	D2	L1	L2	L3	$R1$
N-M5-PK-3	M5	3,6	16	3,5	8,5	7
N-M5-PK-4		4,8	18	3,5	10,5	7

Dimensions

Dimensions – Barbed fitting CN

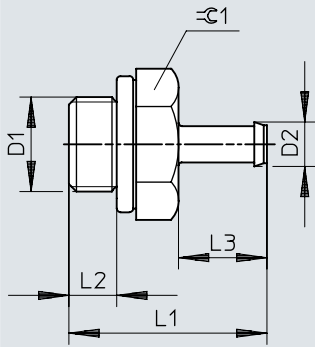
Download CAD data → www.festo.com

	D1	D2	L1	L2	L3	∠
CN-M3-PK-2	M3	2,6	10	3	5	4,5
CN-M3-PK-3		3,4	11	3	6	4,5
CN-M5-PK-2	M5	2,95	13,8	3,8	6	7
CN-M5-PK-3		3,6	17,5	3,8	9,7	7
CN-M5-PK-4		4,8	19,5	3,8	11,7	7
CN-1/8-PK-3	G1/8	3,6	20,2	4,9	9,7	13
CN-1/8-PK-4		4,8	22,2	4,9	11,7	13
CN-1/8-PK-6		7	24,5	4,9	14	13
CN-1/4-PK-4	G1/4	4,8	24,7	5,8	11,7	17
CN-1/4-PK-6		7	27	5,8	14	17
CN-3/8-PK-6	G3/8	7	28	6,8	14	19

Dimensions

Dimensions – Barbed fitting CRCN

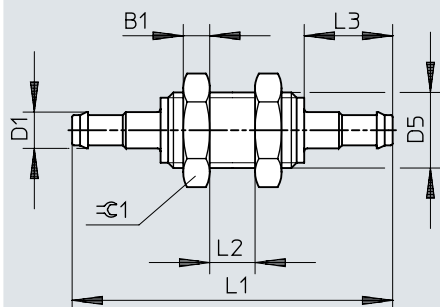
Download CAD data → www.festo.com



	D1	D2	L1	L2	L3	≡C
CRCN-M5-PK-2	M5	2,95	13,8	3,8	6	7
CRCN-M5-PK-3		3,6	17,5	3,8	9,7	7
CRCN-M5-PK-4		4,8	19,5	3,8	11,7	7
CRCN-1/8-PK-3	G1/8	3,6	20,2	4,9	9,7	13
CRCN-1/8-PK-4		4,8	22,2	4,9	11,7	13
CRCN-1/8-PK-6		7	24,5	4,9	14	13
CRCN-1/4-PK-4	G1/4	4,8	24,7	5,8	11,7	17
CRCN-1/4-PK-6		7	27	5,8	14	17
CRCN-3/8-PK-6	G3/8	7	28	6,8	14	19

Dimensions

Dimensions – Barbed bulkhead connector SCN

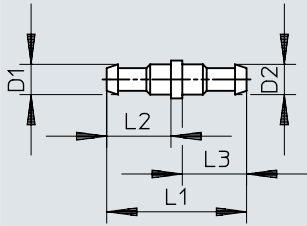
Download CAD data → www.festo.com

	B1	D1	D5	L1	L2	L3	≡
SCN-PK-2	2,2	2,95	M4	23,4	6	6	7
SCN-PK-3	3,2	3,6	M6x0,75	35,3	8	9,7	10
SCN-PK-4	3,5	4,8	M10x1	42,4	10	11,7	13
SCN-PK-6	4	7	M12x1	48	10	14	17

Dimensions

Dimensions – Barbed tubing connector RTU

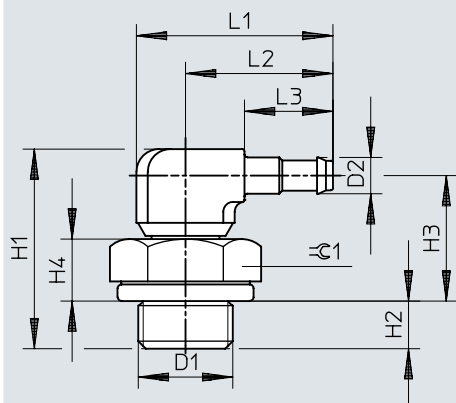
Download CAD data → www.festo.com



	D1	D2	L1	L2	L3
RTU-PK-2/2-B	2,95	2,95	14	6	6
RTU-PK-3/2	3,6	2,95	17,7	9,7	6
RTU-PK-3/3	3,6	3,6	19	8,5	8,5
RTU-PK-3/4	3,6	4,8	20	8,5	10,5
RTU-PK-4/4	4,8	4,8	23	10,5	10,5
RTU-PK-4/6	4,8	7	25,5	10,5	13
RTU-PK-6/6	7	7	28	13	13

Dimensions

Dimensions – Barbed elbow fitting LCN

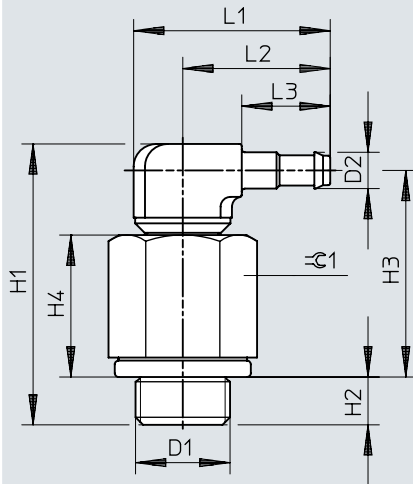
Download CAD data → www.festo.com

	D1	D2	H1	H2	H3	H4	L1	L2	L3	±G
LCN-M3-PK-2-B	M3	2,95	14	2,8	9,2	3,0	12,2	9,6	6	4,5
LCN-M3-PK-3		3,6	15,2	2,8	9,8	3,0	15,9	13,3	9,7	4,5
LCN-M5-PK-2	M5	2,95	16	3,8	10,2	4,0	12,2	9,6	6	7
LCN-M5-PK-3		3,6	20,1	3,8	13,7	4,0	18,7	14,7	9,7	7
LCN-M5-PK-4		4,8	21,4	3,8	13,9	4,0	20,7	16,7	11,7	7
LCN-1/8-PK-3	G1/8	3,6	21,2	4,9	13,7	5,6	24	17,5	9,7	13
LCN-1/8-PK-4		4,8	22,55	4,9	14,15	5,6	26	19,5	11,7	13
LCN-1/8-PK-6		7	24,45	4,9	15,15	5,6	28,5	22	14,2	13
LCN-1/4-PK-4	G1/4	4,8	25,05	5,8	15,75	7,2	26	19,5	11,7	17
LCN-1/4-PK-6		7	26,95	5,8	16,75	7,2	28,5	22	14,2	17
LCN-3/8-PK-6	G3/8	7	27,95	6,8	16,75	7,2	28,5	22	14,2	19

Dimensions

Dimensions – Barbed elbow fitting LCNH

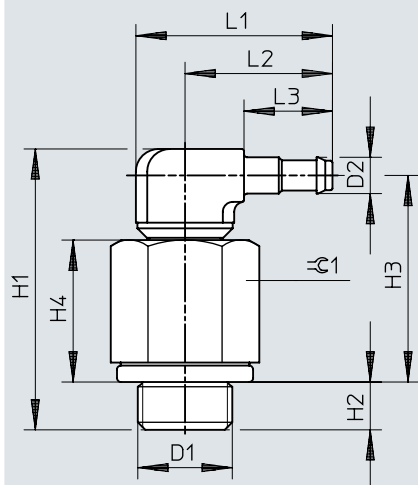
Download CAD data → www.festo.com



	D1	D2	H1	H2	H3	H4	L1	L2	L3	≡
LCNH-M5-PK-2	M5	2,95	26,9	3,8	21,1	14,9	12,2	9,6	6	7
LCNH-M5-PK-3		3,6	28,7	3,8	22,3	12,6	18,7	14,7	9,7	7
LCNH-M5-PK-4		4,8	30,2	3,8	22,9	12,6	20,7	16,7	11,7	7
LCNH-1/8-PK-3	G1/8	3,6	31,8	4,9	24,3	16,2	24	17,5	9,7	13
LCNH-1/8-PK-4		4,8	33,15	4,9	24,75	16,2	26	19,5	11,7	13
LCNH-1/8-PK-6		7	35,05	4,9	25,75	16,2	28,5	22	14,2	13
LCNH-1/4-PK-4	G1/4	4,8	35,65	5,8	26,35	17,8	26	19,5	11,7	17
LCNH-1/4-PK-6		7	37,55	5,8	27,35	17,8	28,5	22	14,2	17
LCNH-3/8-PK-6	G3/8	7	38,55	6,8	27,35	17,8	28,5	22	14,2	19

Dimensions

Dimensions – Barbed L-connector L-PK

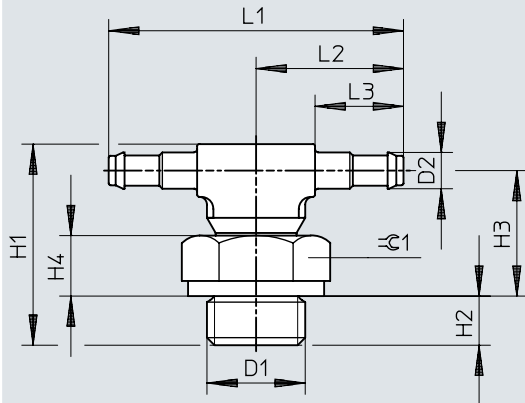
Download CAD data → www.festo.com

	D1	D2	H1	H2	H3	H4	L1	L2	L3	±G
LCNH-M5-PK-2	M5	2,95	26,9	3,8	21,1	14,9	12,2	9,6	6	7
LCNH-M5-PK-3		3,6	28,7	3,8	22,3	12,6	18,7	14,7	9,7	7
LCNH-M5-PK-4		4,8	30,2	3,8	22,9	12,6	20,7	16,7	11,7	7
LCNH-1/8-PK-3	G1/8	3,6	31,8	4,9	24,3	16,2	24	17,5	9,7	13
LCNH-1/8-PK-4		4,8	33,15	4,9	24,75	16,2	26	19,5	11,7	13
LCNH-1/8-PK-6		7	35,05	4,9	25,75	16,2	28,5	22	14,2	13
LCNH-1/4-PK-4	G1/4	4,8	35,65	5,8	26,35	17,8	26	19,5	11,7	17
LCNH-1/4-PK-6		7	37,55	5,8	27,35	17,8	28,5	22	14,2	17
LCNH-3/8-PK-6		G3/8	7	38,55	6,8	27,35	17,8	28,5	22	14,2

Dimensions

Dimensions – Barbed T-fitting TCN

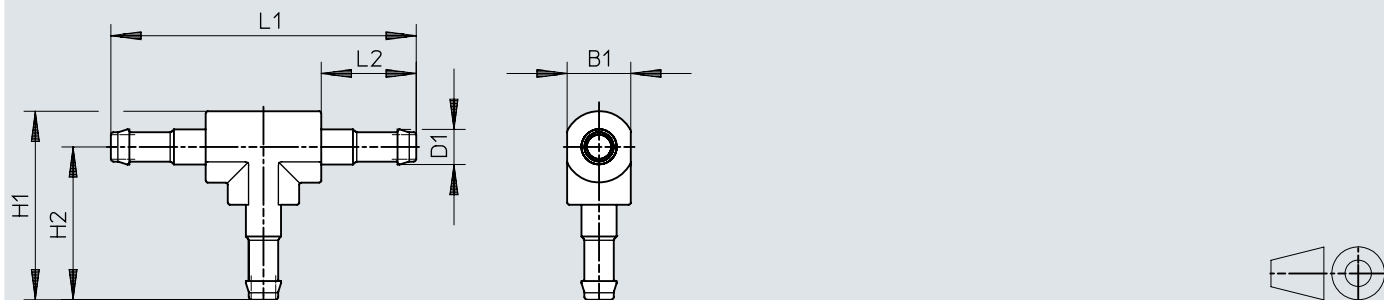
Download CAD data → www.festo.com



	D1	D2	H1	H2	H3	H4	L1	L2	L3	≅
TCN-M3-PK-2	M3	2,95	14	2,8	9,2	3,0	19,2	9,6	6	4,5
TCN-M3-PK-3		3,6	15,2	2,8	9,8	3,0	26,6	13,3	9,7	4,5
TCN-M5-PK-2	M5	2,95	16	3,8	10,2	4,0	19,2	9,6	6	7
TCN-M5-PK-3		3,6	20,1	3,8	13,7	4,0	29,4	14,7	9,7	7
TCN-M5-PK-4		4,8	18,1	3,8	14,3	4,0	33,4	16,7	11,7	7
TCN-1/8-PK-3	G1/8	3,6	21,2	4,9	13,7	5,6	35	17,5	9,7	13
TCN-1/8-PK-4		4,8	22,55	4,9	14,15	5,6	39	19,5	11,7	13
TCN-1/8-PK-6		7	24,45	4,9	15,15	5,6	44	22	14,2	13
TCN-1/4-PK-4	G1/4	4,8	25,05	5,8	15,75	7,2	39	19,5	11,7	17
TCN-1/4-PK-6		7	26,95	5,8	16,75	7,2	44	22	14,2	17
TCN-3/8-PK-6	G3/8	7	27,95	6,8	16,75	7,2	44	22	14,2	19

Dimensions

Dimensions – Barbed T-connector T-PK

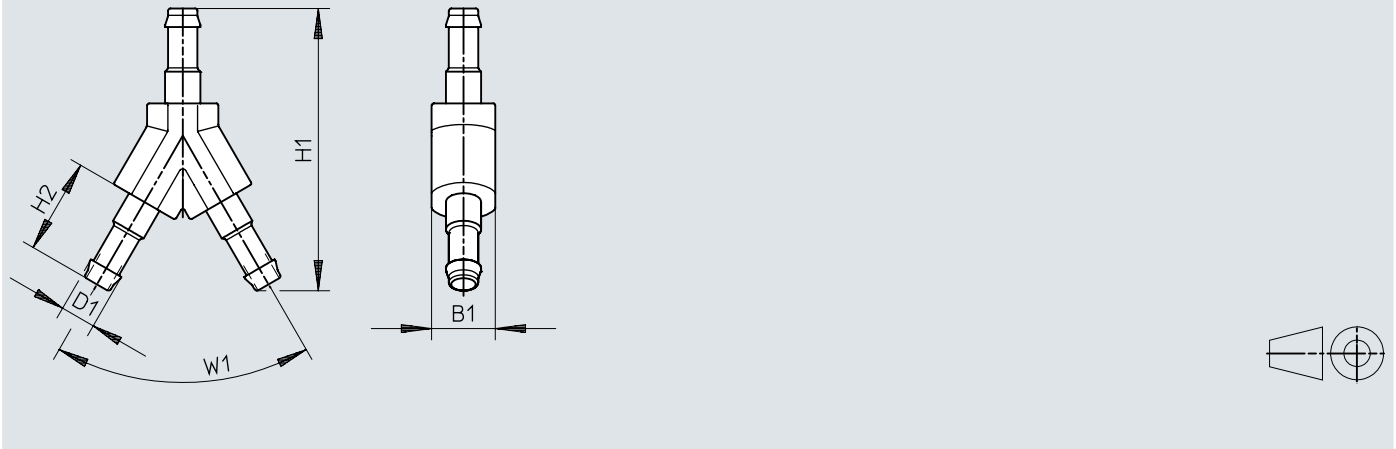
Download CAD data → www.festo.com

	B1	D1	H1	H2	L1	L2
T-PK-2	4	2,95	12,2	10,2	20,4	6
T-PK-3	6,5	3,6	19,25	15,6	31,2	9,7
T-PK-4	7,8	4,8	23	18,7	37,4	11,7
T-PK-6	10,4	7	31,5	26,3	52,6	14

Dimensions

Dimensions – Barbed Y-connector Y-PK

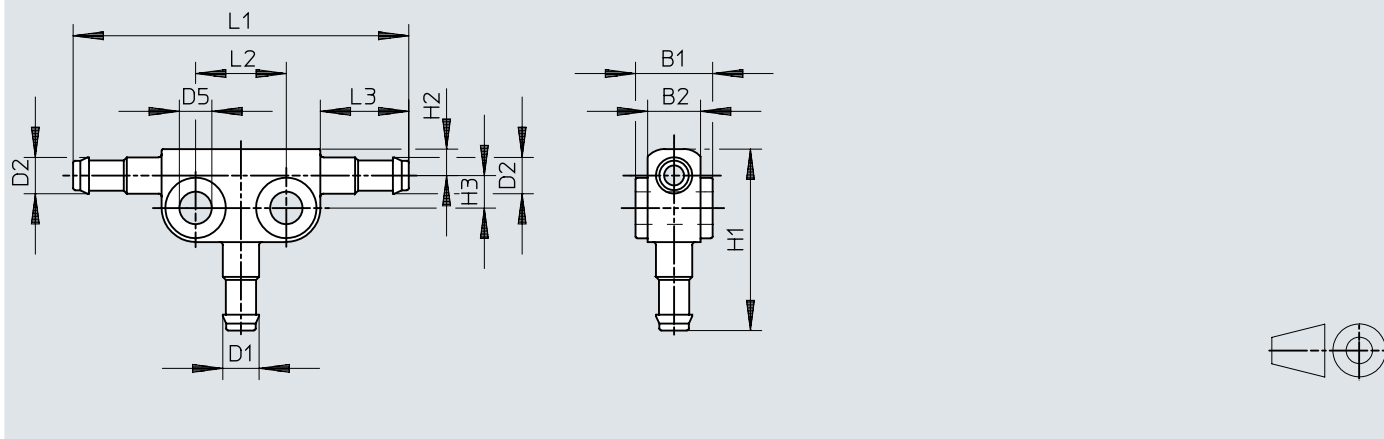
Download CAD data → www.festo.com



	B1	D1	H1	H2
Y-PK-2	4	2,95	18	6
Y-PK-3	6,5	3,6	28,8	9,7
Y-PK-4	7,8	4,8	34,5	11,7
Y-PK-6	10,4	7	49,2	14

Dimensions


Dimensions – Barbed T-connector FCN

Download CAD data → www.festo.com


	B1	B2	D1	D2	D5	H1	H2	H3	L1	L2	L3
FCN-3-PK-2B	6	4	2,95	2,95	3,2	15,7	3,1	2,6	28	8	6
FCN-3-PK-3/2	8,4	5,2	2,95	3,6	4,3	17,9	3,5	3,9	38,4	10	9,7
FCN-3-PK-3	8,4	5,2	3,6	3,6	4,3	21,6	3,5	3,9	38,4	10	9,7
FCN-3-PK-4/3	10,2	7	3,6	4,8	4,3	22	3,5	4,3	44,4	12	11,7
FCN-3-PK-4	10,2	7	4,8	4,8	4,3	24	3,5	4,3	44,4	12	11,7
FCN-3-PK-6/4	12	8,8	4,8	7	4,3	25,9	4,4	5,3	49,4	12	14,2
FCN-3-PK-6	12	8,8	7	7	4,3	28,4	4,4	5,3	49,4	12	14,2

Ordering data


Ordering data – Barbed fitting N

	Pneumatic connection, port 1	Pneumatic connection, port 2	Nominal size	Product weight	Part no.	Type
	Male thread M5	For tubing outside diameter of 4 mm	2.5 mm	2 g	4446	N-M5-PK-3
		For tubing outside diameter of 6 mm			4902	N-M5-PK-4


Ordering data – Barbed fitting CN


	Pneumatic connection, port 1	Pneumatic connection, port 2	Nominal size	Part no.	Type
	Male thread M3	For tubing outer diameter of 3 mm	1.5 mm	15871	CN-M3-PK-2
		For tubing outside diameter of 4 mm		15872	CN-M3-PK-3
	Male thread M5	For tubing outer diameter of 3 mm	2.5 mm	19521	CN-M5-PK-2
		For tubing outside diameter of 4 mm		12255	CN-M5-PK-3
		For tubing outside diameter of 6 mm		12256	CN-M5-PK-4
	Male thread G1/8	For tubing outside diameter of 4 mm	3.2 mm	11944	CN-1/8-PK-3
		For tubing outside diameter of 6 mm		11945	CN-1/8-PK-4
		For tubing outside diameter of 8 mm		11946	CN-1/8-PK-6
	Male thread G1/4	For tubing outside diameter of 6 mm	5.3 mm	11947	CN-1/4-PK-4
		For tubing outside diameter of 8 mm		11948	CN-1/4-PK-6
Male thread G3/8	For tubing outside diameter of 8 mm	5.3 mm	11949	CN-3/8-PK-6	


Ordering data – Barbed fitting CRCN


	Pneumatic connection, port 1	Pneumatic connection, port 2	Nominal size	Product weight	Part no.	Type	
	Male thread M5	For tubing outer diameter of 3 mm	1.5 mm	1.8 g	30985	CRCN-M5-PK-2	
		For tubing outside diameter of 4 mm	2.5 mm	1.74 g	13967	CRCN-M5-PK-3	
		For tubing outside diameter of 6 mm		2.58 g	13968	CRCN-M5-PK-4	
	Male thread G1/8	For tubing outside diameter of 4 mm	3.2 mm	7.52 g	13969	CRCN-1/8-PK-3	
		For tubing outside diameter of 6 mm			7.86 g	13970	CRCN-1/8-PK-4
		For tubing outside diameter of 8 mm			7.5 g	13971	CRCN-1/8-PK-6
	Male thread G1/4	For tubing outside diameter of 6 mm	5.3 mm	17.73 g	13972	CRCN-1/4-PK-4	
		For tubing outside diameter of 8 mm			16.5 g	13973	CRCN-1/4-PK-6

Ordering data

Ordering data – Barbed fitting CRCN						
	Pneumatic connection, port 1	Pneumatic connection, port 2	Nominal size	Product weight	Part no.	Type
	Male thread G3/8	For tubing outside diameter of 8 mm	5.3 mm	23.7 g	13974	CRCN-3/8-PK-6


Ordering data – Barbed bulkhead connector SCN					
	Pneumatic connection, port 1	Nominal size	Part no.	Type	
	For tubing outside diameter of 3 mm	1.5 mm	19528	SCN-PK-2	
	For tubing outer diameter of 4 mm	1.9 mm	11972	SCN-PK-3	
	For tubing outside diameter of 6 mm	2.8 mm	11973	SCN-PK-4	
	For tubing outer diameter of 8 mm	4.8 mm	11974	SCN-PK-6	

Ordering data – Barbed tubing connector RTU					
	Pneumatic connection, port 1	Pneumatic connection, port 2	Nominal size	Part no.	Type
	For tubing outside diameter of 3 mm		1.5 mm	19541	RTU-PK-2/2-B
	For tubing outer diameter of 4 mm			10884	RTU-PK-1/8"-3
	For tubing outside diameter of 6 mm	For tubing outer diameter of 3 mm	1.5 mm	19542	RTU-PK-2/3
			For tubing outside diameter of 4 mm	2.5 mm	4805
		For tubing outside diameter of 6 mm	For tubing outside diameter of 6 mm	3.4 mm	4499
	For tubing outer diameter of 8 mm	For tubing outside diameter of 6 mm	3.4 mm	4806	RTU-PK-4/4
			5.3 mm	7605	RTU-PK-6/6
			3.4 mm	7604	RTU-PK-4/6

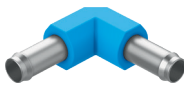
Ordering data – Barbed elbow fitting LCN					
	Pneumatic connection, port 1	Pneumatic connection, port 2	Nominal size	Part no.	Type
	Male thread M3	For tubing outer diameter of 3 mm	1.3 mm	30491	LCN-M3-PK-2-B
		For tubing outside diameter of 4 mm	2 mm	30982	LCN-M3-PK-3
	Male thread M5	For tubing outer diameter of 3 mm	1.3 mm	19523	LCN-M5-PK-2
		For tubing outside diameter of 4 mm	2 mm	12257	LCN-M5-PK-3
		For tubing outside diameter of 6 mm	2.9 mm	12258	LCN-M5-PK-4
	Male thread G1/8	For tubing outside diameter of 4 mm	2 mm	11955	LCN-1/8-PK-3
		For tubing outside diameter of 6 mm	2.9 mm	11956	LCN-1/8-PK-4
		For tubing outside diameter of 8 mm	4.9 mm	11957	LCN-1/8-PK-6
	Male thread G1/4	For tubing outside diameter of 6 mm	2.9 mm	12958	LCN-1/4-PK-4
		For tubing outside diameter of 8 mm	4.9 mm	12959	LCN-1/4-PK-6
	Male thread G3/8				12960

Ordering data


Ordering data – Barbed elbow fitting LCNH

	Pneumatic connection, port 1	Pneumatic connection, port 2	Nominal size	Part no.	Type
	Male thread M5	For tubing outer diameter of 3 mm	1.3 mm	35982	LCNH-M5-PK-2
		For tubing outside diameter of 4 mm	2 mm	35983	LCNH-M5-PK-3
		For tubing outside diameter of 6 mm	2.9 mm	35984	LCNH-M5-PK-4
	Male thread G1/8	For tubing outside diameter of 4 mm	2 mm	35985	LCNH-1/8-PK-3
		For tubing outside diameter of 6 mm	2.9 mm	35986	LCNH-1/8-PK-4
		For tubing outside diameter of 8 mm	4.9 mm	35987	LCNH-1/8-PK-6
	Male thread G1/4	For tubing outside diameter of 6 mm	2.9 mm	35988	LCNH-1/4-PK-4
		For tubing outside diameter of 8 mm	4.9 mm	35989	LCNH-1/4-PK-6
	Male thread G3/8	For tubing outside diameter of 8 mm		35990	LCNH-3/8-PK-6

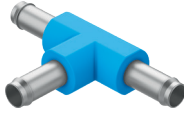
Ordering data – Barbed L-connector L-PK

	Pneumatic connection, port 1	Nominal size	Part no.	Type
	For tubing outside diameter of 3 mm	1.5 mm	19539	L-PK-2
	For tubing outer diameter of 4 mm	2.5 mm	7473	L-PK-3
	For tubing outside diameter of 6 mm	3.4 mm	9584	L-PK-4
	For tubing outer diameter of 8 mm	5.3 mm	150012	L-PK-6

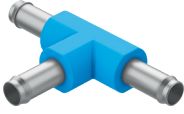
Ordering data – Barbed T-fitting TCN


	Pneumatic connection, port 1	Pneumatic connection, port 2	Nominal size	Part no.	Type
	Male thread M3	For tubing outer diameter of 3 mm	1.3 mm	30492	TCN-M3-PK-2
		For tubing outside diameter of 4 mm	2 mm	30983	TCN-M3-PK-3
	Male thread M5	For tubing outer diameter of 3 mm	1.3 mm	19525	TCN-M5-PK-2
		For tubing outside diameter of 4 mm	2 mm	12259	TCN-M5-PK-3
		For tubing outside diameter of 6 mm	2.9 mm	12432	TCN-M5-PK-4
	Male thread G1/8	For tubing outside diameter of 4 mm	2 mm	11961	TCN-1/8-PK-3
		For tubing outside diameter of 6 mm	2.9 mm	11962	TCN-1/8-PK-4
		For tubing outside diameter of 8 mm	4.9 mm	11963	TCN-1/8-PK-6
	Male thread G1/4	For tubing outside diameter of 6 mm	2.9 mm	11964	TCN-1/4-PK-4
		For tubing outside diameter of 8 mm	4.9 mm	11965	TCN-1/4-PK-6
	Male thread G3/8	For tubing outside diameter of 8 mm		11966	TCN-3/8-PK-6

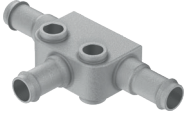
Ordering data – Barbed T-connector T-PK

	Pneumatic connection, port 1	Nominal size	Part no.	Type
	For tubing outside diameter of 3 mm	1.5 mm	30919	T-PK-2

Ordering data

Ordering data – Barbed T-connector T-PK				
	Pneumatic connection, port 1	Nominal size	Part no.	Type
	For tubing outer diameter of 4 mm	2.5 mm	7267	T-PK-3
	For tubing outside diameter of 6 mm	3.4 mm	9585	T-PK-4
	For tubing outer diameter of 8 mm	5.3 mm	150015	T-PK-6

Ordering data – Barbed Y-connector Y-PK				
	Pneumatic connection, port 1	Nominal size	Part no.	Type
	For tubing outside diameter of 3 mm	1.5 mm	19540	Y-PK-2
	For tubing outer diameter of 4 mm	2.5 mm	7269	Y-PK-3
	For tubing outside diameter of 6 mm	3.4 mm	9586	Y-PK-4
	For tubing outer diameter of 8 mm	5.3 mm	150013	Y-PK-6

Ordering data – Barbed T-connector FCN					
	Pneumatic connection, port 1	Pneumatic connection, port 2	Nominal size	Part no.	Type
	For tubing outside diameter of 3 mm		1.3 mm	19527	FCN- 3-PK-2 B
		For tubing outside diameter of 4 mm		31314	FCN-3-PK-3/2
	For tubing outer diameter of 4 mm		2 mm	14768	FCN-3-PK-3
		For tubing outside diameter of 6 mm		31315	FCN-3-PK-4/3
	For tubing outside diameter of 6 mm		2.9 mm	14769	FCN-3-PK-4
		For tubing outside diameter of 8 mm		31316	FCN-3-PK-6/4
	For tubing outer diameter of 8 mm		4.9 mm	14770	FCN-3-PK-6