
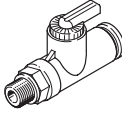
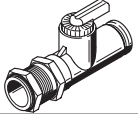
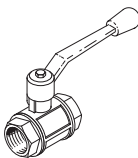


## Ball valves

**FESTO**



Product range overview

Function	Design	Type	Pneumatic connection		Valve function		qnN [l/min]	→ Page/ Internet
			1	2	2/2-way valve	3/2-way valve		
Ball valves	<b>Push-in connector at both ends</b>							
		QH	QS-4	QS-4	■	-	148	5
			QS-6	QS-6	■	-	533	
	<b>Male thread/push-in connector</b>							
		QH	R1/8	QS-4	■	-	235	5
				QS-6	■	-	560	
	<b>Bulkhead fitting, push-in connector at both ends</b>							
		QHS	QS-6	QS-6	■	-	528	5
	<b>Female thread at both ends</b>							
		QH	G1/4	G1/4	■	-	3400	7
			G3/8	G3/8			7500	
			G1/2	G1/2			11500	
			G3/4	G3/4			21000	
G1			G1	33000				
G1 1/2			G1 1/2	84000				

## Type codes

001	Series
QH	Ball valve

002	Design type
	Standard
S	Short




003	Pneumatic connection 1
QS-4	Push-in connector 4 mm
QS-6	Push-in connector 6 mm

004	Pneumatic connection 2
	Same size push-in connector as pneumatic connection 1
1/8	Male thread R1/8

Data sheet



-  - Standard nominal flow rate  
148 ... 560 l/min
-  - Temperature range  
0 ... +60°C
-  - Operating pressure  
-0.1 ... 1 MPa



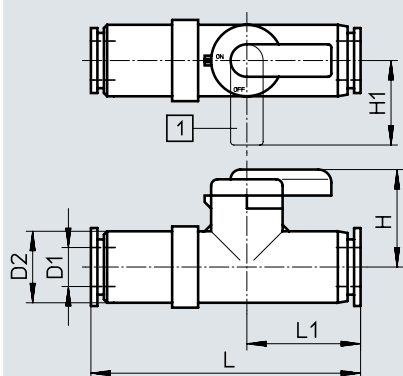
General technical data					
Type	QH			QHS, bulkhead fitting	
Pneumatic connection 1	QS-4	QS-6	R1/8	QS-6	
Pneumatic connection 2	QS-4	QS-6	QS-4	QS-6	QS-6
Nominal width [mm]	2.5	4	2.5	2.5	4
Design	Ball valve				
Type of mounting	In-line installation		Screw-in		With lock nut
Mounting position	Any				
Valve function	2/2-way bistable valve				
Actuation type	Manual				
Sealing principle	Soft				

Operating and environmental conditions		
Operating pressure	[MPa]	-0.1 ... 1
	[bar]	-1 ... 10
Operating medium	Compressed air to ISO 8573-1:2010 [7:-:-]	
Note on operating/pilot medium	Lubricated operation possible (in which case lubricated operation will always be required)	
PWIS conformity	VDMA24364-B1/B2-L	
Ambient temperature [°C]	0 ... +60	

Materials	
Housing	PBT
Note on materials	RoHS-compliant

Dimensions – Push-in connector, both ends

Download CAD data → [www.festo.com](http://www.festo.com)

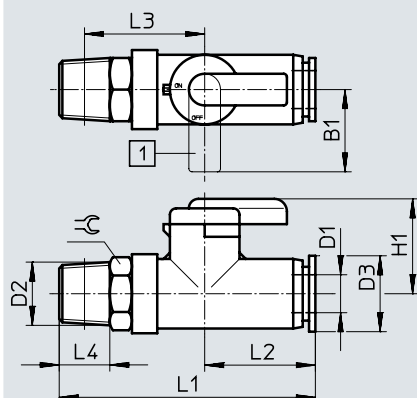


[1] Closed position

Type	D1 ∅	D2 ∅	H	H1	L	L1
QH-QS-4	4	11	15	13	38	17
QH-QS-6	6				41.5	17.5

## Data sheet

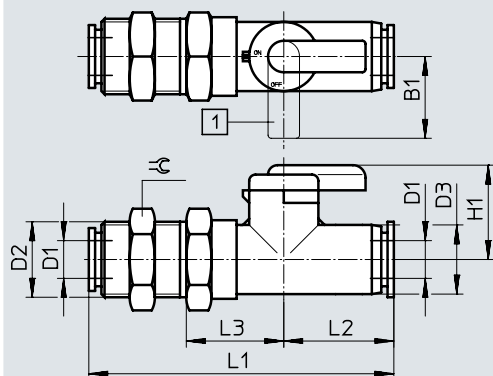
## Dimensions – Male thread/push-in connector

Download CAD data → [www.festo.com](http://www.festo.com)

[1] Closed position

Type	B1	D1 ∅	D2	D3 ∅	H1	L1	L2	L3	L4	⊕
QH-QS-4-1/8	13	4	R1/8	11	15	41.5	17	20	8	10
QH-QS-6-1/8		6				42	17.5			

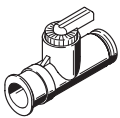
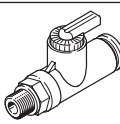
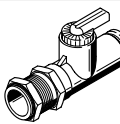
## Dimensions – Bulkhead fitting, push-in connector at both ends

Download CAD data → [www.festo.com](http://www.festo.com)

[1] Closed position



Type	B1	D1 ∅	D2	D3 ∅	H1	L1	L2	L3	⊕
QHS-QS-6	13	6	M12x1	11	15	48.5	17.5	15.5	14

## Ordering data

Design	Pneumatic connection	Standard nominal flow rate qnN [l/min]	Weight [g]	Part no.	Type	
						1
 2/2-way valve Push-in connector at both ends	QS-4	QS-4	148	12	153483	QH-QS-4
	QS-6	QS-6	533	12.5	153484	QH-QS-6
 Male thread/push-in connector	QS-4	R1/8	235	14	153486	QH-QS-4-1/8
	QS-6		560	15	153487	QH-QS-6-1/8
 Bulkhead fitting, push-in connector at both ends	QS-6	QS-6	528	16.5	153485	QHS-QS-6


Data sheet – With hand lever



-  - Standard nominal flow rate  
3400 ... 84000 l/min
-  - Temperature range  
-20 ... +180°C




General technical data						
Pneumatic connection 1	G1/4	G3/8	G1/2	G3/4	G1	G1 1/2
Pneumatic connection 2	G1/4	G3/8	G1/2	G3/4	G1	G1 1/2
Nominal width [mm]	10	10	15	20	25	40
Design	Ball valve					
Type of mounting	In-line installation					
Mounting position	Any					
Valve function	2/2-way bistable valve					
Actuation type	Manual					
Sealing principle	Soft					

-  - **Note**  
This product conforms to ISO 1179-1 and ISO 228-1.

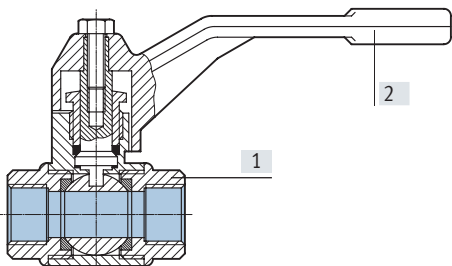
Operating and environmental conditions	
Operating medium	Compressed air to ISO 8573-1:2010 [7:-:-] Water <sup>1)</sup>
Note on operating/pilot medium	Lubricated operation possible (in which case lubricated operation will always be required)
Ambient temperature [°C]	-20 ... +180

1) Other media on request.

-  - **Note**  
Not permitted for toxic gases such as natural gas, mains gas etc.

**Materials**

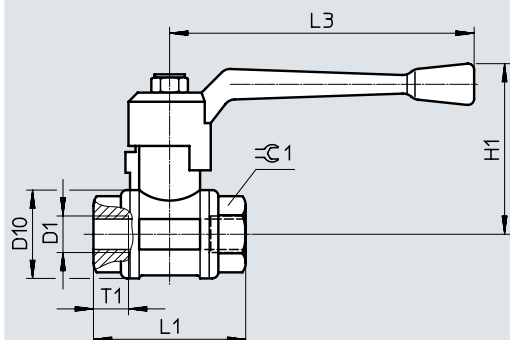
Sectional view



Ball valve		
[1]	Housing	Brass
[2]	Lever	Aluminium

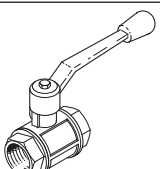
## Data sheet – With hand lever


## Dimensions – Female thread at both ends

Download CAD data → [www.festo.com](http://www.festo.com)

Type	D1	D10 ø	H1	L1	L3	T1	☩1
QH-1/4	G1/4	30	56	52	100	11.5	21.5
QH-3/8	G3/8	30	56	52	100	11.5	21.5
QH-1/2	G1/2	35	59	64	100	15	27
QH-3/4	G3/4	44	72	74	120	16.3	32
QH-1	G1	51	77	88	120	19.1	41
QH-1 1/2	G1 1/2	73	100	105.5	150	21.4	55

## Ordering data

Design	Pneumatic connection		Standard nominal flow rate qnN [l/min]	Weight [g]	Part no.	Type	
	1	2					
<b>2/2-way valve</b>							
	Female thread at both ends	G1/4	G1/4	3400	175	<b>9541</b>	<b>QH-1/4</b>
		G3/8	G3/8	7500	180	<b>9542</b>	<b>QH-3/8</b>
		G1/2	G1/2	11500	340	<b>9543</b>	<b>QH-1/2</b>
		G3/4	G3/4	21000	590	<b>9544</b>	<b>QH-3/4</b>
		G1	G1	33000	815	<b>9545</b>	<b>QH-1</b>
		G1 1/2	G1 1/2	84000	1750	<b>6837</b>	<b>QH-1 1/2</b>


**Note**

This product conforms to ISO 1179-1 and ISO 228-1.

# Festo - Your Partner in Automation



**1 Festo Inc.**  
5300 Explorer Drive  
Mississauga, ON L4W 5G4  
Canada

**Festo Customer Interaction Center**  
Tel: 1 877 463 3786  
Fax: 1 877 393 3786  
Email: [customer.service.ca@festo.com](mailto:customer.service.ca@festo.com)



**2 Festo Pneumatic**  
Av. Ceylán 3,  
Col. Tequesquináhuac  
54020 Tlalnepantla,  
Estado de México

**Multinational Contact Center**  
01 800 337 8669  
[ventas.mexico@festo.com](mailto:ventas.mexico@festo.com)



**3 Festo Corporation**  
1377 Motor Parkway  
Suite 310  
Islandia, NY 11749

**Festo Customer Interaction Center**  
1 800 993 3786  
1 800 963 3786  
[customer.service.us@festo.com](mailto:customer.service.us@festo.com)



**4 Regional Service Center**  
7777 Columbia Road  
Mason, OH 45040

Connect with us



[www.festo.com/socialmedia](http://www.festo.com/socialmedia)



[www.festo.com](http://www.festo.com)

Subject to change