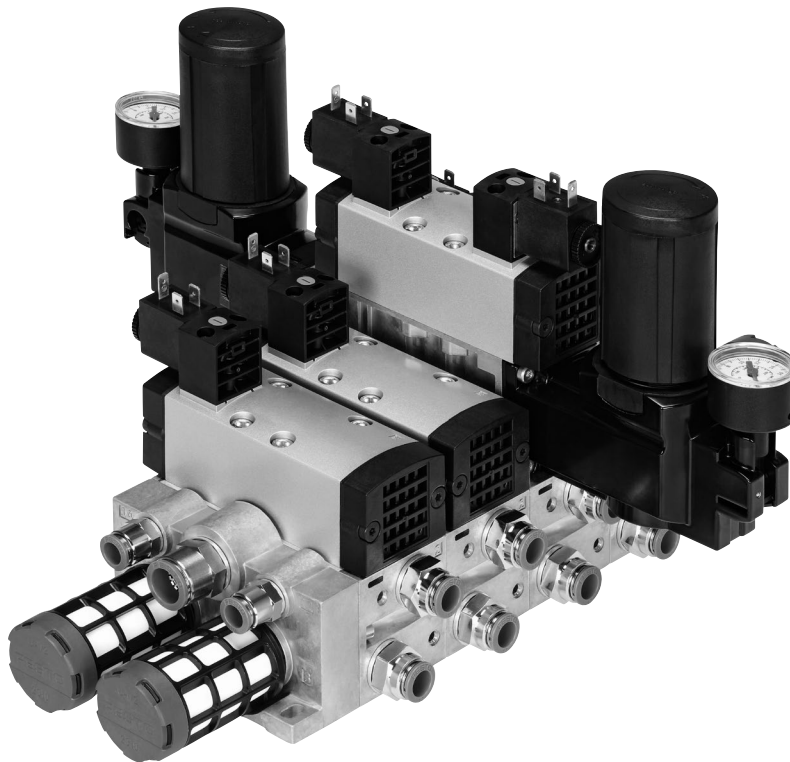


Standards-based valves, to ISO 5599-1

**FESTO**



## Key features



### Innovative

- High-performance valves in a sturdy metal housing
- Individual electrical connection via square plug sockets or centrally for each valve via round plug sockets
- Valve replacement under pressure possible using vertical pressure shut-off plate
- Reverse operation
- Vacuum operation

### Flexible

- Modular system offering a range of configuration options
- Conversions and extensions are possible at any time
- Integration of innovative function modules possible
  - Pressure regulator plate
  - Throttle plate
  - Vertical pressure shut-off plate
  - Vertical supply plate
- Vertical supply plates permit a flexible air supply and variable pressure zones
- Wide range of valve functions
- Extensive operating voltage range from 12 V DC to 230 V AC

### Reliable

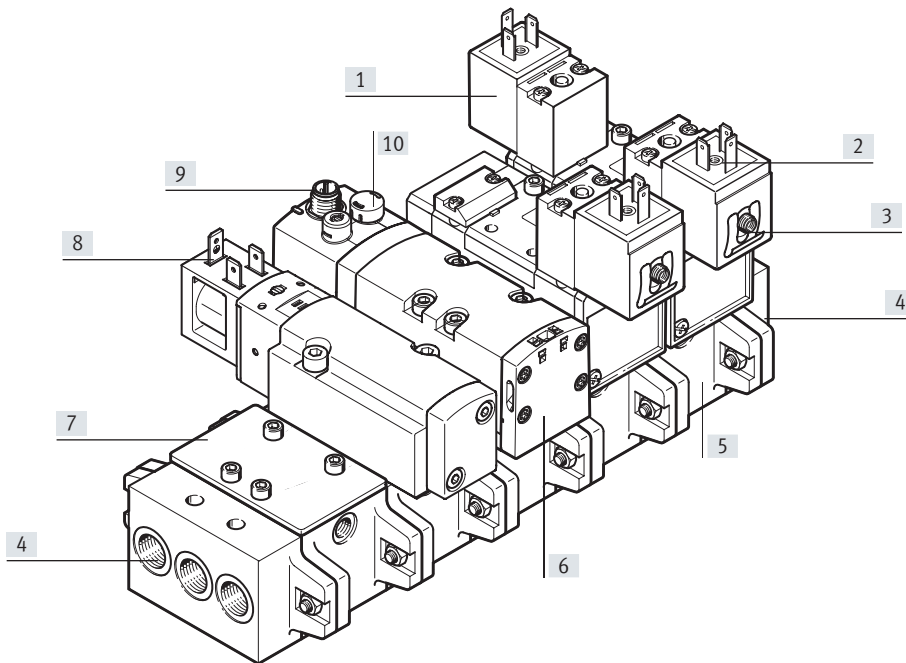
- Sturdy and durable metal components
  - Valves
  - Horizontally linked sub-bases
  - Vertically stacked sub-bases
- Fast troubleshooting thanks to LED in the plug socket or illuminating seal
- LED integrated in the valve with the round plug variant
- Reliable servicing thanks to valves that can be replaced quickly and easily
- Manual override
- Durable thanks to tried-and-tested piston spool valves

### Easy to install

- Plug-in pressure gauges on the pressure regulator plate

## Key features

## Simple valve manifold assembly



- [1] Pilot valve with port pattern to ISO 15218
- [2] Various voltages
- [3] Armature tube for plug-on solenoid coils
- [4] End plate
- [5] Manifold sub-base
- [6] Various valve functions
- [7] Cover plate for vacant/expansion position
- [8] Electrical connection type B to industry standard (11 mm)
- [9] 3-pin round plug
- [10] Manual override

## Equipment options

## 2x 2/2-way valve, single solenoid

- Normally closed
- Normally closed, vacuum operation possible at port 3 and 5

## Operation with external pilot air supply

- For vacuum applications
- For working pressures lower than 3 bar
- For significant pressure fluctuations in the power section. Power unit and pneumatic control unit are isolated
- For heavily lubricated air in the power section
- For manifolds where the pressure zones are created via ducts 3 and 5 (not possible with 2x 3/2-way valves)
- For manifolds or pressure zones that are equipped with reversible 2x 3/2-way valves (valves on request)

## 2x 3/2-way valve, single solenoid

- Normally open
- normally closed
- 1x normally open, 1x normally closed
- Reverse operation possible

## Operation with internal pilot air supply

- For small pressure fluctuations in the power section
- For using pressure regulator plates in a vertical stacking construction, also in reverse operation
- As a low-cost solution

## 5/2-way valve

- Single solenoid, mechanical or pneumatic spring return
- Double solenoid
- Double solenoid, with dominant signal at port 14

## Reverse operation with compressed air supply via ducts 3 and 5

- Pressure zone separation via ducts 3 and 5
  - Example: duct 3 vacuum, duct 5 ejector pulse
  - Example: duct 3 high pressure for advancing the piston rod of a double-acting cylinder. Duct 5 low pressure for retracting the piston rod with low energy consumption
- 2x 3/2-way valves used as 5/4-way valve with controllable overlap and pressure zone separation with the reversible variant

## 5/3-way valve

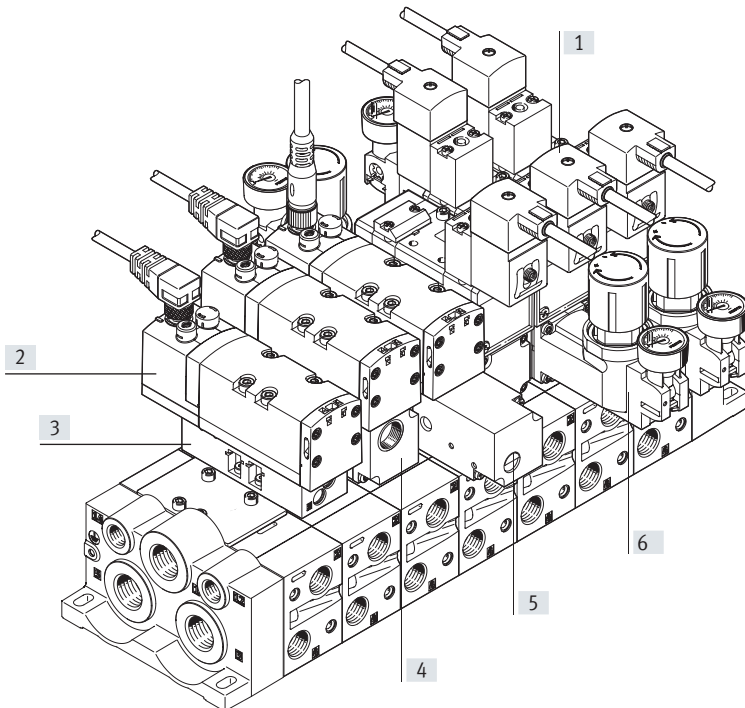
- Mid-position pressurised
- Mid-position closed
- Mid-position exhausted

## Reverse operation with a pressure regulator plate, compressed air supply via duct 1

- Reversible pressure regulator combined with a reversible 2x 3/2-way valve regulates outputs 2 and 4
  - AB regulator for each of outputs 2 and 4
  - A regulator for output 4
  - B regulator for output 2
- Reversible pressure regulators are in the control position immediately after the power supply is switched on
  - Adjustment possible at all times
  - Dynamic response characteristics
  - Reduced regulator load because the supply pressure is maintained when the valve is switched
  - Not exhausted via the regulator

## Key features

### Valve manifold assembly with vertical stacking



- [1] Solenoid valve with individual pilot valves and port pattern to ISO 15218, can be connected using square plug sockets
- [2] Solenoid valve with central round plug
- [3] Throttle plate for adjusting the speed of the drive
- [4] Vertical supply plate as separate compressed air supply for a valve
- [5] Vertical pressure shut-off plate for replacing solenoid valves during operation
- [6] Pressure regulator for adjusting the force of the actuated drive

### Vertical stacking function

#### Pressure regulator

- Single variant to regulate the pressure in duct 4 or 2 or 1 at the valve
- Dual variant to regulate the pressure in ducts 4 and 2 individually
- As reversible version with ducts 1 and 3/5 swapped internally
- With pressure gauge connection

#### Throttle plate

- Designed with two throttle valves, at which the exhaust air flow rate at ducts 5 or 3 can be adjusted.
- The movement of the drive is initiated and the required speed is set via the throttle plate using the manual override on the valve.

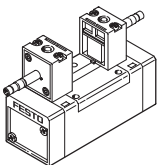
#### Vertical pressure shut-off plate

- Equipped with a switch via which the compressed air supply can be shut off. As a result, components mounted on the vertical pressure shut-off plate (e.g. a valve) can be replaced without switching off the overall air supply.
- If the control chain has a redundant connection, the cycle can continue even in the case of a cyclical control system.

#### Vertical supply plate

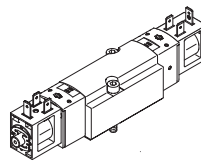
- As additional air supply for a valve
- Separates the valve from duct 1 of the manifold sub-base
- To supply an additional pressure zone

### Valves with solenoid coil MSN1/MSF



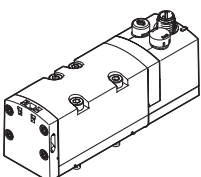
The directional control valve has a pilot control to ISO 15218. The solenoid coil plugged onto the armature tube can be chosen in different designs and operating voltages.

### Valves with square plug type B to industry standard



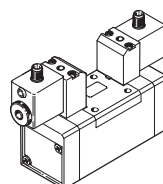
The electrical connection is established via a standardised plug with plug pattern type B, industry standard, 24 V DC.

### Valves with central plug M12



The electrical connection is established via a standardised M12 plug, 24 V DC (EN 61076-2-101).

### Valves with individual plug M12x1

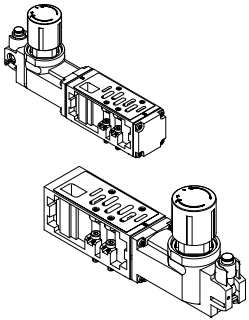


The electrical connection is established via a standardised M12 plug, 24 V DC (2-pin or 4-pin to VDMA).



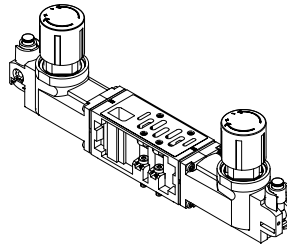
## Key features

## Pressure regulator with one regulated duct



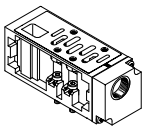
- For pressure regulation at the supply input duct 1. The set pressure is identical for ducts 2 and 4
- For pressure regulation at working port 4
  - The pressure regulator for reverse operation is supplied via duct 1 of the manifold sub-base and supplies duct 5 on the valve
  - The valve is exhausted via duct 1 to ducts 3 and 5 of the manifold sub-base
- For pressure regulation at working port 2
  - In reverse operation duct 3 is supplied

## Pressure regulator with 2 regulated ducts



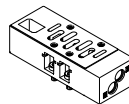
- For pressure regulation at working ports 4 and 2
- The pressure regulators for reverse operation are supplied via duct 1 of the manifold sub-base and supply ducts 5 and 3 on the valve
- The directional control valve is exhausted via duct 1 to ducts 3 and 5 of the manifold sub-base.

## Vertical supply plate



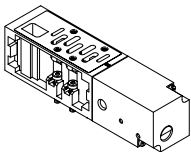
- As intermediate supply
  - For one valve
  - To supply an additional pressure zone
- Can be equipped with a valve

## Throttle plate



- Exhaust air flow control valves in ducts 3 and 5
- The throttle plates act as supply-air flow control for pressure zones that are created via ducts 3 and 5

## Vertical pressure shut-off plate



- A switch activated with a slotted screwdriver shuts off duct 1:
- The throttle plates, pressure regulators or valves positioned above it can be replaced
  - Other components of the control chain such as drives, for example, can be replaced once the valve has been exhausted

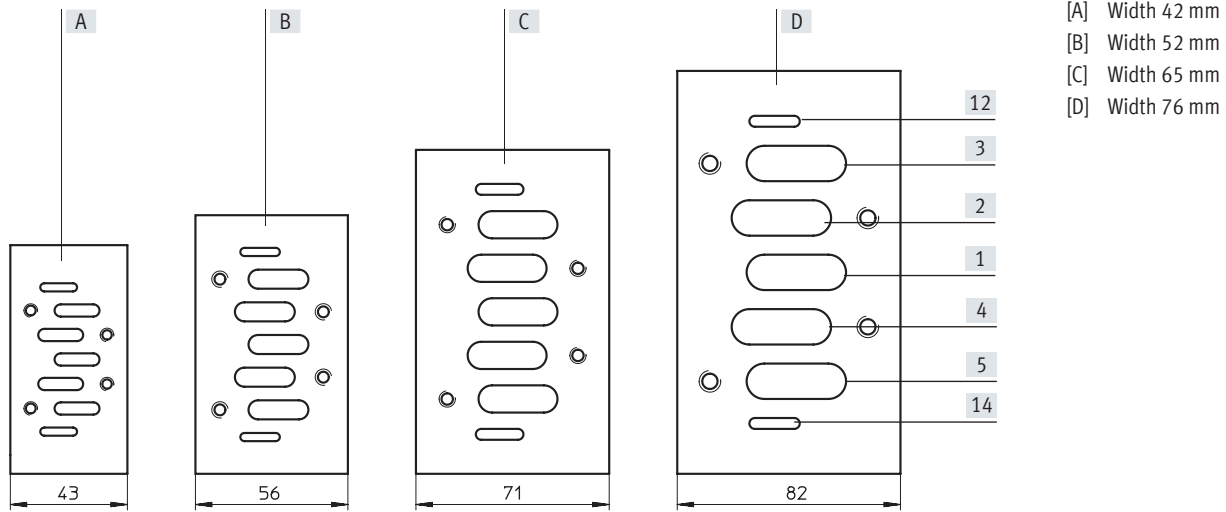
## Pressure gauge



Plugs into the pressure regulators

## Key features

### Port pattern on sub-base to ISO 5599-1



#### Sub-base port identifications

Duct	Function	Description
[14]	Control unit	Pilot air supply for pilot valves 12 and 14
[5]	Power unit	Exhaust port
[4]	Power unit	Working port
[1]	Power unit	Working air supply port
[2]	Power unit	Working port
[3]	Power unit	Exhaust port
[12]	Control unit	Exhaust port for pilot air supply

## Key features

### Pilot air supply

The pneumatic supply ports are located on the right and left end plates and on the supply plates.

The ports differ for the following types of pilot air supply:

- Internal pilot air supply
- External pilot air supply

The port for the external pilot air supply is on the right and left end plates. Internal pilot air supply takes place in the valve itself and the ports for pilot air supply are not provided on the end plates.

### Note

If a gradual pressure build-up is required in the system by using a soft-start valve, then external pilot air should be selected whereby the pilot pressure is already applied at the point of switch-on.

### Internal pilot air supply

Internal pilot air supply can be selected if the working pressure is between 2 and 10 bar, 3 and 10 bar, 2 and 16 bar or 3 and 16 bar, depending on the valve.

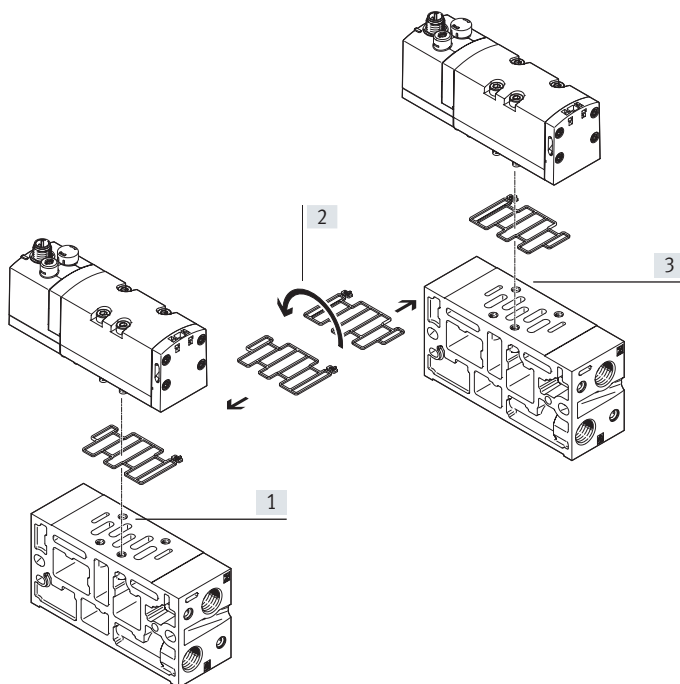
In this case the pilot air supply is branched from the compressed air supply 1 using an internal connection in the valve.

### External pilot air supply

If the supply pressure is less than 2 or 3 bar, you must operate your valve manifold assembly VSVA using external pilot air supply.

The pilot air supply is then supplied via ports 12 and 14 on the end plates.

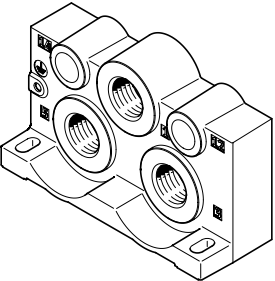
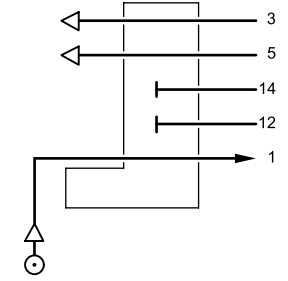
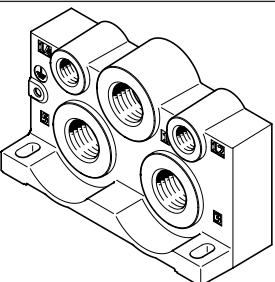
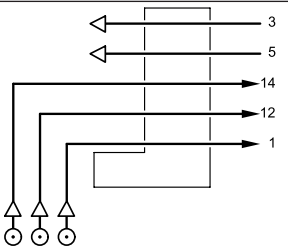
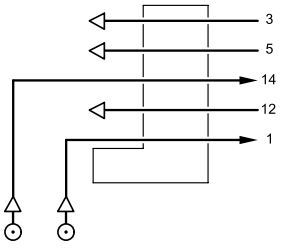
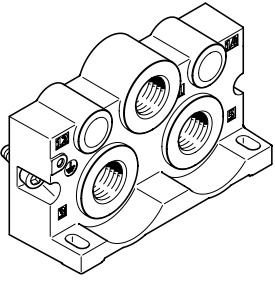
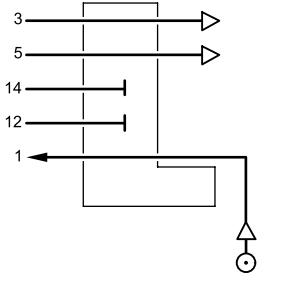
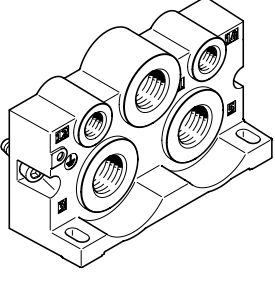
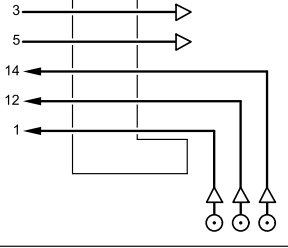
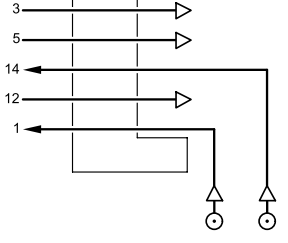
### Using the seals with ducted/unducted pilot exhaust air



- [1] Ducted pilot air exhaust
- [2] Turning the seal 180°
- [3] Unducted pilot air exhaust (as supplied)

Valve manifold assemblies VSVA are delivered with unducted pilot air exhaust. By turning the seal between the valve and manifold block, exhaust air (pilot air) can be diverted into pilot duct 12 and can thus be ducted and silenced (see illustration).

## Key features

Pilot air supply via end plates		Description
<b>Left end plate (graphical illustration)</b>		
		<p>Internal pilot air supply</p> <ul style="list-style-type: none"> <li>• Pilot air supply is branched within the valve from port 1</li> <li>• Port 12 is not available</li> <li>• Port 14 is not available</li> <li>• Exhaust air via ports 3 and 5</li> <li>• Pilot exhaust air via port 12</li> </ul>
		<p>External pilot air supply</p> <ul style="list-style-type: none"> <li>• Pilot air supply via ports 12 and 14</li> <li>• Exhaust air via ports 3 and 5</li> <li>• Unducted pilot exhaust air</li> </ul>
		<p>External pilot air supply, ducted pilot exhaust air</p> <ul style="list-style-type: none"> <li>• Pilot air supply via port 14</li> <li>• Exhaust air via ports 3 and 5</li> <li>• Pilot exhaust air via port 12</li> <li>• For valves with central plug M12, 3-pin</li> </ul>
<b>Right end plate (graphical representation)</b>		
		<p>Internal pilot air supply</p> <ul style="list-style-type: none"> <li>• Pilot air supply is branched within the valve from port 1</li> <li>• Port 12 is not available</li> <li>• Port 14 is not available</li> <li>• Exhaust air via ports 3 and 5</li> <li>• Pilot exhaust air via port 12</li> </ul>
		<p>External pilot air supply</p> <ul style="list-style-type: none"> <li>• Pilot air supply via ports 12 and 14</li> <li>• Exhaust air via ports 3 and 5</li> <li>• Unducted pilot exhaust air</li> </ul>
		<p>External pilot air supply, ducted pilot exhaust air</p> <ul style="list-style-type: none"> <li>• Pilot air supply via port 14</li> <li>• Exhaust air via ports 3 and 5</li> <li>• Pilot exhaust air via port 12</li> <li>• For valves with central plug M12, 3-pin</li> </ul>

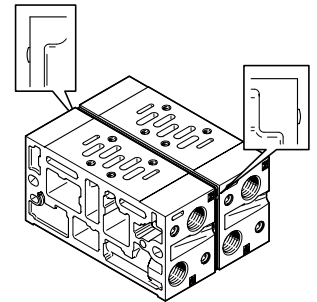
## Key features

## Creating pressure zones and separating exhaust air

The valve manifold assembly VSVA offers a number of options for creating pressure zones if different working pressures are required. Pressure zones are created by isolating the internal supply ducts between the manifold sub-bases by appropriate duct separation.

Compressed air is supplied and exhausted via the end plates and supply plates. The position of the supply plates and duct separations can be freely selected.

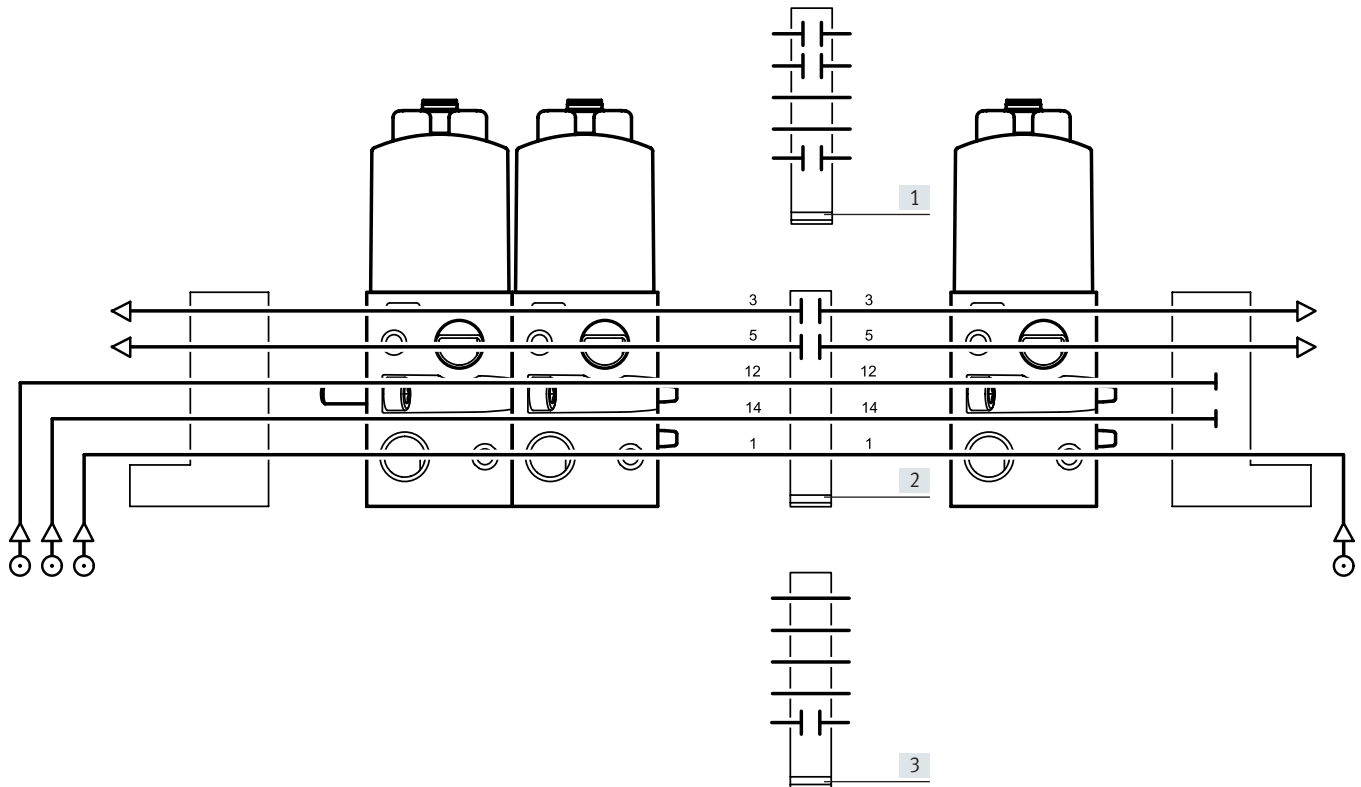
Duct separations are integrated exhausts as per your order. Duct separations can be distinguished by their coding, even when the valve manifold assembly is assembled.



Creating pressure zones				Description
Separating seal				
Coding	Sample image	Coding	Basic representation	
			3 ——— 5 ——— 12 ——— 14 ——— 1 ———	Duct 1 separate <ul style="list-style-type: none"> <li>• Different supply pressure for each pressure zone</li> <li>• Supply pressure for each pressure zone can be switched off separately</li> </ul>
			3 ——— 5 ——— 12 ——— 14 ——— 1 ———	Ducts 3 and 5 separated <ul style="list-style-type: none"> <li>• The valves (for different pressure zones) do not affect each other via the exhaust ducts</li> </ul>
			3 ——— 5 ——— 12 ——— 14 ——— 1 ———	Ducts 12 and 14 separated <ul style="list-style-type: none"> <li>• Different pilot pressure for each supply zone</li> <li>• Operation with internal and external pilot air supply possible according to pressure zone</li> <li>• Pilot pressure for each pressure zone can be switched off separately</li> </ul>
			3 ——— 5 ——— 12 ——— 14 ——— 1 ———	Ducts 1, 3 and 5 separated <ul style="list-style-type: none"> <li>• Different supply pressure for each pressure zone</li> <li>• The valves (for different pressure zones) do not affect each other via the exhaust ducts</li> <li>• Supply pressure for each pressure zone can be switched off separately</li> </ul>
			3 ——— 5 ——— 12 ——— 14 ——— 1 ———	Ducts 1, 3, 5, 12 and 14 separated <ul style="list-style-type: none"> <li>• Different supply pressure for each pressure zone</li> <li>• Supply pressure for each pressure zone can be switched off separately</li> <li>• The valves (for different pressure zones) do not affect each other via the exhaust ducts</li> <li>• Different pilot pressure for each supply zone</li> <li>• Operation with internal and external pilot air supply possible according to pressure zone</li> <li>• Pilot pressure for each pressure zone can be switched off separately</li> </ul>

## Key features

### Examples: Creating pressure zones



[1] Pressure zone separation in ducts 1, 3 and 5. Pressure supply and exhausting via the respective end plate for each of the two pressure zones. Pilot air is supplied jointly via the left end plate.

[2] Pressure zone separation in ducts 3 and 5. The pressure for both pressure zones is supplied jointly via the end plates. Each of the two pressure zones is exhausted separately via the respective end plate. Pilot air is supplied jointly via the left end plate.

[3] Pressure zone separation in duct 1. Pressure supply via the respective end plate for each of the two pressure zones. Both pressure zones are exhausted jointly via the end plates. Pilot air supplied jointly via the left end plate.

Potential benefit:

- Two different supply pressures
- The valves do not affect each other via the exhaust ducts

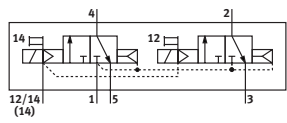
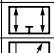
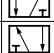
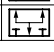
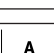
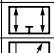
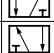
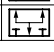
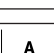
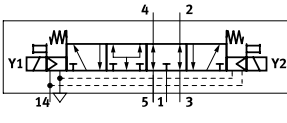
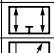
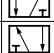
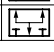
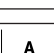
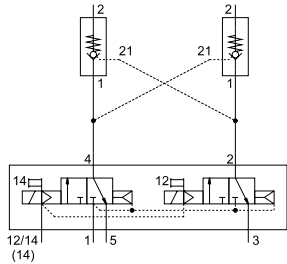


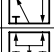
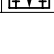


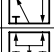
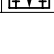
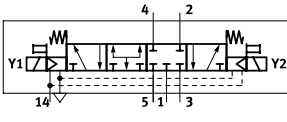


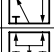
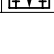
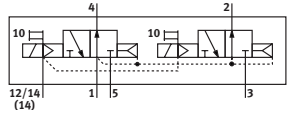
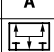

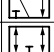
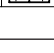
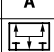

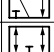
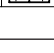
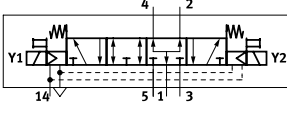
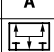

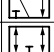
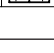
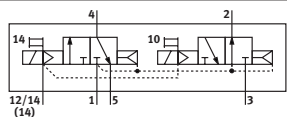
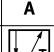
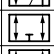
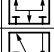

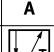
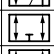
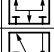

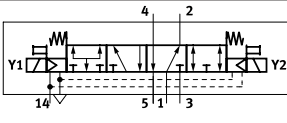
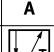
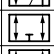
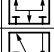

Potential benefit:

- The valves do not affect each other via the exhaust ducts

Potential benefit:

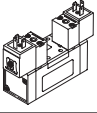
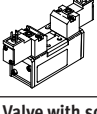
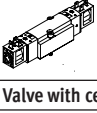
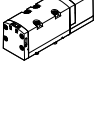
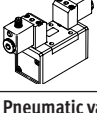
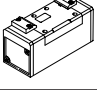
- Two different supply pressures

## Key features

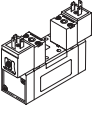
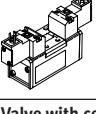
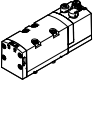
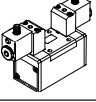
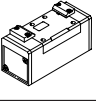
Use of 2x 3/2-way valve as 5/4-way valve																			
Code	Symbol	Table of values	Equivalent circuit symbol	Function															
K		<table border="1"> <thead> <tr> <th>Y1</th> <th>Y2</th> <th>A</th> </tr> </thead> <tbody> <tr> <td>0</td> <td>0</td> <td></td> </tr> <tr> <td>0</td> <td>1</td> <td></td> </tr> <tr> <td>1</td> <td>0</td> <td></td> </tr> <tr> <td>1</td> <td>1</td> <td></td> </tr> </tbody> </table>	Y1	Y2	A	0	0		0	1		1	0		1	1			<ul style="list-style-type: none"> <li>• Normally exhausted</li> <li>• The double-acting drive connected to ducts 2 and 4 is unpressurised when the valve is in the normal position and can be moved by an external force</li> <li>• If there is a signal at Y1(14) and Y2(12), there is pressure at ducts 2 and 4</li> </ul>
Y1	Y2	A																	
0	0																		
0	1																		
1	0																		
1	1																		
		<table border="1"> <thead> <tr> <th>Y1</th> <th>Y2</th> <th>A</th> </tr> </thead> <tbody> <tr> <td>0</td> <td>0</td> <td></td> </tr> <tr> <td>0</td> <td>1</td> <td></td> </tr> <tr> <td>1</td> <td>0</td> <td></td> </tr> <tr> <td>1</td> <td>1</td> <td></td> </tr> </tbody> </table>	Y1	Y2	A	0	0		0	1		1	0		1	1			<ul style="list-style-type: none"> <li>• Normally closed (by combining valve code K and two piloted check valves)</li> <li>• The piloted check valves connected to ducts 2 and 4 are unpressurised when the valve is in the normal position and the pressures in the drive close the check valves leak-tight</li> <li>• The drive remains stationary when the forces are in equilibrium</li> <li>• Leakages can only occur via the drive seals</li> <li>• If there is a signal at Y1(14) and Y2(12), the pressure at ducts 2 and 4 is the same</li> </ul>
Y1	Y2	A																	
0	0																		
0	1																		
1	0																		
1	1																		
N		<table border="1"> <thead> <tr> <th>Y1</th> <th>Y2</th> <th>A</th> </tr> </thead> <tbody> <tr> <td>0</td> <td>0</td> <td></td> </tr> <tr> <td>0</td> <td>1</td> <td></td> </tr> <tr> <td>1</td> <td>0</td> <td></td> </tr> <tr> <td>1</td> <td>1</td> <td></td> </tr> </tbody> </table>	Y1	Y2	A	0	0		0	1		1	0		1	1			<ul style="list-style-type: none"> <li>• Normally open</li> <li>• The double-acting drive connected to ducts 2 and 4 is supplied with the same pressure at both ends when the valve is in the normal position and remains stationary when the forces are balanced</li> <li>• If there is a signal at Y1(10) and Y2(10), ducts 2 and 4 are exhausted, the drive is unpressurised and can be moved by an external force</li> </ul>
Y1	Y2	A																	
0	0																		
0	1																		
1	0																		
1	1																		
H		<table border="1"> <thead> <tr> <th>Y1</th> <th>Y2</th> <th>A</th> </tr> </thead> <tbody> <tr> <td>0</td> <td>0</td> <td></td> </tr> <tr> <td>0</td> <td>1</td> <td></td> </tr> <tr> <td>1</td> <td>0</td> <td></td> </tr> <tr> <td>1</td> <td>1</td> <td></td> </tr> </tbody> </table>	Y1	Y2	A	0	0		0	1		1	0		1	1			<ul style="list-style-type: none"> <li>• Normally open to duct 2</li> <li>• The double-acting drive connected to ducts 2 and 4 is supplied with pressure via duct 2 when the valve is in the normal position. Duct 4 is exhausted. When the system is in its initial position, the drive is thus in a clearly defined position, as would also be the case with a 5/2-way single solenoid valve</li> <li>• If there is a signal at Y1(14) and Y2(10), duct 2 is exhausted and there is pressure at duct 4. The drive leaves the initial position</li> <li>• A closed circuit can be created with this 2x 3/2-way valve by combining it with piloted check valves. However, this is then selected by an active signal at Y2(10).</li> </ul>
Y1	Y2	A																	
0	0																		
0	1																		
1	0																		
1	1																		



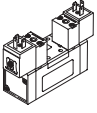
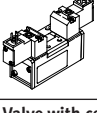
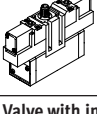
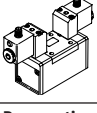
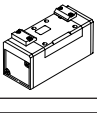
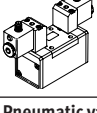
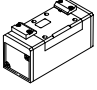
## Product range overview

Function	Type	Valve function	Flow rate Valve [l/min]	Operating voltage	→ Page/ Internet	
Width 42 mm Working port G1/4	<b>Valve with armature tube for solenoid coil MSN</b>					
		MN1H-5/2	5/2-way single solenoid valve	1200	12 V DC, 24 V DC, 24 V AC, 110 V AC, 230 V AC	26
		JMN1	5/2-way double solenoid valve	1200		
		MN1H-5/3	5/3-way solenoid valve, mid-position valve	1200		
	<b>Valve with armature tube for solenoid coil MSF</b>					
		MFH-5/2	5/2-way single solenoid valve	1200	12 V DC, 24 V DC, 42 V DC, 24 V AC, 42 V AC, 48 V AC, 110 V AC, 120 V AC, 230 V AC, 240 V AC	38
		JMF	5/2-way double solenoid valve	1200		
		MFH-5/3	5/3-way solenoid valve, mid-position valve	1200		
	<b>Valve with square plug type B to industry standard</b>					
		VSVA-B-M52...A1	5/2-way valve, single solenoid	1342	24 V DC	50
		VSVA-B-B52...A1	5/2-way valve, double-solenoid	1341		
		VSVA-B-P53...A1	5/3-way valve, mid-position valve	1289		
	<b>Valve with central plug M12, 3-pin</b>					
		VSVA-B-T22	2x 2/2-way single solenoid valve	1300	24 V DC	54
		VSVA-B-T32	2x 3/2-way single solenoid valve	1100		
		VSVA-B-M52	5/2-way single solenoid valve	1300		
		VSVA-B-B52	5/2-way double solenoid valve	1300		
		VSVA-B-D52	5/2-way double solenoid valve	1300		
		VSVA-B-P53	5/3-way solenoid valve, mid-position valve	1300		
	<b>Valve with individual plug M12</b>					
		MDH-5/2	5/2-way single solenoid valve	1200	24 V DC, 42 V AC, 110 V AC, 230 V AC	68
		JMD	5/2-way double solenoid valve	1200		
		MDH-5/3	5/3-way solenoid valve, mid-position valve	1200		
	<b>Pneumatic valve</b>					
		VL-5/2	5/2-way pneumatic valve, monostable	1200	–	87
		J	5/2-way pneumatic valve, bistable	1200		
		VL-5/3	5/3-way pneumatic valve, mid-position valve	1200		

## Product range overview

Function	Type	Valve function	Flow rate Valve [l/min]	Operating voltage	→ Page/ Internet	
Width 52 mm Working port G3/8	<b>Valve with armature tube for solenoid coil MSN</b>					
		MN1H-5/2	5/2-way single solenoid valve	2300	12 V DC, 24 V DC, 24 V AC, 110 V AC, 230 V AC	30
		JMN1	5/2-way double solenoid valve	2300		
		MN1H-5/3	5/3-way solenoid valve, mid-position valve	2300		
	<b>Valve with armature tube for solenoid coil MSF</b>					
		MFH-5/2	5/2-way single solenoid valve	2300	12 V DC, 24 V DC, 42 V DC, 24 V AC, 42 V AC, 48 V AC, 110 V AC, 120 V AC, 230 V AC, 240 V AC	42
		JMF	5/2-way double solenoid valve	2300		
		MFH-5/3	5/3-way solenoid valve, mid-position valve	2300		
	<b>Valve with central plug M12, 3-pin</b>					
		VSVA-B-T22	2x 2/2-way single solenoid valve	2800	24 V DC	59
		VSVA-B-T32	2x 3/2-way single solenoid valve	2200		
		VSVA-B-M52	5/2-way single solenoid valve	2800		
		VSVA-B-B52	5/2-way double solenoid valve	2800		
		VSVA-B-D52	5/2-way double solenoid valve	2800		
		VSVA-B-P53	5/3-way solenoid valve, mid-position valve	2700		
	<b>Valve with individual plug M12</b>					
		MDH-5/2	5/2-way single solenoid valve	2300	24 V DC, 42 V AC, 110 V AC, 230 V AC	72
		JMD	5/2-way double solenoid valve	2300		
		MDH-5/3	5/3-way solenoid valve, mid-position valve	2300		
	<b>Pneumatic valve</b>					
		VL-5/2	5/2-way pneumatic valve, monostable	2300	–	92
		J	5/2-way pneumatic valve, bistable	2300		
		VL-5/3	5/3-way pneumatic valve, mid-position valve	2300		

Product range overview

Function	Type	Valve function	Flow rate Valve [l/min]	Operating voltage	→ Page/ Internet	
Width 65 mm  Working port G1/2	<b>Valve with armature tube for solenoid coil MSN</b>					
		MN1H-5/2	5/2-way single solenoid valve	4500	12 V DC, 24 V DC, 24 V AC, 110 V AC, 230 V AC	34
		JMN1	5/2-way double solenoid valve	4500		
		MN1H-5/3	5/3-way solenoid valve, mid-position valve	4000		
	<b>Valve with armature tube for solenoid coil MSF</b>					
		MFH-5/2	5/2-way single solenoid valve	4500	12 V DC, 24 V DC, 42 V DC, 24 V AC, 42 V AC, 48 V AC, 110 V AC, 120 V AC, 230 V AC, 240 V AC	46
		JMF	5/2-way double solenoid valve	4500		
		MFH-5/3	5/3-way solenoid valve, mid-position valve	4000		
	<b>Valve with central plug M12, 4-pin</b>					
		MEBH-5/2	5/2-way single solenoid valve	4500	24 V DC	64
		JMEB	5/2-way double solenoid valve	4500		
		MEBH-5/3	5/3-way solenoid valve, mid-position valve	4000		
	<b>Valve with individual plug M12</b>					
		MDH-5/2	5/2-way single solenoid valve	4500	24 V DC, 42 V AC, 110 V AC, 230 V AC	76
		JMD	5/2-way double solenoid valve	4500		
		MDH-5/3	5/3-way solenoid valve, mid-position valve	4000		
	<b>Pneumatic valve</b>					
		VL-5/2	5/2-way pneumatic valve, monostable	4500	–	97
J		5/2-way pneumatic valve, bistable	4500			
VL-5/3		5/3-way pneumatic valve, mid-position valve	4100			
Width 76 mm  Working port G3/4	<b>Valve with individual plug M12</b>					
		MDH-5/2	5/2-way single solenoid valve	6000	24 V DC, 42 V AC, 110 V AC, 230 V AC	80
		JMD	5/2-way double solenoid valve	6000		
		MDH-5/3	5/3-way solenoid valve, mid-position valve	4800		
	<b>Pneumatic valve</b>					
		VL-5/2	5/2-way pneumatic valve, monostable	6000	–	101
		J	5/2-way pneumatic valve, bistable	6000		
VL-5/3		5/3-way pneumatic valve, mid-position valve	4800			

## Type codes for valves with round plug

<b>001</b>	<b>Series</b>	
<b>VSVA</b>	Standards-based valve to ISO 5599-1	
<b>002</b>	<b>Directional control valve type</b>	
<b>B</b>	Sub-base valve	
<b>003</b>	<b>Valve function</b>	
<b>T22C</b>	2x2/2-way valve, normally closed	
<b>T32U</b>	2x3/2-way valve, normally open	
<b>T32F</b>	2x3/2-way valve, normally open, reversible	
<b>T32C</b>	2x3/2-way valve, normally closed	
<b>T32N</b>	2x3/2-way valve, normally closed, reversible	
<b>T32H</b>	2x3/2-way valve, 1x normally closed, 1x normally open	
<b>T32W</b>	2x3/2-way valve, 1x normally closed, 1x normally open, reversible	
<b>M52</b>	5/2-way valve, single solenoid/monostable	
<b>B52</b>	5/2-way valve, double solenoid/bistable	
<b>D52</b>	5/2-way valve, double solenoid/bistable, dominant signal	
<b>P53U</b>	5/3-way valve, mid-position pressurised	
<b>P53E</b>	5/3-way valve, mid-position exhausted	
<b>P53C</b>	5/3-way valve, mid-position closed	
<b>004</b>	<b>Reset method for monostable/single solenoid valves</b>	
	None	
<b>A</b>	Pneumatic spring	
<b>M</b>	Mechanical spring	

<b>005</b>	<b>Pilot air</b>	
	Internal	
<b>Z</b>	External	
<b>006</b>	<b>Manual override</b>	
<b>H</b>	Non-detenting	
<b>D</b>	Non-detenting, detenting	
<b>007</b>	<b>Pneumatic connection</b>	
<b>A2</b>	18 mm (02) ISO 15407-1/-2	
<b>A1</b>	26 mm (01) ISO 15407-1/-2	
<b>D1</b>	42 mm (1) ISO 5599-1/-2	
<b>D2</b>	52 mm (2) ISO 5599-1/-2	
<b>008</b>	<b>Nominal operating voltage</b>	
<b>1</b>	24 V DC	
<b>009</b>	<b>Electrical connection</b>	
<b>R2</b>	Central connector M8	
<b>R5</b>	Central plug M12	
<b>010</b>	<b>Display</b>	
<b>L</b>	LED	

## Type codes for valves with square plug type B to industry standard

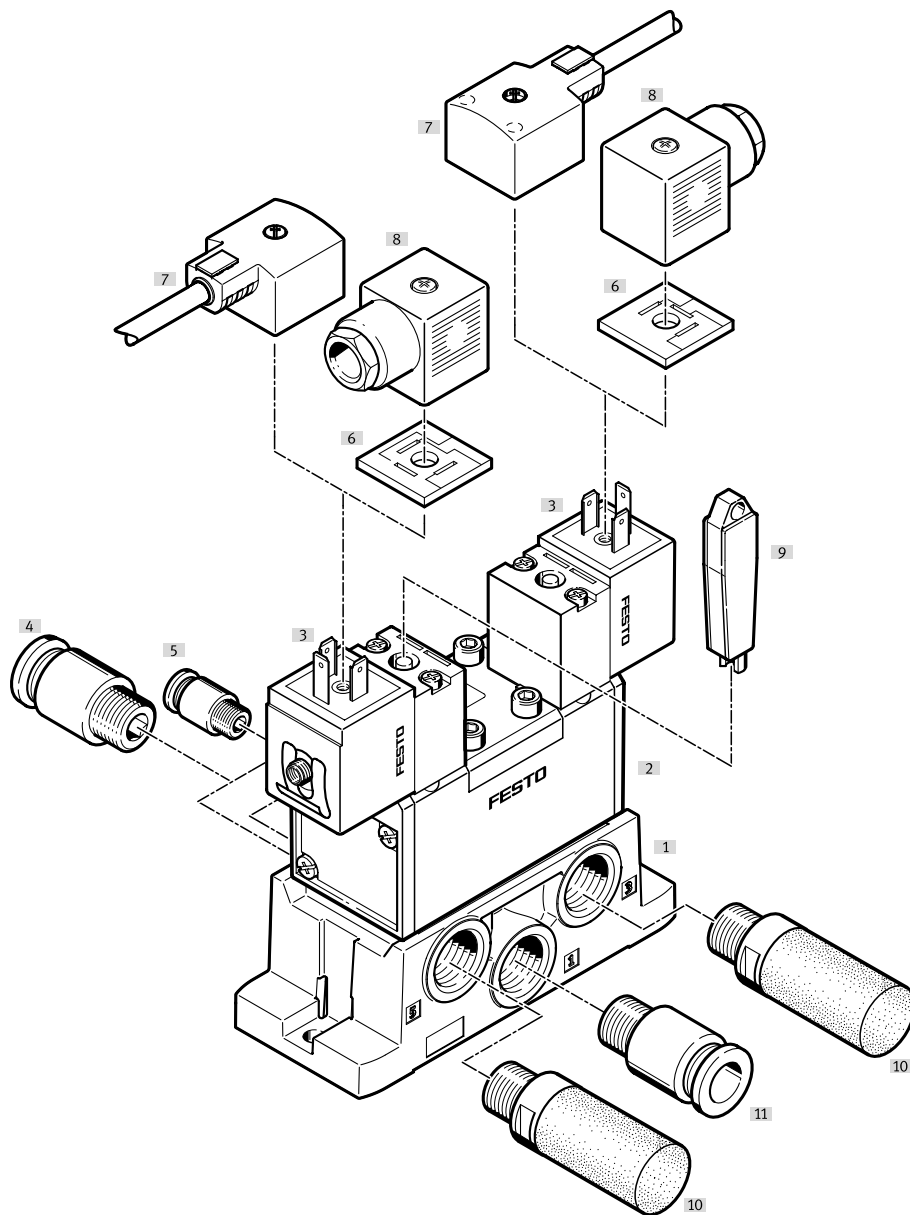
001	Series
<b>VSVA</b>	Standards-based valve VSVA
002	Directional control valve type
<b>B</b>	Sub-base valve
003	Design principle
	Piston spool
<b>K</b>	Piston spool with sealing ring
004	Valve function
<b>T22C</b>	2x2/2-way valve, normally closed
<b>T32U</b>	2x3/2-way valve, normally open
<b>T32F</b>	2x3/2-way valve, normally open, reversible
<b>T32C</b>	2x3/2-way valve, normally closed
<b>T32N</b>	2x3/2-way valve, normally closed, reversible
<b>T32H</b>	2x3/2-way valve, 1x normally closed, 1x normally open
<b>T32W</b>	2x3/2-way valve, 1x normally closed, 1x normally open, reversible
<b>B52</b>	5/2-way valve, double solenoid/bistable
<b>M52</b>	5/2-way valve, single solenoid/monostable
<b>D52</b>	5/2-way valve, double solenoid/bistable, dominant signal
<b>P53U</b>	5/3-way valve, mid-position pressurised
<b>P53E</b>	5/3-way valve, mid-position exhausted
<b>P53C</b>	5/3-way valve, mid-position closed
005	Reset method for monostable/single solenoid valves
	None
<b>A</b>	Pneumatic spring
<b>M</b>	Mechanical spring
006	Pilot air
	Internal
<b>Z</b>	External

007	Manual override
	None
<b>D</b>	Non-detenting, detenting
<b>H</b>	Non-detenting
008	Pneumatic connection
<b>A2</b>	18 mm (02) ISO 15407-1/-2
<b>A1</b>	26 mm (01) ISO 15407-1/-2
<b>D1</b>	42 mm (1) ISO 5599-1/-2
009	Nominal operating voltage
	None
<b>1</b>	24 V DC
<b>1A</b>	24 V AC/50-60 Hz
<b>2A</b>	110 V AC/50-60 Hz
<b>3A</b>	230 V AC/50-60 Hz
<b>5</b>	12 V DC
010	Electrical connection
<b>B2</b>	Connection pattern type B, industry standard
<b>C1</b>	Plug pattern type C, to EN 175301-803
<b>P1</b>	Interface for pilot valve size 15 mm to ISO 15218 (CNOMO)
<b>R3</b>	Individual plug M12, to EN 61076-2-101
011	Position sensing
	None
<b>APC</b>	Proximity sensor, PNP with open cable ends
<b>APP</b>	Proximity sensor, PNP with M8 plug
<b>APX</b>	Proximity sensor, PNP with cable and plug M12
<b>ANC</b>	Proximity sensor, NPN with open cable end
<b>ANP</b>	Proximity sensor, NPN with plug M8

## Peripherals overview

## Valve on individual sub-base

Solenoid valve with solenoid coil MSN1

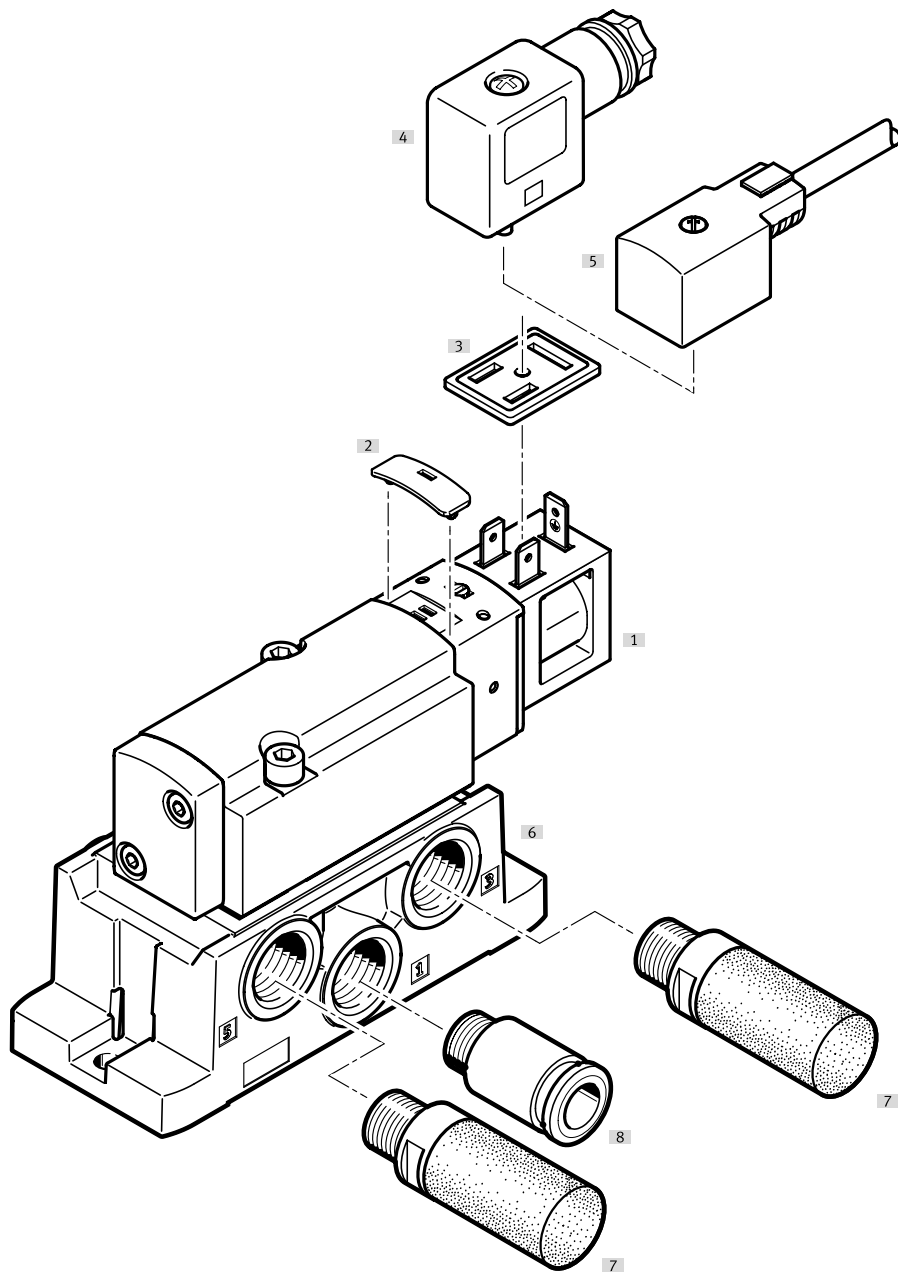


Individual components		Type	Brief description	→ Page/ Internet
[1]	Sub-base	VABS-S1-...	Pneumatic ports on the side	104
	Individual sub-base	NAS-...	Pneumatic ports on the side	104
		NAU-...	Pneumatic ports underneath	107
[2]	Solenoid valve	MN1H-...	Solenoid valve with solenoid coil, port pattern to ISO 5599-1, corresponding solenoid coils → page 139	26
[3]	Solenoid coil	MSN1...	Solenoid coil	136
[4]	Push-in fitting	QS-...	For connecting tubing with standard O.D.	qs
[5]	Push-in fitting	QS-...	For connecting tubing with standard O.D.	qs
[6]	Illuminating seal	M...LD	For displaying the signal status	137
[7]	Connecting cable	KMC-..., NEBV-...	With LED or without LED	137
[8]	Plug socket	MSSD-...	For self-assembly	137
[9]	Manual override	AHB-...	Tool for detenting manual override	138
[10]	Silencer	U-...	For fitting in exhaust ports	silencer
[11]	Push-in fitting	QS-...	For connecting tubing with standard O.D.	qs

## Peripherals overview

### Valve on individual sub-base

Solenoid valve with central plug M12, 3-pin



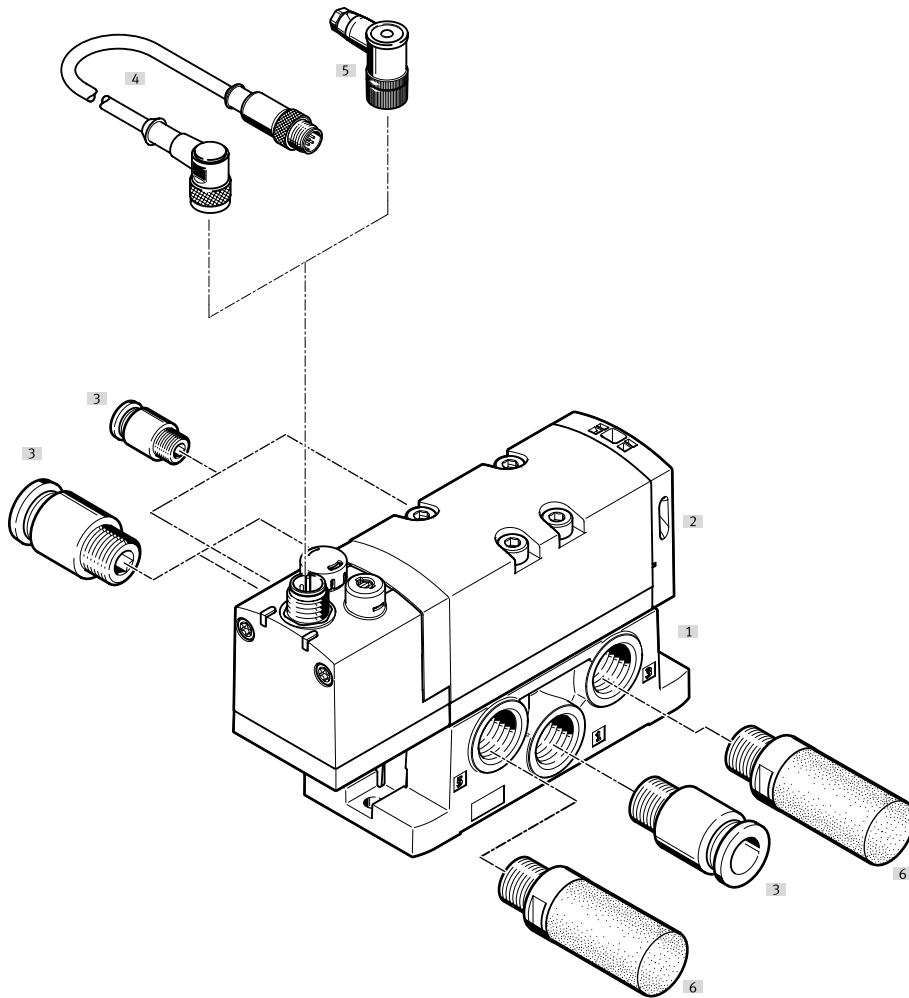
Individual components		Type	Brief description	→ Page/ Internet
[1]	Solenoid valve	VSVA-BK...	Solenoid valve with square plug type B to industry standard, port pattern to ISO 5599-1	50
[2]	Cover cap	VAMC-...	For manual override, non-detenting or covered	138
[3]	Illuminating seal	MF-LD	For displaying the signal status	137
[4]	Plug socket	MSSD-F-...	For self-assembly	137
[5]	Connecting cable	KMF-...	–	137
[6]	Sub-base	VABS-S1-...	Pneumatic ports on the side	104
	Individual sub-base	NAS-...	Pneumatic ports on the side	104
		NAU-...	Pneumatic ports underneath	107
[7]	Silencer	U-...	For fitting in exhaust ports	silencer
[8]	Push-in fitting	QS-...	For connecting tubing with standard O.D.	qs



## Peripherals overview

## Valve on individual sub-base

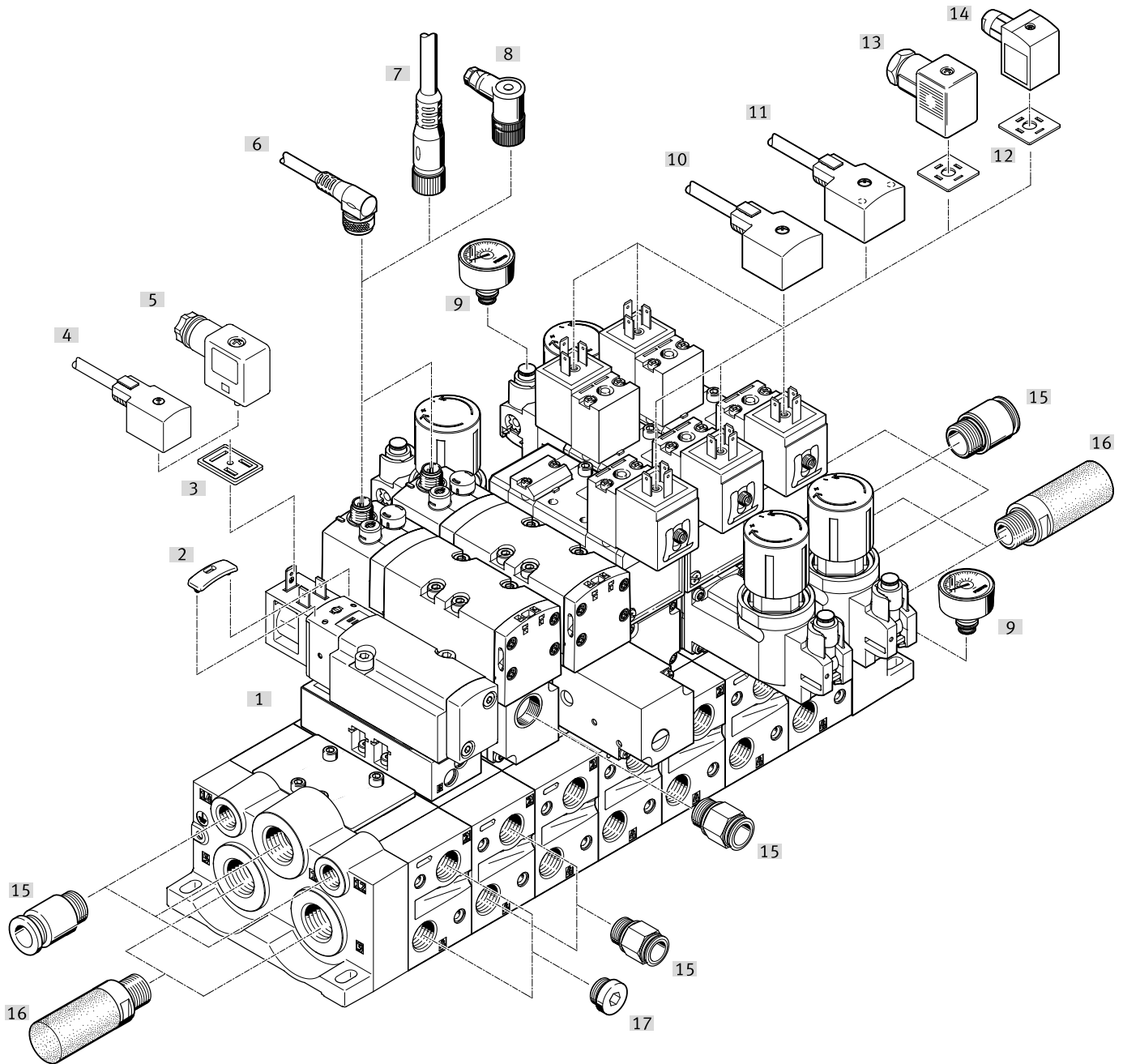
Solenoid valve with central plug M12, 3-pin



Individual components		Type	Brief description	→ Page/ Internet
[1]	Sub-base	VABS-S1-...	Pneumatic ports on the side	104
	Individual sub-base	NAS-...	Pneumatic ports on the side	104
		NAU-...	Pneumatic ports underneath	107
[2]	Solenoid valve	VSVA-B...	Solenoid valve with central plug M12, 3-pin, port pattern to ISO 5599-1	54
[3]	Push-in fitting	QS-...	For connecting tubing with standard O.D.	qs
[4]	Connecting cable	NEBU-...	-	138
[5]	Plug socket	SIE-...	For self-assembly	138
[6]	Silencer	U-...	For fitting in exhaust ports	silencer

## Peripherals overview

### Accessories

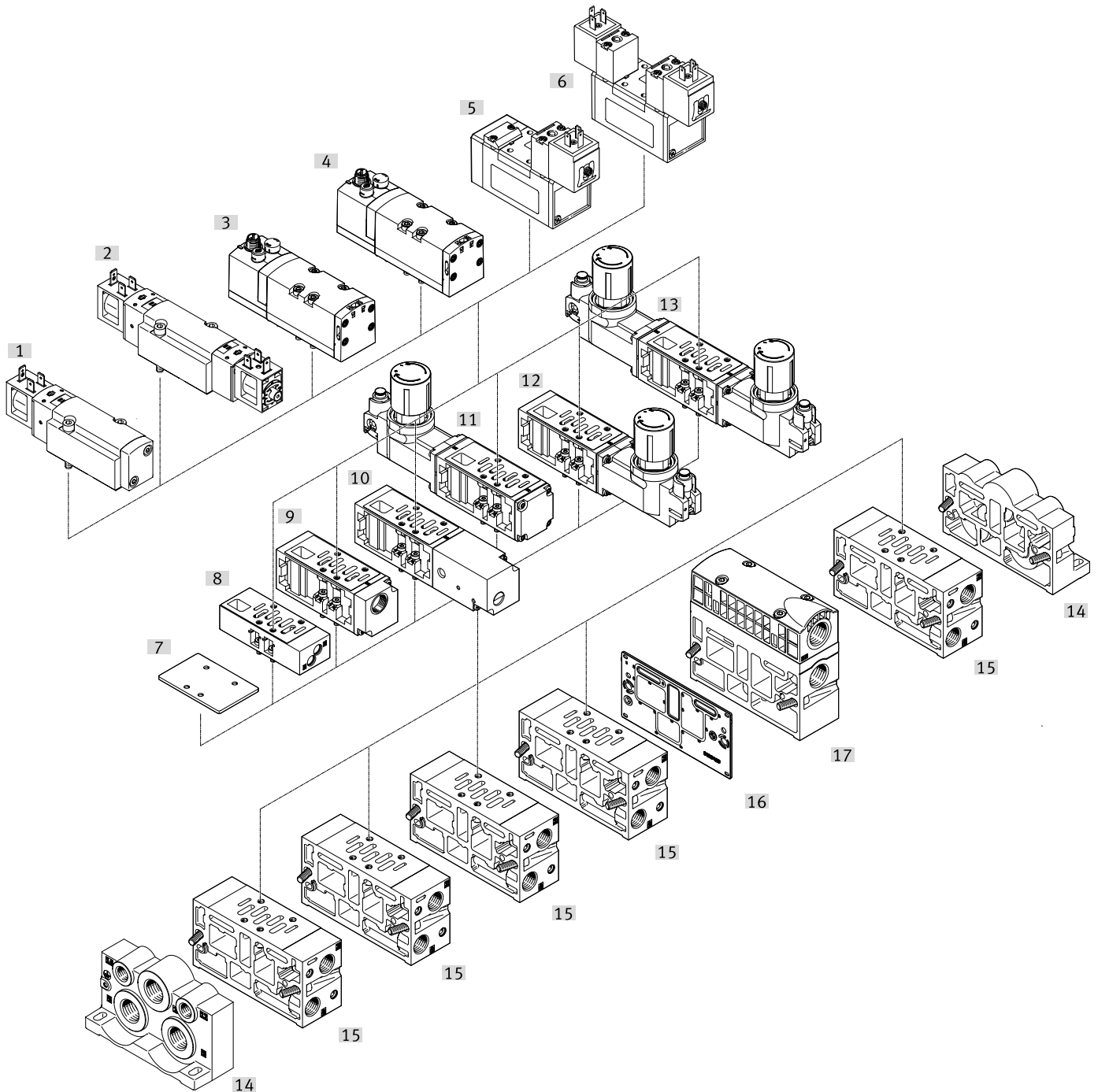


## Peripherals overview

Individual components		Type	Brief description	→ Page/ Internet
[1]	Solenoid valve	MN1H-...	Solenoid valve with solenoid coil, port pattern to ISO 5599-1, corresponding solenoid coils → page 139	26
		VSVA-BK...	Solenoid valve with square plug type B to industry standard, port pattern to ISO 5599-1	50
		VSVA-B...	Solenoid valve with central plug M12, 3-pin, port pattern to ISO 5599-1	54
[2]	Cover cap	VAMC-...	For manual override, non-detenting or covered	138
[3]	Illuminating seal	MF-LD	For displaying the signal status	137
[4]	Connecting cable	KMF-1...	With LED	137
[5]	Socket	MSSD-F	Connection pattern type B, industry standard	137
[6]	Connecting cable	NEBU-...	Angled socket, M12x1, 5-pin	138
[7]	Connecting cable	NEBU-...	Straight socket, M12x1, 5-pin	138
[8]	Socket	SIE-...	For self-assembly	138
[9]	Pressure gauge	PAGN-...	With push-in connector	138
[10]	Connecting cable	KMC-..., NEBV-...	Without LED	137
[11]	Connecting cable	KMC-...LED, NEBV-...	With LED	137
[12]	Illuminating seal	M...-LD	For displaying the signal status	137
[13]	Socket	MSSD-C-M16	With screw terminal connection	137
[14]	Socket	MSSD-CS-M16	With insulation displacement connection	137
[15]	Push-in fitting	QS-...	For connecting tubing with standard O.D.	qs
[16]	Silencer	U-...	For fitting in exhaust ports	silencer
[17]	Blanking plug	B-...	For sealing ports that are not required	b

## System overview

### Manifold assembly

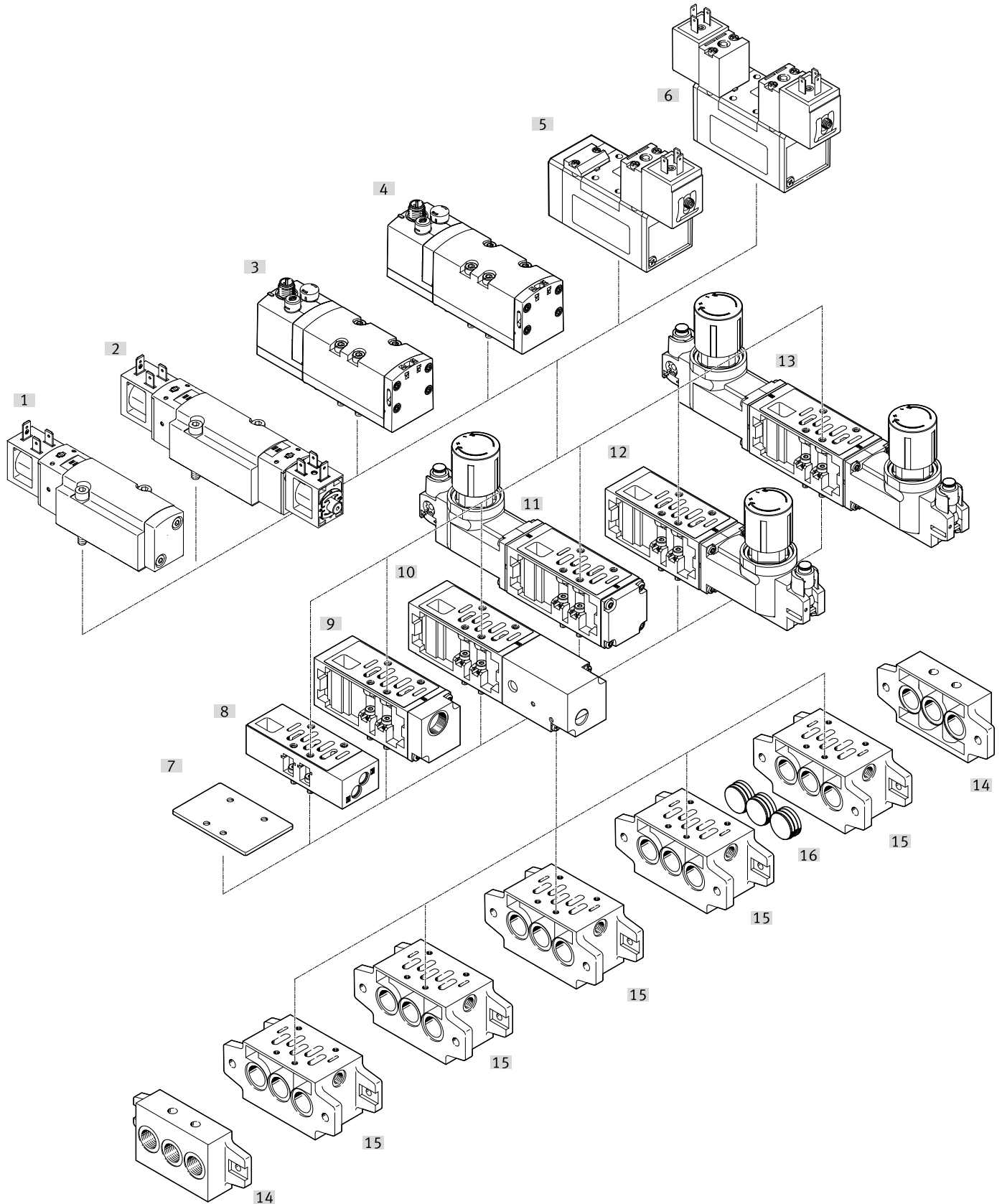


## System overview

Individual components		Type	Brief description	→ Page/ Internet
[1]	Solenoid valve	VSV-A-BK...	Solenoid valve with square plug type B to industry standard, port pattern to ISO 5599-1	50
[2]				
[3]	Solenoid valve	VSV-A-...	With central plug M12, 3-pin	54
[4]		MEBH-...	With central plug M12, 4-pin	64
		JMEBH-...	With central plug M12, 4-pin	64
		JMEBDH-...	With central plug M12, 4-pin	64
[5]	Solenoid valve	MN1H-...	With armature tube for solenoid coil MSN1	26
[6]		JMN1H-...	With armature tube for solenoid coil MSN1	26
		JMN1DH-...	With armature tube for solenoid coil MSN1	26
		MFH-...	With armature tube for solenoid coil MSF	38
		JMFH-...	With armature tube for solenoid coil MSF	38
		JMFDH-...	With armature tube for solenoid coil MSF	38
		MDH-...	With solenoid coil MD with round plug M12x1	68
		JMDH-...	With solenoid coil MD with round plug M12x1	68
		JMDDH-...	With solenoid coil MD with round plug M12x1	68
[7]	Cover plate	NDV-...	For sealing unused manifold sub-bases	119
[8]	Throttle plate	VABF-S1-...-F1B1-C	Restricts the flow of exhaust air in ducts 3 and 5	123
		GRO-ZP-...	Restricts the flow of exhaust air in ducts 3 and 5	123
[9]	Vertical supply plate	VABF-S1-...-P1A3-G38	Alternative compressed air supply for port 1 of the mounted valve	126
[10]	Vertical pressure shut-off plate	VABF-S1-...-L1D1-C	For blocking duct 1 and duct 14 upstream of a valve	128
[11]	Regulator plate	VABF-S1-...-R...	Pressure regulator for manually setting a particular pressure in the regulated port upstream or downstream of the valve	130
[12]				
[13]		LR-ZP-...		
[14]	End plate	VABE-S1-...	With ports for air supply 1 and exhausts 3 and 5 and pilot air supply 12 and 14	116
[15]	Manifold sub-base	VABV-S1-...	With ports 2 and 4 underneath	109
[16]	Duct separation	VABD-S1-1-...	For sealing ducts 1, 3, 5, 12 and 14 between end plate and manifold sub-base, e.g. to create pressure zones	120
[17]	Supply plate	VABF-S1-1-...	With ports for air supply 1 and exhausts 3 and 5	111

## System overview

### Manifold assembly



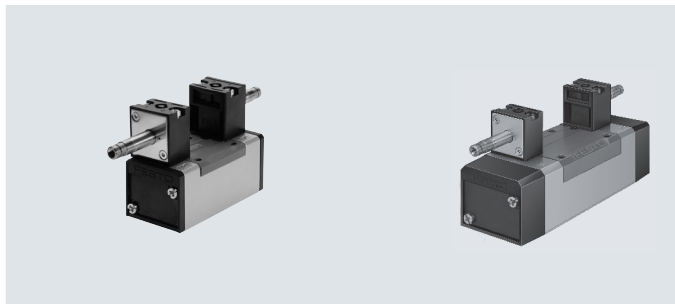
## System overview

Individual components		Type	Brief description	→ Page/ Internet
[1]	Solenoid valve	VSVA-BK...	Solenoid valve with square plug type B to industry standard, port pattern to ISO 5599-1	50
[2]				
[3]	Solenoid valve	VSVA-...	With central plug M12, 3-pin	54
[4]		MEBH-...	With central plug M12, 4-pin	64
		JMEBH-...	With central plug M12, 4-pin	64
		JMEBDH-...	With central plug M12, 4-pin	64
[5]	Solenoid valve	MN1H-...	With armature tube for solenoid coil MSN1	26
[6]		JMN1H-...	With armature tube for solenoid coil MSN1	26
		JMN1DH-...	With armature tube for solenoid coil MSN1	26
		MFH-...	With armature tube for solenoid coil MSF	38
		JMFH-...	With armature tube for solenoid coil MSF	38
		JMFDH-...	With armature tube for solenoid coil MSF	38
		MDH-...	With solenoid coil MD with round plug M12x1	68
		JMDH-...	With solenoid coil MD with round plug M12x1	68
		JMDDH-...	With solenoid coil MD with round plug M12x1	68
[7]	Cover plate	NDV-...	For sealing unused manifold sub-bases	119
[8]	Throttle plate	VABF-S1-...-F1B1-C	Restricts the flow of exhaust air in ducts 3 and 5	123
		GRO-ZP-...	Restricts the flow of exhaust air in ducts 3 and 5	123
[9]	Vertical supply plate	VABF-S1-...-P1A3-G38	Alternative compressed air supply for port 1 of the mounted valve	126
[10]	Vertical pressure shut-off plate	VABF-S1-...-L1D1-C	For blocking duct 1 and duct 14 upstream of a valve	128
[11]	Regulator plate	VABF-S1-...-R...	Pressure regulator for manually setting a particular pressure in the regulated port upstream or downstream of the valve	130
[12]				
[13]				
[14]	End plate kit	NEV-...	With ports for air supply 1 and exhausts 3 and 5	115
[15]	Manifold sub-base	NAV-...	With ports 2 and 4 underneath	109
[16]	Isolating disc	NSC-...	For sealing ducts 1, 3, 5 between end plate and manifold sub-base, e.g. to create pressure zones	119



Datasheet – Width 42 mm

-  - Flow rate  
1200 l/min



General technical data	
Design	Piston spool
Sealing principle	Soft
Actuation type	Electrical
Type of control	Piloted
Flow direction	With external pilot air supply Reversible With internal pilot air supply Not reversible
Exhaust air function	Can be throttled
Manual override	Non-detenting, detenting via accessory
Type of mounting	On sub-base, via through-hole
Mounting position	Any
Nominal width [mm]	8
Overlap	Positive overlap
Width [mm]	42
Grid dimension [mm]	43
Pneumatic connections	Sub-base size 1 to ISO 5599-1
Noise level [dB (A)]	85
Conforms to standard	ISO 5599-1
Certification	With internal pilot air supply c UL us - Recognized (OL)
Maritime classification <sup>1)</sup>	See certificate

1) Additional information: [www.festo.com/catalogue/...](http://www.festo.com/catalogue/...) → Support/Downloads.

Flow rates			
Valve function	5/2-way valve, single solenoid	5/2-way valve, double solenoid	5/3-way valve
Standard nominal flow rate [l/min]	1200		

Switching times [ms]					
		Switching time on	Switching time off	Switching time changeover	Switching time changeover (dominant)
5/2-way valve, single solenoid	MN1H-5/2-D-1-C	23	32	–	–
	MN1H-5/2-D-1-S-C	23	32	–	–
	MN1H-5/2-D-1-FR-C	17	39	–	–
	MN1H-5/2-D-1-FR-S-C	17	39	–	–
5/2-way valve, double solenoid	JMN1H-5/2-D-1-C	–	–	18	–
	JMN1H-5/2-D-1-S-C	–	–	18	–
	JMN1DH-5/2-D-1-C	–	–	18	15
	JMN1DH-5/2-D-1-S-C	–	–	18	15
5/3-way valve	MN1H-5/3G-D-1-C	20	44	–	–
	MN1H-5/3G-D-1-S-C	20	44	–	–
	MN1H-5/3E-D-1-C	20	46	–	–
	MN1H-5/3E-D-1-S-C	20	46	–	–
	MN1H-5/3B-D-1-C	20	46	–	–
	MN1H-5/3B-D-1-S-C	20	46	–	–

## Datasheet – Width 42 mm

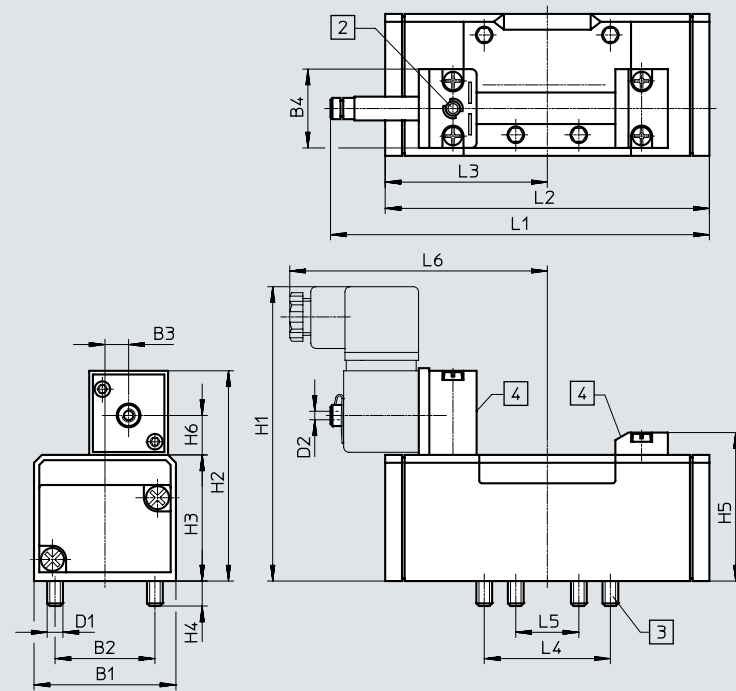
Operating and environmental conditions				
Reset method		Pneumatic spring		Mechanical spring
Operating medium		Compressed air to ISO 8573-1:2010 [7:4:4]		
Pilot medium		Compressed air to ISO 8573-1:2010 [7:4:4]		
Note on the operating/pilot medium		Lubricated operation possible (required for further operation)		
Operating pressure	Internal pilot air supply	[bar]	2 ... 10	3 ... 10
	External pilot air supply	[bar]	-0.9 ... +16	-0.9 ... +16
Pilot pressure		[bar]	2 ... 10	3 ... 10
Ambient temperature		[°C]	-5 ... +50	
Temperature of medium		[°C]	-5 ... +50	
Safety data				
Max. positive test pulse with 0 signal		[µs]	3700	
Max. negative test pulse with 1 signal		[µs]	4600	
Shock resistance			Shock test with severity level 2 to FN 942017-5 and EN 60068-2-27	
Vibration resistance			Transport application test with severity level 1 to FN 942017-4 and EN 60068-2-6	
Electrical data				
Electrical connection			Via N1 coil, to be ordered separately	
Degree of protection to EN 60529			IP65	
Materials				
Housing			Die-cast aluminium	
Seals			HNBR, NBR	
Note on materials			RoHS-compliant	

Datasheet – Width 42 mm

Dimensions

Download CAD data → [www.festo.com](http://www.festo.com)

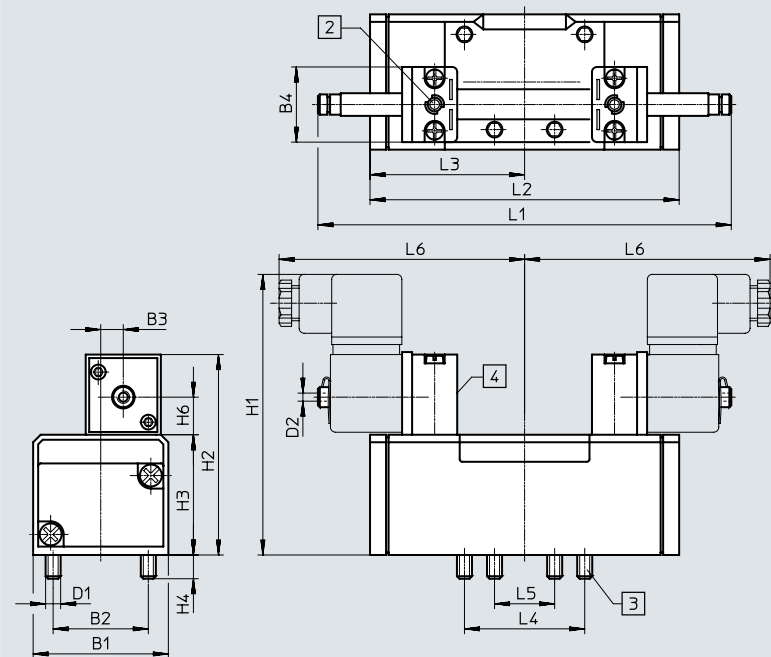
5/2-way single solenoid valves



- [2] Manual override
- [3] Captive retaining screws
- [4] Slot for inscription label

Type	B1	B2	B3	B4	D1	D2	H1	H2	H3	H4	H5	H6	L1	L2	L3	L4	L5	L6
MN1H-5/2- ...	42	28	6	30	M5	M5	106	74	38	9	46.5	15.3	117.5	87.6	43.8	36	18	89
MN1H-5/2- ... -FR- ...													128	98				

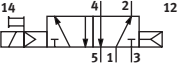

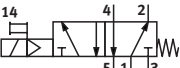
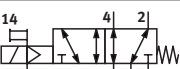
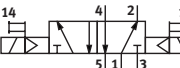
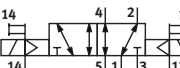
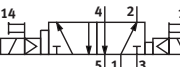
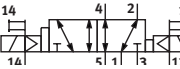
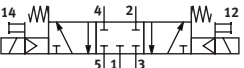
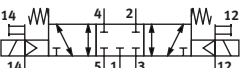


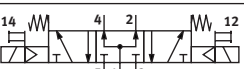
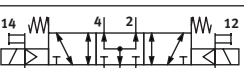
5/2-way double solenoid valves, 5/3-way valves



- [2] Manual override
- [3] Captive retaining screws
- [4] Slot for inscription label

Type	B1	B2	B3	B4	D1	D2	H1	H2	H3	H4	H5	H6	L1	L2	L3	L4	L5	L6
JMN1H-5/2- ...	42	28	6	30	M5	M5	106	74	38	9	46.5	15.3	147.3	87.6	43.8	36	18	89
JMN1DH-5/2- ...														87.6				
MN1H-5/3- ...														108.4				

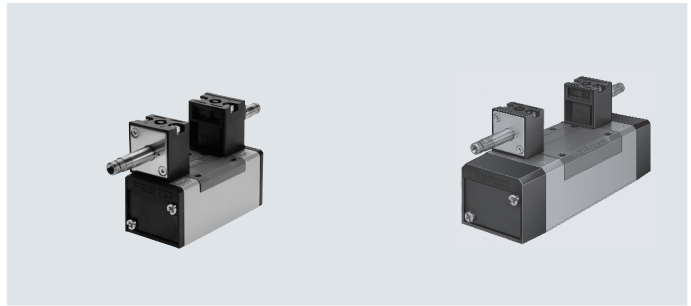
## Ordering data – Width 42 mm

Ordering data – Valves with armature tube for solenoid coil MSN1 <sup>1)</sup>					
Circuit symbol	Description	Pilot air supply	Weight [g]	Part no.	Type
<b>5/2-way valve</b>					
	Pneumatic spring return	Internal	450	<b>159688</b>	<b>MN1H-5/2-D-1-C</b>
	Pneumatic spring return	External	450	<b>159686</b>	<b>MN1H-5/2-D-1-S-C</b>
	Mechanical spring return	Internal	450	<b>159687</b>	<b>MN1H-5/2-D-1-FR-C</b>
	Mechanical spring return	External	450	<b>159716</b>	<b>MN1H-5/2-D-1-FR-S-C</b>
<b>5/2-way valve, double solenoid</b>					
	–	Internal	610	<b>159690</b>	<b>JMN1H-5/2-D-1-C</b>
	–	External	610	<b>159689</b>	<b>JMN1H-5/2-D-1-S-C</b>
	With dominant signal at 14	Internal	610	<b>159691</b>	<b>JMN1DH-5/2-D-1-C</b>
	With dominant signal at 14	External	610	<b>159717</b>	<b>JMN1DH-5/2-D-1-S-C</b>
<b>5/3-way valve</b>					
	Normally closed, mechanical spring return	Internal	650	<b>159681</b>	<b>MN1H-5/3G-D-1-C</b>
	Normally closed, mechanical spring return	External	650	<b>159680</b>	<b>MN1H-5/3G-D-1-S-C</b>
	Exhausted in normal position, mechanical spring return	Internal	650	<b>159683</b>	<b>MN1H-5/3E-D-1-C</b>
	Exhausted in normal position, mechanical spring return	External	650	<b>159682</b>	<b>MN1H-5/3E-D-1-S-C</b>
	Normally open, mechanical spring return	Internal	650	<b>159685</b>	<b>MN1H-5/3B-D-1-C</b>
	Normally open, mechanical spring return	External	650	<b>159684</b>	<b>MN1H-5/3B-D-1-S-C</b>

1) Solenoid coils → page 136

Datasheet – Width 52 mm

-  - Flow rate  
2300 l/min



**General technical data**

Design	Piston spool	
Sealing principle	Soft	
Actuation type	Electrical	
Type of control	Piloted	
Flow direction	With external pilot air supply	Reversible
	With internal pilot air supply	Not reversible
Exhaust air function	Can be throttled	
Manual override	Non-detenting, detenting via accessory	
Type of mounting	On sub-base, with through-hole and screw	
Mounting position	Any	
Nominal width [mm]	11.5	
Overlap	Positive overlap	
Width [mm]	52	
Grid dimension [mm]	56	
Pneumatic connections	Sub-base size 2 to ISO 5599-1	
Noise level [dB (A)]	85	
Conforms to standard	ISO 5599-1	
Certification	With internal pilot air supply	c UL us - Recognized (OL)
Maritime classification <sup>1)</sup>	See certificate	

1) Additional information: [www.festo.com/catalogue/...](http://www.festo.com/catalogue/...) → Support/Downloads.

**Flow rates**

Valve function	5/2-way valve, single solenoid	5/2-way valve, double solenoid	5/3-way valve
Standard nominal flow rate [l/min]	2300		

**Switching times [ms]**

		Switching time on	Switching time off	Switching time changeover	Switching time changeover (dominant)
5/2-way valve, single solenoid	MN1H-5/2-D-2-C	46	69	–	–
	MN1H-5/2-D-2-S-C	43	62	–	–
	MN1H-5/2-D-2-FR-C	24	62	–	–
	MN1H-5/2-D-2-FR-S-C	24	62	–	–
5/2-way valve, double solenoid	JMN1H-5/2-D-2-C	–	–	21	–
	JMN1H-5/2-D-2-S-C	–	–	21	–
	JMN1DH-5/2-D-2-C	–	–	24	21
	JMN1DH-5/2-D-2-S-C	–	–	24	21
5/3-way valve	MN1H-5/3G-D-2-C	33	82	–	–
	MN1H-5/3G-D-2-S-C	33	82	–	–
	MN1H-5/3E-D-2-C	36	84	–	–
	MN1H-5/3E-D-2-S-C	36	84	–	–
	MN1H-5/3B-D-2-C	35	78	–	–
	MN1H-5/3B-D-2-S-C	35	78	–	–

## Datasheet – Width 52 mm

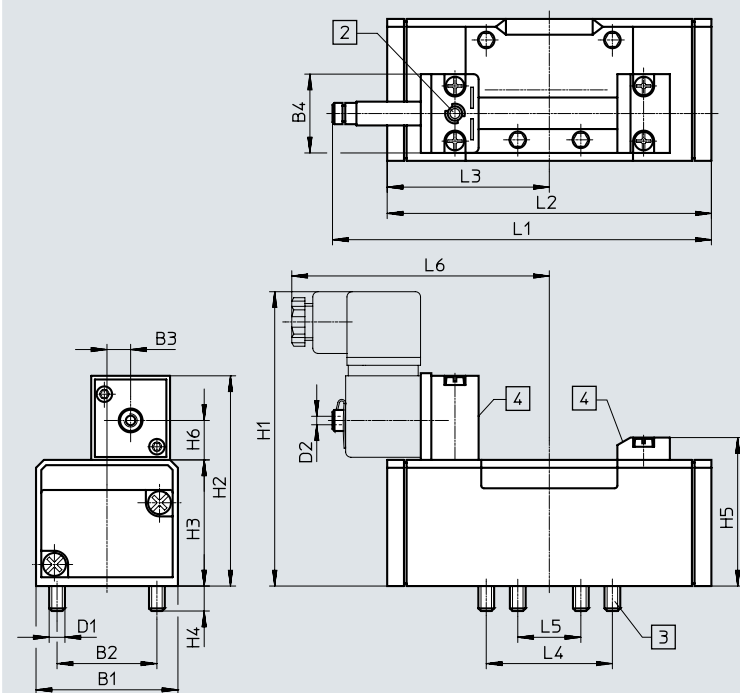
<b>Operating and environmental conditions</b>			
Reset method		Pneumatic spring	Mechanical spring
Operating medium		Compressed air to ISO 8573-1:2010 [7:4:4]	
Pilot medium		Compressed air to ISO 8573-1:2010 [7:4:4]	
Note on the operating/pilot medium		Lubricated operation possible (required for further operation)	
Operating pressure	Internal pilot air supply	[MPa]	0.2 ... 1
		[bar]	2 ... 10
	External pilot air supply	[MPa]	-0.09 ... +1.6
		[bar]	-0.9 ... +16
Pilot pressure	[bar]	2 ... 10	
Ambient temperature	[°C]	-5 ... +50	
Temperature of medium	[°C]	-5 ... +50	
<b>Safety data</b>			
Max. positive test pulse with 0 signal		[µs]	3700
Max. negative test pulse with 1 signal		[µs]	4600
Shock resistance		Shock test with severity level 2 to FN 942017-5 and EN 60068-2-27	
Vibration resistance		Transport application test with severity level 1 to FN 942017-4 and EN 60068-2-6	
<b>Electrical data</b>			
Electrical connection		Via N1 coil, to be ordered separately	
Degree of protection to EN 60529		IP65	
<b>Materials</b>			
Housing		Die-cast aluminium	
Seals		HNBR, NBR	
Note on materials		RoHS-compliant	
LABS (PWIS) conformity		VDMA24364-B1/B2-L	

## Datasheet – Width 52 mm

### Dimensions

Download CAD data → [www.festo.com](http://www.festo.com)

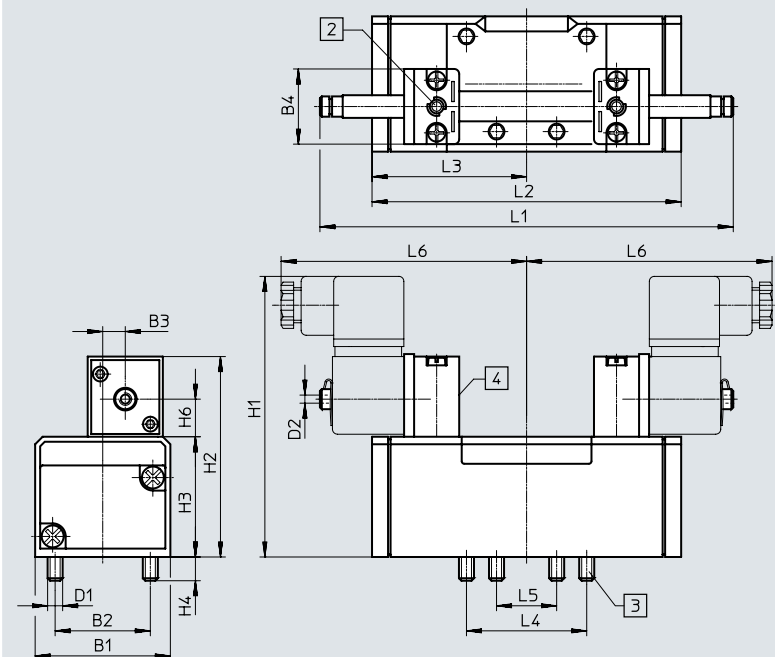
5/2-way single solenoid valves



- [2] Manual override
- [3] Captive retaining screws
- [4] Slot for inscription label

Type	B1	B2	B3	B4	D1	D2	H1	H2	H3	H4	H5	H6	L1	L2	L3	L4	L5	L6
MN1H-5/2- ...	54	38	9	30	M6	M5	116	84	48	9.5	56.5	15.3	147.6	123.4	61.7	48	24	98
MN1H-5/2- ... -FR- ...													161.5	140.7				

5/2-way double solenoid valves, 5/3-way valves



- [2] Manual override
- [3] Captive retaining screws
- [4] Slot for inscription label

Type	B1	B2	B3	B4	D1	D2	H1	H2	H3	H4	H5	H6	L1	L2	L3	L4	L5	L6
JMN1H-5/2- ...	54	38	9	30	M6	M5	116	84	48	9.5	56.5	15.3	165	123.4	61.7	48	24	98
JMN1DH-5/2- ...														123.4	61.7			
MN1H-5/3- ...														158	79			




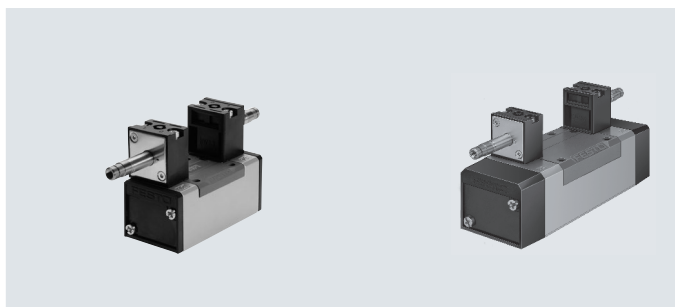
## Ordering data – Width 52 mm

Ordering data – Valves with armature tube for solenoid coil MSN1 <sup>1)</sup>					
Circuit symbol	Description	Pilot air supply	Weight [g]	Part no.	Type
<b>5/2-way valve, single solenoid</b>					
	Pneumatic spring return	Internal	710	<b>159700</b>	<b>MN1H-5/2-D-2-C</b>
	Pneumatic spring return	External	710	<b>159698</b>	<b>MN1H-5/2-D-2-S-C</b>
	Mechanical spring return	Internal	710	<b>159699</b>	<b>MN1H-5/2-D-2-FR-C</b>
	Mechanical spring return	External	710	<b>159718</b>	<b>MN1H-5/2-D-2-FR-S-C</b>
<b>5/2-way valve, double solenoid</b>					
	–	Internal	940	<b>159702</b>	<b>JMN1H-5/2-D-2-C</b>
	–	External	940	<b>159701</b>	<b>JMN1H-5/2-D-2-S-C</b>
	With dominant signal at 14	Internal	940	<b>159703</b>	<b>JMN1DH-5/2-D-2-C</b>
	With dominant signal at 14	External	940	<b>159719</b>	<b>JMN1DH-5/2-D-2-S-C</b>
<b>5/3-way valve</b>					
	Normally closed, mechanical spring return	Internal	940	<b>159693</b>	<b>MN1H-5/3G-D-2-C</b>
	Normally closed, mechanical spring return	External	940	<b>159692</b>	<b>MN1H-5/3G-D-2-S-C</b>
	Exhausted in normal position, mechanical spring return	Internal	940	<b>159695</b>	<b>MN1H-5/3E-D-2-C</b>
	Exhausted in normal position, mechanical spring return	External	940	<b>159694</b>	<b>MN1H-5/3E-D-2-S-C</b>
	Normally open, mechanical spring return	Internal	940	<b>159697</b>	<b>MN1H-5/3B-D-2-C</b>
	Normally open, mechanical spring return	External	940	<b>159696</b>	<b>MN1H-5/3B-D-2-S-C</b>

1) Solenoid coils → page 136

## Datasheet – Width 65 mm

-  - Flow rate  
4600 l/min



### General technical data

Design	Piston spool		
Sealing principle	Soft		
Actuation type	Electrical		
Type of control	Piloted		
Flow direction	With external pilot air supply	Reversible	
	With internal pilot air supply	Not reversible	
Exhaust air function	Can be throttled		
Manual override	Non-detenting, detenting via accessory		
Type of mounting	On sub-base, with through-hole and screw		
Mounting position	Any		
Nominal width	[mm]	14.5	
Overlap	Positive overlap		
Width	[mm]	65	
Grid dimension	[mm]	71	
Pneumatic connections	Sub-base size 3 to ISO 5599-1		
Noise level	[dB (A)]	85	
Conforms to standard	ISO 5599-1		
Certification	With internal pilot air supply	c UL us - Recognized (OL)	
Maritime classification <sup>1)</sup>	See certificate		

1) Additional information: [www.festo.com/catalogue/...](http://www.festo.com/catalogue/...) → Support/Downloads.

### Flow rates

Valve function	5/2-way valve	5/3-way valve			
		Normally closed	Normally exhausted	Normally open	
Standard nominal flow rate	[l/min]	4500	4100	4600	4000

## Datasheet – Width 65 mm

Switching times [ms]		Switching time on	Switching time off	Switching time changeover	Switching time changeover (dominant)
5/2-way valve, single solenoid	MN1H-5/2-D-3-C	49	71	–	–
	MN1H-5/2-D-3-S-C	49	71	–	–
	MN1H-5/2-D-3-FR-C	33	74	–	–
	MN1H-5/2-D-3-FR-S-C	33	74	–	–
5/2-way valve, double solenoid	JMN1H-5/2-D-3-C	–	–	21	–
	JMN1H-5/2-D-3-S-C	–	–	21	–
	JMN1DH-5/2-D-3-C	–	–	24	21
	JMN1DH-5/2-D-3-S-C	–	–	24	21
5/3-way valve	MN1H-5/3G-D-3-C	33	82	–	–
	MN1H-5/3G-D-3-S-C	33	82	–	–
	MN1H-5/3E-D-3-C	36	84	–	–
	MN1H-5/3E-D-3-S-C	36	84	–	–
	MN1H-5/3B-D-3-C	35	78	–	–
	MN1H-5/3B-D-3-S-C	35	78	–	–

Operating and environmental conditions			Pneumatic spring	Mechanical spring
Reset method				
Operating medium			Compressed air to ISO 8573-1:2010 [7:4:4]	
Pilot medium			Compressed air to ISO 8573-1:2010 [7:4:4]	
Note on the operating/pilot medium			Lubricated operation possible (required for further operation)	
Operating pressure	Internal pilot air supply	[MPa]	0.2 ... 1	0.3 ... 1
		[bar]	2 ... 10	3 ... 10
	External pilot air supply	[MPa]	–0.09 ... +1.6	–0.09 ... +1.6
		[bar]	–0.9 ... +16	–0.9 ... +16
Pilot pressure		[bar]	2 ... 10	3 ... 10
Ambient temperature		[°C]	–5 ... +50	
Temperature of medium		[°C]	–5 ... +50	

Safety data		
Max. positive test pulse with 0 signal	[µs]	3700
Max. negative test pulse with 1 signal	[µs]	4600
Shock resistance	Shock test with severity level 2 to FN 942017-5 and EN 60068-2-27	
Vibration resistance	Transport application test with severity level 1 to FN 942017-4 and EN 60068-2-6	

Electrical data	
Electrical connection	Via N1 coil, to be ordered separately
Degree of protection to EN 60529	IP65

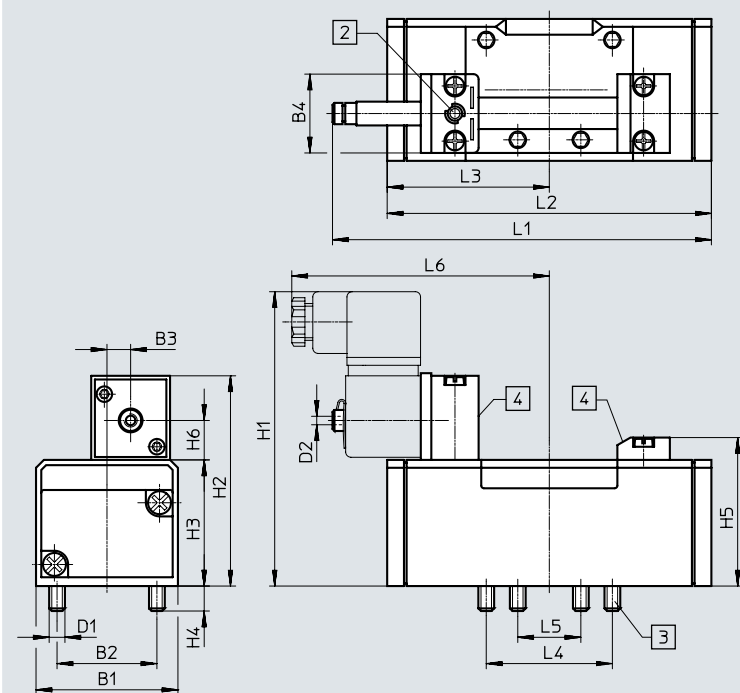
Materials	
Housing	Die-cast aluminium
Seals	HNBR, NBR
Note on materials	RoHS-compliant

Datasheet – Width 65 mm

Dimensions

Download CAD data → [www.festo.com](http://www.festo.com)

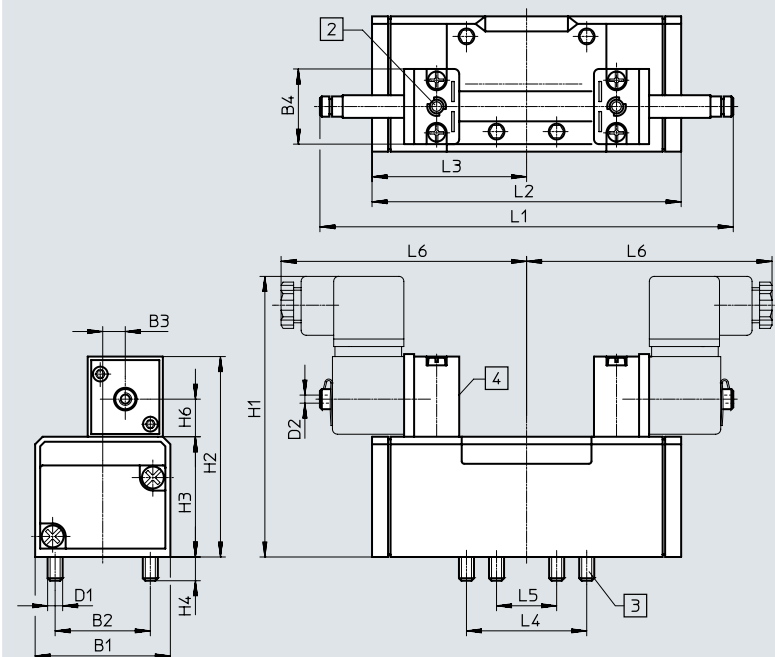
5/2-way valves, single solenoid



- [2] Manual override
- [3] Captive retaining screws
- [4] Slot for inscription label

Type	B1	B2	B3	B4	D1	D2	H1	H2	H3	H4	H5	H6	L1	L2	L3	L4	L5	L6
MN1H-5/2- ...	65	48	12	30	M8	M5	123	87.3	55	12	63.5	15.3	169	145.4	72.7	64	32	109
MN1H-5/2- ... -FR- ...													184.8	164.7				

5/2-way double solenoid valves, 5/3-way valves



- [2] Manual override
- [3] Captive retaining screws
- [4] Slot for inscription label


Type	B1	B2	B3	B4	D1	D2	H1	H2	H3	H4	H5	H6	L1	L2	L3	L4	L5	L6
JMN1H-5/2- ...	65	48	12	30	M8	M5	123	87.3	55	12	–	15.3	185.7	145.4	72.7	64	32	109
JMN1DH-5/2- ...											–			145.4	72.7			
MN1H-5/3- ...											63.5			184	92			

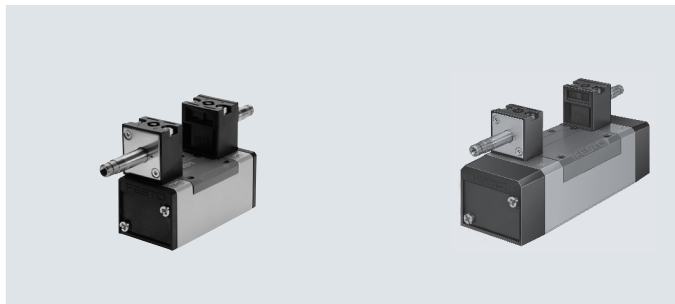
## Ordering data – Width 65 mm

Ordering data – Valves with armature tube for solenoid coil MSN1 <sup>1)</sup>					
Circuit symbol	Description	Pilot air supply	Weight [g]	Part no.	Type
<b>5/2-way valve, single solenoid</b>					
	Pneumatic spring return	Internal	1000	159712	MN1H-5/2-D-3-C
	Pneumatic spring return	External	1000	159710	MN1H-5/2-D-3-S-C
	Mechanical spring return	Internal	1000	159711	MN1H-5/2-D-3-FR-C
	Mechanical spring return	External	1000	160896	MN1H-5/2-D-3-FR-S-C
<b>5/2-way valve, double solenoid</b>					
	–	Internal	1090	159714	JMN1H-5/2-D-3-C
	–	External	1090	159713	JMN1H-5/2-D-3-S-C
	With dominant signal at 14	Internal	1090	159715	JMN1DH-5/2-D-3-C
	With dominant signal at 14	External	1090	160897	JMN1DH-5/2-D-3-S-C
<b>5/3-way valve</b>					
	Normally closed, mechanical spring return	Internal	1170	159705	MN1H-5/3G-D-3-C
	Normally closed, mechanical spring return	External	1170	159704	MN1H-5/3G-D-3-S-C
	Exhausted in normal position, mechanical spring return	Internal	1170	159707	MN1H-5/3E-D-3-C
	Exhausted in normal position, mechanical spring return	External	1170	159706	MN1H-5/3E-D-3-S-C
	Normally open, mechanical spring return	Internal	1170	159709	MN1H-5/3B-D-3-C
	Normally open, mechanical spring return	External	1170	159708	MN1H-5/3B-D-3-S-C

1) Solenoid coils → page 136

Datasheet – Width 42 mm

 Flow rate  
 1200 l/min



General technical data		MFH- ... -C, JMF- ... -C	MFH- ... -EX, JMF- ... -EX
Type			
Design		Piston spool	Piston spool
Sealing principle		Soft	Soft
Actuation type		Electrical	Electrical
Type of control		Piloted	Piloted
Flow direction	With external pilot air supply	Reversible	Reversible
	With internal pilot air supply	Not reversible	Not reversible
Exhaust air function		Can be throttled	Can be throttled
Manual override		Non-detenting, detenting via accessory	Non-detenting, detenting via accessory
Type of mounting		On sub-base, via through-hole	
Mounting position		Any	Any
Nominal width	[mm]	8	8
Overlap		Positive overlap	Positive overlap
Width	[mm]	42	42
Grid dimension	[mm]	43	43
Pneumatic connections		Sub-base size 1 to ISO 5599-1	Sub-base size 1 to ISO 5599-1
Noise level	[dB (A)]	85	85
Conforms to standard		ISO 5599-1	ISO 5599-1
Maritime classification <sup>1)</sup>		See certificate	–

1) Additional information: [www.festo.com/catalogue/...](http://www.festo.com/catalogue/...) → Support/Downloads.

Flow rates		5/2-way valve, single solenoid	5/2-way valve, double solenoid	5/3-way valve
Valve function				
Standard nominal flow rate	[l/min]	1200		

Switching times [ms]		Switching time on	Switching time off	Switching time changeover	Switching time changeover (dominant)
5/2-way valve, single solenoid	MFH-5/2-...	23	35	–	–
	MFH-5/2-D-1-FR...	16	45	–	–
5/2-way valve, double solenoid	JMFH-...	–	–	16	–
	JMFDH-...	–	–	16	13
5/3-way valve	MFH-5/3G-D-1-C	18	35	–	–
	MFH-5/3G-D-1-C-EX	18	35	–	–
	MFH-5/3G-D-1-S-C	18	36	–	–
	MFH-5/3G-D-1-S-C-EX	18	36	–	–
	MFH-5/3E-D-1-C	18	36	–	–
	MFH-5/3E-D-1-C-EX	18	36	–	–
	MFH-5/3E-D-1-S-C	18	36	–	–
	MFH-5/3E-D-1-S-C-EX	18	36	–	–
	MFH-5/3B-D-1-C	18	36	–	–
	MFH-5/3B-D-1-C-EX	18	36	–	–
	MFH-5/3B-D-1-S-C	18	36	–	–
	MFH-5/3B-D-1-S-C-EX	18	36	–	–

## Datasheet – Width 42 mm

<b>ATEX</b>	
Type	MFH- ... -EX, JMFH- ... -EX, JMFDH- ... -EX
ATEX category for gas	II 2G
Type of (ignition) protection for gas	Ex h IIC T4 Gb
ATEX category for dust	II 2D
Type of (ignition) protection for dust	Ex h IIIC T105°C Db
Explosion ambient temperature	[°C] -5 ≤ Ta ≤ +40
Explosion protection certification outside EU	EPL Db (GB)
	EPL Gb (GB)
CE marking (see declaration of conformity) <sup>1)</sup>	To EU Explosion Protection Directive (ATEX)
UKCA marking (see declaration of conformity) <sup>1)</sup>	To UK regulations for explosions

1) Additional information: [www.festo.com/catalogue/...](http://www.festo.com/catalogue/...) → Support/Downloads.

<b>Operating and environmental conditions</b>			
Reset method		Pneumatic spring	Mechanical spring
Operating medium		Compressed air to ISO 8573-1:2010 [7:4:4]	
Pilot medium		Compressed air to ISO 8573-1:2010 [7:4:4]	
Note on the operating/pilot medium		Lubricated operation possible (required for further operation)	
Operating pressure	Internal pilot air supply	[bar] 2 ... 10	3 ... 10
	External pilot air supply	[bar] -0.9 ... +16	-0.9 ... +16
Pilot pressure		[bar] 2 ... 10	3 ... 10
Ambient temperature		[°C] -5 ... +40	
Temperature of medium		[°C] -10 ... +60	
		[°C] -5 ... +40 (MFH- ... -EX, JMFH- ... -EX, JMFDH- ... -EX)	

<b>Safety data</b>	
Max. positive test pulse with 0 signal	[µs] 2200
Max. negative test pulse with 1 signal	[µs] 3700
Shock resistance	Shock test with severity level 2 to FN 942017-5 and EN 60068-2-27
Vibration resistance	Transport application test with severity level 1 to FN 942017-4 and EN 60068-2-6

<b>Electrical data</b>	
Electrical connection	Via F coil, to be ordered separately
Degree of protection to EN 60529	IP65

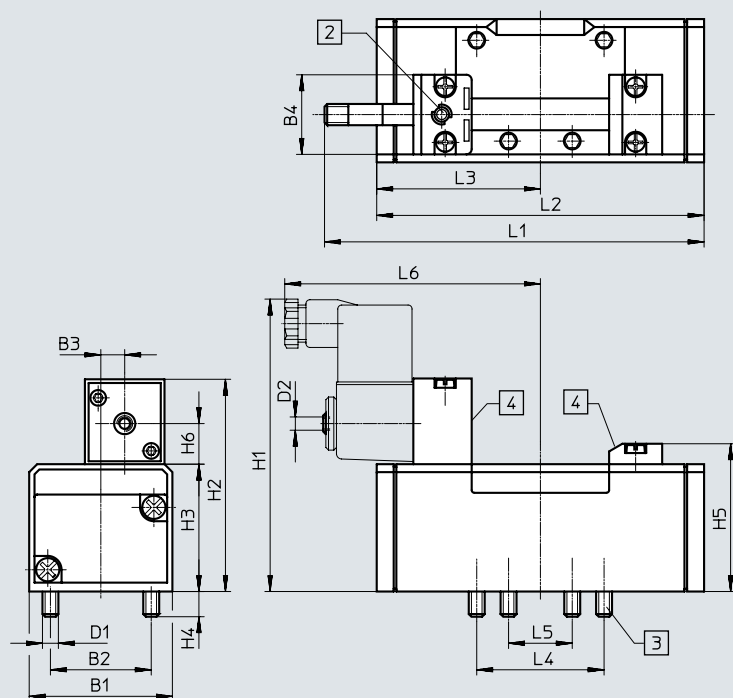
<b>Materials</b>	
Housing	Die-cast aluminium
Seals	HNBR, NBR
Note on materials	RoHS-compliant

## Datasheet – Width 42 mm

### Dimensions

Download CAD data → [www.festo.com](http://www.festo.com)

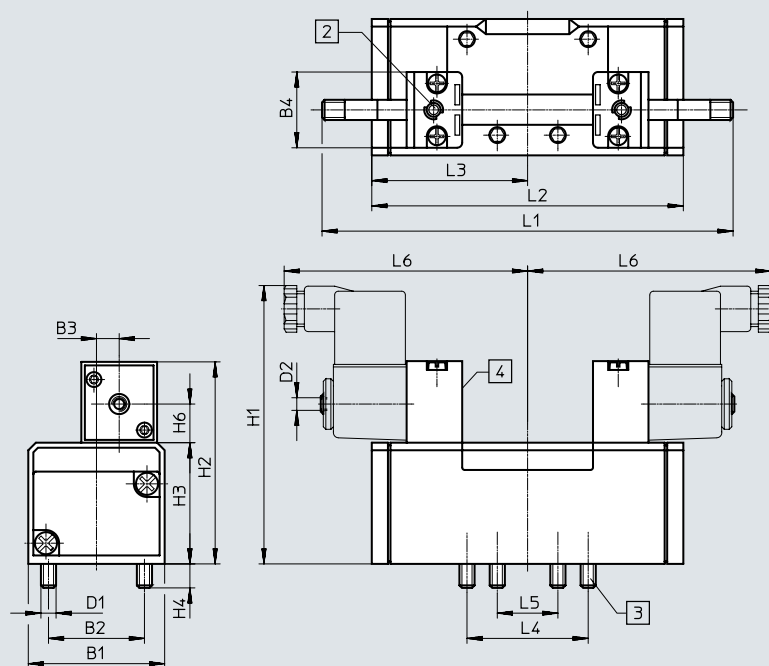
5/2-way valves, single solenoid



- [2] Manual override
- [3] Captive retaining screws
- [4] Slot for inscription label

Type	B1	B2	B3	B4	D1	D2	H1	H2	H3	H4	H5	H6	L1	L2	L3	L4	L5	L6
MFH-5/2- ...	42	28	6	30	M5	M5	100	70.3	38	9	46.5	13.5	115	87.6	43.8	36	18	89
MFH-5/2- ... -FR ...													125.6	98				

5/2-way double solenoid valves, 5/3-way valves



- [2] Manual override
- [3] Captive retaining screws
- [4] Slot for inscription label

Type	B1	B2	B3	B4	D1	D2	H1	H2	H3	H4	H5	H6	L1	L2	L3	L4	L5	L6
JMFH-5/2- ...	42	28	6	30	M5	M5	100	70.3	38	9	–	13.5	142.6	87.6	43.8	36	18	89
JMFDH-5/2- ...														87.6	43.8			
MFH-5/3...														108.4	54.2			



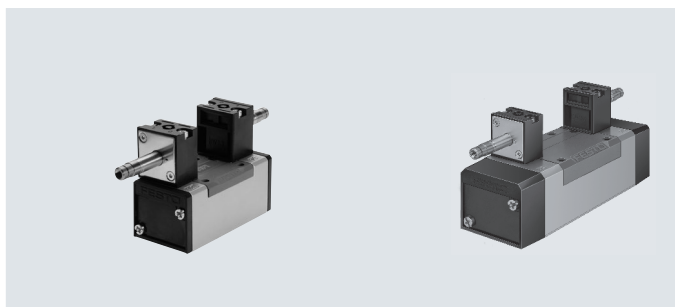
## Ordering data – Width 42 mm

Ordering data – Valves with armature tube for solenoid coil MSF <sup>1)</sup>						
Circuit symbol	Description	Pilot air supply	Weight [g]		Part no.	Type
<b>5/2-way valve, single solenoid</b>						
	Pneumatic spring return	Internal	390	–	<b>150981</b>	<b>MFH-5/2-D-1-C</b>
				ATEX category → page 39	<b>535954</b>	<b>MFH-5/2-D-1-C-EX</b>
	Pneumatic spring return	External	390	–	<b>152562</b>	<b>MFH-5/2-D-1-S-C</b>
				ATEX category → page 39	<b>535957</b>	<b>MFH-5/2-D-1-S-C-EX</b>
	Mechanical spring return	Internal	390	–	<b>151016</b>	<b>MFH-5/2-D-1-FR-C</b>
				ATEX category → page 39	<b>535960</b>	<b>MFH-5/2-D-1-FR-C-EX</b>
	Mechanical spring return	External	390	–	<b>188510</b>	<b>MFH-5/2-D-1-FR-S-C</b>
<b>5/2-way valve, double solenoid</b>						
	–	Internal	490	–	<b>150980</b>	<b>JMFH-5/2-D-1-C</b>
				ATEX category → page 39	<b>535963</b>	<b>JMFH-5/2-D-1-C-EX</b>
	–	External	490	–	<b>152563</b>	<b>JMFH-5/2-D-1-S-C</b>
				ATEX category → page 39	<b>535966</b>	<b>JMFH-5/2-D-1-S-C-EX</b>
	With dominant signal at 14	Internal	490	–	<b>151019</b>	<b>JMFDH-5/2-D-1-C</b>
				ATEX category → page 39	<b>536071</b>	<b>JMFDH-5/2-D-1-C-EX</b>
<b>5/3-way valve</b>						
	Normally closed, mechanical spring return	Internal	520	–	<b>150982</b>	<b>MFH-5/3G-D-1-C</b>
				ATEX category → page 39	<b>535969</b>	<b>MFH-5/3G-D-1-C-EX</b>
	Normally closed, mechanical spring return	External	520	–	<b>152564</b>	<b>MFH-5/3G-D-1-S-C</b>
				ATEX category → page 39	<b>535972</b>	<b>MFH-5/3G-D-1-S-C-EX</b>
	Normally exhausted, mechanical spring return	Internal	520	–	<b>150983</b>	<b>MFH-5/3E-D-1-C</b>
				ATEX category → page 39	<b>535975</b>	<b>MFH-5/3E-D-1-C-EX</b>
	Normally exhausted, mechanical spring return	External	520	–	<b>152565</b>	<b>MFH-5/3E-D-1-S-C</b>
				ATEX category → page 39	<b>535978</b>	<b>MFH-5/3E-D-1-S-C-EX</b>
	Normally open, mechanical spring return	Internal	520	–	<b>150984</b>	<b>MFH-5/3B-D-1-C</b>
				ATEX category → page 39	<b>535981</b>	<b>MFH-5/3B-D-1-C-EX</b>
	Normally open, mechanical spring return	External	520	–	<b>152566</b>	<b>MFH-5/3B-D-1-S-C</b>
				ATEX category → page 39	<b>535984</b>	<b>MFH-5/3B-D-1-S-C-EX</b>

1) Solenoid coils → page 136

Datasheet – Width 52 mm

-  - Flow rate  
2300 l/min



General technical data		MFH- ... -C, JMF- ... -C	MFH- ... -EX, JMF- ... -EX
Type			
Design		Piston spool	Piston spool
Sealing principle		Soft	Soft
Actuation type		Electrical	Electrical
Type of control		Piloted	Piloted
Flow direction	With external pilot air supply	Reversible	Reversible
	With internal pilot air supply	Not reversible	Not reversible
Exhaust air function		Can be throttled	Can be throttled
Manual override		Non-detenting, detenting via accessory	Non-detenting, detenting via accessory
Type of mounting		On sub-base, with through-hole and screw	
Mounting position		Any	Any
Nominal width	[mm]	11.5	11.5
Overlap		Positive overlap	Positive overlap
Width	[mm]	52	52
Grid dimension	[mm]	56	56
Pneumatic connections		Sub-base size 2 to ISO 5599-1	Sub-base size 2 to ISO 5599-1
Noise level	[dB (A)]	85	85
Conforms to standard		ISO 5599-1	ISO 5599-1
Maritime classification <sup>1)</sup>		See certificate	–

1) Additional information: [www.festo.com/catalogue/...](http://www.festo.com/catalogue/...) → Support/Downloads.

Flow rates		5/2-way valve, single solenoid	5/2-way valve, double solenoid	5/3-way valve
Valve function				
Standard nominal flow rate	[l/min]	2300		

Switching times [ms]		Switching time on	Switching time off	Switching time changeover	Switching time changeover (dominant)
5/2-way valve, single solenoid	MFH-5/2-...	48	71	–	–
	MFH-5/2-D-2-FR-...	27	73	–	–
5/2-way valve, double solenoid	JMFH-...	–	–	18	–
	JMFDH-...	–	–	18	18
5/3-way valve	MFH-5/3G-...	33	63	–	–
	MFH-5/3E-...	35	67	–	–
	MFH-5/3B-...	35	69	–	–

## Datasheet – Width 52 mm

<b>ATEX</b>	
Type	MFH- ... -EX, JMFH- ... -EX, JMFDH- ... -EX
ATEX category for gas	II 2G
Type of (ignition) protection for gas	Ex h IIC T4 Gb
ATEX category for dust	II 2D
Type of (ignition) protection for dust	Ex h IIIC T105°C Db
Explosion ambient temperature	[°C] -5 ≤ Ta ≤ +40
Explosion protection certification outside EU	EPL Db (GB)
	EPL Gb (GB)
CE marking (see declaration of conformity) <sup>1)</sup>	To EU Explosion Protection Directive (ATEX)
UKCA marking (see declaration of conformity) <sup>1)</sup>	To UK regulations for explosions

1) Additional information: [www.festo.com/catalogue/...](http://www.festo.com/catalogue/...) → Support/Downloads.

<b>Operating and environmental conditions</b>				
Reset method		Pneumatic spring		Mechanical spring
Operating medium		Compressed air to ISO 8573-1:2010 [7:4:4]		
Pilot medium		Compressed air to ISO 8573-1:2010 [7:4:4]		
Note on the operating/pilot medium		Lubricated operation possible (required for further operation)		
Operating pressure	Internal pilot air supply	[MPa]	0.2 ... 1	0.3 ... 1
		[bar]	2 ... 10	3 ... 10
	External pilot air supply	[MPa]	-0.09 ... +1.6	-0.09 ... +1.6
		[bar]	-0.9 ... +16	-0.9 ... +16
Pilot pressure	[bar]	2 ... 10	3 ... 10	
Ambient temperature	[°C]	-5 ... +40		
Temperature of medium	[°C]	-10 ... +60		

<b>Safety data</b>		
Max. positive test pulse with 0 signal	[µs]	2200
Max. negative test pulse with 1 signal	[µs]	3700
Shock resistance	Shock test with severity level 2 to FN 942017-5 and EN 60068-2-27	
Vibration resistance	Transport application test with severity level 1 to FN 942017-4 and EN 60068-2-6	

<b>Electrical data</b>	
Electrical connection	Via F coil, to be ordered separately
Degree of protection to EN 60529	IP65

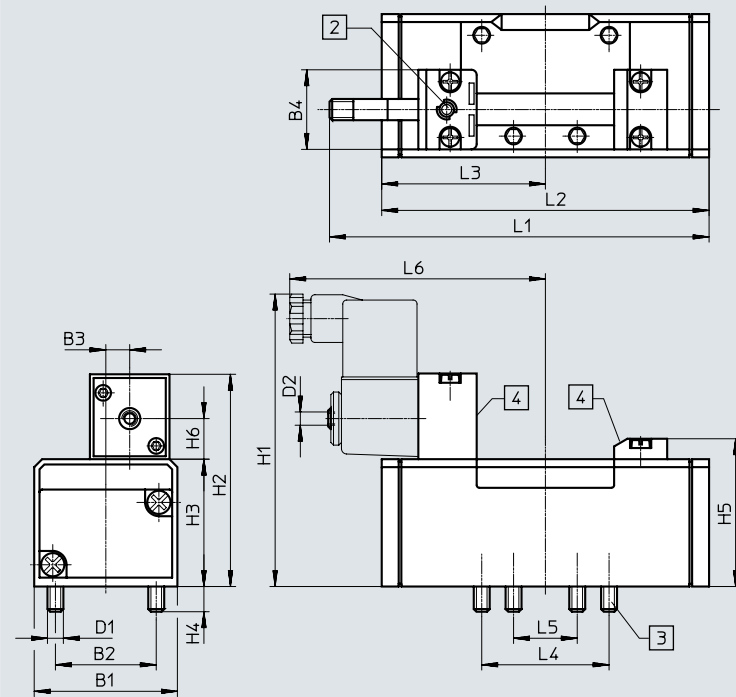
<b>Materials</b>	
Housing	Die-cast aluminium
Seals	HNBR, NBR
Note on materials	RoHS-compliant
LABS (PWIS) conformity	VDMA24364-B1/B2-L

Datasheet – Width 52 mm

Dimensions

Download CAD data → [www.festo.com](http://www.festo.com)

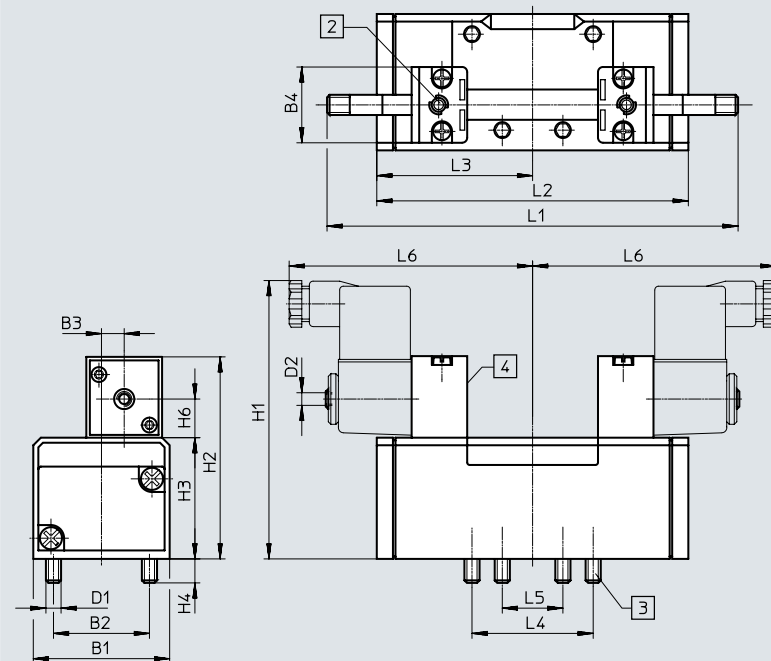
5/2-way valve, single solenoid



- [2] Manual override
- [3] Captive retaining screws
- [4] Slot for inscription label

Type	B1	B2	B3	B4	D1	D2	H1	H2	H3	H4	H5	H6	L1	L2	L3	L4	L5	L6
MFH-5/2- ...	54	38	9	30	M6	M5	110	80.3	48	9.5	56.5	13.5	142	123.4	61.7	48	24	98
MFH-5/2- ... -FR- ...													159.4	140.7				

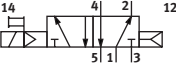
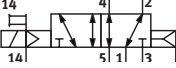
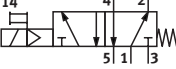
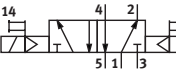
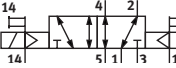
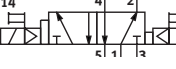
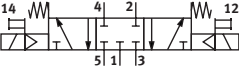
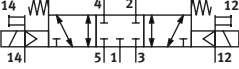

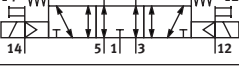
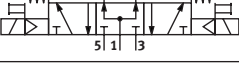
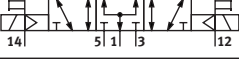
5/2-way double solenoid valves, 5/3-way valves



- [2] Manual override
- [3] Captive retaining screws
- [4] Slot for inscription label


Type	B1	B2	B3	B4	D1	D2	H1	H2	H3	H4	H5	H6	L1	L2	L3	L4	L5	L6
JMFH-5/2- ...	54	38	9	30	M6	M5	110	80.3	48	9.5	–	13.5	160.4	123.4	61.7	48	24	97
JMFDH-5/2- ...													160.4	123.4	61.7			97
MFH-5/3- ...													160	158	79			98

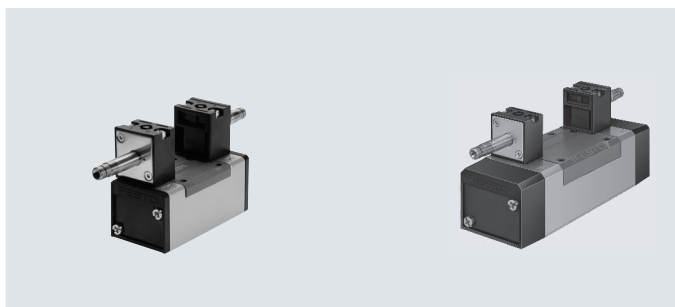
## Ordering data – Width 52 mm

Ordering data – Valves with armature tube for solenoid coil MSF <sup>1)</sup>						
Circuit symbol	Description	Pilot air supply	Weight [g]		Part no.	Type
<b>5/2-way valve, single solenoid</b>						
	Pneumatic spring return	Internal	650	–	151851	MFH-5/2-D-2-C
				ATEX category → page 43	535955	MFH-5/2-D-2-C-EX
	Pneumatic spring return	External	650	–	151022	MFH-5/2-D-2-S-C
				ATEX category → page 43	535958	MFH-5/2-D-2-S-C-EX
	Mechanical spring return	Internal	650	–	151709	MFH-5/2-D-2-FR-C
				ATEX category → page 43	535961	MFH-5/2-D-2-FR-C-EX
<b>5/2-way valve, double solenoid</b>						
	–	Internal	820	–	151852	JMFH-5/2-D-2-C
				ATEX category → page 43	535964	JMFH-5/2-D-2-C-EX
	–	External	820	–	151023	JMFH-5/2-D-2-S-C
				ATEX category → page 43	535967	JMFH-5/2-D-2-S-C-EX
	With dominant signal at 14	Internal	820	–	151853	JMFDH-5/2-D-2-C
				ATEX category → page 43	536072	JMFDH-5/2-D-2-C-EX
<b>5/3-way valve</b>						
	Normally closed, mechanical spring return	Internal	820	–	151854	MFH-5/3G-D-2-C
				ATEX category → page 43	535970	MFH-5/3G-D-2-C-EX
	Normally closed, mechanical spring return	External	820	–	151024	MFH-5/3G-D-2-S-C
				ATEX category → page 43	535973	MFH-5/3G-D-2-S-C-EX
	Normally exhausted, mechanical spring return	Internal	820	–	151855	MFH-5/3E-D-2-C
				ATEX category → page 43	535976	MFH-5/3E-D-2-C-EX
	Normally exhausted, mechanical spring return	External	820	–	151025	MFH-5/3E-D-2-S-C
				ATEX category → page 43	535979	MFH-5/3E-D-2-S-C-EX
	Normally open, mechanical spring return	Internal	820	–	151856	MFH-5/3B-D-2-C
				ATEX category → page 43	535982	MFH-5/3B-D-2-C-EX
	Normally open, mechanical spring return	External	820	–	151026	MFH-5/3B-D-2-S-C
				ATEX category → page 43	535985	MFH-5/3B-D-2-S-C-EX

1) Solenoid coils → page 136

Datasheet – Width 65 mm

-  - Flow rate  
Up to 4600 l/min



General technical data		MFH- ... -C, JMF- ... -C	MFH- ... -EX, JMF- ... -EX
Type			
Design		Piston spool	Piston spool
Sealing principle		Soft	Soft
Actuation type		Electrical	Electrical
Type of control		Piloted	Piloted
Flow direction	With external pilot air supply	Reversible	Reversible
	With internal pilot air supply	Not reversible	Not reversible
Exhaust air function		Can be throttled	Can be throttled
Manual override		Non-detenting, detenting via accessory	Non-detenting, detenting via accessory
Type of mounting		On sub-base, with through-hole and screw	
Mounting position		Any	Any
Nominal width	[mm]	14.5	14.5
Overlap		Positive overlap	Positive overlap
Width	[mm]	65	65
Grid dimension	[mm]	71	71
Pneumatic connections		Sub-base size 3 to ISO 5599-1	Sub-base size 3 to ISO 5599-1
Noise level	[dB (A)]	85	85
Conforms to standard		ISO 5599-1	ISO 5599-1
Maritime classification <sup>1)</sup>		See certificate	–

1) Additional information: [www.festo.com/catalogue/...](http://www.festo.com/catalogue/...) → Support/Downloads.

Flow rates					
Valve function		5/2-way valve	5/3-way valve		
			Normally closed	Normally exhausted	Normally open
Standard nominal flow rate	[l/min]	4500	4100	4600	4000

Switching times [ms]					
		Switching time on	Switching time off	Switching time changeover	Switching time changeover (dominant)
	MFH-5/2-D-1-FR-...	28	79	–	–
5/2-way valve, double solenoid	JMFH-...	–	–	18	–
	JMFDH-...	–	–	18	18
5/3-way valve	MFH-5/3G-...	36	77	–	–
	MFH-5/3E-...	37	78	–	–
	MFH-5/3B-...	36	75	–	–

## Datasheet – Width 65 mm

<b>ATEX</b>	
Type	MFH- ... -EX, JMFH- ... -EX, JMFDH- ... -EX
ATEX category for gas	II 2G
Type of (ignition) protection for gas	Ex h IIC T4 Gb
ATEX category for dust	II 2D
Type of (ignition) protection for dust	Ex h IIIC T105°C Db
Explosion ambient temperature	[°C] -5 ≤ Ta ≤ +40
Explosion protection certification outside EU	EPL Db (GB)
	EPL Gb (GB)
CE marking (see declaration of conformity) <sup>1)</sup>	To EU Explosion Protection Directive (ATEX)
UKCA marking (see declaration of conformity) <sup>1)</sup>	To UK regulations for explosions

1) Additional information: [www.festo.com/catalogue/...](http://www.festo.com/catalogue/...) → Support/Downloads.

<b>Operating and environmental conditions</b>				
Reset method		Pneumatic spring		Mechanical spring
Operating medium		Compressed air to ISO 8573-1:2010 [7:4:4]		
Pilot medium		Compressed air to ISO 8573-1:2010 [7:4:4]		
Note on the operating/pilot medium		Lubricated operation possible (required for further operation)		
Operating pressure	Internal pilot air supply	[MPa]	0.2 ... 1	0.3 ... 1
		[bar]	2 ... 10	3 ... 10
	External pilot air supply	[MPa]	-0.09 ... +1.6	-0.09 ... +1.6
		[bar]	-0.9 ... +16	-0.9 ... +16
Pilot pressure	[bar]	2 ... 10	3 ... 10	
Ambient temperature	[°C]	-5 ... +40		
Temperature of medium	[°C]	-10 ... +60		

<b>Safety data</b>		
Max. positive test pulse with 0 signal	[µs]	2200
Max. negative test pulse with 1 signal	[µs]	3700
Shock resistance	Shock test with severity level 2 to FN 942017-5 and EN 60068-2-27	
Vibration resistance	Transport application test with severity level 1 to FN 942017-4 and EN 60068-2-6	

<b>Electrical data</b>	
Electrical connection	Via F coil, to be ordered separately
Degree of protection to EN 60529	IP65

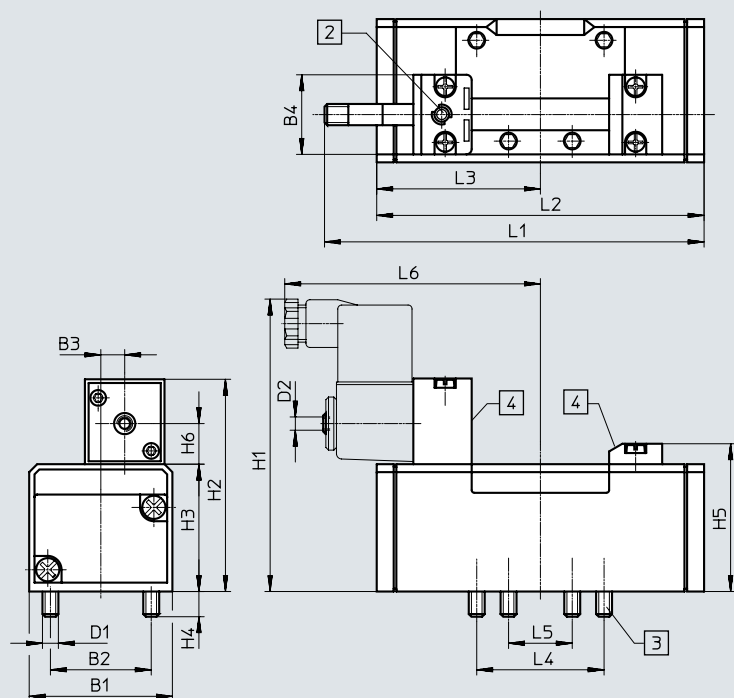
<b>Materials</b>	
Housing	Die-cast aluminium
Seals	HNBR, NBR
Note on materials	RoHS-compliant

Datasheet – Width 65 mm

Dimensions

Download CAD data → [www.festo.com](http://www.festo.com)

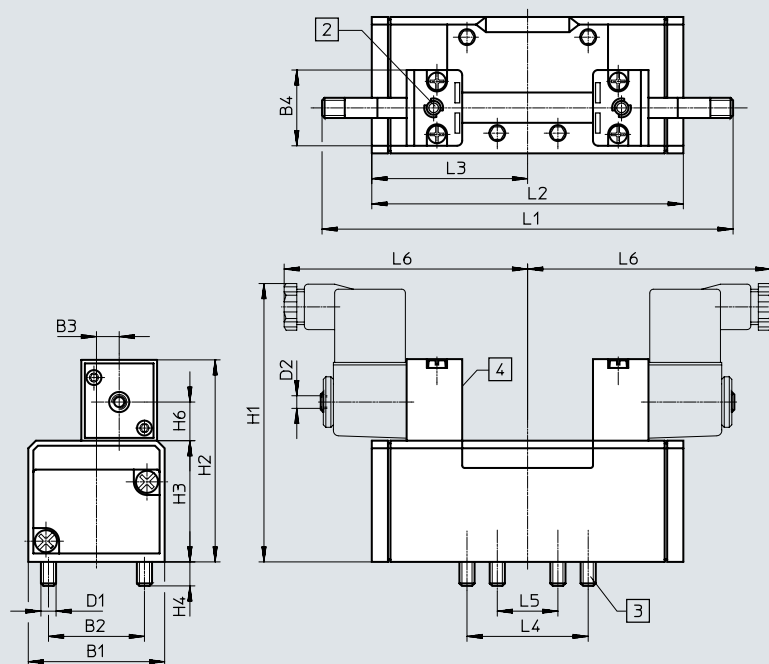
5/2-way valve, single solenoid



- [2] Manual override
- [3] Captive retaining screws
- [4] Slot for inscription label

Type	B1	B2	B3	B4	D1	D2	H1	H2	H3	H4	H5	H6	L1	L2	L3	L4	L5	L6
MFH-5/2- ...	65	48	12	30	M8	M5	117	87.3	55	12	63.5	13.5	163	145.4	72.7	64	32	109
MFH-5/2- ... -FR- ...													182	164.7				

5/2-way double solenoid valves, 5/3-way valves

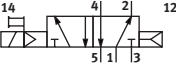
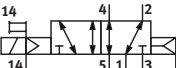

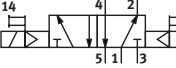
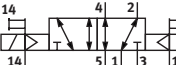
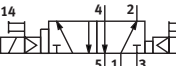
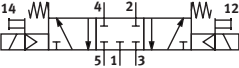
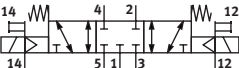

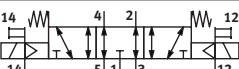
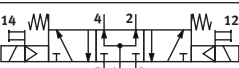
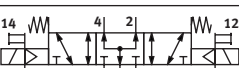


- [2] Manual override
- [3] Captive retaining screws
- [4] Slot for inscription label

Type	B1	B2	B3	B4	D1	D2	H1	H2	H3	H4	H5	H6	L1	L2	L3	L4	L5	L6
JMFH-5/2- ...	65	48	12	30	M8	M5	117	87.3	55	12	-	13.5	181	145.4	72.7	64	32	109
JMFDH-5/2- ...														145.4	72.7			
MFH-5/3...														184	92			




## Ordering data – Width 65 mm

Ordering data – Valves with armature tube for solenoid coil MSF <sup>1)</sup>						
Circuit symbol	Description	Pilot air supply	Weight [g]		Part no.	Type
<b>5/2-way valve, single solenoid</b>						
	Pneumatic spring return	Internal	960	–	<b>151870</b>	<b>MFH-5/2-D-3-C</b>
				ATEX category → page 47	<b>535956</b>	<b>MFH-5/2-D-3-C-EX</b>
	Pneumatic spring return	External	960	–	<b>151032</b>	<b>MFH-5/2-D-3-S-C</b>
				ATEX category → page 47	<b>535959</b>	<b>MFH-5/2-D-3-S-C-EX</b>
	Mechanical spring return	Internal	960	–	<b>151711</b>	<b>MFH-5/2-D-3-FR-C</b>
				ATEX category → page 47	<b>535962</b>	<b>MFH-5/2-D-3-FR-C-EX</b>
<b>5/2-way valve, double solenoid</b>						
	–	Internal	1060	–	<b>151871</b>	<b>JMFH-5/2-D-3-C</b>
				ATEX category → page 47	<b>535965</b>	<b>JMFH-5/2-D-3-C-EX</b>
	–	External	1060	–	<b>151033</b>	<b>JMFH-5/2-D-3-S-C</b>
				ATEX category → page 47	<b>535968</b>	<b>JMFH-5/2-D-3-S-C-EX</b>
	With dominant signal at 14	Internal	1060	–	<b>151872</b>	<b>JMFDH-5/2-D-3-C</b>
				ATEX category → page 47	<b>536073</b>	<b>JMFDH-5/2-D-3-C-EX</b>
<b>5/3-way valve</b>						
	Normally closed, mechanical spring return	Internal	1040	–	<b>151873</b>	<b>MFH-5/3G-D-3-C</b>
				ATEX category → page 47	<b>535971</b>	<b>MFH-5/3G-D-3-C-EX</b>
	Normally closed, mechanical spring return	External	1040	–	<b>151034</b>	<b>MFH-5/3G-D-3-S-C</b>
				ATEX category → page 47	<b>535974</b>	<b>MFH-5/3G-D-3-S-C-EX</b>
	Normally exhausted, mechanical spring return	Internal	1040	–	<b>151874</b>	<b>MFH-5/3E-D-3-C</b>
				ATEX category → page 47	<b>535977</b>	<b>MFH-5/3E-D-3-C-EX</b>
	Normally exhausted, mechanical spring return	External	1040	–	<b>151035</b>	<b>MFH-5/3E-D-3-S-C</b>
				ATEX category → page 47	<b>535980</b>	<b>MFH-5/3E-D-3-S-C-EX</b>
	Normally open, mechanical spring return	Internal	1040	–	<b>151875</b>	<b>MFH-5/3B-D-3-C</b>
				ATEX category → page 47	<b>535983</b>	<b>MFH-5/3B-D-3-C-EX</b>
	Normally open, mechanical spring return	External	1040	–	<b>151036</b>	<b>MFH-5/3B-D-3-S-C</b>
				ATEX category → page 47	<b>535986</b>	<b>MFH-5/3B-D-3-S-C-EX</b>

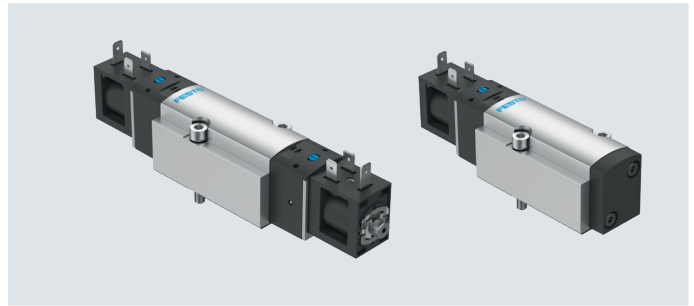
1) Solenoid coils → page 136

# Solenoid valves VSVA, with square plug type B to industry standard

## Datasheet – Width 38 mm

-  - Flow rate  
Max. 1343 l/min

-  - Voltage  
24 V DC



General technical data					
Valve function		5/2-way, single solenoid		5/2-way, double solenoid	5/3-way, exhausted
Reset method		Pneumatic spring	Mechanical spring	–	Mechanical spring
Design		Piston spool with sealing ring			
Overlap		Negative overlap			
Sealing principle		Soft			
Actuation type		Electrical			
Type of control		Piloted			
Pilot air supply		Internal			
Flow direction		Not reversible			
Exhaust air function		Can be throttled			
Manual override		Non-detenting; detenting			
Type of mounting		On sub-base			
Mounting position		Any			
Nominal width	[mm]	6.3			
Valve size	[mm]	42			
Width	[mm]	38			
Grid dimension	[mm]	43			
Pneumatic port	1, 2, 3, 4, 5	Sub-base size 1 to ISO 5599-1			
Port for venting hole		Not ducted			
b value		0.26	0.26	0.26	0.26
C value	[l/sbar]	5.87	5.88	5.91	5.63
Maximum assembly torque for valve mounting	[Nm]	5			
Product weight	[g]	321	324	400	402
Conforms to standard		ISO 5599-1			
ISO code		151	152	155	157

Flow rates					
Valve function		5/2-way, single solenoid		5/2-way, double solenoid	5/3-way, exhausted
Reset method		Pneumatic spring	Mechanical spring	–	Mechanical spring
Flow rate of valve	[l/min]	1342	1343	1341	1289
Flow rate of valve on individual sub-base	[l/min]	1341	1342	1341	1289
Flow rate of pneumatically linked valve	[l/min]	1313	1313	1313	1283
Standard nominal flow rate	[l/min]	1200	1200	1200	1200

Switching times					
Valve function		5/2-way, single solenoid		5/2-way, double solenoid	5/3-way, exhausted
Reset method		Pneumatic spring	Mechanical spring	–	Mechanical spring
Switching time on	[ms]	17.3	19.9	–	12.4
Switching time off	[ms]	20.7	20.9	–	37.4
Switching time changeover	[ms]	–	–	10.5	18.9

## Datasheet – Width 38 mm

Safety data		
Max. positive test pulse with 0 signal	[µs]	2500
Max. negative test pulse with 1 signal	[µs]	1100
Shock resistance		Shock test with severity level 2 to FN 942017-5 and EN 60068-2-27
Vibration resistance		Transport application test with severity level 2 to FN 942017-4 and EN 60068-2-6

Operating and environmental conditions		
Operating medium		Compressed air to ISO 8573-1:2010 [7:4:4]
Pilot medium		Compressed air to ISO 8573-1:2010 [7:4:4]
Note on the operating/pilot medium		Lubricated operation possible (required for further operation)
Operating pressure	[MPa]	0.3 ... 0.8
	[bar]	3 ... 8
Ambient temperature	[°C]	-5 ... +50
Temperature of medium	[°C]	-5 ... +50
Corrosion resistance class CRC <sup>1)</sup>		1 - Low corrosion stress

1) For additional information [www.festo.com/x/topic/crc](http://www.festo.com/x/topic/crc)

Electrical data		
Electrical connection		Form B
		To industry standard (11 mm)
Nominal operating voltage	[V DC]	24
Characteristic coil data		24 V DC: 3.3 W
Permissible voltage fluctuations	[%]	±10
Duty cycle	[%]	100
Degree of protection		IP65
		With plug socket
		To IEC 60529
Signal status indication		Via accessories

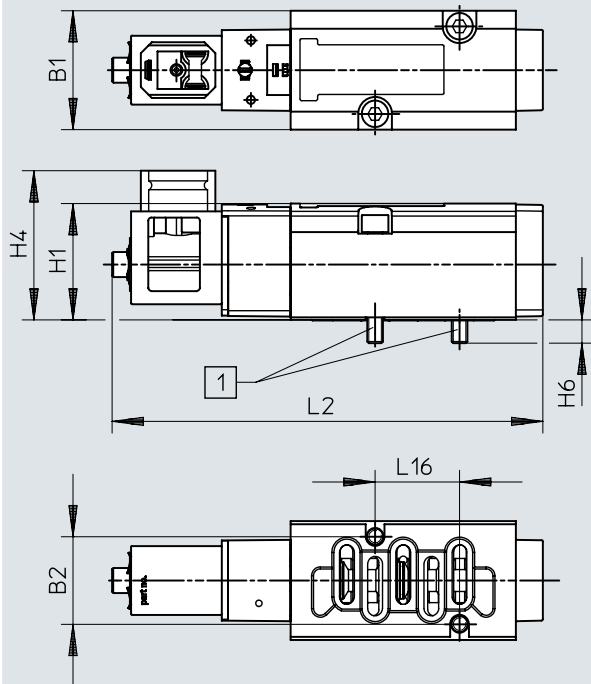
Materials	
Housing	Wrought aluminium alloy
Seals	NBR, HNBR
Piston spool	Wrought aluminium alloy
Screws	Galvanised steel
Note on materials	RoHS-compliant
LABS (PWIS) conformity	VDMA24364 zone III

Datasheet – Width 38 mm

Dimensions

Download CAD data → [www.festo.com](http://www.festo.com)

5/2-way valve, single solenoid



[1] Retaining screws M5

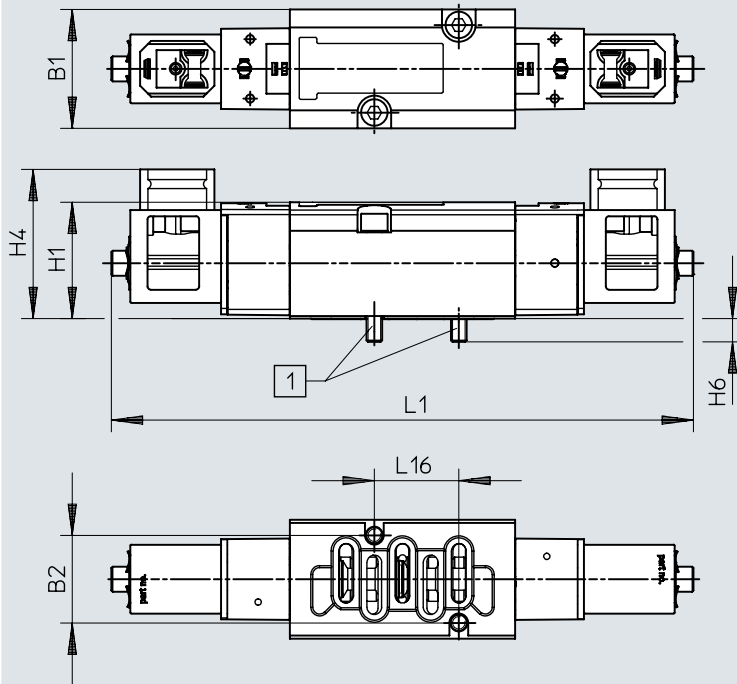
Type	B1	B2	H1	H4	H6	L2	L16
VSVA-BK-M52...	38	28	37.2	47.7	7.5	137.6	27

Datasheet – Width 38 mm

Dimensions

Download CAD data → [www.festo.com](http://www.festo.com)

5/2-way double solenoid valve and 5/3-way solenoid valve




[1] Retaining screws M5

Type	B1	B2	H1	H4	H6	L1	L16
VSVA-BK-B52...	38	28	37.2	47.7	7.5	186.1	27
VSVA-BK-P53...							

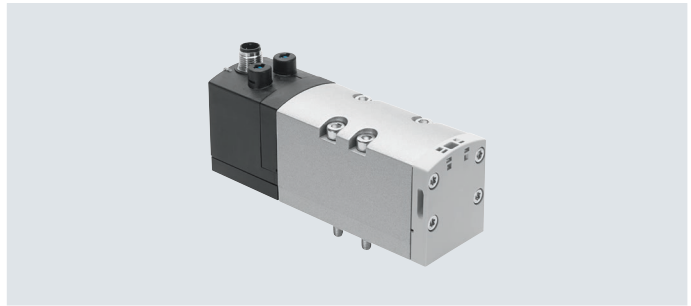
Ordering data

Code	Circuit symbol		Part no.	Type
<b>5/2-way valve, single solenoid</b>				
-		Mechanical spring	Internal pilot air supply	<b>8166594</b> VSVA-BK-M52-MD-D1-1B2
-		Pneumatic spring	Internal pilot air supply	<b>8166593</b> VSVA-BK-M52-AD-D1-1B2
<b>5/2-way valve, double solenoid</b>				
-		-	Internal pilot air supply	<b>8166592</b> VSVA-BK-B52-D-D1-1B2
<b>5/3-way solenoid valve</b>				
-		Normally exhausted	Internal pilot air supply	<b>8166595</b> VSVA-BK-P53E-D-D1-1B2

## Datasheet – Width 42 mm

-  - Flow rate  
Up to 1300 l/min

-  - Voltage  
24 V DC



### General technical data

Design	Piston spool
Sealing principle	Soft
Actuation type	Electrical
Type of control	Piloted
Exhaust air function	Can be throttled, externally or via vertically stacked throttle plate
Manual override	Non-detenting, detenting
Type of mounting	On sub-base
Mounting position	Any
Nominal width [mm]	11
Overlap	Positive overlap
Width [mm]	42
Grid dimension [mm]	43
Pneumatic connections	Sub-base size 1 to ISO 5599-1
Conforms to standard	ISO 5599-1
Certification	c UL us – Recognized (OL)

### Flow rates

Valve function	2/2-way valve	3/2-way valve	5/2-way valve	5/3-way valve
Standard nominal flow rate [l/min]	1300	1100	1300	1300
Valve	1600	1600	2000	1900
Valve on individual sub-base	1400	1200	1400	1400
Valve, pneumatically linked	1300	1100	1300	1400

### Switching times [ms]

		Switching time on	Switching time off	Switching time changeover	Switching time changeover (dominant)
2x 2/2-way valve	VSVA-B-T22...	20	38	–	–
2x 3/2-way valve	VSVA-B-T32...	20	38	–	–
2x 3/2-way valve, reversible	VSVA-B-T32...	34	28	–	–
5/2-way valve, single solenoid	VSVA-B-M52-A...	27	45	–	–
	VSVA-B-M52-M...	22	60	–	–
5/2-way valve, double solenoid	VSVA-B-B52...	–	–	16	–
	VSVA-B-D52...	–	–	–	19
5/3-way valve	VSVA-B-P53...	22	65	–	–

## Datasheet – Width 42 mm

Operating and environmental conditions						
Valve function			2x 2/2-way valve	2x 3/2-way valve	2x 3/2-way valve, reversible	5/2-way valve 5/3-way valve
Operating medium	Compressed air to ISO 8573-1:2010 [7:4:4]					
Pilot medium	Compressed air to ISO 8573-1:2010 [7:4:4]					
Note on the operating/pilot medium	Lubricated operation possible (required for further operation)					
Operating pressure	Internal pilot air supply	[MPa]	0.3 ... 1	0.3 ... 1	–	0.3 ... 1
		[bar]	3 ... 10	3 ... 10	–	3 ... 10
	External pilot air supply	[MPa]	0.3 ... 1	0.3 ... 1	–0.09 ... +1	–0.09 ... +1.6
		[bar]	3 ... 10	3 ... 10	–0.9 ... +10	–0.9 ... +16
Pilot pressure	[MPa]	0.3 ... 1				
	[bar]	3 ... 10				
Ambient temperature	[°C]	–5 ... +50				
Relative humidity	[%]	0 ... 90				

Safety data					
Valve function			2x 3/2-way valve	5/2-way valve	5/2-way valve, with dominant signal at 14 5/3-way valve
Max. positive test pulse with 0 signal	[µs]	1600	1400	1600	1400
Max. negative test pulse with 1 signal	[µs]	1100	900	1100	900
Shock resistance	Shock test with severity level 2 to FN 942017-5 and EN 60068-2-27				
Vibration resistance	Transport application test with severity level 2 to FN 942017-4 and EN 60068-2-6				

Electrical data					
Valve function			2x 2/2-way valve	2x 3/2-way valve	5/2-way valve 5/3-way valve
Electrical connection	Central plug, round design M12x1, 3-pin				
Signal status indication	LED				
Characteristic coil data	Voltage	[V DC]	24		
	Power	[W]	1.3	1.3	1.6
Permissible voltage fluctuations	[%]	±10			
Duty cycle	[%]	100			
Degree of protection to EN 60529	IP65, NEMA4 (in combination with a plug socket)				

Materials	
Housing	PA
Seals	NBR, FPM
Screws	Galvanised steel
Note on materials	RoHS-compliant
LABS (PWIS) conformity	VDMA24364-B1/B2-L

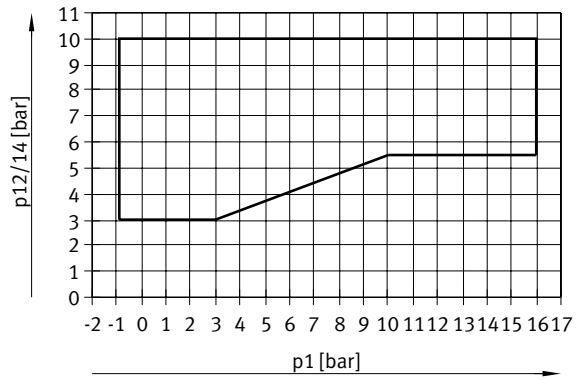
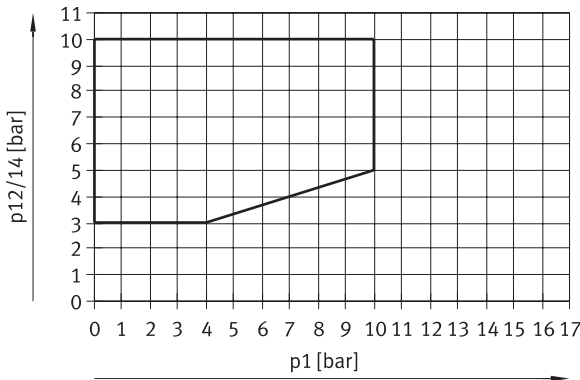
Product weight		
2x 2/2-way valve	[g]	442
2x 3/2-way valve	[g]	442
5/2-way valve, single solenoid	[g]	426
5/2-way valve, double solenoid	[g]	439
5/3-way valve	[g]	456

Datasheet – Width 42 mm

Pilot pressure p12/14 as a function of working pressure p1

2x 2/2-way valve and 2x 3/2-way valve

5/2-way valve and 5/3-way valve, external pilot air supply

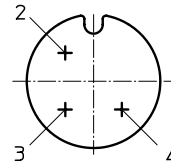
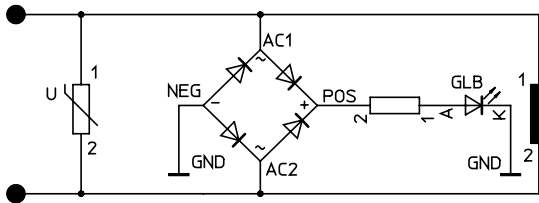


Protective circuit

Each solenoid coil VSVA is provided with a spark arresting protective circuit and protected against polarity reversal.

24 V DC version

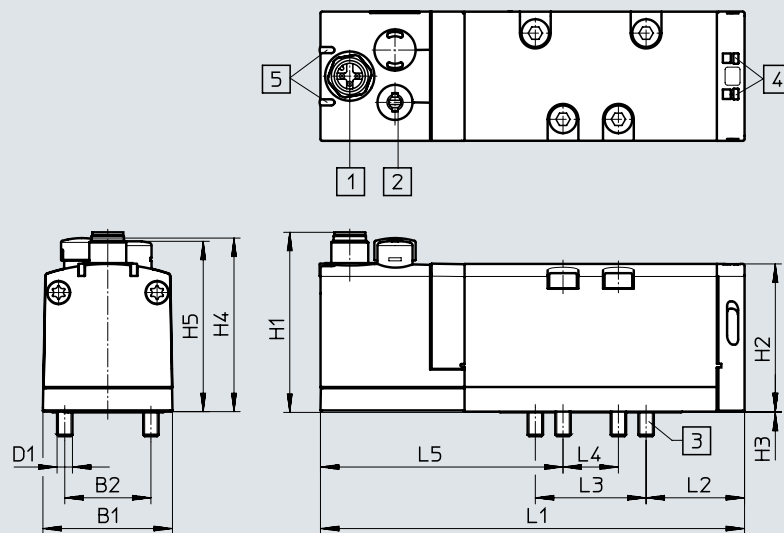
M12x1 – Pin allocation on the valve



- 2 Signal (+) Solenoid 12
- 3 com (-)
- 4 Signal (+) Solenoid 14

Dimensions

Download CAD data → [www.festo.com](http://www.festo.com)



- [1] Plug, 3-pin
- [2] Manual override
- [3] Captive screws M5x48
- [4] Slot for inscription label
- [5] LED

Type	B1	B2	D1	H1	H2	H3	H4	H5	L1	L2	L3	L4	L5
VSVA-B-...-D1-1R5L	42	28	M5	58.3	48	0.25	46.6	55.3	137.8	32	36	18	69.3




Ordering data – Width 42 mm

Ordering data Circuit symbol	Description	Flow direction	Pilot air supply	Part no.	Type
<b>2x 2/2-way valve</b>					
	2x normally closed, pneumatic spring return	Not reversible	Internal	Order via online configurator → Internet: vsva	
	2x normally closed, pneumatic spring return	Not reversible	External		
	2x normally closed, vacuum operation possible at 3 and 5, pneumatic spring return	Reversible	Internal		
<b>2x 3/2-way valve</b>					
	2x normally closed, pneumatic spring return	Not reversible	Internal	<b>561359</b>	<b>VSVA-B-T32C-AD-D1-1R5L</b>
	2x normally closed, pneumatic spring return	Not reversible	External	<b>561369</b>	<b>VSVA-B-T32C-AZD-D1-1R5L</b>
	2x normally open, pneumatic spring return	Not reversible	Internal	<b>561360</b>	<b>VSVA-B-T32U-AD-D1-1R5L</b>
	2x normally open, pneumatic spring return	Not reversible	External	<b>561370</b>	<b>VSVA-B-T32U-AZD-D1-1R5L</b>
	1x normally closed, 1x normally open, pneumatic spring return	Not reversible	Internal	<b>561361</b>	<b>VSVA-B-T32H-AD-D1-1R5L</b>
	1x normally closed, 1x normally open, pneumatic spring return	Not reversible	External	<b>561371</b>	<b>VSVA-B-T32H-AZD-D1-1R5L</b>
<b>2x 3/2-way valve, reversible</b>					
	2x normally closed, pneumatic spring return	Reversible	External	Order via online configurator → Internet: vsva	
	2x normally open, pneumatic spring return	Reversible	External		
	1x normally closed, 1x normally open, pneumatic spring return	Reversible	External		

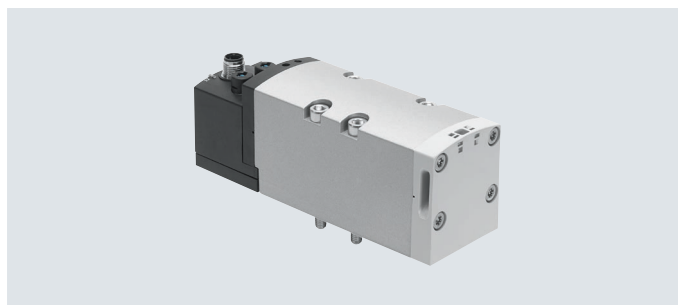
### Ordering data – Width 42 mm

Ordering data Circuit symbol	Description	Flow direction	Pilot air supply	Part no.	Type
<b>5/2-way valve, single solenoid</b>					
	Pneumatic spring return	Not reversible	Internal	561362	VSVA-B-M52-AD-D1-1R5L
	Mechanical spring return	Not reversible	Internal	561363	VSVA-B-M52-MD-D1-1R5L
	Pneumatic spring return	Reversible	External	561372	VSVA-B-M52-AZD-D1-1R5L
	Mechanical spring return	Reversible	External	561373	VSVA-B-M52-MZD-D1-1R5L
<b>5/2-way valve, double solenoid</b>					
	Dominance at 1st signal	Not reversible	Internal	561364	VSVA-B-B52-D-D1-1R5L
	Dominance at 1st signal	Reversible	External	561374	VSVA-B-B52-ZD-D1-1R5L
	With dominant signal at 14	Not reversible	Internal	561365	VSVA-B-D52-D-D1-1R5L
	With dominant signal at 14	Reversible	External	561375	VSVA-B-D52-ZD-D1-1R5L
<b>5/3-way valve</b>					
	Normally closed, mechanical spring return	Not reversible	Internal	561366	VSVA-B-P53C-D-D1-1R5L
	Normally closed, mechanical spring return	Reversible	External	561376	VSVA-B-P53C-ZD-D1-1R5L
	Normally open, mechanical spring return	Not reversible	Internal	561368	VSVA-B-P53U-D-D1-1R5L
	Normally open, mechanical spring return	Reversible	External	561378	VSVA-B-P53U-ZD-D1-1R5L
	Exhausted in normal position, mechanical spring return	Not reversible	Internal	561367	VSVA-B-P53E-D-D1-1R5L
	Exhausted in normal position, mechanical spring return	Reversible	External	561377	VSVA-B-P53E-ZD-D1-1R5L

## Datasheet – Width 52 mm

-  - Flow rate  
Up to 2800 l/min

-  - Voltage  
24 V DC

**General technical data**

Design	Piston spool
Sealing principle	Soft
Actuation type	Electrical
Type of control	Piloted
Exhaust air function	Can be throttled, externally or via vertically stacked throttle plate
Manual override	Non-detenting, detenting
Type of mounting	On sub-base
Mounting position	Any
Nominal width [mm]	52
Overlap	Positive overlap
Width [mm]	52
Grid dimension [mm]	59
Pneumatic connections	Sub-base size 2 to ISO 5599-1
Conforms to standard	ISO 5599-1
Certification	c CSA us (OL) c UL us – Recognized (OL) C-Tick

**Flow rates**

Valve function		2/2-way valve	3/2-way valve	5/2-way valve	5/3-way valve
Standard nominal flow rate [l/min]		2800	2200	2800	2700
Valve		4000	3000	4000	3600
Valve on individual sub-base		2400	2000	2400	2300
Valve, pneumatically linked		2800	2200	2800	2700

**Switching times [ms]**

		Switching time on	Switching time off	Switching time changeover	Switching time changeover (dominant)
2x 2/2-way valve	VSVA-B-T22...	14	35	–	–
2x 3/2-way valve	VSVA-B-T32...	20	35	–	–
2x 3/2-way valve, reversible	VSVA-B-T32...	30	30	–	–
5/2-way valve, single solenoid	VSVA-B-M52-A...	40	45	–	–
	VSVA-B-M52-M...	20	60	–	–
5/2-way valve, double solenoid	VSVA-B-B52...	–	–	18	–
	VSVA-B-D52...	–	–	–	18
5/3-way valve	VSVA-B-P53...	23	60	–	–

## Datasheet – Width 52 mm

Operating and environmental conditions			2x 2/2-way valve	2x 3/2-way valve	2x 3/2-way valve, reversible	5/2-way valve	5/3-way valve
Valve function							
Operating medium			Compressed air to ISO 8573-1:2010 [7:4:4]				
Pilot medium			Compressed air to ISO 8573-1:2010 [7:4:4]				
Note on the operating/pilot medium			Lubricated operation possible (required for further operation)				
Operating pressure	Internal pilot air supply	[MPa]	0.3 ... 1	0.3 ... 1	–	0.3 ... 1	0.3 ... 1
		[bar]	3 ... 10	3 ... 10	–	3 ... 10	3 ... 10
	External pilot air supply	[MPa]	0.3 ... 1	0.3 ... 1	–0.09 ... +1	–0.09 ... +1.6	–0.09 ... +1.6
		[bar]	3 ... 10	3 ... 10	–0.9 ... +10	–0.9 ... +16	–0.9 ... +16
Pilot pressure	[MPa]	0.3 ... 1					
	[bar]	3 ... 10					
Ambient temperature		[°C]	–5 ... +50				
Relative humidity		[%]	0 ... 90				
CE marking (see declaration of conformity)			To EU EMC Directive <sup>1)</sup>				
UKCA marking (see declaration of conformity) <sup>1)</sup>			To UK EMC regulations				
			To UK RoHS regulations				
KC marking			KC EMC				

1) For information about the area of use, see the EC declaration of conformity at: [www.festo.com/catalogue/...](http://www.festo.com/catalogue/...) → Support/Downloads.

If the devices are subject to usage restrictions in residential, commercial or light-industrial environments, further measures for the reduction of the emitted interference may be necessary.

## Safety data

Max. positive test pulse with 0 signal	[µs]	1000
Max. negative test pulse with 1 signal	[µs]	3500
Shock resistance	Shock test with severity level 2 to FN 942017-5 and EN 60068-2-27	
Vibration resistance	Transport application test with severity level 2 to FN 942017-4 and EN 60068-2-6	

## Electrical data

Electrical connection			Central plug, round design M12x1, 3-pin
Signal status indication			LED
Characteristic coil data	Voltage	[V DC]	24
	Power	[W]	4.6
Permissible voltage fluctuations	[%]	±10	
Nominal pick-up current per solenoid coil	[mA]	165	
Nominal current with current reduction	[mA]	35	
Time until current reduction	[ms]	30	
Duty cycle	[%]	100	
Degree of protection to EN 60529			IP65, NEMA4 (in combination with a plug socket)

## Materials

Housing	Die-cast aluminium, PA		
Seals	HNBR, NBR, FPM		
Screws	Galvanised steel		
Note on materials	RoHS-compliant		
LABS (PWIS) conformity	VDMA24364-B1/B2-L		

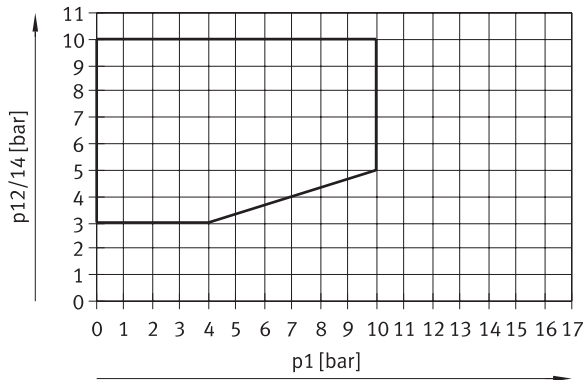
## Product weight

2x 2/2-way valve	[g]	740
2x 3/2-way valve	[g]	740
5/2-way valve, single solenoid	[g]	702
5/2-way valve, double solenoid	[g]	732
5/3-way valve	[g]	780

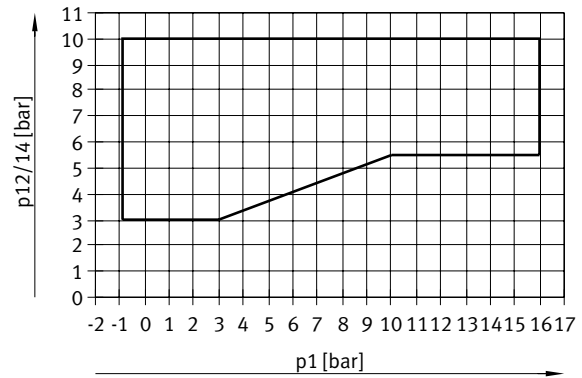
Datasheet – Width 52 mm

Pilot pressure p12/14 as a function of working pressure p1

2x 2/2-way valve and 2x 3/2-way valve



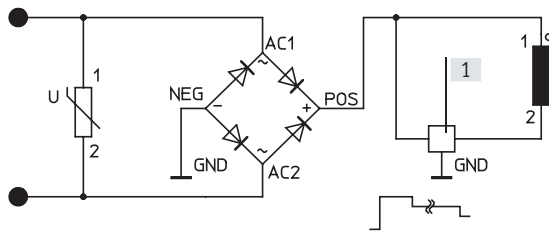
5/2-way valve and 5/3-way valve, external pilot air supply



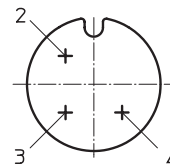
Protective circuit

Each solenoid coil VSVA is provided with a spark arresting protective circuit and protected against polarity reversal.

24 V DC version



M12x1 – Pin allocation on the valve

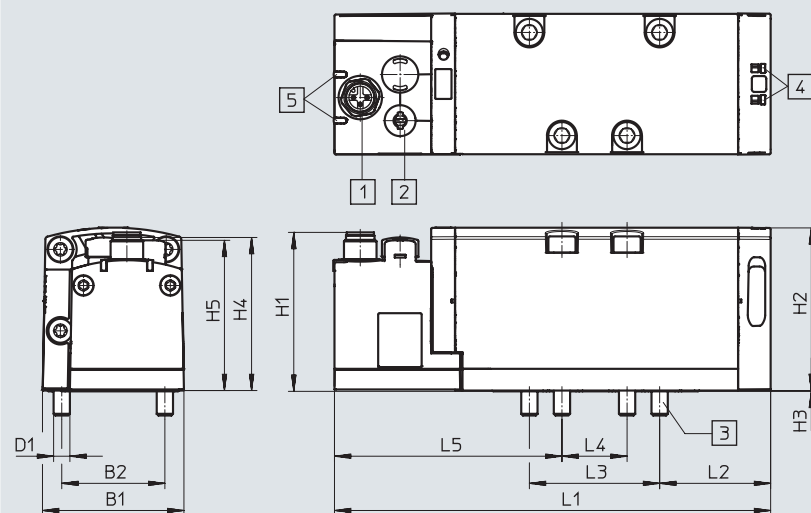


- 2 Signal (+) Solenoid 12
- 3 com (-)
- 4 Signal (+) Solenoid 14

[1] Holding current reduction

Dimensions

Download CAD data → [www.festo.com](http://www.festo.com)



[1] Plug, 3-pin

[3] Captive screws M6x60

[4] Slot for inscription label

[5] LED

[2] Manual override

Type	B1	B2	D1	H1	H2	H3	H4	H5	L1	L2	L3	L4	L5
VSVA-B-...-D2-1R5L	52	38	M6	58.3	60	0.3	56.4	55.3	160.7	40.9	48	24	64.3


## Ordering data – Width 52 mm

Ordering data Circuit symbol	Description	Flow direction	Pilot air supply	Part no.	Type
<b>2x 2/2-way valve</b>					
	2x normally closed, pneumatic spring return	Not reversible	Internal	Order via online configurator → Internet: vsva	
	2x normally closed, pneumatic spring return	Not reversible	External		
<b>2x 3/2-way valve</b>					
	2x normally closed, pneumatic spring return	Not reversible	Internal	<b>566990</b>	<b>VSVA-B-T32C-AD-D2-1R5L</b>
	2x normally closed, pneumatic spring return	Not reversible	External	<b>567000</b>	<b>VSVA-B-T32C-AZD-D2-1R5L</b>
	2x normally open, pneumatic spring return	Not reversible	Internal	<b>566991</b>	<b>VSVA-B-T32U-AD-D2-1R5L</b>
	2x normally open, pneumatic spring return	Not reversible	External	<b>567001</b>	<b>VSVA-B-T32U-AZD-D2-1R5L</b>
	1x normally closed, 1x normally open, pneumatic spring return	Not reversible	Internal	<b>566992</b>	<b>VSVA-B-T32H-AD-D2-1R5L</b>
	1x normally closed, 1x normally open, pneumatic spring return	Not reversible	External	<b>567002</b>	<b>VSVA-B-T32H-AZD-D2-1R5L</b>
<b>2x 3/2-way valve, reversible</b>					
	2x normally closed, pneumatic spring return	Reversible	External	Order via online configurator → Internet: vsva	
	2x normally open, pneumatic spring return	Reversible	External		
	1x normally closed, 1x normally open, pneumatic spring return	Reversible	External		

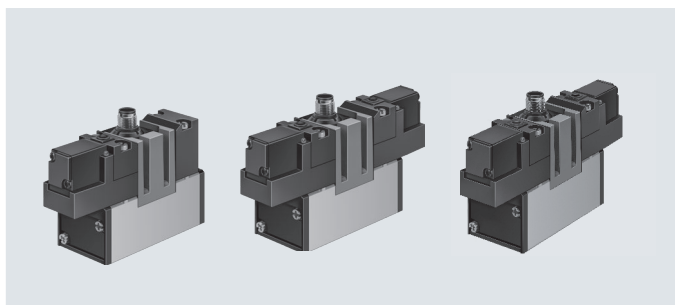
## Ordering data – Width 52 mm

Ordering data Circuit symbol	Description	Flow direction	Pilot air supply	Part no.	Type
<b>5/2-way valve, single solenoid</b>					
	Pneumatic spring return	Not reversible	Internal	566993	VSVA-B-M52-AD-D2-1R5L
	Pneumatic spring return	Reversible	External	567003	VSVA-B-M52-AZD-D2-1R5L
	Mechanical spring return	Not reversible	Internal	566994	VSVA-B-M52-MD-D2-1R5L
	Mechanical spring return	Reversible	External	567004	VSVA-B-M52-MZD-D2-1R5L
<b>5/2-way valve, double solenoid</b>					
	Dominance at 1st signal	Not reversible	Internal	566995	VSVA-B-B52-D-D2-1R5L
	Dominance at 1st signal	Reversible	External	567005	VSVA-B-B52-ZD-D2-1R5L
	With dominant signal at 14	Not reversible	Internal	566996	VSVA-B-D52-D-D2-1R5L
	With dominant signal at 14	Reversible	External	567006	VSVA-B-D52-ZD-D2-1R5L
<b>5/3-way valve</b>					
	Normally closed, mechanical spring return	Not reversible	Internal	566997	VSVA-B-P53C-D-D2-1R5L
	Normally closed, mechanical spring return	Reversible	External	567007	VSVA-B-P53C-ZD-D2-1R5L
	Normally open, mechanical spring return	Not reversible	Internal	566999	VSVA-B-P53U-D-D2-1R5L
	Normally open, mechanical spring return	Reversible	External	567009	VSVA-B-P53U-ZD-D2-1R5L
	Exhausted in normal position, mechanical spring return	Not reversible	Internal	566998	VSVA-B-P53E-D-D2-1R5L
	Exhausted in normal position, mechanical spring return	Reversible	External	567008	VSVA-B-P53E-ZD-D2-1R5L

## Datasheet – Width 65 mm

-  - Flow rate  
Up to 4600 l/min

-  - Voltage  
24 V DC



### General technical data

Design	Piston spool
Sealing principle	Soft
Actuation type	Electrical
Type of control	Piloted
Flow direction	Not reversible
Exhaust air function	Can be throttled
Manual override	Non-detenting
Type of mounting	Via through-hole
Mounting position	Any
Nominal width [mm]	14.5
Width [mm]	65
Grid dimension [mm]	71
Pneumatic connections	Sub-base size 3 to ISO 5599-1
Conforms to standard	ISO 5599-1

### Flow rates

Valve function	5/2-way valve	5/3-way valve		
		Normally closed	Normally exhausted	Normally open
Standard nominal flow rate [l/min]	4500	4100	4600	4000

### Switching times [ms]

		Switching time on	Switching time off	Switching time changeover	Switching time changeover (dominant)
5/2-way valve, single solenoid	MEBH-5/2-...	59	87	–	–
	MEBH-5/2-D-1-ZSR-FR-...	28	109	–	–
5/2-way valve, double solenoid	JMEBH-...	–	–	16	–
	JMEBDH-...	–	–	–	20
5/3-way valve	MEBH-5/3G-...	38	130	–	–
	MEBH-5/3E-...	38	130	–	–
	MEBH-5/3B-...	38	130	–	–



## Datasheet – Width 65 mm

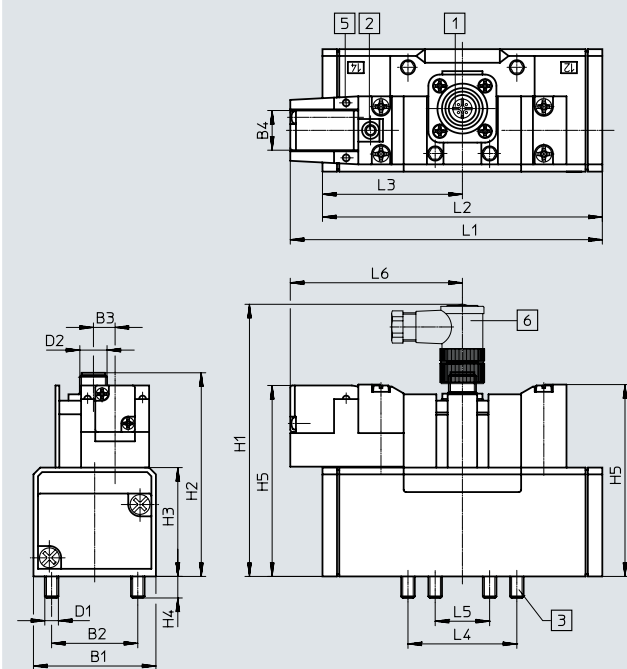
Operating and environmental conditions			
Reset method		Pneumatic spring	Mechanical spring
Operating medium		Compressed air to ISO 8573-1:2010 [7:4:4]	
Pilot medium		Compressed air to ISO 8573-1:2010 [7:4:4]	
Note on the operating/pilot medium		Lubricated operation possible (required for further operation)	
Operating pressure	[MPa]	0.2 ... 1	0.3 ... 1
	[bar]	2 ... 10	3 ... 10
Ambient temperature	[°C]	-5 ... +50	
Temperature of medium	[°C]	-5 ... +50	
Relative humidity	[%]	0 ... 90	
Electrical data			
Electrical connection		Central plug, round design M12x1, 4-pin	
Characteristic coil data	Voltage	[V DC]	24
	Power	[W]	2.5
Degree of protection to EN 60529		IP65	
Materials			
Housing		Die-cast aluminium	
Seals		NBR	
LABS (PWIS) conformity		VDMA24364-B1/B2-L	

## Datasheet – Width 65 mm

### Dimensions

Download CAD data → [www.festo.com](http://www.festo.com)

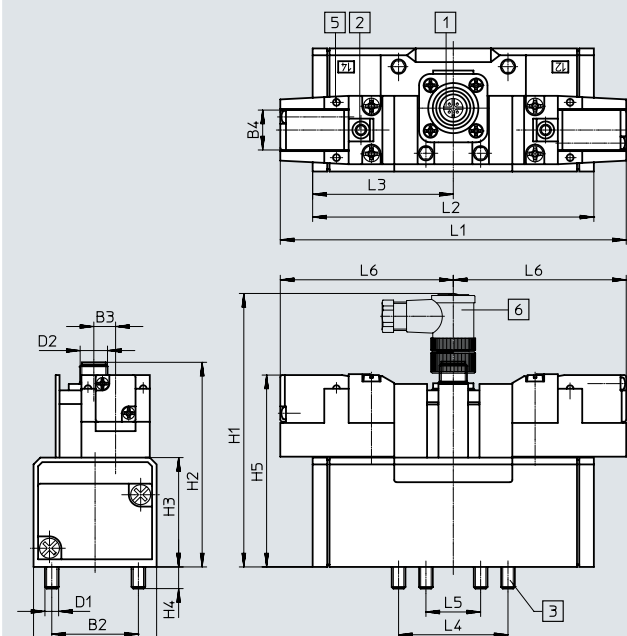
5/2-way valves, single solenoid



- [1] Plug socket mounting adjustable by 3x30°
- [2] Manual override
- [3] Captive retaining screws
- [5] LED indicator
- [6] Angled plug socket SIE-WD-TR  
→ page 138

Type	B1	B2	B3	B4	D1	D2	H1	H2	H3	H4	H5	L1	L2	L3	L4	L5	L6
MEBH-5/2 ...	65	48	12	17.5	M8	M12	130	97.8	55	12	93.1	158.7	145.4	72.7	64	32	86
MEBH-5/2-...-FR-C												178	164.7				

5/2-way double solenoid valves, 5/3-way valves



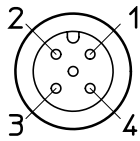
- [1] Plug socket mounting adjustable by 3x30°
- [2] Manual override
- [3] Captive retaining screws
- [5] LED indicator
- [6] Angled plug socket SIE-WD-TR  
→ page 138

Type	B1	B2	B3	B4	D1	D2	H1	H2	H3	H4	H5	L1	L2	L3	L4	L5	L6
JMEBH-5/2- ...	65	48	12	17.5	M8	M12	130	97.8	55	12	93.1	171.9	145.4	72.7	64	32	86
JMEBDH-5/2- ...													145.4	72.7			
MEBH-5/3...													184	92			

## Ordering data – Width 65 mm

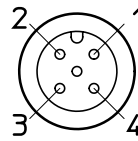
## Central plug M12 – Pin allocation

5/2-way valve



- 1 Unused
- 2 Unused
- 3 com (-)
- 4 Signal (+) Solenoid 14


5/2-way double solenoid valve and 5/3-way valve



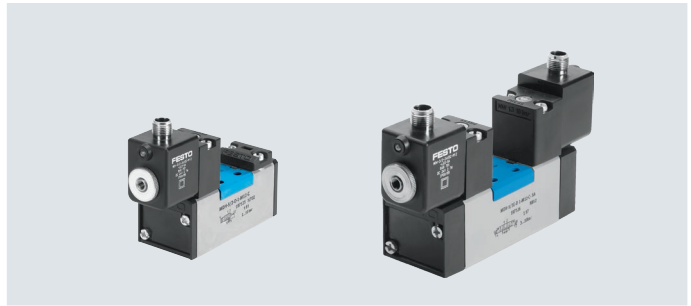
- 1 Unused
- 2 Signal (+) Solenoid 12
- 3 com (-)
- 4 Signal (+) Solenoid 14

Ordering data					
Circuit symbol	Description	Pilot air supply	Weight [g]	Part no.	Type
<b>5/2-way valve, single solenoid</b>					
	Pneumatic spring return	Internal	1000	<b>184507</b>	<b>MEBH-5/2-D-3-ZSR-C</b>
	Mechanical spring return	Internal	1000	<b>184508</b>	<b>MEBH-5/2-D-3-ZSR-FR-C</b>
<b>5/2-way valve, double solenoid</b>					
	–	Internal	1080	<b>184509</b>	<b>JMEBH-5/2-D-3-ZSR-C</b>
	With dominant signal at 14	Internal	1080	<b>184510</b>	<b>JMEBDH-5/2-D-3-ZSR-C</b>
<b>5/3-way valve</b>					
	Normally closed, mechanical spring return	Internal	1120	<b>184512</b>	<b>MEBH-5/3G-D-3-ZSR-C</b>
	Exhausted in normal position, mechanical spring return	Internal	1120	<b>184511</b>	<b>MEBH-5/3E-D-3-ZSR-C</b>
	Normally open, mechanical spring return	Internal	1120	<b>184513</b>	<b>MEBH-5/3B-D-3-ZSR-C</b>

Datasheet – Width 42 mm

-  - Flow rate  
Up to 1200 l/min

-  - Voltage  
24 V DC



**General technical data**

Design	Piston spool
Sealing principle	Soft
Actuation type	Electrical
Type of control	Piloted
Flow direction	With external pilot air supply Reversible With internal pilot air supply Not reversible
Exhaust air function	Can be throttled
Manual override	Non-detenting
Type of mounting	On sub-base via through-hole
Mounting position	Any
Nominal width [mm]	8
Overlap	Positive overlap
Width [mm]	42
Grid dimension [mm]	43
Pneumatic connections	Sub-base size 1 to ISO 5599-1
Noise level [dB (A)]	85
Conforms to standard	ISO 5599-1

**Flow rates**

Standard nominal flow rate	[l/min]	1200
----------------------------	---------	------

**Switching times [ms]**

		Switching time on	Switching time off	Switching time changeover	Switching time changeover (dominant)
5/2-way valve, single solenoid	MDH-5/2-...	25	36	–	–
	MDH-5/2-...-FR...	20	42	–	–
5/2-way valve, double solenoid	JMDH-...	–	–	18	–
	JMDDH-...	–	–	18	18
5/3-way valve	MDH-5/3G-...	25	55	–	–
	MDH-5/3E-...	25	55	–	–
	MDH-5/3B-...	25	55	–	–

## Datasheet – Width 42 mm

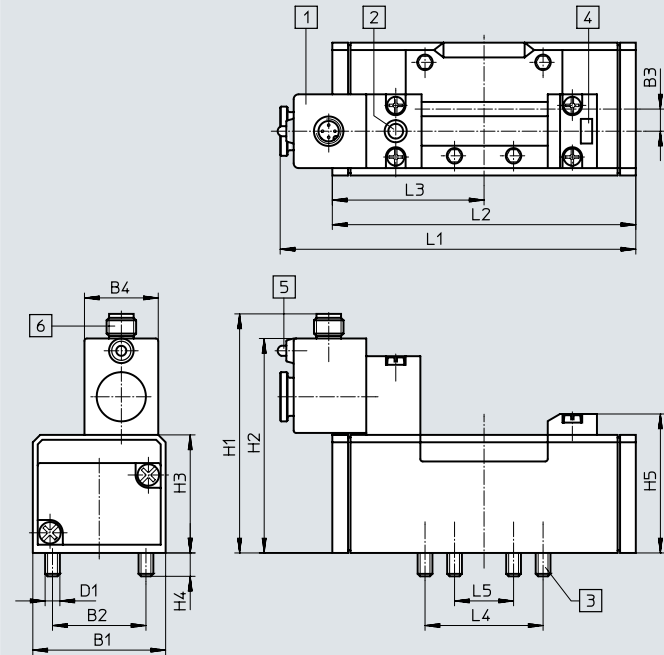
Operating and environmental conditions			
Reset method			Pneumatic spring   Mechanical spring
Operating medium	Compressed air to ISO 8573-1:2010 [7:4:4]		
Pilot medium	Compressed air to ISO 8573-1:2010 [7:4:4]		
Note on the operating/pilot medium	Lubricated operation possible (required for further operation)		
Operating pressure	Internal pilot air supply	[bar]	2 ... 10
	External pilot air supply	[bar]	-0.9 ... +16
Pilot pressure	Internal pilot air supply	[bar]	2 ... 10
	External pilot air supply	[bar]	3 ... 10
Ambient temperature		[°C]	-10 ... +50
Temperature of medium		[°C]	-10 ... +50
Safety data			
Max. positive test pulse with 0 signal		[µs]	3800
Max. negative test pulse with 1 signal		[µs]	4900
Shock resistance	Shock test with severity level 2 to FN 942017-5 and EN 60068-2-27		
Vibration resistance	Transport application test with severity level 1 to FN 942017-4 and EN 60068-2-6		
Electrical data			
Electrical connection	M12x1		
Characteristic coil data	Voltage	[V DC]	24
	Power	[W]	2.7
Permissible voltage fluctuations		[%]	±10
Duty cycle		[%]	100
Degree of protection to EN 60529	IP65		
Materials			
Housing	Die-cast aluminium		
Seals	HNBR, NBR		
LABS (PWIS) conformity	VDMA24364-B1/B2-L		

Datasheet – Width 42 mm

Dimensions

Download CAD data → [www.festo.com](http://www.festo.com)

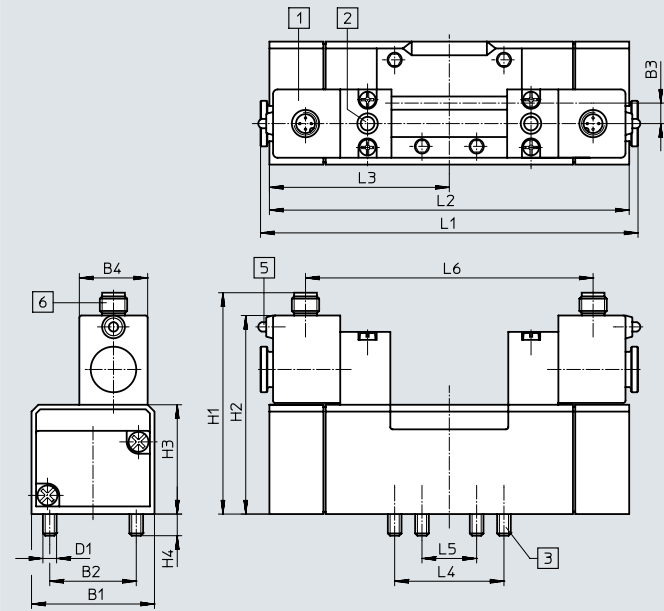
5/2-way valves, single solenoid



- [1] Solenoid coil can be turned 90° regardless of the manual override
- [2] Manual override
- [3] Captive retaining screws
- [4] Slot for inscription label
- [5] LED indicator
- [6] Device plug M12x1  
2-pin coil to VDMA  
4-pin coil to Desina

Type	B1	B2	B3	B4	D1	H1	H2	H3	H4	H5	L1	L2	L3	L4	L5	L6
MDH-5/2 ...	42	28	6	30	M5	87.2	77.2	38	9	46.5	121.8	87.6	43.8	36	18	-
MDH-5/2 ... -FR...											132.2	98				

5/2-way double solenoid valves, 5/3-way valves



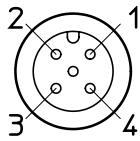
- [1] Solenoid coil can be turned 90° regardless of the manual override
- [2] Manual override
- [3] Captive retaining screws
- [5] LED indicator
- [6] Device plug M12x1  
2-pin coil to VDMA  
4-pin coil to Desina

Type	B1	B2	B3	B4	D1	H1	H2	H3	H4	H5	L1	L2	L3	L4	L5	L6
JMDH-5/2- ...	42	28	6	30	M5	87.2	77.2	38	9	-	148	87.6	43.8	36	18	108.5
JMDDH-5/2- ...												87.6	43.8			
MDH-5/3...												108.4	54.3			

## Ordering data – Width 42 mm

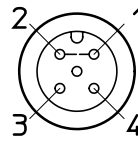
## Terminal allocation

M12 plug – 2-pin to VDMA



- 1 Unused
- 2 Unused
- 3 com (-)
- 4 Signal (+)

M12 plug – 4-pin to Desina




- 1 Connected to 2
- 2 Connected to 1
- 3 com (-)
- 4 Signal (+)

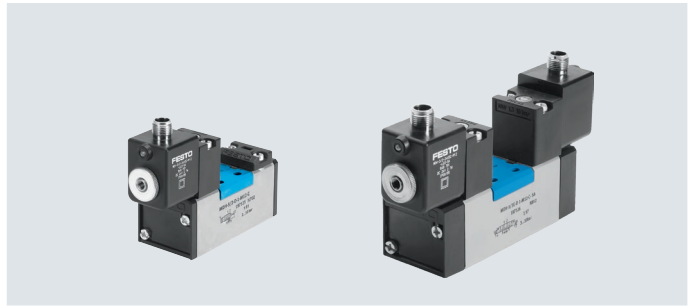
## Ordering data – Solenoid valves

Circuit symbol	Description	Coil	Pilot air supply	Weight [g]	Part no.	Type
<b>5/2-way valve, single solenoid</b>						
	Pneumatic spring return	2-pin to VDMA	Internal	420	<b>197125</b>	<b>MDH-5/2-D-1-M12-C</b>
		4-pin to Desina	Internal	420	<b>540803</b>	<b>MDH-5/2-D-1-M12D-C</b>
	Pneumatic spring return	2-pin to VDMA	External	420	<b>533332</b>	<b>MDH-5/2-D-1-S-M12-C</b>
		4-pin to Desina	External	420	<b>540810</b>	<b>MDH-5/2-D-1-S-M12D-C</b>
	Mechanical spring return	2-pin to VDMA	Internal	420	<b>533010</b>	<b>MDH-5/2-D-1-FR-M12-C</b>
		4-pin to Desina	Internal	420	<b>540804</b>	<b>MDH-5/2-D-1-FR-M12D-C</b>
	Mechanical spring return	2-pin to VDMA	External	420	<b>533761</b>	<b>MDH-5/2-D-1-S-FR-M12-C</b>
		4-pin to Desina	External	420	<b>540811</b>	<b>MDH-5/2-D-1-S-FR-M12D-C</b>
<b>5/2-way valve, double solenoid</b>						
	–	2-pin to VDMA	Internal	550	<b>532687</b>	<b>JMDH-5/2-D-1-M12-C</b>
		4-pin to Desina	Internal	550	<b>540809</b>	<b>JMDH-5/2-D-1-M12D-C</b>
	With dominant signal at 14	2-pin to VDMA	Internal	550	<b>539079</b>	<b>JMDDH-5/2-D-1-M12-C</b>
		4-pin to Desina	Internal	550	<b>540808</b>	<b>JMDDH-5/2-D-1-M12D-C</b>
<b>5/3-way valve</b>						
	Normally closed, mechanical spring return	2-pin to VDMA	Internal	580	<b>525307</b>	<b>MDH-5/3G-D-1-M12-C</b>
		4-pin to Desina	Internal	580	<b>540806</b>	<b>MDH-5/3G-D-1-M12D-C</b>
	Exhausted in normal position, mechanical spring return	2-pin to VDMA	Internal	580	<b>197126</b>	<b>MDH-5/3E-D-1-M12-C</b>
		4-pin to Desina	Internal	580	<b>540805</b>	<b>MDH-5/3E-D-1-M12D-C</b>
	Normally open, mechanical spring return	2-pin to VDMA	Internal	580	<b>533005</b>	<b>MDH-5/3B-D-1-M12-C</b>
		4-pin to Desina	Internal	580	<b>540807</b>	<b>MDH-5/3B-D-1-M12D-C</b>

## Datasheet – Width 52 mm

-  - Flow rate  
Up to 2300 l/min

-  - Voltage  
24 V DC



### General technical data

Design	Piston spool
Sealing principle	Soft
Actuation type	Electrical
Type of control	Piloted
Flow direction	Not reversible
Exhaust air function	Can be throttled
Manual override	Non-detenting
Type of mounting	On sub-base, with through-hole and screw
Mounting position	Any
Nominal width [mm]	11.5
Overlap	Positive overlap
Width [mm]	52
Grid dimension [mm]	56
Pneumatic connections	Sub-base size 2 to ISO 5599-1
Noise level [dB (A)]	85
Conforms to standard	ISO 5599-1

### Flow rates

Standard nominal flow rate	[l/min]	2300
----------------------------	---------	------

### Switching times [ms]

		Switching time on	Switching time off	Switching time changeover	Switching time changeover (dominant)
5/2-way valve, single solenoid	MDH-5/2-...	45	60	–	–
	MDH-5/2-...-FR-...	25	60	–	–
5/2-way valve, double solenoid	JMDH-...	–	–	20	–
	JMDDH-...	–	–	20	20
5/3-way valve	MDH-5/3G-...	35	70	–	–
	MDH-5/3E-...	35	70	–	–
	MDH-5/3B-...	35	70	–	–



## Datasheet – Width 52 mm

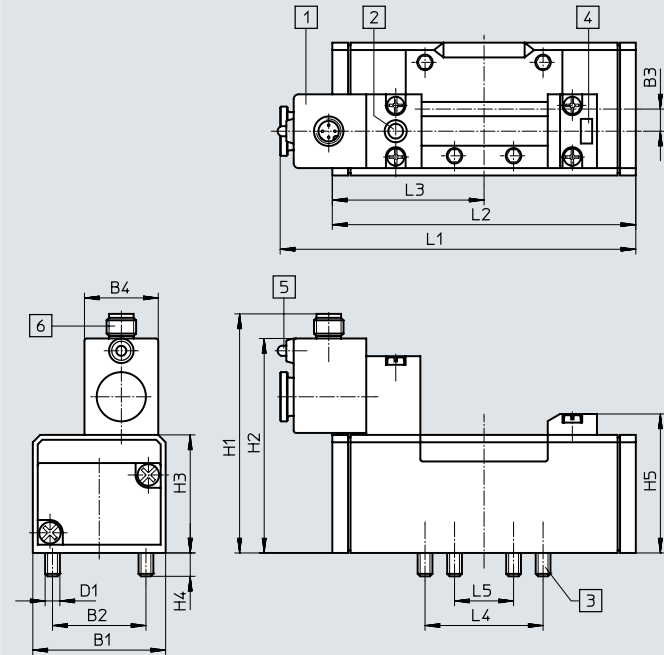
Operating and environmental conditions			
Reset method		Pneumatic spring	Mechanical spring
Operating medium		Compressed air to ISO 8573-1:2010 [7:4:4]	
Note on the operating/pilot medium		Lubricated operation possible (required for further operation)	
Operating pressure	[bar]	2 ... 10	3 ... 10
Ambient temperature	[°C]	-10 ... +50	
Temperature of medium	[°C]	-10 ... +50	
Safety data			
Max. positive test pulse with 0 signal	[µs]	3800	
Max. negative test pulse with 1 signal	[µs]	4900	
Shock resistance		Shock test with severity level 2 to FN 942017-5 and EN 60068-2-27	
Vibration resistance		Transport application test with severity level 1 to FN 942017-4 and EN 60068-2-6	
Electrical data			
Electrical connection		M12x1	
Characteristic coil data	Voltage	[V DC]	24
	Power	[W]	2.7
Permissible voltage fluctuations		[%]	±10
Duty cycle		[%]	100
Degree of protection to EN 60529			IP65
Materials			
Housing		Die-cast aluminium	
Seals		HNBR, NBR	
Note on materials		RoHS-compliant	
LABS (PWIS) conformity		VDMA24364-B1/B2-L	

Datasheet – Width 52 mm

Dimensions

Download CAD data → [www.festo.com](http://www.festo.com)

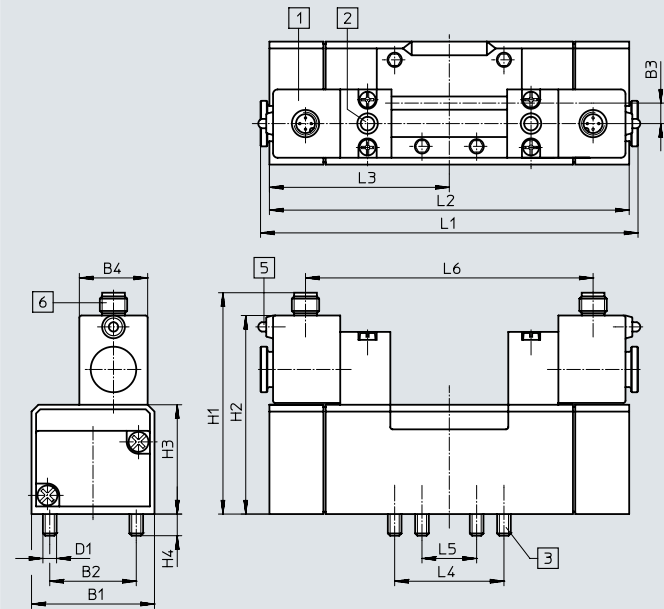
5/2-way valves, single solenoid



- [1] Solenoid coil can be turned 90° regardless of the manual override
- [2] Manual override
- [3] Captive retaining screws
- [4] Slot for inscription label
- [5] LED indicator
- [6] Device plug M12x1  
2-pin coil to VDMA  
4-pin coil to Desina

Type	B1	B2	B3	B4	D1	H1	H2	H3	H4	H5	L1	L2	L3	L4	L5	L6
MDH-5/2 ...	54	38	9	30	M6	97.2	87.2	48	9.5	56.5	144.6	123.4	61.7	48	24	-
MDH-5/2-...-FR...											161.9	140.6				

5/2-way double solenoid valves, 5/3-way valves



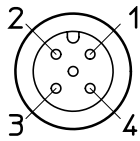
- [1] Solenoid coil can be turned 90° regardless of the manual override
- [2] Manual override
- [3] Captive retaining screws
- [5] LED indicator
- [6] Device plug M12x1  
2-pin coil to VDMA  
4-pin coil to Desina

Type	B1	B2	B3	B4	D1	H1	H2	H3	H4	H5	L1	L2	L3	L4	L5	L6
JMDH-5/2- ...	54	38	9	30	M6	97.2	87.2	48	9.5	-	165.8	123.4	61.7	48	24	126.3
JMDDH-5/2- ...												123.4	61.7			
MDH-5/3...												158	79			

## Ordering data – Width 52 mm

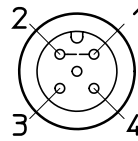
## Terminal allocation

M12 plug – 2-pin to VDMA



- 1 Unused
- 2 Unused
- 3 com (-)
- 4 Signal (+)

M12 plug – 4-pin to Desina




- 1 Connected to 2
- 2 Connected to 1
- 3 com (-)
- 4 Signal (+)

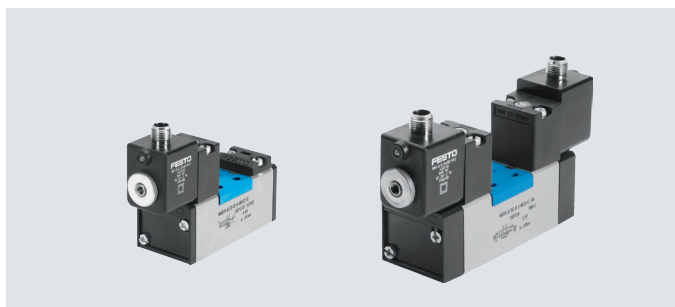
## Ordering data

Circuit symbol	Description	Coil	Pilot air supply	Weight [g]	Part no.	Type
<b>5/2-way valve, single solenoid</b>						
	Pneumatic spring return	2-pin to VDMA	Internal	810	<b>533008</b>	<b>MDH-5/2-D-2-M12-C</b>
		4-pin to Desina	Internal	810	<b>540812</b>	<b>MDH-5/2-D-2-M12D-C</b>
	Mechanical spring return	2-pin to VDMA	Internal	810	<b>533011</b>	<b>MDH-5/2-D-2-FR-M12-C</b>
		4-pin to Desina	Internal	810	<b>540813</b>	<b>MDH-5/2-D-2-FR-M12D-C</b>
<b>5/2-way valve, double solenoid</b>						
	–	2-pin to VDMA	Internal	940	<b>533013</b>	<b>JMDH-5/2-D-2-M12-C</b>
		4-pin to Desina	Internal	940	<b>540818</b>	<b>JMDH-5/2-D-2-M12D-C</b>
	With dominant signal at 14	2-pin to VDMA	Internal	940	<b>539077</b>	<b>JMDDH-5/2-D-2-M12-C</b>
		4-pin to Desina	Internal	940	<b>540817</b>	<b>JMDDH-5/2-D-2-M12D-C</b>
<b>5/3-way valve</b>						
	Normally closed, mechanical spring return	2-pin to VDMA	Internal	1000	<b>539078</b>	<b>MDH-5/3G-D-2-M12-C</b>
		4-pin to Desina	Internal	1000	<b>540815</b>	<b>MDH-5/3G-D-2-M12D-C</b>
	Exhausted in normal position, mechanical spring return	2-pin to VDMA	Internal	1000	<b>533016</b>	<b>MDH-5/3E-D-2-M12-C</b>
		4-pin to Desina	Internal	1000	<b>540814</b>	<b>MDH-5/3E-D-2-M12D-C</b>
	Normally open, mechanical spring return	2-pin to VDMA	Internal	1000	<b>533006</b>	<b>MDH-5/3B-D-2-M12-C</b>
		4-pin to Desina	Internal	1000	<b>540816</b>	<b>MDH-5/3B-D-2-M12D-C</b>

## Datasheet – Width 65 mm

-  - Flow rate  
Up to 4500 l/min

-  - Voltage  
24 V DC



### General technical data

Design	Piston spool
Sealing principle	Soft
Actuation type	Electrical
Type of control	Piloted
Flow direction	Not reversible
Exhaust air function	Can be throttled
Manual override	Non-detenting
Type of mounting	On sub-base, with through-hole and screw
Mounting position	Any
Nominal width [mm]	14.5
Overlap	Positive overlap
Width [mm]	65
Grid dimension [mm]	71
Pneumatic connections	Sub-base size 3 to ISO 5599-1
Noise level [dB (A)]	85
Conforms to standard	ISO 5599-1

### Flow rates

Valve function	5/2-way valve	5/3-way valve		
		Normally closed	Normally exhausted	Normally open
Standard nominal flow rate [l/min]	4500	4100	4600	4000

### Switching times [ms]

		Switching time on	Switching time off	Switching time changeover	Switching time changeover (dominant)
5/2-way valve, single solenoid	MDH-5/2-...	54	57	–	–
	MDH-5/2-...-FR-...	28	68	–	–
5/2-way valve, double solenoid	JMDH-...	–	–	21	–
	JMDDH-...	–	–	23	23
5/3-way valve	MDH-5/3G-...	35	79	–	–
	MDH-5/3E-...	36	84	–	–
	MDH-5/3B-...	36	84	–	–

## Datasheet – Width 65 mm

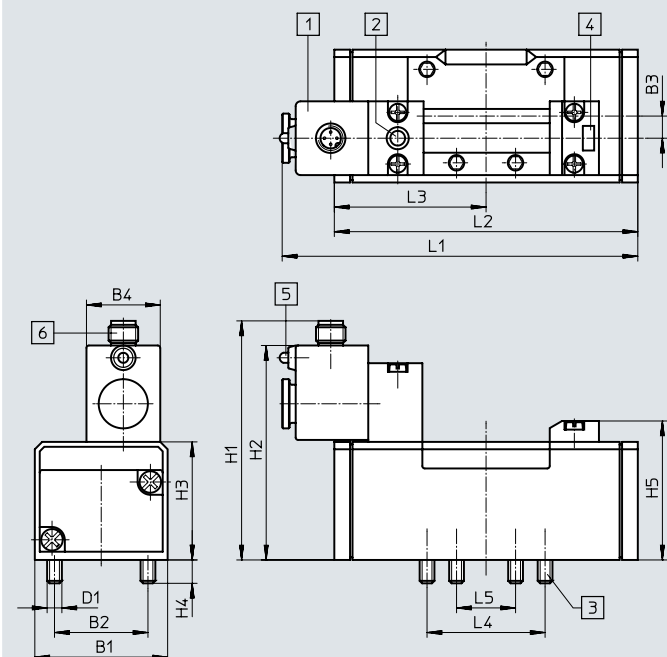
Operating and environmental conditions			
Reset method		Pneumatic spring	Mechanical spring
Operating medium		Compressed air to ISO 8573-1:2010 [7:4:4]	
Note on the operating/pilot medium		Lubricated operation possible (required for further operation)	
Operating pressure	[bar]	2 ... 10	3 ... 10
Ambient temperature	[°C]	-10 ... +50	
Temperature of medium	[°C]	-10 ... +50	
Safety data			
Max. positive test pulse with 0 signal	[µs]	3800	
Max. negative test pulse with 1 signal	[µs]	4900	
Shock resistance		Shock test with severity level 2 to FN 942017-5 and EN 60068-2-27	
Vibration resistance		Transport application test with severity level 1 to FN 942017-4 and EN 60068-2-6	
Electrical data			
Electrical connection		M12x1	
Characteristic coil data	Voltage	[V DC]	24
	Power	[W]	2.7
Permissible voltage fluctuations		[%]	±10
Duty cycle		[%]	100
Degree of protection to EN 60529			IP65
Materials			
Housing		Die-cast aluminium	
Seals		HNBR, NBR	
Note on materials		RoHS-compliant	
LABS (PWIS) conformity		VDMA24364-B1/B2-L	

## Datasheet – Width 65 mm

### Dimensions

Download CAD data → [www.festo.com](http://www.festo.com)

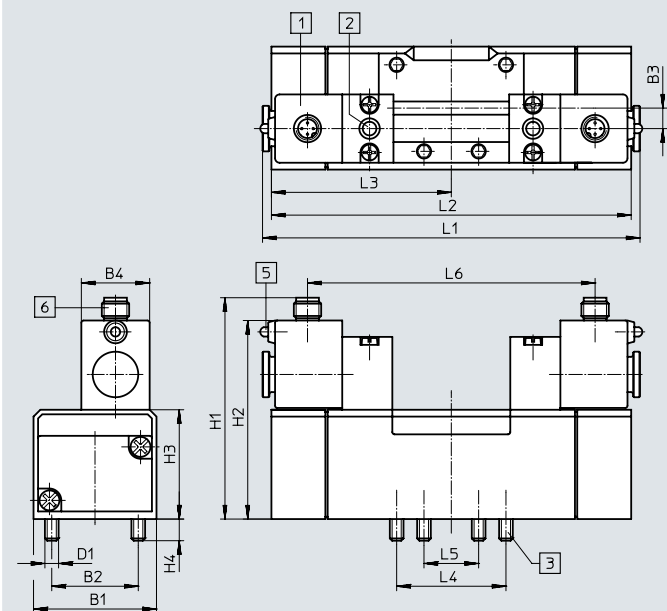
5/2-way valve, single solenoid



- [1] Solenoid coil can be turned 90° regardless of the manual override
- [2] Manual override
- [3] Captive retaining screws
- [4] Slot for inscription label
- [5] LED indicator
- [6] Device plug M12x1  
2-pin coil to VDMA  
4-pin coil to Desina

Type	B1	B2	B3	B4	D1	H1	H2	H3	H4	H5	L1	L2	L3	L4	L5	L6
MDH-5/2 ...	65	48	12	30	M8	104.2	94.2	55	12	62.5	165.9	145.4	72.7	64	32	–
MDH-5/2-...-FR...											182.5	140.6				

5/2-way double solenoid valves, 5/3-way valves



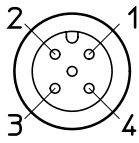
- [1] Solenoid coil can be turned 90° regardless of the manual override
- [2] Manual override
- [3] Captive retaining screws
- [5] LED indicator
- [6] Device plug M12x1  
2-pin coil to VDMA  
4-pin coil to Desina

Type	B1	B2	B3	B4	D1	H1	H2	H3	H4	H5	L1	L2	L3	L4	L5	L6
JMDH-5/2- ...	65	48	12	30	M8	104.2	94.2	55	12	–	186.4	145.4	72.7	64	32	146.9
JMDDH-5/2- ...												145.4	72.7			
MDH-5/3...												184	92			

Ordering data – Width 65 mm

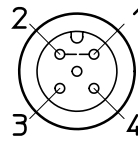
**Terminal allocation**

M12 plug – 2-pin to VDMA



- 1 Unused
- 2 Unused
- 3 com (-)
- 4 Signal (+)

M12 plug – 4-pin to Desina





- 1 Connected to 2
- 2 Connected to 1
- 3 com (-)
- 4 Signal (+)

**Ordering data**

Circuit symbol	Description	Coil	Pilot air supply	Weight [g]	Part no.	Type
<b>5/2-way valve, single solenoid</b>						
	Pneumatic spring return	2-pin to VDMA	Internal	1000	<b>533009</b>	<b>MDH-5/2-D-3-M12-C</b>
		4-pin to Desina	Internal	1000	<b>540819</b>	<b>MDH-5/2-D-3-M12D-C</b>
	Mechanical spring return	2-pin to VDMA	Internal	1000	<b>533012</b>	<b>MDH-5/2-D-3-FR-M12-C</b>
		4-pin to Desina	Internal	1000	<b>540820</b>	<b>MDH-5/2-D-3-FR-M12D-C</b>
<b>5/2-way valve, double solenoid</b>						
	–	2-pin to VDMA	Internal	1100	<b>533015</b>	<b>JMDH-5/2-D-3-M12-C</b>
		4-pin to Desina	Internal	1100	<b>540825</b>	<b>JMDH-5/2-D-3-M12D-C</b>
	With dominant signal at 14	2-pin to VDMA	Internal	1100	<b>539081</b>	<b>JMDDH-5/2-D-3-M12-C</b>
		4-pin to Desina	Internal	1100	<b>540824</b>	<b>JMDDH-5/2-D-3-M12D-C</b>
<b>5/3-way valve</b>						
	Normally closed, mechanical spring return	2-pin to VDMA	Internal	1120	<b>539080</b>	<b>MDH-5/3G-D-3-M12-C</b>
		4-pin to Desina	Internal	1120	<b>540822</b>	<b>MDH-5/3G-D-3-M12D-C</b>
	Exhausted in normal position, mechanical spring return	2-pin to VDMA	Internal	1120	<b>533017</b>	<b>MDH-5/3E-D-3-M12-C</b>
		4-pin to Desina	Internal	1120	<b>540821</b>	<b>MDH-5/3E-D-3-M12D-C</b>
	Normally open, mechanical spring return	2-pin to VDMA	Internal	1120	<b>533007</b>	<b>MDH-5/3B-D-3-M12-C</b>
		4-pin to Desina	Internal	1120	<b>540823</b>	<b>MDH-5/3B-D-3-M12D-C</b>

Datasheet – Width 76 mm

-  - Flow rate  
Up to 6000 l/min

-  - Voltage  
24 V DC  
48 V AC



**General technical data**

Design	Piston spool
Sealing principle	Soft
Actuation type	Electrical
Type of control	Piloted
Flow direction	Not reversible
Exhaust air function	Can be throttled
Manual override	Non-detenting
Type of mounting	On sub-base, with through-hole and screw
Mounting position	Any
Nominal width [mm]	18
Overlap	Positive overlap
Width [mm]	76
Grid dimension [mm]	82
Pneumatic connections	Sub-base size 4 to ISO 5599-1
Noise level [dB (A)]	85
Conforms to standard	ISO 5599-1

**Flow rates**

Valve function	5/2-way valve	5/3-way valve
Standard nominal flow rate [l/min]	6000	4800

**Switching times [ms]**

		Switching time on	Switching time off	Switching time changeover
5/2-way valve	Single solenoid	120	160	–
	Double solenoid	–	–	40
5/3-way valve		85	290	–



## Datasheet – Width 76 mm

Operating and environmental conditions		
Valve function		MDH-...-D-4-24DC, JMDH-...-D-4-24DC   MDH-...-D-4, JMDH-...-D-4
Operating medium		Compressed air to ISO 8573-1:2010 [7:4:4]
Note on the operating/pilot medium		Lubricated operation possible (required for further operation)
Operating pressure	5/2-way valve, single solenoid [bar]	3 ... 16
	5/2-way valve, double solenoid [bar]	2 ... 16
	5/3-way valve [bar]	3 ... 16
Ambient temperature	[°C]	-10 ... +50
Temperature of medium	[°C]	-10 ... +60
CE marking (see declaration of conformity) <sup>1)</sup>		To EU Low Voltage Directive   –
UKCA marking (see declaration of conformity) <sup>1)</sup>		To UK regulations for electrical equipment   –

1) Additional information: [www.festo.com/catalogue/...](http://www.festo.com/catalogue/...) → Support/Downloads.

Safety data		
Type		MDH-...-D-4-24DC, JMDH-...-D-4-24DC   MDH-...-D-4, JMDH-...-D-4
Max. positive test pulse with 0 signal	[µs]	4300   –
Max. negative test pulse with 1 signal	[µs]	2100   –

Electrical data – MDH-...-24DC, JMDH-...-24DC			DC voltage	Alternating voltage
Electrical connection			To DIN EN 175301-803	
Characteristic coil data	Voltage	[V DC]	24	–
		[V AC]	–	48
	Frequency	[Hz]	–	5 0/60
	Power	[W]	6.8	–
	Pick-up power	[VA]	–	14.5
	Holding power	[VA]	–	9.9
Duty cycle	[%]	100		
Degree of protection to EN 60529		IP65		

Electrical data – Pilot valve MDH-3/2-...			MDH-3/2-24DC	MDH-3/2-24DC/42AC	MDH-3/2-110AC	MDH-3/2-230AC							
Type			Plug, square design to EN 175301-803, type A										
Characteristic coil data	Voltage	[V DC]	24	–	–	24	–	–	–	–	110	–	–
		[V AC]	–	48	53	–	42	42	110	110	–	230	230
	Frequency	[Hz]	–	50	60	–	50	60	50	60	–	50	60
	Power	[W]	6.8	–	–	8.4	–	–	–	–	6.3	–	–
	Pick-up power	[VA]	–	14.5	15	–	14	12	14.5	12	–	14.5	12
	Holding power	[VA]	–	9.9	9.3	–	10	7	10.5	7.6	–	10.5	7.6
Permissible voltage fluctuations	[%]	±10	±10	±10	±10	±10	±10	±10	±10	±10	±10	±10	
Permissible frequency fluctuations	[%]	–	–	–	±10	±10	±10	±10	±10	±10	±10	±10	
Duty cycle	[%]	100											
Degree of protection to EN 60529		IP65											

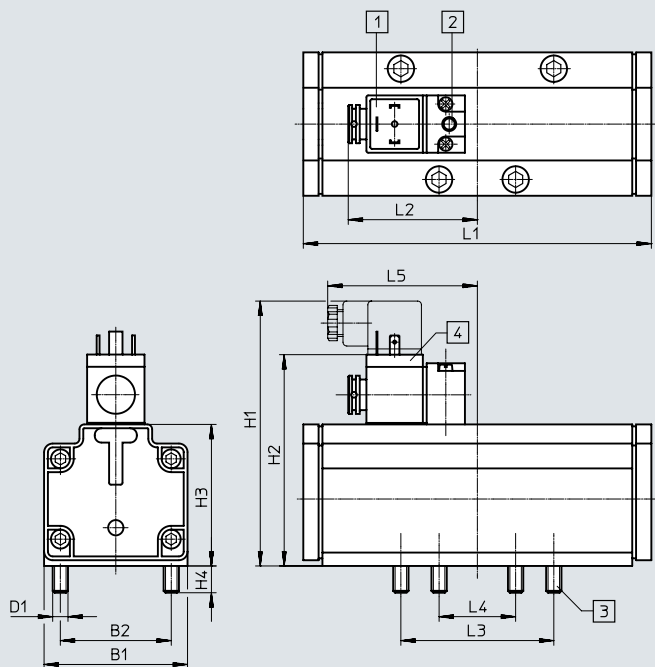
Materials	
Housing	Aluminium
Seals	NBR
Note on materials	RoHS-compliant
LABS (PWIS) conformity	VDMA24364-B1/B2-L

Datasheet – Width 76 mm

Dimensions

Download CAD data → [www.festo.com](http://www.festo.com)

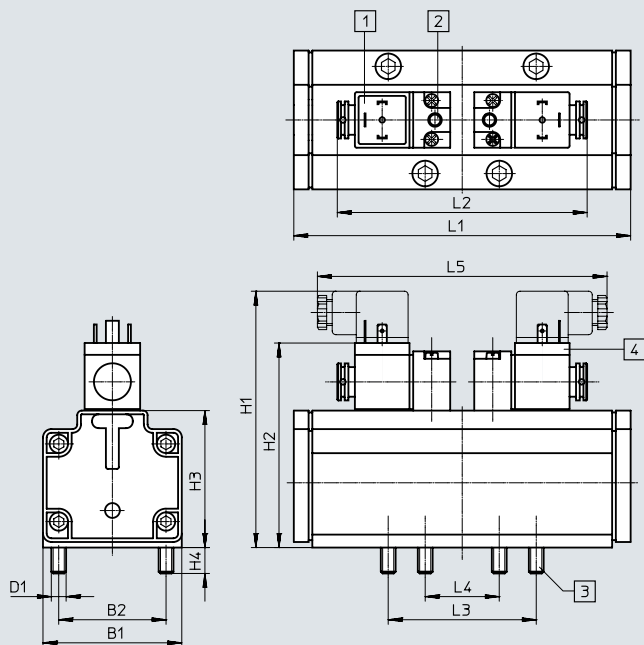
5/2-way valves, single solenoid



- [1] Connection for plug socket with plug pattern to EN 175301-803, type A → page 137
- [2] Manual override
- [3] Captive retaining screws
- [4] Solenoid coil can be turned 90° regardless of the manual override

Type	B1	B2	D1	H1	H2	H3	H4	L1	L2	L3	L4	L5
MDH-5/2 ...	76	58	M8	139	110.5	74	14	182	67.5	80	40	81

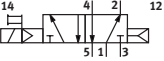
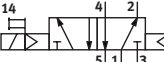


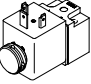
5/2-way double solenoid valves, 5/3-way valves



- [1] Connection for plug socket with plug pattern to EN 175301-803, type A → page 137
- [2] Manual override
- [3] Captive retaining screws
- [4] Solenoid coil can be turned 90° regardless of the manual override

Type	B1	B2	D1	H1	H2	H3	H4	L1	L2	L3	L4	L5
JMDH-5/2- ...	76	58	M8	139	110.5	74	14	182	135	80	40	162
MDH-5/3...												

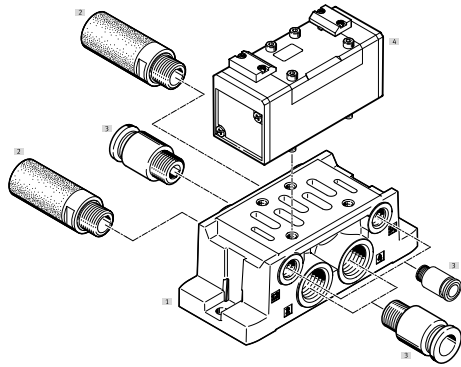
## Ordering data – Width 76 mm

Ordering data						
Circuit symbol	Description	Voltage	Pilot air supply	Weight [g]	Part no.	Type
<b>5/2-way valve, single solenoid</b>						
	Pneumatic spring return	24 V DC	Internal	2600	<b>12457</b>	<b>MDH-5/2-3/4-D-4-24DC</b>
		–	Internal	2600	<b>14544</b>	<b>MDH-5/2-3/4-D-4<sup>1)</sup></b>
<b>5/2-way valve, double solenoid</b>						
	–	24 V DC	Internal	2600	<b>12458</b>	<b>JMDH-5/2-3/4-D-4-24DC</b>
		–	Internal	2600	<b>14545</b>	<b>JMDH-5/2-3/4-D-4<sup>1)</sup></b>
<b>5/3-way valve</b>						
	Normally closed, mechanical spring return	24 V DC	Internal	2600	<b>12459</b>	<b>MDH-5/3G-3/4-D-4-24DC</b>
		–	Internal	2600	<b>14546</b>	<b>MDH-5/3G-3/4-D-4<sup>1)</sup></b>
	Exhausted in normal position, mechanical spring return	24 V DC	Internal	2600	<b>12460</b>	<b>MDH-5/3E-3/4-D-4-24DC</b>
		–	Internal	2600	<b>14547</b>	<b>MDH-5/3E-3/4-D-4<sup>1)</sup></b>
<b>Usable pilot valves</b>						
	Electrical connection to EN 175301-803 type A	24 V DC	–	140	<b>119600</b>	<b>MDH-3/2-24DC</b>
		24 V DC/ 42 V AC	–	140	<b>119603</b>	<b>MDH-3/2-24DC/42AC</b>
		110 V AC	–	140	<b>119601</b>	<b>MDH-3/2-110AC</b>
		110 V DC/ 230 V AC	–	140	<b>119602</b>	<b>MDH-3/2-230AC</b>

- 1) Without pilot valve. The part number of the pilot valve must be added after the type code when ordering.  
Order example: 14546 MDH-5/3G-3/4-D-4-119602 (for MDH-3/2-230AC with part no. 119602)

## Peripherals overview

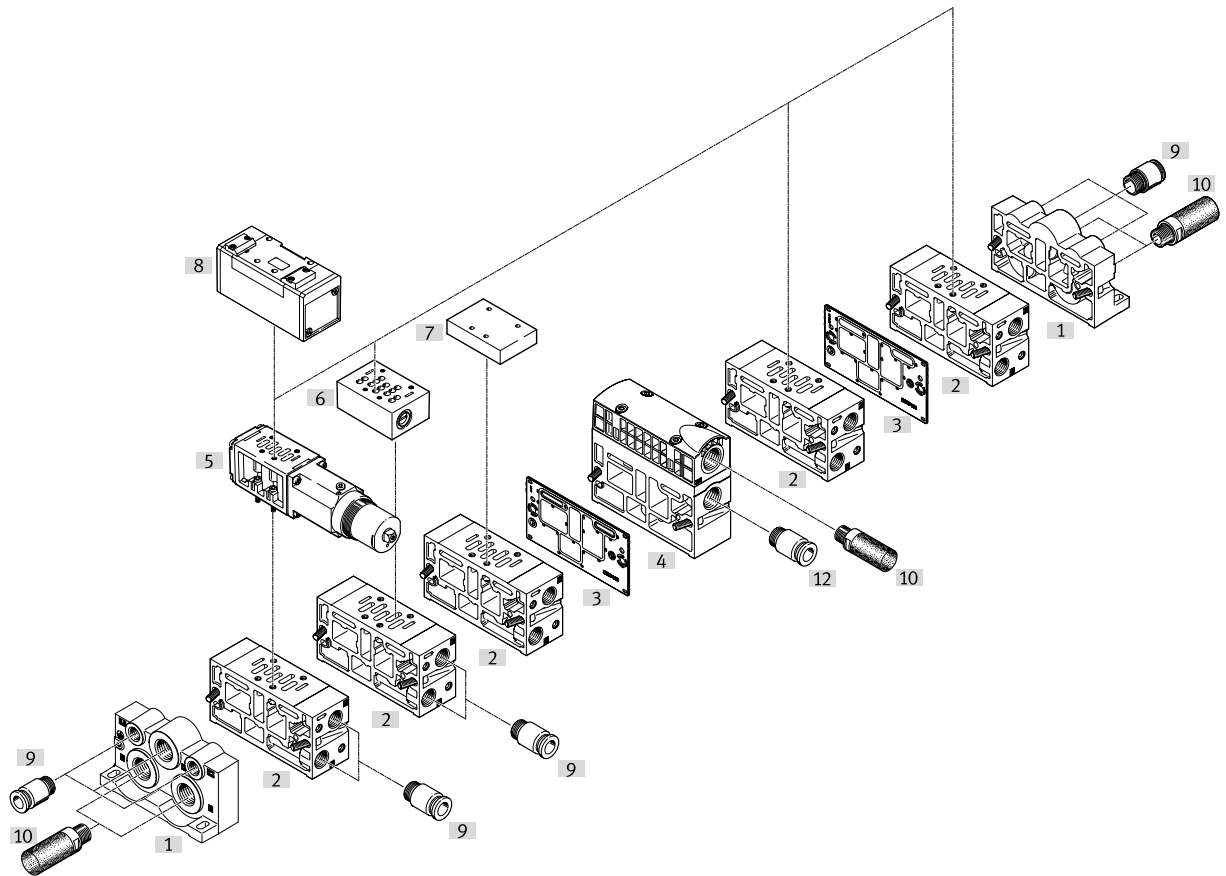
### Valve on individual sub-base



Individual components		Type	Brief description	→ Page/Internet
[1]	Sub-base	VABS-S1-...	Pneumatic ports on the side	104
	Individual sub-base	NAS-...	Pneumatic ports on the side	104
		NAU-...	Pneumatic ports underneath	107
[2]	Silencer	U-...	For fitting in exhaust ports	silencer
[3]	Push-in fitting	QS-...	For connecting tubing with standard O.D.	qs
[4]	Pneumatic valve	VL-...	Port pattern to ISO 5599-1	87
		J-...	Port pattern to ISO 5599-1	87
		JD-...	Port pattern to ISO 5599-1	87

## Peripherals overview

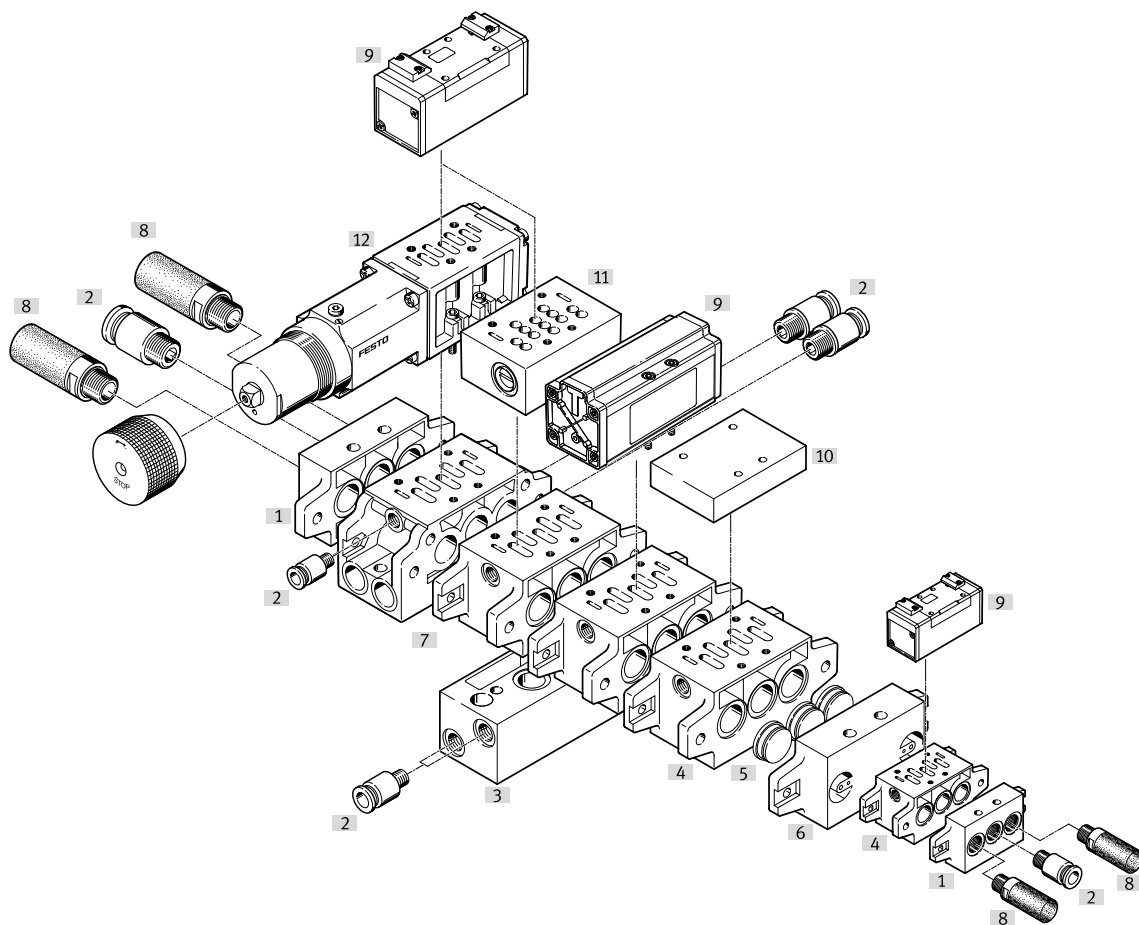
## Manifold assembly



Individual components		Type	Brief description	→ Page/Internet
[1]	End plates	VABE-S1-...	For sealing the manifold sub-bases	116
[2]	Manifold sub-base	VABV-S1-...	With ports 2 and 4	109
[3]	Duct separation	VABD-S1-1-...	For sealing ducts 1, 3, 5, 12 and 14 between end plate and manifold sub-base, e.g. to create pressure zones	120
[4]	Supply plate	VABF-S1-1-...	With ports for air supply 1 and exhausts 3 and 5	111
[5]	Regulator plate	VABF-S1-...-R-...	Pressure regulator for manually setting a particular pressure in the regulated port upstream or downstream of the valve	130
		LR-ZP-...	Pressure regulator for manually setting a particular pressure in the regulated port upstream or downstream of the valve	130
[6]	Throttle plate	VABF-S1-...-F1B1-C	Restricts the flow of exhaust air in ducts 3 and 5	123
		GRO-ZP-...	Restricts the flow of exhaust air in ducts 3 and 5	123
[7]	Cover plate	NDV-...	For sealing unused manifold sub-bases	119
[8]	Pneumatic valve	VL-...	Port pattern to ISO 5599-1	87
		J-...	Port pattern to ISO 5599-1	87
		JD-...	Port pattern to ISO 5599-1	87
[9]	Push-in fitting	QS-...	For connecting tubing with standard O.D.	qs
[10]	Silencer	U-...	For fitting in exhaust ports	silencer
[12]	Push-in fitting	QS-...	For connecting tubing with standard O.D.	qs

## Peripherals overview


### Manifold assembly



#### Individual components

	Type	Brief description	→ Page/Internet	
[1]	End plate kit	NEV-...	For sealing the manifold sub-bases	115
[2]	Push-in fitting	QS-...	For connecting tubing with standard O.D.	qs
[3]	90°-connection plate	NAW-...	For routing ports 2 and 4 to the front	114
[4]	Manifold sub-base	NAV-...	With ports 2 and 4 underneath	109
[5]	Isolating disc	NSC-...	For sealing ducts 1, 3, 5 between end plate and manifold sub-base, e.g. to create pressure zones	119
[6]	Intermediate plate	NZV-...	For connecting manifold sub-bases of different sizes	121
[7]	Manifold sub-base with 90° connections	NAWV-...	With ports 2 and 4 either underneath or to the front	114
[8]	Silencer	U-...	For fitting in exhaust ports	silencer
[9]	Pneumatic valve	VL-...	Port pattern to ISO 5599-1	87
		J-...	Port pattern to ISO 5599-1	87
		JD-...	Port pattern to ISO 5599-1	87
[10]	Cover plate	NDV-...	For sealing unused manifold sub-bases	119
[11]	Throttle plate	VABF-S1-...-F1B1-C	Restricts the flow of exhaust air in ducts 3 and 5	123
		GRO-ZP-...	Restricts the flow of exhaust air in ducts 3 and 5	123
[12]	Regulator plate	VABF-S1-...-R-...	Pressure regulator for manually setting a particular pressure in the regulated port upstream or downstream of the valve	130
		LR-ZP-...	Pressure regulator for manually setting a particular pressure in the regulated port upstream or downstream of the valve	130

## Datasheet – Width 42 mm

-  - Flow rate  
1200 l/min



## General technical data

Type	VL- ...-C, J ... -C	VL- ... -EX, J ... -EX
Design	Piston spool	Piston spool
Sealing principle	Soft	Soft
Actuation type	Pneumatic	Pneumatic
Type of control	Direct	Direct
Flow direction	Reversible VL-5/2-D-1-C: non-reversible	Reversible VL-5/2-D-1-C-EX: non-reversible
Exhaust air function	Can be throttled	Can be throttled
Manual override	None	None
Type of mounting	On sub-base via through-hole	On sub-base via through-hole
Mounting position	Any	Any
Nominal width [mm]	8	8
Overlap	Positive overlap	Positive overlap
Width [mm]	42	42
Grid dimension [mm]	43	43
Pneumatic connections	Sub-base size 1 to ISO 5599-1	Sub-base size 1 to ISO 5599-1
Noise level [dB (A)]	85	85
Conforms to standard	ISO 5599-1	ISO 5599-1

## Flow rates

Standard nominal flow rate [l/min]	1200
------------------------------------	------

## Switching times [ms]

		Switching time on	Switching time off	Switching time changeover	Switching time changeover (dominant)
5/2-way valve, monostable	VL-5/2-D-1-C	9	18	–	–
	VL-5/2-D-1-C-EX	9	18	–	–
	VL-5/2-D-1-FR-C	6	23	–	–
	VL-5/2-D-1-FR-C-EX	6	23	–	–
5/2-way valve, bistable	J-5/2-D-1-C	–	–	6	–
	J-5/2-D-1-C-EX	–	–	6	–
	JD-5/2-D-1-C	–	–	6	4
	JD-5/2-D-1-C-EX	–	–	6	4
5/3-way valve	VL-5/3G-D-1-C	7	44	–	–
	VL-5/3G-D-1-C-EX	7	44	–	–
	VL-5/3E-D-1-C	7	45	–	–
	VL-5/3E-D-1-C-EX	7	45	–	–
	VL-5/3B-D-1-C	7	44	–	–
	VL-5/3B-D-1-C-EX	7	44	–	–

## Datasheet – Width 42 mm

<b>ATEX</b>	
Type	VL- ... -EX, J ... -EX
ATEX category for gas	II 2G
Type of (ignition) protection for gas	Ex h IIC T4 Gb
ATEX category for dust	II 2D
Type of (ignition) protection for dust	Ex h IIIC T130°C Db
Explosion ambient temperature	[°C] -10 ≤ Ta ≤ +60
Explosion protection certification outside EU	EPL Db (GB)
	EPL Gb (GB)
CE marking (see declaration of conformity) <sup>1)</sup>	To EU Explosion Protection Directive (ATEX)
UKCA marking (see declaration of conformity) <sup>1)</sup>	To UK regulations for explosions

1) Additional information: [www.festo.com/catalogue/...](http://www.festo.com/catalogue/...) → Support/Downloads.

<b>Operating and environmental conditions</b>					
Valve function	5/2-way valve			5/3-way valve	
	Monostable		Bistable		
	Pneumatic spring	Mechanical spring			
Operating medium	Compressed air to ISO 8573-1:2010 [7:4:4]				
Pilot medium	Compressed air to ISO 8573-1:2010 [7:4:4]				
Note on the operating/pilot medium	Lubricated operation possible (required for further operation)				
Operating pressure	[bar]	2 ... 16	-0.9 ... +16	-0.9 ... +16	-0.9 ... +16
Pilot pressure	[bar]	2 ... 16	3 ... 16	2 ... 16	3 ... 16
Ambient temperature	[°C]	-10 ... +60			
Temperature of medium	[°C]	-10 ... +60			

<b>Safety data</b>	
Shock resistance	Shock test with severity level 2 to FN 942017-5 and EN 60068-2-27
Vibration resistance	Transport application test with severity level 1 to FN 942017-4 and EN 60068-2-6

<b>Materials</b>	
Housing	Die-cast aluminium
Seals	HNBR, NBR
Note on materials	RoHS-compliant

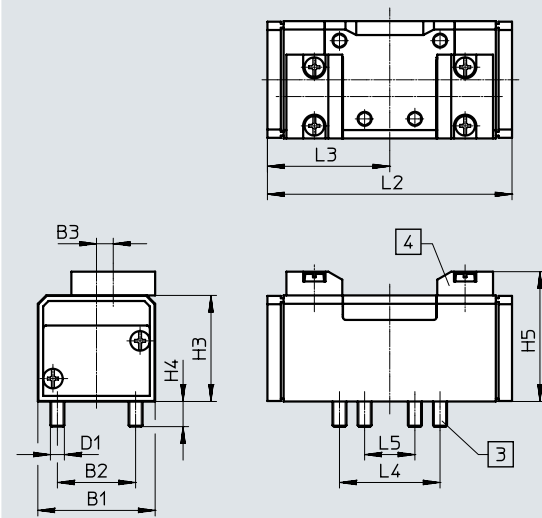


Datasheet – Width 42 mm

Dimensions

Download CAD data → [www.festo.com](http://www.festo.com)

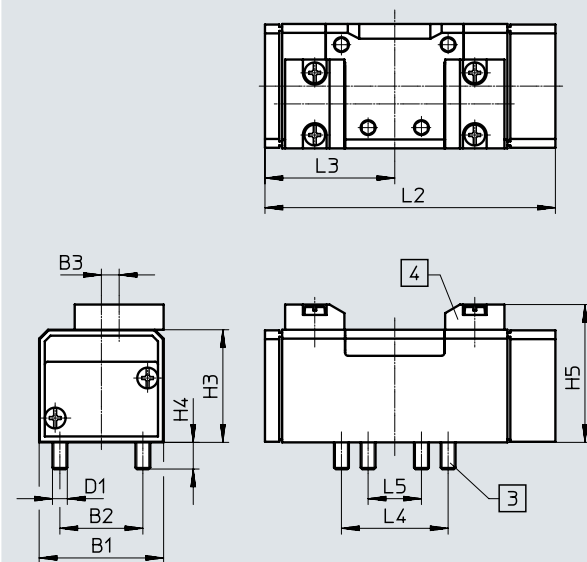
5/2-way valves, pneumatic spring return, 5/2-way valves, bistable



- [3] Captive retaining screws
- [4] Slot for inscription label

Type	B1	B2	B3	D1	H3	H4	H5	L2	L3	L4	L5
VL-5/2- ...	42	28	6	M5	38	9	46.5	87.6	43.8	36	18
J-5/2- ...											
JD-5/2- ...											

5/2-way valves, mechanical spring return



- [3] Captive retaining screws
- [4] Slot for inscription label

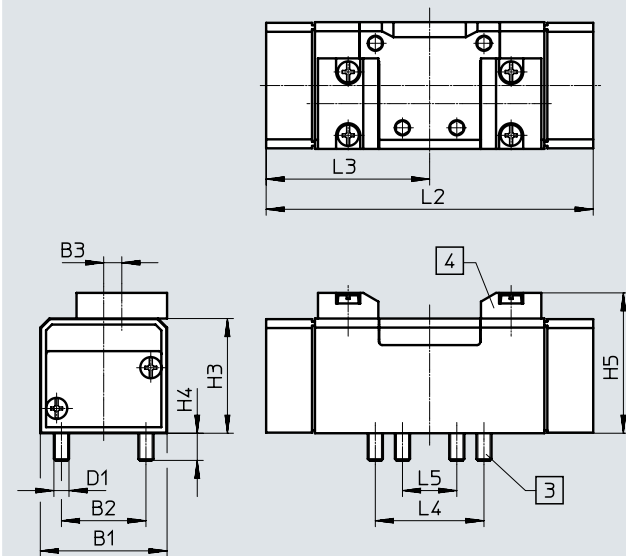
Type	B1	B2	B3	D1	H3	H4	H5	L2	L3	L4	L5
VL-5/2- ... -FR- ...	42	28	6	M5	38	9	46.5	98	43.8	36	18

Datasheet – Width 42 mm

Dimensions

Download CAD data → [www.festo.com](http://www.festo.com)

5/3-way valves



- [3] Captive retaining screws
- [4] Slot for inscription label

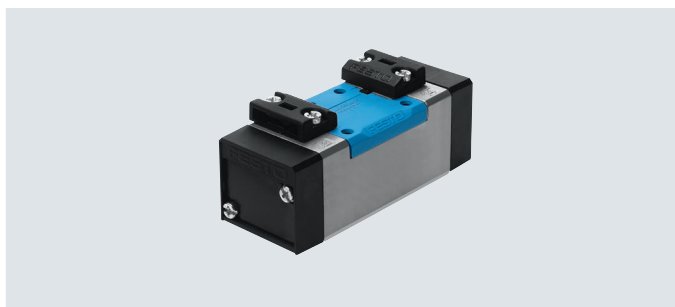
Type	B1	B2	B3	D1	H3	H4	H5	L2	L3	L4	L5
VL-5/3...	42	28	6	M5	38	9	46.5	108.4	54.2	36	18

## Datasheet – Width 42 mm

Ordering data					
Circuit symbol	Description		Weight [g]	Part no.	Type
<b>5/2-way valve, monostable</b>					
	Pneumatic spring return	–	290	<b>151009</b>	<b>VL-5/2-D-1-C</b>
		ATEX category → page 88	290	<b>536007</b>	<b>VL-5/2-D-1-C-EX</b>
	Mechanical spring return	–	290	<b>151014</b>	<b>VL-5/2-D-1-FR-C</b>
		ATEX category → page 88	290	<b>536010</b>	<b>VL-5/2-D-1-FR-C-EX</b>
<b>5/2-way valve, bistable</b>					
	–	–	290	<b>151007</b>	<b>J-5/2-D-1-C</b>
		ATEX category → page 88	290	<b>536013</b>	<b>J-5/2-D-1-C-EX</b>
	With dominant signal at 14	UL – Recognized (OL)	290	<b>151008</b>	<b>JD-5/2-D-1-C</b>
		ATEX category → page 88	290	<b>536016</b>	<b>JD-5/2-D-1-C-EX</b>
<b>5/3-way valve</b>					
	Normally closed	UL – Recognized (OL)	320	<b>151010</b>	<b>VL-5/3G-D-1-C</b>
	Mechanical spring return	ATEX category → page 88	320	<b>536019</b>	<b>VL-5/3G-D-1-C-EX</b>
	Normally exhausted	–	320	<b>151011</b>	<b>VL-5/3E-D-1-C</b>
	Mechanical spring return	ATEX category → page 88	320	<b>536022</b>	<b>VL-5/3E-D-1-C-EX</b>
	Normally pressurised	UL – Recognized (OL)	320	<b>151012</b>	<b>VL-5/3B-D-1-C</b>
	Mechanical spring return	ATEX category → page 88	320	<b>536025</b>	<b>VL-5/3B-D-1-C-EX</b>

Datasheet – Width 52 mm

-  - Flow rate  
2300 l/min



General technical data		
Type	VL- ... -C, J ... -C	VL- ... -EX, J ... -EX
Design	Piston spool	Piston spool
Sealing principle	Soft	Soft
Actuation type	Pneumatic	Pneumatic
Type of control	Direct	Direct
Flow direction	Reversible	Reversible
	VL-5/2-D-2-C: non-reversible	VL-5/2-D-2-C-EX: non-reversible
Exhaust air function	Can be throttled	Can be throttled
Manual override	None	None
Type of mounting	On sub-base, with through-hole and screw	On sub-base, with through-hole and screw
Mounting position	Any	Any
Nominal width [mm]	11.5	11.5
Overlap	Positive overlap	Positive overlap
Width [mm]	52	52
Grid dimension [mm]	56	56
Pneumatic connections	Sub-base size 2 to ISO 5599-1	Sub-base size 2 to ISO 5599-1
Noise level [dB (A)]	85	85
Conforms to standard	ISO 5599-1	ISO 5599-1

Flow rates		
Standard nominal flow rate	[l/min]	2300

Switching times [ms]		Switching time on	Switching time off	Switching time changeover	Switching time changeover (dominant)
5/2-way valve, monostable	VL-5/2-D-2-C	23	39	–	–
	VL-5/2-D-2-C-EX	23	39	–	–
	VL-5/2-D-2-FR-C	11	39	–	–
	VL-5/2-D-2-FR-C-EX	11	39	–	–
5/2-way valve, bistable	J-5/2-D-2-C	–	–	8	–
	J-5/2-D-2-C-EX	–	–	8	–
	JD-5/2-D-2-C	–	–	8	8
	JD-5/2-D-2-C-EX	–	–	8	8
5/3-way valve	VL-5/3G-D-2-C	15	56	–	–
	VL-5/3G-D-2-C-EX	15	56	–	–
	VL-5/3E-D-2-C	16	59	–	–
	VL-5/3E-D-2-C-EX	16	59	–	–
	VL-5/3B-D-2-C	15	57	–	–
	VL-5/3B-D-2-C-EX	15	57	–	–

## Datasheet – Width 52 mm

<b>ATEX</b>	
Type	VL- ... -EX, J ... -EX
ATEX category for gas	II 2G
Type of (ignition) protection for gas	Ex h IIC T4 Gb
ATEX category for dust	II 2D
Type of (ignition) protection for dust	Ex h IIIC T130°C Db
Explosion ambient temperature	[°C] -10 ≤ Ta ≤ +60
Explosion protection certification outside EU	EPL Db (GB)
	EPL Gb (GB)
CE marking (see declaration of conformity) <sup>1)</sup>	To EU Explosion Protection Directive (ATEX)
UKCA marking (see declaration of conformity) <sup>1)</sup>	To UK regulations for explosions

1) Additional information: [www.festo.com/catalogue/...](http://www.festo.com/catalogue/...) → Support/Downloads.

<b>Operating and environmental conditions</b>					
Valve function	5/2-way valve				5/3-way valve
	Monostable		Bistable		
	Pneumatic spring	Mechanical spring			
Operating medium	Compressed air to ISO 8573-1:2010 [7:4:4]				
Pilot medium	Compressed air to ISO 8573-1:2010 [7:4:4]				
Note on the operating/pilot medium	Lubricated operation possible (required for further operation)				
Operating pressure	[MPa]	0.2 ... 1.6	-0.09 ... +1.6	-0.09 ... +1.6	-0.09 ... +1.6
	[bar]	2 ... 16	-0.9 ... +16	-0.9 ... +16	-0.9 ... +16
Pilot pressure	[bar]	2 ... 16	3 ... 16	2 ... 16	3 ... 16
Ambient temperature	[°C]	-10 ... +60			
Temperature of medium	[°C]	-10 ... +60			

<b>Safety data</b>	
Shock resistance	Shock test with severity level 2 to FN 942017-5 and EN 60068-2-27
Vibration resistance	Transport application test with severity level 1 to FN 942017-4 and EN 60068-2-6

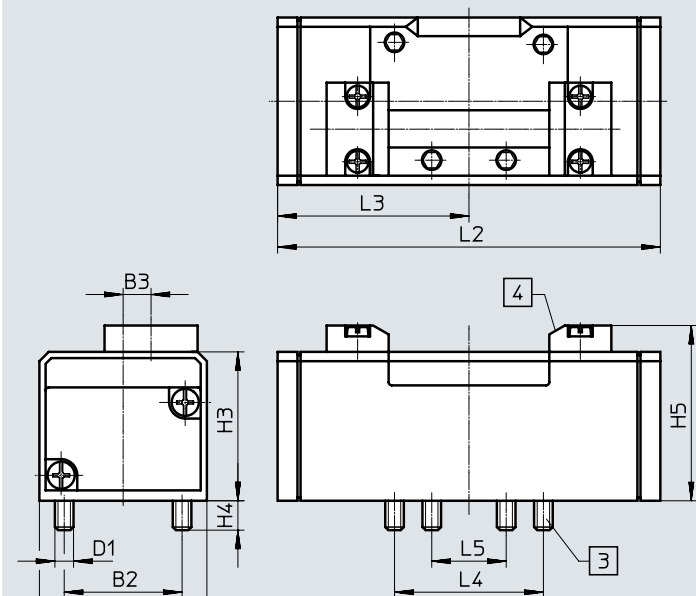
<b>Materials</b>	
Housing	Die-cast aluminium
Seals	HNBR, NBR
Note on materials	RoHS-compliant
LABS (PWIS) conformity	VDMA24364-B1/B2-L

Datasheet – Width 52 mm

Dimensions

Download CAD data → [www.festo.com](http://www.festo.com)

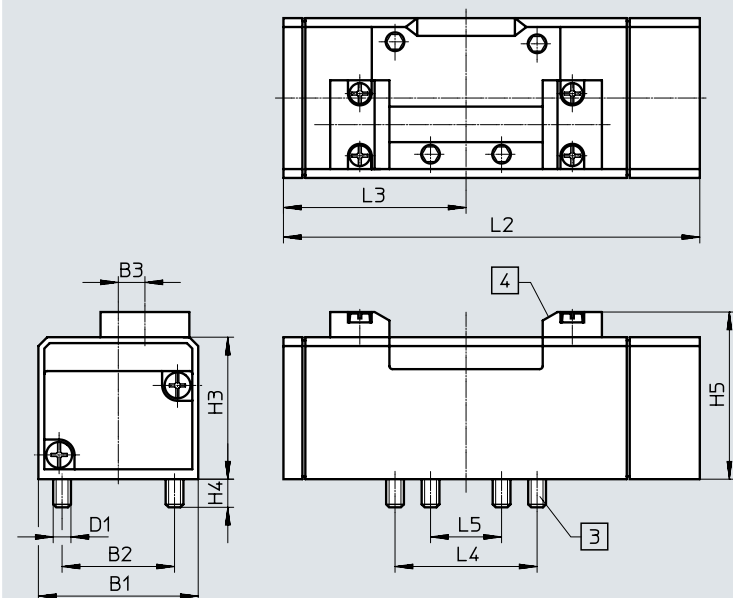
5/2-way valves, pneumatic spring return, 5/2-way bistable valves



- [3] Captive retaining screws
- [4] Slot for inscription label

Type	B1	B2	B3	D1	H3	H4	H5	L2	L3	L4	L5
VL-5/2- ...	54	38	9	M6	48	9.5	56.5	123.4	61.7	48	24
J-5/2- ...											
JD-5/2- ...											

5/2-way valves, mechanical spring return



- [3] Captive retaining screws
- [4] Slot for inscription label

Type	B1	B2	B3	D1	H3	H4	H5	L2	L3	L4	L5
VL-5/2- ... -FR- ...	54	38	9	M6	48	9.5	56.5	140.7	61.7	48	24

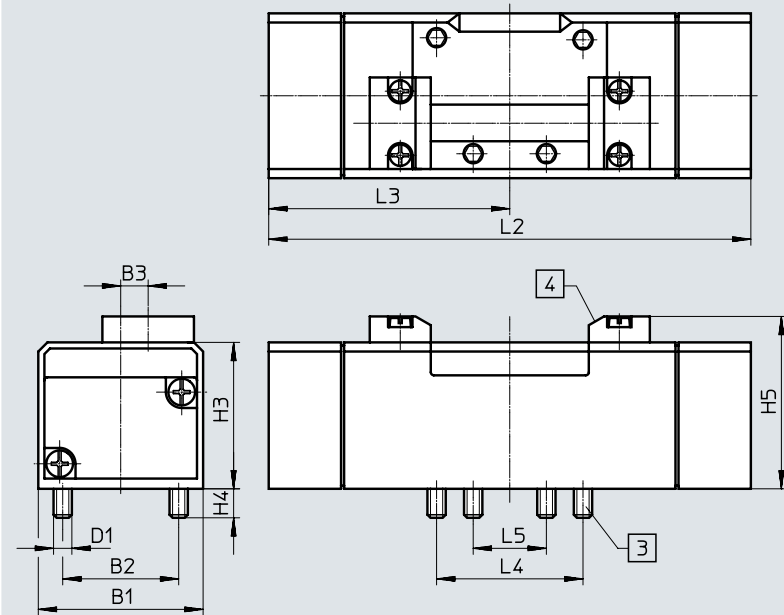
Datasheet – Width 52 mm

Dimensions

Download CAD data → [www.festo.com](http://www.festo.com)

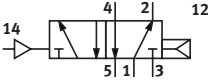
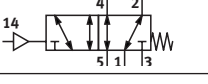
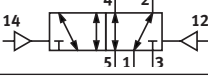

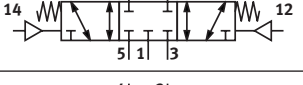

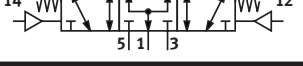
5/3-way valves

- [3] Captive retaining screws
- [4] Slot for inscription label




Type	B1	B2	B3	D1	H3	H4	H5	L2	L3	L4	L5
VL-5/3...	54	38	9	M6	48	9.5	56.5	158	79	48	24

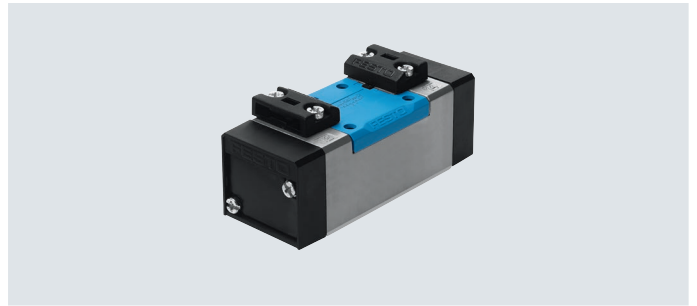
Datasheet – Width 52 mm

Ordering data					
Circuit symbol	Description		Weight [g]	Part no.	Type
<b>5/2-way valve, monostable</b>					
	Pneumatic spring return	UL – Recognized (OL)	550	<b>151845</b>	<b>VL-5/2-D-2-C</b>
		ATEX category → page 93	550	<b>536008</b>	<b>VL-5/2-D-2-C-EX</b>
	Mechanical spring return	UL – Recognized (OL)	550	<b>151844</b>	<b>VL-5/2-D-2-FR-C</b>
		ATEX category → page 93	550	<b>536011</b>	<b>VL-5/2-D-2-FR-C-EX</b>
<b>5/2-way valve, bistable</b>					
	–	–	550	<b>151846</b>	<b>J-5/2-D-2-C</b>
		ATEX category → page 93	550	<b>536014</b>	<b>J-5/2-D-2-C-EX</b>
	With dominant signal at 14	UL – Recognized (OL)	550	<b>151847</b>	<b>JD-5/2-D-2-C</b>
		ATEX category → page 93	550	<b>536017</b>	<b>JD-5/2-D-2-C-EX</b>
<b>5/3-way valve</b>					
	Normally closed Mechanical spring return	UL – Recognized (OL)	825	<b>151848</b>	<b>VL-5/3G-D-2-C</b>
		ATEX category → page 93	825	<b>536020</b>	<b>VL-5/3G-D-2-C-EX</b>
	Normally exhausted Mechanical spring return	UL – Recognized (OL)	825	<b>151849</b>	<b>VL-5/3E-D-2-C</b>
		ATEX category → page 93	825	<b>536023</b>	<b>VL-5/3E-D-2-C-EX</b>
	Normally pressurised Mechanical spring return	UL – Recognized (OL)	825	<b>151850</b>	<b>VL-5/3B-D-2-C</b>
		ATEX category → page 93	825	<b>536026</b>	<b>VL-5/3B-D-2-C-EX</b>



## Datasheet – Width 65 mm

-  - Flow rate  
Up to 4600 l/min



General technical data			
Type	VL- ...-C, J ... -C	VL- ... -EX, J ... -EX	
Design	Piston spool	Piston spool	
Sealing principle	Soft	Soft	
Actuation type	Pneumatic	Pneumatic	
Type of control	Direct	Direct	
Flow direction	Reversible	Reversible	
	VL-5/2-D-3-C: non-reversible	VL-5/2-D-3-C-EX: non-reversible	
Exhaust air function	Can be throttled	Can be throttled	
Manual override	None	None	
Type of mounting	On sub-base, with through-hole and screw	On sub-base, with through-hole and screw	
Mounting position	Any	Any	
Nominal width [mm]	14.5	14.5	
Overlap	Positive overlap	Positive overlap	
Width [mm]	65	65	
Grid dimension [mm]	71	71	
Pneumatic connections	Sub-base size 3 to ISO 5599-1	Sub-base size 3 to ISO 5599-1	
Noise level [dB (A)]	85	85	
Conforms to standard	ISO 5599-1	ISO 5599-1	

Flow rates				
Valve function	5/2-way valve	5/3-way valve		
		Normally closed	Normally exhausted	Normally pressurised
Standard nominal flow rate [l/min]	4500	4100	4600	4100

## Datasheet – Width 65 mm

Switching times [ms]		Switching time on	Switching time off	Switching time changeover	Switching time changeover (dominant)
5/2-way valve, monostable	VL-5/2-D-1-C	29	36	–	–
	VL-5/2-D-1-C-EX	29	36	–	–
	VL-5/2-D-1-FR-C	13	43	–	–
	VL-5/2-D-1-FR-C-EX	13	43	–	–
5/2-way valve, bistable	J-5/2-D-1-C	–	–	8	–
	J-5/2-D-1-C-EX	–	–	8	–
	JD-5/2-D-1-C	–	–	8	8
	JD-5/2-D-1-C-EX	–	–	8	8
5/3-way valve	VL-5/3G-D-1-C	17	61	–	–
	VL-5/3G-D-1-C-EX	17	61	–	–
	VL-5/3E-D-1-C	18	63	–	–
	VL-5/3E-D-1-C-EX	18	63	–	–
	VL-5/3B-D-1-C	16	60	–	–
	VL-5/3B-D-1-C-EX	16	60	–	–

ATEX	
Type	VL- ... -EX, J ... -EX
ATEX category for gas	II 2G
Type of (ignition) protection for gas	Ex h IIC T4 Gb
ATEX category for dust	II 2D
Type of (ignition) protection for dust	Ex h IIIC T130°C Db
Explosion ambient temperature [°C]	–10 ≤ Ta ≤ +60
Explosion protection certification outside EU	EPL Db (GB) EPL Gb (GB)
CE marking (see declaration of conformity) <sup>1)</sup>	To EU Explosion Protection Directive (ATEX)
UKCA marking (see declaration of conformity) <sup>1)</sup>	To UK regulations for explosions

1) Additional information: [www.festo.com/catalogue/...](http://www.festo.com/catalogue/...) → Support/Downloads.

Operating and environmental conditions		5/2-way valve			5/3-way valve
Valve function		Monostable		Bistable	
		Pneumatic spring	Mechanical spring		
Operating medium		Compressed air to ISO 8573-1:2010 [7:4:4]			
Pilot medium		Compressed air to ISO 8573-1:2010 [7:4:4]			
Note on the operating/pilot medium		Lubricated operation possible (required for further operation)			
Operating pressure	[MPa]	0.2 ... 1.6	–0.09 ... +1.6	–0.09 ... +1.6	–0.09 ... +1.6
	[bar]	2 ... 16	–0.9 ... +16	–0.9 ... +16	–0.9 ... +16
Pilot pressure	[bar]	2 ... 16	3 ... 16	2 ... 16	3 ... 16
Ambient temperature	[°C]	–10 ... +60			
Temperature of medium	[°C]	–10 ... +60			

Safety data	
Shock resistance	Shock test with severity level 2 to FN 942017-5 and EN 60068-2-27
Vibration resistance	Transport application test with severity level 1 to FN 942017-4 and EN 60068-2-6

Materials	
Housing	Die-cast aluminium
Seals	HNBR, NBR
Note on materials	RoHS-compliant

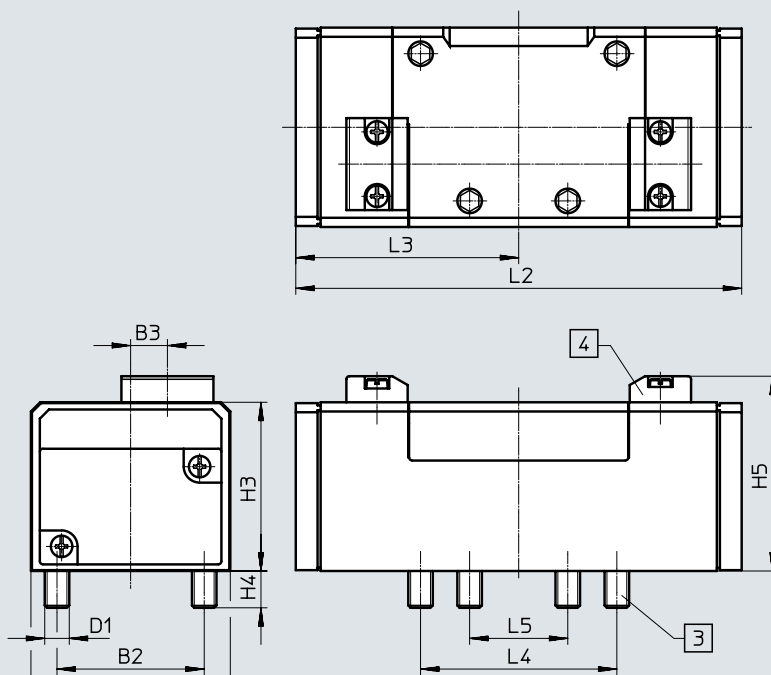
Datasheet – Width 65 mm

Dimensions

Download CAD data → [www.festo.com](http://www.festo.com)

5/2-way valves, pneumatic spring return, 5/2-way bistable valves

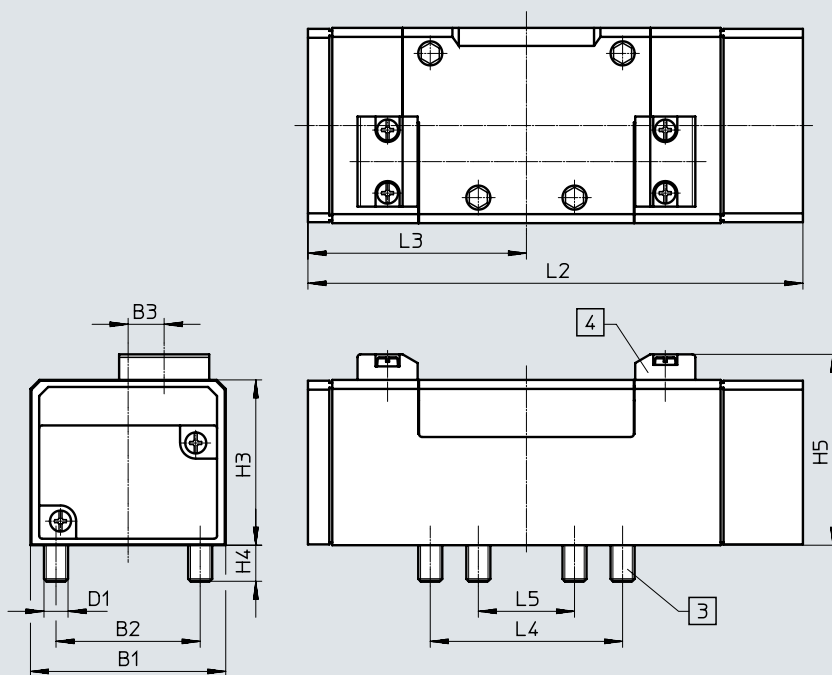
- [3] Captive retaining screws
- [4] Slot for inscription label



Type	B1	B2	B3	D1	H3	H4	H5	L2	L3	L4	L5
VL-5/2- ...	65	48	12	M8	55	12	63.5	145.4	72.7	64	32
J-5/2- ...											
JD-5/2- ...											

5/2-way valves, mechanical spring return

- [3] Captive retaining screws
- [4] Slot for inscription label



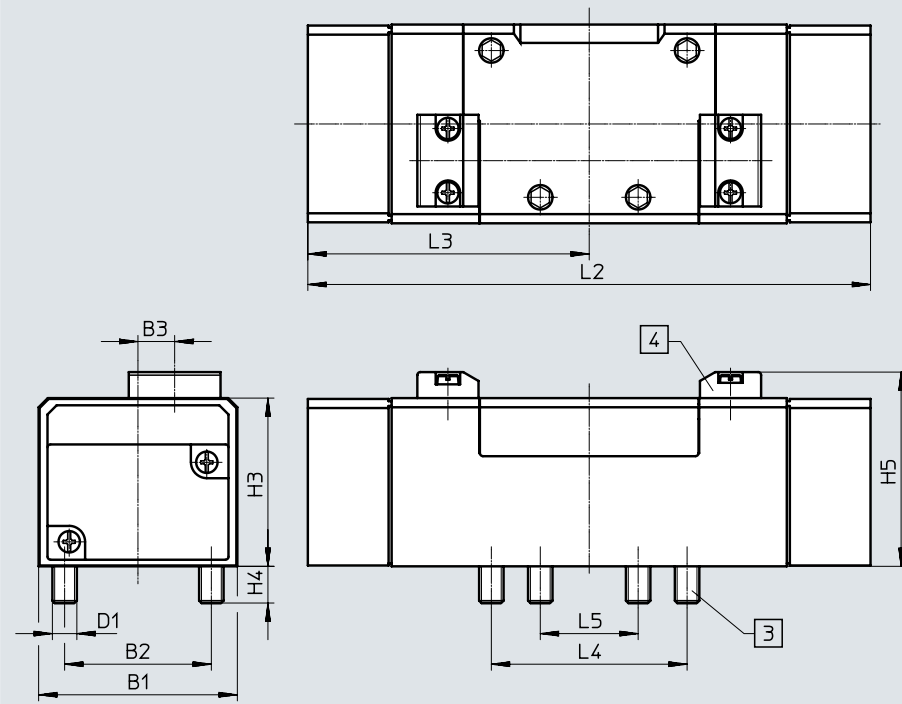
Type	B1	B2	B3	D1	H3	H4	H5	L2	L3	L4	L5
VL-5/2- ... -FR- ...	65	48	12	M8	55	12	63.5	164.7	72.7	64	32

Datasheet – Width 65 mm

Dimensions

Download CAD data → [www.festo.com](http://www.festo.com)

5/3-way valves




- [3] Captive retaining screws
- [4] Slot for inscription label

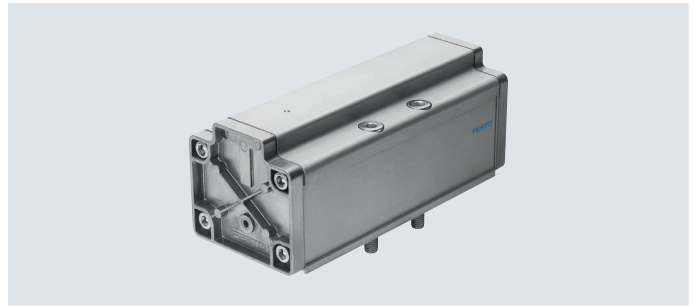
Type	B1	B2	B3	D1	H3	H4	H5	L2	L3	L4	L5
VL-5/3...	65	48	12	M8	55	12	63.5	184	92	64	32

Ordering data

Circuit symbol	Description		Weight [g]	Part no.	Type
<b>5/2-way valve, monostable</b>					
	Pneumatic spring return	c UL us - Recognized (OL)	810	<b>151864</b>	<b>VL-5/2-D-3-C</b>
		ATEX category → page 98	810	<b>536009</b>	<b>VL-5/2-D-3-C-EX</b>
	Mechanical spring return	c UL us - Recognized (OL)	810	<b>151863</b>	<b>VL-5/2-D-3-FR-C</b>
		ATEX category → page 98	810	<b>536012</b>	<b>VL-5/2-D-3-FR-C-EX</b>
<b>5/2-way valve, bistable</b>					
	-	-	810	<b>151865</b>	<b>J-5/2-D-3-C</b>
		ATEX category → page 98	810	<b>536015</b>	<b>J-5/2-D-3-C-EX</b>
	With dominant signal at 14	c UL us - Recognized (OL)	810	<b>151866</b>	<b>JD-5/2-D-3-C</b>
		ATEX category → page 98	810	<b>536018</b>	<b>JD-5/2-D-3-C-EX</b>
<b>5/3-way valve</b>					
	Normally closed Mechanical spring return	c UL us - Recognized (OL)	910	<b>151867</b>	<b>VL-5/3G-D-3-C</b>
		ATEX category → page 98	910	<b>536021</b>	<b>VL-5/3G-D-3-C-EX</b>
	Normally exhausted Mechanical spring return	c UL us - Recognized (OL)	910	<b>151868</b>	<b>VL-5/3E-D-3-C</b>
		ATEX category → page 98	910	<b>536024</b>	<b>VL-5/3E-D-3-C-EX</b>
	Normally pressurised Mechanical spring return	-	910	<b>151869</b>	<b>VL-5/3B-D-3-C</b>
		ATEX category → page 98	910	<b>536027</b>	<b>VL-5/3B-D-3-C-EX</b>

## Datasheet – Width 76 mm

-  - Flow rate  
Up to 6000 l/min



General technical data	
Design	Piston spool
Sealing principle	Soft
Actuation type	Pneumatic
Type of control	Direct
Flow direction	Reversible
Exhaust air function	Can be throttled
Manual override	None
Type of mounting	On sub-base, with through-hole and screw
Mounting position	Any
Nominal width [mm]	18
Overlap	Positive overlap
Width [mm]	76
Grid dimension [mm]	82
Pneumatic connections	Sub-base size 4 to ISO 5599-1
Noise level [dB (A)]	85
Conforms to standard	ISO 5599-1

Flow rates		
Valve function	5/2-way valve	5/3-way valve
Standard nominal flow rate [l/min]	6000	4800

Switching times [ms]		Switching time on	Switching time off	Switching time changeover
5/2-way valve, monostable	VL-5/2-3/4-D-4	25	90	–
5/2-way valve, bistable	J-5/2-3/4-D-4	–	–	20
5/3-way valve	VL-5/3G-3/4-D-4	40	130	–
	VL-5/3E-3/4-D-4	50	170	–

## Datasheet – Width 76 mm

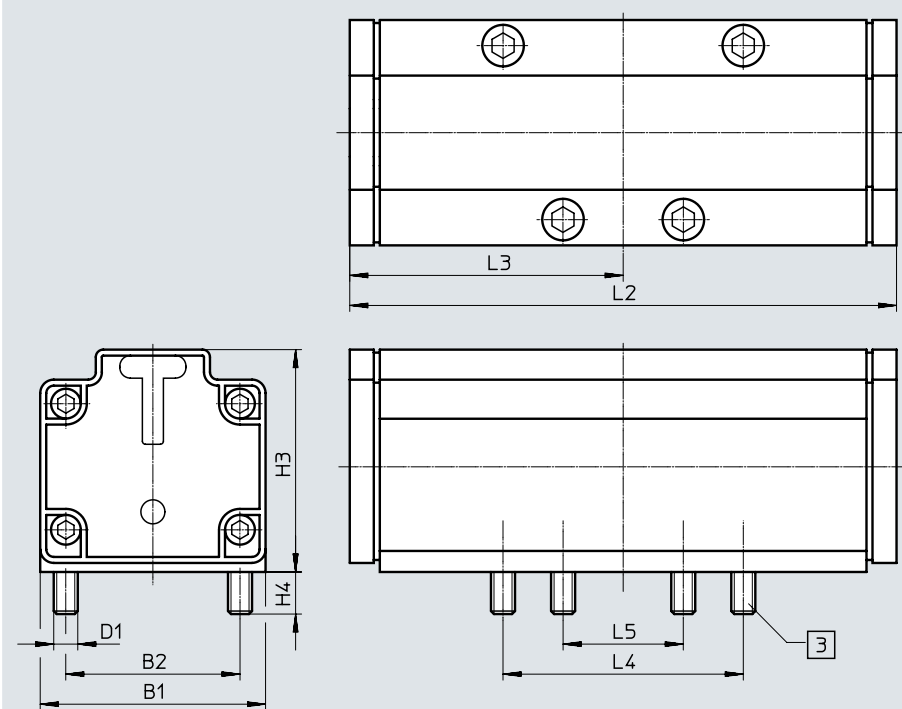
Operating and environmental conditions		5/2-way valve		5/3-way valve
		Monostable	Bistable	
Valve function				
Operating medium		Compressed air to ISO 8573-1:2010 [7:4:4]		
Pilot medium		Compressed air to ISO 8573-1:2010 [7:4:4]		
Note on the operating/pilot medium		Lubricated operation possible (required for further operation)		
Operating pressure	[bar]	-0.9 ... +16	-0.9 ... +16	-0.9 ... +16
Pilot pressure	[bar]	3 ... 16	2 ... 16	3 ... 16
Ambient temperature	[°C]	-10 ... +60		
Temperature of medium	[°C]	-10 ... +60		

Materials	
Housing	Aluminium
Seals	NBR
Note on materials	RoHS-compliant
LABS (PWIS) conformity	VDMA24364-B1/B2-L

### Dimensions

Download CAD data → [www.festo.com](http://www.festo.com)

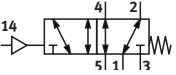
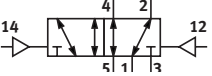
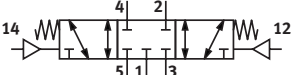
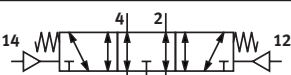
5/3-way valves



[3] Captive retaining screws

Type	B1	B2	D1	H3	H4	L2	L3	L4	L5
VL-5/2-3/4-D-4	76	58	M8	74	14	182	91	80	40
J-5/2-3/4-D-4									
VL-5/3E-3/4-D-4									
VL-5/3G-3/4-D-4									

## Datasheet – Width 76 mm

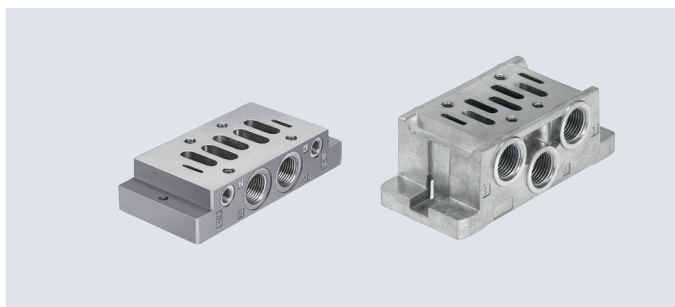
Ordering data				
Circuit symbol	Description	Weight [g]	Part no.	Type
<b>5/2-way valve, monostable</b>				
	Mechanical spring return	1800	12461	VL-5/2-3/4-D-4
<b>5/2-way valve, bistable</b>				
	-	1800	12462	J-5/2-3/4-D-4
<b>5/3-way valve</b>				
	Normally closed Mechanical spring return	2000	12463	VL-5/3G-3/4-D-4
	Normally exhausted Mechanical spring return	2000	12464	VL-5/3E-3/4-D-4

## Accessories

Individual sub-base NAS  
Sub-base VABS

Lateral connections

Materials:  
Die-cast aluminium  
Anodised aluminium



General technical data					
Type	NAS-1/4	NAS-3/8	NAS-1/2	NAS-3/4	VABS
Conforms to standard	ISO 5599-1				–
Based on standard	–				ISO 5599-1
Actuation type	–				Electrical
Sealing principle	–				Soft
Mounting position	–				Any
Suitable for vacuum	–				Yes
Type of mounting	Via through-hole				With through-hole for M5 screw

Materials					
Type	NAS-1/4	NAS-3/8	NAS-1/2	NAS-3/4	VABS
Sub-base	Die-cast aluminium			Anodised aluminium	Die-cast aluminium
Note on materials	–			–	RoHS-compliant
LABS (PWIS) conformity	–			–	VDMA24364-B1/B2-L

Operating and environmental conditions					
Type	NAS-1/4	NAS-3/8	NAS-1/2	NAS-3/4	VABS
Operating medium	–			–	Compressed air to ISO 8573-1:2010 [7:4:4]
Pilot medium	–			–	Compressed air to ISO 8573-1:2010 [7:4:4]
Note on the operating/pilot medium	–			–	Lubricated operation possible (required for further operation)
Operating pressure	[MPa]	–			0 ... 1.6
	[bar]	–			0 ... 16
Pilot pressure	[MPa]	–			0 ... 1
	[bar]	–			0 ... 10
Ambient temperature	[°C]	–			–10 ... +60
Temperature of medium	[°C]	–			–10 ... +60
Storage temperature	[°C]	–			–20 ... +60
Corrosion resistance class CRC <sup>1)</sup>	–			–	0 - no corrosion stress
CE marking (see declaration of conformity) <sup>2)</sup>	–			–	To EU Low Voltage Directive
Certification	c UL - Recognized (OL)			–	–

1) For additional information [www.festo.com/x/topic/crc](http://www.festo.com/x/topic/crc)

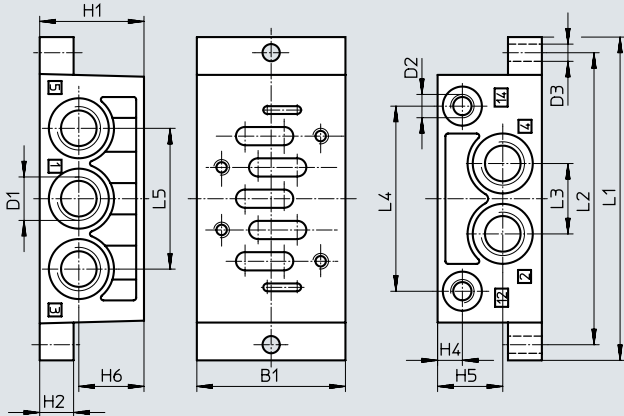
2) Additional information: [www.festo.com/catalogue/...](http://www.festo.com/catalogue/...) → Support/Downloads.



Accessories

Dimensions – Individual sub-base NAS

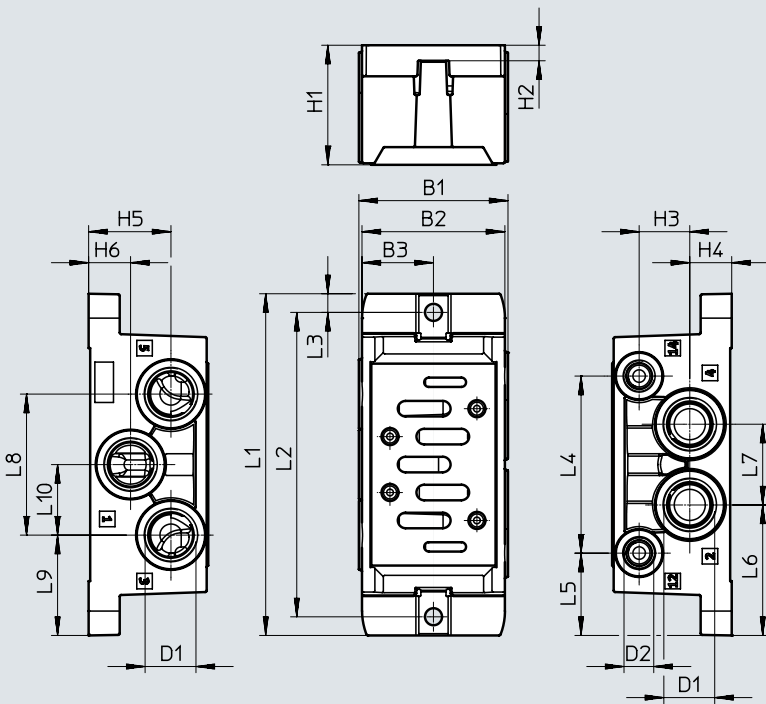
Download CAD data → [www.festo.com](http://www.festo.com)



Type	B1	D1	D2	D3	H1	H2	H4	H5	H6	L1	L2	L3	L4	L5
NAS-1/4-1A-ISO	48	G1/4	G1/8	5.5	32	10	9	20.3	20.3	110	98	23	60	46
NAS-3/8-2A-ISO	57	G3/8	G1/8	6.6	40	13	9	25	25	124	112	27	71	54
NAS-1/2-3A-ISO	71	G1/2	G1/8	6.6	32	18	9	16	16	149	136	32	91	64
NAS-3/4-4A-ISO	85	G3/4	G1/8	9	42	19	9	21	21	186	170	42	111	84

Dimensions – Sub-base VABS

Download CAD data → [www.festo.com](http://www.festo.com)



Type	B1	B2	B3	D1	D2	H1	H2	H3	H4	H5	H6
VABS-S1-1S-G38	48	46	23	G3/8	G1/8	38.5	5	16.3	13.5	26.5	13.5
VABS-S1-1S-N38				3/8 NPT	1/8 NPT						
VABS-S1-2S-G12	58	56	28	G1/2	G1/8	45	10	18	16	29	16
VABS-S1-2S-N12				1/2 NPT	1/8 NPT						

Type	L1	L2	L3	L4	L5	L6	L7	L8	L9	L10
VABS-S1-1S-G38	110	98	6	57	26.5	42	26	45.4	32.3	22.7
VABS-S1-1S-N38										
VABS-S1-2S-G12	124	112	6	72	26	46	32	55	34.5	27.5
VABS-S1-2S-N12										

## Accessories

Ordering data						
Designation to VDMA	Width	Pneumatic port		Weight [g]	Part no.	Type
		1, 2, 3, 4, 5	12, 14			
VDMA 24345-A-1	–	G1/4	G1/8	190	<b>9484</b>	<b>NAS-1/4-1A-ISO</b>
–	48 mm	G3/8	G1/8	230	<b>8032642</b>	<b>VABS-S1-1S-G38</b>
		3/8 NPT	1/8 NPT	230	<b>8032643</b>	<b>VABS-S1-1S-N38</b>
VDMA 24345-A-2	–	G3/8	G1/8	300	<b>11310</b>	<b>NAS-3/8-2A-ISO</b>
–	58 mm	G1/2	G1/8	380	<b>8032644</b>	<b>VABS-S1-2S-G12</b>
		1/2 NPT	1/8 NPT	380	<b>8032645</b>	<b>VABS-S1-2S-N12</b>
VDMA 24345-A-3	–	G1/2	G1/8	360	<b>10336</b>	<b>NAS-1/2-3A-ISO</b>
VDMA 24345-A-4	–	G3/4	G1/8	1260	<b>152813</b>	<b>NAS-3/4-4A-ISO</b>

† Note: This product corresponds to ISO 1179-1 and ISO 228-1.

## Accessories

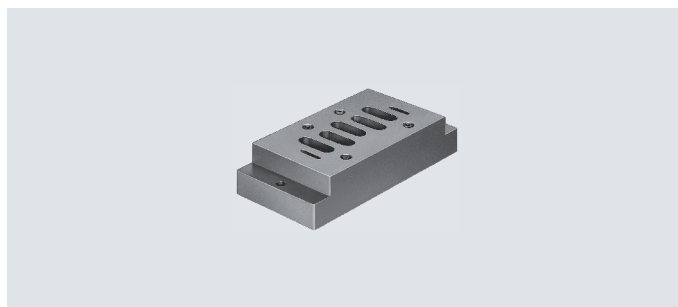
## Individual sub-base NAU

Connections underneath

Materials:

Die-cast aluminium

Anodised aluminium



## General technical data

Conforms to standard	ISO 5599-1
Type of mounting	Via through-hole

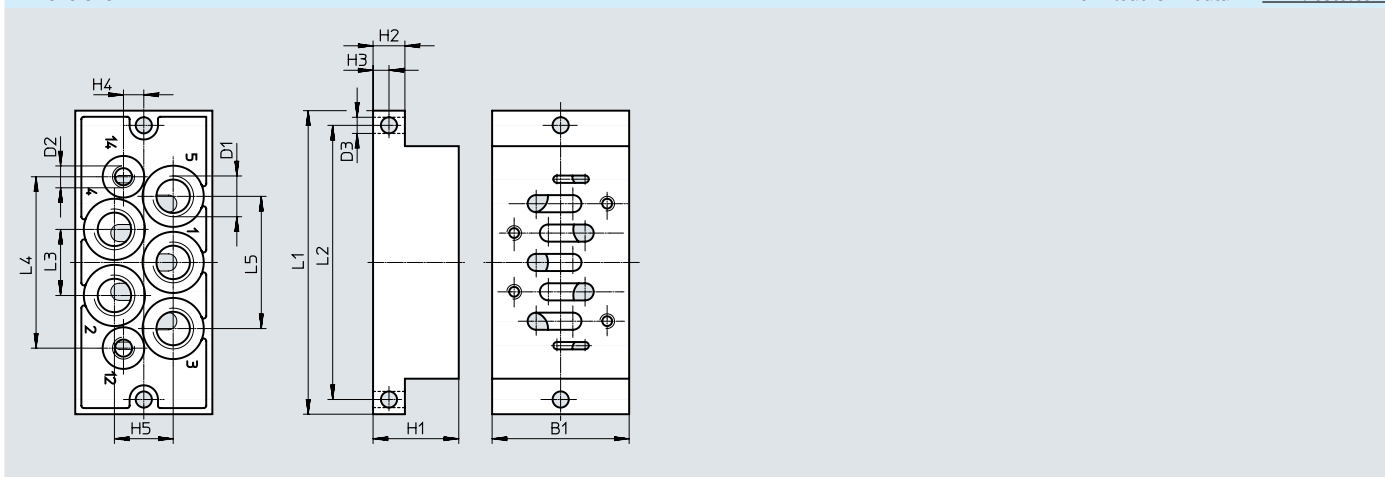
## Materials

Type	NAU-1/4	NAU-3/8	NAU-1/2	NAU-3/4
Sub-base	Die-cast aluminium			Anodised aluminium

## Operating and environmental conditions

Type	NAU-1/4	NAU-3/8	NAU-1/2	NAU-3/4
Certification	cUL - Recognized (OL)		-	-

## Dimensions

Download CAD data → [www.festo.com](http://www.festo.com)

Type	B1	D1	D2	D3	H1	H2	H3	H4	H5	L1	L2	L3	L4	L5
NAU-1/4-1B-ISO	46	G1/4	G1/8	5.5	30	10	5	7.5	20	110	98	23	60.7	46
NAU-3/8-2B-ISO	56	G3/8	G1/8	6.6	35	13	6.5	8.3	24	124	112	27	70	54
NAU-1/2-3B-ISO	71	G1/2	G1/8	6.6	32	18	9	10	30	149	136	33	90	66
NAU-3/4-4B-ISO	85	G3/4	G1/8	9	28	19	9.5	12	37	186	170	42	111	84

## Accessories

Ordering data Designation to VDMA	Pneumatic port		Weight [g]	Part no.	Type
	1, 2, 3, 4, 5	12, 14			
VDMA 24345-B-1	G1/4	G1/8	–	<b>9485</b>	<b>NAU-1/4-1B-ISO</b>
VDMA 24345-B-2	G3/8	G1/8	450	<b>11416</b>	<b>NAU-3/8-2B-ISO</b>
VDMA 24345-B-3	G1/2	G1/8	660	<b>10337</b>	<b>NAU-1/2-3B-ISO</b>
VDMA 24345-B-4	G3/4	G1/8	1080	<b>152814</b>	<b>NAU-3/4-4B-ISO</b>

† Note: This product corresponds to ISO 1179-1 and ISO 228-1.

## Accessories

## Manifold sub-base

NAV

VABV

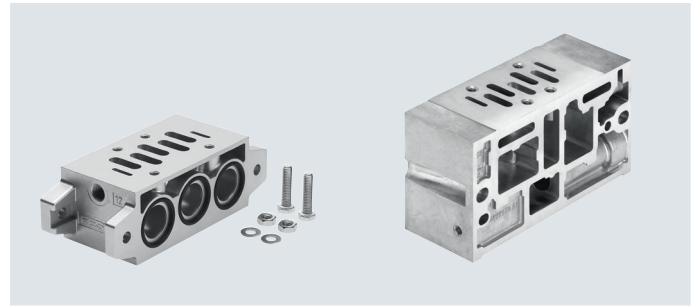
Connections underneath

Materials:

Die-cast aluminium

Anodised aluminium

Dimensions NAV → page122



General technical data					
Type	NAV-1/4	NAV-3/8	NAV-1/2	NAV-3/4	VABV
Conforms to standard	ISO 5599-1				–
Based on standard	–				ISO 5599-1
Maximum number of valve positions	–				1
Suitable for vacuum	–				Yes
Exhaust air function	–				Via throttle plate

Materials					
Type	NAV-1/4	NAV-3/8	NAV-1/2	NAV-3/4	VABV
Sub-base	Die-cast aluminium			Anodised aluminium	Die-cast aluminium
Note on materials	–			–	RoHS-compliant
LABS (PWIS) conformity	–			–	VDMA24364-B1/B2-L

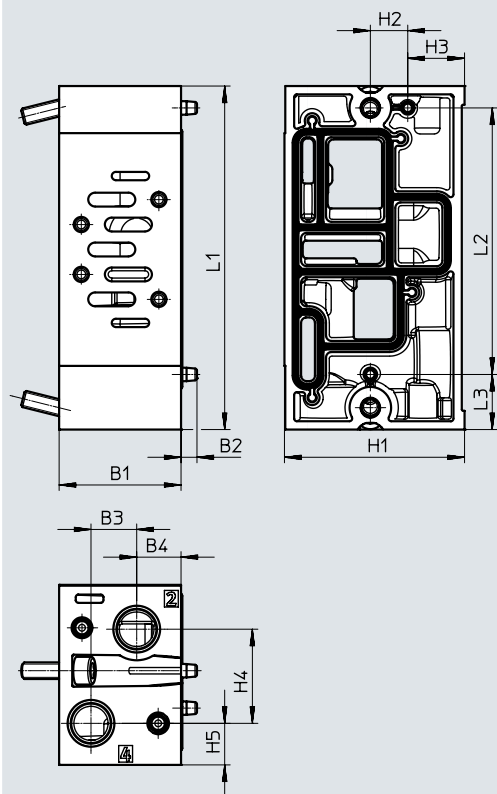
Operating and environmental conditions					
Type	NAV-1/4	NAV-3/8	NAV-1/2	NAV-3/4	VABV
Operating medium	–	–	–	–	Compressed air to ISO 8573-1:2010 [7:4:4]
Pilot medium	–	–	–	–	Compressed air to ISO 8573-1:2010 [7:4:4]
Note on the operating/pilot medium	–	–	–	–	Lubricated operation possible (required for further operation)
Operating pressure	[MPa]	–	–	–	0 ... 1
	[bar]	–	–	–	0 ... 10
Ambient temperature	[°C]	–	–	–	–10 ... +50
Temperature of medium	[°C]	–	–	–	–10 ... +50
Storage temperature	[°C]	–	–	–	–20 ... +60
Corrosion resistance class CRC <sup>1)</sup>	–	–	–	–	0 - no corrosion stress
CE marking (see declaration of conformity) <sup>2)</sup>	–	–	–	–	To EU Low Voltage Directive
Certification	–	UL – Recognized (OL)		–	–

1) For additional information [www.festo.com/x/topic/crc](http://www.festo.com/x/topic/crc)2) Additional information: [www.festo.com/catalogue/...](http://www.festo.com/catalogue/...) → Support/Downloads.

## Accessories

### Dimensions – VABV

Download CAD data → [www.festo.com](http://www.festo.com)



Type	B1	B2	B3	H1	H2	H3	H4	H5	L1	L2	L3
VABV-S1-1SB-G38	44	16.5	16	65	13.5	20.5	34	15	124	96.2	19.9
VABV-S1-1SB-N38											
VABV-S1-2SB-G12	59	19.5	22				35.5	14.5			
VABV-S1-2SB-N12											

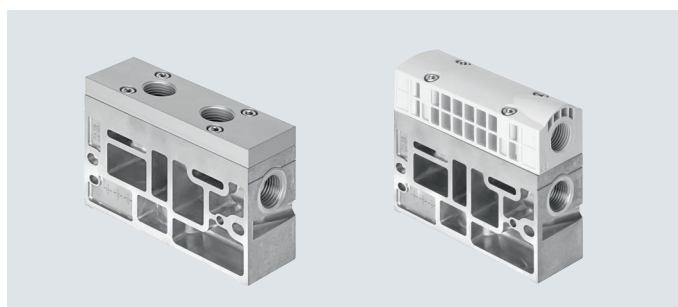
### Ordering data

Designation to VDMA	Width	Pneumatic port		Weight [g]	Part no.	Type
		2, 4	12, 14			
VDMA 24345-C-1	–	G1/4	G1/8	240	10173	NAV-1/4-1C-ISO
–	44 mm	G3/8	–	490	8029812	VABV-S1-1SB-G38
–	–	3/8 NPT	–	490	8029813	VABV-S1-1SB-N38
VDMA 24345-C-2	–	G3/8	G1/8	400	11305	NAV-3/8-2C-ISO
–	59 mm	G1/2	–	670	8029814	VABV-S1-2SB-G12
–	–	1/2 NPT	–	670	8029815	VABV-S1-2SB-N12
VDMA 24345-C-3	–	G1/2	G1/8	700	10175	NAV-1/2-3C-ISO
VDMA 24345-C-4	–	G3/4	G1/8	1400	11139	NAV-3/4-4C-ISO

## Accessories

## Supply plate VABF

Materials:  
Die-cast aluminium  
Wrought aluminium alloy  
PA



General technical data	
Based on standard	ISO 5599-1
Maximum number of valve positions	1
Suitable for vacuum	Yes
Exhaust air function	Via throttle plate

Materials		
Type	VABF-S1-1-P1A11	VABF-S1-1-P1A12
Exhaust air plate	Wrought aluminium alloy	PA
Supply plate	Anodised aluminium	Die-cast aluminium
Note on materials	RoHS-compliant	RoHS-compliant
LABS (PWIS) conformity	VDMA24364-B1/B2-L	VDMA24364-B1/B2-L

Operating and environmental conditions	
Operating medium	Compressed air to ISO 8573-1:2010 [7:4:4]
Pilot medium	Compressed air to ISO 8573-1:2010 [7:4:4]
Note on the operating/pilot medium	Lubricated operation possible (required for further operation)
Operating pressure	[MPa] 0 ... 1
	[bar] 0 ... 10
Ambient temperature	[°C] -10 ... +50
Temperature of medium	[°C] -10 ... +50
Storage temperature	[°C] -20 ... +60
Corrosion resistance class CRC <sup>1)</sup>	0 - no corrosion stress
CE marking (see declaration of conformity) <sup>2)</sup>	To EU Low Voltage Directive

1) For additional information [www.festo.com/x/topic/crc](http://www.festo.com/x/topic/crc)

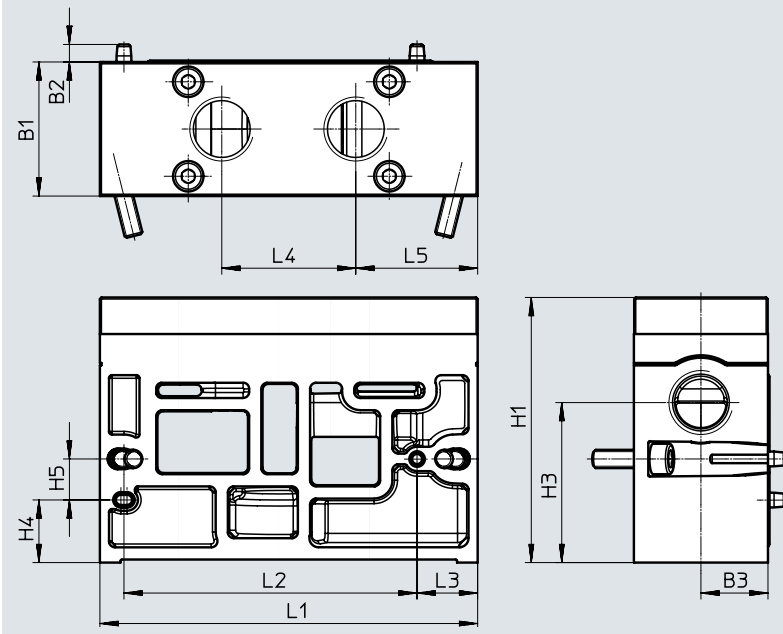
2) Additional information: [www.festo.com/catalogue/...](http://www.festo.com/catalogue/...) → Support/Downloads.

## Accessories

### Dimensions

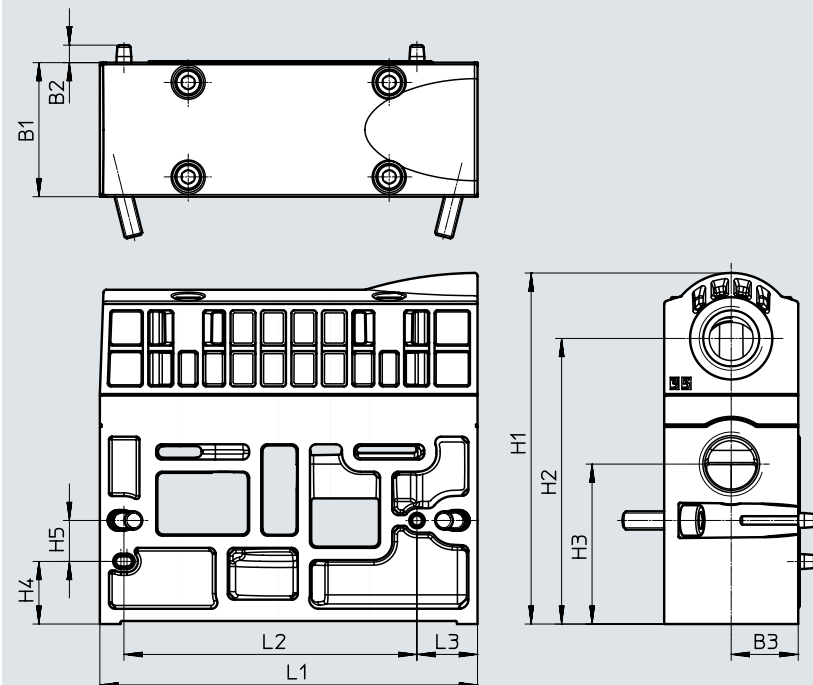
Download CAD data → [www.festo.com](http://www.festo.com)

Port 3 and 5 separated



Type	B1	B2	B3	H1	H3	H4	H5	L1	L2	L3	L4	L5
VABF-S1-1-P1A11	44	5.5	22	87	52.5	20.5	13.5	124	96.2	19.9	44	40

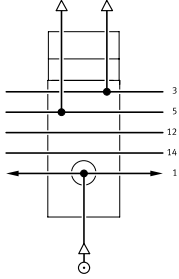
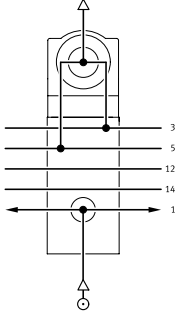
Port 3 and 5 combined



Type	B1	B2	B3	H1	H2	H3	H4	H5	L1	L2	L3
VABF-S1-1-P1A12	44	5.8	22	115.2	93.8	52.5	20.5	13.5	124	96.2	19.9



## Accessories

Ordering data		Pneumatic port	Weight [g]	Part no.	Type	
Width	Description					
44 mm		Port 3 and 5 separated	G1/2	660	<b>8037655</b>	<b>VABF-S1-1-P1A11-G12</b>
			1/2 NPT	660	<b>8037656</b>	<b>VABF-S1-1-P1A11-N12</b>
		Port 3 and 5 combined	G1/2	650	<b>8037653</b>	<b>VABF-S1-1-P1A12-G12</b>
			1/2 NPT	650	<b>8037654</b>	<b>VABF-S1-1-P1A12-N12</b>

## Accessories

### 90°-connection plate NAW

Ports on the side and on top

Materials:  
Die-cast aluminium  
Anodised aluminium

Dimensions → page 122



#### General technical data

Conforms to standard ISO 5599-1

#### Operating and environmental conditions

Type NAW-1/4 NAW-3/8 NAW-1/2 NAW-3/4

Sub-base material Die-cast aluminium Anodised aluminium

#### Ordering data

Designation to VDMA	Pneumatic port		Weight [g]	Part no.	Type
	2	4			
VDMA 24345-E-1	G1/4	G1/4	360	<b>11304</b>	<b>NAW-1/4-1E-ISO</b>
VDMA 24345-E-2	G3/8	G3/8	600	<b>11307</b>	<b>NAW-3/8-2E-ISO</b>
VDMA 24345-E-3	G1/2	G1/2	920	<b>11309</b>	<b>NAW-1/2-3E-ISO</b>
VDMA 24345-E-4	G3/4	G3/4	1550	<b>11141</b>	<b>NAW-3/4-4E-ISO</b>

### Manifold sub-base with 90° connections NAVW

Connections on the side and underneath

Materials:  
Die-cast aluminium

Dimensions → page 122



#### General technical data

Conforms to standard ISO 5599-1

#### Operating and environmental conditions

Operating medium Compressed air to ISO 8573-1:2010 [7:-:-]

#### Ordering data

Pneumatic port		Weight [g]	Part no.	Type
G1/4	G1/8	320	<b>152789</b>	<b>NAVW-1/4-1-ISO</b>
G3/8	G1/8	550	<b>152790</b>	<b>NAVW-3/8-2-ISO</b>
G1/2	G1/8	1020	<b>152791</b>	<b>NAVW-1/2-3-ISO</b>

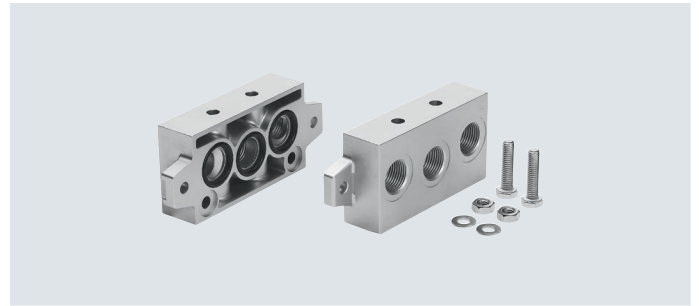
† Note: This product corresponds to ISO 1179-1 and ISO 228-1.

## Accessories

### End plate kit NEV

Materials:  
Die-cast aluminium  
Anodised aluminium

Dimensions NEV → page 122



#### General technical data

Conforms to standard	ISO 5599-1
----------------------	------------

#### Ordering data

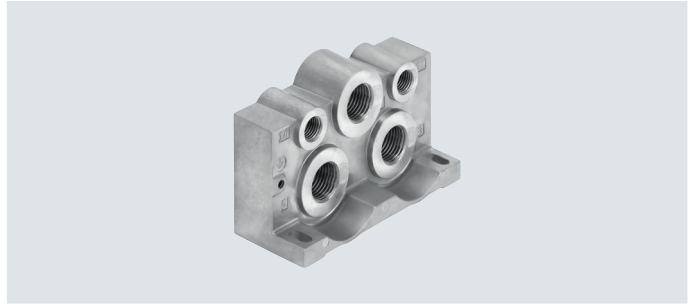
Designation to VDMA	Pneumatic port	Weight [g]	Part no.	Type
	1, 3, 5			
VDMA 24345-D-1	G3/8	280	<b>10174</b>	<b>NEV-1DA/DB-ISO</b>
VDMA 24345-D-2	G1/2	450	<b>11306</b>	<b>NEV-2DA/DB-ISO</b>
VDMA 24345-D-3	G1	760	<b>10176</b>	<b>NEV-3DA/DB-ISO</b>
VDMA 24345-D-4	G1	1390	<b>11140</b>	<b>NEV-4DA/DB-ISO</b>

† Note: This product corresponds to ISO 1179-1 and ISO 228-1.

## Accessories

## End plate VABE

Materials:  
Die-cast aluminium



## General technical data

Based on standard	ISO 5599-1
Suitable for vacuum	Yes
Exhaust air function	Via throttle plate
Type of mounting	With through-hole for M6 screw

## Materials

End plate	Die-cast aluminium
Note on materials	RoHS-compliant
LABS (PWIS) conformity	VDMA24364-B1/B2-L

## Operating and environmental conditions

Operating medium	Compressed air to ISO 8573-1:2010 [7:4:4]
Pilot medium	Compressed air to ISO 8573-1:2010 [7:4:4]
Note on the operating/pilot medium	Lubricated operation possible (required for further operation)
Operating pressure	[MPa] 0 ... 1 [bar] 0 ... 10
Ambient temperature	[°C] -10 ... +50
Temperature of medium	[°C] -10 ... +50
Storage temperature	[°C] -20 ... +60
Corrosion resistance class CRC <sup>1)</sup>	0 - no corrosion stress
CE marking (see declaration of conformity) <sup>2)</sup>	To EU Low Voltage Directive

1) For additional information [www.festo.com/x/topic/crc](http://www.festo.com/x/topic/crc)

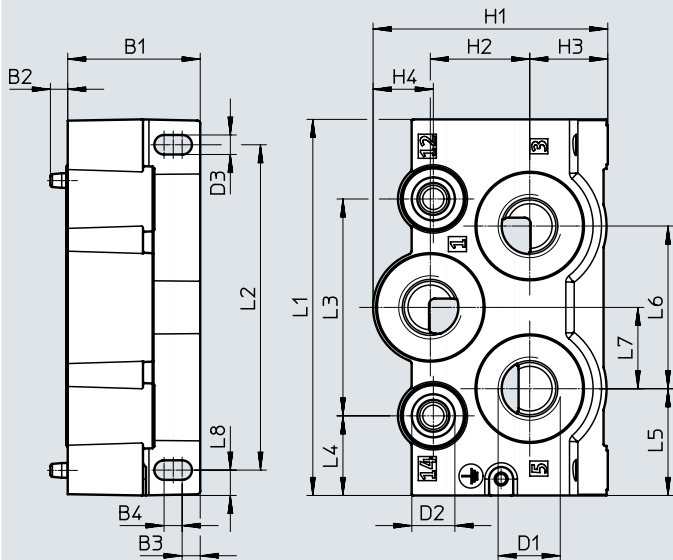
2) Additional information: [www.festo.com/catalogue/...](http://www.festo.com/catalogue/...) → Support/Downloads.

## Accessories

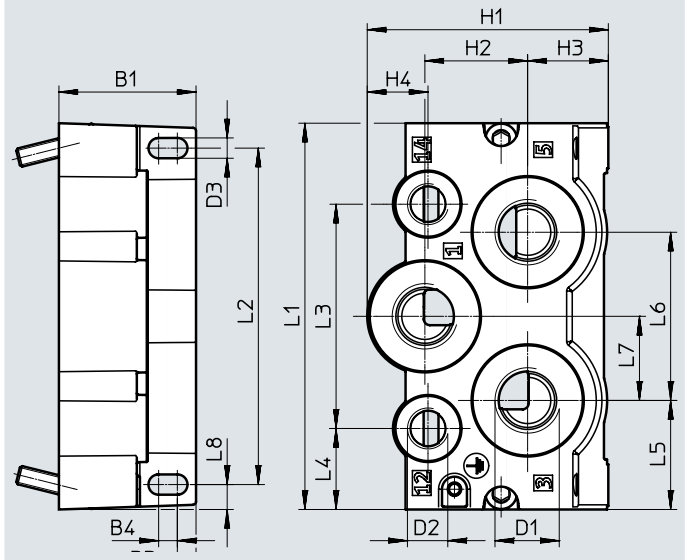
### Dimensions

Download CAD data → [www.festo.com](http://www.festo.com)

End plate, left



Right end plate



Type	B1	B2	B3	B4	D1	D2	D3	H1	H2	H3	H4	L1	L2	L3	L4	L5	L6	L7	L8
VABE-S1-1L...-G12	44	5.8	6	6	G1/2	-	6.5	77.9	33	25.9	20	124.9	108	72	26.4	35.4	54	27	8.4
VABE-S1-1LZ...-G12					G1/2	G1/4													
VABE-S1-1L...-N12					1/2 NPT	-													
VABE-S1-1LZ...-N12					1/2 NPT	1/4 NPT													
VABE-S1-2L...-G34					G3/4	-													
VABE-S1-2LZ...-G34					G3/4	G1/4													
VABE-S1-2L...-N34					3/4 NPT	-													
VABE-S1-2LZ...-N34					3/4 NPT	1/4 NPT													
VABE-S1-1R...-G12	44		6	6	G1/2	-	6.5	77.4	33	25.9	19.5	124	108	72	26	35	54	27	8
VABE-S1-1RZ...-G12					G1/2	G1/4													
VABE-S1-1R...-N12					1/2 NPT	-													
VABE-S1-1RZ...-N12					1/2 NPT	1/4 NPT													
VABE-S1-2R...-G34					G3/4	-													
VABE-S1-2RZ...-G34					G3/4	G1/4													
VABE-S1-2R...-N34					3/4 NPT	-													
VABE-S1-2RZ...-N34					3/4 NPT	1/4 NPT													

## Accessories

Ordering data							
Width	Pneumatic port		Weight [g]	Pilot air supply	Part no.	Type	
	1, 3, 5	12, 14					
<b>End plate, left</b>							
44 mm	G1/2	–	400	Internal	8032662	VABE-S1-1L-G12	
		G1/4		External	8032660	VABE-S1-1LZ-G12	
	1/2 NPT	–	400	Internal	8032663	VABE-S1-1L-N12	
		1/4 NPT		External	8032661	VABE-S1-1LZ-N12	
	G3/4	–	360	Internal	8032666	VABE-S1-2L-G34	
		G1/4		External	8032664	VABE-S1-2LZ-G34	
	3/4 NPT	–	360	Internal	8032667	VABE-S1-2L-N34	
		1/4 NPT		External	8032665	VABE-S1-2LZ-N34	
	<b>Right end plate</b>						
	44 mm	G1/2	–	410	Internal	8032670	VABE-S1-1R-G12
G1/4			External		8032668	VABE-S1-1RZ-G12	
1/2 NPT		–	410	Internal	8032671	VABE-S1-1R-N12	
		1/4 NPT		External	8032669	VABE-S1-1RZ-N12	
G3/4		–	370	Internal	8032674	VABE-S1-2R-G34	
		G1/4		External	8032672	VABE-S1-2RZ-G34	
3/4 NPT		–	370	Internal	8032675	VABE-S1-2R-N34	
		1/4 NPT		External	8032673	VABE-S1-2RZ-N34	

## Accessories

## Cover plate NDV

Materials:  
Width 42 mm, 52 mm, 65 mm:  
Steel

Width 76 mm:  
Wrought aluminium alloy

Dimensions → page 122



## General technical data

Conforms to standard	ISO 5599-1
----------------------	------------

## Operating and environmental conditions

Operating medium	Compressed air to ISO 8573-1:2010 [7:-:-]
Note on the operating/pilot medium	Lubricated operation possible (required for further operation)

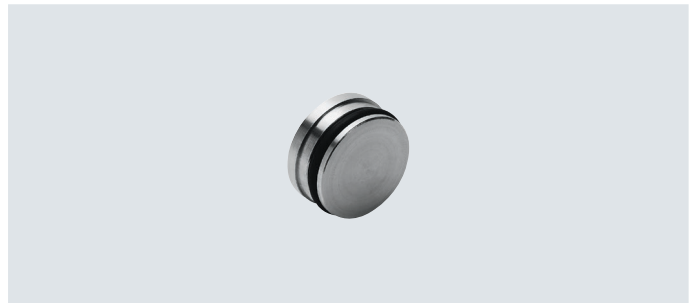
## Ordering data

Width	Weight [g]	Part no.	Type
42 mm	113	9489	NDV-1-ISO
52 mm	166	11308	NDV-2-ISO
65 mm	314	10340	NDV-3-ISO
76 mm	1480	11142	NDV-4-ISO

## Isolating disc NSC

Materials:  
Wrought aluminium alloy

Dimensions → 122



## General technical data

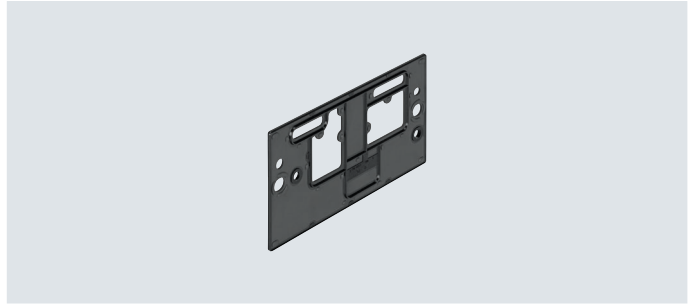
Conforms to standard	ISO 5599-1
----------------------	------------

## Ordering data

Width	Pneumatic port	Weight [g]	Part no.	Type
42 mm	G1/4	6	11550	NSC-1/4-1-ISO
52 mm	G3/8	9.2	11908	NSC-3/8-2-ISO
65 mm	G1/2	20	11551	NSC-1/2-3-ISO
76 mm	G3/4	24	11699	NSC-3/4-4-ISO

## Accessories

## Duct separation VABD

Materials:  
Steel, NBR

## General technical data

Based on standard	ISO 5599-1
Suitable for vacuum	Yes
Exhaust air function	Via throttle plate
Type of mounting	With through-hole for M6 screw

## Materials

Separator plate	Steel NBR
Note on materials	RoHS-compliant
LABS (PWIS) conformity	VDMA24364-B1/B2-L

## Operating and environmental conditions

Operating medium	Compressed air to ISO 8573-1:2010 [7:4:4]
Pilot medium	Compressed air to ISO 8573-1:2010 [7:4:4]
Note on the operating/pilot medium	Lubricated operation possible (required for further operation)
Operating pressure	[MPa] 0 ... 1
	[bar] 0 ... 10
Ambient temperature	[°C] -10 ... +50
Temperature of medium	[°C] -10 ... +50
Storage temperature	[°C] -20 ... +60
Corrosion resistance class CRC <sup>1)</sup>	0 - no corrosion stress
CE marking (see declaration of conformity) <sup>2)</sup>	To EU Low Voltage Directive

1) For additional information [www.festo.com/x/topic/crc](http://www.festo.com/x/topic/crc)2) Additional information: [www.festo.com/catalogue/...](http://www.festo.com/catalogue/...) → Support/Downloads.

## Ordering data

Duct separation	Weight [g]	Part no.	Type
Duct 1	60	<b>8029438</b>	<b>VABD-S1-1-P1-C</b>
Duct 3 and duct 5	70	<b>8029439</b>	<b>VABD-S1-1-P2-C</b>
Ducts 1, 3 and 5	75	<b>8029440</b>	<b>VABD-S1-1-P3-C</b>
Ducts 1, 3, 5, 12 and 14	75	<b>8029441</b>	<b>VABD-S1-1-P6-C</b>
Duct 12 and duct 14	60	<b>8036068</b>	<b>VABD-S1-1-P7-C</b>

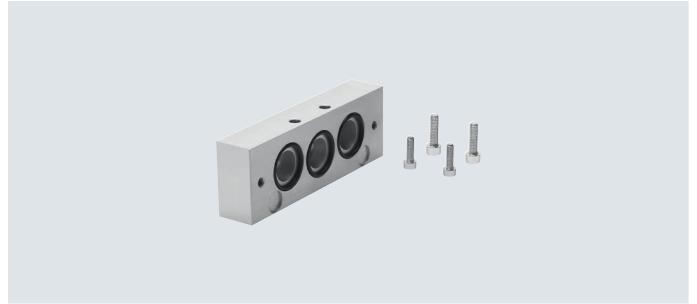


## Accessories

### Intermediate plate NZV

For connecting manifold sub-bases of different sizes

Materials:  
Die-cast aluminium, anodised



#### General technical data

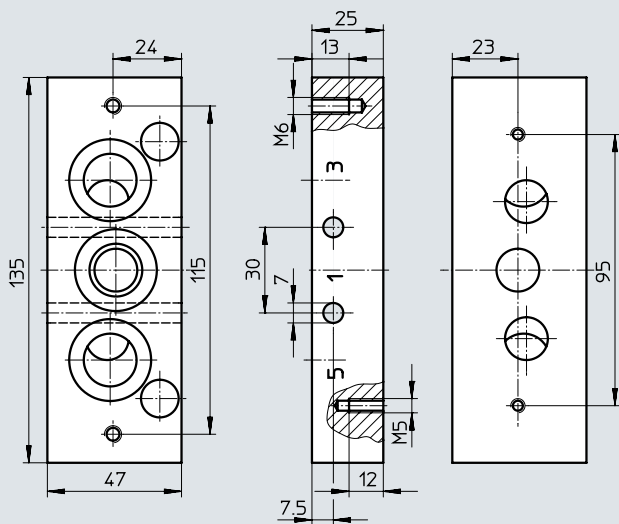
Based on standard

ISO 5599-1

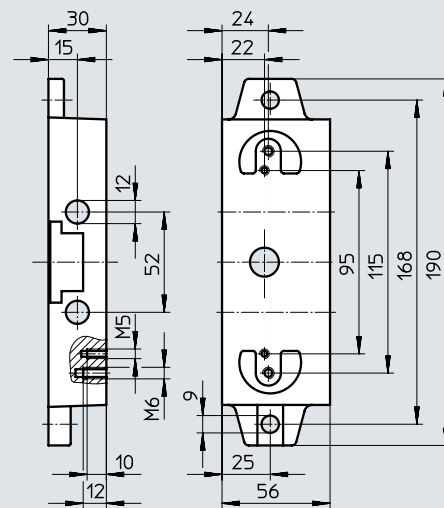
#### Dimensions

Download CAD data → [www.festo.com](http://www.festo.com)

##### NZV-1-2



##### NZV-3-2/1



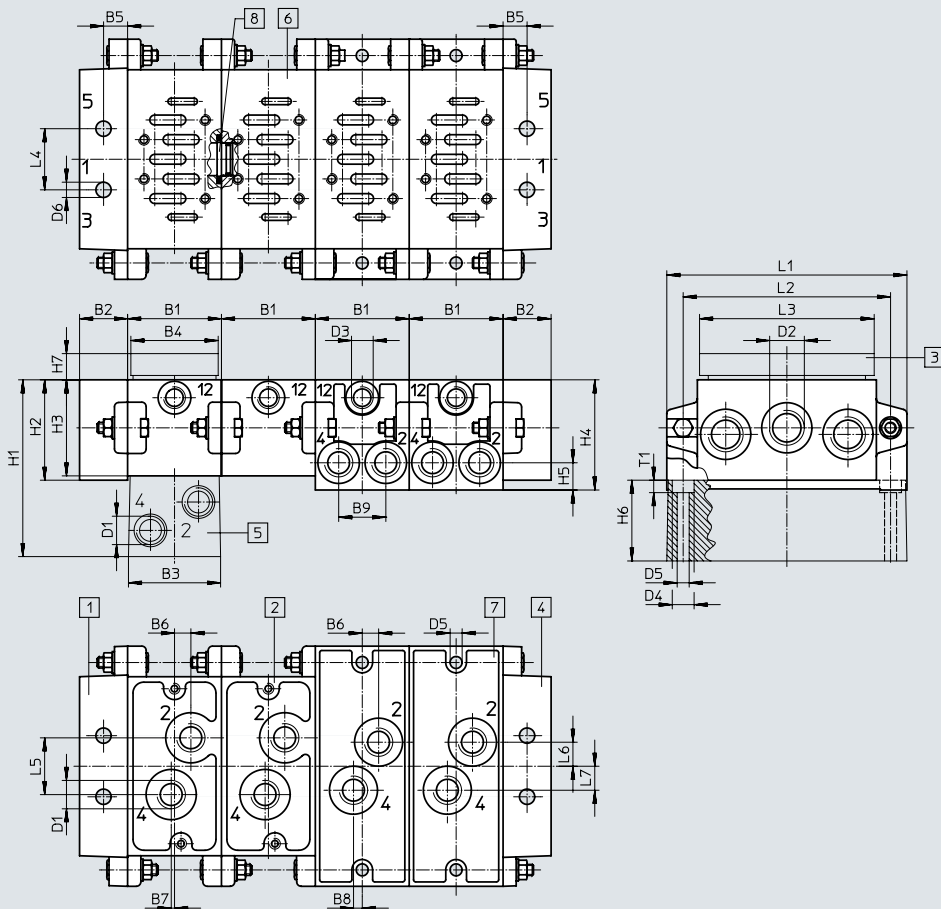
#### Ordering data

	Weight [g]	Part no.	Type
For manifold sub-bases of width 42 mm, 52 mm	393	<b>164940</b>	<b>NZV-1-2</b>
For manifold sub-bases of width 42 mm and 65 mm or 52 mm and 65 mm	473	<b>12911</b>	<b>NZV-3-2/1</b>

Accessories

Dimensions – Manifold assembly

Download CAD data → [www.festo.com](http://www.festo.com)



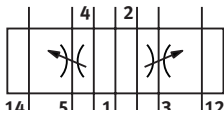
- [1] Left end plate, end plate kit NEV
- [2] Manifold sub-base NAV
- [3] Cover plate NDV
- [4] Right end plate, end plate kit NEV
- [5] 90°-connection plate NAW
- [6] Port pattern to ISO 5599-1
- [7] Manifold sub-base with 90° connections NAWW
- [8] Isolating disc NSC

Width	B1	B2	B3	B4	B5	B6	B7	B8	B9	D1	D2	D3	D4 ∅	D5 ∅	D6 ∅
42 mm	43	22	42	40	11	7.5	1.5	4	21.6	G1/4	G3/8	G1/8	10	5.5	7
52 mm	56	26	55	50	13	6	5	6	27	G3/8	G1/2	G1/8	11	6.6	9
65 mm	71	30	70	70	15	8	6	6	35.5	G1/2	G1	G1/8	15	9	12
76 mm	82	30	80	80	15	9	8	-	-	G3/4	G1	G1/8	15	9	12

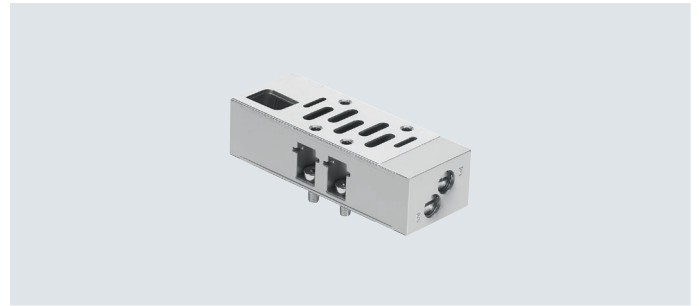
Width	H1	H2	H3	H4	H5	H6	H7	L1	L2	L3	L4	L5	L6	L7	T1
42 mm	81	46	44	50.5	12.5	37	5	110	95	80	28	26	11	11	5.7
52 mm	85	47	45	60	15	40	5	135	115	96	35	30	15	14	6.8
65 mm	99	56	54	66	17.5	45	5	190	168	120	52	38	19	19	9
76 mm	120	58	55	-	-	65	5	215	184	-	56	52	-	-	9

† Note: This product corresponds to ISO 1179-1 and ISO 228-1.

## Accessories



Exhaust air flow control for 3 and 5.

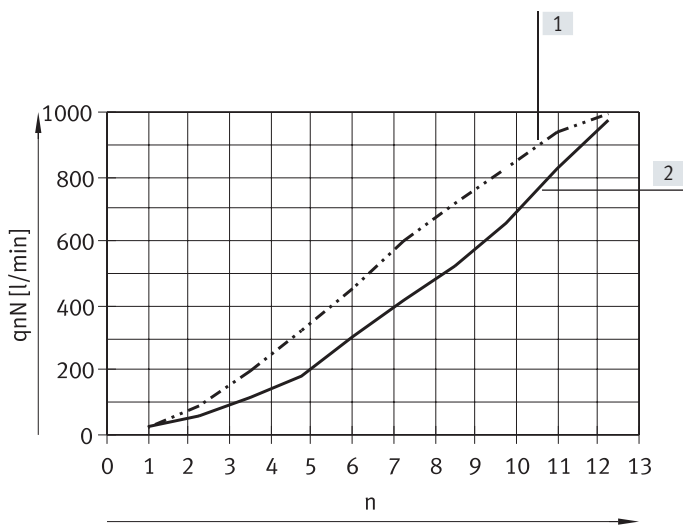


General technical data				
Type	VABF-S1-1-F1B1-C	VABF-S1-2-F1B1-C	GRO-ZP-3-ISO	
Based on standard	ISO 5599-1			
Pneumatic vertical stacking	Throttle plate, exhaust air flow control			
Mounting position	Any			
Type of mounting	Via through-hole			
Standard nominal flow rate	[l/min]	1100	–	1500
Degree of protection		IP65	IP65	–
		NEMA4	NEMA4	–
Materials				
Housing	Die-cast aluminium			
Note on materials	RoHS-compliant			
Operating and environmental conditions				
Type	VABF-S1-1-F1B1-C	VABF-S1-2-F1B1-C	GRO-ZP-3-ISO	
Operating medium	Compressed air to ISO 8573-1:2010 [7:4:4]		Compressed air to ISO 8573-1:2010 [7:--:--]	
Note on the operating/pilot medium	Lubricated operation possible (in which case lubricated operation will always be required)		Lubricated operation possible (in which case lubricated operation will always be required)	
Operating pressure	[MPa]	–0.09 ... +1	–0.09 ... +1	–
	[bar]	–0.9 ... +10	–0.9 ... +10	0 ... +16
Input pressure 1	[MPa]	–	+0.05 ... +1	–
	[bar]	–	+0.5 ... +10	–
	[psi]	–	7.25 ... 145	–
Ambient temperature	[°C]	–5 ... +50	–5 ... +50	–20 ... +80
Temperature of medium	[°C]	–	–	–20 ... +80

## Accessories

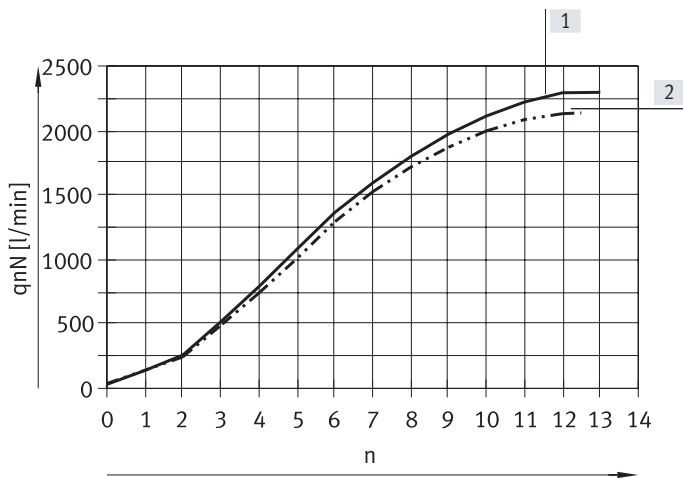
### Standard nominal flow rate $q_{nN}$ as a function of the turns $n$ of the regulating screw

VABF-S1-1-F1B1-C



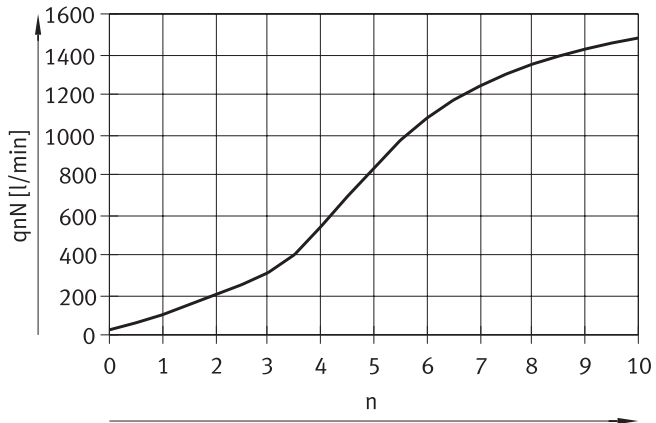
- [1] Flow control screw from 4 to 5
- [2] Flow control screw from 2 to 3

VABF-S1-2-F1B1-C



- [1] Flow control screw from 2 to 3
- [2] Flow control screw from 4 to 5

GRO-ZP-3-ISO

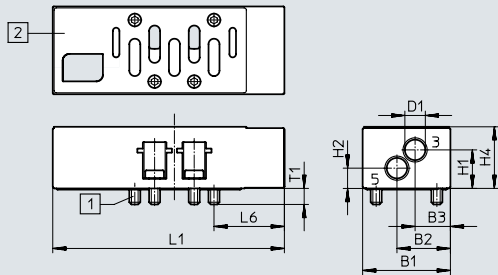


## Accessories

### Dimensions

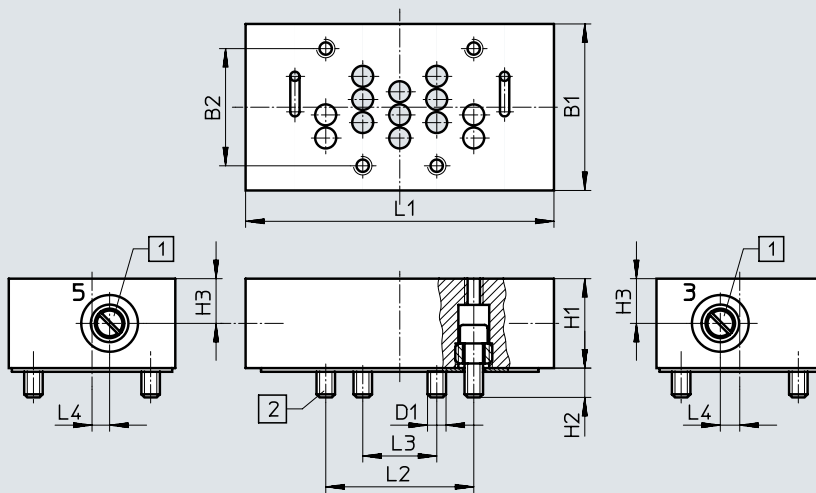
Download CAD data → [www.festo.com](http://www.festo.com)

VABF-S1...



- [1] Captive retaining screws
- [2] Port pattern to ISO 5599-1

GRO-ZP-3-ISO



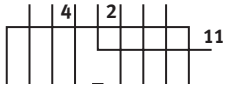
- [1] Adjusting screw for flow control
- [2] Captive retaining screws

Type	Width	B1	B2	B3	D1	H1	H2	H3	H4	L1	L2	L3	L5	L6	T1
VABF-S1-1-F1B1-C	42 mm	39.9	24.3	16.1	9.3	17.5	9.2	-	28	105.3	-	-	-	32	7.3
VABF-S1-2-F1B1-C	52 mm	52	32.5	22.5	13.4	29.5	13.5	-	45	131	-	-	-	40.9	10
GRO-ZP-3-ISO	65 mm	70	48	-	M8	33	12	16.5	-	132	64	32	7	-	-

### Ordering data

Circuit symbol	Description	Width	Weight [g]	Part no.	Type
	Exhaust air flow control valve	42 mm	220	<b>549102</b>	<b>VABF-S1-1-F1B1-C</b>
		52 mm	565	<b>555788</b>	<b>VABF-S1-2-F1B1-C</b>
		65 mm	850	<b>119674</b>	<b>GRO-ZP-3-ISO</b>

## Accessories



Alternative compressed air supply for port 1 of the mounted valve.



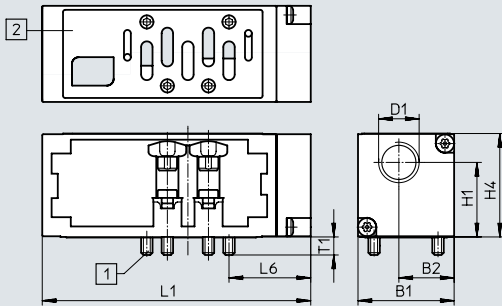
General technical data		
Type	VABFS1-1-P1A3-G38	VABFS1-2-P1A3-G12
Based on standard	ISO 5599-1	
Pneumatic vertical stacking	Alternative compressed air supply for 1	
Mounting position	Any	
Type of mounting	On individual sub-base, on manifold sub-base	
Standard nominal flow rate	[l/min]	1300
Pneumatic port 1	G3/8	G1/2
Degree of protection	IP65	IP65
	NEMA4	NEMA4

Materials	
Housing	Die-cast aluminium
Note on materials	RoHS-compliant

Operating and environmental conditions			
Type		VABFS1-1-P1A3-G38	VABFS1-2-P1A3-G12
Operating medium		Compressed air to ISO 8573-1:2010 [7:4:4]	
Note on the operating/pilot medium		Lubricated operation possible (required for further operation)	
Operating pressure	[MPa]	-0.09 ... +1	-0.09 ... +1
	[bar]	-0.9 ... +10	-0.9 ... +10
Input pressure 1	[MPa]	-	+0.05 ... +1
	[bar]	-	+0.5 ... +10
	[psi]	-	7.25 ... 145
Ambient temperature	[°C]	-5 ... +50	-5 ... +50

## Accessories

## Dimensions

Download CAD data → [www.festo.com](http://www.festo.com)

[1] Captive screws

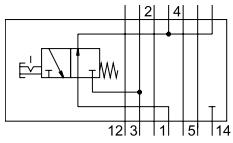
[2] Port pattern to ISO 5599-1

Type	B1	B2	D1	H1	H4	L1	L6	T1
VABF-S1-1-P1A3-G38	42.1	24.2	G3/8	32.7	45.3	117.6	35.8	7.9
VABF-S1-2-P1A3-G12	54	31	G1/2	42.4	58.9	136	38	10

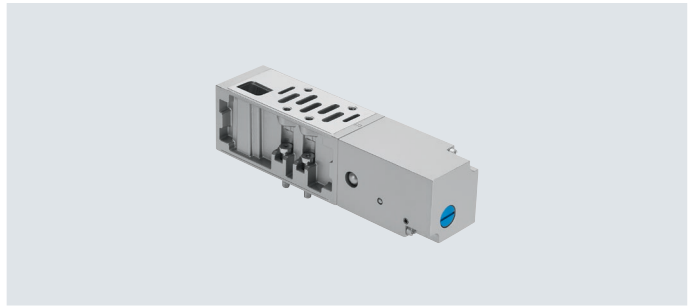
## Ordering data

Circuit symbol	Description	Width	Standard nominal flow rate [l/min]	Weight [g]	Part no.	Type
	Vertical supply plate	42 mm	1300	340	<b>549100</b>	<b>VABF-S1-1-P1A3-G38</b>
		52 mm	2800	605	<b>555785</b>	<b>VABF-S1-2-P1A3-G12</b>

## Accessories



Vertical pressure shut-off plate for blocking duct 1 and duct 14 upstream of a valve.



### General technical data

Type	VABFS1-1-L1D1-C	VABFS1-2-L1D1-C
Based on standard	ISO 5599-1	
Pneumatic vertical stacking	Shut-off for 1	Alternative compressed air supply for 1
Mounting position	Any	
Type of mounting	On individual sub-base, on manifold sub-base	
Standard nominal flow rate	[l/min]	
	1200	1950
Pneumatic port 1	G3/8	G1/2
Degree of protection	IP65	IP65
	NEMA4	NEMA4

### Materials

Housing	Die-cast aluminium
Note on materials	RoHS-compliant

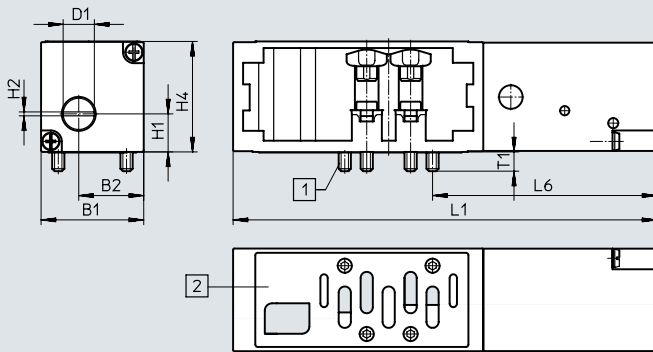
### Operating and environmental conditions

Type	VABFS1-1-L1D1-C	VABFS1-2-L1D1-C
Operating medium	Compressed air to ISO 8573-1:2010 [7:4:4]	
Note on the operating/pilot medium	Lubricated operation possible (required for further operation)	
Operating pressure	[MPa]	-0.09 ... +1
	[bar]	-0.9 ... +10
Input pressure 1	[MPa]	-
	[bar]	-
	[psi]	-
Ambient temperature	[°C]	-5 ... +50



## Accessories

## Dimensions

Download CAD data → [www.festo.com](http://www.festo.com)

[1] Captive screws

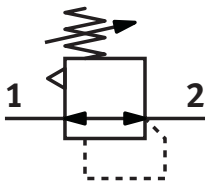
[2] Port pattern to ISO 5599-1

Type	B1	B2	D1	H1	H2	H4	L1	L6	T1
VABF-S1-1-L1D1-C	42.1	26.7	12.8	15.6	1.6	45.3	173.8	92	7.9
VABF-S1-2-L1D1-C	54	32.6	14	21.3	1.6	58.7	191.2	93.2	10

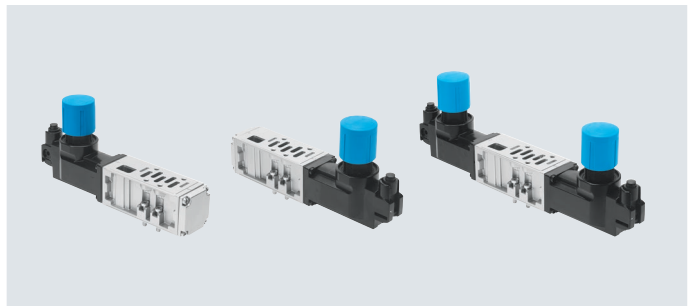
## Ordering data

Circuit symbol	Description	Width	Standard nominal flow rate [l/min]	Weight [g]	Part no.	Type
	Vertical pressure shut-off plate	42 mm	1200	600	<b>549103</b>	<b>VABF-S1-1-L1D1-C</b>
		52 mm	1950	1030	<b>555790</b>	<b>VABF-S1-2-L1D1-C</b>

## Accessories



The pressure regulator enables a particular pressure in the regulated port to be set manually upstream or downstream of the valve.



General technical data				
Type		VABF-S1-1-R...	VABF-S1-2-R...	LR-ZP-...-3
Width	[mm]	42	52	65
Based on standard		ISO 5599-1	ISO 5599-1	ISO 5599-1
Pneumatic vertical stacking		Pressure regulator	Pressure regulator	Pressure regulator
Design		–	–	Piston
Regulator function		Output pressure constant	Output pressure constant	–
		With secondary exhausting	With secondary exhausting	–
Mounting position		Any	Any	–
Type of mounting		On individual sub-base	On individual sub-base	–
		On manifold sub-base	On manifold sub-base	–
Optional pressure gauge		possible	possible	–
Pressure gauge connection		With retaining clamp	With retaining clamp	–
Degree of protection		IP65	IP65	–
		NEMA4	NEMA4	–

Materials				
Type		VABF-S1-1-R...	VABF-S1-2-R...	LR-ZP-...-3
Regulator housing		Die-cast aluminium	Die-cast aluminium	Die-cast aluminium, steel
Control unit		PA	PA	–
Seals		–	–	NBR
Note on materials		RoHS-compliant	RoHS-compliant	RoHS-compliant
		Free of paint-wetting impairment substances	Free of paint-wetting impairment substances	Contains paint-wetting impairment substances

Operating and environmental conditions				
Type		VABF-S1-1-R...	VABF-S1-2-R...	LR-ZP-...-3
Operating medium		Compressed air to ISO 8573-1:2010 [7:4:4]		–
Note on the operating/pilot medium		Lubricated operation possible (in which case lubricated operation will always be required)		–
Input pressure 1	[MPa]	0.05 ... 1	0.05 ... 1	–
	[bar]	+0.5 ... +10	+0.5 ... +10	Max. 14
	[psi]	7.25 ... 145	7.25 ... 145	–
Ambient temperature	[°C]	–5 ... +50	–5 ... +50	–
Certification		–	–	UL – Recognized (OL)

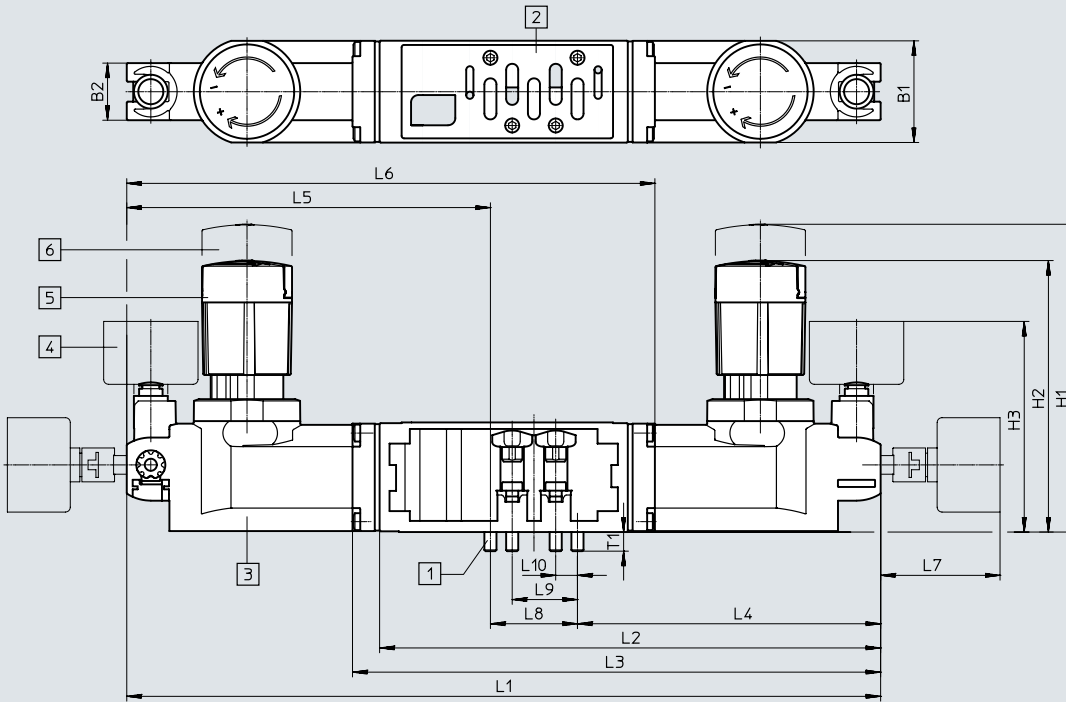
Product weight				
Type		VABF-S1-1-R...	VABF-S1-2-R...	LR-ZP-...-3
Regulated port	1	640 g	1190 g	1220 g
	2	640 g	1230 g	1220 g
	4	640 g	1230 g	1220 g
	2 and 4	920 g	1990 g	1770 g

Accessories

Dimensions

Download CAD data → [www.festo.com](http://www.festo.com)

VABF-S1-1-..., VABF-S1-2-...



- [1] Captive retaining screws
- [2] Port pattern to ISO 5599-1
- [3] Regulator housing
- [4] Pressure gauge
- [5] Regulator knob, locked
- [6] Regulator knob during pressure adjustment

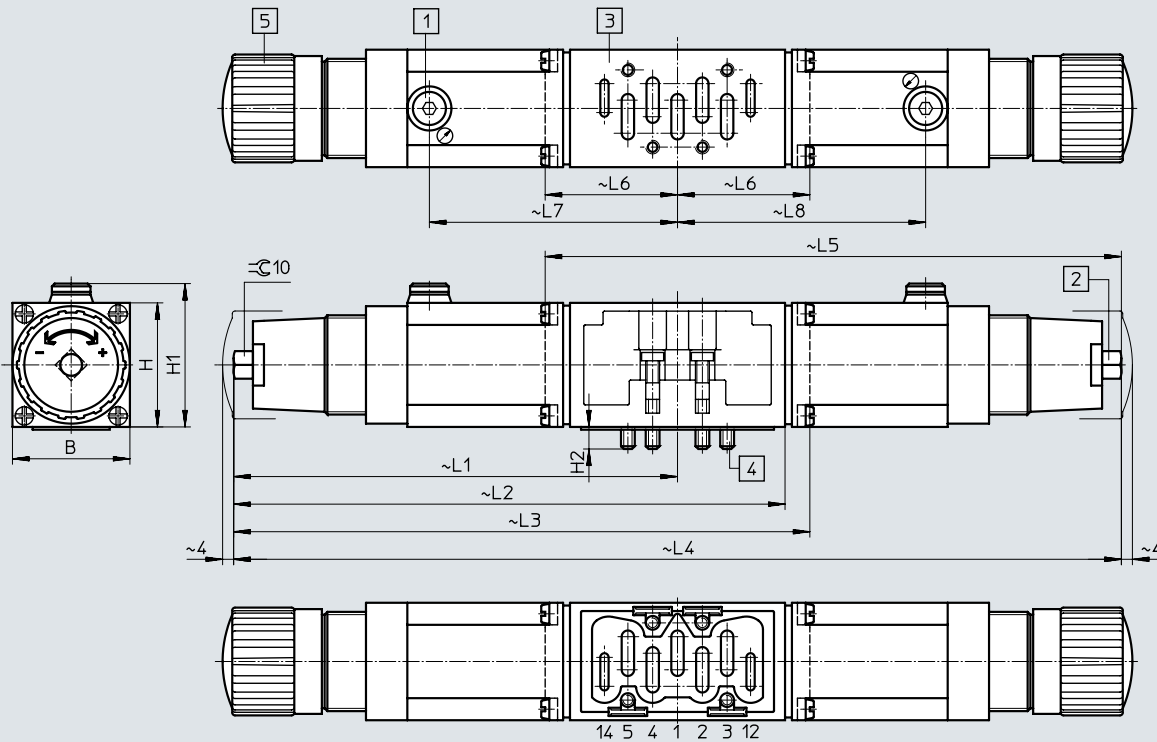
Type	B1	B2	H1	H2	H3	L1	L2	L3	L4	L5	L6	L7	L8	L9	L10	T1
<b>Regulator plate, width 42 mm</b>																
VABF-S1-1-R1...	42.1	23.6	115	112	87.1	-	207.1	-	125.3	-	-	49.4	36	27	9	7.9
VABF-S1-1-R2...						-	-	216.2	125.3	-	-					
VABF-S1-1-R3...						-	-	-	125.3	150.3	216.1					
VABF-S1-1-R4...						311.6	-	-	-	-	-					
VABF-S1-1-R5...						311.6	-	-	-	-	-					
VABF-S1-1-R6...						-	-	216.2	125.3	-	-					
VABF-S1-1-R7...						-	-	-	125.3	150.3	216.1					
<b>Regulator plate, width 52 mm</b>																
VABF-S1-2-R1...	54	23.6	182	167	94.4	-	250.2	-	152.2	-	-	49.4	48	38	12	10
VABF-S1-2-R2...						-	-	264.2	152.2	-	-					
VABF-S1-2-R3...						-	-	-	152.2	180.2	264.2					
VABF-S1-2-R4...						380.4	-	-	-	-	-					
VABF-S1-2-R5...						380.4	-	-	-	-	-					
VABF-S1-2-R6...						-	-	264.2	152.2	-	-					
VABF-S1-2-R7...						-	-	-	152.2	180.2	264.2					

Accessories

Dimensions

Download CAD data → [www.festo.com](http://www.festo.com)

LR-ZP-...-3



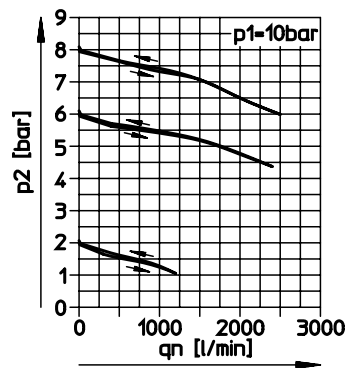
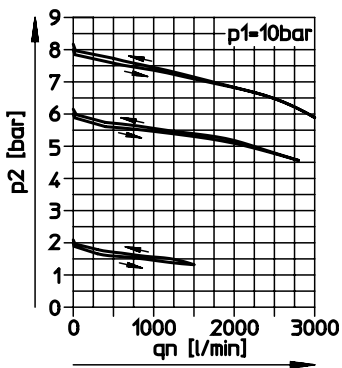
- [1] Pressure gauge connection G1/8
- [2] Adjusting screw
- [3] Port pattern to ISO 5599-1
- [4] Captive retaining screws
- [5] Rotary knob

Type	B	H	H1	H2	L1	L2	L3	L4	L5	L6	L7	L8
<b>Regulator plate, width 65 mm</b>												
LR-ZP-P-D-3	70	63	65	14	201.5	–	274	–	–	–	119	–
LR-ZP-B-D-3					201.5	–	–	–	274	72.5	–	119
LR-ZP-A-D-3					201.5	–	–	403	–	–	119	119
LR-ZP-A/B-D-3					201.5	260	–	–	–	–	119	–

Flow rate  $q_n$  as a function of output pressure  $p_2$

LR-ZP-A-D-3, LR-ZP-B-D-3, LR-ZP-A/B-D-3

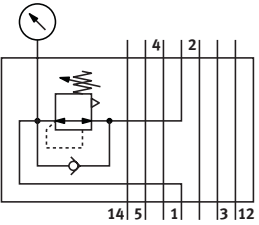
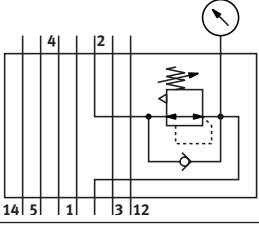
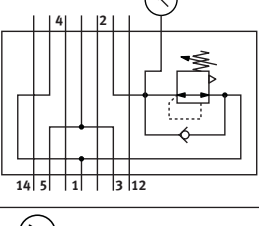
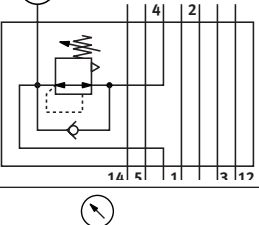
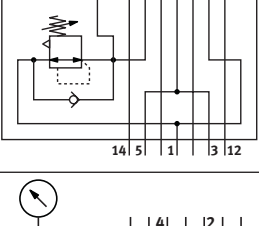
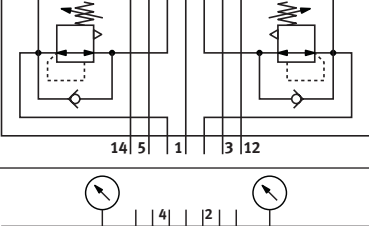
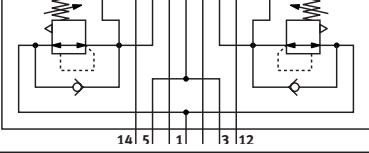
LR-ZP-P-D-3



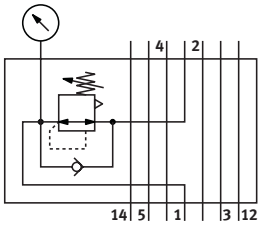
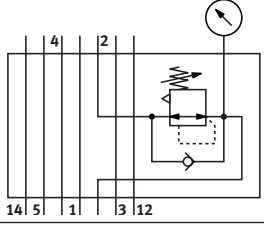
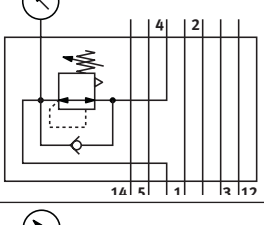
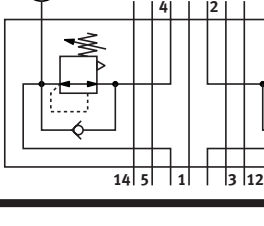
## Accessories

Ordering data	Regulated port	Regulator	Control range	Part no.	Type
<b>Regulator plate, width 42 mm</b>					
	1	P	0.05 ... 0.6 MPa 0.5 ... 6 bar 7.25 ... 87 psi	546817	VABF-S1-1-R1C2-C-6
			0.05 ... 1 MPa 0.5 ... 10 bar 7.25 ... 145 psi	546818	VABF-S1-1-R1C2-C-10
	2	B	0.05 ... 0.6 MPa 0.5 ... 6 bar 7.25 ... 87 psi	546821	VABF-S1-1-R2C2-C-6
			0.05 ... 1 MPa 0.5 ... 10 bar 7.25 ... 145 psi	546822	VABF-S1-1-R2C2-C-10
	2, reversible	B	0.05 ... 0.6 MPa 0.5 ... 6 bar 7.25 ... 87 psi	546827	VABF-S1-1-R6C2-C-6
			0.05 ... 1 MPa 0.5 ... 10 bar 7.25 ... 145 psi	546828	VABF-S1-1-R6C2-C-10
	4	A	0.05 ... 0.6 MPa 0.5 ... 6 bar 7.25 ... 87 psi	546819	VABF-S1-1-R3C2-C-6
			0.05 ... 1 MPa 0.5 ... 10 bar 7.25 ... 145 psi	546820	VABF-S1-1-R3C2-C-10
	4, reversible	A	0.05 ... 0.6 MPa 0.5 ... 6 bar 7.25 ... 87 psi	546829	VABF-S1-1-R7C2-C-6
			0.05 ... 1 MPa 0.5 ... 10 bar 7.25 ... 145 psi	546830	VABF-S1-1-R7C2-C-10
	2 and 4	AB	0.05 ... 0.6 MPa 0.5 ... 6 bar 7.25 ... 87 psi	546823	VABF-S1-1-R4C2-C-6
			0.05 ... 1 MPa 0.5 ... 10 bar 7.25 ... 145 psi	546824	VABF-S1-1-R4C2-C-10
	2 and 4, reversible	AB	0.05 ... 0.6 MPa 0.5 ... 6 bar 7.25 ... 87 psi	546825	VABF-S1-1-R5C2-C-6
			0.05 ... 1 MPa 0.5 ... 10 bar 7.25 ... 145 psi	546826	VABF-S1-1-R5C2-C-10

Accessories

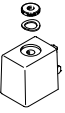
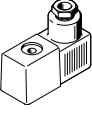
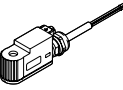
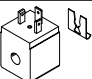
Ordering data	Regulated port	Regulator	Control range	Part no.	Type
<b>Regulator plate, width 52 mm</b>					
	1	P	0.05 ... 0.6 MPa 0.5 ... 6 bar 7.25 ... 87 psi	555757	VABF-S1-2-R1C2-C-6
			0.05 ... 1 MPa 0.5 ... 10 bar 7.25 ... 145 psi	555758	VABF-S1-2-R1C2-C-10
	2	B	0.05 ... 0.6 MPa 0.5 ... 6 bar 7.25 ... 87 psi	555759	VABF-S1-2-R2C2-C-6
			0.05 ... 1 MPa 0.5 ... 10 bar 7.25 ... 145 psi	555760	VABF-S1-2-R2C2-C-10
	2, reversible	B	0.05 ... 0.6 MPa 0.5 ... 6 bar 7.25 ... 87 psi	555767	VABF-S1-2-R6C2-C-6
			0.05 ... 1 MPa 0.5 ... 10 bar 7.25 ... 145 psi	555768	VABF-S1-2-R6C2-C-10
	4	A	0.05 ... 0.6 MPa 0.5 ... 6 bar 7.25 ... 87 psi	555761	VABF-S1-2-R3C2-C-6
			0.05 ... 1 MPa 0.5 ... 10 bar 7.25 ... 145 psi	555762	VABF-S1-2-R3C2-C-10
	4, reversible	A	0.05 ... 0.6 MPa 0.5 ... 6 bar 7.25 ... 87 psi	555769	VABF-S1-2-R7C2-C-6
			0.05 ... 1 MPa 0.5 ... 10 bar 7.25 ... 145 psi	555770	VABF-S1-2-R7C2-C-10
	2 and 4	AB	0.05 ... 0.6 MPa 0.5 ... 6 bar 7.25 ... 87 psi	555763	VABF-S1-2-R4C2-C-6
			0.05 ... 1 MPa 0.5 ... 10 bar 7.25 ... 145 psi	555764	VABF-S1-2-R4C2-C-10
	2 and 4, reversible	AB	0.05 ... 0.6 MPa 0.5 ... 6 bar 7.25 ... 87 psi	555765	VABF-S1-2-R5C2-C-6
			0.05 ... 1 MPa 0.5 ... 10 bar 7.25 ... 145 psi	555766	VABF-S1-2-R5C2-C-10

## Accessories

Ordering data		Regulated port	Regulator	Control range	Part no.	Type
<b>Regulator plate, width 65 mm</b>						
	1	P	0 ... 12 bar	35968	LR-ZP-P-D-3	
	2	B	0.5 ... 12 bar	35426	LR-ZP-B-D-3	
	4	A	0.5 ... 12 bar	35971	LR-ZP-A-D-3	
	2, 4	AB	0.5 ... 12 bar	35429	LR-ZP-A/B-D-3	
<b>Ordering data – Accessories</b>						
		Width	Weight [g]	Part no.	Type	
Pressure gauge for intermediate pressure regulator plates LR-ZP		65 mm	64.5	345395	MA-40-16-1/8	


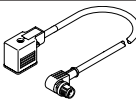
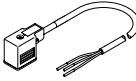

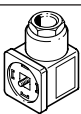
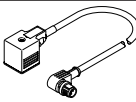
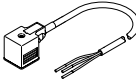

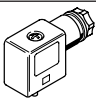
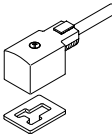

† Note: This product corresponds to ISO 1179-1 and ISO 228-1.

## Accessories


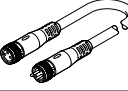
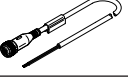
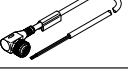

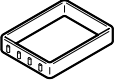
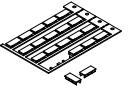





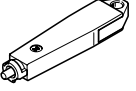
Ordering data	Description	Voltage	Cable length [m]	Part no.	Type
<b>Solenoid coil MSF</b>					
	Solenoid coil	12 V DC	–	34410	MSFG-12-OD
		24 V DC and 42 V AC, 50 ... 60 Hz	–	34411	MSFG-24/42-50/60-OD
		42 V DC	–	34413	MSFG-42-OD
		24 V AC	–	34415	MSFW-24-5 0/60-OD
		48 V AC, 50 ... 60 Hz	–	34418	MSFW-48-5 0/60-OD
		110 V AC, 50 ... 60 Hz and 120 V AC, 60 Hz	–	34420	MSFW-110-5 0/60-OD
		230 V AC, 50 ... 60 Hz and 240 V AC, 60 Hz	–	34422	MSFW-230-5 0/60-OD
		240 V AC, 50 ... 60 Hz	–	34424	MSFW-240-5 0/60-OD
	Solenoid coil with socket MSSD	12 V DC	–	4526	MSFG-12
		24 V DC and 42 V AC, 50 ... 60 Hz	–	4527	MSFG-2 4/42-5 0/60
		24 V AC	–	4534	MSFW-24-5 0/60
		110 V AC, 50 ... 60 Hz and 120 V AC, 60 Hz	–	6720	MSFW-110-5 0/60
		230 V AC, 50 ... 60 Hz and 240 V AC, 60 Hz	–	4540	MSFW-230-5 0/60
	Solenoid coil for ATEX environment	24 V DC	1	8059804	VACF-B-K1-1-1-EX4-M
			5	8059805	VACF-B-K1-1-5-EX4-M
		24 V AC, 50 ... 60 Hz	1	8059808	VACF-B-K1-1A-1-EX4-M
			5	8059812	VACF-B-K1-16B-5-EX4-M
		110 V AC, 50 ... 60 Hz	1	8059811	VACF-B-K1-16B-1-EX4-M
			5	8059812	VACF-B-K1-16B-5-EX4-M
		230 V AC, 50 ... 60 Hz	1	8059809	VACF-B-K1-3A-1-EX4-M
			5	8059810	VACF-B-K1-3A-5-EX4-M
<b>Solenoid coil MSN1</b>					
	Solenoid coil	24 V DC	–	123060	MSN1G-24DC-OD
		12 V DC and 24 V AC, 50 ... 60 Hz	–	170152	MSN1W-24AC/12DC
		110 V AC, 50 ... 60 Hz	–	123061	MSN1W-110AC-OD
		230 V AC, 50 ... 60 Hz	–	123062	MSN1W-230AC-OD



## Accessories

Ordering data						
	Description			Cable length [m]	Part no.	Type
<b>Electrical accessories for solenoid coil MSF</b>						
	Angled socket	Screw terminal	Cable fitting Pg9	–	34431	MSSD-F
			Cable fitting M16	–	59710	MSSD-F-M16
		Insulation displacement technology	Cable fitting M16	–	192746	MSSD-F-S-M16
	PUR cable sheath, connection technology M12x1 A-coded	24 AC/DC	<ul style="list-style-type: none"> <li>Signal status indication</li> <li>Protective circuit</li> </ul>	0.3	3679773	NEBV-B2W3F-P-K-0.3-N-M12W3
				0.6	3679774	NEBV-B2W3F-P-K-0.6-N-M12W3
		110 AC/DC	–	0.3	3579463	NEBV-B2W3-K-0.3-N-M12W3
				0.6	3579464	NEBV-B2W3-K-0.6-N-M12W3
	PUR cable sheath	24 AC/DC	<ul style="list-style-type: none"> <li>Signal status indication</li> <li>Protective circuit</li> </ul>	0.6	3679778	NEBV-B2W3F-P-K-0.6-N-LE3
				0.6	3579468	NEBV-B2W3-K-0.6-N-LE3
	PVC cable sheath	24 V DC	Signal status indication	2.5	30935	KMF-1-24DC-2.5-LED
				5	30937	KMF-1-24DC-5-LED
				10	193458	KMF-1-24DC-10-LED
				230 V AC	–	2.5
	Illuminating seal	12 ... 24 V DC	Signal status indication	–	19143	MF-LD-12-24DC
				230 V DC/V AC	–	19144
<b>Electrical accessories for solenoid coil MSN1 and MD</b>						
	Angled socket	Screw terminal	Cable fitting Pg9	–	34583	MSSD-C
			Cable fitting M16	–	539709	MSSD-C-M16
		Insulation displacement technology	Cable fitting M16	–	192748	MSSD-C-S-M16
	PUR cable sheath, connection technology M12x1 A-coded	24 AC/DC	<ul style="list-style-type: none"> <li>Signal status indication</li> <li>Protective circuit</li> </ul>	0.3	3679771	NEBV-A1W3F-P-K-0.3-N-M12W3
				0.6	3679772	NEBV-A1W3F-P-K-0.6-N-M12W3
		110 AC/DC	–	0.3	3579461	NEBV-A1W3-K-0.3-N-M12W3
				0.6	3579462	NEBV-A1W3-K-0.6-N-M12W3
	PUR cable sheath	24 AC/DC	<ul style="list-style-type: none"> <li>Signal status indication</li> <li>Protective circuit</li> </ul>	0.6	3679776	NEBV-A1W3F-P-K-0.6-N-LE3
				0.6	3579466	NEBV-A1W3-K-0.6-N-LE3
	PVC cable sheath	24 V DC	Signal status indication	2.5	30931	KMC-1-24DC-2.5-LED
				5	30933	KMC-1-24DC-5-LED
				10	193459	KMC-1-24DC-10-LED
				230 V AC	–	2.5
	Illuminating seal	12 ... 24 V DC	Signal status indication	–	19145	MC-LD-12-24DC
				230 V DC/V AC	–	19146
<b>Electrical accessories for valves with square plug type B to industry standard</b>						
	Angled socket	Via screw terminals	Cable fitting M16	–	539710	MSSD-F-M16
			Cable fitting Pg9	–	★ 34431	MSSD-F
		With insulation displacement connection	Cable fitting M16	–	192746	MSSD-F-S-M16
	PVC cable sheath	24 V DC	Signal status indication	2.5 m	★ 30935	KMF-1-24DC-2.5-LED
				5 m	30937	KMF-1-24DC-5-LED
				10 m	193458	KMF-1-24-10-LED
	Illuminating seal	24 V DC	Signal status indication	–	19143	MF-LD-12-24DC

## Accessories

Ordering data		Description	Part no.	Type
<b>Electrical accessories for valves with central plug</b>				
	Angled socket, M12, 4-pin, type A, screw terminal		12956	SIE-WD-TR
	Modular system for a choice of connecting cables → Internet: nebu	0.1 ... 30 m	–	NEBU-...
	Connecting cable, straight socket, M12x1, 5-pin, open cable end, 4-wire	2.5	550326	NEBU-M12G5-K-2.5-LE4
		5	541328	NEBU-M12G5-K-5-LE4
	Connecting cable, angled socket, M12x1, 5-pin, open cable end, 4-wire	2.5	550325	NEBU-M12W5-K-2.5-LE4
		5	541329	NEBU-M12W5-K-5-LE4
<b>Pressure gauge</b>				
	With cartridge connector, for pressure regulator	Display range 0 ... 16 bar	543487	PAGN-26-16-P10
		Display range 0 ... 10 bar	543488	PAGN-26-10-P10
<b>Seal</b>				
	Enables the valves with central plug M12, 3-pin, to be mounted on the sub-bases of the valve terminal VTS/VTSA-F		571343	VABD-S2-1-S-C
<b>Inscription label</b>				
	Inscription label for valves, pack size 24		161937	IBS-9x17
	Clip-on inscription label holder for valve cap, for valves with central plug M12, 3-pin		540888	ASCF-T-S6
<b>Manual override</b>				
	For manual override, non-detenting or covered	For valves with square plug type B to industry standard	8049538	VAMC-B10-20-CH2-S
	Cover cap for manual override, non-detenting	For valves with central plug M12, 3-pin	541010	VAMC-S6-CH
	Cover cap for manual override, concealed	For valves with central plug M12, 3-pin	541011	VAMC-S6-CS
	Heavy-duty cover cap for manual override, non-detenting, detenting via accessory	For valves with central plug M12, 3-pin	4105147	VAMC-B-S6-CTR
	Tool for manual override	For MN1H/MFH valves	157651	AHB-MD/MF/MV
		For heavy-duty cover cap, detenting position	1662543	AHB-MEB-B